

15" SIGNATURE SERIES BEER DISPENSER

HP15TS-3 | 15" INDOOR MODEL
HP15TO-3 | 15" OUTDOOR MODEL

Perlick[®]
QUALITY & INNOVATION
THAT **INSPIRES**



Solid Door Model



Dispensing Head Detail

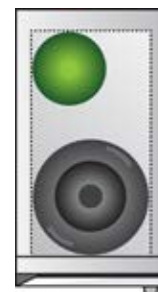


GENERAL SIGNATURE SERIES FEATURES

- Zero-clearance hinging allows for abutment with surrounding cabinetry
- Best in Class 525 Btu commercial-grade compressor
- Front-vented, RAPIDcool forced-air refrigeration system
- Commercial-grade stainless steel interior and exterior
- **Industry Exclusive** convertible door design allows all doors the ability to be converted to wood overlay from stainless steel
- **Industry Exclusive** adjustable, full-extension pull-out shelves (drawer models and beer dispenser excluded)
- State-of-the-art digital control module
- Optional door locks (factory installed)
- Indoor and outdoor models available
- Also available - 15" Refrigerator, Beverage Center, Wine Reserve and Clear Ice Maker
- 2.8 cubic feet of capacity
- Industry Best Three Year Warranty plus additional three years on sealed system

HP15TS-3/TO-3 FEATURES

- Available with solid stainless steel door or solid wood overlay door
- Comes standard with Perlick's industry exclusive 650SS flow control faucet
- Stores (1) 1/6 barrels
- Complete, self-contained beer system
- Portable drainer; no plumbing required
- Low profile coupler for "D" system keg valves included
- Beer Dispenser temperature 33°- 42°F



(1) 1/6 barrel

Form No.HP15T-3
Rev. 10.14.2014

PRODUCT SPECIFICATIONS

Overall Width	14-7/8" (37.78 cm.)
Overall Height	34-1/4" (86.96 cm.)
Overall Depth	24" (60.96 cm.)
Opening Width	15" (38.1 cm.)
Opening Height	34-3/8" (87.31 cm.)
Opening Depth	24" (60.96 cm.)
Refrigerated Volume	2.8 cu. ft.
Door Swing Clearance	16" (40.64 cm.) minimum
Electrical	115V, 60Hz, 1 Phase, 2.3 amps
Plumbing	None Required
Annual Energy Usage	280 kWh/yr
Shipping Weight	144 lbs (100.7 kg.)

INDOOR MODELS

HP15TS-3-1L* Solid stainless steel door, hinge left

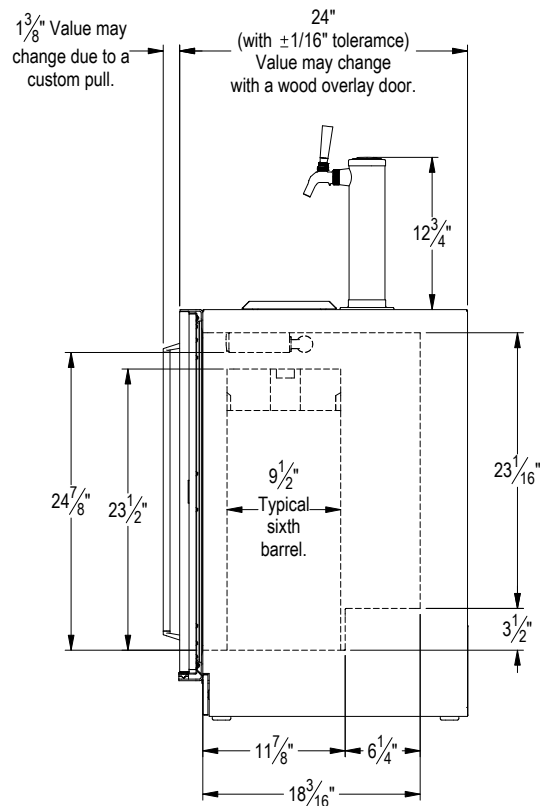
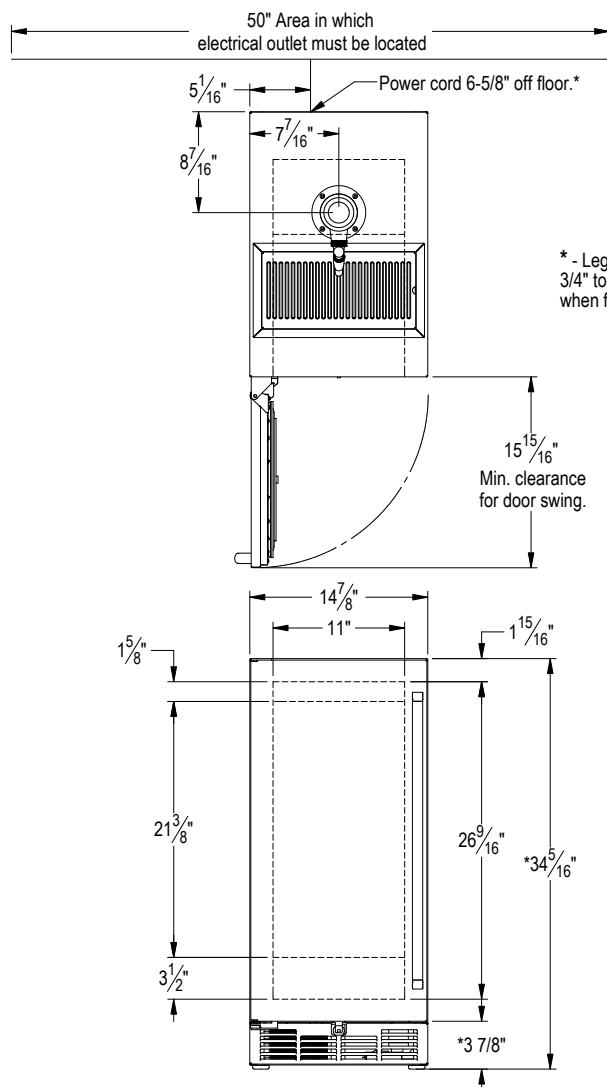
HP15TS-3-2L* Solid wood overlay door, hinge left

OUTDOOR MODELS

HP15TO-3-1L* Solid stainless steel door, hinge left

HP15TO-3-2L* Solid wood overlay door, hinge left

* Also available hinge right



Form No.HP15T-3
Rev. 10.14.2014