

24" C-SERIES REFRIGERATOR

HC24RB-3 | 24" INDOOR MODEL

HC24RO-3 | 24" OUTDOOR MODEL

Perlick[®]
QUALITY & INNOVATION
THAT **INSPIRES**



Indoor Glass Door Model



Outdoor Solid Door Model



GENERAL C-SERIES FEATURES

- Zero-clearance hinging allows for abutment with surrounding cabinetry
- 525 Btu commercial-grade compressor
- Front-vented, RAPIDcool forced-air refrigeration system
- Commercial-grade stainless steel interior
- **Industry Exclusive** convertible door design allows all doors the ability to be converted to wood overlay from stainless steel
- **Industry Exclusive** adjustable, full-extension pull-out shelves (drawer models excluded)
- Stainless-steel ball-bearing glides provide smooth movement of shelves
- Low E, UV-coated glass provides industry leading insulation and protection.
- Digital temperature control
- Interior light
- Optional door locks and Industry-Exclusive drawer locks (factory installed)
- Stacking kit available
- Indoor and outdoor models available
- Also available - 24" Indoor Beverage Center, Wine Reserve and Beer Dispenser
- 5.2 cubic feet of capacity
- Industry Best Three Year Warranty plus additional three years on sealed system

HC24RB/RO FEATURES

- Indoor models available with solid stainless steel door, solid wood overlay door, stainless steel glass door, wood overlay glass door, stainless steel drawers or wood overlay drawers
- Outdoor models available with solid stainless steel door, solid wood overlay door, stainless steel drawers or wood overlay drawers
- Indoor models have black vinyl-clad exterior
- Outdoor models have stainless steel exterior
- Door models include two (2) full-extension pull-out shelves
- Refrigerator rated for both food and beverage storage
- Refrigerator temperature 33°- 42°F

Form No.HC24R-3
Rev. 09.19.2014

PRODUCT SPECIFICATIONS

Overall Width	23-7/8" (60.64 cm.)
Overall Height	34-1/4" (86.96 cm.)
Overall Depth	24" (60.96 cm.)
Opening Width	24" (60.96 cm.)
Opening Height	34-3/8" (87.31 cm.)
Opening Depth	24" (60.96 cm.)
Refrigerated Volume	5.2 cu. ft.
Door Swing Clearance	25" (63.5 cm.) minimum
Electrical	115V, 60Hz., 1 Phase, 2.3 amps
Plumbing	None Required
Shipping Weight	183 lbs (83.01 kg.)
Annual Energy Consumption	274 kWh (solid door) 305 kWh (glass door and drawers)

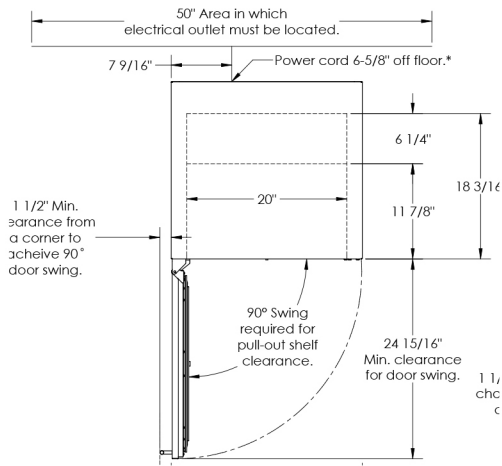
INDOOR MODELS

HC24RB-3-1L*	Solid stainless steel door, hinge left
HC24RB-3-2L*	Solid wood overlay door, hinge left
HC24RB-3-3L*	Stainless steel glass door, hinge left
HC24RB-3-4L*	Wood overlay glass door, hinge left
HC24RB-3-5	Stainless steel drawers
HC24RB-3-6	Wood overlay drawers

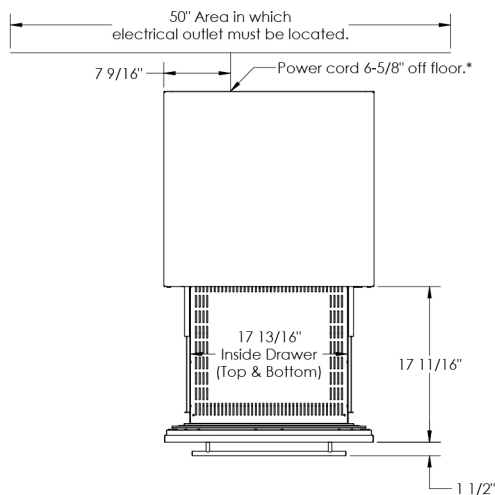
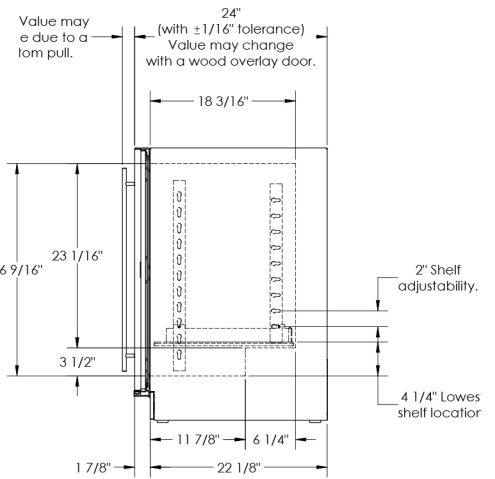
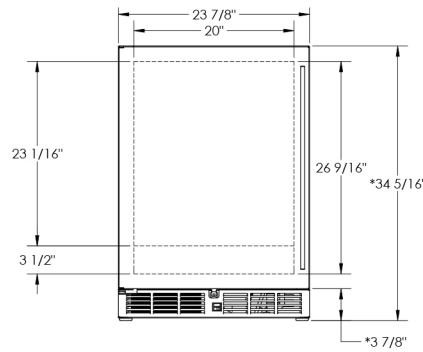
OUTDOOR MODELS

HC24RO-3-1L*	Solid stainless steel door, hinge left
HC24RO-3-2L*	Solid wood overlay door, hinge left
HC24RO-3-5	Stainless steel drawers
HC24RO-3-6	Wood overlay drawers

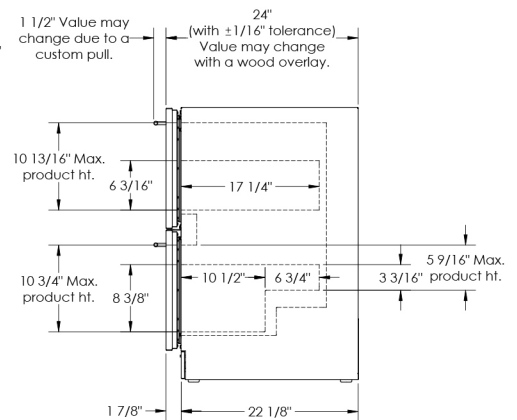
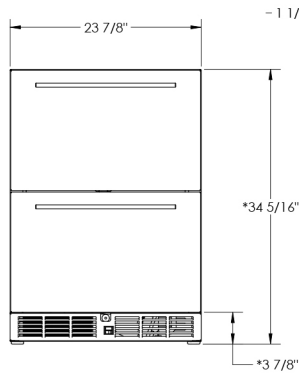
* Also available hinge right



Door Models



Drawer Models



Form No.HC24R-3
Rev. 09.19.2014