

# 24" SIGNATURE SERIES REFRIGERATOR

**HP24RS-3** | 24" INDOOR MODEL  
**HP24RO-3** | 24" OUTDOOR MODEL

**Perlick**<sup>®</sup>  
QUALITY & INNOVATION  
THAT **INSPIRES**



Solid Door Model



Glass Door Model



Drawer Model



## GENERAL SIGNATURE SERIES FEATURES

- Zero-clearance hinging allows for abutment with surrounding cabinetry
- Perlick's exclusive commercial-grade, 1,000 Btu variable-speed compressor
- Front-vented, RAPIDcool forced-air refrigeration system
- Commercial-grade stainless steel interior and exterior
- **Industry Exclusive** convertible door design allows all doors the ability to be converted to wood overlay from stainless steel
- **Industry Exclusive** adjustable, full-extension pull-out shelves (drawer models excluded)
- Stainless-steel ball-bearing glides provide smooth movement of shelves
- Low E, UV-coated glass provides industry leading insulation and protection.
- Adjustable Crisp White and Cool Blue LED lighting
- State-of-the-art digital control module
- Optional door locks and Industry-Exclusive drawer locks (factory installed)
- Stacking kit available
- Indoor and outdoor models available
- Also available - 24" Freezer, Beverage Center, Wine Reserve, Beer Dispenser, and Dual-Zone Wine Reserve
- 5.2 cubic feet of capacity
- Industry Best Three Year Warranty plus additional three years on sealed system

## HP24RS-3/RO-3 FEATURES

- Available with solid stainless steel door, solid wood overlay door, stainless steel glass door, wood overlay glass door, stainless steel drawers or wood overlay drawers
- Door models include two (2) full-extension pull-out shelves
- Refrigerator rated for both food and beverage storage
- Refrigerator temperature 33°- 42°F

Form No.HP24R-3  
Rev. 10.14.2014

## PRODUCT SPECIFICATIONS

<b>Overall Width</b>	23-7/8" (60.64 cm.)
<b>Overall Height</b>	34-1/4" (86.96 cm.)
<b>Overall Depth</b>	24" (60.96 cm.)
<b>Opening Width</b>	24" (60.96 cm.)
<b>Opening Height</b>	34-3/8" (87.31 cm.)
<b>Opening Depth</b>	24" (60.96 cm.)
<b>Refrigerated Volume</b>	5.2 cu. ft.
<b>Door Swing Clearance</b>	25" (63.5 cm.) minimum
<b>Electrical</b>	115V, 60Hz, 1 Phase, 2.3 amps
<b>Plumbing</b>	None Required
<b>Annual Energy Usage</b>	275 kWh/yr (solid door) 290 kWh/yr (glass door) 290 kWh/yr (drawers)
<b>Shipping Weight</b>	191 lbs (68.04 kg.)

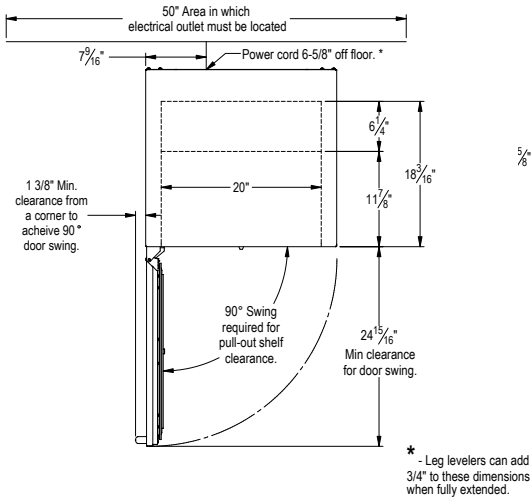
## INDOOR MODELS

<b>HP24RS-3-1L*</b>	Solid stainless steel door, hinge left
<b>HP24RS-3-2L*</b>	Solid wood overlay door, hinge left
<b>HP24RS-3-3L*</b>	Stainless steel glass door, hinge left
<b>HP24RS-3-4L*</b>	Wood overlay glass door, hinge left
<b>HP24RS-3-5</b>	Stainless steel drawers
<b>HP24RS-3-6</b>	Wood overlay drawers

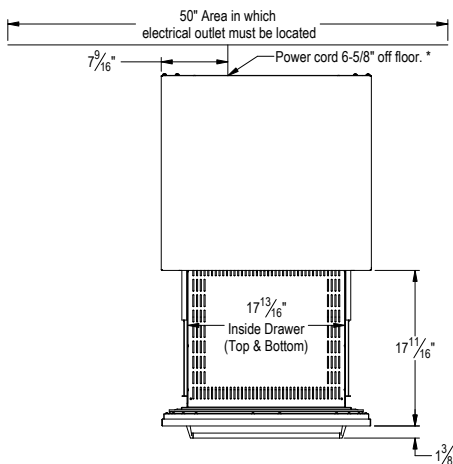
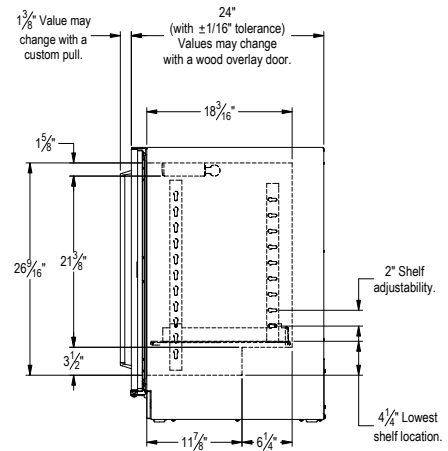
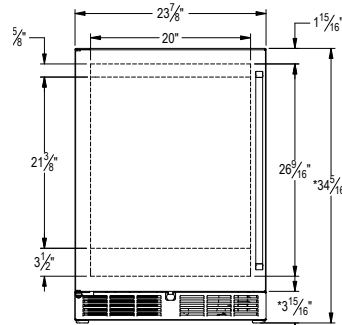
## OUTDOOR MODELS

<b>HP24RO-3-1L*</b>	Solid stainless steel door, hinge left
<b>HP24RO-3-2L*</b>	Solid wood overlay door, hinge left
<b>HP24RO-3-3L*</b>	Stainless steel glass door, hinge left
<b>HP24RO-3-4L*</b>	Wood overlay glass door, hinge left
<b>HP24RO-3-5</b>	Stainless steel drawers
<b>HP24RO-3-6</b>	Wood overlay drawers

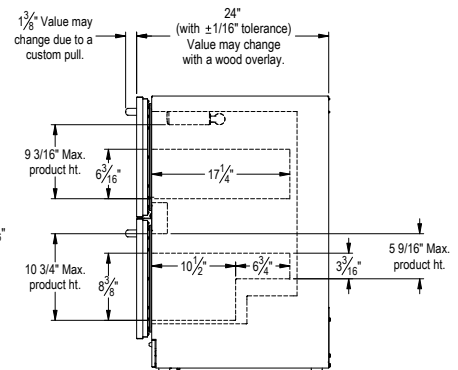
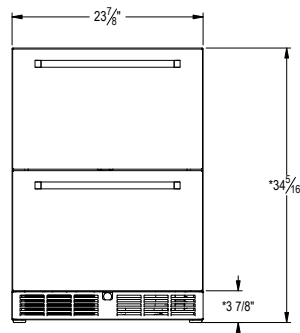
\* Also available hinge right



Door Models



Drawer Models



Form No.HP24R-3  
Rev. 10.14.2014