

24" ADA-COMPLIANT SERIES FREEZER

HA24FB-3 | 24" INDOOR MODEL

Perlick[®]
QUALITY & INNOVATION
THAT **INSPIRES**



Solid Door Model



Drawer Model



GENERAL 24" ADA-COMPLIANT SERIES FEATURES

- 32" height with leveling legs
- 390 Btu standard compressor
- Front-vented, RAPIDcool forced-air refrigeration system
- Commercial-grade stainless steel interior and black vinyl-clad exterior
- **Industry Exclusive** convertible door design allows all doors the ability to be converted to wood overlay from stainless steel
- **Industry Exclusive** adjustable, full-extension pull-out shelves (drawer models excluded)
- Stainless-steel ball-bearing glides provide smooth movement of shelves
- Low E, UV-coated glass provides industry leading insulation and protection.
- Digital Control
- Interior light
- Optional door locks and Industry-Exclusive drawer locks (factory installed)
- Stacking kit available
- Also available - ADA Compliant Refrigerator, Beverage Center, Wine Reserve and 15" Clear Ice Maker
- 4.8 cubic feet of capacity
- Industry Best Three Year Warranty plus additional three years on sealed system

HA24FB-3 FEATURES

- Available with solid stainless steel door, wood overlay door, stainless steel drawers or wood overlay drawers
- Door models include two (2) full-extension pull-out shelves
- Drawers are full extension for easy stocking and access of goods
- Equipped with automatic hot gas defrost for maintenance-free defrosting
- Freezer temperature -10° - 10°F

Form No.HA24FB-3
Rev. 09.19.2014

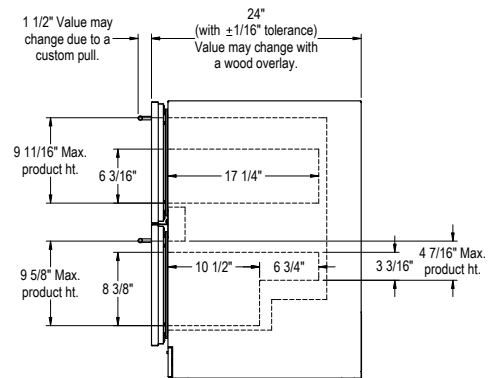
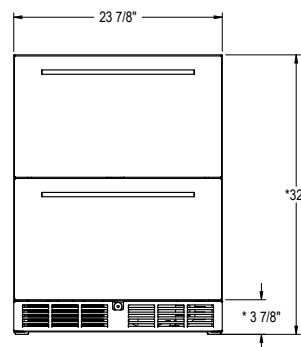
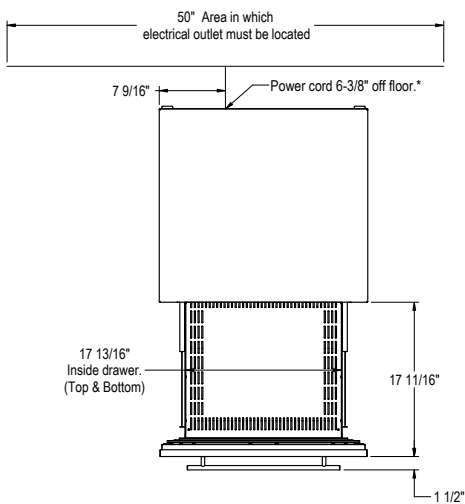
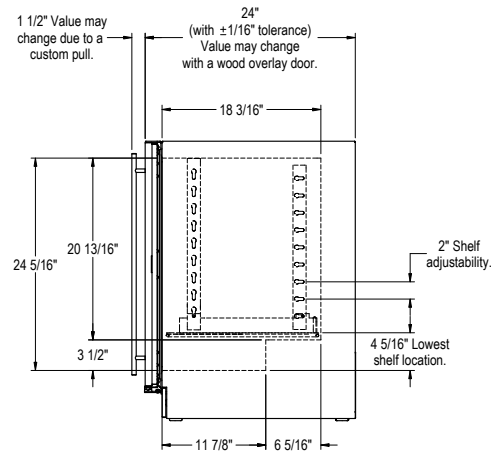
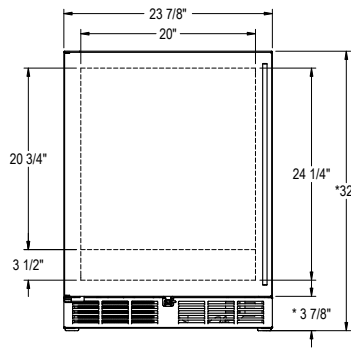
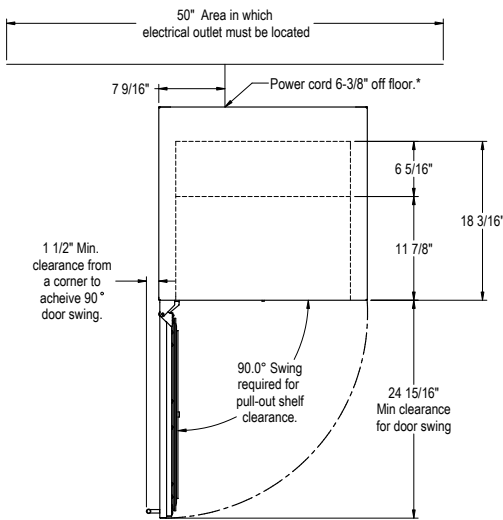
PRODUCT SPECIFICATIONS

Overall Width	23-7/8" (60.64 cm.)
Overall Height	32" (81.28 cm.)
Overall Depth	24" (60.96 cm.)
Opening Width	24" (60.96 cm.)
Opening Height	32-1/8" (81.60 cm.)
Opening Depth	24" (60.96 cm.)
Refrigerated Volume	4.8 cu. ft total
Door Swing Clearance	25" (63.50 cm.)
Electrical	115V, 60Hz, 1 Phase, 2.3 amps
Plumbing	None Required
Shipping Weight	181 lbs (82.27 kg.)
Annual Energy Consumption	430 kWh

INDOOR MODELS

HA24FB-3-1L*	Solid stainless steel door, hinged left
HA24FB-3-2L*	Solid wood overlay door, hinged left
HA24FB-3-5	Stainless steel drawers
HA24FB-3-6	Wood overlay drawers

*Also available with right hinge



Form No.HA24FB-3
Rev. 09.19.2014