

# 24" ADA-COMPLIANT SERIES REFRIGERATOR

HA24RB-3 | 24" INDOOR MODEL

**Perlick**<sup>®</sup>  
QUALITY & INNOVATION  
THAT **INSPIRES**



Solid Door Model



Glass Door Model



Drawer Model



## GENERAL 24" ADA-COMPLIANT SERIES FEATURES

- 32" height with leveling legs
- 525 Btu commercial-grade compressor
- Front-vented, RAPIDcool forced-air refrigeration system
- Commercial-grade stainless steel interior and black vinyl-clad exterior
- **Industry Exclusive** convertible door design allows all doors the ability to be converted to wood overlay from stainless steel
- **Industry Exclusive** adjustable, full-extension pull-out shelves (drawer models excluded)
- Stainless-steel ball-bearing glides provide smooth movement of shelves
- Low E, UV-coated glass provides industry leading insulation and protection.
- Electromechanical temperature control
- Interior light
- Optional door locks and Industry-Exclusive drawer locks (factory installed)
- Stacking kit available
- Also available - ADA Compliant Freezer, Beverage Center, Wine Reserve and 15" Clear Ice Maker
- 4.8 cubic feet of capacity
- Industry Best Three Year Warranty plus additional three years on sealed system

## HA24RB-3 FEATURES

- Available with solid stainless steel door, wood overlay door, stainless steel glass door, wood overlay door, stainless steel drawers or wood overlay drawers
- Door models include two (2) full-extension pull-out shelves
- Drawers are full extension for easy stocking and access of goods
- Refrigerator rated for both food and beverage storage
- Refrigerator temperature 33° - 42°F

Form No. HA24RB-3  
Rev. 09.19.2014

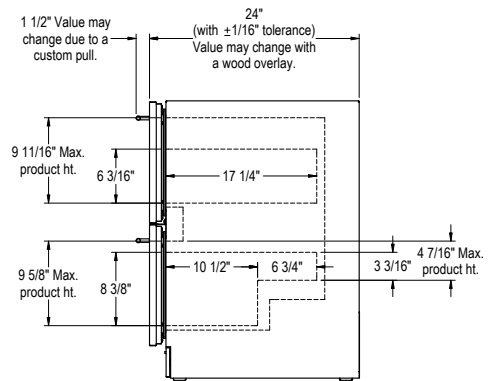
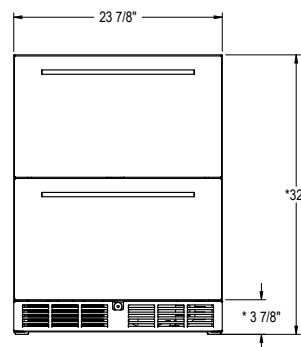
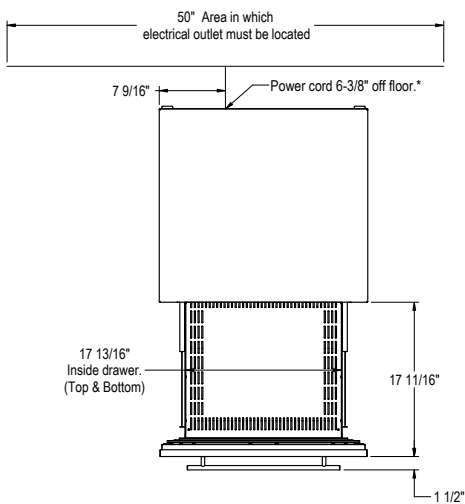
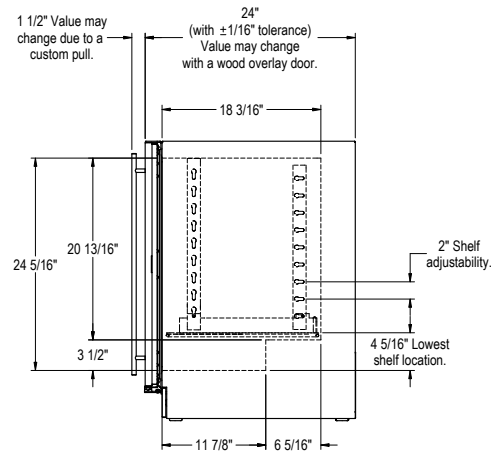
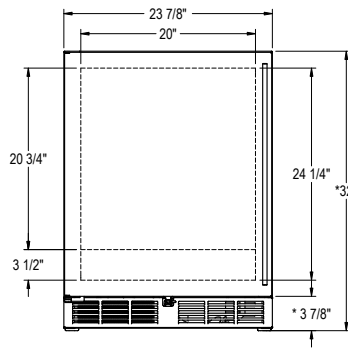
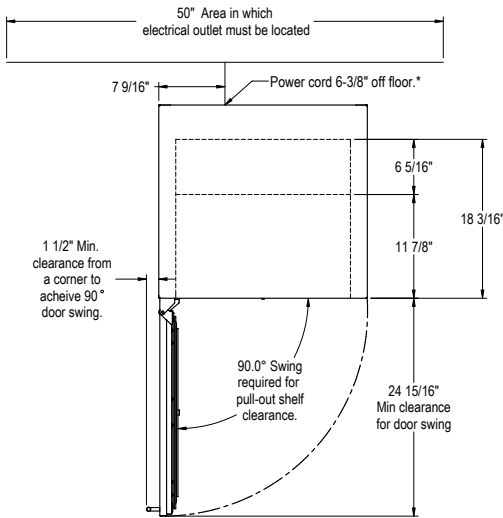
## PRODUCT SPECIFICATIONS

<b>Overall Width</b>	23-7/8" (60.64 cm.)
<b>Overall Height</b>	32" (81.28 cm.)
<b>Overall Depth</b>	24" (60.96 cm.)
<b>Opening Width</b>	24" (60.96 cm.)
<b>Opening Height</b>	32-1/8" (81.60 cm.)
<b>Opening Depth</b>	24" (60.96 cm.)
<b>Refrigerated Volume</b>	4.8 cu. ft total
<b>Door Swing Clearance</b>	25" (63.50 cm.)
<b>Electrical</b>	115V, 60Hz, 1 Phase, 2.3 amps
<b>Plumbing</b>	None Required
<b>Shipping Weight</b>	181 lbs (82.27 kg.)
<b>Annual Energy Consumption</b>	295 kWh

## INDOOR MODELS

<b>HA24RB-3-1L*</b>	Solid stainless steel door, hinged left
<b>HA24RB-3-2L*</b>	Solid wood overlay door, hinged left
<b>HA24RB-3-3L*</b>	Stainless steel glass door
<b>HA24RB-3-4L*</b>	Wood overlay glass door
<b>HA24RB-3-5</b>	Stainless steel drawers
<b>HA24RB-3-6</b>	Wood overlay drawers

\*Also available with right hinge



Form No. HA24RB-3  
Rev. 09.19.2014