

24" SIGNATURE SERIES BEVERAGE CENTER

HP24BS-3 | 24" INDOOR MODEL
HP24BO-3 | 24" OUTDOOR MODEL

Perlick[®]
QUALITY & INNOVATION
THAT **INSPIRES**



Glass Door Model



Solid Door Model



GENERAL SIGNATURE SERIES FEATURES

- Zero-clearance hinging allows for abutment with surrounding cabinetry
- Perlick's exclusive commercial-grade 995 Btu variable speed compressor
- Front-vented, RAPIDcool forced-air refrigeration system
- Commercial-grade stainless steel interior and exterior
- **Industry Exclusive** convertible door design allows all doors the ability to be converted to wood overlay from stainless steel
- **Industry Exclusive** adjustable, full-extension pull-out shelves (drawer models and beer dispenser excluded)
- Stainless-steel ball-bearing glides provide smooth movement of shelves
- Adjustable Crisp White and Cool Blue LED lighting
- Low E, UV-coated glass provides industry leading insulation and protection.
- State-of-the-art digital control module
- Optional door locks and Industry-Exclusive drawer locks (factory installed)
- Stacking kit available
- Indoor and outdoor models available
- Also available - 24" Freezer, Refrigerator, Wine Reserve and Beer Dispenser
- 5.2 cubic feet of capacity
- Industry Best Three Year Warranty plus additional three years on sealed system

HP24BS-3/BO-3 FEATURES

- Available with solid stainless steel door, solid wood overlay door, stainless steel glass door or wood overlay glass door
- Includes two (2) full-extension pull-out wine shelves and one (1) full-extension pull-out shelf
- Wine shelves feature stainless steel fronts
- Product capacity is 16 wine bottles and 41 cans (12 oz.)
- Beverage Center temperature 33°- 48°F

Form No. HP24B-3
Rev. 10.14.2014

PRODUCT SPECIFICATIONS

Overall Width	23-7/8" (60.64 cm.)
Overall Height	34-1/4" (86.96 cm.)
Overall Depth	24" (60.96 cm.)
Opening Width	24" (60.96 cm.)
Opening Height	34-3/8" (87.31 cm.)
Opening Depth	24" (60.96 cm.)
Refrigerated Volume	5.2 cu. ft.
Door Swing Clearance	25" (63.5 cm.) minimum
Electrical	115V, 60Hz, 1 Phase, 2.3 amps
Plumbing	None Required
Annual Energy Usage	275 kWh/yr (solid door) 290 kWh/yr (glass door)
Shipping Weight	203 lbs (92.08 kg.)

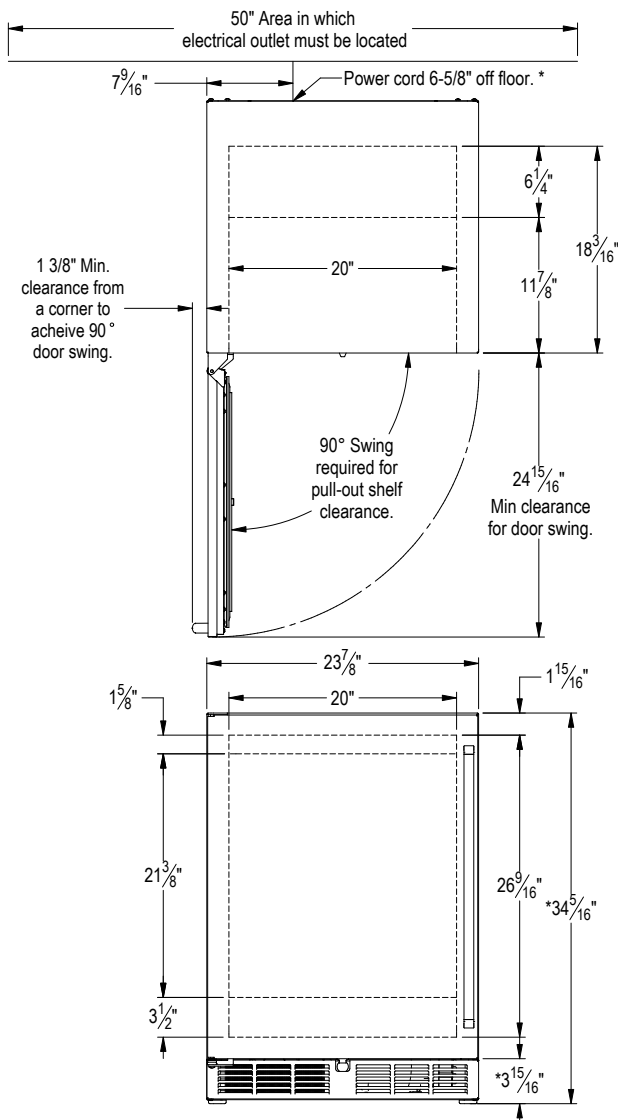
INDOOR MODELS

HP24BS-3-1L*	Solid stainless steel door, hinge left
HP24BS-3-2L*	Solid wood overlay door, hinge left
HP24BS-3-3L*	Stainless steel glass door, hinge left
HP24BS-3-4L*	Wood overlay glass door, hinge left

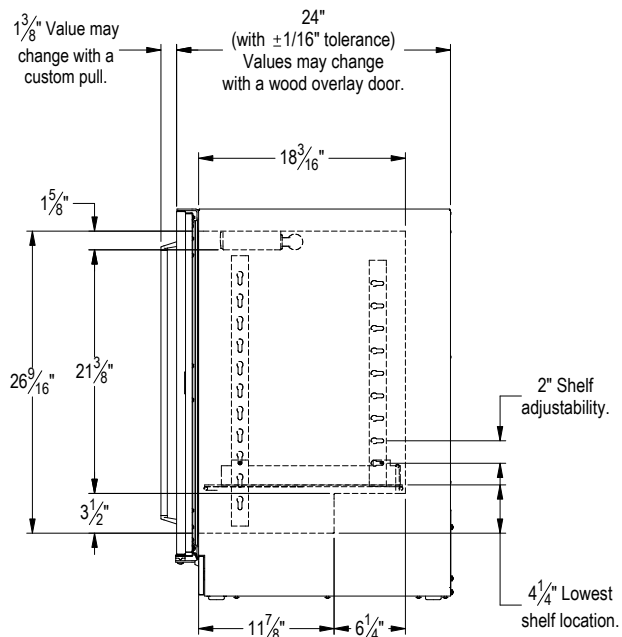
OUTDOOR MODELS

HP24BO-3-1L*	Solid stainless steel door, hinge left
HP24BO-3-2L*	Solid wood overlay door, hinge left
HP24BO-3-3L*	Stainless steel glass door, hinge left
HP24BO-3-4L*	Wood overlay glass door, hinge left

* Also available hinge right



* - Leg levelers can add 3/4" to these dimensions when fully extended.



Form No. HP24B-3
Rev. 10.14.2014