
BERTAZZONI DESIGN SERIES

36" INDUCTION COOKTOP P36 5 I X



This Bertazzoni touch control induction cooktop has a total output level of 13,600 W providing the fastest and most energy efficient way of cooking. The full energy becomes available instantaneously and is delivered directly to the cookware, thus eliminating inconvenient heat-up time. This Bertazzoni Design Series cooktop features five individually controlled induction heating zones and a sleek stainless steel framed low profile main top.

TOUCH CONTROL



The touch control interface provides the utmost in cooking flexibility.

LOW PROFILE STAINLESS STEEL TRIM



The induction top is framed by a low profile stainless trim.



TO COOK BEAUTIFULLY

BERTAZZONI DESIGN SERIES

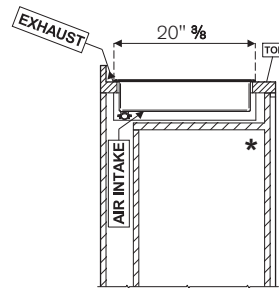
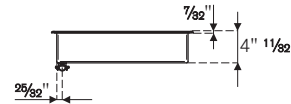
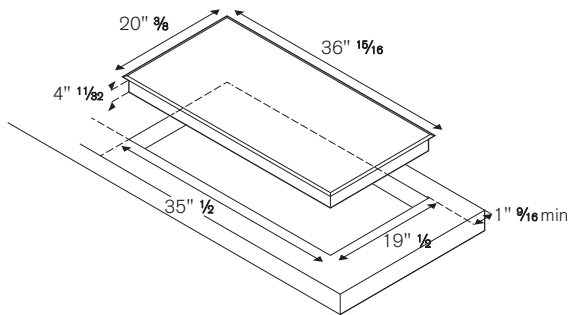
36" INDUCTION COOKTOP P36 5 I X

FEATURES

Induction zones	5
Center	Ø 11" - 3600 W
Back right	Ø 8 2/3" - 2800 W
Front right	Ø 6 1/2" - 2200 W
Back left	Ø 6 1/2" - 2200 W
Front left	Ø 8 2/3" - 2800 W
Maintop	ceramic glass with stainless steel
Worktop control	touch

TECHNICAL SPECIFICATIONS

Electrical Requirements	120/240 Vac, 60 Hz
Max Amp usage, power rating	50 A - 9600 W
Certification	CSA
Warranty	2 years parts and labor



* This product cannot be installed over an under counter oven

INSTALLATION INSTRUCTIONS

Bertazzoni recommends to operate the appliance after it has been installed in a cabinet.

The kitchen cabinets shall be made of materials capable of withstanding temperatures at least 117°F (65°C) above room temperature in order to avoid possible damage to the cabinets during appliance usage.

Disclaimer: while every effort has been made to insure the accuracy of the information contained in this brochure, Fratelli Bertazzoni reserves the right to change any part of the information at any time without notice.

Fratelli Bertazzoni, Bertazzoni and the winged wheel brand icon are registered trademarks of Bertazzoni Spa.