
BERTAZZONI DESIGN SERIES

48" HOOD KG48 CON X



The Bertazzoni Design Series hood offers a sleek and elegant style with stainless steel framed glass and electronic touch through glass controls. It is a perfect match for the Bertazzoni Design Series wall ovens and cooktops. Available with an efficient yet quiet 600 CFM motor and stainless-steel baffle filters, it can be installed for recirculation or ducted extraction.

CONTROLS



Use the touch control interface that lets you adjust the 3 different power levels with just the touch of a finger.



TO COOK BEAUTIFULLY

BERTAZZONI DESIGN SERIES

48" HOOD KG48 CON X

FEATURES

Hood finishing	stainless steel and finishing glass
Motor	1
Speed	3
Hood control	touch
Halogen lights	2
Filters	aluminum mesh
Max extraction power	600 cfm

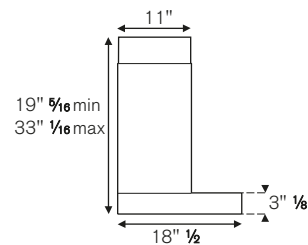
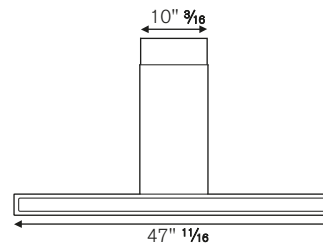
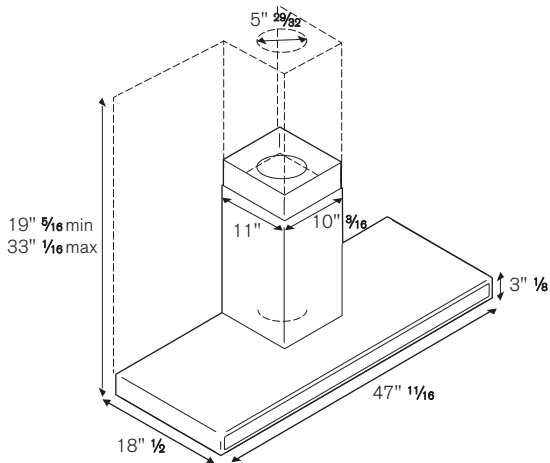
TECHNICAL SPECIFICATIONS

Electrical Requirements	120 V 60 Hz
Max Amp usage, power rating	3.3 A - 400 W
Certification	cETLus
Warranty	2 years parts and labor

ACCESSORIES

Recirculation Kit	code 901154
-------------------	-------------

Duct cover included



INSTALLATION INSTRUCTIONS

Bertazzoni recommends to operate the appliance after it has been properly installed. Please refer to the installation manual for further details.

Disclaimer: while every effort has been made to insure the accuracy of the information contained in this brochure, Fratelli Bertazzoni reserves the right to change any part of the information at any time without notice.

Fratelli Bertazzoni, Bertazzoni and the winged wheel brand icon are registered trademarks of Bertazzoni Spa.