

---

# BERTAZZONI PROFESSIONAL SERIES

## 36" SEGMENTED COOKTOP PM36 5 S0 X



Bertazzoni sets the new standard in surface cooking flexibility with its new Professional Series Segmented cooktops. Housed in a sleek and sophisticated low-profile stainless steel maintop, these new 36-inch cooktops are available in six combinations of gas, electric griddle and induction to perfectly match your own style of cooking. Combine a segmented cooktop with a Bertazzoni Professional Series or Design Series wall oven for a perfectly integrated kitchen, or upgrade your existing cooktop and elevate your cooking to the ultimate level.

### BRASS POWER BURNER



Bertazzoni's exclusive dual zone power burner in cast brass delivers high-efficiency performance from a delicate low simmer to full power (750-18,000 BTUs) with best-in-class heat-up time.



TO COOK BEAUTIFULLY

# BERTAZZONI PROFESSIONAL SERIES

## 36" SEGMENTED COOKTOP PM36 5 S0 X

### FEATURES

<b>Brass burners</b>	5
<b>Dual wok (1x)</b>	750-18000 Btu/h
<b>Rapid (2x)</b>	11000 Btu/h
<b>Semi-rapid (2x)</b>	6500 Btu/h
<b>Simmer rate</b>	750 Btu/h
<b>Maintop</b>	stainless steel
<b>Worktop controls</b>	knobs
<b>Knobs</b>	solid metal
<b>Grates</b>	cast iron
<b>One hand ignition</b>	yes
<b>Wok adapter</b>	yes

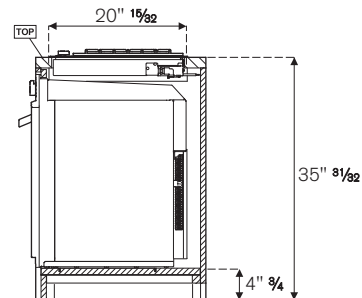
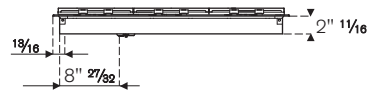
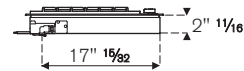
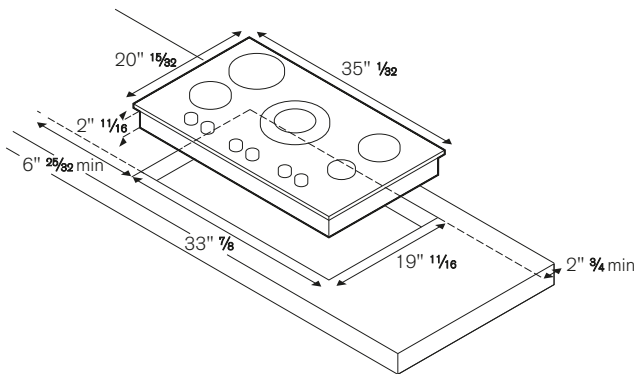
### TECHNICAL SPECIFICATIONS

<b>Electrical Requirements</b>	120 V 60 Hz
<b>Max Amp usage, power rating</b>	1 A - 1 W
<b>Certification</b>	CSA
<b>Warranty</b>	2 years parts and labor

### ACCESSORIES

<b>Wok ring (standard)</b>	code 408117
<b>Simmer ring (optional)</b>	code 408077

A LP conversion kit for all burners is included



### INSTALLATION INSTRUCTIONS

Bertazzoni recommends to operate the appliance after it has been installed in a cabinet.

The kitchen cabinets shall be made of materials capable of withstanding temperatures at least 117°F (65°C) above room temperature in order to avoid possible damage to the cabinets during appliance usage.

**Disclaimer:** while every effort has been made to insure the accuracy of the information contained in this brochure, Fratelli Bertazzoni reserves the right to change any part of the information at any time without notice.

Fratelli Bertazzoni, Bertazzoni and the winged wheel brand icon are registered trademarks of Bertazzoni Spa.