

---

# BERTAZZONI PROFESSIONAL SERIES

## 48" UNDERMOUNT CANOPY HOOD KU48 PRO 2 X



These powerful canopy hoods have dual motors delivering a combined 1200 CFM of extraction. They match Bertazzoni Professional Series ranges and cooktops while also complementing other Bertazzoni Series. They can be installed under a cabinet or on the wall, with optional medium or full-width duct covers. Stainless-steel baffle filters can be easily removed and are dishwasher safe.

### DOUBLE MOTOR CANOPY



Double motor canopy hood shown with optional medium duct cover. Full-width duct cover is also available.



TO COOK BEAUTIFULLY

# BERTAZZONI PROFESSIONAL SERIES

## 48" UNDERMOUNT CANOPY HOOD KU48 PRO 2 X

### FEATURES

<b>Hood finishing</b>	stainless steel
<b>Motor</b>	2
<b>Speed</b>	3
<b>Hood control</b>	electronic with buttons
<b>Halogen lights</b>	4
<b>Filters</b>	baffle stainless steel
<b>Max extraction power</b>	1200 cfm

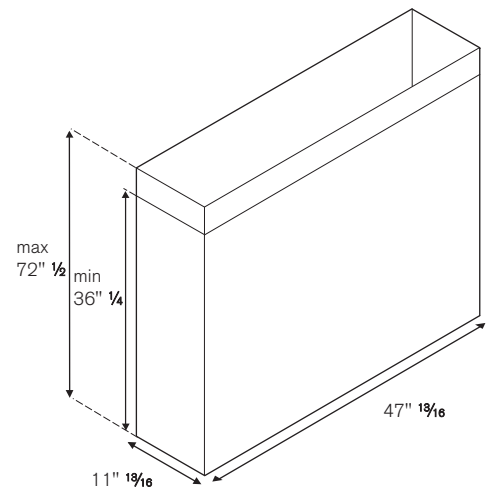
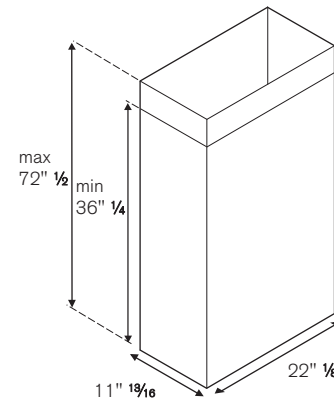
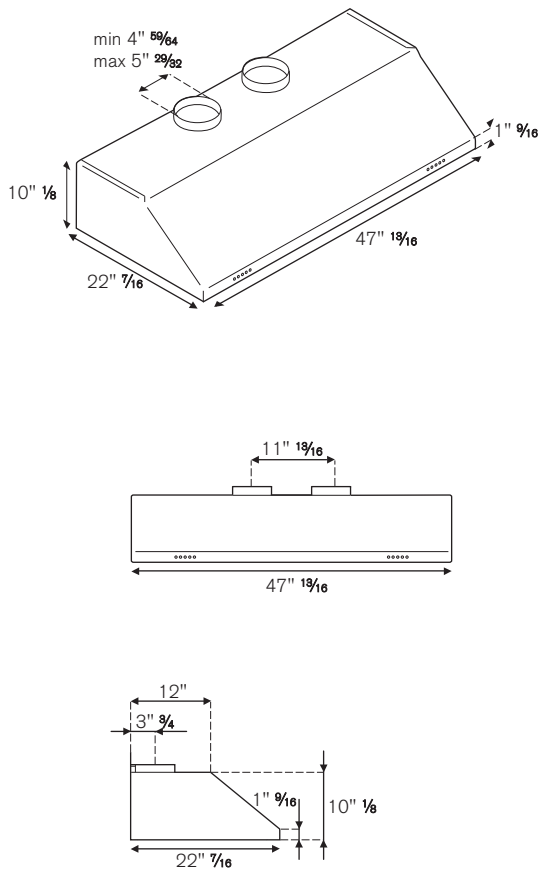
### TECHNICAL SPECIFICATIONS

<b>Electrical Requirements</b>	120 V 60 Hz
<b>Max Amp usage, power rating</b>	6.6 A - 800 W
<b>Certification</b>	cETLus
<b>Warranty</b>	2 years parts and labor

### ACCESSORIES

<b>Medium duct cover</b>	code 901263
<b>Full-width duct cover</b>	code 901261
<b>Air Bracket</b>	code 901264

This model is not suited for recirculation



### INSTALLATION INSTRUCTIONS

Bertazzoni recommends to operate the appliance after it has been properly installed. Please refer to the installation manual for further details.

**Disclaimer:** while every effort has been made to insure the accuracy of the information contained in this brochure, Fratelli Bertazzoni reserves the right to change any part of the information at any time without notice.

Fratelli Bertazzoni, Bertazzoni and the winged wheel brand icon are registered trademarks of Bertazzoni Spa.