

EVERPURE EXUBERA™ FAUCETS



PRODUCT OVERVIEW

Everpure® Exubera® Drinking Water Faucets deliver the best tasting chilled, sparkling or still water available from a single spout. The perfect complement to an Everpure commercial grade water filtration system, these faucets are exclusively designed to be used with the Everpure Exubera Chilled/Sparkling Water Appliance. Constructed of solid stainless steel, and available in two different finishes, these faucets provide lasting durability for your family's drinking water pleasures.

Everpure Exubera Drinking Water Faucets are engineered to be used with:

- Compatible with an Everpure drinking water filtration or RO system
- Compatible with an Everpure Exubera Water appliance

FEATURES

- Dual handle design
- Available in Polished Stainless or Brushed Stainless Steel finishes
- Spring-loaded "hot" shut off valve safety feature
- Insulated heat-resistant spout
- Lead-free
- Ceramic disc type valve
- Aerator tip provides even, clear stream of filtered water
- Compatible with reverse osmosis systems with the use of a separate air gap

SPECIFICATIONS

- Flow Rate - .5 gal/min (1.9 L/min)
- Operating Pressure - 20-90 psi (1.38-6.21 bar)
- Temperature Range - 50-212°F (10-100°C)
- Installation - 1" or standard sink hole installation



Designer Series

*Faucet Dimensions:
6.25"W X 11.5"H*



Classic Series

*Faucet Dimensions:
5.75"W X 12.28"H*

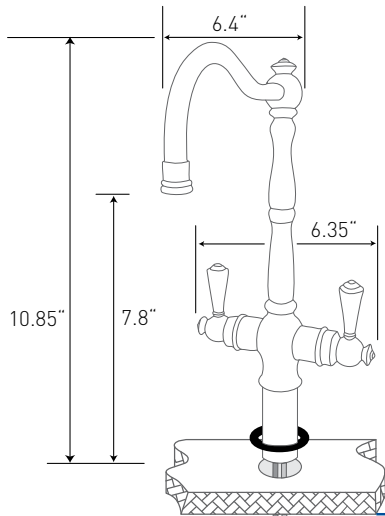


Victorian Series

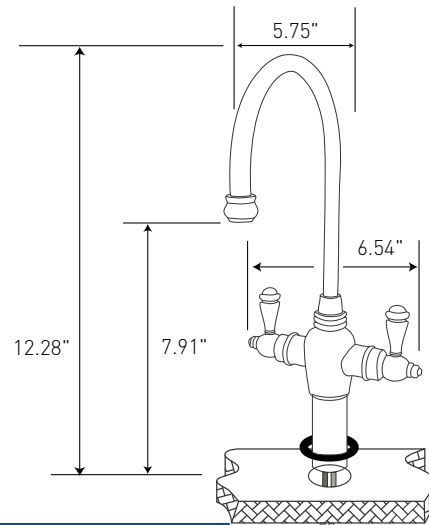
*Faucet Dimensions:
6.4"W X 10.85"H*

INSTALLATION

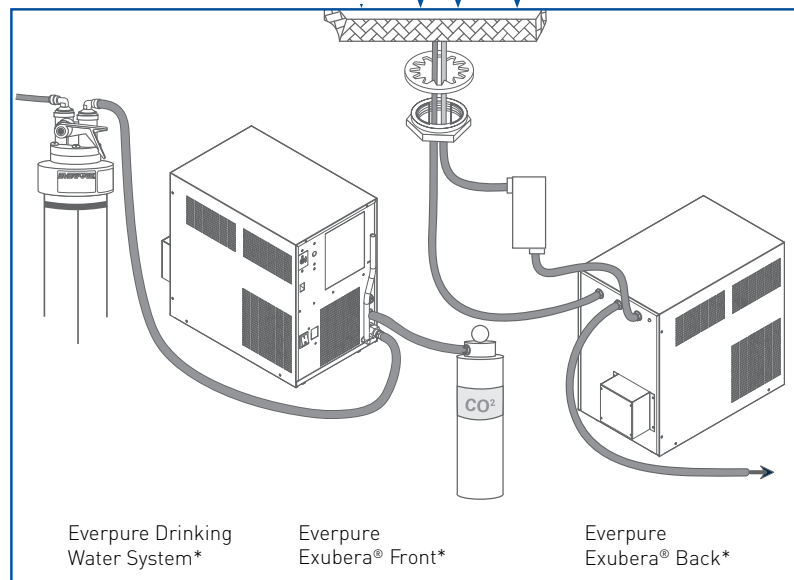
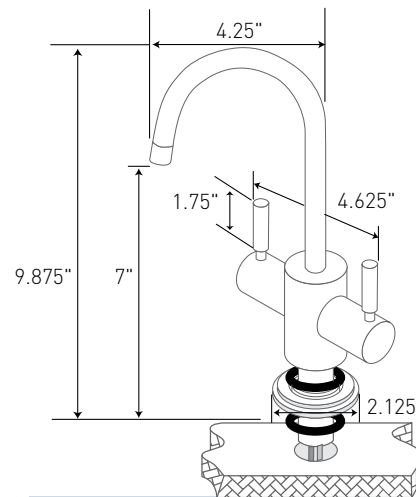
Victorian Series



Classic Series



Designer Series



*All products sold separately.