

## EVERPURE HELIA FAUCETS



### PRODUCT OVERVIEW

Everpure Helia Drinking Water Faucets deliver instant chilled and instant hot water at the tap. The perfect complement to an Everpure commercial grade water filtration system, these faucets are exclusively designed to be used with the Everpure Helia Combination Instant Hot/Chilled Water Appliance and are equipped with a built-in safety feature to prevent accidents. Constructed of solid stainless steel and available in two beautiful finishes, these faucets provide lasting durability for your family's water needs.

Everpure Helia Drinking Water Faucets are engineered to be used with:

- Everpure drinking water filtration or RO system
- Everpure Helia Combination Water Appliance

### FEATURES

- Dual handle design
- Available in Polished Stainless or Brushed Stainless finishes
- Spring-loaded "hot" shut off valve safety feature
- Insulated heat-resistant spout
- Lead-free
- Aerator tip provides even, clear stream of filtered water
- Compatible with Everpure reverse osmosis systems with a separate air gap

### SPECIFICATIONS

- Flow Rate - .5 gal./min. (1.9L/min.)
- Operating Pressure - 20 to 90 psi
- Temperature - 50°F to 212°F (10°C to 100°C)
- Installation - 1" or standard sink hole installation



### Designer Series

*Faucet Dimensions:  
6.25"W X 11.5"H*



### Classic Series

*Faucet Dimensions:  
5.75"W X 12.28"H*

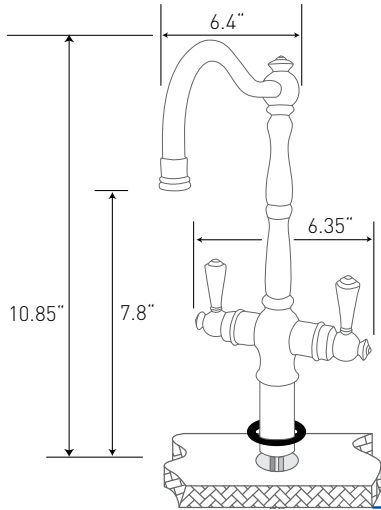


### Victorian Series

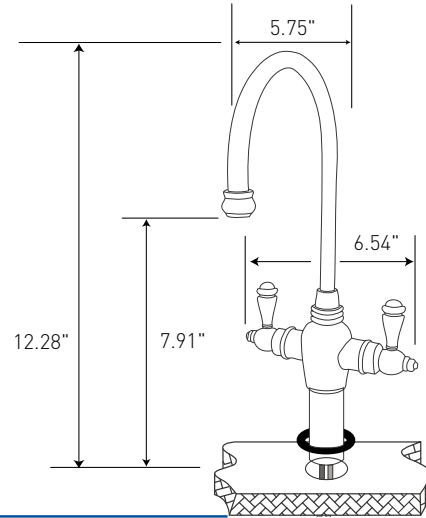
*Faucet Dimensions:  
6.4"W X 10.85"H*

# INSTALLATION

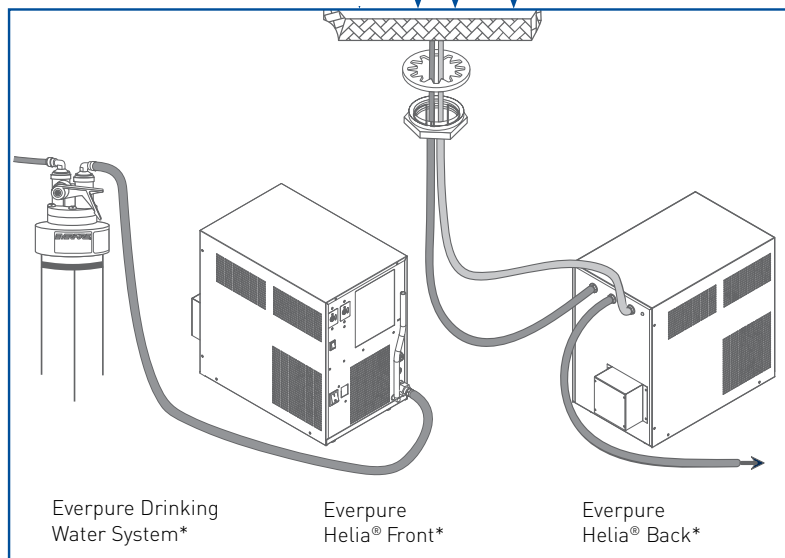
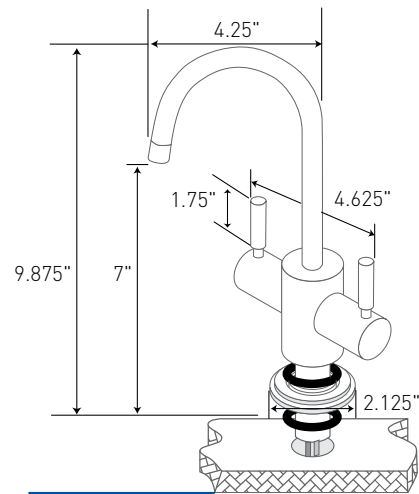
**Victorian Series**



**Classic Series**



**Designer Series**



\*All products sold separately.