

EVERPURE DUAL-TEMPERATURE FAUCETS



PRODUCT OVERVIEW

Everpure dual-temperature hot/cold drinking water faucets deliver cold or ambient filtered water and near boiling instant hot water from a single spout. They are exclusively designed to be used with the Everpure Commercial-Grade Instant Hot Water Dispenser (Solaria) and other vented instant hot systems. The cold side may be connected to the Everpure Commercial Grade Water Chiller (Polaria) for refreshingly chilled drinking water or just simply enjoy ambient filtered water from any Everpure Drinking Water System. Everpure Dual-Temperature Faucets feature solid stainless steel construction and are available in Polished Stainless and Brushed Stainless finishes. They are lead-free and feature a ceramic disc type valve for smooth functionality and lasting durability. Blue and red indicators on the handles distinguish hot and cold sides.

Everpure Dual-Temperature Drinking Water Faucets are engineered to be used with:

- Any Everpure Drinking Water Filtration System or Reverse Osmosis System
- Everpure Solaria Instant Hot Dispenser Model EV-931840
- Everpure Polaria Water Chiller Model EV-931830

FEATURES

- Dual handle design
- Solid stainless steel construction in two beautiful finishes
- Spring-loaded “hot” shut off valve safety feature
- Insulated heat-resistant spout
- Ceramic disc type valve
- Exclusively designed to be used with vented instant hot systems
- Lead-free
- Aerator tip provides even, clear stream of filtered water
- RO compatible with the use of a separate air gap

SPECIFICATIONS

- Flow Rate - .5 gal./min. (1.9L/min.)
- Operating Pressure - 20 to 90 psi
- Temperature - 50°F to 212°F (10°C to 100°C)
- Installation - 1” or standard sink hole installation



Designer Series
Faucet Dimensions:
6.25”W X 11.5”H



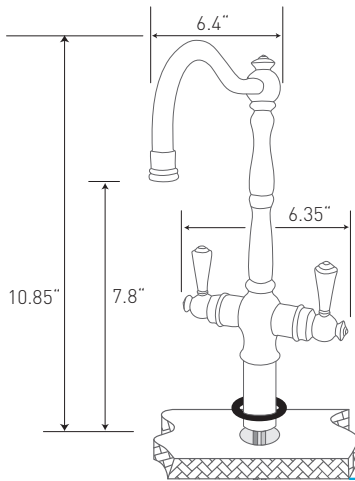
Classic Series
Faucet Dimensions:
5.75”W X 12.28”H



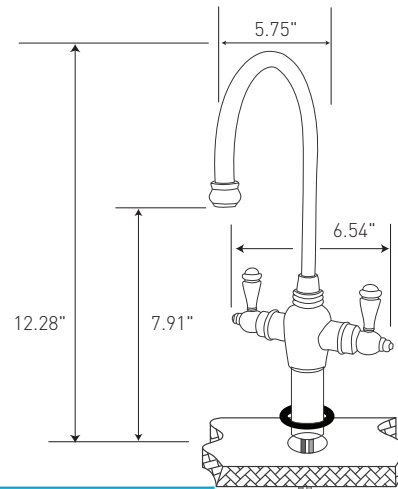
Victorian Series
Faucet Dimensions:
6.4”W X 10.85”H

INSTALLATION

Victorian Series



Classic Series



Designer Series

