



# EVERPURE®

# EVERPURE SELECT SERIES

## EVERPURE EF-3000



### PRODUCT OVERVIEW

The same Everpure® Select Series Commercial Grade technology used in restaurants around the world is now available for your home--now without the need for an extra faucet. The Everpure® EF-3000 introduces great-tasting, crisp, clean filtered water to any faucet in your home. The smaller canister size makes it an ideal system for any application where space is limited.

### FEATURES

**NO ADDITIONAL FAUCET REQUIRED:** Connect to any faucet in your home.

**COMMERCIAL GRADE:** Robust metal construction not susceptible to leaks like plastic filtration systems.

**RECYCLABLE, SUSTAINABLE, GOOD FOR THE ENVIRONMENT:** Easily recycled versus plastic filtration systems. Enjoy bottled water quality without all of the empty plastic bottles or wasted water.

**SANITARY, QUICK-CHANGE DESIGN:** Annual Cartridge replacements are as easy as changing a light bulb.

**NSF CERTIFICATION:** All Everpure Select Series Products are certified by NSF International.

**GREAT TASTE:** Rated at the highest levels for the reduction of off-taste, odor, chlorine and particulate reduction.

**RETAINS VITAL MINERALS:** Retains vital minerals to ensure the healthiness and delicious taste of your family's water.

**PROTECTS APPLIANCES:** Protects your appliances from the build-up of limescale.

**GOOD FOR YOUR FAMILY'S HEALTH:** Protects against asbestos, lead, cysts, and various chemicals - Some Everpure Systems even remove bacteria and viruses!

**GOOD FOR YOUR FAMILY'S FINANCES:** At only pennies per gallon!

### SPECIFICATIONS

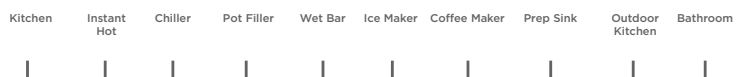
- Flow rate controlled at 2.2 gpm (8.3 Lpm)
- Temperature - 35-100° (2-38° C), cold water use only
- Pressure - 10-125 psi (.7-8.6 bar), non-shock
- Capacity - 3,000 gal. (11,356L)
- Required space - 5W x 20H x 5D in.



### SUBSTANCE REDUCTION

- Reduce particles as small as .5 micron in size
- Dirt, rust and cloudiness\*
- Chlorine taste & odor
- Lead
- NSF/ANSI Standard 53 certified to reduce cysts such as Cryptosporidium and Giardia by mechanical means

\*As tested by Everpure, LLC.



P.O. Box 1836  
Dundee, FL 33838-1836  
E: info@pinnacleexpress.com

P: 800-292-8374  
F: 800-574-8805  
W: www.pinnacleexpress.com

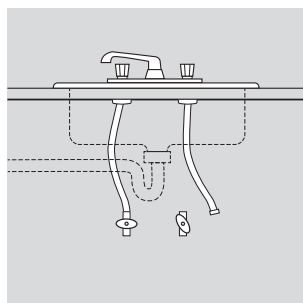
## ORDERING INFORMATION

MODEL	PART NO	DESCRIPTION
EF-3000	EV-985700	Drinking Water System
EF-3000	EV-985750	Cartridge

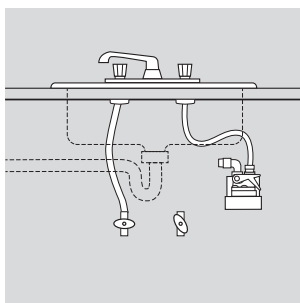
## GENERAL INSTALLATION / OPERATION / MAINTENANCE REQUIREMENTS

- This drinking water system must be maintained according to the manufacturer's instructions, including replacement of filter cartridges. The substances reduced or removed by this system are not necessarily in your water. Read the performance data sheet for more information.
- It is recommended that before purchasing a water treatment unit, you have your water tested to determine your actual treatment needs
- Space required: 20H x 5W x 5D in. including 2.5 in. of clear space under unit for cartridge change
- Do not use with water that is microbiologically unsafe or of unknown quality without adequate disinfection before or after the system. Systems certified for substance reduction may be used on disinfected water that may contain filterable cysts.
- Install vertically with cartridge hanging down
- Flush new cartridge at full flow for three minutes to purge air
- Replace cartridge when capacity is reached, or when flow becomes too slow, but at least annually

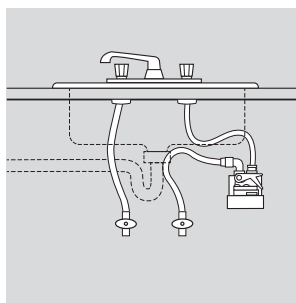
## EASY INSTALLATION STEPS



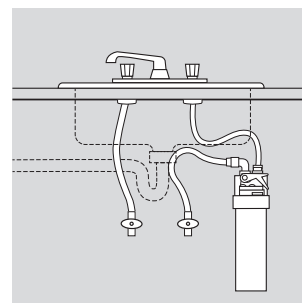
Shut cold water supply off and disconnect cold water hose.



Connect cold water supply hose from faucet to outlet of filter head.



Mount filter head and connect water supply to inlet of filter head.



Install Quick Change cartridge and turn on water.

For detailed instructions, see the Owner's Guide.

### Health Claim Performance Certified by NSF/ANSI\*

This system has been tested according to NSF/ANSI 42 and 53 for the reduction of the substances listed below. The concentration of the indicated substances in water entering the system was reduced to a concentration less than or equal to the permissible limit for water leaving the system, as specified in NSF/ANSI 42 and 53.

SUBSTANCE	INFLUENT CHALLENGE CONCENTRATION	MAX. PERMISSIBLE PRODUCT WATER CONCENTRATION	REDUCTION REQUIREMENTS	MINIMUM REDUCTION	AVERAGE REDUCTION
<b>Standard 42 – Aesthetic Effects</b>					
Chlorine	2.0 mg ± 10%	–	≥ 50%	–	99%
Particulate, Class I					
Particles 0.5 - <1 µm	at least 10,000 particles/mL	–	≥ 85%		98.3%
<b>Standard 53 – Health Effects</b>					
Cyst	Minimum 50,000/L	–	99.95%	99.99%	99.99%
Lead 8.5	0.15 mg/L ± 10%	0.010 mg/L	–	93.2%	98.5%
Lead 6.5	0.15 mg/L ± 10%	0.010 mg/L	–	99.9%	99.9%

\*Tested using flow rate = 2.2 gpm; pressure = 60 psig; pH = 7.5 ± 0.5; temp. = 20° C ± 2.5° C

Everpure®, Micro-Pure® and the silver canister color are registered trademarks of Pentair Filtration Solutions, LLC ©2013.



System Tested and Certified by NSF International against NSF/ANSI Standard 42 and 53 for the reduction of:

#### Standard No. 42 Aesthetic Effect:

- Chemical Reduction
- Taste and Odor
- Chlorine Taste & Odor
- Mechanical Filtration
- Particulate Reduction: Class I

#### Standard No. 53 Health Effects:

- Chemical Reduction
- Lead
- Mechanical Filtration
- Cyst