

## EVERPURE POLARIA



### PRODUCT OVERVIEW

Get luxurious instant chilled water at the tap with Everpure Polaria® Water Chiller. The perfect complement to an Everpure commercial-grade water filtration system, the Polaria chills water to an ideal 50°F. This truly commercial-grade unit delivers up to 1.3 gallons of refreshing chilled water per hour and is ideal for drinking, baking, iced tea, lemonade and much more. Despite its ample water-chilling power, the Polaria only consumes 155 watts of electricity.

### FEATURES

- Compact unit is easy to hide in any kitchen cabinet or wet bar
- Stainless steel components and lead free design
- Whisper-quiet, hermetically sealed and maintenance-free compressor
- Chills to an ideal temperature of 50°F
- Uses ozone-friendly refrigerant

### SPECIFICATIONS

- Capacity - 1.3 gallons per hour
- Tank Volume - .7 gallons
- Temperature output - 50°F [based on 80°F inlet water and 90°F ambient]
- Inlet/Outlet - ¼" Outer dimension tubes
- Power - 155 watts
- Motor Compressor - ⅛ HP, 115 VAC, 60Hz single phase



*System Dimensions*  
14"W x 7"H x 17"D

## ORDERING INFORMATION

MODEL	PART NO	DESCRIPTION
Everpure - Polaria	EV-931830	Chilled water appliance

## GENERAL INSTALLATION / OPERATION / MAINTENANCE REQUIREMENTS

Not recommended for use with a Reverse Osmosis (RO) water filtration system - eventual damage to the pump will result. To prevent damage, install with a booster pump or autoclave.

Minimum requirements for incoming water - Water pressure: 14.5 psi; .5 gpm (Use a booster pump to increase water requirements)

Install a pressure reducer when water pressure exceeds 43.5 psi

Install the appliance away from heat sources and direct sunlight.

Do not install the appliance outdoors or in damp locations.

Minimum installation space - 2.5 inches from adjacent surfaces for proper air circulation around appliance.

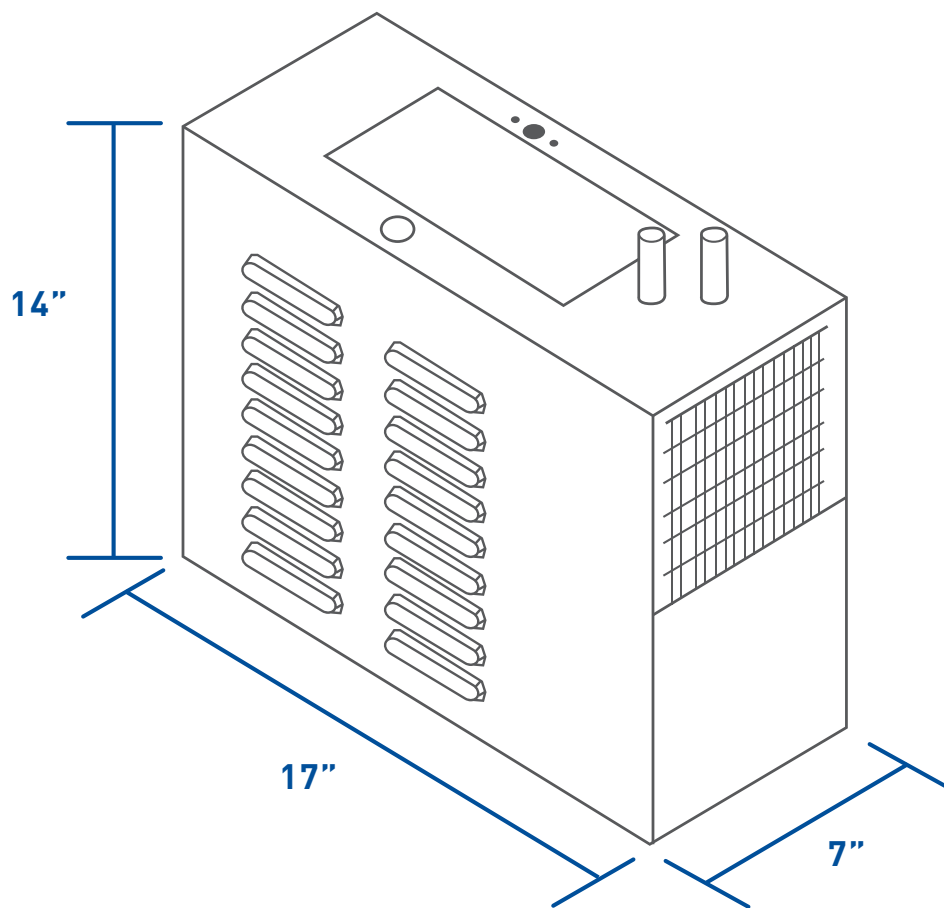
The appliance generates heat, so external venting may be required when it is installed in a cabinet.

Appliance must be supported on all four foot pads

## DRINKING WATER FAUCETS\*

Faucet and filtration system sold separately. For use with dual-temperature faucet.

## DIMENSIONS



This water appliance is approved by Underwriters Laboratories Inc. in accordance with NSF/ANSI 61-2002e.