

EVERPURE SOLARIA



PRODUCT OVERVIEW

Get luxurious instant hot water at the tap with Everpure Solaria® Instant Hot Water Appliance. The perfect complement to an Everpure commercial-grade water filtration system, the Solaria delivers great tasting, piping hot water on demand. This unit offers a generous capacity of up to 100 cups of water per hour at 190°F. The Solaria is a compact unit that provides instant hot water from your tap for coffee, tea, hot chocolate, oatmeal, pasta, soups and much more.

FEATURES

- Dispenses piping hot water on demand
- Compact unit is easy to hide in any kitchen cabinet or wet bar
- Powder coated, insulated stainless steel tank is energy efficient and maintenance free
- Easy-to-install with quick connect fittings and drain plug
- Fingertip temperature adjustment
- Automatic shut-off which prevents accidental dry starts and prevents misuse
- Non-pressurized tank with self contained expansion chamber

SPECIFICATIONS

- Capacity - 100 cups per hour
- Tank Volume - $\frac{5}{8}$ gallon
- Temperature output - 140°F - 190°F
- Inlet/Outlet - $\frac{3}{8}$ " Outer dimension tubes
- Power - 1300 watts
- Motor Compressor - 120 VOLTS, 60 Hz



*System Dimensions
6.8"W x 11.2"H x 8.1"D*

ORDERING INFORMATION

MODEL	PART NO	DESCRIPTION
Everpure - Solaria	EV-931840	Hot water appliance

GENERAL INSTALLATION / OPERATION / MAINTENANCE REQUIREMENTS

Not recommended for use with a Reverse Osmosis (RO) water filtration system - eventual damage to the pump will result. To prevent damage, install with a booster pump or autoclave.

Install the appliance away from heat sources and direct sunlight.

Do not install the appliance outdoors or in damp locations.

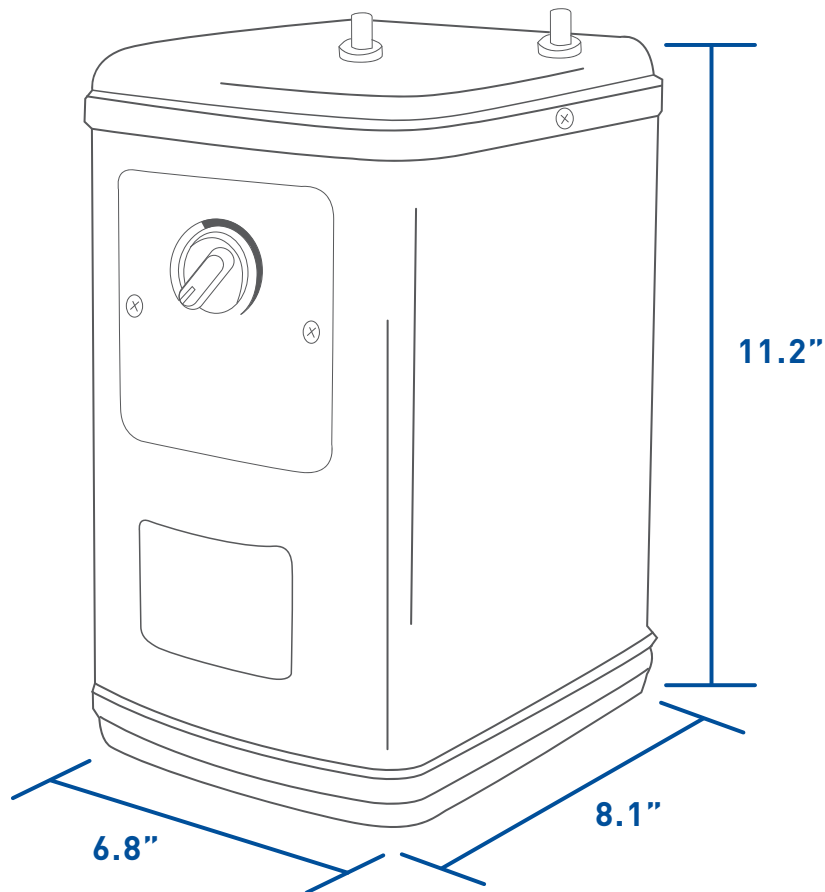
Minimum installation space - 2.5 inches from adjacent surfaces for proper air circulation around appliance.

The appliance generates heat, so external venting may be required when it is installed in a cabinet.

DRINKING WATER FAUCETS*

Faucet and filtration system sold separately. Vented faucet required.

DIMENSIONS



This water appliance is approved by Underwriters Laboratories Inc. in accordance with NSF/ANSI 61-2002e.