



# FOCUS ON QUALITY AND CRAFTSMANSHIP SINCE 1917

Family owned since 1917 and headquartered in Milwaukee, Wisconsin, Perlick Corporation is dedicated to providing innovative, quality customizable food and beverage storage and serving solutions. Perlick is a national manufacturing leader in commercial bar and beverage systems, residential undercounter refrigeration and brewery fittings.

Perlick's award-winning, luxury residential product line features integrated column refrigerators, freezers and wine reserves, as well as indoor and outdoor undercounter refrigerators, wine reserves, freezers, freezer and refrigerator drawers, ice makers, and beer dispensers.

*Luxury* YOU DESIRE  
INNOVATION YOU CAN'T LIVE WITHOUT




HP15RS-3-3L, HP24ZS-3-5-15" Signature Series Refrigerator and 24" Signature Series Dual-Zone Freezer/Refrigerator Drawers



HP24WS-3-3L+3R" Signature Series Wine Reserves Stainless Steel Glass Doors

# TABLE OF CONTENTS

	Page
<b>Features and Benefits</b>	<b>4</b>
Why Perlick	6
Signature Series / C Series Product Comparison	7
Refrigerator Comparison	7
Beverage Center Comparison	8
Wine Reserve Comparison	9
Beer Dispenser Comparison	10
<b>Indoor Products</b>	
<b>NEW</b> Perlick Column Refrigeration - 24" and 30"	12
C-Series	20
Signature Series	24
15" Signature Series	24
24" Signature Series	29
24" Signature Series - Sottile 18" Shallow Depth	35
48" Signature Series	38
ADA-Compliant Series	40
<b>Outdoor Products</b>	
C-Series - 24" Outdoor Refrigerator and Beer Dispensers	44
Signature Series	48
15" Outdoor Signature Series	49
15" Outdoor Ice Makers	53
24" Outdoor Signature Series	54
24" Outdoor Signature Series - Sottile 18" Shallow Depth	60
<b>Perlick Accessories</b>	<b>63</b>
<b>Perlick and ENERGY STAR</b>	<b>66</b>
<b>Available Door Styles</b>	<b>67</b>
<b>Keg Layouts</b>	<b>67</b>
<b>Specifications</b>	<b>68</b>
<b>Frequently Asked Questions</b>	<b>80</b>
<b>Perlick Limited Warranty and Service Information</b>	<b>82</b>
<b>Pinnacle Express, Inc. Terms and Conditions of Sale</b>	<b>83</b>

---

# FEATURES AND BENEFITS

## INNOVATIVE FEATURES

### **Commercial History and Heritage:**

Since its founding in 1917, Perlick has become the premier supplier of Bar/Beverage Dispensing Equipment in the United States. More than 60% of professional sports stadiums use Perlick Commercial Products.

### **Designed and Engineered in the USA:**

All Perlick products are proudly designed and engineered in the USA.

### **Pinnacle Express Inventory:**

We keep over 170 models stocked year round. Transit time is a maximum of three days after designated weekly ship day.

### **Industry's Best Warranty:**

Three-year full warranty with Product Registration on complete unit and additional three year limited warranty on the sealed refrigeration system for undercounter refrigeration and 12 years additional limited warranty on column refrigeration.

### **Commercial Grade 304 Stainless Steel Interior:**

All commercial-grade 304 stainless interior provides an attractive, sanitary and easy to clean advantage.

### **Variable Speed Compressor:**

Variable Speed Compressor on 24" and 48" Signature Series Units provides very quick temperature draw-down along with energy efficiency, optimal performance and less noise.

### **Forced-Air Technology:**

Unique Forced-Air Technology provides consistent temperature throughout the unit - eliminates "cold" spots and "hot" spots.

### **Patented Multi-Temperature Technology:**

Multi-Temperature Technology in the dual-zone models allows for multi-compartment, multi-temperature cooling from one compressor, increasing usable space, energy efficiency, and the convenience of multi-temperatures in a single unit.

### **State of the Art Control Modules:**

A discretely located module allows the end-user to easily set each temperature zone.

### **Quality Construction:**

Laser-cut hinges, strong and elegant door pulls, high-quality commercial-grade 304 stainless interior and exterior construction allows the consumer to experience commercial durability in a home appliance product.

### **Energy Efficiency:**

ENERGY STAR rating, variable speed compressor, 2" thick insulation layer, and extra-wide magnetic gasket makes Perlick top rated for energy efficiency.

### **Adjustable Height, Full-Extension Pullout Shelving:**

Vinyl protection and commercial-grade slides provide an unmatched solution in convenience and reliability.

### **Protection of Food, Wine, Beer:**

Protection of food, wine and other perishable products - Perlick products are designed to keep food products fresh for both indoor and outdoor applications.



# FEATURES AND BENEFITS

## A PRODUCT FOR EVERY APPLICATION AND NEED

As the company that established the All Stainless Product Category in the USA, Perlick continues to bring new and innovative products to the residential market:

- **NEW - 30" Column Refrigerator**
- **Full Line of 24" Column Refrigerator, Freezer and Wine Units.**
- **Full Line of 15" Wide Products**
- **Full Line of 24" Wide Products**
- **Industry Exclusive Line of select 48" Wine Units**
- **Full Line of ADA Compliant Products**
- **Full Line of Sottile 18" Shallow Depth Products**
- **Full Line of Outdoor Rated Products**

### Award Winning Products!



Perlick's stainless steel interiors are standard on all of their units. Unlike traditional plastic interiors, stainless steel prevents staining and odors for years of long-lasting beauty.



## Why Perlick?

Here are the top five reasons to choose Perlick's undercounter refrigeration.

### Forced-Air Refrigeration



Perlick's **industry exclusive front-vented RAPID-cool™ forced-air refrigeration system** circulates cool air through the inside of the cabinet, resulting in product reaching temperature 185% faster than the leading competitor.

### Stainless Steel Interiors



Our **commercial-grade stainless steel interiors** are durable, attractive, easy to clean, and resistant to odors, stains and mold. They're what the professionals demand for their kitchens.

### Full 3 Year Warranty



Enjoy **peace of mind** with the best warranty in the business. We stand behind our products. Enjoy a full 3 year warranty plus additional 3 years on the sealed refrigeration system.

### Design Flexibility



Perlick boasts the **industry's widest selection** of undercounter refrigeration - including 135 exclusive models. Available in 15", 24" and 48" models, ADA compliant models and industry exclusive Sottile 18" shallow depth models, Perlick has refrigeration to accommodate any sized indoor or outdoor space. All models are available in stainless steel or fully integrated door/drawer options with field-reversible hinging.

### Superior Shelving



All Perlick models come standard with **full extension pullout shelving**. Shelves are black vinyl coated and adjustable anywhere in the cabinet to accommodate various sized products. Shelves glide smoothly in and out of the cabinet on stainless steel ball-bearing glides for ease of use.

# Refrigerator Comparison

What is the difference between the 24" Signature Series and 24" C-Series Refrigerator?

## SIGNATURE SERIES

(HP24RS/HP24RO)

## C-SERIES

(HC24RB/HC24RO)

**1,000 BTU**  
VARIABLE-SPEED

**COMPRESSOR**  
Signature Series 1,000 Btu variable-speed  
C-Series Standard 525 Btu

**525 BTU**  
STANDARD



**CONTROLLER**  
Signature Series State-of-the-Art digital controller  
C-Series Standard digital controller



**INTERIOR LIGHT**  
Signature Series Features adjustable LEDs that can be switched between Crisp White and Cool Blue  
C-Series Standard incandescent appliance light located on the ceiling of the unit



**OUTDOOR MODEL AVAILABLE?**  
Signature Series Yes, all Signature Series Refrigerators are available as indoor and outdoor models  
C-Series Available as solid door and drawer models



**EXTERIOR/HANDLE**  
Signature Series Stainless Steel exterior / Two-Tone Signature handle  
C-Series Black Vinyl Clad exterior (indoor models), Stainless Steel exterior (outdoor models)/ Towel bar style handle



# Beverage Center Comparison

What is the difference between the 24" Signature Series and 24" C-Series Beverage Center?

**SIGNATURE SERIES**  
(HP24BS/HP24BO)

**C-SERIES**  
(HC24BB )

**1,000 BTU**  
VARIABLE-SPEED

**COMPRESSOR**  
Signature Series 1,000 Btu variable-speed  
C-Series Standard 525 Btu

**525 BTU**  
STANDARD



**CONTROLLER**  
Signature Series State-of-the-Art digital controller  
C-Series Standard digital controller



**INTERIOR LIGHT**  
Signature Series Features adjustable LEDs that can be switched between Crisp White and Cool Blue  
C-Series Standard incandescent appliance light located on the ceiling of the unit



**OUTDOOR MODEL AVAILABLE**  
Signature Series Yes, all Signature Series Beverage Centers are available as indoor and outdoor models  
C-Series Not Available

**NOT AVAILABLE**



**EXTERIOR/HANDLE**  
Signature Series Stainless Steel exterior / Two-Tone Signature handle  
C-Series Black Vinyl Clad exterior (indoor models), Stainless Steel exterior (outdoor models) / Towel bar style handle





# Wine Reserve Comparison

What is the difference between the 24" Signature Series and 24" C-Series Wine Reserve?

**SIGNATURE SERIES**  
(HP24WS/HP24WO)

**C-SERIES**  
(HC24WB)

**1,000 BTU**  
VARIABLE-SPEED

**COMPRESSOR**  
**Signature Series** 1,000 Btu variable-speed  
**C-Series** Standard 525 Btu

**525 BTU**  
STANDARD



**CONTROLLER**  
**Signature Series** State-of-the-Art digital controller  
**C-Series** Standard digital controller



**INTERIOR LIGHT**  
**Signature Series** Features adjustable LEDs that can be switched between Crisp White and Cool Blue  
**C-Series** Standard incandescent appliance light located on the ceiling of the unit



**OUTDOOR MODEL AVAILABLE**  
**Signature Series** Yes, all Signature Series Wine Reserves available as indoor and outdoor models  
**C-Series** Not available

**NOT AVAILABLE**



**EXTERIOR/HANDLE**  
**Signature Series** Stainless Steel exterior / Two-Tone Signature handle  
**C-Series** Black Vinyl Clad exterior / Towel bar style handle



# Beer Dispenser Comparison

What is the difference between the 24" Signature Series and the new 24" C-Series Beer Dispensers?

**SIGNATURE SERIES**  
(HP24TS/HP24TO)

**C-SERIES**  
HC24TB/HC24TO

**1,000 BTU**  
VARIABLE-SPEED

**COMPRESSOR**  
Signature Series 1,000 Btu variable-speed  
C-Series Standard 525 Btu

**525 BTU**  
STANDARD



**CONTROLLER**  
Signature Series State-of-the-Art digital controller  
C-Series Standard digital controller



**INTERIOR LIGHT**  
Signature Series Features adjustable LEDs that can be switched between Crisp White and Cool Blue  
C-Series Standard incandescent appliance light located on the ceiling of the unit

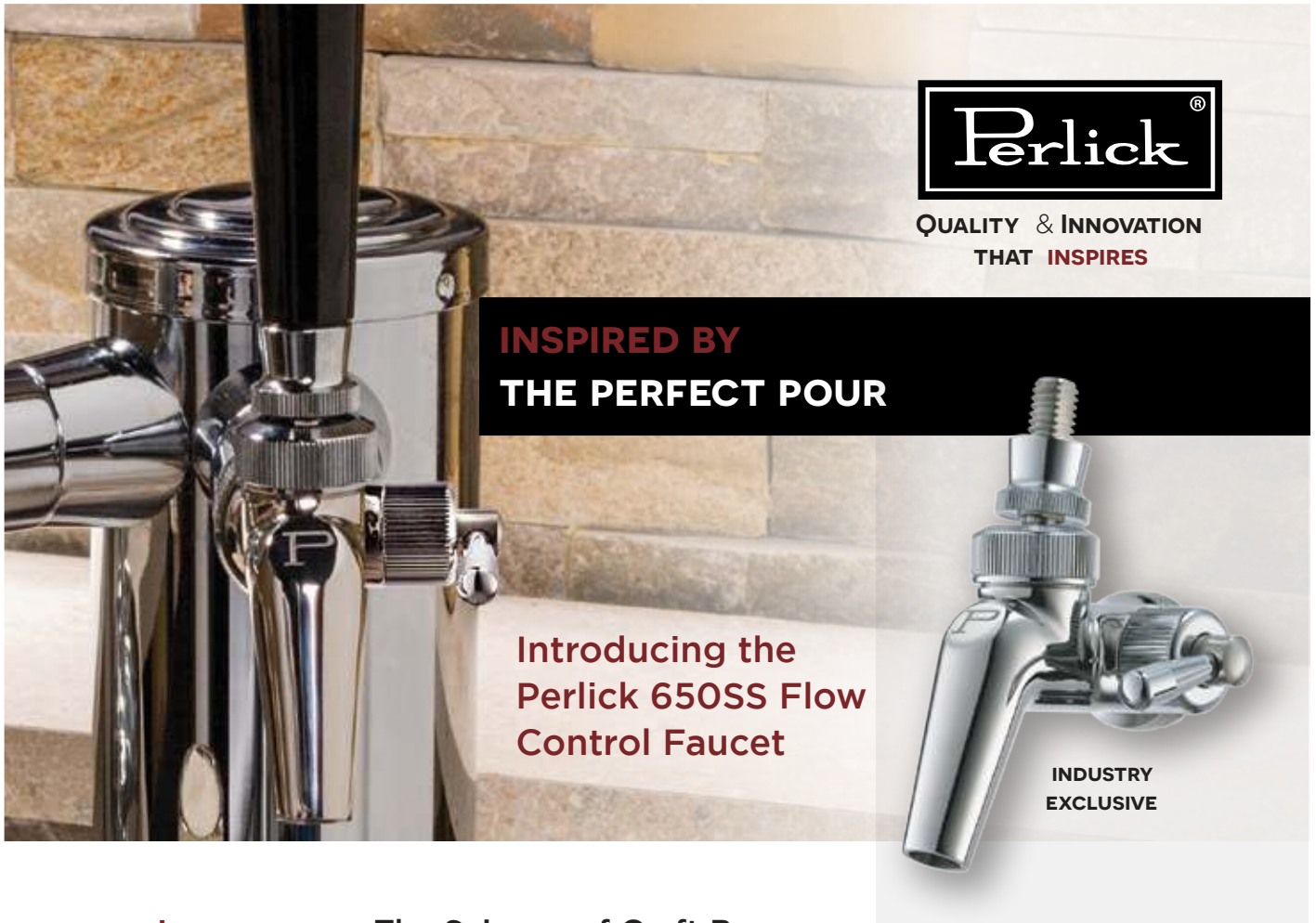


**BEER FAUCET**  
Signature Series Industry Exclusive 650SS Forward Sealing Flow Control Faucet  
C-Series Industry Exclusive 630SS Forward Sealing Faucet



**EXTERIOR/HANDLE**  
Signature Series Stainless Steel exterior / Two-Tone Signature handle  
C-Series Black Vinyl Clad exterior (indoor models), Stainless Steel exterior (outdoor models) / Towel bar style handle

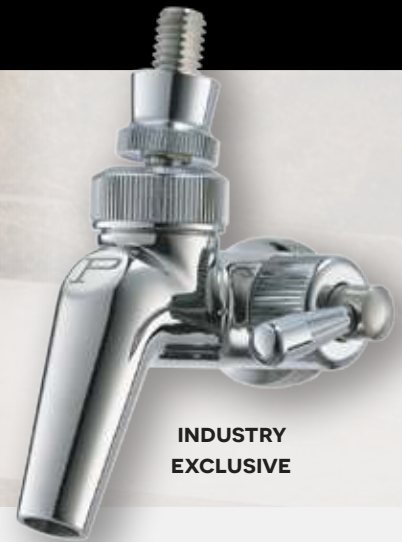




QUALITY & INNOVATION  
THAT **INSPIRES**

**INSPIRED BY  
THE PERFECT POUR**

**Introducing the  
Perlick 650SS Flow  
Control Faucet**



**INDUSTRY  
EXCLUSIVE**

**INSPIRED BY: The Science of Craft Beer**

Perlick is known for impressive innovations in beer dispensing, and those same innovations have crossed over into our collection of Signature Series Beer Dispensers.

We're excited to announce that all Signature Series Beer Dispensers will be now outfitted with the revolutionary new **Forward-Seated Flow Control Faucet**. Exclusive to Perlick, this new faucet puts you in control of the pour of your beer. Certain craft beers require a slower pour to create a proper head, which can be accomplished with a simple lever adjustment.



↓ *Slow the pour by adjusting the flow control lever downwards. Slowing the pour will help eliminate excessive foaming when pouring, particularly into frosted glasses, and aide in the proper serving of hard-to-pour craft beers.*

↑ *Speed up the pour for standard macro brands or any easy-to-pour microbrews.*

**Learn more at [perlick.com](http://perlick.com)**

## NEW Perlick Column Refrigeration

Meet the industry's latest innovation in integrated column refrigeration. Perlick's all new Column Refrigeration series combines state-of-the-art refrigeration performance with sleek, eye-catching aesthetics.

### FEATURES

- Columns feature flush installation for full integration into surrounding cabinetry
- PerliQ™ Touch screen control provides streamlined access to a variety of options
- Eye-catching mix of stainless steel interiors and vibrant white lighting (wine columns also feature Cool Blue lighting)
- Refrigerator model features state-of-the-art QuatroCool™ refrigeration system with four separate temperature zones, dual chamber air filtration and authentic humidity control
- Refrigerator features spill-proof shelving, glass shelves that feature nanotechnology to contain spills within an undetectable border
- Wine models feature convertible display shelving and smart humidity control
- Accessories - including dual installation kit, side enclosure panels, etc.
- Dimensions: 24" = 24"W x 24"D x 84"H  
30" = 30"W x 24"D x 84"H
- Three-year full parts and labor warranty with Product Registration on complete unit - additional twelve-year limited warranty on the sealed refrigeration system.

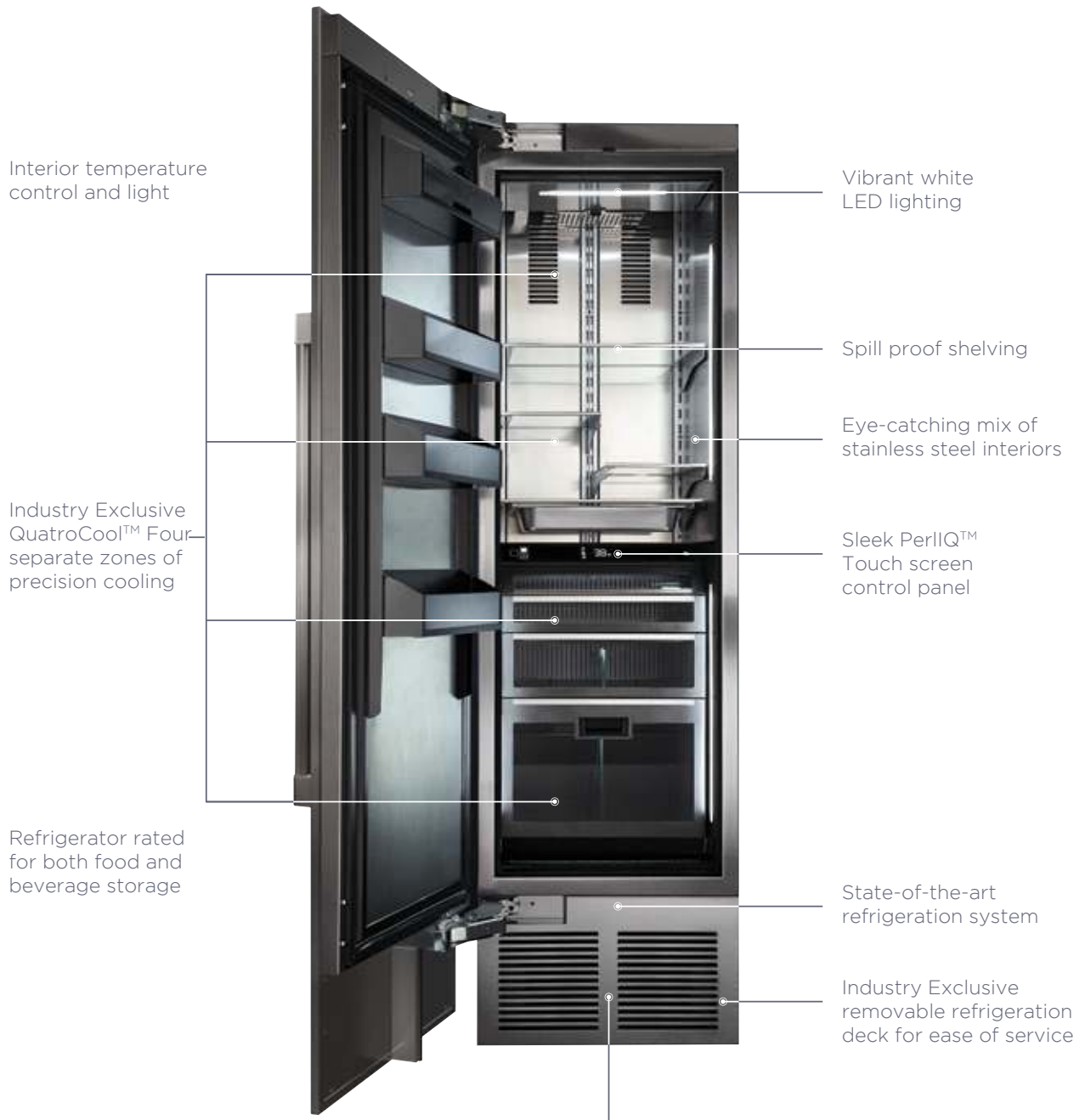


HP24BB-3-3L - 24" Signature Series Beverage Center- 24". CR24D-1-4R - Column Dual-Zone Wine Reserve



# NEW Perlick Column Refrigeration

Meet the industry's latest innovation in integrated column refrigeration. Perlick's all new Column Refrigeration series combines state-of-the-art refrigeration performance with sleek, eye-catching aesthetics.



Available in 24" and 30" widths

Perlick Column Refrigeration

## Column Refrigeration Features - Indoor



### COLUMN REFRIGERATOR FEATURES

- Available in 24" and 30"
- Interior temperature control and light
- State-of-the-art refrigeration system
- Vibrant white LED lighting
- Eye-catching mix of stainless steel interiors
- Spill-proof shelving
- Refrigerator rated for both food and beverage storage
- Soft Close produce tip-out bin
- QuatroCool™ Four separate zones of precision cooling
- Sleek PerliQ™ Touch screen control panel
- 24"-12.6 CuFt of Storage Capacity
- 30"-16.6 CuFt of Storage Capacity
- Sabbath mode
- Removable refrigeration deck for ease of service



### COLUMN FREEZER FEATURES

- Interior temperature control and light
- State-of-the-art refrigeration system
- Vibrant white LED lighting
- Eye-catching mix of stainless steel interiors
- Full extension pull-out bins
- QuatroCool™ Four separate zones of precision cooling
- Sleek PerliQ™ Touch screen control panel
- 12.6 CuFt of Storage Capacity
- Sabbath mode
- Removable refrigeration deck for ease of service



### COLUMN WINE RESERVE - SINGLE ZONE FEATURES

- Interior temperature control and light
- State-of-the-art refrigeration system
- Vibrant white or blue LED lighting
- Eye-catching mix of stainless steel interiors
- Convertible display shelving
- Soft-Coat shelving eliminates vibration transfer to reserve
- Triple pane UV resistant glass
- Automatic smart humidity control
- 12.6 CuFt of storage Capacity
- QuatroCool™ Four separate zones of precision cooling
- Sleek PerliQ™ Touch screen control panel
- Provides storage for up to 94 bottles of wine
- Sabbath mode
- Removable refrigeration deck for ease of service



### COLUMN WINE RESERVE - DUAL ZONE FEATURES

- Interior temperature control and light
- State-of-the-art refrigeration system
- Vibrant white and blue lighting
- Eye-catching mix of stainless steel interiors
- Convertible display shelving
- Soft-Coat shelving
- Triple pane UV resistant glass
- Automatic smart humidity control
- Dual-Zone temperature settings to allow storage of both red and white wines.
- 12.6 CuFt of Storage Capacity
- QuatroCool™ Four separate zones of precision cooling
- Sleek PerliQ™ Touch screen control panel
- Provides storage for up to 86 bottles of wine
- Sabbath mode
- Removable refrigeration deck for ease of service

## 30" BUILT-IN COLUMN REFRIGERATION



CR30R-1-2L



### 30" Built-In Column Refrigerators - Indoor

MODEL	DESCRIPTION	UMRP (BUILDER)	MSRP (RETAIL)
CR30R-1-2L	All Refrigerator, Solid Overlay Door, Left Hinge	\$ 7,799	\$ 8,346
CR30R-1-2R	All Refrigerator, Solid Overlay Door, Right Hinge	\$ 7,799	\$ 8,346

### Installation Kits

MODEL	DESCRIPTION	UMRP (BUILDER)	MSRP (RETAIL)
CR-ACC-D1	Dual Installation Kit (Handle to Handle) - Includes Joining Kit & Thermal Heater	\$ 345	\$ 369
CR-ACC-D1N	Dual Installation Kit (Handle to Handle or Handle to Hinge) - Less Thermal Heater	\$ 290	\$ 310
CR-ACC-D2N	Dual Installation Kit (Hinge to Handle) - Less Thermal Heater	\$ 290	\$ 310
CR-ACC-24SEPR	Factory Installed SS Exterior Finishing Panel, Right Side	\$ 259	\$ 277
CR-ACC-24SEPL	Factory Installed SS Exterior Finishing Panel, Left Side	\$ 259	\$ 277

### Stainless Steel Door Panel - 4" Toe Kick

MODEL	DESCRIPTION	UMRP (BUILDER)	MSRP (RETAIL)
CR-SS-30PDL4	30" SS Door Panel, 4" Toe Kick, Handle, Left Hinge	\$ 800	\$ 857
CR-SS-30PDR4	30" SS Door Panel, 4" Toe Kick, Handle, Right Hinge	\$ 800	\$ 857

### Stainless Steel Door Panel - 6" Toe Kick

MODEL	DESCRIPTION	UMRP (BUILDER)	MSRP (RETAIL)
CR-SS-30PDL6	30" SS Door Panel, 6" Toe Kick, Handle, Left Hinge	\$ 800	\$ 857
CR-SS-30PDR6	30" SS Door Panel, 6" Toe Kick, Handle, Right Hinge	\$ 800	\$ 857

## 24" BUILT-IN COLUMN REFRIGERATION

### 24" Built-In Column Refrigerators - Indoor

MODEL	DESCRIPTION	UMRP (BUILDER)	MSRP (RETAIL)
CR24R-1-2L	All Refrigerator, Solid Overlay Door, Left Hinge	\$ 7,129	\$ 7,628
CR24R-1-2R	All Refrigerator, Solid Overlay Door, Right Hinge	\$ 7,129	\$ 7,628



CR24R-1-2L

### 24" Built-In Column Freezers - Indoor

MODEL	DESCRIPTION	UMRP (BUILDER)	MSRP (RETAIL)
CR24F-1-2L	All Freezer, Solid Overlay Door, Left Hinge	\$ 6,969	\$ 7,457
CR24F-1-2R	All Freezer, Solid Overlay Door, Right Hinge	\$ 6,969	\$ 7,457



CR24F-1-2R

### 24" Built-In Column Wine Reserves - Single Zone - Indoor

MODEL	DESCRIPTION	UMRP (BUILDER)	MSRP (RETAIL)
CR24W-1-4L	Wine Reserve, Single Zone, Glass Overlay Door, Left Hinge	\$ 6,759	\$ 7,232
CR24W-1-4R	Wine Reserve, Single Zone, Glass Overlay Door, Right Hinge	\$ 6,759	\$ 7,232



CR24W-1-4L



## 24" BUILT-IN COLUMN REFRIGERATION



CR24D-1-4R

### 24" Built-In Column Wine Reserves - Dual Zone - Indoor

MODEL	DESCRIPTION	UMRP (BUILDER)	MSRP (RETAIL)
CR24D-1-4L	Wine Reserve, Dual Zone, Glass Overlay Door, Left Hinge	\$ 7,129	\$ 7,628
CR24D-1-4R	Wine Reserve, Dual Zone, Glass Overlay Door, Right Hinge	\$ 7,129	\$ 7,628

### Installation Kits

MODEL	DESCRIPTION	UMRP (BUILDER)	MSRP (RETAIL)
CR-ACC-D1	Dual Installation Kit (Includes Joining Kit & Thermal Heater)	\$ 345	\$ 369
CR-ACC-D1N	Dual Installation Kit (Handle to Handle or Handle to Hinge) - Less Thermal Heater	\$ 290	\$ 310
CR-ACC-D2N	Dual Installation Kit (Hinge to Handle) - Less Thermal Heater	\$ 290	\$ 310
CR-ACC-24SEPR	Factory Installed SS Exterior Finishing Panel, Right Side	\$ 259	\$ 277
CR-ACC-24SEPL	Factory Installed SS Exterior Finishing Panel, Left Side	\$ 259	\$ 277

### Stainless Steel Door Panel - 4" Toe Kick

MODEL	DESCRIPTION	UMRP (BUILDER)	MSRP (RETAIL)
CR-SS-24PDL4	24" SS Door Panel, 4" Toe Kick, Handle, Left Hinge	\$ 625	\$ 669
CR-SS-24PDR4	24" SS Door Panel, 4" Toe Kick, Handle, Right Hinge	\$ 625	\$ 669
CR-SG-24PDL4	24" SS Glass Door Panel, 4" Toe Kick, Handle, Left Hinge	\$ 625	\$ 669
CR-SG-24PDR4	24" SS Glass Door Panel, 4" Toe Kick, Handle, Right Hinge	\$ 625	\$ 669

### Stainless Steel Door Panel - 6" Toe Kick

MODEL	DESCRIPTION	UMRP (BUILDER)	MSRP (RETAIL)
CR-SS-24PDL6	24" SS Door Panel, 6" Toe Kick, Handle, Left Hinge	\$ 625	\$ 669
CR-SS-24PDR6	24" SS Door Panel, 6" Toe Kick, Handle, Right Hinge	\$ 625	\$ 669
CR-SG-24PDL6	24" SS Glass Door Panel, 6" Toe Kick, Handle, Left Hinge	\$ 625	\$ 669
CR-SG-24PDR6	24" SS Glass Door Panel, 6" Toe Kick, Handle, Right Hinge	\$ 625	\$ 669

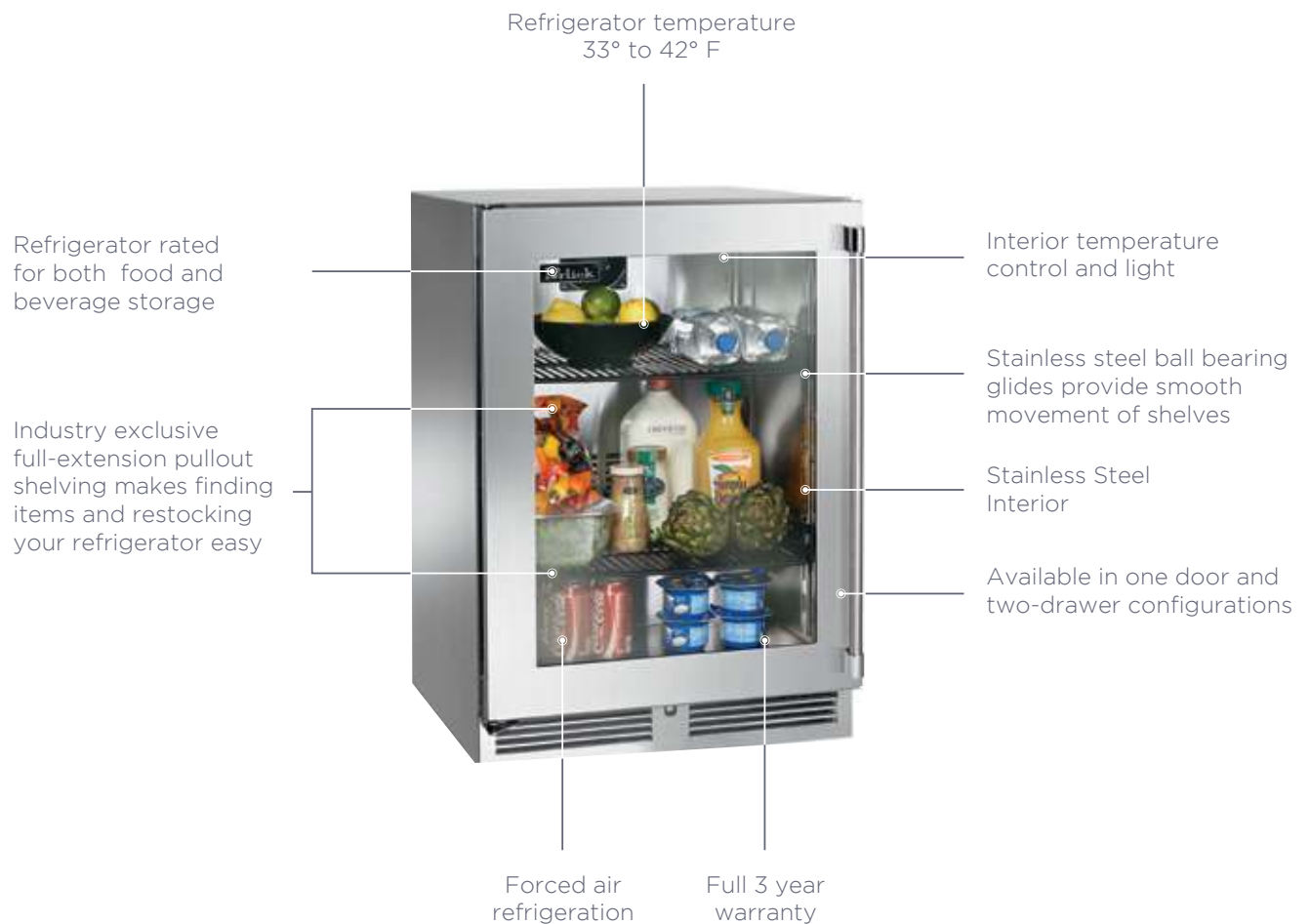
## BUILT-IN COLUMN REFRIGERATION ACCESSORIES

### Column Accessories

MODEL	DESCRIPTION	UMRP (BUILDER)	MSRP (RETAIL)
CR-PRO-HANDLE	Two Tone Perlick Pro Handle Only	\$ 155	\$ 166
CR-ACC-24SEPL	Factory Installed SS Exterior Finishing Panel, Left Side	\$ 259	\$ 277
CR-ACC-24SEPR	Factory Installed SS Exterior Finishing Panel, Right Side	\$ 259	\$ 277
CR-ACC-2401	Standard Door Bin (Glass Front) for CR24R models	\$ 209	\$ 224
CR-ACC-2402	Divider, Tip Out Produce Bin for CR24R models	\$ 52	\$ 56
CR-ACC-2403	Divider, Meat/Fish Drawer for CR24R models	\$ 42	\$ 45
CR-ACC-2404	Standard Door Bin (Solid Front) for CR24F models	\$ 182	\$ 195
CR-ACC-FILTER-C	Replacement Carbon Filter for CR24R, CR24W, CR24D	\$ 42	\$ 45
CR-ACC-FILTER-E	Replacement Ethylene Filter for CR24R	\$ 42	\$ 45

# Perlick Undercounter Refrigeration Units

There is a reason that Perlick is regarded as the industry leader in undercounter refrigeration. Unmatched cooling performance is complimented by a bevy of thoughtful design details for convenience and beauty. Inspired by their commercial offering, the residential undercounter products include a thoughtful selection of features in a wide variety of options. They have mastered the art of balancing innovation and craftsmanship . You can trust Perlick to provide precision temperature control and build every unit with the finest features and materials.



\* Unit shown is a Signature Series HP24RS-3-3L.

## C-Series - Indoor

There is a reason that Perlick is regarded as the industry leader in undercounter refrigeration. Unmatched cooling performance is complimented by a bevy of thoughtful design details for convenience and beauty. Inspired by our commercial offering, the C-Series includes a thoughtful selection of features in a 24" width. We've mastered the art of balancing innovation and craftsmanship . You can trust Perlick to provide precision temperature control and build every unit with the finest features and materials. Select outdoor models available.

### FEATURES

- Commercial-grade stainless steel interiors
- Designed with fully-integrated depth to allow flush fit surrounding cabinetry
- Zero-clearance hinging allows for abutment with surrounding cabinetry
- Digital LED Control
- Powered by a whisper-quiet, commercial-grade compressor with a 525-BTU output
- Two-inch thick walls provide superior insulation and minimize vibrations
- Glass doors offer full UV protection
- Door locks available to prevent unwanted access
- Reversible swing door with optional hinge kit
- Three-year full warranty with Product Registration on complete unit - additional three year limited warranty on the sealed refrigeration system



HC24BB-3-3R - 24" C-Series Beverage Center





### REFRIGERATOR FEATURES

- Interior temperature control and light
- Available in one door and two-drawer configurations
- Industry exclusive full-extension pullout shelving makes finding items and restocking your refrigerator easy
- Refrigerator rated for both food and beverage storage
- Stainless steel ball bearing glides provide smooth movement of shelves
- Refrigerator temperature 33° to 42° F



### BEVERAGE CENTER FEATURES

- Interior temperature control and light
- Three-vinyl coated, full-extension shelves: two top shelves are wine racks and third shelf can accommodate a variety of beverages
- Beverage Center temperature 33° to 48° F



### WINE RESERVE FEATURES

- Interior temperature control and light
- Wine reserve construction eliminates vibration transfer to reserve
- Industry exclusive full-extension pullout shelving makes finding items and restocking your wine reserve easy
- Stainless steel ball bearing glides provide smooth movement of shelves
- Wine Reserve temperature 45° to 65° F



### BEER DISPENSER FEATURES

- Refrigeration system keeps beer at precise serving temperature
- Complete, self-contained beer system
- Portable drainer, no plumbing required
- Will hold one 1/4 keg or two 1/6 kegs
- Available with solid stainless steel or wood overlay door
- Beer Dispenser temperature 33° to 42° F

C-SERIES - BUILT-IN



HC24RB-3-3R

24" C-Series - Refrigerators - Built-In - Indoor

MODEL	DESCRIPTION	UMRP (BUILDER)	MSRP (RETAIL)
HC24RB-3-1L	SS solid door, hinge left	\$ 2,679	\$ 2,867
HC24RB-3-1R	SS solid door, hinge right	\$ 2,679	\$ 2,867
HC24RB-3-2L	Fully integrated solid door, hinge left	\$ 2,549	\$ 2,727
HC24RB-3-2R	Fully integrated solid door, hinge right	\$ 2,549	\$ 2,727
HC24RB-3-3L	SS glass door, hinge left	\$ 2,829	\$ 3,027
HC24RB-3-3R	SS glass door, hinge right	\$ 2,829	\$ 3,027
HC24RB-3-4L	Fully integrated glass door, hinge left	\$ 2,699	\$ 2,888
HC24RB-3-4R	Fully integrated glass door, hinge right	\$ 2,699	\$ 2,888
HC24RB-3-5	SS drawers	\$ 3,269	\$ 3,498
HC24RB-3-6	Fully integrated drawers	\$ 3,139	\$ 3,359



HC24BB-3-3R

24" C-Series - Beverage Centers - Built-In - Indoor

MODEL	DESCRIPTION	UMRP (BUILDER)	MSRP (RETAIL)
HC24BB-3-1L	SS solid door, hinge left	\$ 2,729	\$ 2,920
HC24BB-3-1R	SS solid door, hinge right	\$ 2,729	\$ 2,920
HC24BB-3-2L	Fully integrated solid door, hinge left	\$ 2,599	\$ 2,781
HC24BB-3-2R	Fully integrated solid door, hinge right	\$ 2,599	\$ 2,781
HC24BB-3-3L	SS glass door, hinge left	\$ 2,889	\$ 3,091
HC24BB-3-3R	SS glass door, hinge right	\$ 2,889	\$ 3,091
HC24BB-3-4L	Fully integrated glass door, hinge left	\$ 2,759	\$ 2,952
HC24BB-3-4R	Fully integrated glass door, hinge right	\$ 2,759	\$ 2,952



HC24WB-3-3R

24" C-Series - Wine Reserves - Built-In - Indoor

MODEL	DESCRIPTION	UMRP (BUILDER)	MSRP (RETAIL)
HC24WB-3-1L	SS solid door, hinge left	\$ 2,839	\$ 3,038
HC24WB-3-1R	SS solid door, hinge right	\$ 2,839	\$ 3,038
HC24WB-3-2L	Fully integrated solid door, hinge left	\$ 2,709	\$ 2,899
HC24WB-3-2R	Fully integrated solid door, hinge right	\$ 2,709	\$ 2,899
HC24WB-3-3L	SS glass door, hinge left	\$ 2,989	\$ 3,198
HC24WB-3-3R	SS glass door, hinge right	\$ 2,989	\$ 3,198
HC24WB-3-4L	Fully integrated glass door, hinge left	\$ 2,859	\$ 3,059
HC24WB-3-4R	Fully integrated glass door, hinge right	\$ 2,859	\$ 3,059

\* Equipped with Energy Star Technology

See Full List of Accessories on Page 63

STOCK ITEMS ARE LISTED IN RED

## C-SERIES - BUILT-IN

### 24" C-Series - Beer Dispensers - Built-In

MODEL	DESCRIPTION	UMRP (BUILDER)	MSRP (RETAIL)
HC24TB-3-1L1	SS solid door, hinge left / 1 tap	\$ 3,489	\$ 3,733
HC24TB-3-1R1	SS solid door, hinge right / 1 tap	\$ 3,489	\$ 3,733
HC24TB-3-2L1	Fully integrated solid door, hinge left / 1 tap	\$ 3,359	\$ 3,594
HC24TB-3-2R1	Fully integrated solid door, hinge right / 1 tap	\$ 3,359	\$ 3,594
HC24TB-3-1L2	SS solid door, hinge left / 2 tap	\$ 3,899	\$ 4,172
HC24TB-3-1R2	SS solid door, hinge right / 2 tap	\$ 3,899	\$ 4,172
HC24TB-3-2L2	Fully integrated solid door, hinge left / 2 tap	\$ 3,759	\$ 4,022
HC24TB-3-2R2	Fully integrated solid door, hinge right / 2 tap	\$ 3,759	\$ 4,022



HC24TB-3-1R2

### Accessories for C-Series Beer Dispensers

MODEL	DESCRIPTION	UMRP (BUILDER)	MSRP (RETAIL)
66585-2	Dual Faucet Tapping Kit (if sold separately)	\$ 1,418	\$ 1,517
63797	Cleaning Kit (includes pump, sanitizer and tools to clean lines)	\$ 177	\$ 189
BLC4	Sanitizer 4 oz. Bottle	\$ 6	\$ 6
BLC32	Sanitizer 33 oz. Bottle	\$ 24	\$ 26
40030S	Lo-Boy "S" Series Keg Coupler*	\$ 147	\$ 157
40030SSLD	Lo-Boy "D" Series Keg Coupler*	\$ 130	\$ 139
308-40C	Faucet Lock	\$ 92	\$ 98
630SS	630SS Forward sealing Beer Faucet	\$ 87	\$ 93
67141-1	Perlick Faucet Handle	\$ 79	\$ 85
67782	Drip Pan for Beer Dispensers	\$ 153	\$ 164
RS-CDK	Iced Coffee Dispensing Kit - <b>New</b>	\$ 520	\$ 556
RS-25KG	Coffee Keg - <b>New</b>	\$ 312	\$ 334
RS-NCY	Nitrogen Cylinder - <b>New</b>	\$ 156	\$ 167



RS-24-24R



RS-24-24W



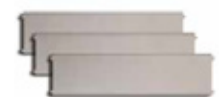
RS-24-24D

### Accessories for C-Series

MODEL	DESCRIPTION	UMRP (BUILDER)	MSRP (RETAIL)
L1	Door Locks, Factory Installed (Stainless Steel Only)	\$ 26	\$ 28
67991-L	Stacking Kit - HP24/HC24/HA24 - Hinge Left	\$ 294	\$ 315
67991-R	Stacking Kit - HP24/HC24/HA24 - Hinge Right	\$ 294	\$ 315
66736	Castors (24" Units)	\$ 344	\$ 368
67439L	Left Hinge Kit	\$ 135	\$ 144
67439R	Right Hinge Kit	\$ 135	\$ 144
RS-24-24R	Refrigerator/Freezer Shelf	\$ 139	\$ 149
RS-24-24D	Divider Shelf	\$ 169	\$ 181
RS-24-24W	Wine Shelf	\$ 139	\$ 149
67115-24	Wine Shelf Wood Faces (bundle of 7)	\$ 116	\$ 124
67964	24" Stainless Steel Drawer Dividers (Set of 3)	\$ 85	\$ 91
RK24DP	Drawer Pan Organizer	\$ 225	\$ 241
67440L	Door Lock, Left-Field Install Overlay Only	\$ 142	\$ 152
67440R	Door Lock, Right-Field Install Overlay Only	\$ 142	\$ 152



67115-24



67964



RK24DP

For Outdoor C-Series Refrigerator and Beer Dispenser, See Page 44

## 15" Signature Series

They say good things come in small packages and Perlick Corporation is poised to prove this with its line of luxury undercounter refrigeration that is a mere 15" wide. The 15" Signature Series from Perlick features the world's first 15" Beer Dispenser and the world's first 15" Refrigerator Drawers. Also included in this line is a Refrigerator, Beverage Center, Wine Reserve, and Clear Ice Maker. The entire 15" Signature Series is available in both indoor and outdoor models.

### FEATURES

- Designed with fully-integrated depth to allow flush fit with surrounding cabinetry (with 3/4" wood overlay)
- Zero-clearance hinging allows for abutment with surrounding cabinetry
- Best in Class 525-BTU commercial-grade compressor
- Front-vented, RAPIDcool forced-air refrigeration
- Industry exclusive commercial-grade stainless steel interior
- Industry exclusive convertible door design allows all doors to be converted to wood overlay from stainless steel
- Low-E, UV-coated glass provides industry leading insulation and protection
- Door locks available
- Three-year full warranty with Product Registration on complete unit - additional three year limited warranty on the sealed refrigeration system (excludes Clear Ice Makers)



HP15WS-3-3L - 15" Signature Series Wine Reserve



HP15RS-3-3L / HP24ZS-3-5 - 15" Signature Series Refrigerator / 24" Signature Series Dual-Zone Freezer/Refrigerator Drawers





### REFRIGERATOR FEATURES

- Two industry exclusive full-extension pullout shelves
- Full-extension shelves are adjustable
- Stainless steel ball bearing glides provide smooth movement of shelves
- Refrigerator rated for both food and beverage storage
- Refrigerator temperature 33° to 42° F



### REFRIGERATOR DRAWER FEATURES

- Industry exclusive stainless steel drawers
- Drawers are tall enough to store bottles and gallons of milk
- Refrigerator drawers are rated for both food and beverage storage
- Refrigerator drawer temperature 33° to 42° F



### BEVERAGE CENTER FEATURES

- Allows for storage of both wine and beverages
- Two wine shelves, one industry exclusive full extension pullout shelf
- Shelving positions are adjustable to suit your needs
- Beverage Center temperature 33° to 48° F



### WINE RESERVE FEATURES

- Five shelves will store up to 20 wine bottles
- Extra storage under shelves for up to 3 additional bottles
- Stainless steel ball bearing glides provide smooth movement of shelves
- Cabinet construction eliminates vibration transfer to reserve
- Wine Reserve temperature 45° to 65° F



### BEER DISPENSER FEATURES

- Refrigeration system keeps beer at precise serving temperature
- Complete, self-contained beer system
- Portable drainer, no plumbing required
- Will hold one 1/6 keg
- Available with solid stainless steel or wood overlay door
- Beer Dispenser temperature 33° to 42° F



### ICE MAKER FEATURES

- Available in Clear and Cubelet Ice Versions
- Cubelet Ice Maker produces soft, chewable, nugget-shaped ice
- Clear Ice Maker produces up to 55 pounds of ice per day and stores up to 22 pounds of ice
- Cubelet produces up to 80 pounds of ice per 24 hour period and stores up to 22 pounds of ice
- UL approved for outdoor use
- Optional drain pump

## 15" SIGNATURE SERIES

### 15" Signature Series - Refrigerators - Indoor



HP15RS-3-1R

MODEL	DESCRIPTION	UMRP (BUILDER)	MSRP (RETAIL)
HP15RS-3-1L	SS solid door, hinge left	\$ 3,239	\$ 3,466
HP15RS-3-1R	SS solid door, hinge right	\$ 3,239	\$ 3,466
HP15RS-3-2L	Fully integrated solid door, hinge left	\$ 3,109	\$ 3,327
HP15RS-3-2R	Fully integrated solid door, hinge right	\$ 3,109	\$ 3,327
HP15RS-3-3L	SS glass door, hinge left	\$ 3,389	\$ 3,626
HP15RS-3-3R	SS glass door, hinge right	\$ 3,389	\$ 3,626
HP15RS-3-4L	Fully integrated glass door, hinge left	\$ 3,259	\$ 3,487
HP15RS-3-4R	Fully integrated glass door, hinge right	\$ 3,259	\$ 3,487
HP15RS-3-5	SS drawers	\$ 3,829	\$ 4,097
HP15RS-3-6	Fully integrated drawers	\$ 3,699	\$ 3,958

### 15" Signature Series - Beverage Centers - Indoor



HP15BS-3-3R

MODEL	DESCRIPTION	UMRP (BUILDER)	MSRP (RETAIL)
HP15BS-3-1L	SS solid door, hinge left	\$ 3,289	\$ 3,519
HP15BS-3-1R	SS solid door, hinge right	\$ 3,289	\$ 3,519
HP15BS-3-2L	Fully integrated solid door, hinge left	\$ 3,159	\$ 3,380
HP15BS-3-2R	Fully integrated solid door, hinge right	\$ 3,159	\$ 3,380
HP15BS-3-3L	SS glass door, hinge left	\$ 3,449	\$ 3,690
HP15BS-3-3R	SS glass door, hinge right	\$ 3,449	\$ 3,690
HP15BS-3-4L	Fully integrated glass door, hinge left	\$ 3,319	\$ 3,551
HP15BS-3-4R	Fully integrated glass door, hinge right	\$ 3,319	\$ 3,551

### 15" Signature Series - Wine Reserves - Indoor



HP15WS-3-3R

MODEL	DESCRIPTION	UMRP (BUILDER)	MSRP (RETAIL)
HP15WS-3-1L	SS solid door, hinge left	\$ 3,499	\$ 3,744
HP15WS-3-1R	SS solid door, hinge right	\$ 3,499	\$ 3,744
HP15WS-3-2L	Fully integrated solid door, hinge left	\$ 3,369	\$ 3,605
HP15WS-3-2R	Fully integrated solid door, hinge right	\$ 3,369	\$ 3,605
HP15WS-3-3L	SS glass door, hinge left	\$ 3,659	\$ 3,915
HP15WS-3-3R	SS glass door, hinge right	\$ 3,659	\$ 3,915
HP15WS-3-4L	Fully integrated glass door, hinge left	\$ 3,529	\$ 3,776
HP15WS-3-4R	Fully integrated glass door, hinge right	\$ 3,529	\$ 3,776

\* Equipped with Energy Star Technology

**See Full List of Accessories on Page 63**

STOCK ITEMS ARE LISTED IN RED

## 15" SIGNATURE SERIES

### 15" Signature Series - Beer Dispensers - Indoor

MODEL	DESCRIPTION	UMRP (BUILDER)	MSRP (RETAIL)
HP15TS-3-1L	SS solid door, hinge left / 1 tap	\$ 4,099	\$ 4,386
HP15TS-3-1R	SS solid door, hinge right / 1 tap	\$ 4,099	\$ 4,386
HP15TS-3-2L	Fully integrated solid door, hinge left / 1 tap	\$ 3,969	\$ 4,247
HP15TS-3-2R	Fully integrated solid door, hinge right / 1 tap	\$ 3,969	\$ 4,247



HP15TS-3-1R

### 15" Signature Series - Beer Dispensers - Adara Tower

MODEL	DESCRIPTION	UMRP (BUILDER)	MSRP (RETAIL)
HP15TS-3-1LA	SS Solid Door, Hinge Left / 1 Tap - Adara Tower	\$ 4,619	\$ 4,942
HP15TS-3-1RA	SS Solid Door, Hinge Right / 1 Tap - Adara Tower	\$ 4,619	\$ 4,942
HP15TS-3-2LA	Solid Door, Hinge Left / 1 Tap - Adara Tower	\$ 4,489	\$ 4,803
HP15TS-3-2RA	Solid Door, Hinge Right / 1 Tap - Adara Tower	\$ 4,489	\$ 4,803



HP15TS-3-1RA

### Accessories - 15" Beer Dispensers

MODEL	DESCRIPTION	UMRP (BUILDER)	MSRP (RETAIL)
63797	Cleaning kit (includes pump, sanitizer, and tools to clean lines)	\$ 177	\$ 189
BLC4	Sanitizer, 4 oz bottle	\$ 6	\$ 6
BLC32	Sanitizer, 32 oz bottle	\$ 24	\$ 26
308-40C	Faucet Lock	\$ 92	\$ 98
67141-1	Perlick Faucet Handle	\$ 79	\$ 85
40030S	Lo-Boy "S" Series Keg Coupler**	\$ 147	\$ 157
40030SSLD	Lo-Boy "D" Series Keg Coupler*	\$ 130	\$ 139
67782	Drip Pan for Beer Dispensers	\$ 153	\$ 164
630SS	630SS Forward Sealing Beer Faucet	\$ 87	\$ 93
RS-CDK	Iced Coffee Dispensing Kit - <b>New</b>	\$ 520	\$ 556
RS-25KG	Coffee Keg - <b>New</b>	\$ 312	\$ 334
RS-NCY	Nitrogen Cylinder - <b>New</b>	\$ 156	\$ 167

### 15" Signature Series - Clear Ice Makers

MODEL	DESCRIPTION	UMRP (BUILDER)	MSRP (RETAIL)
H50IMS-L	Indoor/Outdoor Rated, SS solid door, hinge left	\$ 3,569	\$ 3,819
H50IMS-R	Indoor/Outdoor Rated, SS solid door, hinge right	\$ 3,569	\$ 3,819
H50IMW	Indoor/Outdoor Fully integrated, reversible door	\$ 3,569	\$ 3,819



H50IMS-R

### 15" Signature Series - Cubelet Ice Makers

MODEL	DESCRIPTION	UMRP (BUILDER)	MSRP (RETAIL)
H80CIMS-L	15" Cubelet Ice Maker, SS Solid Door, LH	\$ 3,799	\$ 4,065
H80CIMS-R	15" Cubelet Ice Maker, SS Solid Door, RH	\$ 3,799	\$ 4,065
H80CIMW	15" Cubelet Ice Maker, Panel Ready, Hinge Reversible	\$ 3,799	\$ 4,065



H80CIMS-R

### 15" Signature Series - Clear and Cubelet Ice Maker Accessories

MODEL	DESCRIPTION	UMRP (BUILDER)	MSRP (RETAIL)
63802A	Drain Pump	\$ 445	\$ 449
67282	SS Toe Kick - Ice Maker	\$ 91	\$ 97
EV-985700	Everpure EF3000 Filtration System	\$ 326	\$ 435

\*\*Used by brands such as Heineken, Newcastle, Stella Artois, Amstel, Bemish, Murphy's, Strongbow and Hofbrau.

**See Full List of Accessories on Page 63**

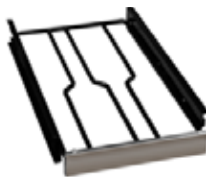
## 15" SIGNATURE SERIES

### Accessories for all 15" Units

MODEL	DESCRIPTION	UMRP (BUILDER)	MSRP (RETAIL)
L1	Door Locks, Factory Installed (Stainless Steel Only)	\$ 26	\$ 28
67990-L	Stacking Kit - HP15 - Hinge Left	\$ 294	\$ 315
67990-R	Stacking Kit - HP15 - Hinge Right	\$ 294	\$ 315
66736-15	Casters for 15" Units	\$ 193	\$ 207
67439L	Left Hinge Kit	\$ 135	\$ 144
67439R	Right Hinge Kit	\$ 135	\$ 144
RS-15-15R	15" Refrigerator Shelf	\$ 116	\$ 124
RS-15-15W	15" Wine Shelf	\$ 116	\$ 124
67115-15	Wine Shelf Wood Faces (bundle of 5)	\$ 116	\$ 124
67440L	Door Lock, Left - Field Install - Overlay Only	\$ 142	\$ 152
67440R	Door Lock, Right - Field Install - Overlay Only	\$ 142	\$ 152
RS-CDK	Iced Coffee Dispensing Kit - <b>New</b>	\$ 520	\$ 556
RS-25KG	Coffee Keg - <b>New</b>	\$ 312	\$ 334
RS-NCY	Nitrogen Cylinder - <b>New</b>	\$ 156	\$ 167



RS-15-15R



RS-15-15W



67115-24

## 24" Signature Series

It can hide discretely under a counter or it can make a bold statement as a functional stand-alone design element - either way, Perlick's 24" Signature Series undercounter refrigeration products provide you with exceptional versatility. The 24" Signature Series includes a Freezer and Refrigerator (with doors or drawers), Beverage Center, Beer Dispenser, Wine Reserve and Dual Zone Wine/Wine, Refrigerator/Wine and Freezer/Refrigerator. Doors can be specified with glass or stainless steel and can be integrated into surrounding cabinetry with a wood overlay. All 24" Signature Series models feature Perlick's exclusive variable speed compressor providing quiet, efficient power; a polished stainless steel interior; full-height doors and recessed lighting to add extra elegance.

### FEATURES

- Designed with fully-integrated depth to allow flush fit with surrounding cabinetry (with 3/4" wood overlay)
- Zero-clearance hinging allows for abutment with surrounding cabinetry
- Perlick's exclusive variable speed compressor
- Front-vented, forced-air refrigeration
- Industry exclusive full-extension shelving
- Industry exclusive stainless steel interior and exterior
- Industry exclusive convertible door design allows all doors to be converted to wood overlay from stainless steel
- Crisp White or Cool Blue LED lights
- Low-E, UV-coated glass provides industry leading insulation and protection
- Door locks available
- Enhanced interior digital display controller
- Three-year full warranty with Product Registration on complete unit - additional three year limited warranty on the sealed refrigeration system



HP24CS-3-3L, HP24TS-3-1R2A 24" Signature Series Dual Zone Refrigerator/Wine Reserve/ 24" Signature Series Adara Beer Dispenser



HP24CS-3-4L/ 24" Signature Series Dual Zone Refrigerator/ Wine Reserve with Overlay





## REFRIGERATOR FEATURES

- Refrigerator rated for both food and beverage storage
- Available with stainless steel door, glass door, fully integrated door, glass door with fully integrated trim, two stainless steel drawers or two fully integrated drawers.
- Refrigerator temperature 33° to 42° F



## FREEZER FEATURES

- Freezer equipped with automatic hot gas defrost for maintenance-free defrosting
- Available with solid stainless steel door, fully integrated door, two stainless steel drawers, or two fully integrated drawers
- Freezer temperature -10° to 10° F



## BEVERAGE CENTER FEATURES

- Beverage center rated for both food and beverage storage
- Allows for storage of both wine and beverages
- Available with stainless steel door, glass door, fully integrated door, or glass door with fully integrated trim
- Two full-extension wine shelves and one full-extension vinyl-coated shelf
- Shelving positions are adjustable to suit your needs
- Will hold up to 16 wine bottles, 62 cans, or 24 water bottles
- Beverage Center temperature 33° to 48° F



## WINE RESERVE FEATURES

- Five shelves will store up to 40 wine bottles
- Available with stainless steel door, glass door, fully integrated door, or fully integrated glass door
- Extra storage under shelves for up to five additional bottles
- Stainless steel ball bearing glides provide smooth movement of shelves
- Cabinet construction eliminates vibration transfer to reserve
- Wine temperature 45° to 65° F



### BEER DISPENSER FEATURES

- Refrigeration system keeps beer at precise serving temperature
- Available with solid stainless steel or fully integrated door
- Complete, self-contained beer system
- Portable drainer, no plumbing required
- Will hold one 1/4 keg or two 1/6 kegs
- Beer Dispenser temperature 33° to 42° F



### DUAL-ZONE WINE / WINE FEATURES

- Store red wine and white wine at their appropriate temperatures
- Full extension wine shelves are black vinyl coated to gently cradle bottles and reduce vibration
- Top zone (red wine) holds 14 bottles, bottom zone (white wine) holds 18 bottles
- Top zone temperature 51° to 65° F and bottom zone temperature 45° to 65° F



### DUAL-ZONE FREEZER / REFRIGERATOR

#### DRAWERS FEATURES

- Store fresh and frozen food at their appropriate temperatures
- Top drawer deep enough to accommodate a gallon of milk or other tall items
- Separate zones means no transfer of too-cold temperatures to the top compartment
- Top zone temperature 30° to 42° F and bottom zone temperature -10° to 10° F



### DUAL-ZONE REFRIGERATOR / WINE FEATURES

- Store wine and food (or cold beverages) at their appropriate temperatures
- Accommodates 14 bottles of wine in top zone
- Bottom zone features full extension refrigerator shelf for easy stocking and retrieving of product
- Top zone temperature 45° to 65° F and bottom zone temperature 33° to 42° F

## 24" SIGNATURE SERIES

### 24" Signature Series - Refrigerators - Indoor



HP24RS-3-3L

MODEL	DESCRIPTION	UMRP (BUILDER)	MSRP (RETAIL)
HP24RS-3-1L	SS solid door, hinge left	\$ 3,479	\$ 3,723
HP24RS-3-1R	SS solid door, hinge right	\$ 3,479	\$ 3,723
HP24RS-3-2L	Fully integrated solid door, hinge left	\$ 3,349	\$ 3,583
HP24RS-3-2R	Fully integrated solid door, hinge right	\$ 3,349	\$ 3,583
HP24RS-3-3L	SS glass door, hinge left	\$ 3,639	\$ 3,894
HP24RS-3-3R	SS glass door, hinge right	\$ 3,639	\$ 3,894
HP24RS-3-4L	Fully integrated glass door, hinge left	\$ 3,509	\$ 3,755
HP24RS-3-4R	Fully integrated glass door, hinge right	\$ 3,509	\$ 3,755
HP24RS-3-5	SS drawers	\$ 4,069	\$ 4,354
HP24RS-3-6	Fully integrated drawers	\$ 3,939	\$ 4,215

### 24" Signature Series - Freezers - Indoor



HP24FS-3-5

MODEL	DESCRIPTION	UMRP (BUILDER)	MSRP (RETAIL)
HP24FS-3-1L	SS solid door, hinge left	\$ 3,799	\$ 4,065
HP24FS-3-1R	SS solid door, hinge right	\$ 3,799	\$ 4,065
HP24FS-3-2L	Fully integrated solid door, hinge left	\$ 3,669	\$ 3,926
HP24FS-3-2R	Fully integrated solid door, hinge right	\$ 3,669	\$ 3,926
HP24FS-3-5	SS drawers	\$ 4,399	\$ 4,707
HP24FS-3-6	Fully integrated drawers	\$ 4,269	\$ 4,568

### 24" Signature Series - Dual-Zone Freezer/Refrigerator - Indoor



HP24ZS-3-5

MODEL	DESCRIPTION	UMRP (BUILDER)	MSRP (RETAIL)
HP24ZS-3-5	24" Dual Zone Freezer/Refrig, SS Drawers	\$ 4,659	\$ 4,985
HP24ZS-3-6	24" Dual Zone Freezer/Refrig, F.I. Drawers	\$ 4,529	\$ 4,846

### 24" Signature Series - Dual-Zone Refrigerators/Wine Reserve - Indoor







HP24CS-3-3L

MODEL	DESCRIPTION	UMRP (BUILDER)	MSRP (RETAIL)
HP24CS-3-1L	24" Dual Zone Refrig/Wine, SS Solid Door, LH	\$ 4,249	\$ 4,546
HP24CS-3-1R	24" Dual Zone Refrig/Wine, SS Solid Door, RH	\$ 4,249	\$ 4,549
HP24CS-3-2L	24" Dual Zone Refrig/Wine, F.I. Solid Door, LH	\$ 4,119	\$ 4,407
HP24CS-3-2R	24" Dual Zone Refrig/Wine, F.I. Solid Door, RH	\$ 4,119	\$ 4,407
HP24CS-3-3L	24" Dual Zone Refrig/Wine, SS Glass Door, LH	\$ 4,405	\$ 4,713
HP24CS-3-3R	24" Dual Zone Refrig/Wine, SS Glass Door, RH	\$ 4,405	\$ 4,713
HP24CS-3-4L	24" Dual Zone Refrig/Wine, F.I. Glass Door, LH	\$ 4,279	\$ 4,579
HP24CS-3-4R	24" Dual Zone Refrig/Wine, F.I. Glass Door, RH	\$ 4,279	\$ 4,579

\* Equipped with Energy Star Technology  
**See Full List of Accessories on Page 64**

STOCK ITEMS ARE LISTED IN RED

**24" Signature Series - Beverage Centers - Indoor**

MODEL	DESCRIPTION	UMRP (BUILDER)	MSRP (RETAIL)
HP24BS-3-1L	 SS solid door, hinge left	\$ 3,539	\$ 3,787
HP24BS-3-1R	 SS solid door, hinge right	\$ 3,539	\$ 3,787
HP24BS-3-2L	 Fully integrated solid door, hinge left	\$ 3,399	\$ 3,637
HP24BS-3-2R	 Fully integrated solid door, hinge right	\$ 3,399	\$ 3,637
HP24BS-3-3L	SS glass door, hinge left	\$ 3,689	\$ 3,947
HP24BS-3-3R	SS glass door, hinge right	\$ 3,689	\$ 3,947
HP24BS-3-4L	Fully integrated glass door, hinge left	\$ 3,559	\$ 3,808
HP24BS-3-4R	Fully integrated glass door, hinge right	\$ 3,559	\$ 3,808



HP24BS-3-3L

**24" Signature Series - Wine Reserves - Indoor**

MODEL	DESCRIPTION	UMRP (BUILDER)	MSRP (RETAIL)
HP24WS-3-1L	SS solid door, hinge left	\$ 3,849	\$ 4,118
HP24WS-3-1R	SS solid door, hinge right	\$ 3,849	\$ 4,118
HP24WS-3-2L	Fully integrated solid door, hinge left	\$ 3,719	\$ 3,979
HP24WS-3-2R	Fully integrated solid door, hinge right	\$ 3,719	\$ 3,979
HP24WS-3-3L	SS glass door, hinge left	\$ 3,999	\$ 4,279
HP24WS-3-3R	SS glass door, hinge right	\$ 3,999	\$ 4,279
HP24WS-3-4L	Fully integrated glass door, hinge left	\$ 3,879	\$ 4,151
HP24WS-3-4R	Fully integrated glass door, hinge right	\$ 3,879	\$ 4,151



HP24WS-3-3R

**24" Signature Series - Dual Zone - Wine / Wine - Indoor**

MODEL	DESCRIPTION	UMRP (BUILDER)	MSRP (RETAIL)
HP24DS-3-1L	SS solid door, hinge left	\$ 4,109	\$ 4,397
HP24DS-3-1R	SS solid door, hinge right	\$ 4,109	\$ 4,397
HP24DS-3-2L	Fully integrated solid door, hinge left	\$ 3,977	\$ 4,255
HP24DS-3-2R	Fully integrated solid door, hinge right	\$ 3,977	\$ 4,255
HP24DS-3-3L	SS glass door, hinge left	\$ 4,263	\$ 4,561
HP24DS-3-3R	SS glass door, hinge right	\$ 4,263	\$ 4,561
HP24DS-3-4L	Fully integrated glass door, hinge left	\$ 4,139	\$ 4,429
HP24DS-3-4R	Fully integrated glass door, hinge right	\$ 4,139	\$ 4,429



HP24DS-3-3L

**24" Signature Series - Beer Dispensers - Indoor**

MODEL	DESCRIPTION	UMRP (BUILDER)	MSRP (RETAIL)
HP24TS-3-1L1	SS solid door, hinge left / 1 tap	\$ 4,349	\$ 4,653
HP24TS-3-1R1	SS solid door, hinge right / 1 tap	\$ 4,349	\$ 4,653
HP24TS-3-2L1	Fully integrated solid door, hinge left / 1 tap	\$ 4,219	\$ 4,514
HP24TS-3-2R1	Fully integrated solid door, hinge right / 1 tap	\$ 4,219	\$ 4,514
HP24TS-3-1L2	SS solid door, hinge left / 2 tap	\$ 4,729	\$ 5,060
HP24TS-3-1R2	SS solid door, hinge right / 2 tap	\$ 4,729	\$ 5,060
HP24TS-3-2L2	Fully integrated solid door, hinge left / 2 tap	\$ 4,599	\$ 4,921
HP24TS-3-2R2	Fully integrated solid door, hinge right / 2 tap	\$ 4,599	\$ 4,921



HP24TS-3-1R2

 \* Equipped with Energy Star Technology



HP24TS-3-1L2A

## 24" Signature Series Beer Dispensers - Indoor - Adara Tower

MODEL	DESCRIPTION	UMRP (BUILDER)	MSRP (RETAIL)
HP24TS-3-1L1A	SS Solid Door, Hinge Left / 1 Tap - Adara Tower	\$ 4,869	\$ 5,210
HP24TS-3-1R1A	SS Solid Door, Hinge Right / 1 Tap - Adara Tower	\$ 4,869	\$ 5,210
HP24TS-3-2L1A	Fully Integrated Solid Door, Hinge Left / 1 Tap - Adara Tower	\$ 4,739	\$ 5,071
HP24TS-3-2R1A	Fully Integrated Solid Door, Hinge Right / 1 Tap - Adara Tower	\$ 4,739	\$ 5,071
HP24TS-3-1L2A	SS Solid Door, Hinge Left / 2 Tap - Adara Tower	\$ 5,249	\$ 5,616
HP24TS-3-1R2A	SS Solid Door, Hinge Right / 2 Tap - Adara Tower	\$ 5,249	\$ 5,616
HP24TS-3-2L2A	Fully Integrated Solid Door, Hinge Left / 2 Tap - Adara Tower	\$ 5,119	\$ 5,477
HP24TS-3-2R2A	Fully Integrated Solid Door, Hinge Right / 2 Tap - Adara Tower	\$ 5,119	\$ 5,477



67964

## Accessories for 24" Beer Dispensers

MODEL	DESCRIPTION	UMRP (BUILDER)	MSRP (RETAIL)
66585-2	Dual Faucet Tapping Kit	\$ 1,418	\$ 1,517
63797	Cleaning kit (includes pump, sanitizer and tools to clean lines)	\$ 177	\$ 189
BLC4	Sanitizer, 4oz bottle	\$ 6	\$ 6
BLC32	Sanitizer, 32oz bottle	\$ 24	\$ 26
67141-1	Perlick Faucet Handle	\$ 79	\$ 85
40030S	Lo-Boy "S" Series Keg Coupler**	\$ 147	\$ 157
40030SSLD	Lo-Boy "D" Series Keg Coupler*	\$ 130	\$ 139
67782	Drip Pan for Beer Dispensers	\$ 153	\$ 164
308-40C	Faucet Lock	\$ 92	\$ 98
630SS	630SS Forward Sealing Beer Faucet	\$ 87	\$ 93
RS-CDK	Iced Coffee Dispensing Kit - <b>New</b>	\$ 520	\$ 556
RS-25KG	Coffee Keg - <b>New</b>	\$ 312	\$ 334
RS-NCY	Nitrogen Cylinder - <b>New</b>	\$ 156	\$ 167



RS-24-24R



RS-24-24M



RS-24-24W



RS-24-24D



RS-24-24WD



67115-24

## Accessories for all 24" units

MODEL	DESCRIPTION	UMRP (BUILDER)	MSRP (RETAIL)
L1	Door Locks, Factory Installed (Stainless Steel Only)	\$ 26	\$ 28
67991-L	Stacking Kit - HP24/HC24/HA24 - Hinge Left	\$ 294	\$ 315
67991-R	Stacking Kit - HP24/HC24/HA24 - Hinge Right	\$ 294	\$ 315
66736	Castors (24" Units)	\$ 344	\$ 368
67439L	Left Hinge Kit	\$ 135	\$ 144
67439R	Right Hinge Kit	\$ 135	\$ 144
67964	24" Stainless Steel Drawer Dividers (Set of 3)	\$ 85	\$ 91
RS-24-24R	Refrigerator/Freezer Shelf	\$ 139	\$ 149
RS-24-24M	Martini Glass Chiller Shelf	\$ 269	\$ 288
RS-24-24D	Divider Shelf	\$ 169	\$ 181
RS-24-24W	Wine Shelf for HP24 Wine Reserves	\$ 139	\$ 149
RS-24-24WD	Wine Shelf for Dual Zone	\$ 139	\$ 149
67115-24	Wine Shelf Wood Faces (bundle of 7)	\$ 116	\$ 124
65629	Wine Bottle Display Rack	\$ 82	\$ 88
RK24DP	Drawer Pan Organizer	\$ 225	\$ 241
67440L	Door Lock, Left-Field Install-Overlay Only	\$ 142	\$ 152
67440R	Door Lock, Right-Field Install-Overlay Only	\$ 142	\$ 152



65629



RK24DP

\*\*Used by brands such as Heineken, Newcastle, Stella Artois, Amstel, Bemish, Murphy's, Strongbow and Hofbrau.

**See Full List of Accessories on Page 64**



## 24" Signature Series Sottile 18" Shallow Depth

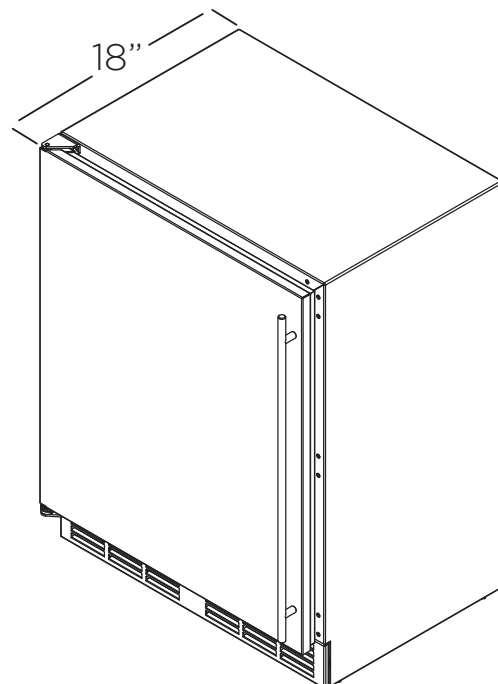
As the leader in innovative undercounter refrigeration, Perlick Corporation introduces the world's first shallow-depth series. This ground-breaking product is the perfect fit for a variety of hospitality and residential applications where the standard 24" depth product isn't suitable. Designers, architects and homeowners alike now have the ability to place a refrigerator, beverage center or wine reserve in unique applications such as kitchen islands, credenzas and even stacked on top of a counter.

### FEATURES

- ADA-compliant 32" height with leveling legs
- Designed for maximum capacity while adhering to strict 34" counter height ADA-compliant requirements
- 18" depth for design flexibility
- Zero-clearance hinging allows for abutment with surrounding cabinetry
- Best in Class 525 BTU commercial-grade compressor
- Front-vented, RAPIDcool forced-air refrigeration system
- Commercial-grade stainless steel interior
- Industry exclusive convertible door design allows all doors the ability to be converted to wood overlay from stainless steel
- Enhanced interior digital display controller
- Crisp White or Cool Blue LED lights
- Low E, UV coated glass provides industry leading insulation and protection
- Three-year full warranty with Product Registration on complete unit - additional three year limited warranty on the sealed refrigeration system



**HH24BS-3-3R - 24" Shallow  
Depth 18" Series Beverage Center**





## REFRIGERATOR FEATURES

- Available with solid stainless steel door, fully integrated door, glass with stainless trim door or fully integrated glass door
- Industry exclusive full-extension adjustable pull-out shelves makes finding items and restocking your refrigerator easy
- Stainless steel ball bearing glides provide smooth movement of shelves
- 3.1 cubic feet of capacity refrigerator rated for both food and beverage storage
- Refrigerator temperature 33° to 42°F



## BEVERAGE CENTER FEATURES

- Beverage center rated for both food and beverage storage
- Available with solid stainless door, fully integrated door, glass with stainless trim door or fully integrated glass door
- Allows for storage of both wine and beverages
- Two (2) wine shelves, one (1) Industry exclusive adjustable full extension pullout shelves
- Shelving positions are adjustable to suit your needs
- Beverage Center temperature 33° to 48° F



## WINE RESERVE FEATURES

- Available with solid stainless door, fully integrated door, glass with stainless trim door or fully integrated glass door
- Four (4) adjustable shelves will store up to 20 wine bottles with extra storage under shelves for additional bottles
- Wine Reserve temperature 45° to 65° F

## 24" SIGNATURE SERIES SOTTILE 18" SHALLOW DEPTH - INDOOR



HH24RS-3-3R

### 24" Sottile 18" Shallow Depth Series - Refrigerators

MODEL	DESCRIPTION	UMRP (BUILDER)	MSRP (RETAIL)
HH24RS-3-1L	SS solid door, hinge left	\$ 2,899	\$ 3,102
HH24RS-3-1R	SS solid door, hinge right	\$ 2,899	\$ 3,102
HH24RS-3-2L	Fully integrated solid door, hinge left	\$ 2,769	\$ 2,963
HH24RS-3-2R	Fully integrated solid door, hinge right	\$ 2,769	\$ 2,963
HH24RS-3-3L	SS glass door, hinge left	\$ 3,049	\$ 3,262
HH24RS-3-3R	SS glass door, hinge right	\$ 3,049	\$ 3,262
HH24RS-3-4L	Fully integrated glass door, hinge left	\$ 2,919	\$ 3,123
HH24RS-3-4R	Fully integrated glass door, hinge right	\$ 2,919	\$ 3,123



HH24BS-3-3R

### 24" Sottile 18" Shallow Depth Series - Beverage Centers

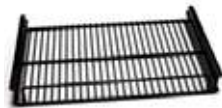
MODEL	DESCRIPTION	UMRP (BUILDER)	MSRP (RETAIL)
HH24BS-3-1L	SS solid door, hinge left	\$ 2,949	\$ 3,155
HH24BS-3-1R	SS solid door, hinge right	\$ 2,949	\$ 3,155
HH24BS-3-2L	Fully integrated solid door, hinge left	\$ 2,819	\$ 3,016
HH24BS-3-2R	Fully integrated solid door, hinge right	\$ 2,819	\$ 3,016
HH24BS-3-3L	SS glass door, hinge left	\$ 3,109	\$ 3,327
HH24BS-3-3R	SS glass door, hinge right	\$ 3,109	\$ 3,327
HH24BS-3-4L	Fully integrated glass door, hinge left	\$ 2,979	\$ 3,188
HH24BS-3-4R	Fully integrated glass door, hinge right	\$ 2,979	\$ 3,188



HH24WS-3-3R

### 24" Sottile 18" Shallow Depth Series - Wine Reserves

MODEL	DESCRIPTION	UMRP (BUILDER)	MSRP (RETAIL)
HH24WS-3-1L	SS solid door, hinge left	\$ 3,059	\$ 3,273
HH24WS-3-1R	SS solid door, hinge right	\$ 3,059	\$ 3,273
HH24WS-3-2L	Fully integrated solid door, hinge left	\$ 2,929	\$ 3,134
HH24WS-3-2R	Fully integrated solid door, hinge right	\$ 2,929	\$ 3,134
HH24WS-3-3L	SS glass door, hinge left	\$ 3,209	\$ 3,434
HH24WS-3-3R	SS glass door, hinge right	\$ 3,209	\$ 3,434
HH24WS-3-4L	Fully integrated glass door, hinge left	\$ 3,079	\$ 3,295
HH24WS-3-4R	Fully integrated glass door, hinge right	\$ 3,079	\$ 3,295



RS-18-18R



RS-18-18W



67115-24

### Accessories for Sottile 18" Shallow Depth

MODEL	DESCRIPTION	UMRP (BUILDER)	MSRP (RETAIL)
L1	Door Locks, Factory Installed (Stainless Steel Only)	\$ 26	\$ 28
67992-L	Stacking Kit for HH24 Models, Left Hinge	\$ 294	\$ 315
67992-R	Stacking Kit for HH24 Models, Right Hinge	\$ 294	\$ 315
RS-18-18R	Refrigerator Shelf	\$ 154	\$ 165
RS-18-18W	Wine Shelf	\$ 169	\$ 181
67115-24	Wine Shelf Wood Faces (bundle of 7)	\$ 116	\$ 124
67439L	Left Hinge Kit	\$ 135	\$ 144
67439R	Right Hinge Kit	\$ 135	\$ 144
67360	6" Toe Kick KIT - Base + Grille for 18" Deep Cabinets	\$ 167	\$ 179
67440L	Door Lock, Left-Field Install-Overlay Only	\$ 142	\$ 152
67440R	Door Lock, Right-Field Install-Overlay Only	\$ 142	\$ 152

\* Equipped with Energy Star Technology

## 48" Signature Series

With two separate compartments in one stylish unit, Perlick's patented 48" two-door units provide the ultimate in luxury entertaining with style, versatility, and quiet energy-efficient performance.



### WINE RESERVE / WINE RESERVE FEATURES

- The HP48WW allows for two separate temperature zones
- Adjustable full-extension shelving allows easy storage and access to wine bottles
- Capacity to hold up to 80 wine bottles
- Wine Reserve temperature 40° to 65° F



### WINE RESERVE = WINE RESERVE FEATURES

- The HP48WO is one single temperature zone
- Adjustable full-extension shelving allows easy storage and access to wine bottles
- Capacity to hold up to 80 wine bottles
- Wine Reserve temperature 40° to 65° F



## 48" SIGNATURE SERIES WINE RESERVE - INDOOR

### 48" Signature Series - Wine Reserve = Wine Reserve - Indoor\* (One Temperature Zone)

MODEL	DESCRIPTION	UMRP (BUILDER)	MSRP (RETAIL)
HP48WO-3-1L-1R	SS solid door, hinge left = SS solid door, hinge right	\$ 6,679	\$ 7,147
HP48WO-3-1L-3R	SS solid door, hinge left = SS glass door, hinge right	\$ 6,839	\$ 7,318
HP48WO-3-3L-1R	SS glass door, hinge left = SS solid door, hinge right	\$ 6,839	\$ 7,318
HP48WO-3-3L-3R	SS glass door, hinge left = SS glass door, hinge right	\$ 6,989	\$ 7,478
HP48WO-3-2L-2R	Fully integrated solid door, hinge left = Fully Integrated solid door, hinge right	\$ 6,416	\$ 6,865
HP48WO-3-2L-4R	Fully Integrated solid door, hinge left = Fully Integrated glass door, hinge right	\$ 6,579	\$ 7,040
HP48WO-3-4L-2R	Fully Integrated glass door, hinge left = Fully Integrated solid door, hinge right	\$ 6,579	\$ 7,040
HP48WO-3-4L-4R	Fully Integrated glass door, hinge left = Fully Integrated glass door, hinge right	\$ 6,729	\$ 7,200

### 48" Signature Series - Wine Reserve / Wine Reserve - Indoor\* (Two Temperature Zones)

MODEL	DESCRIPTION	UMRP (BUILDER)	MSRP (RETAIL)
HP48WW-3-1L-1R	SS solid door, hinge left / SS solid door, hinge right	\$ 6,999	\$ 7,489
HP48WW-3-1L-3R	SS solid door, hinge left / SS glass door, hinge right	\$ 7,159	\$ 7,660
HP48WW-3-3L-1R	SS glass door, hinge left / SS solid door, hinge right	\$ 7,159	\$ 7,660
HP48WW-3-3L-3R	SS glass door, hinge left / SS glass door, hinge right	\$ 7,319	\$ 7,831
HP48WW-3-2L-2R	Fully integrated solid door, hinge left / Fully Integrated solid door, hinge right	\$ 6,739	\$ 7,211
HP48WW-3-2L-4R	Fully Integrated solid door, hinge left / Fully Integrated glass door, hinge right	\$ 6,899	\$ 7,382
HP48WW-3-4L-2R	Fully Integrated glass door, hinge left / Fully Integrated solid door, hinge right	\$ 6,899	\$ 7,382
HP48WW-3-4L-4R	Fully Integrated glass door, hinge left / Fully Integrated glass door, hinge right	\$ 7,059	\$ 7,553

\*Not all door and hinge combinations are listed above

### Accessories

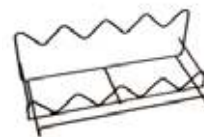
MODEL	DESCRIPTION	UMRP (BUILDER)	MSRP (RETAIL)
L1	Door Locks, Factory Installed (Stainless Steel Only)	\$ 26	\$ 28
67993-LR	Stacking Kit for HP48 with LH / RH Configuration	\$ 331	\$ 354
67439L	Left Hinge Kit	\$ 135	\$ 144
67439R	Right Hinge Kit	\$ 135	\$ 144
RS-24-24W	Wine Shelf	\$ 139	\$ 149
67115-24	Wine Shelf Wood Faces (bundle of 7)	\$ 116	\$ 124
65629	Wine Bottle Display Rack	\$ 82	\$ 88



RS-24-24W



67115-24



65629

See Full List of Accessories on Page 65

## ADA-Compliant Series

Perlick proudly offers the industry's widest selection of 32" height ADA-Compliant under counter refrigeration. Featuring full-extension pullout shelving, stainless steel interior and the industry-leading RAPIDcool forced-air refrigeration system, Perlick has superior quality ADA-Compliant 32" height refrigeration for indoor and outdoor applications. The ADA-Compliant series includes a refrigerator, freezer, beverage center, wine reserve and ice maker.

### FEATURES

- ADA-compliant 32" height with leveling legs
- Designed for maximum capacity while adhering to strict 34" counter height ADA-compliant requirements
- Fully-integrated depth to allow flush fit with surrounding cabinetry
- Zero-clearance hinging allows for abutment with surrounding cabinetry
- With 3/4" wood overlay, the unit will stand flush with cabinetry
- Best in class 525 BTU commercial-grade compressor
- Front-vented, RAPIDcool forced-air refrigeration system
- Commercial-grade stainless steel interior
- Maintenance-free automatic cycle free defrost
- Industry exclusive convertible door design allows all doors the ability to be converted to wood overlay from stainless steel
- Low E, UV coated glass provides industry leading insulation and protection
- Three-year full warranty with Product Registration on complete unit - additional three year limited warranty on the sealed refrigeration system



HA24BS-3-3R - 24" ADA Compliant Wine Center with Glass Door



### REFRIGERATOR FEATURES

- Industry exclusive full-extension pull-out shelves makes finding items and restocking your refrigerator easy
- Full-extension shelves are adjustable
- Stainless steel ball bearing glides provide smooth movement of shelves
- Industry exclusive drawers
- Refrigerator rated for both food and beverage storage
- Refrigerator temperature 33° to 42° F



### BEVERAGE CENTER FEATURES

- Beverage center rated for both food and beverage storage
- Allows for storage of both wine and beverages
- Two (2) wine shelves, one (1) Industry exclusive full-extension pullout shelf
- Shelving positions are adjustable to suit your needs
- Beverage Center temperature 33° to 48° F



### FREEZER FEATURES

- Full-extension shelves/drawers pull completely out of the unit allowing easy storage and access to freezer contents
- Equipped with automatic hot gas defrost for maintenance-free defrosting
- Freezer temperature -10° to 10° F



### WINE RESERVE FEATURES

- Five (5) shelves will store up to 40 wine bottles
- Shelving positions are adjustable to suit your needs
- Wine Reserve temperature 45° to 65° F



### CLEAR ICE MAKER FEATURES

- Produces up to 55 pounds of ice per day and stores up to 22 pounds of ice
- UL-approved for outdoor use
- Quiet, efficient operation
- Optional drain pump
- Elegant stainless steel door and polished handle



### CUBELET ICE MAKER FEATURES

- Produces up to 80 lbs. of ice per 24 hour period
- UL-approved for outdoor use
- Storage capacity of 22 lbs. of ice
- Produces soft, chewable, nugget-shaped ice
- Power switch accessible without panel removal
- Ice is designed to absorb the flavors of beverages and is popular to crunch on
- Optional drain pump
- Elegant stainless steel door and polished handle

ADA COMPLIANT SERIES

ADA Compliant Series - 24" Refrigerators - Built-In - Indoor



HA24RB-3-1R

MODEL	DESCRIPTION	UMRP (BUILDER)	MSRP (RETAIL)
HA24RB-3-1L	SS solid door, hinge left	\$ 2,669	\$ 2,856
HA24RB-3-1R	SS solid door, hinge right	\$ 2,669	\$ 2,856
HA24RB-3-2L	Fully integrated solid door, hinge left	\$ 2,539	\$ 2,717
HA24RB-3-2R	Fully Integrated solid door, hinge right	\$ 2,539	\$ 2,717
HA24RB-3-3L	SS glass door, hinge left	\$ 2,819	\$ 3,016
HA24RB-3-3R	SS glass door, hinge right	\$ 2,819	\$ 3,016
HA24RB-3-4L	Fully integrated glass door, hinge left	\$ 2,689	\$ 2,877
HA24RB-3-4R	Fully Integrated glass door, hinge right	\$ 2,689	\$ 2,877
HA24RB-3-5	SS drawers	\$ 3,259	\$ 3,487
HA24RB-3-6	Fully Integrated drawers	\$ 3,129	\$ 3,348

ADA Compliant Series - 24" Beverage Centers - Built-In - Indoor



HA24BB-3-3R

MODEL	DESCRIPTION	UMRP (BUILDER)	MSRP (RETAIL)
HA24BB-3-1L	SS solid door, hinge left	\$ 2,719	\$ 2,909
HA24BB-3-1R	SS solid door, hinge right	\$ 2,719	\$ 2,909
HA24BB-3-2L	Fully integrated solid door, hinge left	\$ 2,589	\$ 2,770
HA24BB-3-2R	Fully Integrated solid door, hinge right	\$ 2,589	\$ 2,770
HA24BB-3-3L	SS glass door, hinge left	\$ 2,879	\$ 3,081
HA24BB-3-3R	SS glass door, hinge right	\$ 2,879	\$ 3,081
HA24BB-3-4L	Fully Integrated glass door, hinge left	\$ 2,749	\$ 2,941
HA24BB-3-4R	Fully Integrated glass door, hinge right	\$ 2,749	\$ 2,941

ADA Compliant Series - 24" Freezers - Built-In - Indoor



HA24FB-3-5

MODEL	DESCRIPTION	UMRP (BUILDER)	MSRP (RETAIL)
HA24FB-3-1L	SS solid door, hinge left	\$ 2,989	\$ 3,198
HA24FB-3-1R	SS solid door, hinge right	\$ 2,989	\$ 3,198
HA24FB-3-2L	Fully integrated solid door, hinge left	\$ 2,859	\$ 3,059
HA24FB-3-2R	Fully integrated solid door, hinge right	\$ 2,859	\$ 3,059
HA24FB-3-5	SS drawers	\$ 3,589	\$ 3,840
HA24FB-3-6	Fully Integrated drawers	\$ 3,459	\$ 3,701

\* Equipped with Energy Star Technology

See Full List of Accessories on Page 65



## ADA COMPLIANT SERIES

### ADA Compliant Series - 24" Wine Reserves - Built-In - Indoor

MODEL	DESCRIPTION	UMRP (BUILDER)	MSRP (RETAIL)
HA24WB-3-1L	SS solid door, hinge left	\$ 2,829	\$ 3,027
HA24WB-3-1R	SS solid door, hinge right	\$ 2,829	\$ 3,027
HA24WB-3-2L	Fully integrated solid door, hinge left	\$ 2,699	\$ 2,888
HA24WB-3-2R	Fully Integrated solid door, hinge right	\$ 2,699	\$ 2,888
HA24WB-3-3L	SS glass door, hinge left	\$ 2,979	\$ 3,188
HA24WB-3-3R	SS glass door, hinge right	\$ 2,979	\$ 3,188
HA24WB-3-4L	Fully Integrated glass door, hinge left	\$ 2,849	\$ 3,048
HA24WB-3-4R	Fully Integrated glass door, hinge right	\$ 2,849	\$ 3,048



HA24WB-3-3R

### ADA Compliant Series - 15" Clear Ice Maker

MODEL	DESCRIPTION	UMRP (BUILDER)	MSRP (RETAIL)
H50IMS-ADL	SS Solid Door, Hinge Left	\$ 3,569	\$ 3,819
H50IMS-ADR	SS Solid Door, Hinge Right	\$ 3,569	\$ 3,819
H50IMW-AD	Fully Integrated Door, Hinge Reversible (Std. Left)	\$ 3,569	\$ 3,819



H50IMS-ADL

### ADA Compliant Series - 15" Cubelet Ice Maker

MODEL	DESCRIPTION	UMRP (BUILDER)	MSRP (RETAIL)
H80CIMS-ADL	15" ADA Cubelet Ice Maker, SS Solid Door, LH	\$ 3,799	\$ 4,065
H80CIMS-ADR	15" ADA Cubelet Ice Maker, SS Solid Door, RH	\$ 3,799	\$ 4,065
H80CIMW-AD	15" ADA Cubelet Ice Maker, Panel Ready, Hinge Reversible	\$ 3,799	\$ 4,065



H80CIMS-ADL

### ADA Compliant Series - 15" Clear and Cubelet Ice Maker Accessories

MODEL	DESCRIPTION	UMRP (BUILDER)	MSRP (RETAIL)
63802A	Drain Pump	\$ 445	\$ 449
67282	SS Toe Kick - Ice Makers	\$ 91	\$ 97
EV-985700	Everpure EF3000 Filtration System	\$ 326	\$ 435

## Outdoor Products - C-Series

Perlick offers an outdoor refrigerator and beer dispenser as part of its C-Series product line. Perlick has outdoor undercounter refrigeration that balances commercial-grade construction with the refined aesthetics of residential appliances – all while standing up to the hottest of summer days.

### FEATURES

- Commercial-grade stainless steel interior
- Best in class 525 BTU commercial-grade compressor
- UL rated for Indoor / Outdoor use
- Interior temperature control and light
- Available in one door and two-drawer configurations
- Industry exclusive full-extension pullout shelving makes finding items and restocking your refrigerator easy
- Stainless steel ball bearing glides provide smooth movement of shelves
- Refrigerator rated for both food and beverage storage
- Refrigerator temperature 33° to 42° F
- Three-year full warranty with Product Registration on complete unit – additional three year limited warranty on the sealed refrigeration system





#### REFRIGERATOR FEATURES

- UL-rated for outdoor use
- Storage for 144 cans
- Rated for food and beverage storage
- Features Perlick's exclusive RAPIDcool forced-air refrigeration system, providing industry leading cooling performance
- Stainless steel interior and exterior
- Temperature range: 33° - 42°F (.5° - 5.5°C)
- Three-year full warranty with Product Registration on complete unit - additional three year limited warranty on the sealed refrigeration system



#### BEER DISPENSER FEATURES

- Commercial-grade stainless steel interior
- UL rated for Indoor / Outdoor use
- Interior temperature control and light
- Beer Dispenser temperature 33° to 42° F
- Beer Dispenser will hold one 1/4 keg or two 1/6 kegs
- Complete, self-contained beer system
- Three-year full warranty with Product Registration on complete unit - additional three year limited warranty on the sealed refrigeration system

## OUTDOOR C-SERIES PRODUCTS

### 24" C-Series - Refrigerators - Outdoor

MODEL	DESCRIPTION	UMRP (BUILDER)	MSRP (RETAIL)
HC24RO-3-1L	 SS Solid Door, Hinge Left	\$ 2,949	\$ 3,155
HC24RO-3-1R	 SS Solid Door, Hinge Right	\$ 2,949	\$ 3,155
HC24RO-3-2L	 Fully Integrated Solid Door, Hinge Left	\$ 2,819	\$ 3,016
HC24RO-3-2R	 Fully Integrated Solid Door, Hinge Right	\$ 2,819	\$ 3,016
HC24RO-3-5	SS Drawers	\$ 3,539	\$ 3,787
HC24RO-3-6	Fully Integrated Drawers	\$ 3,539	\$ 3,787



HC24RO-3-1R

### 24" C-Series - Beer Dispensers - Outdoor

MODEL	DESCRIPTION	UMRP (BUILDER)	MSRP (RETAIL)
HC24TO-3-1L1	SS solid door, hinge left / 1 tap	\$ 3,759	\$ 4,022
HC24TO-3-1R1	SS solid door, hinge right / 1 tap	\$ 3,759	\$ 4,022
HC24TO-3-2L1	Fully integrated solid door, hinge left / 1 tap	\$ 3,629	\$ 3,883
HC24TO-3-2R1	Fully integrated solid door, hinge right / 1 tap	\$ 3,629	\$ 3,883
HC24TO-3-1L2	SS solid door, hinge left / 2 tap	\$ 4,159	\$ 4,450
HC24TO-3-1R2	SS solid door, hinge right / 2 tap	\$ 4,159	\$ 4,450
HC24TO-3-2L2	Fully integrated solid door, hinge left / 2 tap	\$ 4,029	\$ 4,311
HC24TO-3-2R2	Fully integrated solid door, hinge right / 2 tap	\$ 4,029	\$ 4,311



HC24TO-3-1R2

### Accessories for C-Series Beer Dispensers

MODEL	DESCRIPTION	UMRP (BUILDER)	MSRP (RETAIL)
66585-2	Dual Faucet Tapping Kit (if sold separately)	\$ 1,418	\$ 1,517
63797	Cleaning Kit (includes pump, sanitizer and tools to clean lines)	\$ 177	\$ 189
BLC4	Sanitizer 4 oz. Bottle	\$ 6	\$ 6
BLC32	Sanitizer 32 oz. Bottle	\$ 24	\$ 26
40030S	Lo-Boy "S" Series Keg Coupler*	\$ 147	\$ 157
40030SSLD	Lo-Boy "D" Series Keg Coupler*	\$ 130	\$ 139
308-40C	Faucet Lock	\$ 92	\$ 98
630SS	630SS Forward Sealing Beer Faucet	\$ 87	\$ 93
67141-1	Perlick Faucet Handle	\$ 79	\$ 85
67782	Drip Pan for Beer Dispensers	\$ 153	\$ 164

 \* Equipped with Energy Star Technology

\*Used by brands such as Heineken, Newcastle, Stella Artois, Amstel, Bemish, Murphy's, Strongbow and Hofbrau.

STOCK ITEMS ARE LISTED IN RED

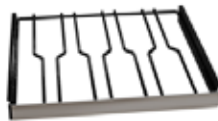
## OUTDOOR C-SERIES PRODUCTS

### Accessories for C-Series

MODEL	DESCRIPTION	UMRP (BUILDER)	MSRP (RETAIL)
L1	Door Locks, Factory Installed (Stainless Steel Only)	\$ 26	\$ 28
67991-L	Stacking Kit - HP24/HC24/HA24 - Hinge Left	\$ 294	\$ 315
67991-R	Stacking Kit - HP24/HC24/HA24 - Hinge Right	\$ 294	\$ 315
66736	Castors (24" Units)	\$ 344	\$ 368
67439L	Left Hinge Kit	\$ 135	\$ 144
67439R	Right Hinge Kit	\$ 135	\$ 144
RS-24-24R	Refrigerator/Freezer Shelf	\$ 139	\$ 149
RS-24-24D	Divider Shelf	\$ 169	\$ 181
RS-24-24W	Wine Shelf	\$ 139	\$ 149
67115-24	Wine Shelf Wood Faces (bundle of 7)	\$ 116	\$ 124
67964	24" Stainless Steel Drawer Dividers (Set of 3)	\$ 85	\$ 91
RK24DP	Drawer Pan Organizer	\$ 225	\$ 244
67440L	Door Lock, Left-Field Install-Overlay Only	\$ 142	\$ 152
67440R	Door Lock, Right-Field Install-Overlay Only	\$ 142	\$ 152



RS-24-24R



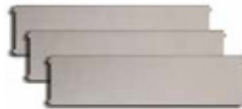
RS-24-24W



RS-24-24D



67115-24



67964



RK24DP



## Outdoor Products - Signature Series

Perlick goes beyond the interior of the home and redefines outdoor entertaining with its luxury line of outdoor products. Finished in beautiful stainless steel, featuring anti-condensation technology and UL approved for outdoor use, Perlick's Signature Series outdoor line features a variable speed compressor that allows all of the units to maintain a desired temperature in any type of environment. The first to offer a glass door refrigerator and wine reserve for outdoor use, Perlick's line also includes Refrigerator, Freezer, Beverage Centers, Beer Dispensers and Dual-Zone Wine/Wine, Refrigerator/Wine and Freezer/Refrigerator.

In addition to offering the flexibility to be installed indoors or outdoors - all units (including units configured with glass doors) are UL rated for outdoor use and include Perlick's pioneering standard feature of commercial-grade stainless steel interiors and exteriors. The 24" Signature Series line also features adjustable full-extension pull-out shelves, convertible door design, zero-clearance hinging, RAPIDcool forced-air refrigeration system, and the Industry Best three-year warranty with product registration plus an additional three years on sealed system.

### FEATURES

- Available in 15" and 24" models.
- Designed with fully-integrated depth to allow flush fit surrounding cabinetry
- Commercial-grade stainless steel interiors and exteriors
- Anti-condensation technology
- Industry exclusive full-extension shelving
- Two-inch thick walls provide superior insulation and minimize vibrations
- Glass doors offer full UV protection
- Door locks available to prevent unwanted access
- Enhanced interior display controller
- UL approved for outdoor use
- Three-year full warranty with Product Registration on complete unit - additional three year limited warranty on the sealed refrigeration system



HP24CO-3-3L / 24" Signature Series Dual-Zone Outdoor Refrigerator / Wine Reserve

## Outdoor Products - 15" Signature Series

Perlick's 15" Signature Series outdoor undercounter refrigeration is perfect for small outdoor spaces for storing a variety of foods and beverages. Every unit is UL-rated for outdoor use and are engineered for optimal performance even on the hottest summer days.

### 15" FEATURES

- Whisper-quiet 525 BTU Compressor
- Refrigerator rated for both food and beverage storage
- Beverage Center has two full-extension wine racks and one full-extension shelf
- Wine Reserve can hold up to 20 bottles of wine
- Beer Dispenser will hold one 1/6 keg
- Ice Maker produces up to 55 pounds of ice per day and stores up to 22 pounds of ice
- Available Models: Refrigerator, Beverage Center, Wine Reserve, Beer Dispenser, Ice Maker



HP15TO-3-1L , 15" Signature Series Outdoor Beer Dispenser/ HP24BO-3-3L Signature Series Beverage Center

## 15" SIGNATURE SERIES - OUTDOOR



### OUTDOOR REFRIGERATOR FEATURES

- Storage for 66 cans
- Rated for food and beverage storage
- Features Perlick's exclusive RAPIDcool forced-air refrigeration system, providing industry leading cooling performance
- Stainless steel interior and exterior
- Temperature range: 33° - 42°F (.5° - 5.5°C)
- Three-year full warranty with Product Registration on complete unit - additional three year limited warranty on the sealed refrigeration system



### OUTDOOR BEVERAGE CENTER FEATURES

- Storage for 8 wine bottles and 30 cans
- Rated for food and beverage storage
- Features Perlick's exclusive RAPIDcool forced-air refrigeration system, providing industry leading cooling performance
- Stainless steel interior and exterior
- Temperature range: 33° - 48°F (.5° - 8.8°C)
- Three-year full warranty with Product Registration on complete unit - additional three year limited warranty on the sealed refrigeration system



### OUTDOOR WINE RESERVE FEATURES

- UL-rated for outdoor use
- Storage for 20 wine bottles
- Features Perlick's exclusive RAPIDcool forced-air refrigeration system, providing industry leading cooling performance
- Stainless steel interior and exterior
- Dual-pane, Low-E glass with UV-resistant coating protects wine from harmful sun light
- Temperature range: 45° - 65°F (7.2° - 8.8°C)
- Three-year full warranty with Product Registration on complete unit - additional three year limited warranty on the sealed refrigeration system





### OUTDOOR BEER DISPENSER FEATURES

- Accommodates one 1/6 Barrel
- Self-contained beer system with portable drainer - no plumbing required
- Features Perlick's exclusive RAPIDcool forced-air refrigeration system, providing industry leading cooling performance
- Stainless steel interior and exterior
- Temperature range: 33° - 42°F (.5° - 5.5°C)
- "D" System Lo-Boy keg coupler included; "S" System Lo-Boy keg coupler also available for those who favor certain European beers
- Three-year full warranty with Product Registration on complete unit - additional three year limited warranty on the sealed refrigeration system



### CLEAR ICE MAKER FEATURES

- UL-approved for indoor and outdoor use
- Produces up to 55 lbs of ice product per 24 hours
- Storage capacity of 22 lbs of clear ice
- Clear ice production
- Top hat shaped ice
- Available with stainless steel or panel-ready door
- Optional drain pump available
- Two Year Warranty



### CUBELET ICE MAKER FEATURES

- UL-approved for outdoor use
- Produces up to 80 lbs. of ice per 24 hour period
- Storage capacity of 22 lbs. of ice
- Produces soft, chewable, nugget-shaped ice
- Power switch accessible without panel removal
- Ice is designed to absorb the flavors of beverages and is popular to crunch on
- Optional drain pump
- Elegant stainless steel door and polished handle

## 15" OUTDOOR SIGNATURE SERIES

### 15" Signature Series - Refrigerators - Outdoor



HP15RO-3-5

MODEL	DESCRIPTION	UMRP (BUILDER)	MSRP (RETAIL)
HP15RO-3-1L	SS solid door, hinge left	\$ 3,509	\$ 3,755
HP15RO-3-1R	SS solid door, hinge right	\$ 3,509	\$ 3,755
HP15RO-3-2L	Fully integrated solid door, hinge left	\$ 3,379	\$ 3,616
HP15RO-3-2R	Fully integrated solid door, hinge right	\$ 3,379	\$ 3,616
HP15RO-3-3L	SS glass door, hinge left	\$ 3,669	\$ 3,926
HP15RO-3-3R	SS glass door, hinge right	\$ 3,669	\$ 3,926
HP15RO-3-4L	Fully integrated glass door, hinge left	\$ 3,539	\$ 3,787
HP15RO-3-4R	Fully integrated glass door, hinge right	\$ 3,539	\$ 3,787
HP15RO-3-5	SS drawers	\$ 4,099	\$ 4,386
HP15RO-3-6	Fully integrated drawers	\$ 3,969	\$ 4,247

### 15" Signature Series - Beverage Centers - Outdoor



HP15BO-3-3R

MODEL	DESCRIPTION	UMRP (BUILDER)	MSRP (RETAIL)
HP15BO-3-1L	SS solid door, hinge left	\$ 3,559	\$ 3,808
HP15BO-3-1R	SS solid door, hinge right	\$ 3,559	\$ 3,808
HP15BO-3-2L	Fully integrated solid door, hinge left	\$ 3,429	\$ 3,669
HP15BO-3-2R	Fully integrated solid door, hinge right	\$ 3,429	\$ 3,669
HP15BO-3-3L	SS glass door, hinge left	\$ 3,719	\$ 3,979
HP15BO-3-3R	SS glass door, hinge right	\$ 3,719	\$ 3,979
HP15BO-3-4L	Fully integrated glass door, hinge left	\$ 3,589	\$ 3,840
HP15BO-3-4R	Fully integrated glass door, hinge right	\$ 3,589	\$ 3,840

### 15" Signature Series - Wine Reserves - Outdoor



HP15WO-3-3L

MODEL	DESCRIPTION	UMRP (BUILDER)	MSRP (RETAIL)
HP15WO-3-1L	SS solid door, hinge left	\$ 3,769	\$ 4,033
HP15WO-3-1R	SS solid door, hinge right	\$ 3,769	\$ 4,033
HP15WO-3-2L	Fully integrated solid door, hinge left	\$ 3,639	\$ 3,894
HP15WO-3-2R	Fully integrated solid door, hinge right	\$ 3,639	\$ 3,894
HP15WO-3-3L	SS glass door, hinge left	\$ 3,929	\$ 4,204
HP15WO-3-3R	SS glass door, hinge right	\$ 3,929	\$ 4,204
HP15WO-3-4L	Fully integrated glass door, hinge left	\$ 3,799	\$ 4,065
HP15WO-3-4R	Fully integrated glass door, hinge right	\$ 3,799	\$ 4,065

### 15" Signature Series - Beer Dispensers - Outdoor



HP15TO-3-1R

MODEL	DESCRIPTION	UMRP (BUILDER)	MSRP (RETAIL)
HP15TO-3-1L	SS solid door, hinge left / 1 tap	\$ 4,369	\$ 4,675
HP15TO-3-1R	SS solid door, hinge right / 1 tap	\$ 4,369	\$ 4,675
HP15TO-3-2L	Fully integrated solid door, hinge left / 1 tap	\$ 4,239	\$ 4,536
HP15TO-3-2R	Fully integrated solid door, hinge right / 1 tap	\$ 4,239	\$ 4,536

\* Equipped with Energy Star Technology



## 15" OUTDOOR ICE MAKERS

### 15" Signature Series - Clear Ice Makers (see page 15 for features)

MODEL	DESCRIPTION	UMRP (BUILDER)	MSRP (RETAIL)
H50IMS-L	SS solid door, hinge left	\$ 3,569	\$ 3,819
H50IMS-R	SS solid door, hinge right	\$ 3,569	\$ 3,819
H50IMW	Fully integrated, reversible door	\$ 3,569	\$ 3,819



H50IMS-R

### ADA Compliant Series - 15" Clear Ice Maker

MODEL	DESCRIPTION	UMRP (BUILDER)	MSRP (RETAIL)
H50IMS-ADL	SS Solid Door, Hinge Left	\$ 3,569	\$ 3,819
H50IMS-ADR	SS Solid Door, Hinge Right	\$ 3,569	\$ 3,819
H50IMW-AD	Fully Integrated Door, Hinge Reversible (Std. Left)	\$ 3,569	\$ 3,819



H80CIMS-ADL

### 15" Signature Series - Cubelet Ice Makers

MODEL	DESCRIPTION	UMRP (BUILDER)	MSRP (RETAIL)
H80CIMS-L	15" Cubelet Ice Maker, SS Solid Door, LH	\$ 3,799	\$ 4,065
H80CIMS-R	15" Cubelet Ice Maker, SS Solid Door, RH	\$ 3,799	\$ 4,065
H80CIMW	15" Cubelet Ice Maker, Panel Ready, Hinge Reversible	\$ 3,799	\$ 4,065



H80CIMS-R

### ADA Compliant Series - 15" Cubelet Ice Maker

MODEL	DESCRIPTION	UMRP (BUILDER)	MSRP (RETAIL)
H80CIMS-ADL	15" ADA Cubelet Ice Maker, SS Solid Door, LH	\$ 3,799	\$ 4,065
H80CIMS-ADR	15" ADA Cubelet Ice Maker, SS Solid Door, RH	\$ 3,799	\$ 4,065
H80CIMW-AD	15" ADA Cubelet Ice Maker, Panel Ready, Hinge Reversible	\$ 3,799	\$ 4,065

### 15" Signature Series - Clear and Cubelet Ice Maker Accessories

MODEL	DESCRIPTION	UMRP (BUILDER)	MSRP (RETAIL)
63802A	Drain Pump	\$ 445	\$ 449
67282	SS Toe Kick - Ice Makers	\$ 91	\$ 97
EV-985700	Everpure EF3000 Filtration System	\$ 326	\$ 435

## Outdoor Products - 24" Signature Series

Designed for best-in-class performance on hot summer days, Perlick's 24" Signature Series outdoor undercounter refrigeration offers a wide selection of storage for food and beverages in your outdoor kitchen or entertaining space. Powered by a robust 995 btu variable-speed compressor, Perlick's RAPIDcool forced-air refrigeration system outperforms comparable competitor units. Beverages are completely chilled twice as fast – and consistent – as the leading competitor model. UL-rated for outdoor use.

### 24" FEATURES

- Best in Class 1,000 BTU commercial-grade compressor
- Refrigerator rated for both food and beverage storage
- Beverage Center has two full-extension wine racks and one full-extension shelf
- Perlick's exclusive variable speed compressor - provides precise temperature control and energy-efficient cooling
- Industry exclusive freezer equipped with automatic hot gas defrost for maintenance-free defrosting
- Optional Martini Glass Chiller Rack (freezer only)
- Wine Reserve can hold up to 40 bottles of wine
- Beer Dispenser comes with a complete, self-contained beer system and portable drainer, no plumbing required
- Available Models: Refrigerator, Freezer, Beverage Center, Wine Reserve, Beer Dispenser



HP24BO-3-3L, 24" Signature Series Outdoor Beverage Center

24" SIGNATURE SERIES - OUTDOOR



**OUTDOOR FREEZER FEATURES**

- UL-rated for outdoor use
- 5.2 cu. ft. of Storage capacity
- Features Perlick's exclusive RAPIDcool forced-air refrigeration system, providing industry leading cooling performance
- Freezer equipped with automatic hot gas defrost for maintenance-free defrosting
- Stainless steel interior and exterior
- Temperature range: -10° - 10°F (-23.3° - -12.2°C)
- Three-year full warranty with Product Registration on complete unit - additional three year limited warranty on the sealed refrigeration system



**OUTDOOR DUAL-ZONE FREEZER/REFRIGERATOR FEATURES**

- UL rated for outdoor use
- Two independently-controlled temperature zones provide flexible storage for food and beverages
- Features Perlick's exclusive RAPIDcool forced-air refrigeration system, providing industry leading cooling performance
- Stainless steel interior and exterior
- Temperature range for top drawer (Refrigerator): 30° - 42°F (-1.1° - 5.5°C)
- Temperature range for bottom drawer (Freezer): -10° - 10°F (-23.3° - -17.7°C)
- Freezer equipped with automatic hot gas defrost for maintenance-free defrosting
- Three-year full warranty with Product Registration on complete unit - additional three year limited warranty on the sealed refrigeration system



**OUTDOOR REFRIGERATOR FEATURES**

- UL-rated for outdoor use
- Storage for 144 cans
- 5.2 cu. ft. storage capacity
- Features Perlick's exclusive RAPIDcool forced-air refrigeration system, providing industry leading cooling performance
- Stainless steel interior and exterior
- Temperature range: 33° - 42°F (.5° - 5.5°C)
- Three-year full warranty with Product Registration on complete unit - additional three year limited warranty on the sealed refrigeration system

## 24" SIGNATURE SERIES - OUTDOOR



### OUTDOOR DUAL-ZONE REFRIGERATOR/WINE RESERVE FEATURES

- Two independently-controlled temperature zones provide flexible storage for food, beverage and wine storage
- Storage capacity for 14 wine bottles and 41 cans
- Features Perlick's exclusive RAPIDcool forced-air refrigeration system, providing industry leading cooling performance
- Stainless steel interior and exterior
- Temperature range for top zone (Wine): 45° - 65°F (7.2° - 18.3°C)
- Temperature range for bottom zone (Refrigerator): 33° - 42°F (.5° - 5.5°C)
- Three-year full warranty with Product Registration on complete unit - additional three year limited warranty on the sealed refrigeration system



### OUTDOOR BEVERAGE CENTER FEATURES

- Storage for 16 wine bottles and 62 cans
- Rated for food and beverage storage
- Features Perlick's exclusive RAPIDcool forced-air refrigeration system, providing industry leading cooling performance
- Stainless steel interior and exterior
- Temperature range: 33° - 48°F (.5° - 8.8°C)
- Three-year full warranty with Product Registration on complete unit - additional three year limited warranty on the sealed refrigeration system



### OUTDOOR WINE RESERVE FEATURES

- UL-rated for outdoor use
- Storage for 40 wine bottles on five shelves
- 5.2 cu. ft. storage capacity
- Features Perlick's exclusive RAPIDcool forced-air refrigeration system, providing industry leading cooling performance
- Stainless steel interior and exterior
- Temperature range: 45° - 65°F (7.2° - 18.3°C)
- Three-year full warranty with Product Registration on complete unit - additional three year limited warranty on the sealed refrigeration system

## 24" SIGNATURE SERIES - OUTDOOR



### OUTDOOR DUAL-ZONE WINE/WINE FEATURES

- Two independently-controlled temperature zones provide precision temperature control for red and wine wines
- Storage for 14 wine bottles of red wine and 18 bottle of white wine
- Features Perlick's exclusive RAPIDcool forced-air refrigeration system, providing industry leading cooling performance
- Stainless steel interior and exterior
- Temperature range for top zone (Red Wine): 51° - 65°F (10.5° - 18.3°C)
- Temperature range for bottom zone (White Wine): 45° - 65°F (7.2° - 18.3°C)
- Three-year full warranty with Product Registration on complete unit - additional three year limited warranty on the sealed refrigeration system







### OUTDOOR BEER DISPENSER FEATURES

- Two 1/6 Barrels or One 1/4 Barrel (slim or standard)
- Self-contained beer system with portable drainer - no plumbing required
- Features Perlick's exclusive RAPIDcool forced-air refrigeration system, providing industry leading cooling performance
- Stainless steel interior and exterior
- Temperature range: 33° - 42°F (.5° - 5.5°C)
- "D" System Lo-Boy keg coupler(s) included; "S" System Lo-Boy keg coupler also available for those who favor certain European beers
- UL rated for outdoor use
- Three-year full warranty with Product Registration on complete unit - additional three year limited warranty on the sealed refrigeration system



## 24" OUTDOOR SIGNATURE SERIES

### 24" Signature Series - Refrigerators - Outdoor

MODEL	DESCRIPTION	UMRP (BUILDER)	MSRP (RETAIL)
HP24RO-3-1L	SS solid door, hinge left	\$ 3,739	\$ 4,001
HP24RO-3-1R	 SS solid door, hinge right	\$ 3,739	\$ 4,001
HP24RO-3-2L	 Fully integrated solid door, hinge left	\$ 3,619	\$ 3,872
HP24RO-3-2R	 Fully integrated solid door, hinge right	\$ 3,619	\$ 3,872
HP24RO-3-3L	 SS glass door, hinge left	\$ 3,899	\$ 4,172
HP24RO-3-3R	SS glass door, hinge right	\$ 3,899	\$ 4,172
HP24RO-3-4L	Fully integrated glass door, hinge left	\$ 3,769	\$ 4,033
HP24RO-3-4R	Fully integrated glass door, hinge right	\$ 3,769	\$ 4,033
HP24RO-3-5	SS drawers	\$ 4,339	\$ 4,643
HP24RO-3-6	Fully integrated drawers	\$ 4,209	\$ 4,504



HP24RO-3-3L

### 24" Signature Series - Freezers - Outdoor

MODEL	DESCRIPTION	UMRP (BUILDER)	MSRP (RETAIL)
HP24FO-3-1L	SS solid door, hinge left	\$ 4,059	\$ 4,343
HP24FO-3-1R	SS solid door, hinge right	\$ 4,059	\$ 4,343
HP24FO-3-2L	Fully integrated solid door, hinge left	\$ 3,929	\$ 4,204
HP24FO-3-2R	Fully integrated solid door, hinge right	\$ 3,929	\$ 4,204
HP24FO-3-5	SS drawers	\$ 4,659	\$ 4,985
HP24FO-3-6	Fully integrated drawers	\$ 4,529	\$ 4,846



HP24FO-3-1L

### 24" Signature Series - Dual-Zone Freezer/Refrigerator - Outdoor

MODEL	DESCRIPTION	UMRP (BUILDER)	MSRP (RETAIL)
HP24ZO-3-5	24" Dual Zone Freezer/Refrig, OD, SS Drawers	\$ 4,999	\$ 5,349
HP24ZO-3-6	24" Dual Zone Freezer/Refrig, OD, F.I. Drawers	\$ 4,879	\$ 5,221



HP24ZO-3-5

### 24" Signature Series - Dual-Zone Refrigerators/Wine Reserve - Outdoor

MODEL	DESCRIPTION	UMRP (BUILDER)	MSRP (RETAIL)
HP24CO-3-1L	24" Dual Zone Refrig/Wine, OD, SS Solid Door, LH	\$ 4,499	\$ 4,814
HP24CO-3-1R	24" Dual Zone Refrig/Wine, OD, SS Solid Door, RH	\$ 4,499	\$ 4,814
HP24CO-3-2L	24" Dual Zone Refrig/Wine, OD, F.I. Solid Door, LH	\$ 4,369	\$ 4,675
HP24CO-3-2R	24" Dual Zone Refrig/Wine, OD, F.I. Solid Door, RH	\$ 4,369	\$ 4,675
HP24CO-3-3L	24" Dual Zone Refrig/Wine, OD, SS Glass Door, LH	\$ 4,649	\$ 4,974
HP24CO-3-3R	24" Dual Zone Refrig/Wine, OD, SS Glass Door, RH	\$ 4,649	\$ 4,974
HP24CO-3-4L	24" Dual Zone Refrig/Wine, OD, F.I. Glass Door, LH	\$ 4,519	\$ 4,835
HP24CO-3-4R	24" Dual Zone Refrig/Wine, OD, F.I. Glass Door, RH	\$ 4,519	\$ 4,835



HP24CO-3-3L

 \* Equipped with Energy Star Technology

## 24" OUTDOOR SIGNATURE SERIES

### 24" Signature Series - Beverage Centers - Outdoor



HP24BO-3-3R

MODEL	DESCRIPTION	UMRP (BUILDER)	MSRP (RETAIL)
HP24BO-3-1L	SS solid door, hinge left	\$ 3,799	\$ 4,065
HP24BO-3-1R	SS solid door, hinge right	\$ 3,799	\$ 4,065
HP24BO-3-2L	Fully integrated solid door, hinge left	\$ 3,669	\$ 3,926
HP24BO-3-2R	Fully integrated solid door, hinge right	\$ 3,669	\$ 3,926
HP24BO-3-3L	SS glass door, hinge left	\$ 3,959	\$ 4,236
HP24BO-3-3R	SS glass door, hinge right	\$ 3,959	\$ 4,236
HP24BO-3-4L	Fully integrated glass door, hinge left	\$ 3,829	\$ 4,097
HP24BO-3-4R	Fully integrated glass door, hinge right	\$ 3,829	\$ 4,097

### 24" Signature Series - Wine Reserves - Outdoor



HP24WO-3-3R

MODEL	DESCRIPTION	UMRP (BUILDER)	MSRP (RETAIL)
HP24WO-3-1L	SS solid door, hinge left	\$ 4,109	\$ 4,397
HP24WO-3-1R	SS solid door, hinge right	\$ 4,109	\$ 4,397
HP24WO-3-2L	Fully integrated solid door, hinge left	\$ 3,979	\$ 4,258
HP24WO-3-2R	Fully integrated solid door, hinge right	\$ 3,979	\$ 4,258
HP24WO-3-3L	SS glass door, hinge left	\$ 4,269	\$ 4,568
HP24WO-3-3R	SS glass door, hinge right	\$ 4,269	\$ 4,568
HP24WO-3-4L	Fully integrated glass door, hinge left	\$ 4,139	\$ 4,429
HP24WO-3-4R	Fully integrated glass door, hinge right	\$ 4,139	\$ 4,429

### 24" Signature Series - Dual Zone - Wine / Wine - Outdoor



HP24DO-3-3L

MODEL	DESCRIPTION	UMRP (BUILDER)	MSRP (RETAIL)
HP24DO-3-1L	SS solid door, hinge left	\$ 4,419	\$ 4,728
HP24DO-3-1R	SS solid door, hinge right	\$ 4,419	\$ 4,728
HP24DO-3-2L	Fully integrated solid door, hinge left	\$ 4,289	\$ 4,589
HP24DO-3-2R	Fully integrated solid door, hinge right	\$ 4,289	\$ 4,589
HP24DO-3-3L	SS glass door, hinge left	\$ 4,579	\$ 4,900
HP24DO-3-3R	SS glass door, hinge right	\$ 4,579	\$ 4,900
HP24DO-3-4L	Fully integrated glass door, hinge left	\$ 4,449	\$ 4,760
HP24DO-3-4R	Fully integrated glass door, hinge right	\$ 4,449	\$ 4,760

### 24" Signature Series - Beer Dispensers - Outdoor



HP24TS-3-1R2

MODEL	DESCRIPTION	UMRP (BUILDER)	MSRP (RETAIL)
HP24TO-3-1L1	SS solid door, hinge left / 1 tap	\$ 4,599	\$ 4,921
HP24TO-3-1R1	SS solid door, hinge right / 1 tap	\$ 4,599	\$ 4,921
HP24TO-3-2L1	Fully integrated solid door, hinge left / 1 tap	\$ 4,479	\$ 4,793
HP24TO-3-2R1	Fully Integrated solid door, hinge right / 1 tap	\$ 4,479	\$ 4,793
HP24TO-3-1L2	SS solid door, hinge left / 2 tap	\$ 4,999	\$ 5,349
HP24TO-3-1R2	SS solid door, hinge right / 2 tap	\$ 4,999	\$ 5,349
HP24TO-3-2L2	Fully Integrated solid door, hinge left / 2 tap	\$ 4,869	\$ 5,210
HP24TO-3-2R2	Fully Integrated solid door hinge right / 2 tap	\$ 4,869	\$ 5,210

\* Equipped with Energy Star Technology

**See Full List of Accessories on Page 64**



## Outdoor Products - 24" Signature Series Sottile 18" Shallow Depth

Perlick's industry exclusive 18" depth Signature Series Sottile refrigeration provides storage for shallow-depth outdoor spaces that can't accommodate a traditional 24" depth. Its 32" height makes this product ADA compliant for accessible designs. It's unique slim profile makes this model a designer favorite because of its incredible versatility. UL-rated for outdoor use.

### FEATURES

- Unique 18" depth and 32" ADA height
- Perlick's exclusive variable speed compressor - provides precise temperature control and energy-efficient cooling
- State-of-the-art digital control module
- Commercial grade stainless steel interiors and exteriors
- Adjustable Crisp White and Cool Blue LED lighting
- Adjustable, full-extension pull-out shelves make stocking and retrieving bottles easy
- Dimensions: 24"W x 18"D x 32"H



## 24" SIGNATURE SERIES SOTTILE 18" SHALLOW DEPTH-OUTDOOR



### SOTTILE OUTDOOR REFRIGERATOR FEATURES

- Storage for 68 cans (12oz.) in 3.1 cu. ft.
- ADA compliant 32" height for accesible design
- Features Perlick's exclusive RAPIDcool forced-air refrigeration system, providing industry leading cooling performance
- Stainless steel interior and exterior
- Temperature range: 33° - 42°F (.5° - 5.5°C)
- Three-year full warranty with Product Registration on complete unit - additional three year limited warranty on the sealed refrigeration system



### SOTTILE OUTDOOR BEVERAGE CENTER FEATURES

- Storage for 10 wine bottles (750ml.) and 41 cans (12oz.) in 3.1 cu. ft.
- ADA compliant 32" height for accesible design
- Features Perlick's exclusive RAPIDcool forced-air refrigeration system, providing industry leading cooling performance
- Stainless steel interior and exterior
- Temperature range: 33° - 48°F (.5° - 8.8°C)
- Three-year full warranty with Product Registration on complete unit - additional three year limited warranty on the sealed refrigeration system







### SOTTILE OUTDOOR WINE RESERVE FEATURES

- Storage for 20 wine bottles (750ml.)
- ADA compliant 32" height for accesible design
- Features Perlick's exclusive RAPIDcool forced-air refrigeration system, providing industry leading cooling performance
- Stainless steel interior and exterior
- Temperature range: 45° - 65°F (7.2° - 18.3°C)
- Three-year full warranty with Product Registration on complete unit - additional three year limited warranty on the sealed refrigeration system



## 24" SIGNATURE SERIES SOTTILE 18" SHALLOW DEPTH - OUTDOOR





### Sottile 18" Shallow Depth Series - 24" Refrigerators - Outdoor

MODEL	DESCRIPTION	UMRP (BUILDER)	MSRP (RETAIL)
HH24RO-3-1L	 SS Solid Door, Hinge Left	\$ 3,159	\$ 3,380
HH24RO-3-1R	 SS Solid Door, Hinge Right	\$ 3,159	\$ 3,380
HH24RO-3-2L	 Fully Integrated Solid Door, Hinge Left	\$ 3,029	\$ 3,241
HH24RO-3-2R	 Fully Integrated Solid Door, Hinge Right	\$ 3,029	\$ 3,241
HH24RO-3-3L	SS Glass Door, Hinge Left	\$ 3,299	\$ 3,530
HH24RO-3-3R	SS Glass Door, Hinge Right	\$ 3,299	\$ 3,530
HH24RO-3-4L	Fully Integrated Glass Door, Hinge Left	\$ 3,179	\$ 3,402
HH24RO-3-4R	Fully Integrated Glass Door, Hinge Right	\$ 3,179	\$ 3,402



HH24RO-3-3R

### Sottile 18" Shallow Depth Series - 24" Beverage Centers - Outdoor

MODEL	DESCRIPTION	UMRP (BUILDER)	MSRP (RETAIL)
HH24BO-3-1L	 SS Solid Door, Hinge Left	\$ 3,209	\$ 3,434
HH24BO-3-1R	 SS Solid Door, Hinge Right	\$ 3,209	\$ 3,434
HH24BO-3-2L	 Fully Integrated Solid Door, Hinge Left	\$ 3,079	\$ 3,295
HH24BO-3-2R	 Fully Integrated Solid Door, Hinge Right	\$ 3,079	\$ 3,295
HH24BO-3-3L	SS Glass Door, Hinge Left	\$ 3,369	\$ 3,605
HH24BO-3-3R	SS Glass Door, Hinge Right	\$ 3,369	\$ 3,605
HH24BO-3-4L	Fully Integrated Glass Door, Hinge Left	\$ 3,239	\$ 3,466
HH24BO-3-4R	Fully Integrated Glass Door, Hinge Right	\$ 3,239	\$ 3,466



HH24BO-3-3R

### 24" Sottile 18" Shallow Depth Series - 24" Wine Reserve - Outdoor

MODEL	DESCRIPTION	UMRP (BUILDER)	MSRP (RETAIL)
HH24WO-3-1L	SS Solid Door, Hinge Left	\$ 3,319	\$ 3,551
HH24WO-3-1R	SS Solid Door, Hinge Right	\$ 3,319	\$ 3,551
HH24WO-3-2L	Fully Integrated Solid Door, Hinge Left	\$ 3,189	\$ 3,412
HH24WO-3-2R	Fully Integrated Solid Door, Hinge Right	\$ 3,189	\$ 3,412
HH24WO-3-3L	SS Glass Door, Hinge Left	\$ 3,469	\$ 3,712
HH24WO-3-3R	SS Glass Door, Hinge Right	\$ 3,469	\$ 3,712
HH24WO-3-4L	Fully Integrated Glass Door, Hinge Left	\$ 3,339	\$ 3,573
HH24WO-3-4R	Fully Integrated Glass Door, Hinge Right	\$ 3,339	\$ 3,573



HH24WO-3-3R

 \* Equipped with Energy Star Technology



## PERLICK ACCESSORIES

### Accessories for C-Series

MODEL	DESCRIPTION	UMRP (BUILDER)	MSRP (RETAIL)
L1	Door Locks, Factory Installed (Stainless Steel Only)	\$ 26	\$ 28
67991-L	Stacking Kit - HP24/HC24/HA24 - Hinge Left	\$ 294	\$ 315
67991-R	Stacking Kit - HP24/HC24/HA24 - Hinge Right	\$ 294	\$ 315
66736	Castors (24" Units)	\$ 344	\$ 368
67439L	Left Hinge Kit	\$ 135	\$ 144
67439R	Right Hinge Kit	\$ 135	\$ 144
RS-24-24R	Refrigerator/Freezer Shelf	\$ 139	\$ 149
RS-24-24D	Divider Shelf	\$ 169	\$ 181
RS-24-24W	Wine Shelf	\$ 139	\$ 149
67115-24	Wine Shelf Wood Faces (bundle of 7)	\$ 116	\$ 124
67964	24" Stainless Steel Drawer Dividers (Set of 3)	\$ 85	\$ 91
RK24DP	Drawer Pan Organizer	\$ 225	\$ 241
67440L	Door Lock, Left-Field Install-Overlay Only	\$ 142	\$ 152
67440R	Door Lock, Right-Field Install-Overlay Only	\$ 142	\$ 152

### Accessories for all 15" Units

MODEL	DESCRIPTION	UMRP (BUILDER)	MSRP (RETAIL)
L1	Door Locks, Factory Installed (Stainless Steel Only)	\$ 26	\$ 28
67990-L	Stacking Kit - HP15 - Hinge Left	\$ 294	\$ 315
67990-R	Stacking Kit - HP15 - Hinge Right	\$ 294	\$ 315
66736-15	Castors for 15" Units	\$ 193	\$ 207
67439L	Left Hinge Kit	\$ 135	\$ 144
67439R	Right Hinge Kit	\$ 135	\$ 144
RS-15-15R	15" Refrigerator Shelf	\$ 116	\$ 124
RS-15-15W	15" Wine Shelf	\$ 116	\$ 124
67115-15	Wine Shelf Wood Faces (bundle of 5)	\$ 116	\$ 124
67440L	Door Lock, Left-Field Install-Overlay Only	\$ 142	\$ 152
67440R	Door Lock, Right-Field Install-Overlay Only	\$ 142	\$ 152



RS-24-24R



RS-24-24W



RS-24-24D



67115-24



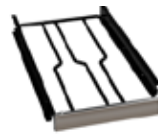
67964



RK24DP



RS-15-15R



RS-15-15W



67115-15

\*\*Used by brands such as Heineken, Newcastle, Stella Artois, Amstel, Bemish, Murphy's, Strongbow and Hofbrau.

## PERLICK ACCESSORIES

### Accessories for Beer Dispensers

MODEL	DESCRIPTION	UMRP (BUILDER)	MSRP (RETAIL)
66585-2	Dual Faucet Tapping Kit (if sold separately)	\$ 1,418	\$ 1,517
63797	Cleaning Kit (includes pump, sanitizer and tools to clean lines)	\$ 177	\$ 189
BLC4	Sanitizer 4 oz. Bottle	\$ 6	\$ 6
BLC32	Sanitizer 33 oz. Bottle	\$ 24	\$ 26
308-40C	C-Series Faucet Lock	\$ 92	\$ 98
L1	Door Locks, Factory Installed	\$ 26	\$ 28
630SS	630SS Forward Sealing Beer Faucet	\$ 87	\$ 93
67141-1	Perlick Faucet Handle	\$ 79	\$ 85
67782	Drip Pan for Beer Dispensers	\$ 153	\$ 164
40030S	Lo-Boy "S" Series Keg Coupler**	\$ 147	\$ 157
40030SSLD	Lo-Boy "D" Series Keg Coupler*	\$ 130	\$ 139
RS-CDK	Iced Coffee Dispensing Kit - <b>New</b>	\$ 520	\$ 556
RS-25KG	Coffee Keg - <b>New</b>	\$ 312	\$ 334
RS-NCY	Nitrogen Cylinder - <b>New</b>	\$ 156	\$ 167

### Clear & Cubelet Ice Makers Accessories

MODEL	DESCRIPTION	UMRP (BUILDER)	MSRP (RETAIL)
63802A	Drain Pump	\$ 445	\$ 449
67282	SS Toe Kick - Ice Makers	\$ 91	\$ 97
EV-985700	Everpure EF3000 Filtration System	\$ 326	\$ 435

### Accessories for all 24" units

MODEL	DESCRIPTION	UMRP (BUILDER)	MSRP (RETAIL)
L1	Door Locks, Factory Installed (Stainless Steel Only)	\$ 26	\$ 28
67991-L	Stacking Kit - HP24/HC24/HA24 - Hinge Left	\$ 294	\$ 315
67991-R	Stacking Kit - HP24/HC24/HA24 - Hinge Right	\$ 294	\$ 315
66736	Castors (24" Units)	\$ 344	\$ 368
67439L	Left Hinge Kit	\$ 135	\$ 144
67439R	Right Hinge Kit	\$ 135	\$ 144
67964	24" Stainless Steel Drawer Dividers (Set of 3)	\$ 85	\$ 91
RS-24-24R	Refrigerator/Freezer Shelf	\$ 139	\$ 149
RS-24-24M	Martini Glass Chiller Shelf	\$ 269	\$ 288
RS-24-24D	Divider Shelf	\$ 169	\$ 181
RS-24-24W	Wine Shelf for HP24 Wine Reserves	\$ 139	\$ 149
RS-24-24WD	Wine Shelf for Dual Zone	\$ 139	\$ 149
67115-24	Wine Shelf Wood Faces (bundle of 7)	\$ 116	\$ 124
65629	Wine Bottle Display Rack	\$ 82	\$ 88
RK24DP	Drawer Pan Organizer	\$ 225	\$ 241
67440L	Door Lock, Left-Field Install-Overlay Only	\$ 142	\$ 152
67440R	Door Lock, Right-Field Install-Overlay Only	\$ 142	\$ 152

See accessory shelf pictures on page 63.

## PERLICK ACCESSORIES

### Accessories for Sottile 18" Shallow Depth

MODEL	DESCRIPTION	UMRP (BUILDER)	MSRP (RETAIL)
L1	Door Lock, Factory Installed	\$ 26	\$ 28
67992-L	Stacking Kit for HH24 Models, Left Hinge	\$ 294	\$ 315
67992-R	Stacking Kit for HH24 Models, Right Hinge	\$ 294	\$ 315
RS-18-18R	Refrigerator Shelf	\$ 154	\$ 165
RS-18-18W	Wine Shelf	\$ 169	\$ 181
67115-24	Wine Shelf Wood Faces (bundle of 7)	\$ 116	\$ 124
67439L	Left Hinge Kit	\$ 135	\$ 144
67439R	Right Hinge Kit	\$ 135	\$ 144
67360	6" Toe Kick KIT - Base + Grille for Sottile 18" Shallow Depth	\$ 167	\$ 179
67440L	Door Lock, Left-Field Install-Overlay Only	\$ 142	\$ 152
67440R	Door Lock, Right-Field Install-Overlay Only	\$ 142	\$ 152

### 48" Signature Series Accessories

MODEL	DESCRIPTION	UMRP (BUILDER)	MSRP (RETAIL)
L1	Door Locks, Factory Installed (Stainless Steel Only)	\$ 26	\$ 28
67440L	Door Lock, Left (Overlay Only)	\$ 142	\$ 152
67440R	Door Lock, Right (Overlay Only)	\$ 142	\$ 152
67993-LR	Stacking Kit for HP48 with LH / RH Configuration	\$ 331	\$ 354
67439L	Left Hinge Kit	\$ 135	\$ 144
67439R	Right Hinge Kit	\$ 135	\$ 144
RS-24-24W	Wine Shelf	\$ 139	\$ 149
67115-24	Wine Shelf Wood Faces (bundle of 7)	\$ 116	\$ 124
65629	Wine Bottle Display Rack	\$ 82	\$ 88

### Accessories for ADA Compliant Series

MODEL	DESCRIPTION	UMRP (BUILDER)	MSRP (RETAIL)
L1	Door Locks, Factory Installed (Stainless Steel Only)	\$ 26	\$ 28
67440L	Door Lock, Left (Overlay Only)	\$ 142	\$ 152
67440R	Door Lock, Right (Overlay Only)	\$ 142	\$ 152
67991-L	Stacking Kit - HP24/HC24/HA24 - Hinge Left	\$ 294	\$ 315
67991-R	Stacking Kit - HP24/HC24/HA24 - Hinge Right	\$ 294	\$ 315
66736	Castors (24" Units)	\$ 344	\$ 368
67439L	Left Hinge Kit	\$ 135	\$ 144
67439R	Right Hinge Kit	\$ 135	\$ 144
RS-24-24R	Refrigerator/Freezer Shelf	\$ 139	\$ 149
RS-24-24M	Martini Glass Chiller Shelf	\$ 269	\$ 288
RS-24-24D	Divider Shelf	\$ 169	\$ 181
RS-24-24W	Wine Shelf	\$ 139	\$ 149
67115-24	Wine Shelf Wood Faces (bundle of 7)	\$ 116	\$ 124
67164	6" Toe Kick - SS, for ADA Models	\$ 193	\$ 207
RK24DP	Drawer Pan Organizer	\$ 225	\$ 241

# Perlick and ENERGY STAR

The following Perlick products are ENERGY STAR qualified.



**MODEL**

**15" SIGNATURE SERIES**

HP15RS-3-1L*	Indoor Refrigerator, solid stainless steel door, hinge left*
HP15RS-3-2L*	Indoor Refrigerator, solid fully integrated door, hinge left*
HP15BS-3-1L*	Indoor Beverage Center, solid stainless steel door, hinge left*
HP15BS-3-2L*	Indoor Beverage Center, solid fully integrated door, hinge left*
HP15RO-3-1L*	Outdoor Refrigerator, solid stainless steel door, hinge left*
HP15RO-3-2L*	Outdoor Refrigerator, solid fully integrated door, hinge left*
HP15BO-3-1L*	Outdoor Beverage Center, solid stainless steel door, hinge left*
HP15BO-3-2L*	Outdoor Beverage Center, solid fully integrated door, hinge left*



**MODEL**

**24" SIGNATURE SERIES**

HP24RS-3-1L*	Indoor Refrigerator, solid stainless steel door, hinge left*
HP24RS-3-2L*	Indoor Refrigerator, solid fully integrated door, hinge left*
HP24BS-3-1L*	Indoor Beverage Center, solid stainless steel door, hinge left*
HP24BS-3-2L*	Indoor Beverage Center, solid fully integrated door, hinge left*
HP24RO-3-1L*	Outdoor Refrigerator, solid stainless steel door, hinge left*
HP24RO-3-2L*	Outdoor Refrigerator, solid fully integrated door, hinge left*
HP24BO-3-1L*	Outdoor Beverage Center, solid stainless steel door, hinge left*
HP24BO-3-2L*	Outdoor Beverage Center, solid fully integrated door, hinge left*



**MODEL**

**24" SIGNATURE SERIES SOTTILE**

HH24RS-3-1L*	Indoor Refrigerator, solid stainless steel door, hinge left*
HH24RS-3-2L*	Indoor Refrigerator, solid fully integrated door, hinge left*
HH24BS-3-1L*	Indoor Beverage Center, solid stainless steel door, hinge left*
HH24BS-3-2L*	Indoor Beverage Center, solid fully integrated door, hinge left*
HH24RO-3-1L*	Outdoor Refrigerator, solid stainless steel door, hinge left*
HH24RO-3-2L*	Outdoor Refrigerator, solid fully integrated door, hinge left*
HH24BO-3-1L*	Outdoor Beverage Center, solid stainless steel door, hinge left*
HH24BO-3-2L*	Outdoor Beverage Center, solid fully integrated door, hinge left*



**MODEL**

**24" C-SERIES**

HC24RB-3-1L*	Indoor Refrigerator, solid stainless steel door, hinge left*
HC24RB-3-2L*	Indoor Refrigerator, solid fully integrated door, hinge left*
HC24BB-3-1L*	Indoor Beverage Center, solid stainless steel door, hinge left*
HC24BB-3-2L*	Indoor Beverage Center, solid fully integrated door, hinge left*
HC24RO-3-1L*	Outdoor Refrigerator, solid stainless steel door, hinge left*
HC24RO-3-2L*	Outdoor Refrigerator, solid fully integrated door, hinge left*



**MODEL**

**24" ADA-COMPLIANT SERIES**

HA24RB-3-1L*	Indoor Refrigerator, solid stainless steel door, hinge left*
HA24RB-3-2L*	Indoor Refrigerator, solid fully integrated door, hinge left*
HA24BB-3-1L*	Indoor Beverage Center, solid stainless steel door, hinge left*
HA24BB-3-2L*	Indoor Beverage Center, solid fully integrated door, hinge left*

\* Also available with hinge right

## DOOR STYLES

Perlick doors and drawers are manufactured to readily accept a fully-integrated wood panel, which means you can seamlessly blend any Perlick units into your new or existing cabinetry. Wood panels are built to Perlick specifications by your cabinet-maker, which means you are in full control of the wood, design and finish of your doors and drawers.

Perlick is the only manufacturer to feature a convertible door design, which means any of the doors can be converted to wood overlay from stainless steel. As the look of your space changes, so can the look of your Perlick. Wood overlays are simple to install, which means you can change out panels to match new cabinetry or decor. Visit [perlick.com](http://perlick.com) to download wood overlay templates and create your custom look today.

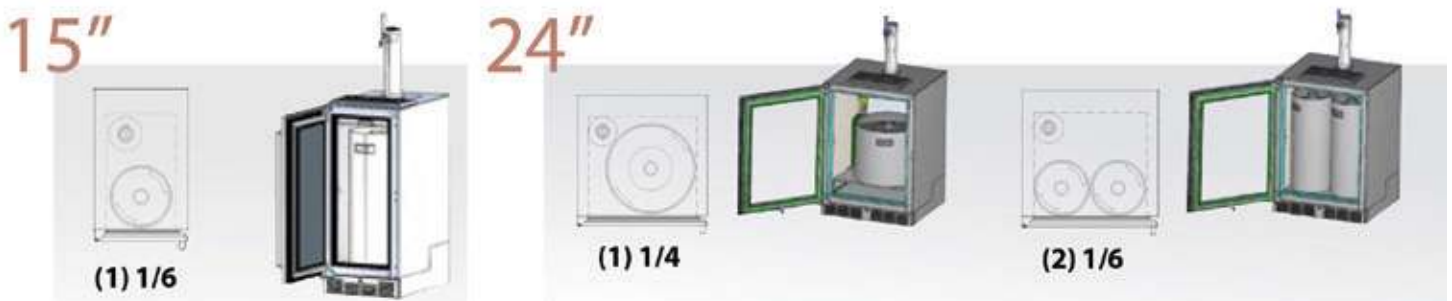
## AVAILABLE DOOR STYLES



1 - SS Solid Door    2 - F.I. Solid Door    3 - SS Glass Door    4 - F.I. Glass Door    5 - SS Drawer    6 - F.I. Drawer

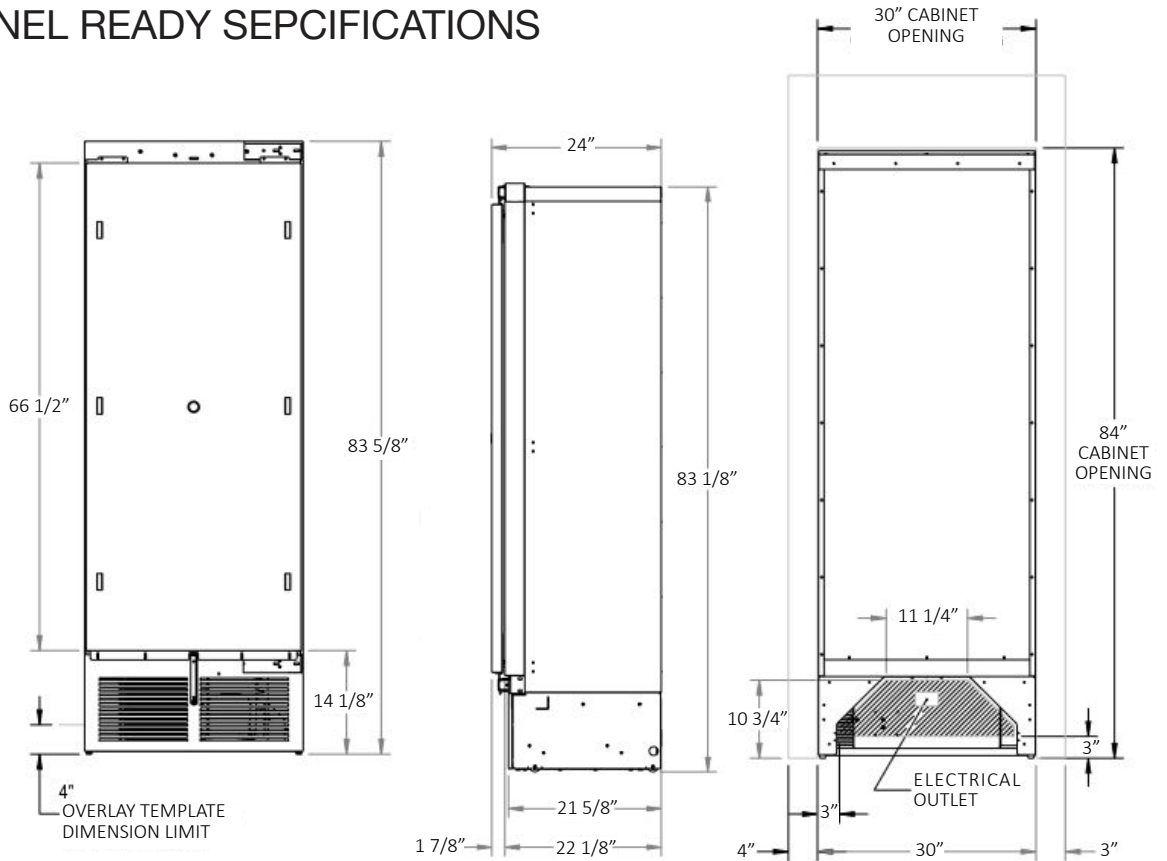
## KEG LAYOUTS

Below you'll find keg configurations for Perlick 15" and 24" Beer Dispensers. Note that 15" units can accommodate one (1) tap and 24" units can accommodate up to two (2) taps.





# 30" REFRIGERATOR COLUMN PANEL READY SEPCIFICATIONS



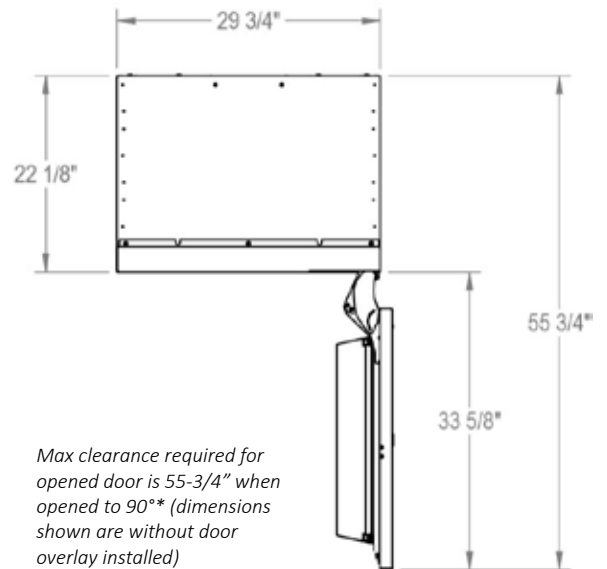
## PRODUCT SPECIFICATIONS

<b>Appliance Dimensions</b>	Exterior Width	29-3/4"
	Exterior Depth	24"*
	Exterior Height	83-11/16"
<b>Required Cutout Dimensions</b>	Cutout Width	30"
	Cutout Depth	25"
	Cutout Height	84"
<b>Depth with Door Open</b>	55-3/4" (less door overlay installed)	
<b>Product Weight</b>	560 lbs	
<b>Capacity</b>	16.6 cu. ft.	
<b>Electrical Requirements</b>	Electrical Supply	115V, 60 Hz., 1 Phase, 2.3 amps
	Electrical Service	15 amp dedicated circuit
	Power Cord/ Receptacle	NEMA 5-15 plug, 5' /3 prong grounding-type

\*Less panel. With typical 3/4" overlay panel installed, depth becomes 24-3/4"

## AVAILABLE MODELS

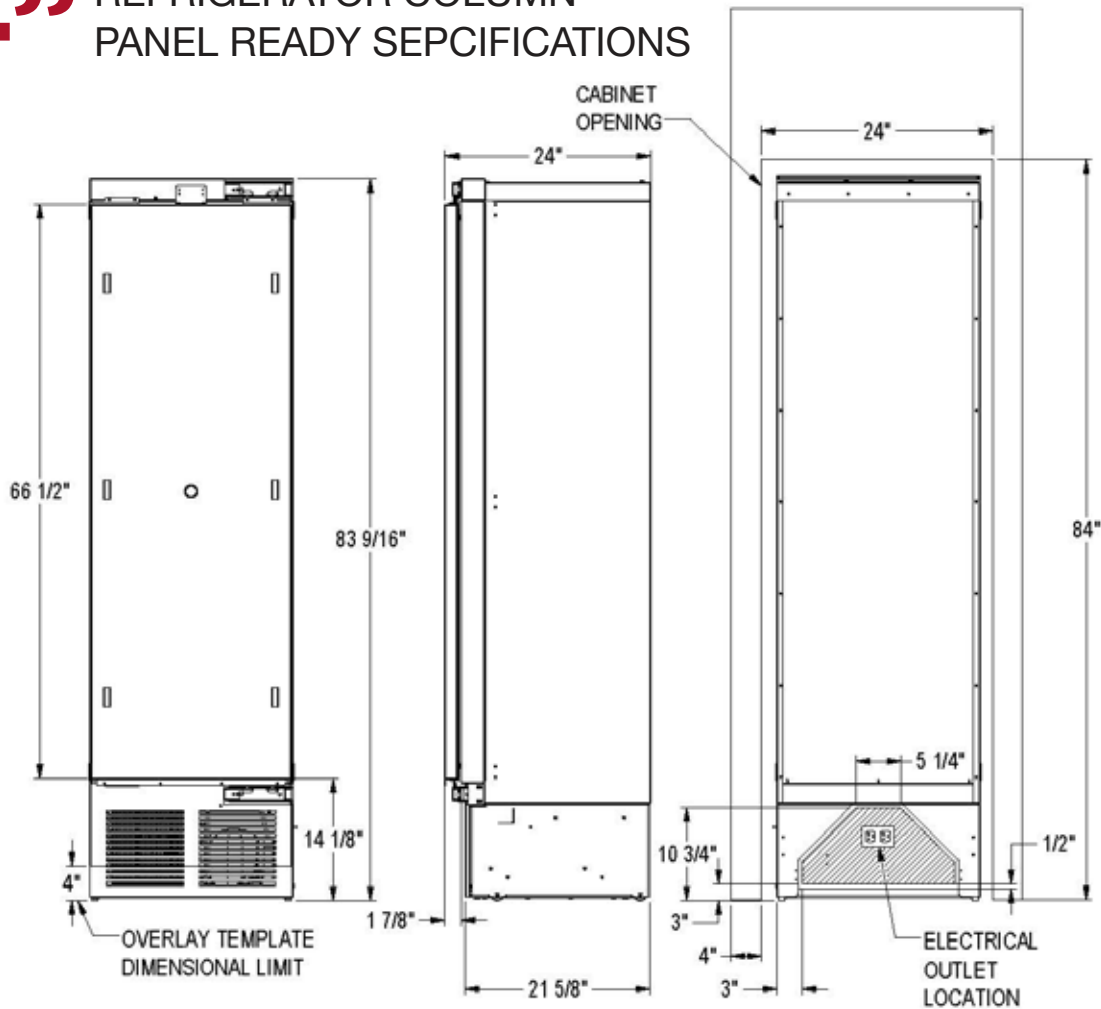
<b>CR30R-1-2L</b>	Refrigerator, solid overlay ready, hinged left
<b>CR30R-1-2R</b>	Refrigerator, solid overlay ready, hinged right



(please note that door opens to 115°)

\*90° achieved when included hinge stop pin is installed. Pin must be installed prior to full integration

# 24" REFRIGERATOR COLUMN PANEL READY SPECIFICATIONS

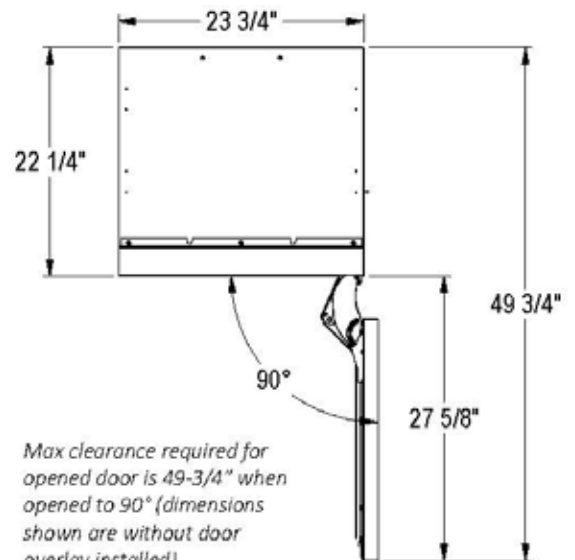


## PRODUCT SPECIFICATIONS

<b>Appliance Dimensions</b>	Exterior Width	23-3/4"
	Exterior Depth	24"*
	Exterior Height	83-11/16"
<b>Required Cutout Dimensions</b>	Cutout Width	24"
	Cutout Depth	25"
	Cutout Height	84"
<b>Depth with Door Open</b>	49-3/4" (less door overlay installed)	
<b>Product Weight</b>	486 lbs	
<b>Capacity</b>	12.6 cu. ft.	

## AVAILABLE MODELS

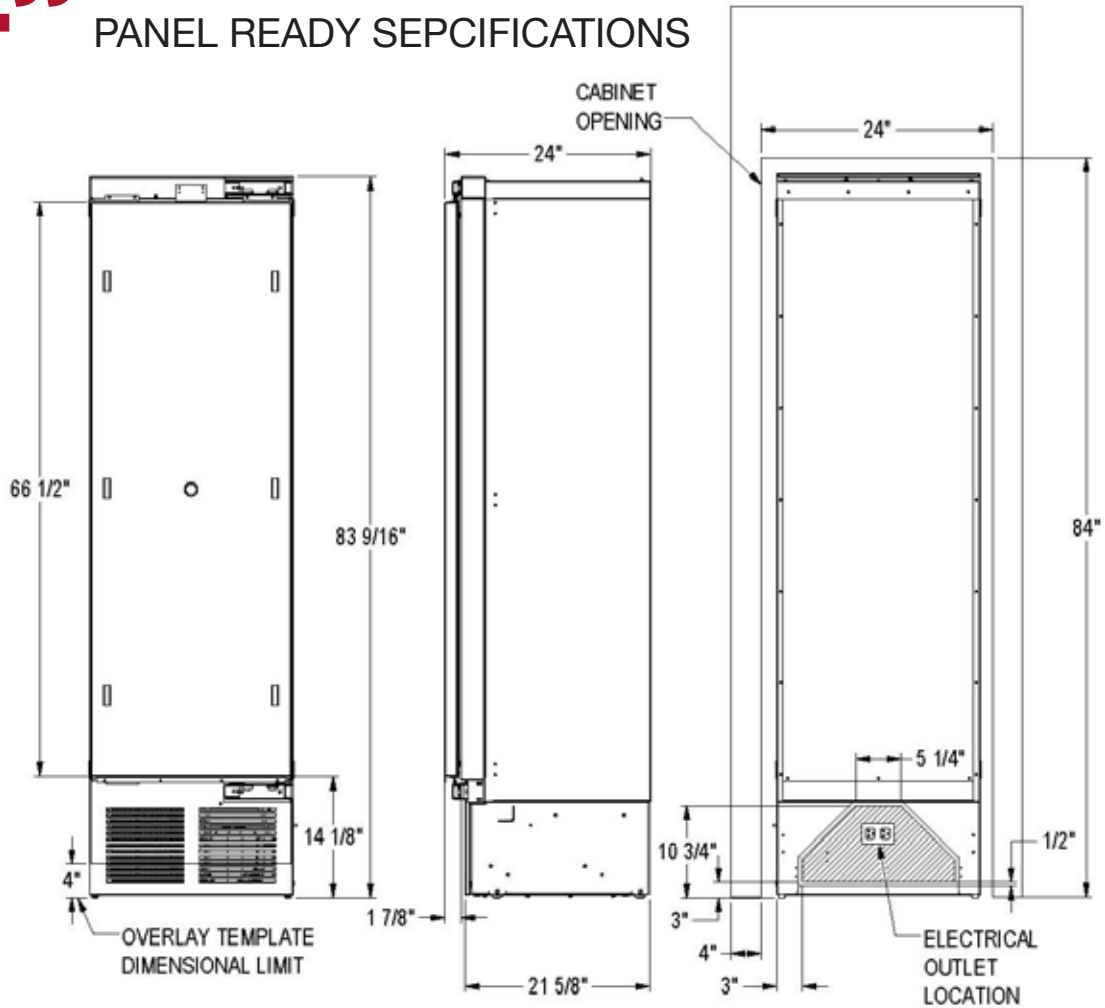
<b>CR24R-1-2L</b>	Refrigerator, solid overlay ready, hinged left
<b>CR24R-1-2R</b>	Refrigerator, solid overlay ready, hinged right



Max clearance required for opened door is 49-3/4" when opened to 90° (dimensions shown are without door overlay installed)

(please note that door opens to 105°)

# 24" FREEZER COLUMN PANEL READY SPECIFICATIONS

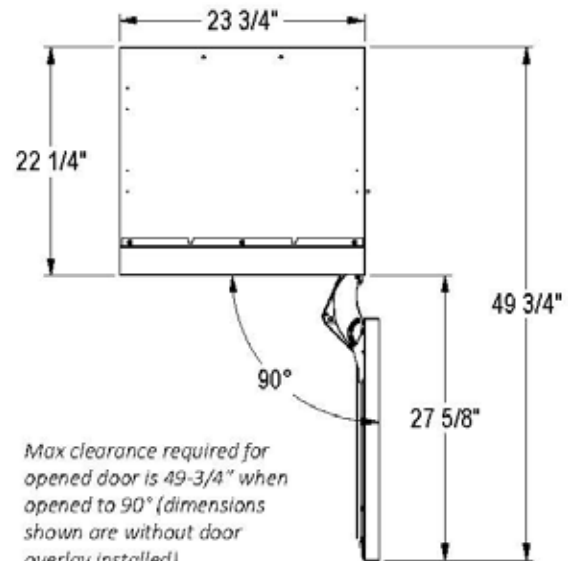


**PRODUCT SPECIFICATIONS**

Appliance Dimensions	Exterior Width	23-3/4"
	Exterior Depth	24"*
	Exterior Height	83-11/16"
Required Cutout Dimensions	Cutout Width	24"
	Cutout Depth	25"
	Cutout Height	84"
Depth with Door Open	49-3/4" (less door overlay installed)	
Product Weight	448 lbs	
Capacity	12.6 cu. ft.	

**AVAILABLE MODELS**

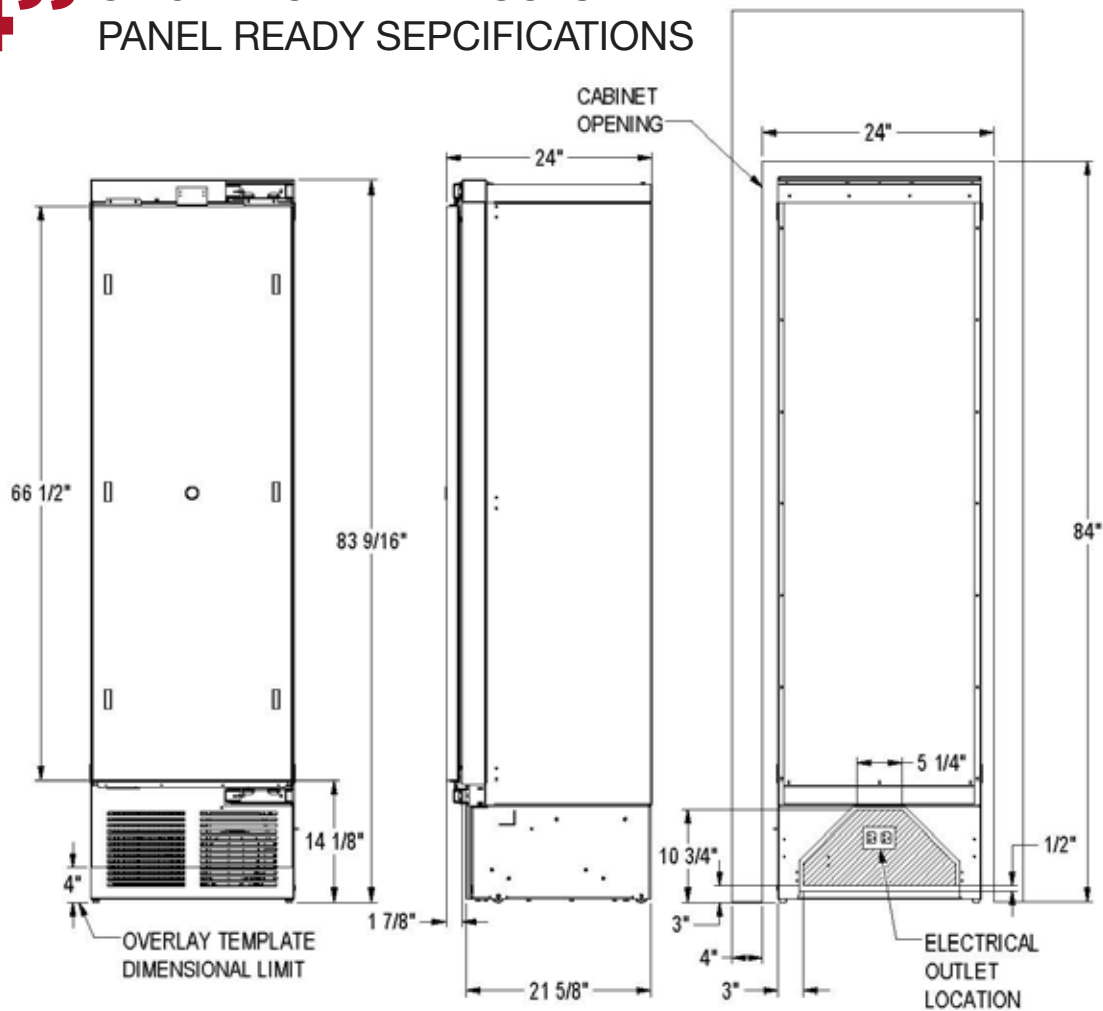
CR24F-1-2L	Freezer, solid overlay ready, hinged left
CR24F-1-2R	Freezer, solid overlay ready, hinged right



Max clearance required for opened door is 49-3/4" when opened to 90° (dimensions shown are without door overlay installed)

(please note that door opens to 105°)

# 24" SINGLE-ZONE WINE COLUMN PANEL READY SEPCIFICATIONS

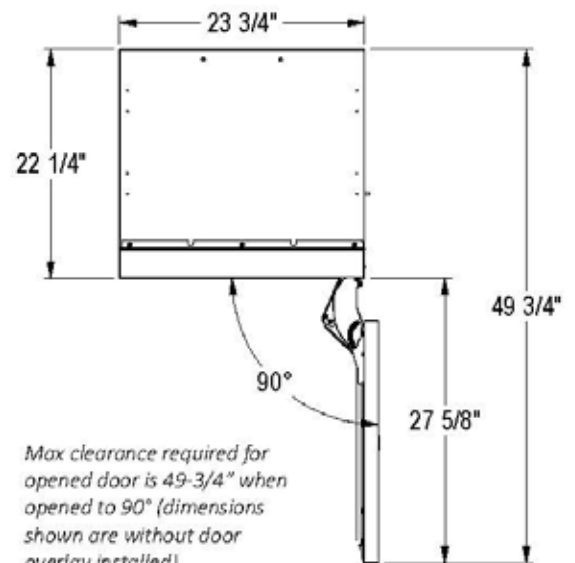


## PRODUCT SPECIFICATIONS

Appliance Dimensions	Exterior Width	23-3/4"
	Exterior Depth	24"*
	Exterior Height	83-11/16"
Required Cutout Dimensions	Cutout Width	24"
	Cutout Depth	25"
	Cutout Height	84"
Depth with Door Open	49-3/4" (less door overlay installed)	
Product Weight	534 lbs	
Capacity	12.6 cu. ft.	

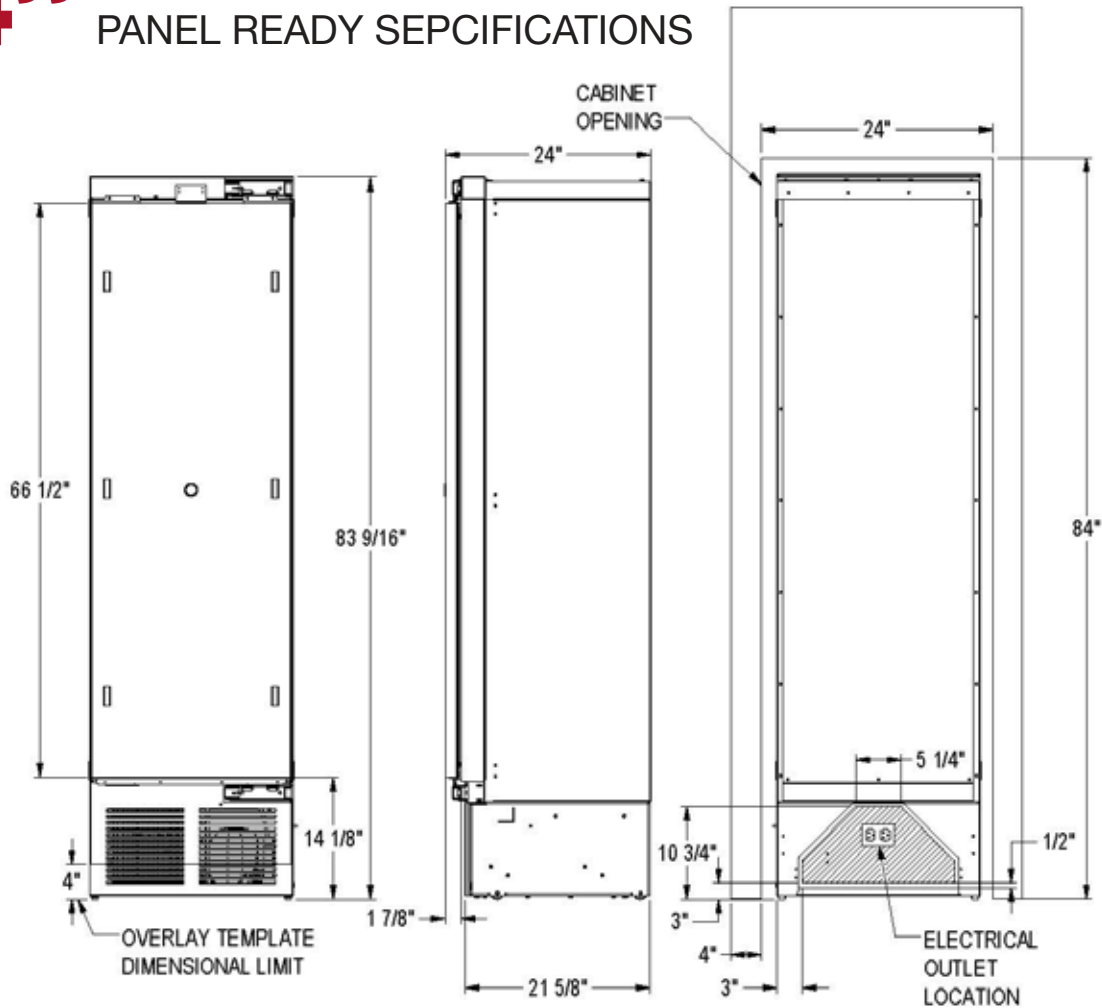
## AVAILABLE MODELS

CR24W-1-4L	Single-zone wine, glass overlay ready, hinged left
CR24W-1-4R	Single-zone wine, glass overlay ready, hinged right



(please note that door opens to 105°)

# 24" DUAL-ZONE WINE COLUMN PANEL READY SEPCIFICATIONS

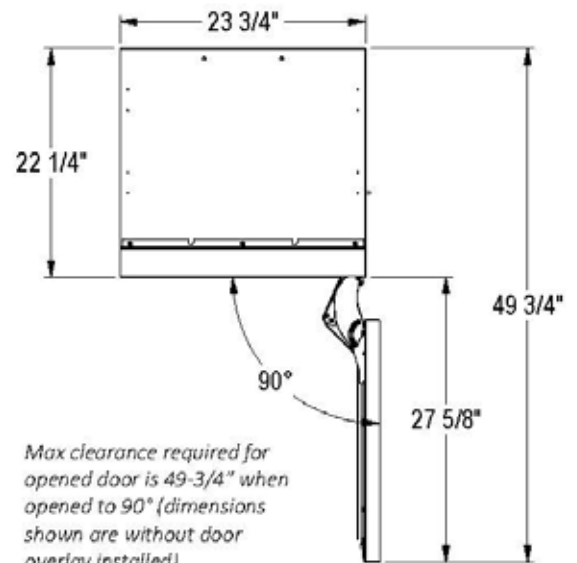


## PRODUCT SPECIFICATIONS

Appliance Dimensions	Exterior Width	23-3/4"
	Exterior Depth	24"*
	Exterior Height	83-11/16"
Required Cutout Dimensions	Cutout Width	24"
	Cutout Depth	25"
	Cutout Height	84"
Depth with Door Open	49-3/4" (less door overlay installed)	
Product Weight	541 lbs	
Capacity	12.2 cu. ft.	

## AVAILABLE MODELS

CR24D-1-4L	Dual-zone wine, glass overlay ready, hinged left
CR24D-1-4R	Dual-zone wine, glass overlay ready, hinged right

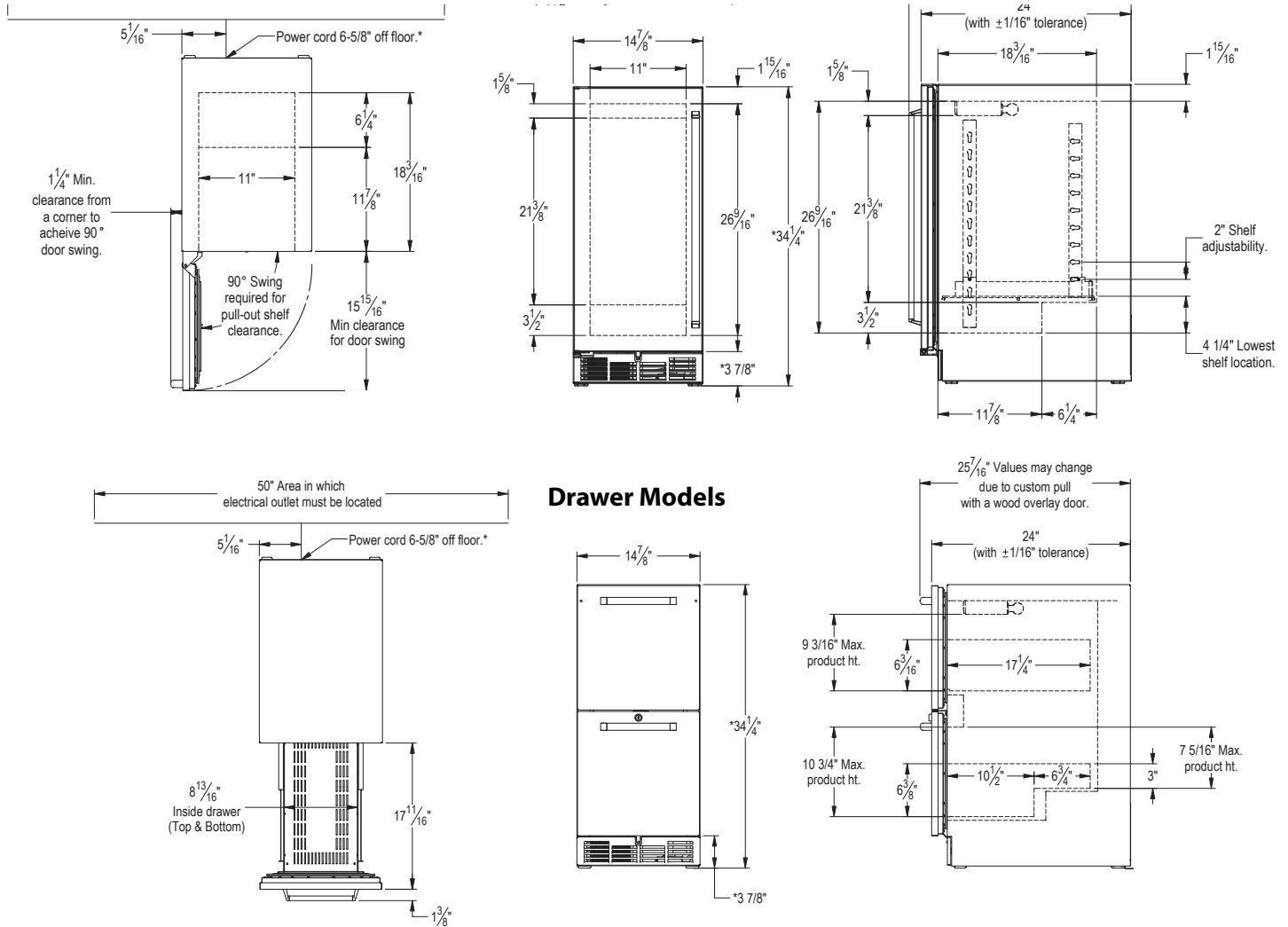


Max clearance required for opened door is 49-3/4" when opened to 90° (dimensions shown are without door overlay installed)

(please note that door opens to 105°)



# 15" SIGNATURE SERIES SPECIFICATIONS

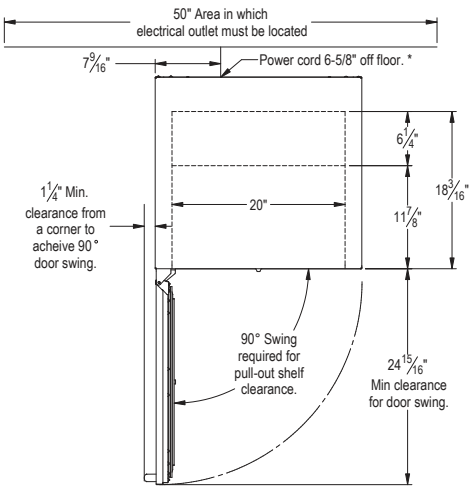


\* -Leg leveler can add 3/4" to these dimensions when fully extended

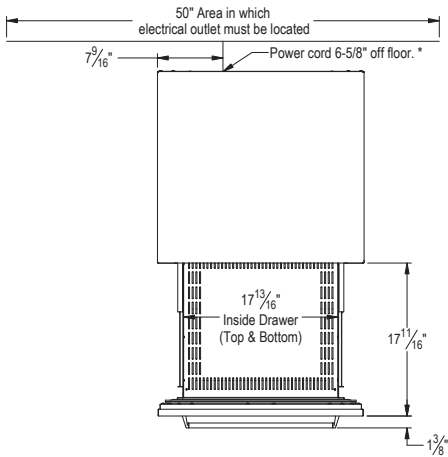
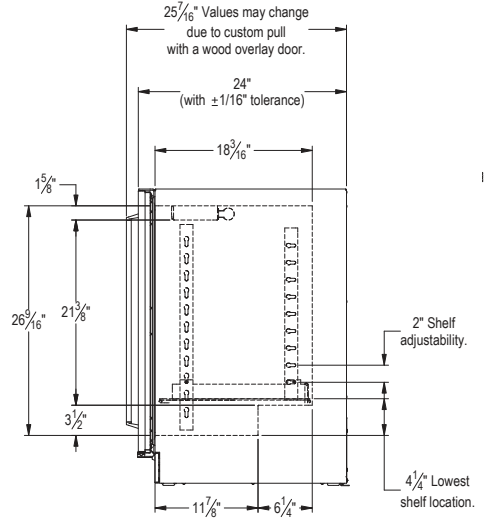
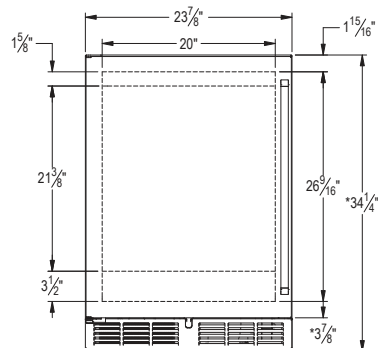
For complete specifications, including drawings of the 15" Beer Dispenser, visit [perlick.com](http://perlick.com).

<b>Overall Width</b>	14-7/8" (37.78 cm)
<b>Overall Height</b>	34-1/4" (86.96 cm)
<b>Overall Depth</b>	24" (60.96 cm)
<b>Capacity</b>	3.0 cu. ft.
<b>Minimum Height Required</b>	34-3/8" (87.31 cm)
<b>Electrical</b>	115V, 60Hz, 1 Phase AC, 2.3 amps
<b>Plumbing</b>	none required

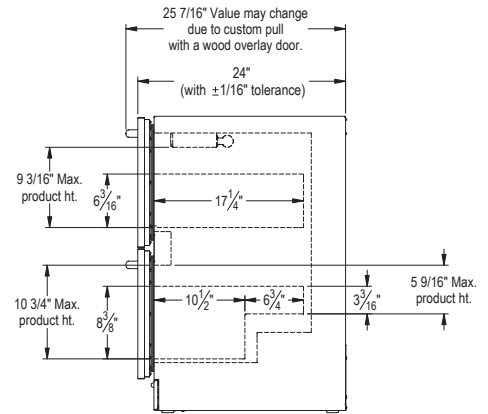
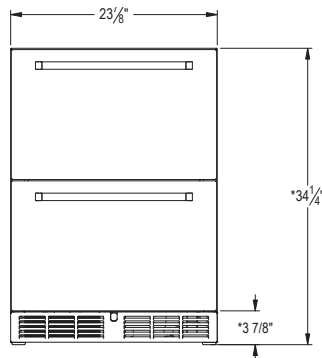
# 24" SIGNATURE SERIES SPECIFICATIONS



## Door Models



## Drawer Models



\* -Leg leveler can add 3/4" to these dimensions when fully extended

For complete specifications, including drawings of the 24" Beer Dispenser, visit [perlick.com](http://perlick.com).

**Overall Width** 23-7/8" (60.64 cm)

**Overall Height** 34-1/4" (86.96 cm)

**Overall Depth** 24" (60.96 cm)

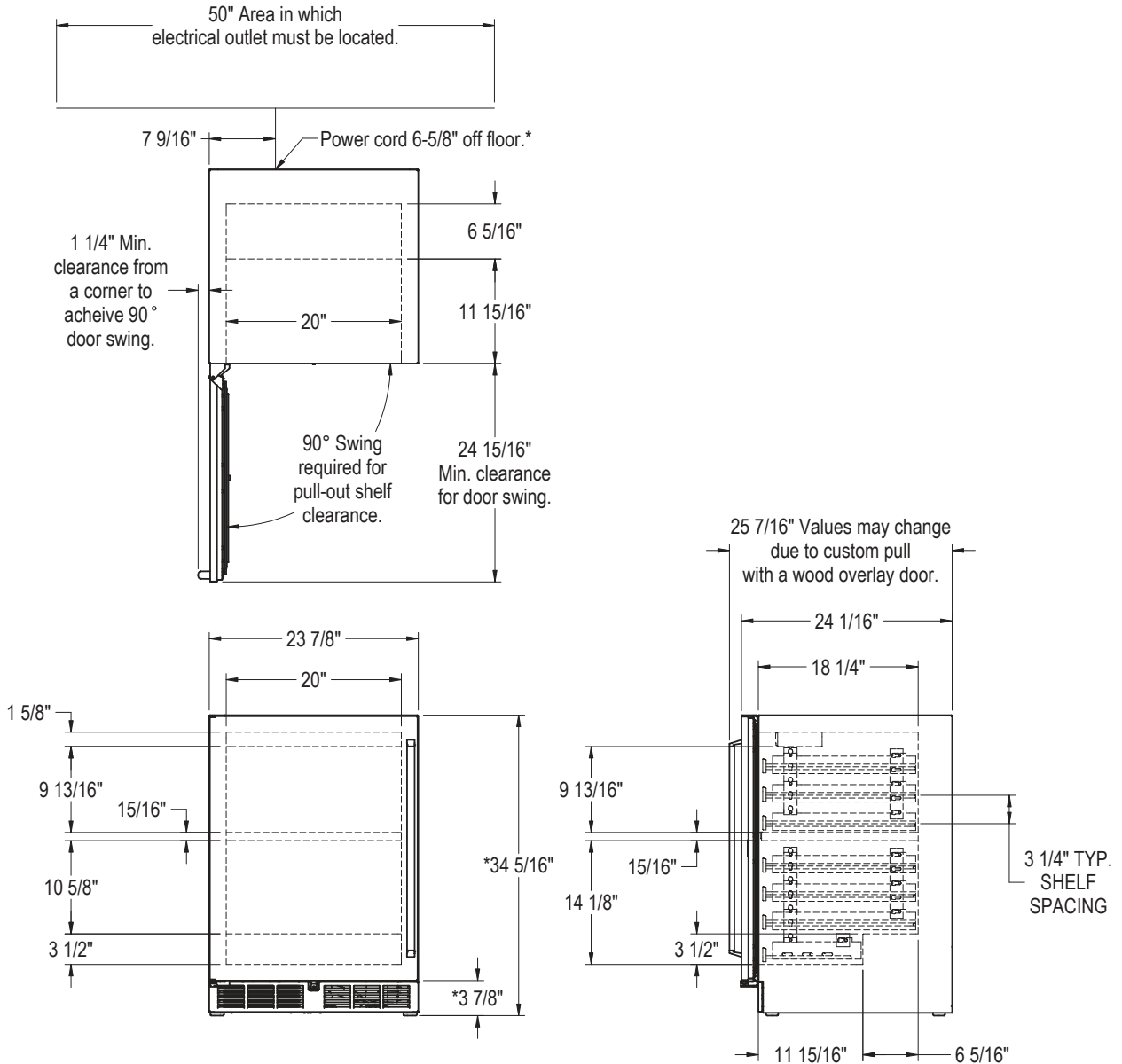
**Capacity** 5.2 cu. ft.

**Minimum Height Required** 34-3/8" (87.31 cm)

**Electrical** 115V, 60Hz, 1 Phase AC, 2.3 amps

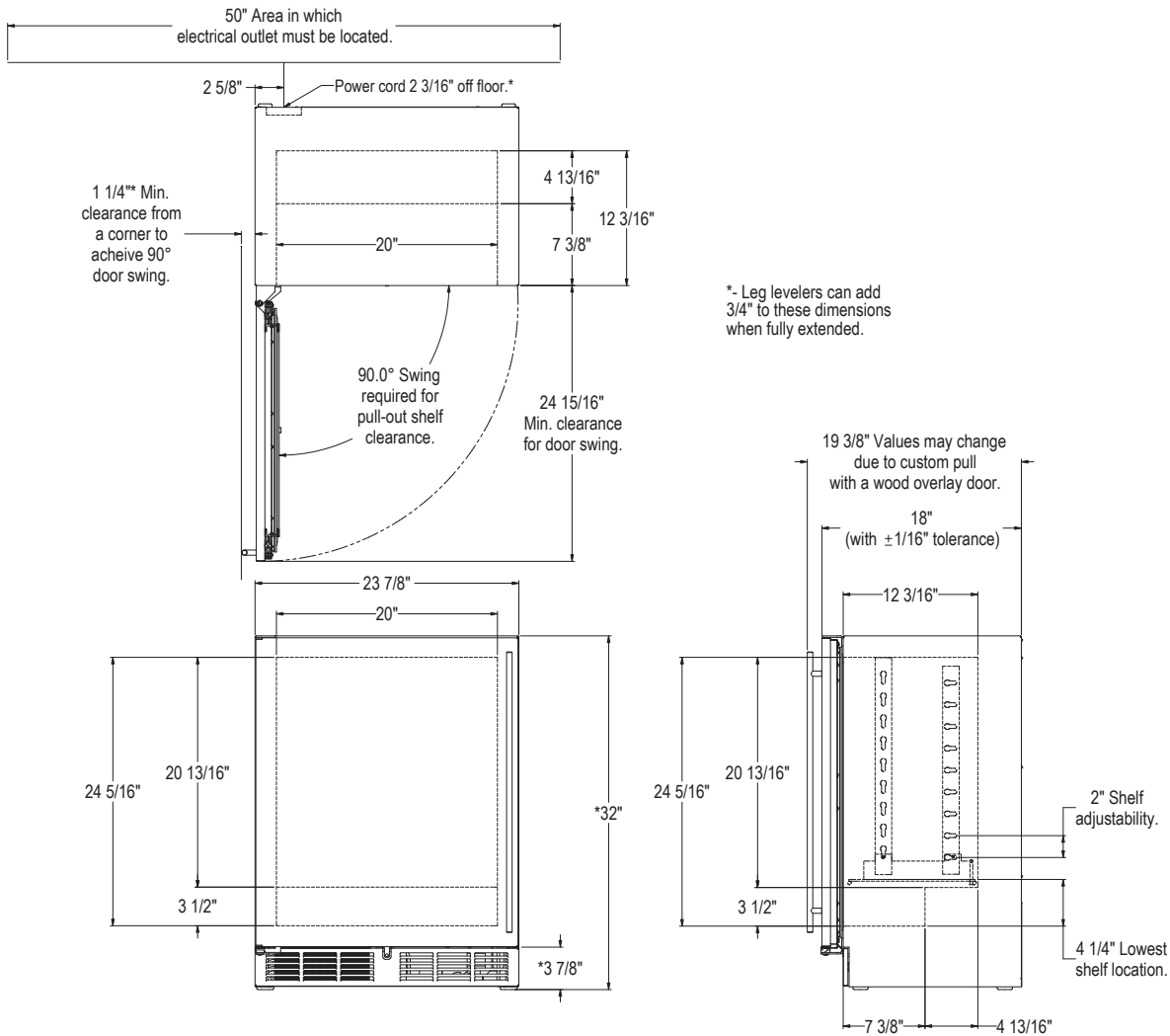
**Plumbing** none required

# 24" SIGNATURE SERIES DUAL ZONE WINE RESERVE SPECIFICATIONS



<b>Overall Width</b>	23-7/8" (60.64 cm)
<b>Overall Height</b>	34-1/4" (86.96 cm)
<b>Overall Depth</b>	24" (60.96 cm)
<b>Capacity</b>	5.0 cu. ft.
<b>Minimum Height Required</b>	34-3/8" (87.31 cm)
<b>Electrical</b>	115V, 60Hz, 1 Phase AC, 2.3 amps
<b>Plumbing</b>	none required

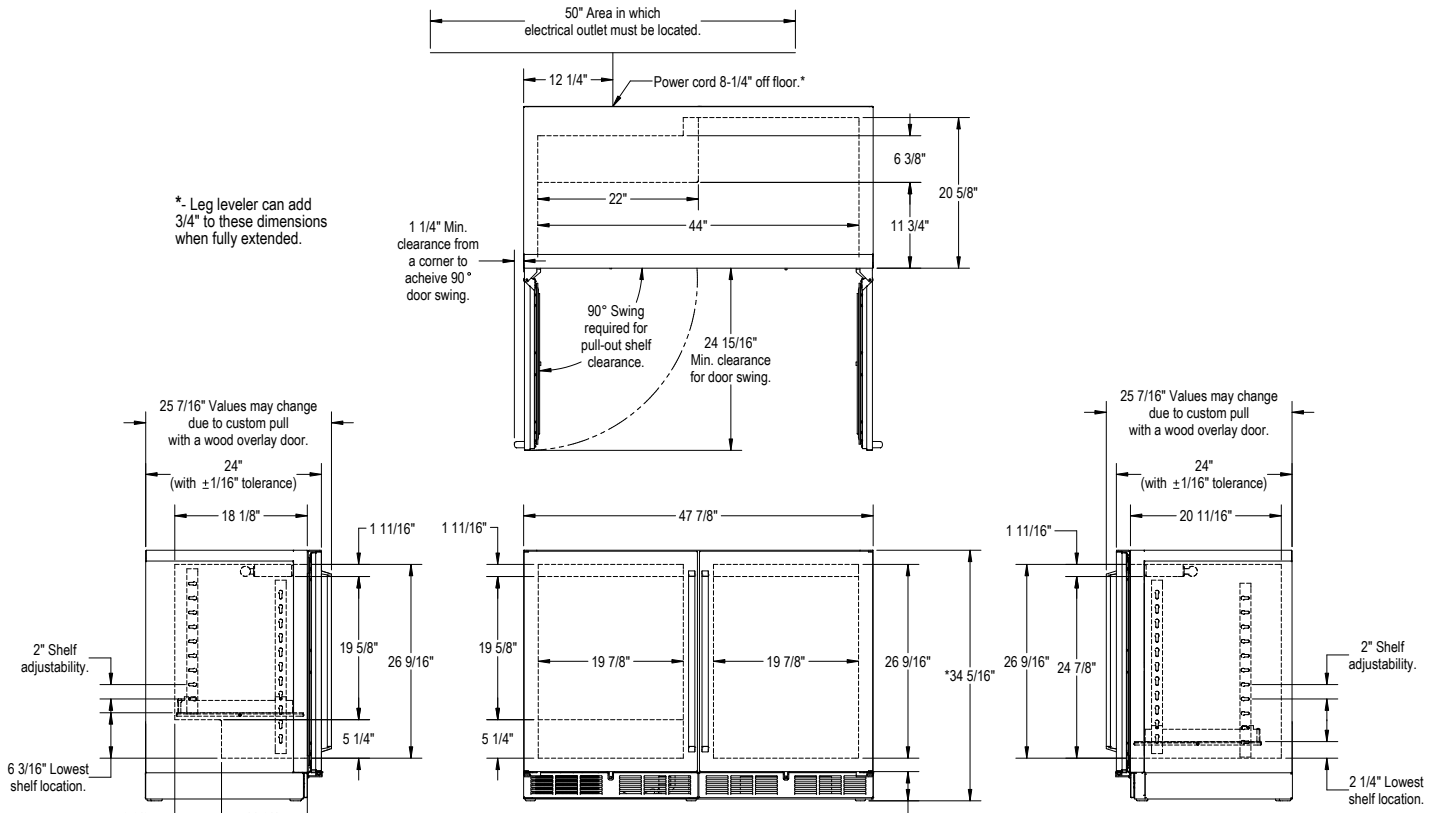
# 24" SOTTILE (18" Depth) SERIES SPECIFICATIONS



<b>Overall Width</b>	23-7/8" (60.64 cm)
<b>Overall Height</b>	32" (81.28 cm)
<b>Overall Depth</b>	18" (45.72 cm)
<b>Capacity</b>	3.1 cu. ft.
<b>Minimum Height Required</b>	32-1/8" (87.31 cm)
<b>Electrical</b>	115V, 60Hz, 1 Phase AC, 2.3 amps
<b>Plumbing</b>	none required



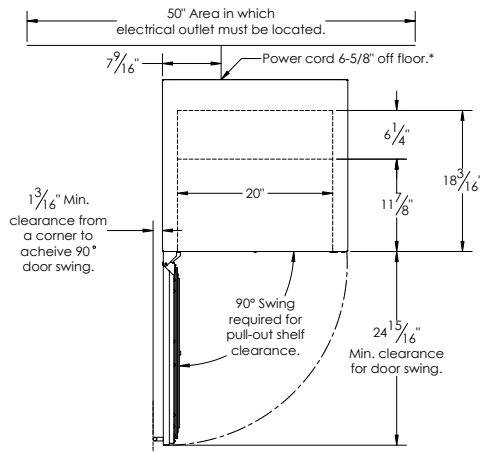
# 48" SIGNATURE SERIES SPECIFICATIONS



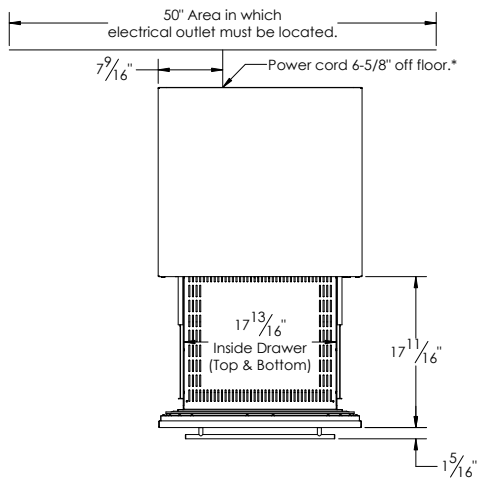
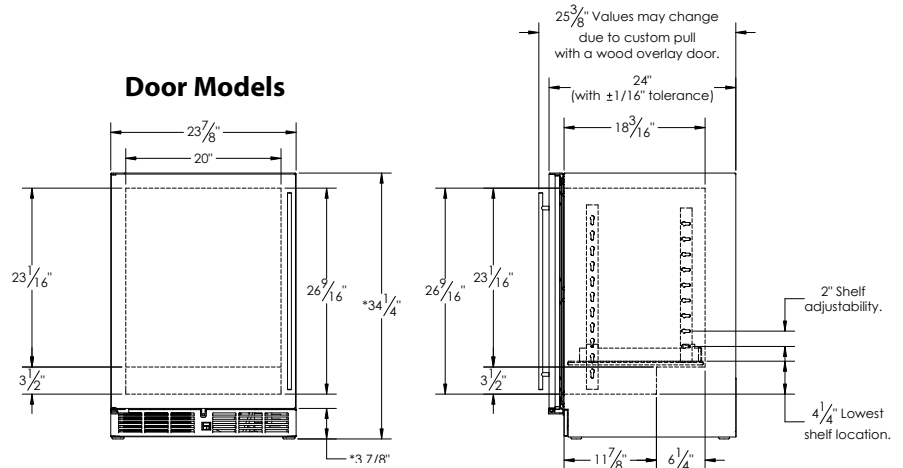
For complete specifications visit [perlick.com](http://perlick.com)

<b>Overall Width</b>	47-7/8" (121.60 cm)
<b>Overall Height</b>	34-1/4" (86.96 cm)
<b>Overall Depth</b>	24" (60.96 cm)
<b>Capacity</b>	11.0-12.0 cu. ft.
<b>Minimum Height Required</b>	34-3/8" (87.31 cm)
<b>Electrical</b>	115V, 60Hz, 1 Phase AC, 2.3 amps
<b>Plumbing</b>	none required

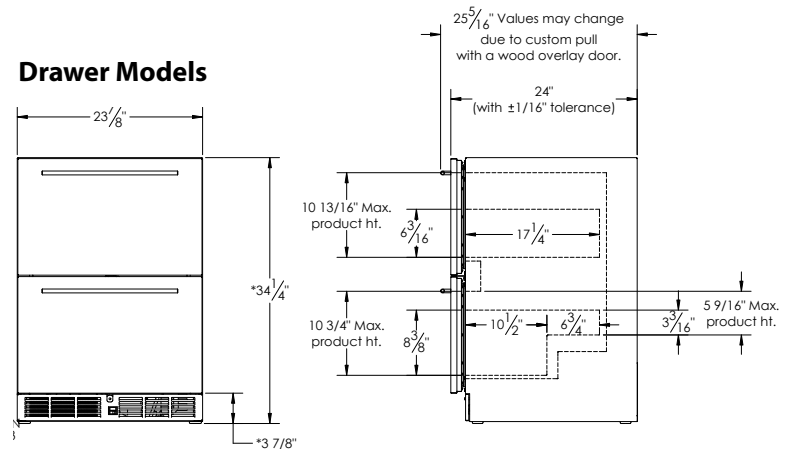
# 24" C-SERIES SPECIFICATIONS



## Door Models



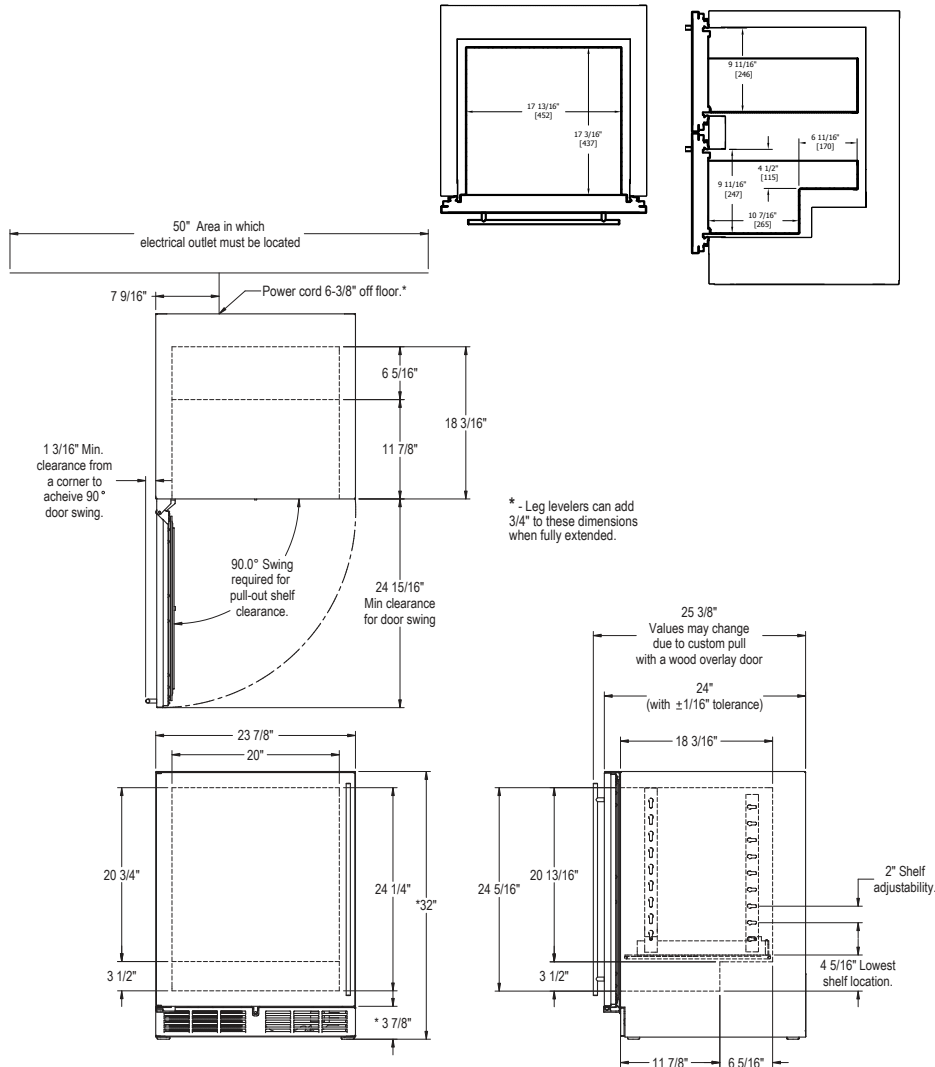
## Drawer Models



<b>Overall Width</b>	23-7/8" (60.64 cm)
<b>Overall Height</b>	34-1/4" (86.96 cm)
<b>Overall Depth</b>	24" (60.96 cm)
<b>Capacity</b>	5.3 cu. ft.
<b>Minimum Height Required</b>	34-3/8" (87.31 cm)
<b>Electrical</b>	115V, 60Hz, 1 Phase AC, 2.3 amps
<b>Plumbing</b>	none required

# 24" ADA-COMPLIANT SERIES SPECIFICATIONS

Drawer Models



**Overall Width** 23-7/8" (60.64 cm)

**Overall Height** 32" (81.28 cm)

**Overall Depth** 24" (60.96 cm)

**Capacity** 4.8 cu. ft.

**Minimum Height Required** 32-1/8" (81.60 cm)

**Electrical** 115V, 60Hz, 1 Phase AC, 2.3 amps

**Plumbing** none required

# FREQUENTLY ASKED QUESTIONS

## VARIABLE SPEED COMPRESSOR:

### Q: What is a variable speed compressor (variable capacity compressor or VCC)?

**A:** Located in the back of most refrigerators, the compressor is the heart of refrigeration. The standard compressor circulates cool air on a set cycle, refrigerating and preserving your food and drinks. When Perlick began specifying components for the luxury home product line, no compromises were made in the design of the refrigeration systems. Instead of a standard compressor, Perlick chose a compressor with variable speed technology - unlike all other compressors, the variable speed compressor cycles only when necessary to maintain the temperature of the products inside the cabinet. Perlick is the only company to use a variable speed compressor manufactured by the most technologically advanced manufacturer of compressors in the world.

To view a demonstration of a variable speed compressor (VCC) technology in action, go to:  
<https://www.perlick.com/residential-products/service-support/variable-speed-compressor/>

### Q: How does the variable speed compressor (variable capacity compressor or VCC) work?

**A:** Unlike standard compressors that run on a set cycle (either at full speed, around 3,500 RPM or completely off), the variable speed compressor operates at multiple speeds (1,500 RPM to 4,100 RPM) at different times depending on what is occurring in the cabinet. This saves energy and prolongs the life of the compressor. When placing a warm product into the cabinet, the compressor senses the change in temperature and immediately runs full speed (4,100 RPM) for rapid cool down. As the temperature of the cabinet drops, the variable speed compressor will adjust its speed and allow the rpm's to drop as well. Because the compressor can sense the temperature of the compartment, Perlick is able to maintain incredible control of the temperature inside the cabinet (freezers maintain +/- 5 degrees, refrigerators maintain +/- 3 degrees, and wine +/- 1 degree of set temperature). Thermal mass testing has proven that contents stored inside the compartment will not vary in temperature; therefore extending storage life of the contents.

### Q: What are some unique features of the variable speed compressor (variable capacity compressor)?

- A:**
- The variable speed compressor is exclusive to Perlick - meaning that no other company uses such technologically advanced compressors for its undercounter refrigeration.
  - Perlick's ability to be the only company to offer undercounter refrigeration in 48" cabinets is a result of the variable speed compressor and patent-pending convection cooling technology.
  - As a result of the variable speed compressor, Perlick is the world's first company to properly store food and beverages in glass door refrigerators.
  - Because Perlick's variable speed compressor does not function on a set cycle, the temperature inside the cabinet (and the temperature of the products stored) never fluctuates more than +/- two degrees of the set temperature.
  - Perlick's patent-pending convection cooling helps to evenly distribute cool air produced by the variable speed compressor, thus requiring only one compressor for all Perlick (24" and 48") cabinets - this exclusive feature makes all Perlick cabinets more energy efficient than most companies' 24-inch units.
  - While maintaining energy star ratings, Perlick's variable speed compressor generates 995 - 1985 BTU - substantially more than any competitor.

## OUTDOOR FOOD STORAGE

### Q: Are Perlick Outdoor products safe for food storage?

**A:** Yes, the refrigerator is rated for both food and beverage storage (only the refrigerator and freezer models).

## BTU OUTPUT

### Q: How does the BTU output of Perlick's undercounter refrigeration and beverage dispensing products compare to other companies' products?

**A:** As a result of Perlick's exclusive use of the variable speed compressor, along with patent pending convection cooling technology in every cabinet Perlick produces, Perlick is the only company in the industry with products that generate between 995 - 1985 BTU. (A BTU is a British Thermal Unit and is a measurement of a compressor's ability to cool a compartment). Perlick is also the only company in the industry to generate 995 - 1985 BTU while using the least amount of energy.



## VINYL COATED FULL-EXTENSION SHELVING

### Q: What are the benefits of Perlick's vinyl coated full-extension shelving?

**A:** Applying 100 years of experience in the commercial industry, Perlick has employed important features to its vinyl coated full-extension shelving creating the most user friendly shelving in the industry.

- Vinyl coated full-extension shelving is an industry exclusive, Perlick is the only company to offer innovative full-extension shelving that actually extends completely out of the refrigerator or wine cabinet.
- Guard rails are a part of the vinyl coated full-extension shelving, preventing products from dropping off of the back or off of the sides of the shelves.
- Each durable, commercial-grade quality, vinyl coated full-extension shelf can hold up to 75 pounds; each smooth gliding shelf holds up to seven (7) six-packs.
- The shelving is vinyl coated to prevent contents from shifting/sliding on the shelves (preventing spills in the refrigerator and no vibration in the wine cabinet).
- The convenient full-extension design allows the user to easily reach products stored in the back of the compartment for even greater convenience, the homeowner can also adjust the height of the shelves.
- Unlike other companies, Perlick's vinyl coated full-extension shelving functions with stainless steel ball bearings to maximize smoothness when the shelves are extended.

## WINE STORAGE

### Q: What are the benefits of Perlick's wine storage?

- A:**
- Perlick is the only company to use a variable speed compressor along with patent-pending convection cooling technology. As a result, when placing room temperature wine into the cabinet, the temperature inside the compartment never fluctuates more than +/- two degrees. This not only cools the wine placed into the cabinet quickly, but it also ensures that the temperatures of the other wines stored in the cabinet remain the same - this is crucial in ensuring longevity and proper storage of the wine.
  - Because Perlick offers undercounter wine storage in 24" and 48" cabinets; Perlick can offer proper "multi-zone" storage for wine in up to two different climate zones. For example: With the 48" Wine Cabinet, it would be possible to store up to 80 bottles in two different zones; the first zone could store sparkling wine and champagne and the second zone could store white varietals. In addition, each zone has its own LED screen so the consumer can adjust the temperature of each zone to their specific preference.
  - Perlick wine storage also features vinyl-coated full extension shelving allowing for easy access to the wine while preventing vibration or movement of the wine. Again, ensuring longevity and proper storage of the wine.
  - As a result of the pure power Perlick's wine cabinets boast, 995 - 1,985 BTU, Perlick is the only company in the industry to allow for outdoor wine storage with a glass door.

## COMMERCIAL-GRADE STAINLESS STEEL INTERIORS

### Q: Why does Perlick use only commercial-grade stainless steel interiors in its luxury undercounter home product line?

**A:** Perlick, unlike any other company, uses only commercial-grade stainless steel for the interiors of its cabinets – another exclusive feature creating the most attractive and functional undercounter refrigeration in the industry.

- Perlick is the only company to offer commercial-grade stainless steel interiors as a standard feature in all of its undercounter products, so Perlick's commercial-grade stainless steel interiors are another industry exclusive.
- The commercial-grade stainless steel interiors are designed with professional use in mind; thus, creating undercounter cabinets with the same quality as those found in the most respected bars, resorts and restaurants in the world.
- Perlick's commercial-grade stainless steel interiors are not only aesthetically pleasing, but help the cabinet function as well. Stainless steel is a natural energy conductor, so it helps maintain consistent temperatures within each compartment of the cabinets while conserving energy.
- Perlick's commercial-grade stainless steel interiors feature superior craftsmanship, are extremely durable, and they are very easy to clean - keeping the cabinets looking like new!

# PERLICK LIMITED WARRANTY

Your Perlick product is built to last. That is why it's backed by one of the most rigorous warranties in the industry. All parts and labor are covered for three years; all parts of the sealed refrigeration system are covered for six years. And, in the unlikely event your Perlick product needs service, know that our trained technicians are standing by to give you the professional attention you need (in fact, they are the same experts that service our commercial-grade products as well).

## FOR SERVICE OR TECHNICAL QUESTIONS:

Call 800-558-5592. The Perlick Service Department is available Monday through Friday, 8:00 a.m. - 4:30 p.m. CST. If service is needed, Perlick will schedule the service call.

## THE BASIC WARRANTY PERIOD IS AS FOLLOWS:

- For a new product or a floor display model sold within three (3) years of being put on the floor, in each case other than the Cubelet and Clear Ice Maker: The three (3) year period commencing on the date of purchase by the original retail purchaser, except that the Basic Warranty Period will be the two (2) year period commencing on the date of purchase by the original retail purchaser if the purchase of the product is not registered with Perlick within ninety (90) days of purchase in the manner described below.
- For the Cubelet and Clear Ice Maker, a floor display model (other than of the Cubelet and Clear Ice Maker) sold more than three (3) years but less than six years after being put on the floor or a factory second (B-Stock) product: The Two (2) year period commencing on the date of purchase by the original retail purchaser.
- For a floor display model of the H50IM Clear Ice Maker sold more than three (3) years but less than six years after being put on the floor: The ninety (90) day period commencing on the date of purchase by the original retail purchaser.

The Extended Warranty Period applies only to the hermetically sealed refrigeration system contained in Perlick's undercounter and upright refrigerators. For undercounter refrigerators, the Extended Warranty Period is the portion of the six (6) year period commencing on the date of purchase by the original retail purchaser that is not covered by the Basic Warranty Period. For upright refrigerators, the Extended Warranty Period is the portion of the twelve (12) year period commencing on the date of purchase by the original retail purchaser that is not covered by the Basic Warranty Period.

For a floor display model sold six years or more after being put on the floor, there is no warranty and such product is sold on an "as is" basis.

## TERMS:

The Perlick Warranty applies to products installed in the fifty United States, the District of Columbia or the ten provinces of Canada. Product must be registered within 90 days of purchase to receive the Full Three Year Warranty. Without registration, you will receive the standard Full Two Year Warranty with the additional Third through Sixth Year Limited Parts Only Warranty.

All service provided by Perlick Corporation under the above warranty must be performed by authorized Perlick service representatives, unless otherwise specified by Perlick.

Service will be provided in the home during normal business hours.

This warranty applies only to products installed for normal residential use; it does not include adjusting the controls, door reversal, light bulb or cleaning the condenser.

This warranty is extended only to the original purchaser of the Perlick product.

The above warranty does not apply if:

- Failure of product was due to transportation
- Product was: improperly installed, misused, abused, operating with low voltage, wiring not conforming to electrical codes, improperly maintained or modified.
- The original Bill of Sale, delivery date or serial number cannot be verified.
- Defective parts are not returned for inspection if so required by the Perlick Corporation.

To receive parts and or service and the name of the nearest Perlick authorized service representative, contact your Perlick dealer, distributor or Perlick Corporation's Technical Service Department; 8300 West Good Hope Road, Milwaukee Wisconsin, 53223; call 800 558-5592 or E-mail us at [warranty@perlick.com](mailto:warranty@perlick.com), or visit our Web site: [www.perlick.com](http://www.perlick.com)

This limited warranty is in lieu of any other warranty, expressed or implied, including, but not limited to any implied warranty of merchantability or fitness for a particular purpose; provided however, that to the extent required by law, implied warranties are included but do not extend beyond the duration of the express warranty first set above. Perlick's sole liability and your exclusive remedy under this warranty are set forth in the initial paragraph above. Perlick Corporation shall have no liability whatsoever for any incidental, consequential or special damages arising from the sale, use or installation of the product or from any other causes whatsoever, whether based on warranty (expressed or implied) or otherwise based on contract, tort or any other theory of liability.

Some states do not allow limitations on how long an implied warranty lasts or the exclusion or limitation of incidental or consequential damages, so the above limitations may not apply to you. This warranty gives you specific legal rights, and you may also have other rights, which vary, from state to state.

## PINNACLE EXPRESS, INC. TERMS AND CONDITIONS OF SALE

**Orders:** All orders and any subsequent change orders must be submitted in writing and delivered to Pinnacle Express, Inc. by mail, fax or e-mail. No telephone orders will be accepted. Special Order items are Non-Cancellable.

**Prices:** All prices are subject to change without notice and are exclusive of any sales or use taxes, shipping, delivery, special packaging, or handling charges that may apply to each customer or to each order.

**Minimum Advertised Pricing:** All sales are subject to Pinnacle Express, Inc. or Manufacturer minimum advertised prices. Failure to comply with minimum advertised prices will result in cancellation of any agreement and violators will not be entitled to purchase further products.

**Minimum Sale Price:** All sales are subject to Pinnacle Express, Inc. or Manufacturer minimum sale prices. Failure to comply with minimum sale prices will result in cancellation of any agreement and violators will not be entitled to purchase further products.

**Freight and Handling:** Pinnacle Express, Inc. reserves the right to ship products by its choice of carrier. All shipments are F.O.B. from place of shipment, and risk of loss shall pass to the Buyer upon delivery to the carrier at the point of shipment. Additional charges may apply for special handling and packaging.

**Deliveries:** Pinnacle Express, Inc. shall not be liable for failure to deliver or for delays in delivery or performance due to: (1) causes beyond its reasonable control; (2) acts of God, acts of Buyer, acts of civil or military authority, governmental allocations or controls, fires, strikes or other labor difficulties, riots or other civil disturbances, delays in its usual source of supply, delays in transportation; (3) any other commercial impracticability. In the event of such delay, the date of delivery or performance shall be extended for a period equal to the time lost by reason of the delay.

**Claims:** All claims for non-conforming delivery of Products must be made within twelve (12) days of receipt of shipment.

**Damage or Loss:** Any claim for damage or loss in shipment should be made to the carrier immediately by the customer. Products become the responsibility of the Buyer when accepted by the carrier in good condition from Pinnacle Express, Inc. and we are not able to process shipping damage claims.

**Returns:** Only Items marked in this Price List as "Stock Item" are subject to return. All other items are considered Special Order Items and are NOT RETURNABLE. No Products may be returned without a Pinnacle Express, Inc. Return Goods Authorization (RGA) Number issued prior to the return of Product. Any product returned without an RGA will be refused and returned to the sender. RGA's are valid for thirty (30) days only. All returns are subject to inspection before being approved for credit - products must be in salable condition to be considered for return or replacement. A 20% restocking charge will apply to all returns.

**Payment:** Unless otherwise noted, payment terms are Net Due on Receipt. Balances owed on invoices over 30 days old are subject to a 1.5% per month charge. Each shipment or delivery shall be deemed to have been sold under a separate and or independent contract and payment thereof shall be made in accordance with the terms of this agreement and of the invoice rendered by Pinnacle Express, Inc. Buyer agrees that title to the personal property described herein shall not vest in Buyer until paid in full. In the event of insolvency or the filing of bankruptcy by the Buyer, Buyer agrees to return all merchandise to Pinnacle Express, Inc.

**Warranties:** Products distributed by Pinnacle Express, Inc. are the products of reputable manufacturers sold under their respective brand or trade names. Pinnacle Express, Inc. shall use its best efforts to obtain from each manufacturer, in accordance with the manufacturer's warranty or customary practice, the repair or replacement of products that may prove defective in material or workmanship. The foregoing shall constitute the exclusive remedy of the Buyer and the sole obligation of Pinnacle Express, Inc. Except as to Title, THERE ARE NO WARRANTIES, EITHER WRITTEN, ORAL, IMPLIED, OR STATUTORY relating to the described products which shall extend beyond that described in this paragraph. NO WARRANTY OF MERCHANTABILITY OR OF FITNESS FOR PURPOSE SHALL APPLY.

**Limitation of Liability:** Pinnacle Express, Inc.'s liability on any claims for loss or damage arising out of this contract or from the performance or breach thereof or connected with the supplying of products hereunder, or its sale, resale, operation or use, whether based on warranty, contract, negligence or other grounds shall not exceed the price allowable for such products or parts thereof involved in the claim. Pinnacle Express, Inc. shall not, under any circumstances, be liable for any labor charges unless agreed upon in advance and in writing by Pinnacle Express, Inc. and the manufacturer of the products involved.

Pinnacle Express, Inc. shall not in any event be liable for special or consequential damages, including, but not limited to, loss of profits or revenue, loss of use of the product or any associated product, cost of capital, cost of substitute products, facilities or services, downtime costs, or claims of customers of the Buyer for such damages.

**General:** The possession of this Price List by anyone is not to be considered as an offer to sell any of the Products contained herein. This Price List supercedes all previous price lists or memorandums. Pinnacle Express, Inc.'s existing Trade Terms and Conditions remain in effect. The above Terms and Conditions shall be a part of all Orders accepted by Pinnacle Express, Inc. and shall supercede any conflicting provisions of our customer's purchase orders. These terms and conditions are subject to change without notice.



**Pinnacle Express, Inc.**

P.O. Box 1836 • Dundee, FL 33838

Phone: 800-292-8374

Fax: 800-574-8805

[www.pinnacleexpress.com](http://www.pinnacleexpress.com)