

ROHL®








2020 PRICE BOOK

A DISTINCTIVE MEMBER OF THE HOUSE OF ROHL

ROHL

AUTHENTIC LUXURY

At ROHL®, we search the world for the incomparable, seeking designs touched by hand or forged through new techniques, rooted in the past or looking toward the future. What results from our pursuit are products with refined sensibility and unique provenance to elevate kitchen and bath faucets and fixtures to authentic luxury. The elusive is now within reach.

 @HouseofRohl  @houseofrohl  @HouseofRohl  @House of Rohl  @House of Rohl

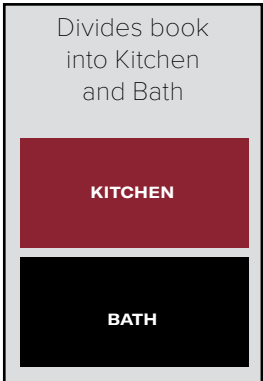


QUICK REFERENCE INDEX AND TAB GUIDE

Bank 1	Bank 2	Bank 3	Bank 4	COLLECTION
2020 UPDATES Pg. A3	1983 Pg. 23	ACQUI Pg. 141	SAN GIOVANNI Pg. 293	COLLECTION
INDEX Pg. B1	ACQUI Pg. 31	ARCANA Pg. 161	SORIANO Pg. 305	COLLECTION
ALLIA SINKS Pg. 1	CAMPO Pg. 41	BELLIA Pg. 175	VERONA Pg. 311	COLLECTION
SINKS	CINQUANTA Pg. 49	CAMPO Pg. 187	VIAGGIO Pg. 323	COLLECTION
	GOTHAM Pg. 59	ECLISSI Pg. 199	VINCENT Pg. 341	COLLECTION
	GRACELINE Pg. 67	GRACELINE Pg. 211	WAVE Pg. 353	COLLECTION
	LOMBARDIA Pg. 75	LOMBARDIA Pg. 225	ROUGHS Pg. 366	COLLECTION
	LUX Pg. 83	MEDA Pg. 239	SHOWER Pg. 371	COLLECTION
	PATRIZIA Pg. 93	MISCELO Pg. 253	CARE & MAINTENANCE Pg. 416	COLLECTION
	PIRELLONE Pg. 103	PALLADIAN Pg. 263	TERMS Pg. 420	COLLECTION
	QUARTILE Pg. 113	QUARTLE Pg. 277		COLLECTION
	SAN JULIO Pg. 121			COLLECTION
	TUARIO Pg. 131			COLLECTION
	KITCHEN	BATH		

Collections are listed alphabetically.

Collection Name



KITCHEN/BATH

2020 UPDATES

The following pages review new products and features included in the 2020 ROHL® Price Book, as well as discontinued products. Please note that all chapters have been reorganized to reflect alphabetical order.

GLOBAL

The Sanitary Ware/Bath Fixtures Section is only located in the Perrin & Rowe® and Shaws® Price Books.

KITCHEN

NEW COLLECTION TUARIO™

Available:
Summer 2020



Available finishes



Handle Option



Available: Summer 2020

NEW KITCHEN

ALLIA APRON FRONT KITCHEN SINKS



AL3220AF1



AL3620AF1



WSGAL3220



WSGAL3620

LUX



R7519



R7520



R7521

Now available in APC, PN, STN and MB finishes

GRACELINE



MB7930 and MB7930S are now available in Black & Gold split finish

DISCONTINUED KITCHEN

ALLIA KITCHEN SINKS



6339



WSG6327LG



WSG6327SM



6737

STAINLESS STEEL SINKS



8644/102

LUX



R7517 and RKIT7517

IB and SG finishes are discontinued

CINQUANTA



Rose Gold finish is discontinued for all faucets

PIRELLONE



LS59L

BATH

NEW COLLECTION ECLISSI™

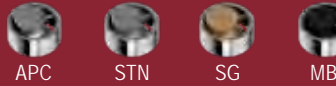


Available:
Summer 2020

Available finishes



Insert finishes



Handle options



Circular handle

NEW COLLECTION MISCELO™



Available:
Summer 2020

Available finishes



Laminate inserts



Handles



Metal Lever Metal Lever

DISCONTINUED BATH

All suggested shower package KITS have been discontinued and a new "Suggested Shower Option" section has been created.

ACQUI



A3671 A2700N

ARCANA



AY51 AC51

AC27



AC27

HEX

Entire Collection has been discontinued.
A1808LH has moved to PALLADIAN Collection.



SAN JULIO

San Julio products were transitioned into VIAGGIO Collection.
The SAN JULIO name is discontinued.

VERONA



Tuscan Brass finish
A2701 AKIT2701N A3770

VIAGGIO



Old Iron finish
A3402 A2700N

PALLADIAN



A7111M

GRACELINE

PEWTER (PW) finish has been renamed GUN METAL (GM)

ZEPHYR



Entire Collection has been discontinued.

LOMBARDIA



PCCR handle option

MEDA



LVKIT2113L A2700N DS1142502 C72KIT1

PIRELLONE



Entire Collection has been discontinued.

QUARTILE



ZZ9844902 CU27HB

WAVE



WA28NL

ROUGHS



R1085B0 AC27NBO

SHOWER

NEW



I00412



I00598



I00405



I00410



Matte Black (MB) finish is now available in the following products:



BI00701



WI0196



SLM02



SLM03



SLM05



SLM06

DISCONTINUED



1017/8



1072/8



1073/8



BI00037



WI0198



WI0120



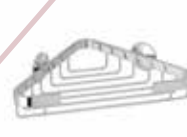
WI0121



BSK14



BSK15



BSK17



1249



1269



1361



1362



1363



1368



1281



1283



1284



C72KIT1



1220



1105/8



DS0140902



DS1142502



ZZ9844902



ZZ9007802

QUICK REFERENCE
KITCHEN SHOP BY STYLE



R7903
page 26



R77V3
page 26



R7514
page 26



A1458WS
page 34



A1420
page 34



A1679
page 35



A3608WS
page 36



3650WS
page 52



A3410
page 96



A3420
page 96



A1461WS
page 124

TRADITIONAL

1983

ACQUI

CINQUANTA

PATRIZIA

SAN JULIO

2020 UPDATES

INDEX

ALLIA

STAINLESS STEEL

KITCHEN SHOP BY STYLE

2020 UPDATES

INDEX

ALLIA

STAINLESS STEEL

CAMPO

GOTHAM

GRACELINE

TUARIO

TRANSITIONAL



A3431
page 44



A3358IWWS
page 44



MB7928
page 62



MB7930
page 70



TR55D1LB
page 134



TR56D1LB
page 135

QUICK REFERENCE
KITCHEN SHOP BY STYLE



A3430
page 78



R7923
page 86



R7515
page 86



R7581
page 87



R7520
page 87



R7521
page 87



LS57L
page A8



LS64
page 106



CY657L
page A8



CY57L
page A8



CU253L
page A8



CU57L
page A8

LOMBARDIA

LUX

MODERN

PIRELLONE

QUARTILE

2020 UPDATES

INDEX

ALLIA

STAINLESS STEEL

QUICK REFERENCE

KITCHEN SHOP BY PRICE

(Prices shown are for Polished Chrome)

TRADITIONAL



PATRIZIA
A3410
\$650



ACQUI
A1679
\$730



ACQUI
A1420
\$837



1983
R7514
\$916



PATRIZIA
A3420
\$944



1983
R77V3
\$955



ACQUI
A3608WS
\$975



1983
R7903
\$1,037



CINQUANTA
A3650/11WS
\$1,095



CINQUANTA
R3650WS
\$1,095



ACQUI
A1458WS
\$1,205



SAN JULIO
A1461WS
\$1,298

TRANSITIONAL

NEW



TUARIO
TR55D1LB
\$698

NEW



TUARIO
TR56D1LB
\$698



GRACELINE
MB7930
\$933



CAMPO
A3431
\$954



GOTHAM
MB7928
\$959



CAMPO
A3358IWWS
\$1,223

MODERN



QUARTILE
CU253L
\$601



PIRELLONE
CY57L
\$615



PIRELLONE
CY657L
\$660



QUARTILE
CU57L
\$774



LUX
R7520
\$798



LUX
R7515
\$893



LOMBARDIA
A3430
\$898



LUX
R7581
\$913



LUX
R7521
\$998



LUX
R7923
\$1,037



PIRELLONE
LS57L
\$1,661



PIRELLONE
LS64
\$2,158

QUICK REFERENCE BATH SHOP BY PRICE

(Prices shown are for Polished Chrome)



VERONA
A2707LM
\$440

ARCANA
AC102
\$549

VIAGGIO
A1408
\$558

ARCANA
AC107
\$722

ACQUI
A1409
\$769

VIAGGIO
A2108
\$769

TRADITIONAL



NEW
ECLISSI
EC08D3
\$678

SAN GIOVANNI
A2328
\$756

NEW
ECLISSI
EC09D3
\$778

CAMPO
A3318
\$818

GRACELINE
MB2019
\$852

NEW
MISCELO
MI09D3
\$878

TRANSITIONAL



LOMBARDIA
A1208
\$622

GRACELINE
MB2009
\$887

PALLADIAN
A1808
\$984

BELLIA
BE106
\$1,009

PALLADIAN
A1908
\$1,102

VINCENT
A1008
\$1,365

ALLIA



LOMBARDIA
A2208
\$769

LOMBARDIA
A2228
\$769

LOMBARDIA
A2218
\$773

MEDA
LV102
\$805

QUARTILE
CU102
\$848

MODERN



QUARTILE
CUC102
\$995

SORIANO
SOR-09
\$1,397

WAVE
WA102
\$1,573

2020 UPDATES

INDEX

ALLIA

STAINLESS STEEL

BATH SHOP BY STYLE

2020 UPDATES

INDEX

ALLIA

STAINLESS STEEL

ACQUI



A3672
page 145

A1409
page 144

A1419
page 144



A1418
page 144

A1405/44
page 144

A1423
page 144

A1477
page 145

ARCANA

TRADITIONAL



AC95
page 164

AC102
page 164

AC107
page 164

AC351
page 164

VERONA



A2707LM
page 314

VIAGGIO



A2108
page 326

A1408
page 326

QUICK REFERENCE
BATH SHOP BY STYLE

 BE51 page 178	 BE354 page 178	 BE106 page 178
 A3702 page 190	 A3318 page 190	 A3307 page 190
 NEW EC09D3 page 205	 NEW EC08D3 page 203	 NEW EC01D1 page 203
 NEW EC02D1 page 203	 NEW EC08W3 page 203	 NEW EC09W3 page 205
 MB2019 page 214	 MB2009 page 214	 MB2030/TC page 214
 NEW MI01D1 page 257	 NEW MI09D3 page 257	 NEW MI02D1 page 257
 A8800 page 266	 A1808 page 266	 A1980 page 266
 A2328 page 296	 A2307 page 296	
 A3002 page 344	 A1008 page 344	

TRANSITIONAL

BELLIA

CAMPO

ECLISSI

GRACELINE

MISCELO

PALLADIAN

SAN GIOVANNI

VINCENT

2020 UPDATES

INDEX

ALLIA

STAINLESS STEEL

ROHL® BATH COLLECTION BY STYLE

2020 UPDATES

INDEX

ALLIA

STAINLESS STEEL

LOMBARDIA

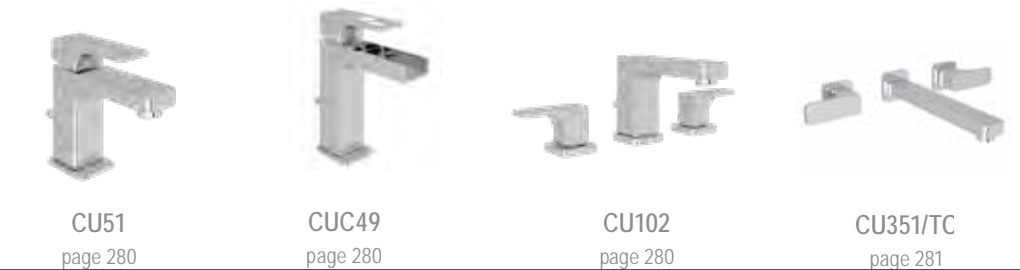


MEDA



QUARTILE

MODERN



SORIANO



WAVE



COLLECTIONS		APC (L)	PN (L)	STN (L)	FB (2)	IB (1)	MB (1)	GM (1)	RG (L)	SB (L)	SG (1)	SUB (2)	TCB (2)	STB (L)	SS (L)	ULB (2)	
KITCHEN	1983	●	●	●			●		●*						●*		
	ACQUI®	●	●	●		●							●			●	
	CAMPO™	●	●	●		●	●						●			●	
	CINQUANTA™	●	●	●		●							●			●	
	GOHAM™	●	●	●													
	GRACELINE®	●	●	●			●				●*						
	LOMBARDIA®	●	●	●		●	●						●			●	
	LUX™	●	●*	●			●*		●*						●*		
	PATRIZIA™	●	●	●		●	●							●		●	
	PIRELLONE™	●	●	●			●										
	QUARTILE™	●	●	●			●										
	SAN JULIO®	●	●	●		●								●			●
	TUARIO™	●	●	●			●					●					
BATH	ACQUI®	●	●	●		●							●			●*	
	ARCANA™	●	●	●		●							●				
	BELLIA™	●	●	●					●								
	CAMPO™	●	●	●			●					●*	●*			●*	
	ECLISSI™	●		●			●				●						
	GRACELINE®	●	●	●	●		●	●			●			●			
	LOMBARDIA®	●	●	●			●						●			●*	
	MEDA™	●	●	●													
	MISCELO™	●		●			●										
	PALLADIAN®	●	●	●		●						●	●*				
	QUARTILE™	●	●	●													
	SAN GIOVANNI™	●	●	●									●				
	SORIANO™	●							●								
	VERONA™	●	●	●		●							●				●
	VIAGGIO™	●	●	●		●							●				●*
	VINCENT™	●	●	●													
WAVE™	●		●														
		POLISHED CHROME	POLISHED NICKEL	SATIN NICKEL	FRENCH BRASS	ITALIAN BRASS	MATTE BLACK	GUN METAL	ROSE GOLD	BRUSHED STAINLESS STEEL	SATIN GOLD	SATIN UNLACQUERED BRASS	TUSCAN BRASS®	SATIN BRASS	STAINLESS STEEL	UNLACQUERED BRASS	

(L) = Limited Lifetime Warranty | (1) = 5 Year Limited Warranty
 (2) = No Express Warranty | * = Only Available on Select Product

Additional Notes: GRACELINE® Kitchen – Split Finish Available.
 ECLISSI® Bath – Split Finish Available.
 TUARIO™ Bath – Split Finish Available.
 MISCELO™ Bath – Split Finish Available.

QUICK REFERENCE PRODUCT LOCATOR

2020 UPDATES

INDEX

ALLIA

STAINLESS STEEL

PART #	PAGE	PART #	PAGE	PART #	PAGE
733	7, 21	1455/20	384	A1404	146
735	8, 21	1475/12	382	A1405/44	144
736	7, 21	1505/12	385	A1408	326
738	7, 21	1505/24	385	A1409	144
743	8, 22	1505/3	384	A1410	150, 330
744	8, 22	1505/6	385	A1418	144
1005N	368	1510/3	384	A1419	144
1027/8	372	1510/6	384	A1420	34
1037/8	372	1560	150, 270, 329	A1423	144
1047/8	376	1565	150, 270, 329	A1434	147
1070/8	372	1600	395	A1435	36, 53
1075/8	373	1628	395	A1445	39, 55, 99, 127
1079/8	376	1630	403	A1451	38, 55, 99, 127
1085/8	378	1630KIT1	405	A1454	326
1095/8	406	1630KIT2	405	A1456	34
1120	383	1650	392	A1456WS	34
1120/12	382	1660	404	A1458WS	34
1130E	386	1670/8	385	A1459	34
1150/8	388	1690	402	A1460	147, 326
1151/8	388	1795	402	A1461	124
1200	390	5445	145, 165, 190, 204, 214, 229, 243, 266, 281, 296, 357	A1461WS	124
1201	391			A1464	326
1210	393	5447	145, 165, 191, 204, 214, 230, 243, 267, 281, 296, 357	A1467	124
1230	391			A1470	35
1250	398	5927	4	A1477	145
1251	397	6307	4	A1479C	155, 334
1252	396	6337	6	A1480	154, 334
1260	397	6347	4	A1480C	156, 335
1261	398	6442	146, 165, 191, 204, 215, 230, 243, 267, 281, 297, 357	A1481	195, 301
1262	399			A1481C	155, 335
1265	397	6497	5	A1482	152, 332
1266	398	7444	146, 166, 191, 215, 230, 243, 267, 282, 297, 357	A1483C	155, 334
1267	399			A1484C	155, 335
1268	399	8100/303	20	A1484IW	194
1270	401	8151/000	21	A1484LI	300
1271	401	8159/101	20	A1485IW	195
1272E	400	8446	146, 166, 191, 204, 215, 230, 243, 267, 282, 297, 357	A1485LI	300
1273N	400			A1486C	155, 335
1277	397	8644/100	18	A1486IW	194
1278	398	8644/101	20	A1486LI	300
1279	399	16295	407	A1487	154, 333
1280	400	16295/79	408	A1487C	156, 336
1282	400	16880	407	A1488	154, 333
1295	401	24960	405	A1488C	156, 336
1300E	393	24995	406	A1489IW	194
1301E	394	33640	402	A1489LI	300
1310	394	A40/1	407	A1492C	156, 335
1311	394	A00045/175	407	A1492IW	195
1330	395	A1003	346	A1492LI	301
1340	396	A1004	344	A1493	154, 334
1366	401	A1008	344	A1635	26, 96, 125
1367	401	A1010	345	A1667	124
1410/16	383	A1017	345	A1676	124
1440/6	381	A1060	344	A1676WS	125
1440/8	382	A1208	228	A1679	35
1442/6	381	A1264	228	A1679WS	35
1455/12	382	A1401	148, 328	A1680	35

QUICK REFERENCE PRODUCT LOCATOR

PART #	PAGE	PART #	PAGE	PART #	PAGE
A1803	272	A3608	36	AC390	169
A1808	266, 273	A3608/11	36	AC720	169
A1901	269	A3608/11WS	36	ACKIT7383	167
A1904	268	A3608/6.5	35	AG600	30, 40, 47, 56, 65, 73, 82, 91, 100, 110, 120, 129, 139
A1908	266	A3608WS	36	AG700	30, 40, 47, 57, 65, 73, 82, 100, 111, 120, 129
A1910	270	A3650	52	AKIT1401N	148, 327
A1960	268	A3650/11	52	AKIT1435	37, 53
A2010N	346	A3650/11WS	53	AKIT1635	27, 96, 125
A2202	231	A3650/6.5	52	AKIT1901N	268
A2203	232, 259	A3650/6.5WS	52	AKIT2202N	231
A2203IW	193	A3650WS	52	AKIT2302N	298
A2207	229	A3672	145	AKIT3001N	344
A2208	228	A3702	190	AKIT3302N	192
A2210	193, 232	A4012	346	AKIT8073	300, 394
A2211	232	A4014	346	AKIT8074	394
A2214	228	A4064	346	AL3220AF1	5
A2218	229	A4212	233	AL3620AF1	6
A2224	229	A4214	232	AR00380	149, 167, 269, 329
A2228	228	A4264	233	ARB1410	315
A2260	231	A4464	194	ARB2410N	315
A2302	298	A4564	299	AS425	29, 39, 48, 56, 64, 72, 81, 90, 99, 110, 119, 128, 138
A2303	298	A4812	271	AS450	29, 39, 48, 56, 64, 72, 81, 91, 100, 110, 119, 128, 138
A2307	296	A4814	271	AS525	29, 40, 48, 56, 65, 73, 81, 91, 100, 110, 119, 128, 138
A2310	299	A4817	270	AS550	30, 40, 48, 56, 65, 73, 82, 91, 100, 110, 120, 129, 138
A2311	298	A4864	271	B00102	389
A2314	297	A4912TO	151, 194, 272, 330	B00151	387
A2328	296	A4914	150, 193, 271, 330	B00177	389
A2360	298	A4917	149, 329	B00188	388
A2410N	150, 330	A4923	299	B204	386
A2707	314	A4924TO	299	B240NHSO	387
A2711	314	A4964	151, 330	B240NSH	377
A2716	147, 327	A4964	151, 330	B0310	386
A2760	314	A6881	273	B0311	387
A2764	314	A6885	273	B0314	388
A2910N	271	A6886/18	272	B0315	387
A2912	315	A6886/24	272	B01168	388
A2914	315	A6886/30	272	BE24	179
A2964	315	A6892	273	BE26	178
A3001	345	A7022	345	BE51	178
A3002	344	A7104	147, 327	BE100	182
A3210N	193, 232	A7139	345	BE101	183
A3302	192	A7422	147, 327	BE102	183
A3307	190	A7922	268	BE106	178
A3310N	299	A8073	391	BE110	179
A3311	192	A8074	391	BE120	179
A3314	192	A8800	266	BE170	182, 402
A3318	190	AC7X	167	BE195	180
A3358ILWS	44	AC24	168	BE210N	180
A3358IWWS	44	AC26	164	BE303	181
A3360	193	AC55X	166	BE354	178
A3403	326	AC95	164	BE364	182, 403
A3410	96	AC102	164		
A3420	96	AC107	164		
A3420S	96	AC110	168		
A3430	78	AC195TO	169		
A3430S	78	AC210N	169		
A3431	44	AC262	165		
		AC351	164		

2020 UPDATES

INDEX

ALLIA

STAINLESS STEEL

QUICK REFERENCE PRODUCT LOCATOR

2020 UPDATES

INDEX

ALLIA

STAINLESS STEEL

PART #	PAGE	PART #	PAGE	PART #	PAGE
BE390	180	CUKIT2123	283	I00218	378
BE400	183	CY57	106	I00405	373
BE420	178	CY657	106	I00410	375
BE595	179	D800	392	I00412	375
BE710	183	D800/1N	395	I00597	246, 374
BE720	180	D19000	393	I00598	375
BEKIT12110	181	D19000/3	396	I00625	377
BI00059	380	D63000	393	KIT0290	413
BI00701	372	D63003	396	L0095	390
C72	247, 362, 389	D96000	393	L0095KIT1	390
C494	404	D96001	396	L0095KIT2	390
C1703	316	DC3142	410	L00362	390
C2503	151, 331	DC3143	410	LO1/18	233, 248
C5056.1E	372	DC3144	411	LO1/24	248, 207, 233
C5056.2	381	DC3146	411	LO1/30	234, 248
C5574EXT	148, 269, 328	DR3129	412	LO4	247, 207, 233
C7135	386	DS014200	181	LO7	248, 207, 234
C7139	386	DS015090	182, 406	LO8	248, 207, 234
C7950	151, 331	DSA12210	181	LS53	106
C21000	404	DSA13750	180	LS57	106
C50000	404	DSA16200	181, 374	LS64	106
C50000/1	405	DT105CI3	412	LS450	28, 47, 80, 90, 109, 118, 128, 137
CB3387	22	DT122ABS2	412	LS650C	39, 55, 99, 127
CC231OFWO	145, 165, 190, 203, 229, 242, 266, 281, 296, 356	DT123ABS3	412	LS750	29, 47, 81, 90, 109, 119, 128, 137
CD8000	404	E824	402	LS850P	39, 55, 99, 127
CIS1/18	170, 316	E37005	405	LS950C	29, 46, 81, 90, 109, 119, 138
CIS1/24	170, 317	EC01D1	203	LS2150	47, 80, 90, 109, 118, 137
CIS1/30	170, 317	EC02D1	203	LS3550	64, 72
CIS4	171, 317	EC05D5	205	LV24	246
CIS7	170, 317	EC06D5	204	LV51	242
CIS7D	171, 317	EC08D3	203	LV102	242
CIS8	171, 318	EC08W3	203	LV110	246
CIS10	169, 316	EC09D3	205	LV120	244
CIS12	170, 316	EC09W3	205	LV195	247
CIS18	171, 318	EC10W1	206	LV210N	246
CIS19	171, 318	EC11W1	206	LV351	242
CNZREMOTE	146, 166, 191, 215, 230, 244, 267, 282, 297, 358	EC12W2	206	LV354	242
CU24	284	EC13W1	206	LV390	247
CU51	280	EC16W1	205	LV595	244
CU57	116	EC17W1	205	LV720L	247
CU102	280	EC18W2	206	LVKIT2111N	246
CU110	285	G1445	37, 54, 97	LVKIT2112	244
CU195	286	G1655	98, 126	LVKIT2113	244
CU210N	285	G7545	27, 45, 79, 88, 108, 117, 136	M2287	207, 231
CU212	282	GKIT1445	38, 54, 97	MB0190	218, 380
CU253	116	GKIT1655	98, 126	MB2009	214
CU351	281	GKIT7545	28, 45, 79, 89, 108, 117, 136	MB2010	218, 380
CU354	280	H08000	380	MB2019	214
CU390L	285	HRF-1000	27, 37, 45, 53, 62, 70, 78, 88, 97, 107, 116, 125, 135	MB2030	214
CU595	282	HRK-2000	27, 37, 45, 53, 63, 71, 79, 88, 97, 107, 117, 125, 135	MB2033	216
CU720HB	285	I00124	406	MB2037	215
CUC49	280	I00131	377	MB2040	217
CUC102	280	I00180	378	MB2042	217
CUKIT2121N	284				
CUKIT2122	283				

QUICK REFERENCE PRODUCT LOCATOR

PART #	PAGE	PART #	PAGE	PART #	PAGE
MB2043	216	R7514S	26	SDCI2-3143	410
MB2045	216	R7515	86	SDCI2-3144	410
MB2046	218, 395	R7515S	86	SDCI2-3146	410
MB2047	216	R7517	44, 78, 87, 107, 116, 135	SDPVC2/3	411
MB2048	218			SDPVC2/3-3142	408
MB2050	216	R7519	87	SDPVC2/3-3143	408
MB2051	217	R7520	87	SDPVC2/3-3144	408
MB2090	217	R7521	87	SDPVC2/3-3146	408
MB3334	218, 373	R7581	87	SHC-1	30, 40, 48, 57, 65, 73, 82, 91, 101, 111, 120, 129, 139
MB3549	219, 383	R7581S	86		
MB3551	219, 385	R7663	86		
MB7917	62, 70	R7903	26	SLM02	374
MB7927	62	R7923	86	SLM03	376
MB7928	62	RCT-1	368	SLM05	375
MB7930	70	RDD-2	368	SLM06	376
MB7930S	70	RGK3016	17	SOF134	379
MB7945	63, 71	RGKKIT3016	17	SOF135	379
MBG1/18	219	RKIT7517	44, 78, 88, 107, 116, 135	SOF136	389
MBG1/24	219			SOR-09	308
MBG1/30	219	ROT1/18	152, 331	SOR-14	308
MBG4	220	ROT1/24	152, 331	SOR-16	308
MBG7	220	ROT1/30	152, 332	SOR-19	308
MBG8	220	ROT4	153, 333	SOR-30	309
MBKIT7917	62, 70	ROT7	153, 333	SOR-32	309
MBKIT7945	63, 71	ROT7D	154, 333	SOR-41	309, 377
MI01D1	257	ROT8	152, 332	SOR-42	309
MI01W2	257	ROT10	153, 334	SOR-43	308
MI02D1	257	ROT18	153, 332	SOR-7	309
MI05D5	258	ROT19	153, 332	SOR-8	310
MI05F1	258	RSA3018	19	SOR1/12	310
MI09D3	257	RSS1318	12	SOR1/18	310
MI10W1	258	RSS1515	12	SOR1/24	310
MI11W1	258	RSS1718	12	SY300	234, 249, 287, 361
MI12W2	259	RSS2115	13	T1587	148, 166, 314, 327
MI13W1	259	RSS2416	13	TR55D1	134
MI18W1	259	RSS2418	14	TR56D1	135
N1987	268	RSS2716	14	TR60D1	134
QL66	46, 80, 89, 109, 118, 137	RSS3016	14	TR61D1	134
		RSS3018	15	TR65D1	134
QN25UM	7	RSS3118	16	TR66D1	134
QN36UM	7	RSS3318	15	U.1106	28, 38, 46, 54, 64, 72, 80, 89, 98, 108, 118, 126, 136
QU101	286, 360	RSS3518	16	U.1810	27, 37, 45, 54, 63, 71, 79, 88, 97, 107, 117, 126, 136
QU102	286, 360	RSS3618	16	U.1998	28, 38, 46, 54, 63, 71, 79, 89, 98, 108, 117, 126, 136
QU103	286, 360	RT8000	151, 168, 316, 331		
QU220	286, 360	RUW3616SB	19	U.5135	373
QU400	287, 360	RUW4916SB	18	U.5140	391
QU420	287, 361	RUWKIT36161	20	U.5182	381
QU710	287, 361	RUWKIT36162	20	U.5184	382
R77V3	26	RUWKIT49161	18	U.5204	376
R1040R	369	RUWKIT49162	19	U.5205	373
R1041R	369	SDABS2/3	411	U.5260	374
R1051BV	368	SDABS2/3-3142	409	U.5350	392
R1052BD	368	SDABS2/3-3143	409	U.5379	412
R1053BD	369	SDABS2/3-3144	409	U.5384	383
R1055BD	369	SDABS2/3-3146	409	U.5388	384
R1062BO	369	SDCI2	411		
R7514	26	SDCI2-3142	409		

2020 UPDATES

INDEX

ALLIA

STAINLESS STEEL

QUICK REFERENCE PRODUCT LOCATOR

2020 UPDATES

INDEX

ALLIA

STAINLESS STEEL

PART #	PAGE	PART #	PAGE	PART #	PAGE
U.5399	413	WSGRSS1318	12, 17		
U.5535	392	WSGRSS1515	12		
U.5540	392	WSGRSS1718	13, 16, 17		
U.5546	403	WSGRSS2115	13		
U.5570	406	WSGRSS2416	13		
U.5800	379	WSGRSS2418	14		
U.5810	389	WSGRSS2716	14		
U.5815	387	WSGRSS3016	15		
U.5870	407	WSGRSS3018	15, 19		
U.5882	381	WSGRSS3318	15		
U.5884	383	WSGRSS3618	16		
U.6907	397	WSGRUW3616	19		
U.6911	398	WSGRUW4916LG	18		
U.6914	399	WSGRUW4916SM	18		
U.6915	400	ZA219	285		
U.PRF1	28, 38, 46, 55, 64, 72, 80, 89, 98, 108, 118, 127, 137	ZA386	149, 168, 245, 269, 284, 328		
V00022	403	ZA009040	182		
V00222	403	ZA1037902	245, 283		
V00275	413	ZA1038402	149, 168, 179, 192, 231, 249, 270, 284, 328		
VIN1/18	347	ZZ9314302/2	149, 167, 329		
VIN1/24	347	ZZ9353502	148, 167, 269, 328		
VIN1/30	348	ZZ9826502	245, 284		
VIN4	347	ZZ9841702	245, 283		
VIN7	347	ZZ9841802	283		
VIN8	347	ZZ9897702	245		
VIN12	235, 249, 287, 348, 362				
VIN17	234, 249, 288, 348, 361				
VIN42	235, 249, 288, 348, 361				
VIN1487	348				
WA24	358				
WA26	356				
WA31	359				
WA102	356				
WA111	358				
WA195	359				
WA210N	359				
WA390L	359				
WA652	356				
WA720	359				
WA721	358				
WA751	356				
WA1319	358, 377				
WI0122	379				
WI0123	380				
WI0195	378				
WI0196	374				
WI0197	378				
WSG5927	4				
WSG6307	5				
WSG6327LG	6				
WSG6327SM	6				
WSG6347	4				
WSG6497	5				
WSGAL3220	5				
WSGAL3620	6				
WSGRGK3016	17				

ALLIA™ FIRECLAY SINKS

Authentically Crafted in France

Since 1892, Allia™ Fireclay Sinks have been crafted in the Limoges region of France. Allia™ Sinks are as durable as they are beautiful. Each sink is covered with a thick layer of luminous glaze which fuses with the clay to provide an exceptionally strong, hard surface that is stain and chip resistant.



AL3220AF1

Available Finishes:



White
00



Pergame
68



Matte Black
63

See product page for available finishes



5927
page 4



6347
page 4



6307
page 4



6497
page 5



NEW

AL3220AF1
page 5



NEW

AL3620AF1
page 6



6337
page 6



00



68



63



6307-00

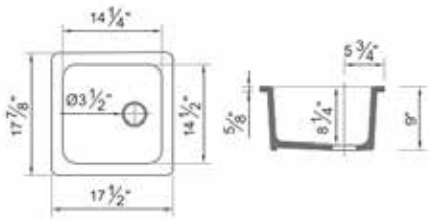
The Kitchen is where families congregate. It is frequented between 10-30 times a day.

The Three F's of selection:

- Foundation - Sinks**
- Faucets**

Functionality:

- Filter Taps
- Hot Water Taps
- Soap Dispensers
- Air Gaps
- Drains
- Sink Grids
- Sink Accessories



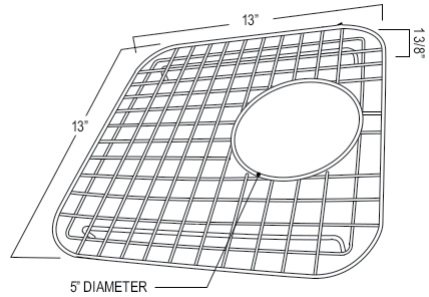
5927 Allia™ 18" Fireclay Single Bowl Bar/Food Prep Sink



- QN25UM Undermount Kit available
- Due to $\pm 2\%$ dimensions, it is recommended that the cabinet maker wait until your sink is delivered to make the cabinet
- 21" minimum cabinet size
- For matching wire sink grid, order WSG5927.
- Includes "ALLIA PARIS" badge

Suggested Retail Price

00	63	68
756	1,054	821



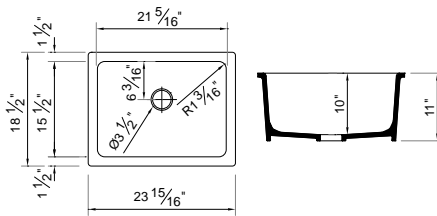
WSG5927 Wire Sink Grid For 5927 Bar/Food Prep Sink



- Specially designed to fit 5927 Allia bar/food prep or kitchen sink

Suggested Retail Price

SS	WH	BS
220	220	220



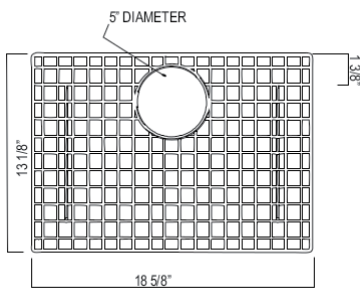
6347 Allia™ 24" Fireclay Single Bowl Undermount Kitchen Or Laundry Sink



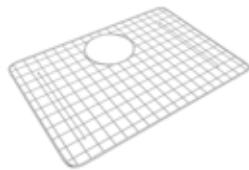
- QN25UM Undermount Kit available
- Due to $\pm 2\%$ dimensions, it is recommended that the cabinet maker wait until your sink is delivered to make the cabinet
- 27" minimum cabinet size
- For matching wire sink grid, order WSG6347.
- Includes "ALLIA PARIS" badge

Suggested Retail Price

00	63	68
937	1,333	1,080



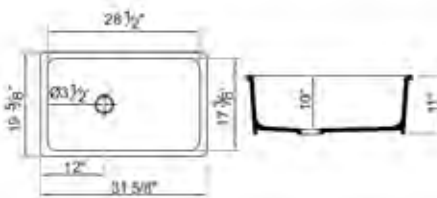
WSG6347 Wire Sink Grid For 6347 Kitchen Or Laundry Sink



- Specially designed to fit 6347 Allia kitchen or laundry sink

Suggested Retail Price

SS	WH	BS
270	270	270



6307 Allia™ 32" Fireclay Single Bowl Undermount Kitchen Sink

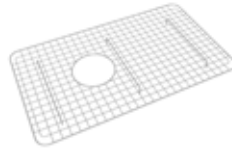
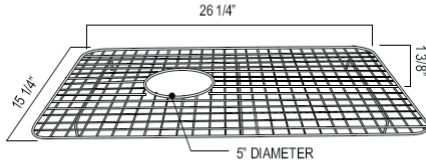


- QN25UM Undermount Kit available
- Due to $\pm 2\%$ dimensions, it is recommended that the cabinet maker wait until your sink is delivered to make the cabinet
- 33" minimum cabinet size
- For matching wire sink grid, order WSG6307.
- Includes "ALLIA PARIS" badge

Suggested Retail Price

00	63	68
983	1,351	1,130

WSG6307 Wire Sink Grid For 6307 Kitchen Sink

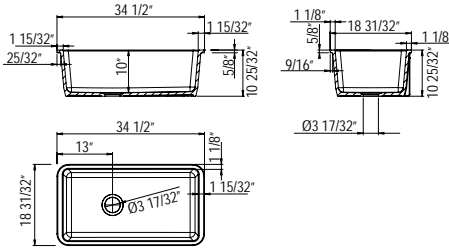


- Specially designed to fit 6307 Allia kitchen sink

Suggested Retail Price

SS	WH	BS
245	245	245

6497 Allia™ 34" Fireclay Single Bowl Undermount Kitchen Sink

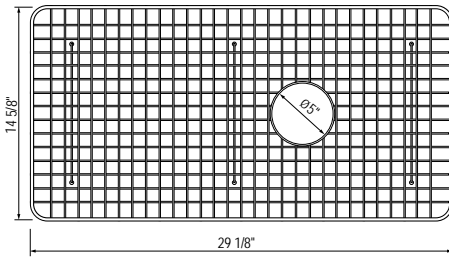


- QN25UM Undermount Kit available
- Due to ± 2% dimensions, it is recommended that the cabinet maker wait until your sink is delivered to make the cabinet
- 36" minimum cabinet size
- For matching wire sink grid, order WSG6497
- Includes "ALLIA PARIS" badge

Suggested Retail Price

00	63	68
1,000	1,100	1,100

WSG6497 Wire Sink Grid For 6497 Kitchen Sink



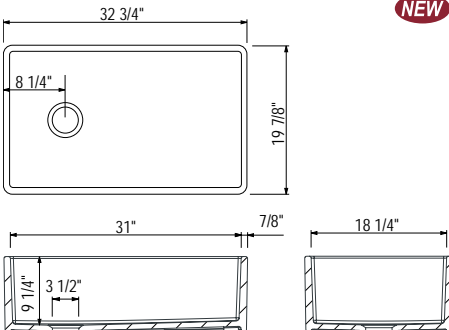
- Specially designed to fit 6497 Allia kitchen sink

Suggested Retail Price

SS	WH	BS
274	274	274

NEW

AL3220AF1 Allia™ 32" Fireclay Single Bowl Apron Front Kitchen Sink



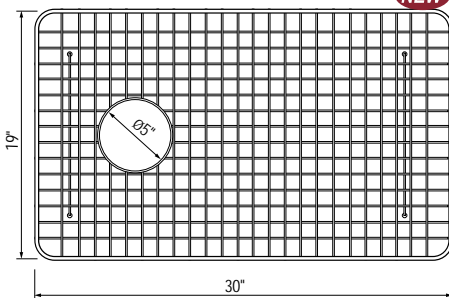
- **Available: Summer 2020**
- Due to ±2% dimensions, it is recommended that the cabinet maker wait until your sink is delivered to make the cabinet because no template is available
- 33" minimum cabinet size
- Extended disposal flange or basket strainer required for installation
- For matching wire sink grid, order WSGAL3220
- Includes "ROHL" badge

Suggested Retail Price

00	63	68
1,298	1,493	1,428

NEW

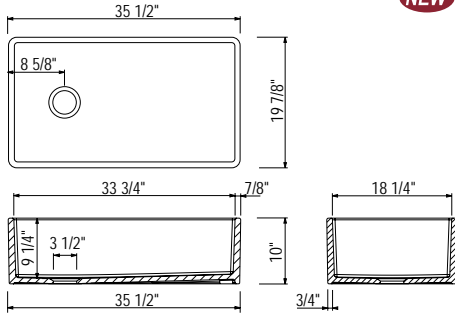
WSGAL3220 Wire Sink Grid for AL3220AF Kitchen Sink



- **Available: Summer 2020**
- Specially designed to fit AL3220AF Shaws® kitchen sink
- Biscuit (BS) finish coordinates with Allia Fireclay Pergame sinks. Stainless Steel (SS) and White (WH) finishes also available.

Suggested Retail Price

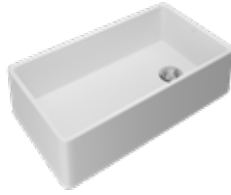
SS	WH	BS
258	258	258



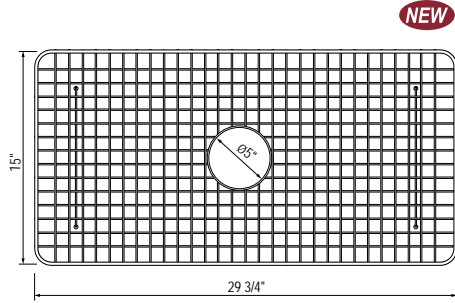
AL3620AF1 Allia™ 36" Fireclay Single Bowl Apron Front Kitchen Sink

Suggested Retail Price

00	63	68
1,398	1,608	1,538



- **Available: Summer 2020**
- Due to ±2% dimensions, it is recommended that the cabinet maker wait until your sink is delivered to make the cabinet because no template is available
- 39" minimum cabinet size
- Extended disposal flange or basket strainer required for installation
- For matching wire sink grid, order WSGAL3620
- Includes "ROHL" badge



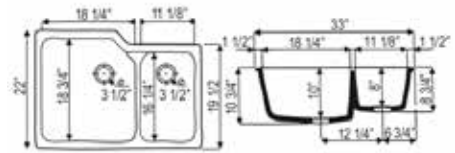
WSGAL3620 Wire Sink Grid for ALF3620 Kitchen Sink

Suggested Retail Price

SS	WH	BS
298	298	298



- **Available: Summer 2020**
- Specially designed to fit AL3620AF Shaws® kitchen sink
- Biscuit (BS) finish coordinates with Allia Fireclay Pergame sinks. Stainless Steel (SS) and White (WH) finishes also available.



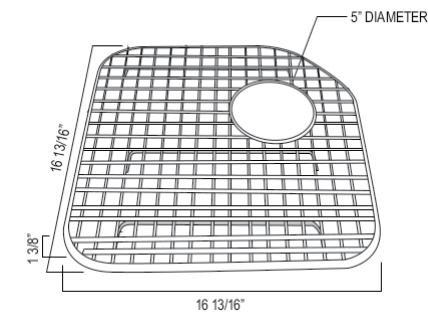
6337 Allia™ 33" Fireclay Double Bowl Undermount Kitchen Sink

Suggested Retail Price

00	63	68
1,136	1,579	1,239



- Disposal flange or basket strainer required for installation
- QN25UM Undermount Kit available
- Due to ± 2% dimensions, it is recommended that the cabinet maker wait until your sink is delivered to make the cabinet
- 36" minimum cabinet size
- For matching wire sink grid, order WSG6327LG and WSG6327SM.
- Includes "ALLIA PARIS" badge



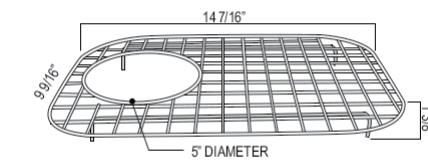
WSG6327LG Wire Sink Grid For 6337 Kitchen Sinks Large Bowl

Suggested Retail Price

SS	WH	BS
228	228	228



- Specially designed to fit 6337 Allia kitchen sink large bowl



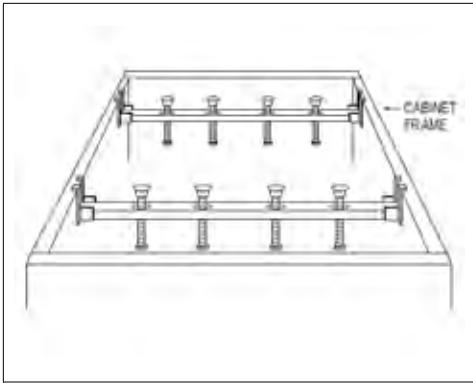
WSG6327SM Wire Sink Grid For 6337 Kitchen Sinks Small Bowl

Suggested Retail Price

SS	WH	BS
227	227	227

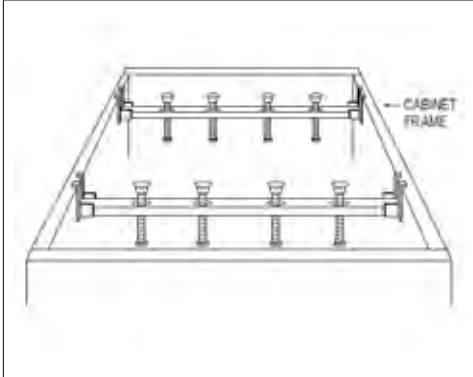


- Specially designed to fit 6337 Allia kitchen sink small bowl



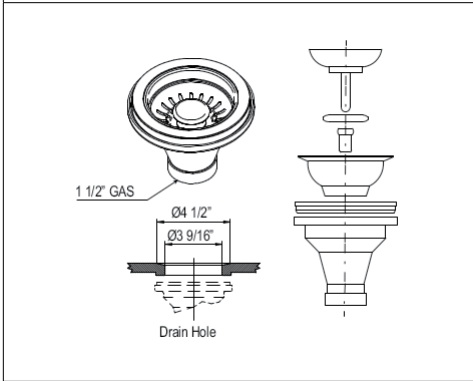
QN25UM 25" Undermount Sink Kit

Suggested Retail Price
N/A
 128



QN36UM 36" Undermount Sink Kit

Suggested Retail Price
N/A
 165

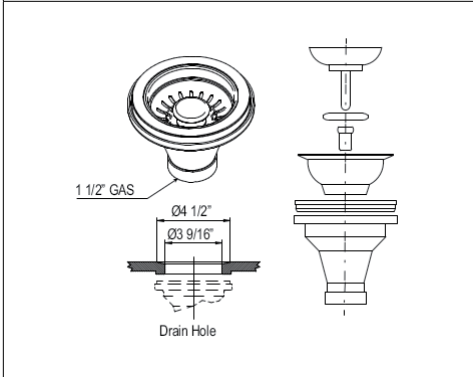


736 Manual Basket Strainer Without Remote Pop-Up and Large Diameter Pull Knob

Suggested Retail Price
APC
 97



- Shorter mounting screws available for metal sinks, part #737SCREW23

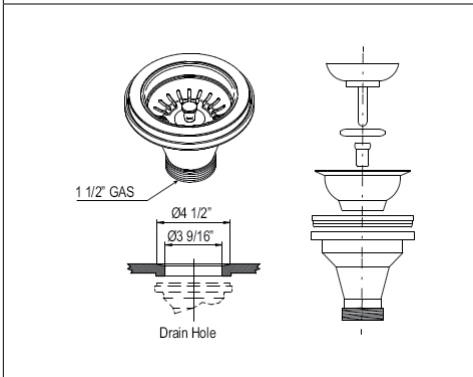


738 Manual Basket Strainer Without Remote Pop-Up and Large Diameter Pull Knob

Suggested Retail Price							
PN	STN	IB	EB	EG	RG	TCB	BKS
299	299	299	387	387	387	299	371



- Shorter mounting screws available for metal sinks, part #737SCREW23
- Biscuit coordinates with Shaws® Fireclay Parchment sinks

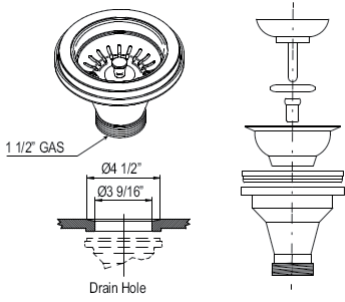


733 Manual Basket Strainer Without Remote Pop-Up

Suggested Retail Price
APC
 66



- Shorter mounting screws available for metal sinks, part #737SCREW23



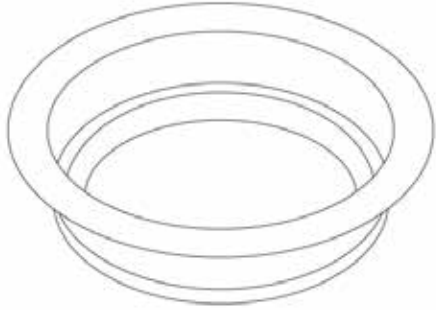
735 Manual Basket Strainer Without Remote Pop-Up

Suggested Retail Price

PN	STN	IB	EB	EG	RG	SEG	TCB	BK	WH	BKS	BS
268	268	268	336	336	336	305	268	84	84	320	84



- Shorter mounting screws available for metal sinks, part #737SCREW23
- Biscuit coordinates with Shaws® Fireclay Parchment sinks



743 Disposal Flange

Suggested Retail Price

APC	PN	STN	IB	EB	RG	SEG	TCB	BK	WH	BKS	BS
155	155	155	261	202	185	249	202	119	119	155	119



- Not compatible with Waste King
- Biscuit coordinates with Shaws® Fireclay Parchment sinks
- Not recommended for use with Shaws® sinks due to thickness of sink



744 Disposal Stopper

Suggested Retail Price

APC	PN	STN	IB	EB	RG	SEG	TCB	BK	WH	BKS	BS
133	133	133	272	213	207	260	213	111	111	133	111

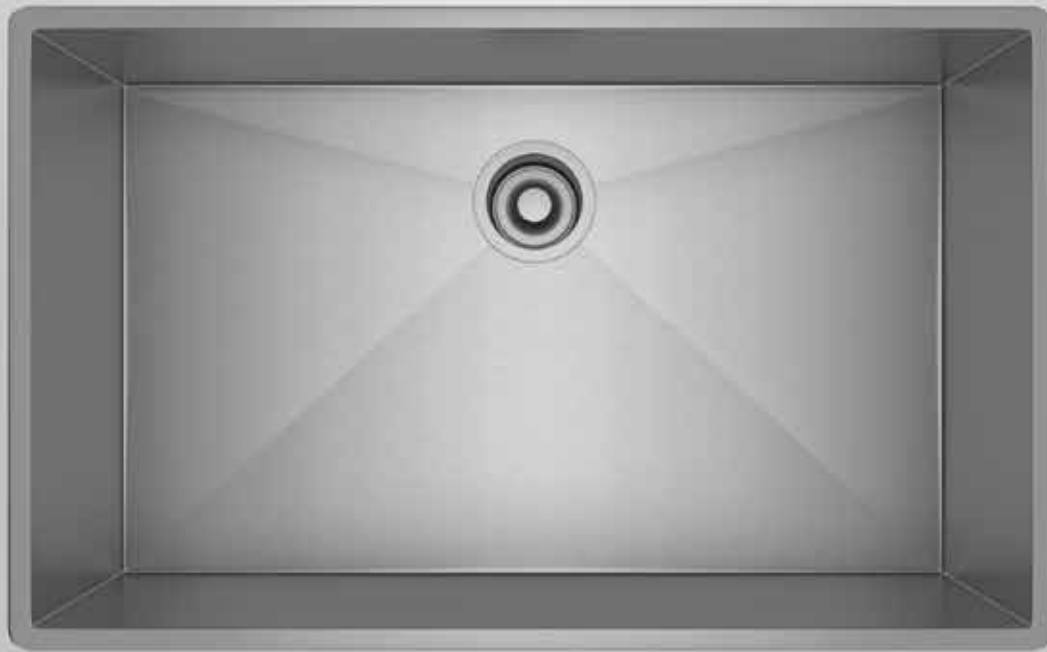


- For use with ISE10082 disposal flange
- Not compatible with Waste King
- Biscuit coordinates with Shaws® Fireclay Parchment sinks

LUXURY STAINLESS STEEL

Authentically Crafted in Italy

Handcrafted in Italy, our exceptional line of commercial-grade Stainless Steel Sinks are best in class and synonymous with luxury kitchens. Unparalleled craftsmanship shines through with insulating “quiet coat” technology while the uniquely patterned Tangent Edge® boasts zero-edge side walls and a rounded, easy-to-clean bottom edge. Rejecting the norm, ROHL® Luxury Stainless Steel sinks are beautiful, long-lasting and innovative solutions that continue to be the choice of discerning customers seeking only the best for their culinary spaces.



RSS3018SB

Available Finishes:



Brushed Stainless Steel
SB



Stainless Copper
SC



Black Stainless Steel
BKS

See product page for available finishes

BAR/FOOD PREP

SERIES HIGHLIGHTS

FORZE



RSS1318
page 12



RSS1515
page 12



RSS1718
page 12

FORZE



RSS2115
page 13



RSS2416
page 13



RSS2418
page 14



RSS2716
page 14



RSS3016
page 14



RSS3018
page 15



RSS3318
page 15



RSS3618
page 16



RSS3518
page 16



RSS3118
page 16

MAIN KITCHEN SINKS

PROSCENIO



RSA3018
page 19

CULINARIO



RGKKIT3016
page 17

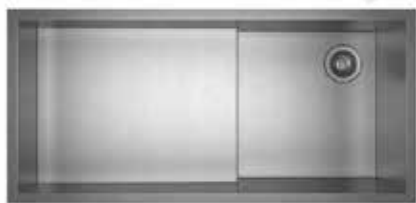


RUWKIT49161
page 18



RUWKIT36162
page 20





RUWKIT36162



The Three F's of selection:

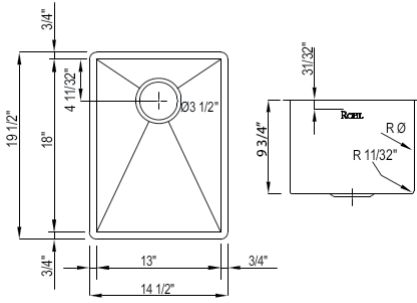
Foundation - Sinks

Faucets

Functionality:

- Filter Taps
- Hot Water Taps
- Soap Dispensers
- Air Gaps
- Drains
- Sink Grids
- Sink Accessories

The Kitchen is where families congregate. It is frequented between 10-30 times a day.



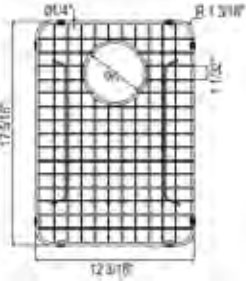
RSS1318 Forze 13" Single Bowl Stainless Steel Kitchen Or Bar/Food Prep Sink



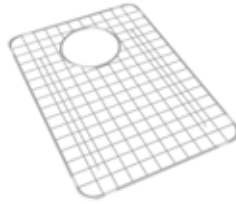
Suggested Retail Price

SB	SC
1,471	3,682

- Commercial grade, 16 gauge 18/10 type 304 Stainless Steel
- Brackets included
- 18" minimum cabinet size
- For matching wire sink grid, order WSGRSS1318.
- Fully insulated using "quiet coat" sound deadening technology



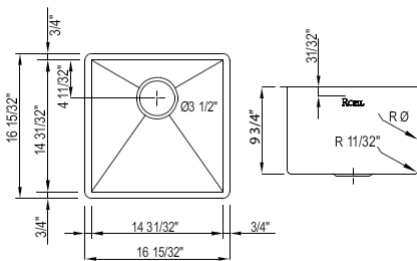
WSGRSS1318 Wire Sink Grid For RSS3118 & RSS1318 Stainless Steel Kitchen Sink



Suggested Retail Price

SS	SC
283	490

- Specially designed to fit the 13" x 18" bowl of the RSS3118 (Brushed Stainless Steel only) and RSS1318 ROHL kitchen sinks



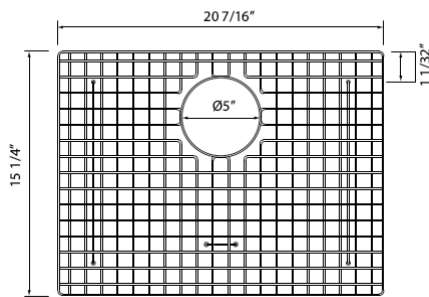
RSS1515 Forze 15" Single Bowl Stainless Steel Kitchen Or Bar/Food Prep Sink



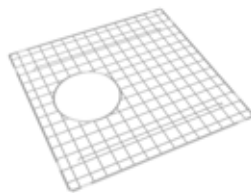
Suggested Retail Price

SB	BKS	SC
1,576	3,603	3,603

- Commercial grade, 16 gauge 18/10 type 304 Stainless Steel
- Brackets included
- 18" minimum cabinet size
- For matching wire sink grid, order WSGRSS1515.
- Fully insulated using "quiet coat" sound deadening technology



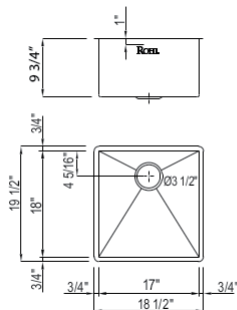
WSGRSS1515 Wire Sink Grid For RSS1515 Stainless Steel Sink



Suggested Retail Price

SS	BKS	SC
188	230	322

- Specially designed to fit RSS1515 ROHL sink



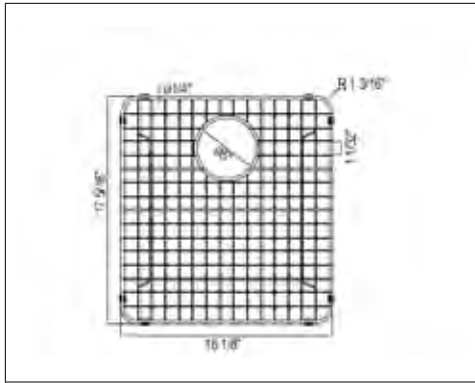
RSS1718 Forze 17" Single Bowl Stainless Steel Kitchen Or Bar/Food Prep Sink



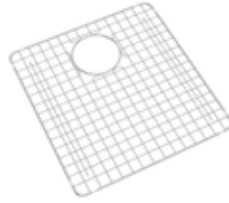
Suggested Retail Price

SB	BKS	SC
1,509	3,722	3,722

- Commercial grade, 16 gauge 18/10 type 304 Stainless Steel
- Brackets included
- 21" minimum cabinet size
- For matching wire sink grid, order WSGRSS1718.
- Fully insulated using "quiet coat" sound deadening technology



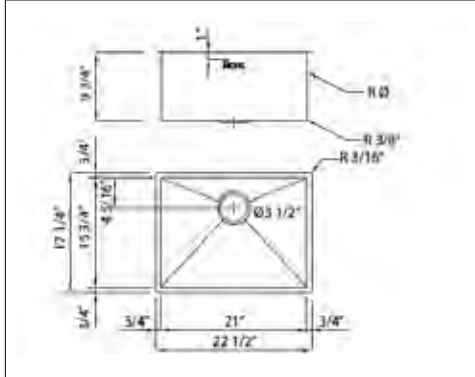
WSGRSS1718 Wire Sink Grid For RSS1718, RSS3518 And RSS3118 Kitchen Sinks



Suggested Retail Price

SS	BKS	SC
209	267	356

- Specially designed to fit the RSS1718 ROHL sink and the 17" x 18" bowl of the RSS3518 and RSS3118 ROHL kitchen sinks, RSS3518 and RSS3118 are available in Brushed Stainless Steel only



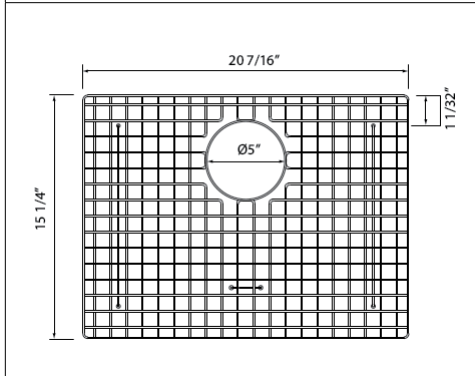
RSS2115 Forze 21" Single Bowl Stainless Steel Kitchen Or Laundry Sink



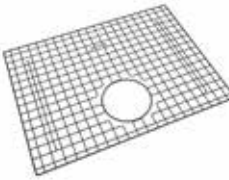
Suggested Retail Price

SB
1,548

- Commercial grade, 16 gauge 18/10 type 304 Stainless Steel
- Brackets included
- 24" minimum cabinet size
- For matching wire sink grid, order WSGRSS2115.
- Fully insulated using "quiet coat" sound deadening technology



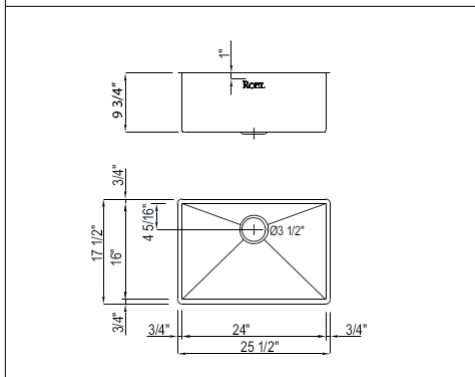
WSGRSS2115 Wire Sink Grid For RSS2115 Kitchen Or Laundry Sink



Suggested Retail Price

SS
274

- Specially designed to fit RSS2115 Stainless Steel kitchen or laundry sink



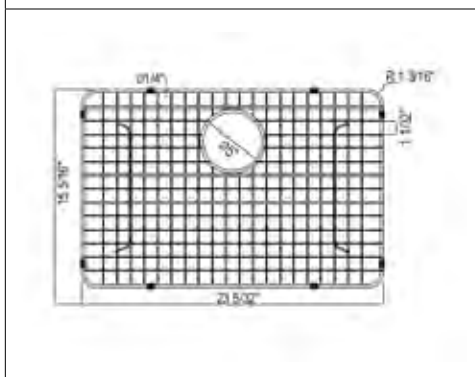
RSS2416 Forze 24" Single Bowl Stainless Steel Kitchen Sink



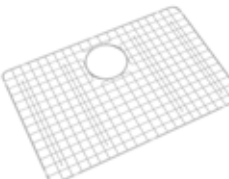
Suggested Retail Price

SB
1,599

- Commercial grade, 16 gauge 18/10 type 304 Stainless Steel
- Brackets included
- 27" minimum cabinet size
- For matching wire sink grid, order WSGRSS2416.
- Fully insulated using "quiet coat" sound deadening technology



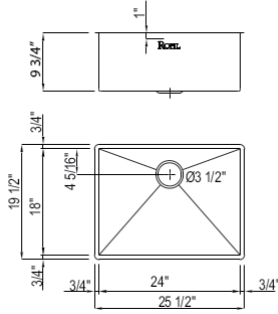
WSGRSS2416 Wire Sink Grid For RSS2416 Kitchen Sink



Suggested Retail Price

SS
233

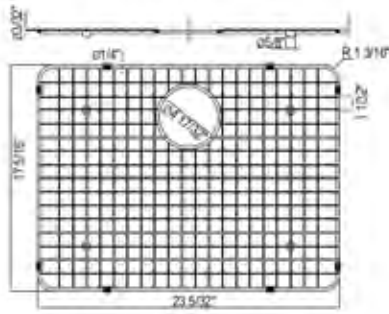
- Specially designed to fit RSS2416 ROHL kitchen sink

**RSS2418 Forze 24" Single Bowl Stainless Steel Kitchen Sink****Suggested Retail Price**

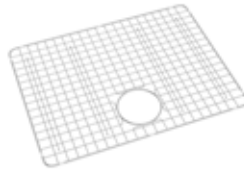
SB	SC
1,599	3,917



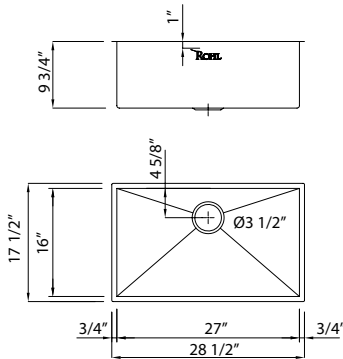
- Commercial grade, 16 gauge 18/10 type 304 Stainless Steel
- Brackets included
- 27" minimum cabinet size
- For matching wire sink grid, order WSGRSS2418.
- Fully insulated using "quiet coat" sound deadening technology

**WSGRSS2418 Wire Sink Grid For RSS2418 Kitchen Sink****Suggested Retail Price**

SS	SC
241	415



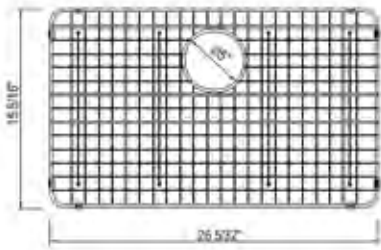
- Specially designed to fit RSS2418 ROHL kitchen sink

**RSS2716 Forze 27" Single Bowl Stainless Steel Kitchen Sink****Suggested Retail Price**

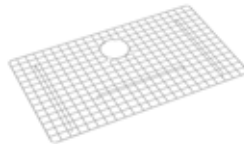
SB
1,651



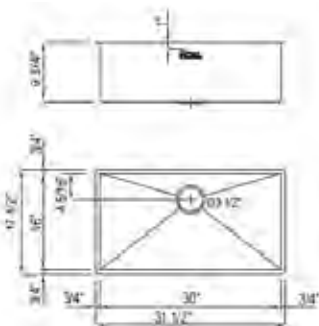
- Commercial grade, 16 gauge 18/10 type 304 Stainless Steel
- Brackets included
- 30" minimum cabinet size
- For matching wire sink grid, order WSGRSS2716.
- Fully insulated using "quiet coat" sound deadening technology

**WSGRSS2716 Wire Sink Grid For RSS2716 Kitchen Sink****Suggested Retail Price**

SS
216



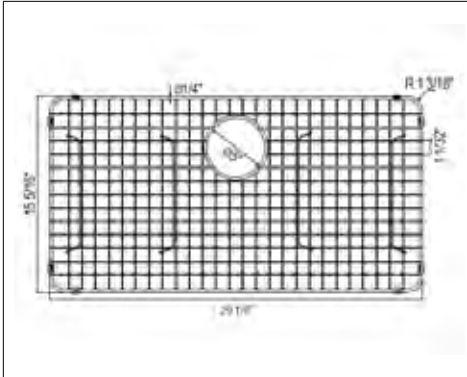
- Specially designed to fit RSS2716 ROHL kitchen sink

**RSS3016 Forze 30" Single Bowl Stainless Steel Kitchen Sink****Suggested Retail Price**

SB	BKS
1,665	4,049



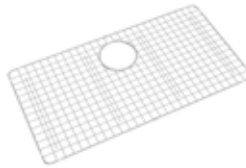
- Commercial grade, 16 gauge 18/10 type 304 Stainless Steel
- Brackets included
- 33" minimum cabinet size
- For matching wire sink grid, order WSGRSS3016.
- Fully insulated using "quiet coat" sound deadening technology



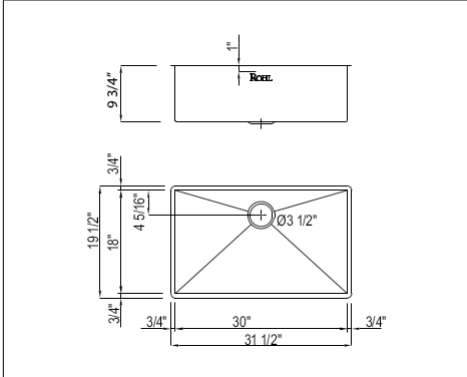
WSGRSS3016 Wire Sink Grid For RSS3016 Kitchen Sink

Suggested Retail Price

SS	BKS
271	275



- Specially designed to fit RSS3016 ROHL kitchen sink



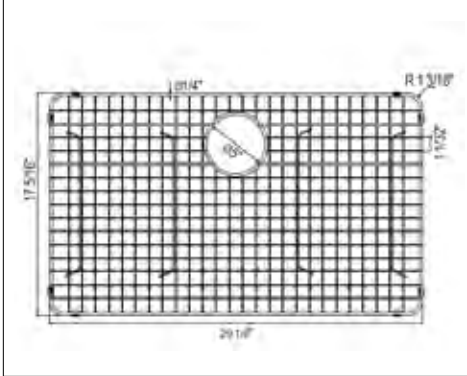
RSS3018 Forze 30" Single Bowl Stainless Steel Kitchen Sink

Suggested Retail Price

SB	BKS	SC
1,665	4,049	4,049



- Commercial grade, 16 gauge 18/10 type 304 Stainless Steel
- Brackets included
- 33" minimum cabinet size
- For matching wire sink grid, order WSGRSS3018.
- Fully insulated using "quiet coat" sound deadening technology



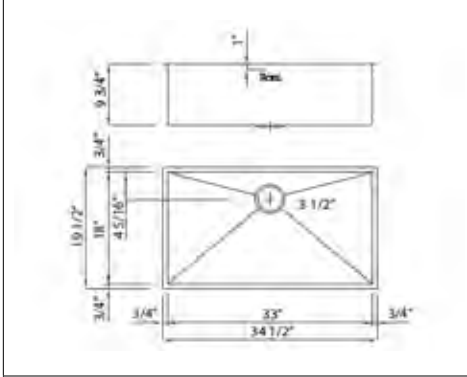
WSGRSS3018 Wire Sink Grid For RSS3018 And RSA3018 Kitchen Sinks

Suggested Retail Price

SS	BKS	SC
282	305	484



- Specially designed to fit RSS3018 and RSA3018 ROHL kitchen sinks



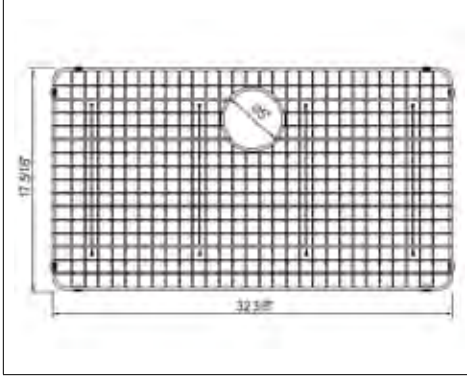
RSS3318 Forze 33" Single Bowl Stainless Steel Kitchen Sink

Suggested Retail Price

SB
1,741



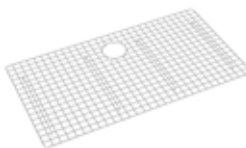
- Commercial grade, 16 gauge 18/10 type 304 Stainless Steel
- Brackets included
- 36" minimum cabinet size
- For matching wire sink grid, order WSGRSS3318.
- Fully insulated using "quiet coat" sound deadening technology



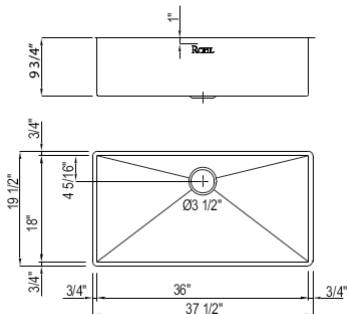
WSGRSS3318 Wire Sink Grid For RSS3318 Kitchen Sink

Suggested Retail Price

SS
296



- Specially designed to fit RSS3318 ROHL kitchen sink

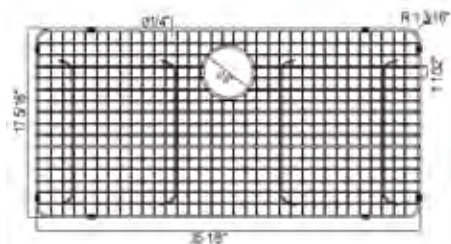
**RSS3618** Forze 36" Single Bowl Stainless Steel Kitchen Sink

Suggested Retail Price

SB	SC
1,809	4,277

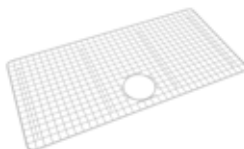


- Commercial grade, 16 gauge 18/10 type 304 Stainless Steel
- Brackets included
- 39" minimum cabinet size
- For matching wire sink grid, order WSGRSS3618.
- Fully insulated using "quiet coat" sound deadening technology

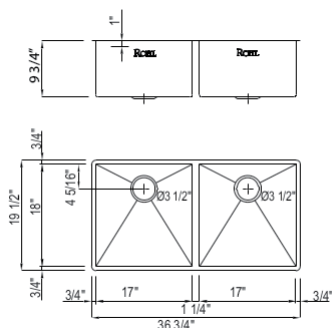
**WSGRSS3618** Wire Sink Grid For RSS3618 Kitchen Sink

Suggested Retail Price

SS	SC
326	559



- Specially designed to fit RSS3618 ROHL kitchen sink

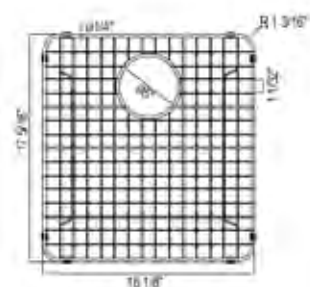
**RSS3518** Forze 35" Double Bowl Stainless Steel Kitchen Sink

Suggested Retail Price

SB
2,990

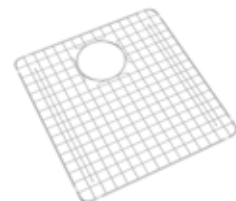


- Commercial grade, 16 gauge 18/10 type 304 Stainless Steel
- Brackets included
- 39" minimum cabinet size
- For matching wire sink grid, order WSGRSS1718.
- Fully insulated using "quiet coat" sound deadening technology

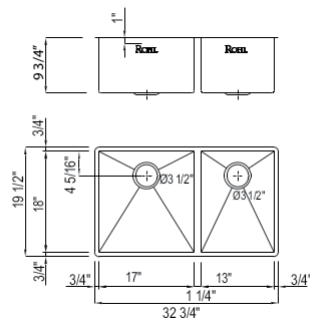
**WSGRSS1718** Wire Sink Grid For RSS1718, RSS3518 And RSS3118 Kitchen Sinks

Suggested Retail Price

SS	BKS	SC
209	267	356



- Specially designed to fit the RSS1718 ROHL sink and the 17" x 18" bowl of the RSS3518 and RSS3118 ROHL kitchen sinks, RSS3518 and RSS3118 are available in Brushed Stainless Steel only

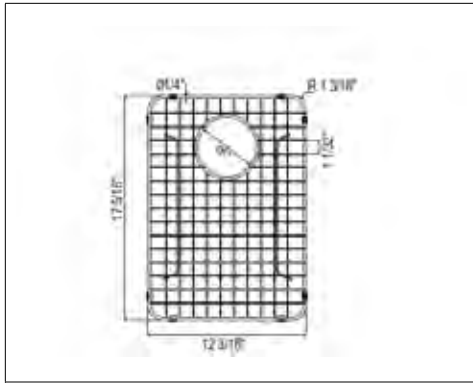
**RSS3118** Forze 31" Double Bowl Stainless Steel Kitchen Sink

Suggested Retail Price

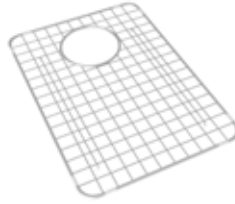
SB
2,715



- Commercial grade, 16 gauge 18/10 type 304 Stainless Steel
- Brackets included
- 33" minimum cabinet size
- For matching wire sink grid, order WSGRSS1718 and WSGRSS1318.
- Fully insulated using "quiet coat" sound deadening technology



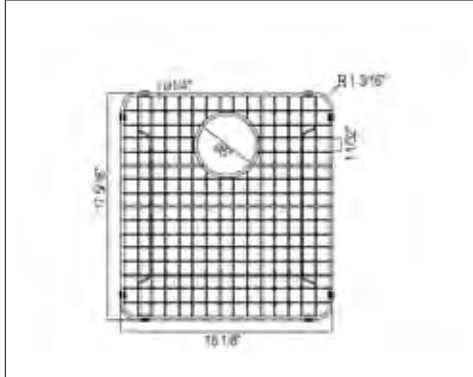
WSGRSS1318 Wire Sink Grid For RSS3118 & RSS1318 Stainless Steel Kitchen Sink



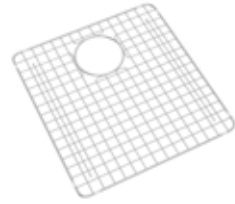
Suggested Retail Price

SS	SC
283	490

- Specially designed to fit the 13" x 18" bowl of the RSS3118 (Brushed Stainless Steel only) and RSS1318 ROHL kitchen sinks



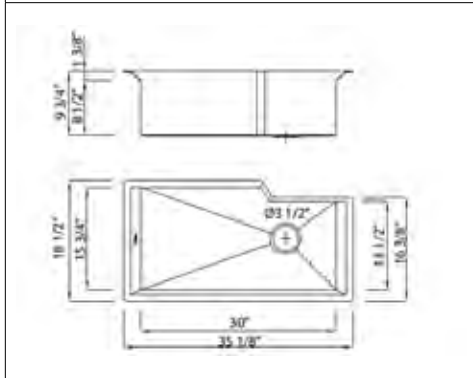
WSGRSS1718 Wire Sink Grid For RSS1718, RSS3518 And RSS3118 Kitchen Sinks



Suggested Retail Price

SS	BKS	SC
209	267	356

- Specially designed to fit the RSS1718 ROHL sink and the 17" x 18" bowl of the RSS3518 and RSS3118 ROHL kitchen sinks, RSS3518 and RSS3118 are available in Brushed Stainless Steel only



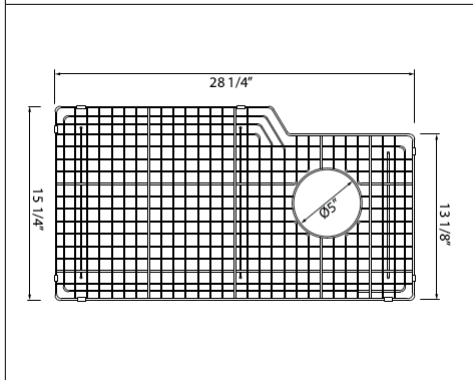
RGK3016 Culinario 35" Single Bowl Stainless Steel Kitchen Sink



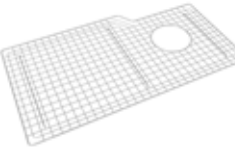
Suggested Retail Price

SB
2,130

- Commercial grade, 16 gauge 18/10 type 304 Stainless Steel
- Brackets included
- 36" minimum cabinet size
- For matching wire sink grid, order WSGRGK3016.
- Fully insulated using "quiet coat" sound deadening technology



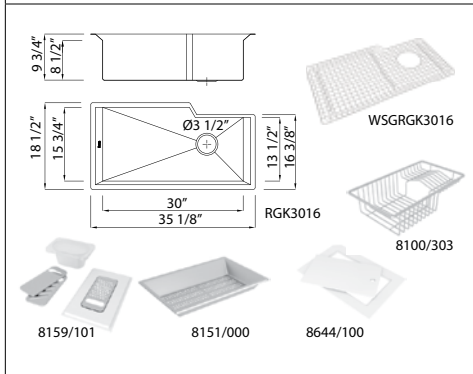
WSGRGK3016 Wire Sink Grid For RGK3016 Kitchen Sink



Suggested Retail Price

SS
343

- Specially designed to fit RGK3016 ROHL kitchen sink



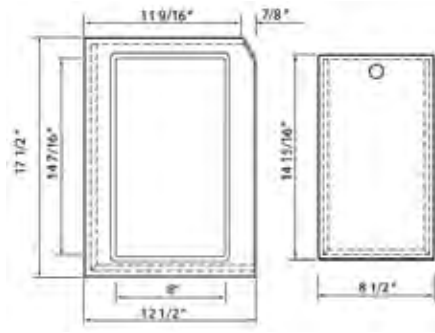
RGKKIT3016 Culinario 35" Single Bowl Stainless Steel Kitchen Sink With Accessories



Suggested Retail Price

SB
3,833

- Commercial grade, 16 gauge 18/10 type 304 Stainless Steel
- Brackets included
- 36" minimum cabinet size
- Fully insulated using "quiet coat" sound deadening technology



8644/100 Cutting Board For Rgk3016 Stainless Steel Sink

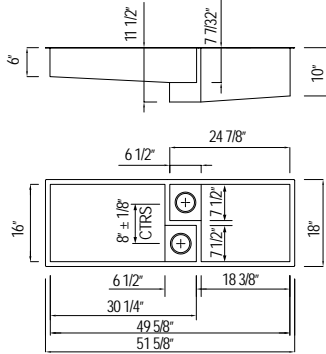
Suggested Retail Price

WH

237



- Includes 15" x 8 1/2" inset to complete set and for inserting additional accessories



RUW4916SB Culinario 50" Double Bowl Ultimate Water Appliance Stainless Steel Sink

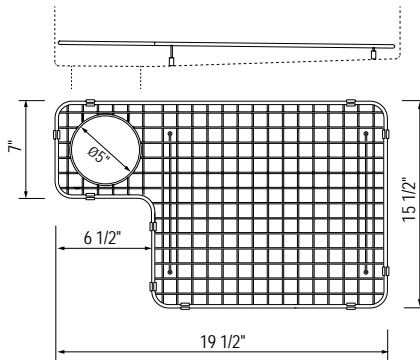
Suggested Retail Price

SB

4,238



- Commercial grade, 16 gauge 18/10 type 304 Stainless Steel
- Brackets included
- Custom cabinet size or combination of standard 18" cabinets
- For matching wire sink grid, order WSGRUW4916LG and WSGRUW4916SM.
- Fully insulated using "quiet coat" sound deadening technology

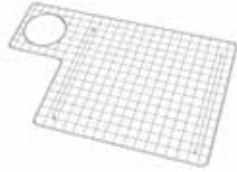


WSGRUW4916SM Wire Sink Grid For RUW4916 Stainless Steel Kitchen Sink Small Bowl

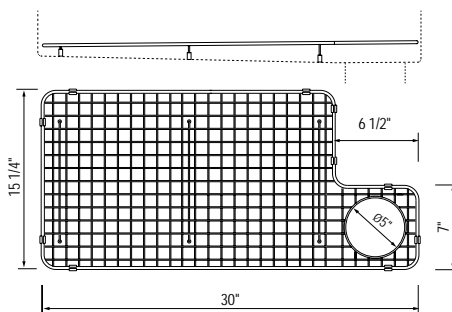
Suggested Retail Price

SS

289



- Specially designed to fit RUW4916 Stainless Steel ROHL kitchen sink small bowl



WSGRUW4916LG Wire Sink Grid For RUW4916 Stainless Steel Kitchen Sink Large Bowl

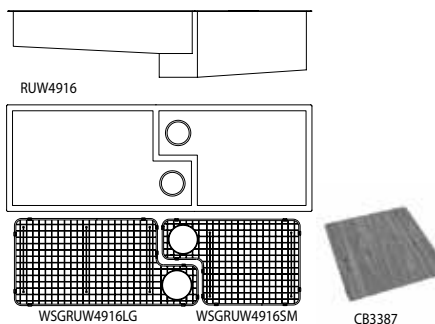
Suggested Retail Price

SS

316



- Specially designed to fit RUW4916 Stainless Steel ROHL kitchen sink large bowl



RUWKIT49161 Culinario 50" Double Bowl Ultimate Water Appliance Stainless Steel Sink With Cutting Board

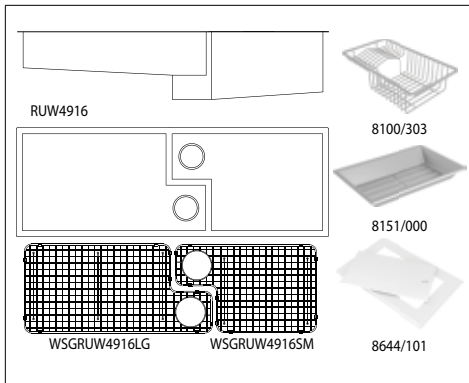
Suggested Retail Price

SB

5,269



- Commercial grade, 16 gauge 18/10 type 304 Stainless Steel
- Brackets included
- Custom cabinet size or combination of standard 18" cabinets
- Fully insulated using "quiet coat" sound deadening technology



RUWKIT49162 Culinario 50" Double Bowl Ultimate Water Appliance Stainless Steel Sink With Accessories

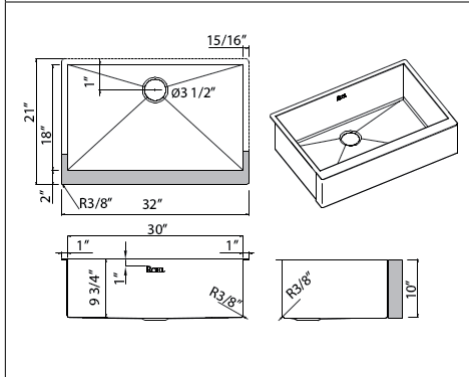
Suggested Retail Price

SB

5,898



- Commercial grade, 16 gauge 18/10 type 304 Stainless Steel
- Brackets included
- Custom cabinet size or combination of standard 18" cabinets
- Fully insulated using "quiet coat" sound deadening technology



RSA3018 Proscenio 30" Single Bowl Apron Front Stainless Steel Kitchen Sink

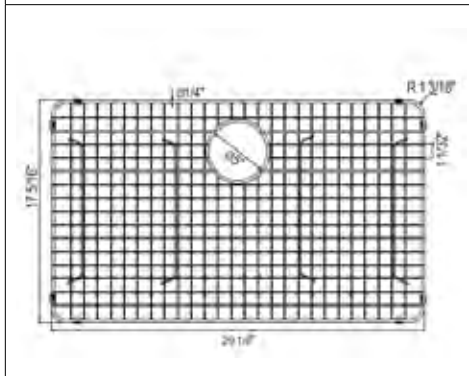
Suggested Retail Price

SB

3,515



- Commercial grade, 16 gauge 18/10 type 304 Stainless Steel
- 36" minimum cabinet size
- For matching wire sink grid, order WSGRSS3018.
- Fully insulated using "quiet coat" sound deadening technology



WSGRSS3018 Wire Sink Grid For RSS3018 And RSA3018 Kitchen Sinks

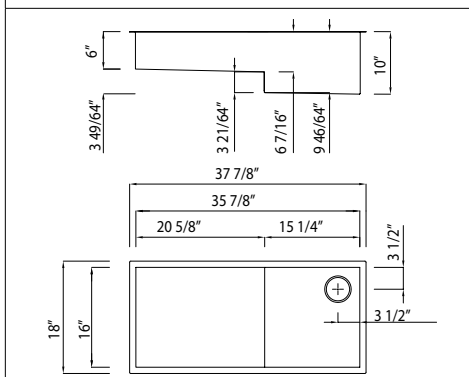
Suggested Retail Price

SS **BKS** **SC**

282 305 484



- Specially designed to fit RSS3018 and RSA3018 ROHL kitchen sinks



RUW3616SB Culinario 36" 2-In-1 Ultimate Water Appliance Stainless Steel Sink

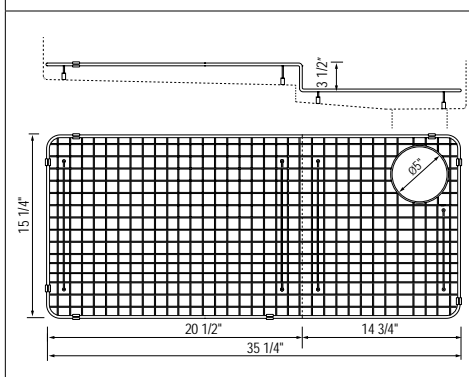
Suggested Retail Price

SB

2,889



- Commercial grade, 16 gauge 18/10 type 304 Stainless Steel
- Brackets included
- 42" minimum cabinet size
- For matching wire sink grid, order WSGRUW3616.
- Fully insulated using "quiet coat" sound deadening technology



WSGRUW3616 Wire Sink Grid For RUW3616 Stainless Steel Kitchen Sink

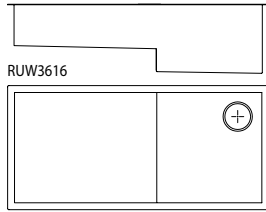
Suggested Retail Price

SS

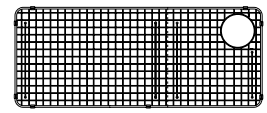
371



- Specially designed to fit RUW3616 Stainless Steel ROHL kitchen sink



RUW3616



WSGRUW3616



CB3387

RUWKIT36161 Culinario 36" 2-In-1 Ultimate Water Appliance Stainless Steel Sink With Cutting Board

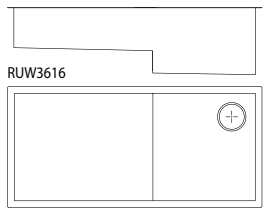
Suggested Retail Price

SB

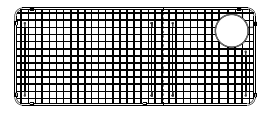
3,686



- Commercial grade, 16 gauge 18/10 type 304 Stainless Steel
- Brackets included
- 42" minimum cabinet size
- Fully insulated using "quiet coat" sound deadening technology



RUW3616



WSGRUW3616



8100/303



8151/000



8644/101

RUWKIT36162 Culinario 36" 2-In-1 Ultimate Water Appliance Stainless Steel Sink With Accessories

Suggested Retail Price

SB

4,315



- Commercial grade, 16 gauge 18/10 type 304 Stainless Steel
- Brackets included
- 42" minimum cabinet size
- Fully insulated using "quiet coat" sound deadening technology

8644/101 Cutting Board For 16" Stainless Steel Sinks

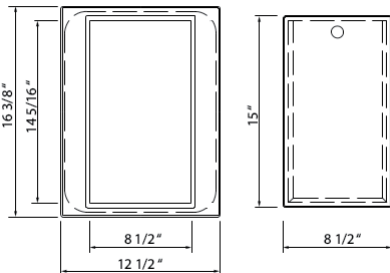
Suggested Retail Price

WH

237



- Includes 15" x 8 1/2" inset for exchanging with additional accessories
- When used with RSS3016 or RSS2416, sink must be installed with a zero reveal

**8100/303** Dish Rack For 16" And 18" Id Stainless Steel Sinks

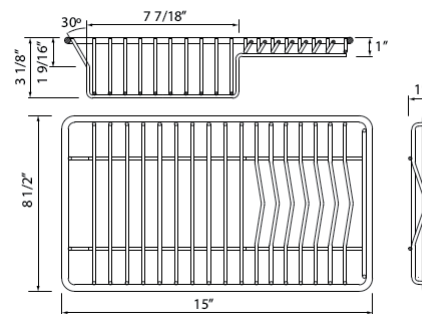
Suggested Retail Price

SS

208



- Requires 8644/100 or 8644/101 to complete the set

**8159/101** Grating Kit For 16" And 18" Id Stainless Steel Sinks

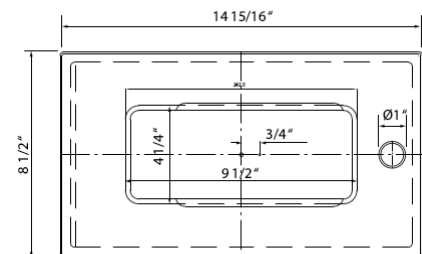
Suggested Retail Price

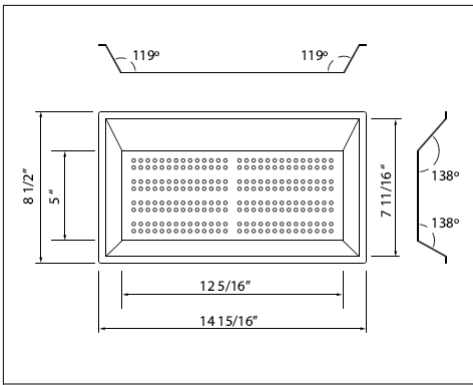
SS

305



- Requires 8644/100 or 8644/101 to complete the set





8151/000 Colander For 16" And 18" Id Stainless Steel Sinks

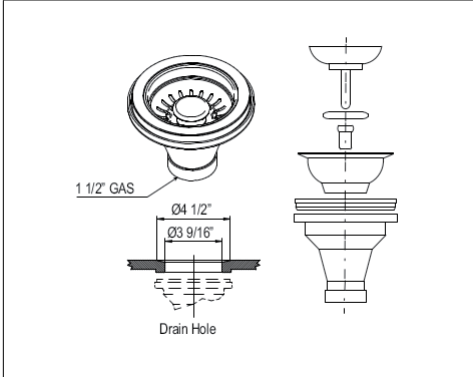
Suggested Retail Price

SS

610



- Requires 8644/100 or 8644/101 to complete the set



736 Manual Basket Strainer Without Remote Pop-Up and Large Diameter Pull Knob

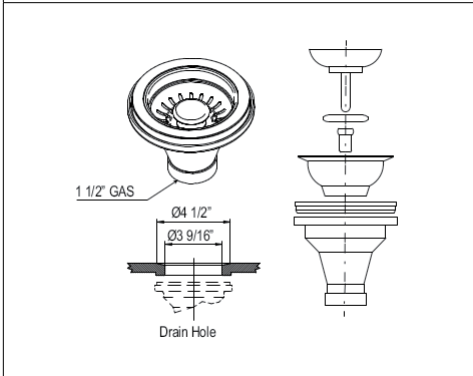
Suggested Retail Price

APC

97



- Shorter mounting screws available for metal sinks, part #737SCREW23



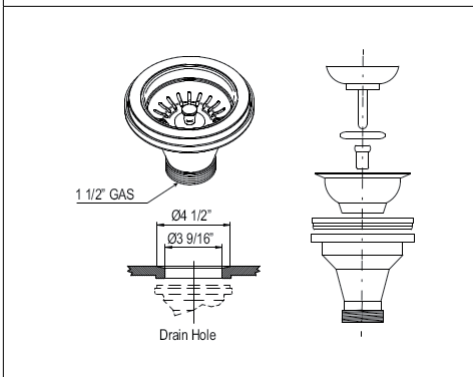
738 Manual Basket Strainer Without Remote Pop-Up and Large Diameter Pull Knob

Suggested Retail Price

PN	STN	IB	EB	EG	RG	TCB	BKS
299	299	299	387	387	387	299	371



- Shorter mounting screws available for metal sinks, part #737SCREW23
- Biscuit coordinates with Shaws® Fireclay Parchment sinks



733 Manual Basket Strainer Without Remote Pop-Up

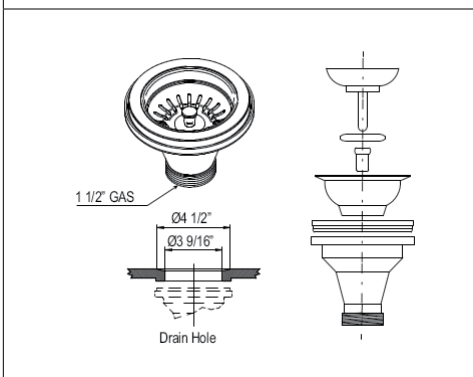
Suggested Retail Price

APC

66



- Shorter mounting screws available for metal sinks, part #737SCREW23



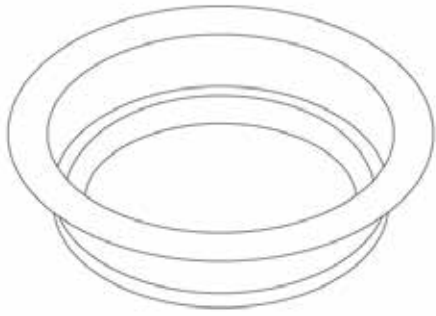
735 Manual Basket Strainer Without Remote Pop-Up

Suggested Retail Price

PN	STN	IB	EB	EG	RG	SEG	TCB	BK	WH	BKS	BS
268	268	268	336	336	336	305	268	84	84	320	84



- Shorter mounting screws available for metal sinks, part #737SCREW23
- Biscuit coordinates with Shaws® Fireclay Parchment sinks



743 Disposal Flange



Suggested Retail Price

APC	PN	STN	IB	EB	RG	SEG	TCB	BK	WH	BKS	BS
155	155	155	261	202	185	249	202	119	119	155	119

- Not compatible with Waste King
- Biscuit coordinates with Shaws® Fireclay Parchment sinks
- Not recommended for use with Shaws® sinks due to thickness of sink



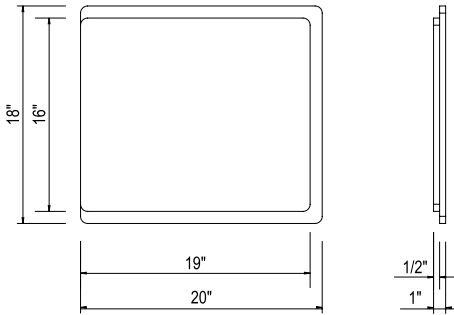
744 Disposal Stopper



Suggested Retail Price

APC	PN	STN	IB	EB	RG	SEG	TCB	BK	WH	BKS	BS
133	133	133	272	213	207	260	213	111	111	133	111

- For use with ISE10082 disposal flange
- Not compatible with Waste King
- Biscuit coordinates with Shaws® Fireclay Parchment sinks



CB3387 Cutting Board For 16" Depth ROHL® Stainless Steel Sinks



Suggested Retail Price

Beech
426

- Specially designed to extend the working surface of Stainless Steel sinks with 16" front to back interior dimension
- Compatible with RUW4916, RUW3616, RSS3016, and RSS2416

1983

Authentically Crafted in North America and New Zealand

Aptly named for the year Ken Rohl discovered a Swiss-made Pull-Out faucet in Europe, the ROHL® 1983 Pull-Out/Pull-Down Collection is a timeless collection of traditionally styled kitchen faucets. Utilizing state-of-the-art factories in North America and New Zealand, each piece features anti-scald technology, dissimilar ceramic discs for longevity and smooth operation, as well as a stainless steel coil and chlorine-resistant inner liner.



Handle Options



*Metal Lever
LM*

Available Finishes:



*Polished Chrome
APC*



*Polished Nickel
PN*



*Matte Black
MB*



*Satin Nickel
STN*



*Rose Gold
RG*



*Stainless Steel
SS*

See product page for available finishes

R7514LMSS

KITCHEN & BAR FAUCETS



R7903
page 26



R77V3
page 26



R7514S
page 26



R7514
page 26

FILTRATION / OTHER



AKIT1635
page 27



GKIT7545
page 28



OTHER CONSIDERATIONS

See product page for available finishes.



LS450
page 28



LS750
page 29



LS950C
page 29



AS450
page 29



AS550
page 30



RC2418
Shaws® Price Book



RC3017
Shaws® Price Book



6337
page 6



6347
page 4



RSS2418
page 14



RSS2716
page 14





APC



PN



STN



MB

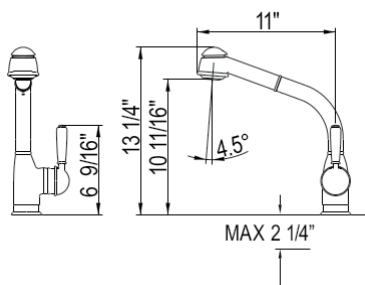


RG



SS

R7903 1983 Side Handle Pull-Out Kitchen Faucet

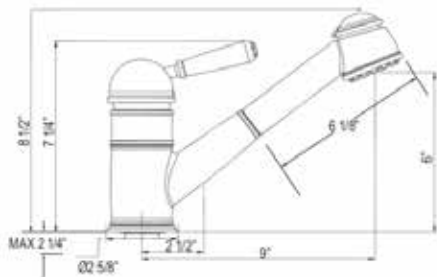


- 1.8 GPM
- Requires 3 1/2" clearance from backsplash to center of faucet hole

Suggested Retail Price

Handle	APC	PN	STN
LM	1,037	1,141	1,296

R77V3 1983 Pull-Out Kitchen Faucet

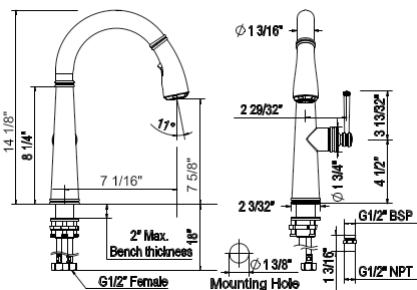


- 1.8 GPM

Suggested Retail Price

Handle	APC	PN	STN
LM	955	1,051	1,194

R7514S 1983 Pull-Down Bar/Food Prep Faucet

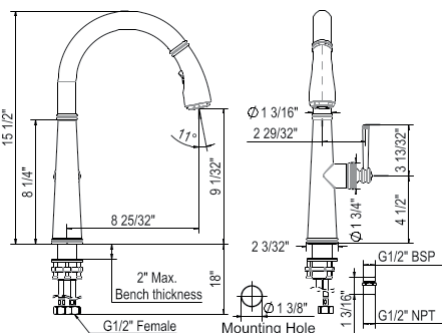


- Requires 2 1/2" clearance from backsplash to center of faucet hole
- 1.8 GPM
- Matching bar/prep faucet for R7514

Suggested Retail Price

Handle	APC	PN	STN	SS	RG
LM	916	1,008	1,146	1,059	1,350

R7514 1983 Pull-Down Kitchen Faucet

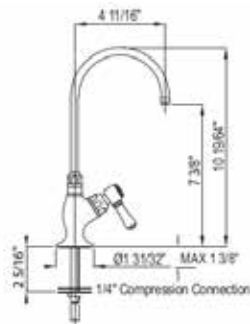


- Requires 2 1/2" clearance from backsplash to center of faucet hole
- 1.8 GPM

Suggested Retail Price

Handle	APC	PN	STN	SS	RG
LM	916	1,008	1,146	1,059	1,350

A1635 San Julio® C-Spout Filter Faucet



- 1/4" compression connection not included
- Designed to work with our HRK-2000 filtration system
- Not suitable for R.O. systems or instant hot systems

Suggested Retail Price

Handle	APC	PN	STN	MB
LM	342	342	488	488



APC



PN



STN



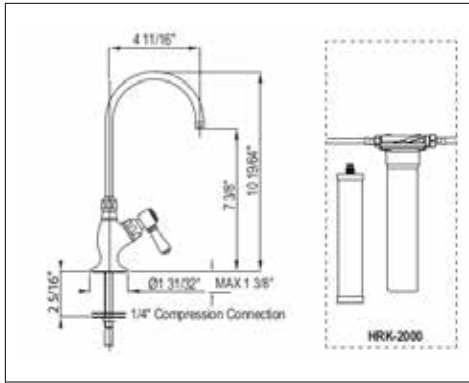
MB



RG



SS



AKIT1635 San Julio® C-Spout Filter Faucet



- Filtered Water .5 GPM at 45 PSI
- Designed to work with our HRK-2000 filtration system
- Not suitable for R.O. systems or instant hot systems
- Kit includes:
 - A1635
 - HRK-2000

Suggested Retail Price

Handle	APC	PN	STN
LM	962	962	1,108

ACQUI

CAMPO



HRF-1000 Arolla™ Replacement Filter Unit Only



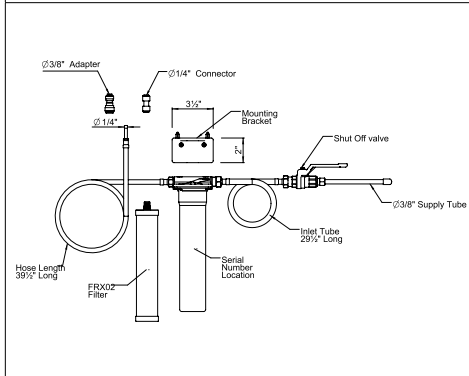
- Replacement filter for HRK-2000 filter system.
- Recommend changing filter every 6 months

Suggested Retail Price

N/A
102

CINQUANTA

GOTHAM



HRK-2000 Arolla™ In-line Filter System Complete With Cartridge



- Does not come with faucet
- For replacement filter, order HRF-1000

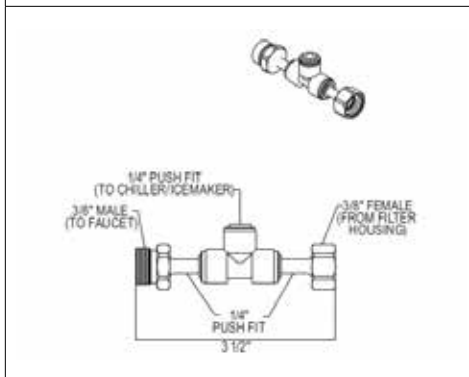
Suggested Retail Price

N/A
620

GRACELINE

LOMBARDIA

LUX



U.1810 Perrin & Rowe® In-line Ice Maker T-Connector



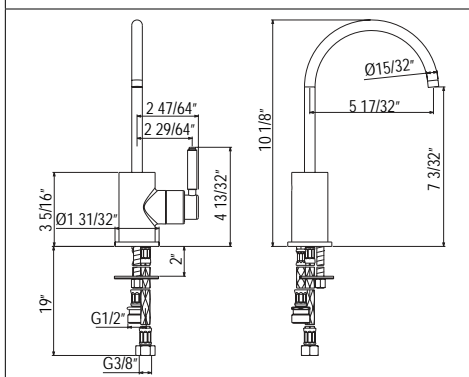
- For use with HRK-2000: \$620

Suggested Retail Price

N/A
147

PATRIZIA

PIRELLONE



G7545 Lux™ C-Spout Hot Water Faucet



- 5 year warranty
- For use with U.1998 high performance hot water tank and U.1106 filter
- Hot water .5 GPM at 45 PSI
- Not compatible with ISE tanks

Suggested Retail Price

Handle	APC	PN	STN
LM	321	415	615

QUARTILE

SAN JULIO

TUUARIO



APC



PN



STN



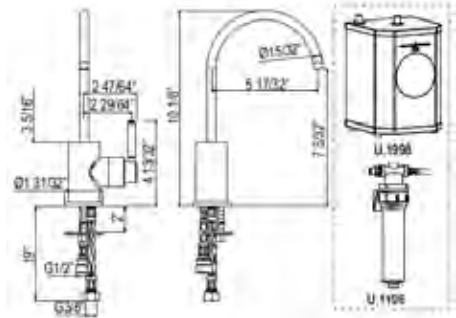
MB



RG



SS



GKIT7545 Lux™ C-Spout Hot Water Faucet, Tank And Filter Kit



- Kit includes:
 - U.1998 Hot water tank
 - G7545LM-2 Hot water faucet
 - U.1106 Hot water filter
- Order U.PRF1 for hot water replacement filter cartridge
- Not compatible with ISE tanks

Suggested Retail Price

Handle	APC	PN	STN
LM	1,526	1,620	1,820

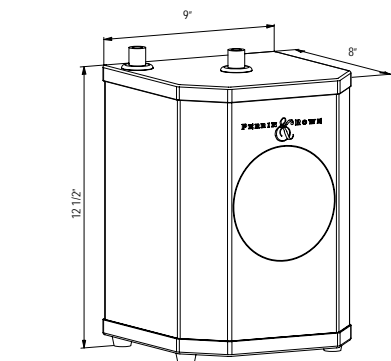
U.1998 High Performance Hot Water Tank



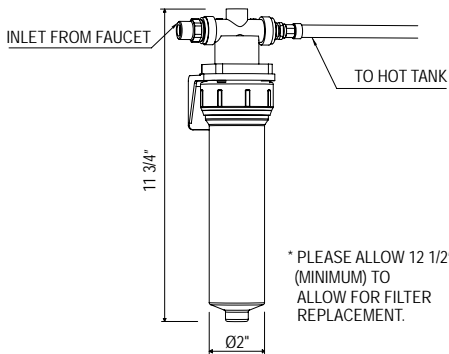
- 3-Year limited warranty
- Not compatible with ISE type dispensers

Suggested Retail Price

	N/A
	861



U.1106 Hot Water Inline Filter With Cartridge

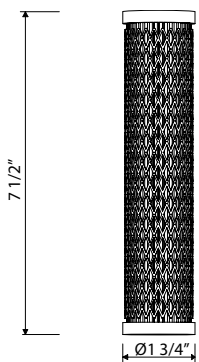


- Order U.PRF1 for hot water replacement filter cartridge every 6 months: \$119

Suggested Retail Price

	N/A
	344

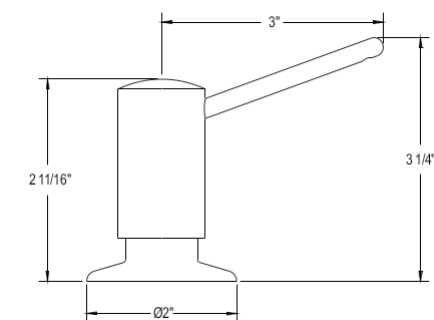
U.PRF1 Hot Water Replacement Filter Cartridge



- Designed for use with U.1106 hot water filtration system
- Recommended 6 month replacement

Suggested Retail Price

	N/A
	119

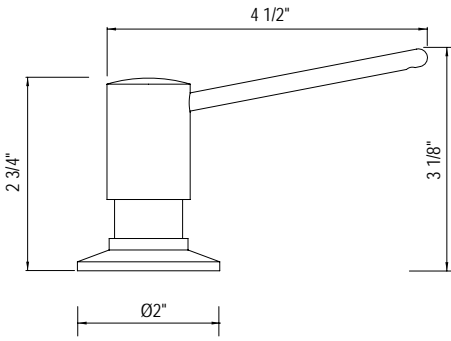


LS450 Lux™ II Soap/Lotion Dispenser



Suggested Retail Price

APC	PN	STN	SS
152	152	175	164



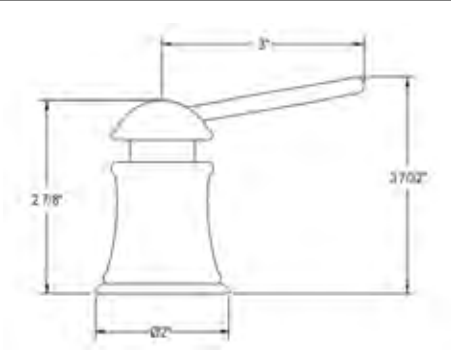
LS750 Lux™ Soap/Lotion Dispenser

Suggested Retail Price

APC	PN	STN
213	264	266



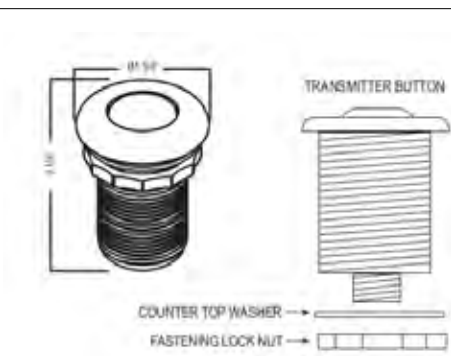
- Deep deck extension available, order part: LS850PEXT



LS950C Transitional Soap/Lotion Dispenser

Suggested Retail Price

APC	PN	STN
184	184	210



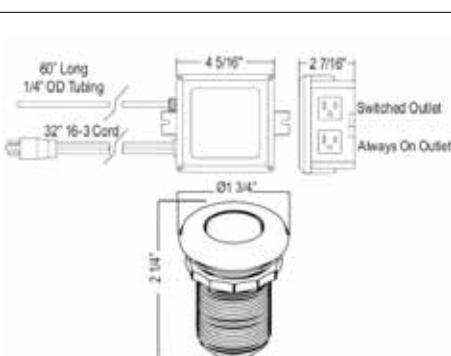
AS425 Air Activated Switch Button Only For Waste Disposal

Suggested Retail Price

APC	PN	STN	SS	MB
97	109	109	106	109



- Does not come with control box, button only



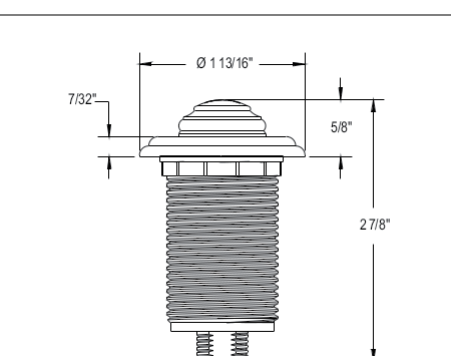
AS450 Air Activated Switch Button With Control Box For Waste Disposal

Suggested Retail Price

APC	PN	STN	SS
292	304	304	301



- Control box with mounting hardware included



AS525 ROHL® Decorative Air Activated Switch Button Only For Waste Disposal

Suggested Retail Price

APC	PN	STN
151	151	171



- Does not come with control box, button only
- Includes ROHL branding on top of button



APC



PN



STN



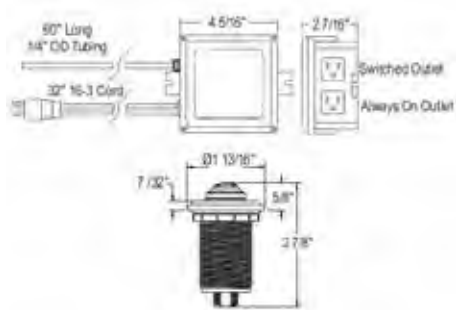
MB



RG



SS



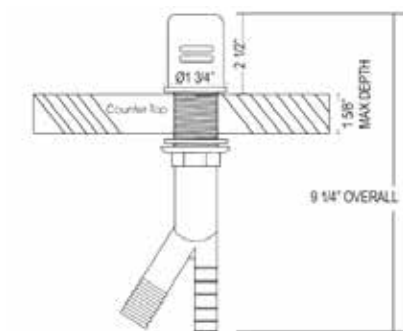
AS550 ROHL® Decorative Air Activated Switch Button With Control Box For Waste Disposal

Suggested Retail Price

APC	PN	STN
346	346	366



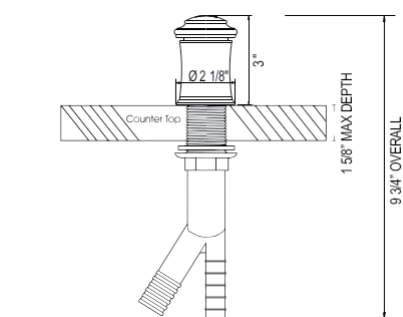
- Control box with mounting hardware included
- Includes ROHL branding on top of button



AG600 Air Gap

Suggested Retail Price

APC	PN	STN	SS
68	79	79	87



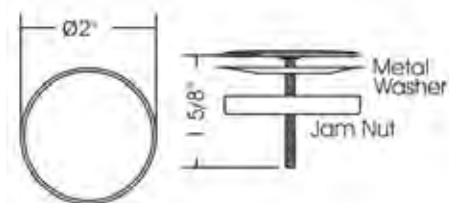
AG700 ROHL® Decorative Air Gap

Suggested Retail Price

APC	PN	STN
181	195	195



- Includes ROHL branding on top of air gap



SHC-1 Sink Hole Cover

Suggested Retail Price

APC	PN	STN
16	37	37



- Biscuit coordinates with Shaws® Fireclay Parchment sinks

ACQUI®

Authentically Crafted in Italy

The hot springs of Acqui in Northern Italy are the inspiration for this classically styled Collection. Acqui Terme, one of the oldest spa villages in Italy, was the revered destination of ancient Greeks and Romans alike where “taking the waters” was a favorite pastime. These thermal spas were the muse for the design of our Acqui® Collection. It takes its form from the ornate, highly decorated architectural and design influences of the region’s history. The Acqui® Collection is proudly made in the Italian Piemonte region by artisans using authentic materials, time-honored traditions and hand techniques passed down from generation to generation.



Handle Options



Metal Lever
LM



Cross Handle
XM



Porcelain Lever
LP



Cross Handle
XM

Available Finishes:



Polished Chrome
APC



Polished Nickel
PN



Tuscan Brass®
TCB



Satin Nickel
STN



Italian Brass
IB

See product page for available finishes

A1458LMWSPN

SERIES HIGHLIGHTS

1983

ACQUI

CAMPO

CINQUANTA

GOTHAM

GRACELINE

LOMBARDIA

LUX

PATRIZIA

PIRELLONE

QUARTILE

SAN JULIO

TUARIO

KITCHEN & BAR FAUCETS



A1458WS
page 34



A1420
page 34



A1456WS
page 34



A1470
page 35



A1680
page 35



A1679
page 35



A3608/6.5
page 35



A3608WS
page 36

FILTRATION / OTHER



A1451
page



A1445
page 39



AKIT1435
page 37



GKIT1445
page 38



OTHER CONSIDERATIONS

See product page for available finishes.



LS650C
page 39



LS850P
page 39



AS450
page 39



AS550
page 40



NEW

AL3220AF1
page 5



6497
page 5



RC3017
Shaws® Price Book



RC3618
Shaws® Price Book



RGK3016
page 17



RUWKIT36162
page 20



APC



PN



STN



TCB



IB

SOAP DISPENSERS

AIR SWITCH

SINKS

1983

ACQUI

CAMPO

CINQUANTA

GOTHAM

GRACELINE

LOMBARDIA

LUX

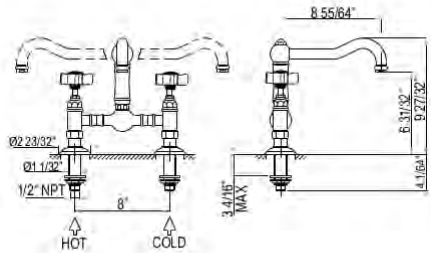
PATRIZIA

PIRELLONE

QUARTILE

SAN JULIO

TUARIO



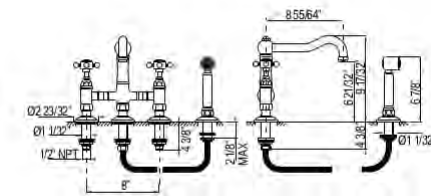
A1459 Acqui® Deck Mount Column Spout Bridge Kitchen Faucet

Suggested Retail Price

Handle	APC	PN	STN	IB	TCB
LM	810	892	1,099	1,151	1,151
LP	810	892	1,099	1,151	1,151
X	810	892	1,099	1,151	1,151
XM	810	892	1,099	1,151	1,151



- 1.5 GPM
- 11" spout available, order separate part # C7445/11
- 2" straight union extensions available, order part # C7205EXT+FINISH for a set of two.



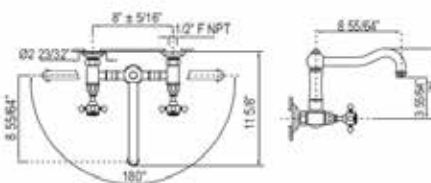
A1458WS Acqui® Deck Mount Column Spout Bridge Kitchen Faucet With Sidespray

Suggested Retail Price

Handle	APC	PN	STN	IB	TCB
LM	1,205	1,326	1,705	1,712	1,712
LP	1,205	1,326	1,705	1,712	1,712
X	1,205	1,326	1,705	1,712	1,712
XM	1,205	1,326	1,705	1,712	1,712



- 1.5 GPM
- 11" spout available, order separate part # C7445/11



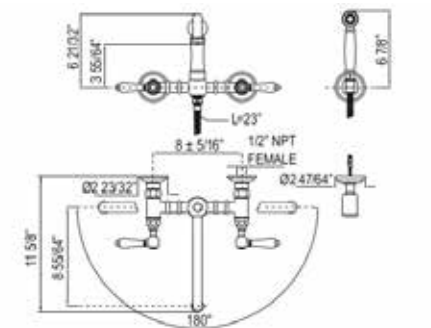
A1456 Acqui® Wall Mount Column Spout Bridge Kitchen Faucet

Suggested Retail Price

Handle	APC	PN	STN	IB	TCB
LM	762	839	1,033	1,083	1,083
LP	762	839	1,033	1,083	1,083
X	762	839	1,033	1,083	1,083
XM	762	839	1,033	1,083	1,083



- 1.5 GPM
- 11" spout available, order separate part # C7445/11
- 2" straight union extensions available, order part # C7205EXT+FINISH for a set of two.



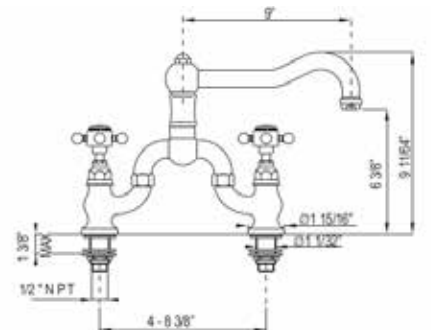
A1456WS Acqui® Wall Mount Column Spout Bridge Kitchen Faucet With Sidespray

Suggested Retail Price

Handle	APC	PN	STN	IB	TCB
LM	1,505	1,656	2,039	2,137	2,137
LP	1,505	1,656	2,039	2,137	2,137
X	1,505	1,656	2,039	2,137	2,137
XM	1,505	1,656	2,039	2,137	2,137



- 1.5 GPM
- 11" spout available, order separate part # C7445/11
- 2" straight union extensions available, order part # C7205EXT+FINISH for a set of two.



A1420 Acqui® Deck Mount Column Spout Bridge Kitchen Faucet

Suggested Retail Price

Handle	APC	PN	STN	IB	TCB
LM	837	921	1,046	1,189	1,189
LP	837	921	1,046	1,189	1,189
X	837	921	1,046	1,189	1,189
XM	837	921	1,046	1,189	1,189



- 1.5 GPM



APC



PN



STN

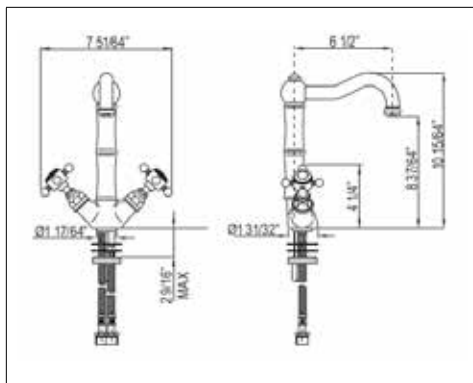


TCB



IB

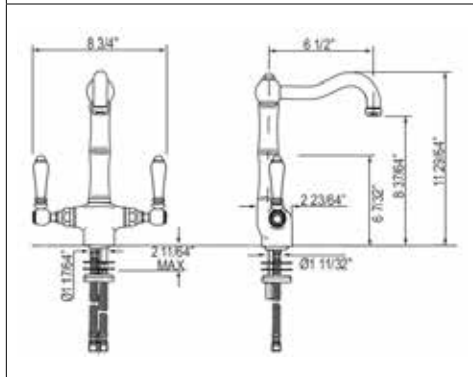
1983

**A1470 Acqui® Column Spout 2-Handle Bar/Food Prep Faucet****Suggested Retail Price**

Handle	APC	PN	STN	IB	TCB
X	730	803	1,015	1,037	1,037
XM	730	803	1,015	1,037	1,037

- 1.5 GPM
- No handspray available
- 4" deep deck extension kit, order part # C7555EXT

ACQUI

**A1680 Acqui® Column Spout 2-Handle Bar/Food Prep Faucet****Suggested Retail Price**

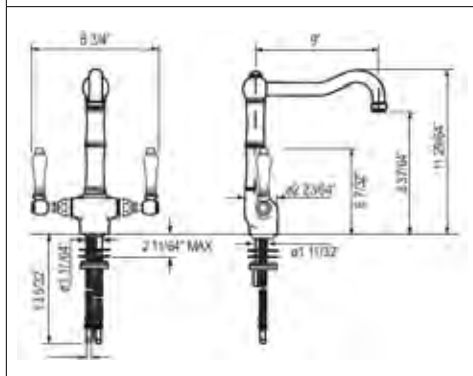
Handle	APC	PN	STN	IB	TCB
LM	730	803	1,015	1,037	1,037
LP	730	803	1,015	1,037	1,037

- 1.5 GPM
- Matches kitchen faucet A1679
- 4" deep deck extension kit, order part # C7555EXT

CAMPO

CINQUANTA

GOTHAM

**A1679 Acqui® Column Spout 2-Handle Kitchen Faucet****Suggested Retail Price**

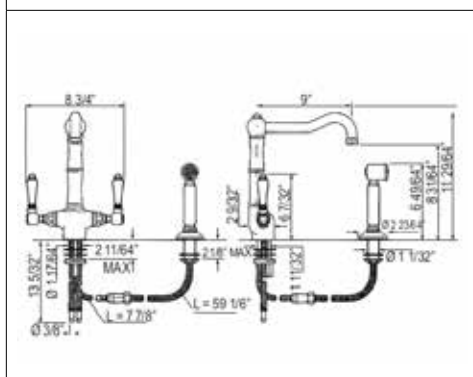
Handle	APC	PN	STN	IB	TCB
LM	730	803	1,015	1,037	1,037
LP	730	803	1,015	1,037	1,037

- 1.5 GPM
- Matches bar faucet A1680
- 4" deep deck extension kit, order part # C7555EXT

GRACELINE

LOMBARDIA

LUX

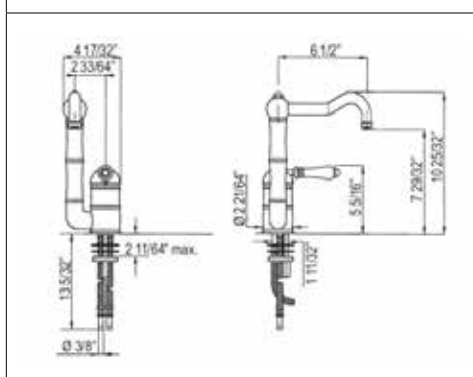
**A1679WS Acqui® Column Spout 2-Handle Kitchen Faucet With Sidespray****Suggested Retail Price**

Handle	APC	PN	STN	IB	TCB
LM	912	1,004	1,270	1,296	1,296
LP	912	1,004	1,270	1,296	1,296

- 1.5 GPM
- Matches bar faucet A1680
- 4" deep deck extension kit, order part # C7555EXT

PATRIZIA

PIRELLONE

**A3608/6.5 Acqui® Column Spout Bar/Food Prep Faucet****Suggested Retail Price**

Handle	APC	PN	STN	IB	TCB
LM	770	847	965	1,093	1,093
LP	770	847	965	1,093	1,093

- 1.5 GPM
- 4" deep deck extension kit, order part # C7555EXT

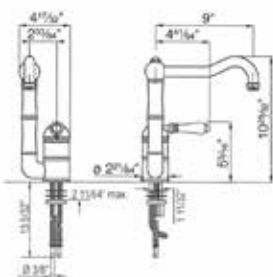
QUARTILE

SAN JULIO

TUUARIO



A3608 Acqui® Column Spout Kitchen Faucet

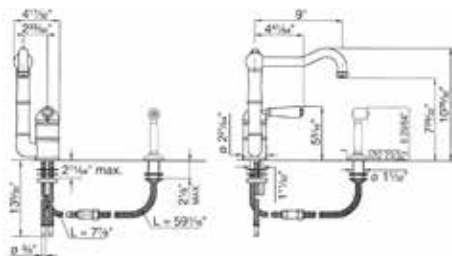


Suggested Retail Price

Handle	APC	PN	STN	IB	TCB
LM	770	847	965	1,093	1,093
LP	770	847	965	1,093	1,093

- 1.5 GPM
- 4" deep deck extension kit, order part # C7555EXT

A3608WS Acqui® Column Spout Kitchen Faucet With Sidespray

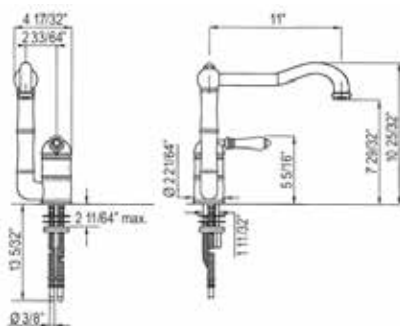


Suggested Retail Price

Handle	APC	PN	STN	IB	TCB
LM	975	1,073	1,223	1,385	1,385
LP	975	1,073	1,223	1,385	1,385

- 1.5 GPM
- 4" deep deck extension kit, order part # C7555EXT

A3608/11 Acqui® Column Spout Kitchen Faucet With Extended Spout

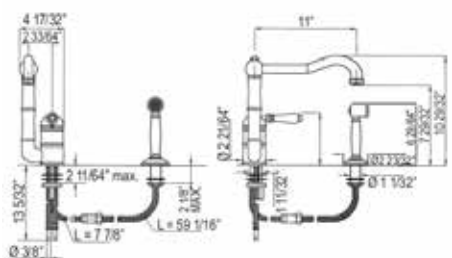


Suggested Retail Price

Handle	APC	PN	STN	IB	TCB
LM	770	847	965	1,093	1,093
LP	770	847	965	1,093	1,093

- 1.5 GPM
- 4" deep deck extension kit, order part # C7555EXT

A3608/11WS Acqui® Column Spout Kitchen Faucet With Sidespray & Extended Spout

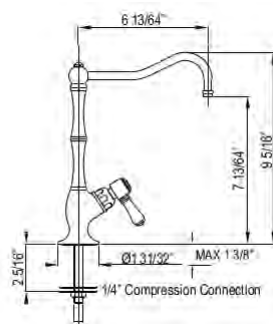


Suggested Retail Price

Handle	APC	PN	STN	IB	TCB
LM	975	1,073	1,223	1,385	1,385
LP	975	1,073	1,223	1,385	1,385

- 1.5 GPM
- 4" deep deck extension kit, order part # C7555EXT

A1435 Acqui® Column Spout Filter Faucet



Suggested Retail Price

Handle	APC	PN	STN	IB	TCB
LM	395	395	572	572	572
LP	395	395	572	572	572
X	395	395	572	572	572
XM	395	395	572	572	572

- Filtered water .5 GPM at 45 PSI
- Designed to work with our HRK-2000 filtration system
- 1 3/8" max hole cutout
- Not suitable for R.O. systems or instant hot systems



APC



PN



STN

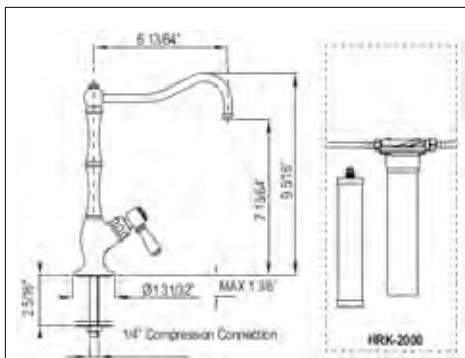


TCB



IB

1983

**AKIT1435 Acqui® Column Spout Filter Faucet****Suggested Retail Price**

Handle	APC	PN	STN	IB	TCB
LM	1,015	1,015	1,192	1,192	1,192
LP	1,015	1,015	1,192	1,192	1,192
X	1,015	1,015	1,192	1,192	1,192
XM	1,015	1,015	1,192	1,192	1,192

- Filtered water .5 GPM at 45 PSI
- Designed to work with our HRK-2000 filtration system
- Not suitable for R.O. systems or instant hot systems
- Kit includes:
 - A1435
 - HRK-2000

ACQUI

CAMPO

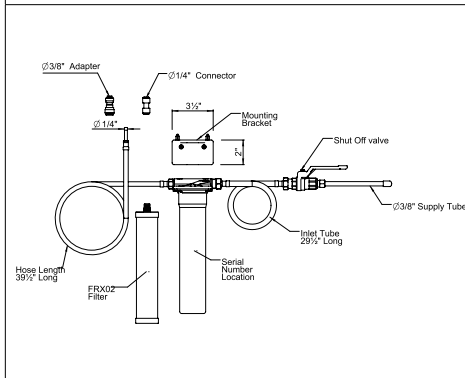
**HRF-1000 Arolla™ Replacement Filter Unit Only****Suggested Retail Price**

N/A
102

- Replacement filter for HRK-2000 filter system.
- Recommend changing filter every 6 months

CINQUANTA

GOTHAM

**HRK-2000 Arolla™ Inline Filter System Complete With Cartridge****Suggested Retail Price**

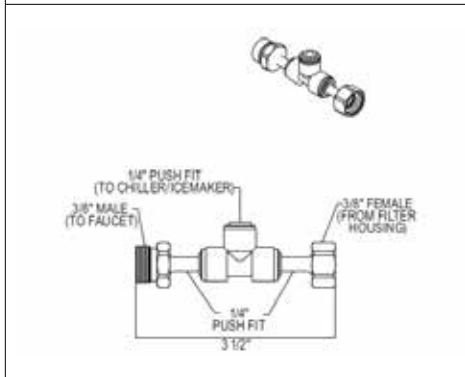
N/A
620

- Does not come with faucet
- For replacement filter, order HRF-1000

GRACELINE

LOMBARDIA

LUX

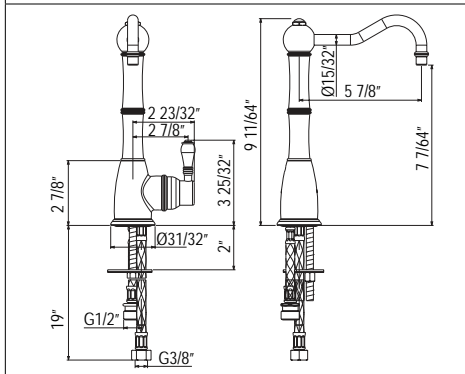
**U.1810 Perrin & Rowe® Inline Ice Maker T-Connector****Suggested Retail Price**

N/A
147

- For use with HRK-2000: \$620

PATRIZIA

PIRELLONE

**G1445 Acqui® Column Spout Hot Water Faucet****Suggested Retail Price**

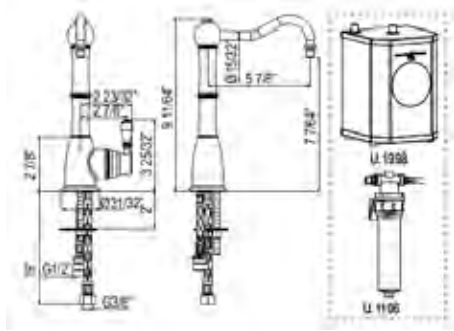
Handle	APC	PN	STN	IB	TCB
LM	426	551	615	655	615

- 5 year warranty
- For use with U.1998 high performance hot water tank and U.1106 filter
- Hot water .5 GPM at 45 PSI
- Not compatible with ISE tanks

QUARTILE

SAN JULIO

TUUARIO



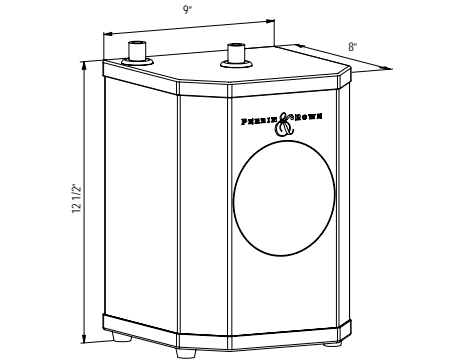
GKIT1445 Acqui® Column Spout Hot Water Faucet, Tank And Filter Kit

Suggested Retail Price

Handle	APC	PN	STN	IB	TCB
LM	1,631	1,756	1,820	1,860	1,820



- Kit includes:
 - U.1998 Hot water tank
 - G1445LM-2 Hot water faucet
 - U.1106 Hot water filter
- Order U.PR.F1 for hot water replacement filter cartridge
- Not compatible with ISE tanks



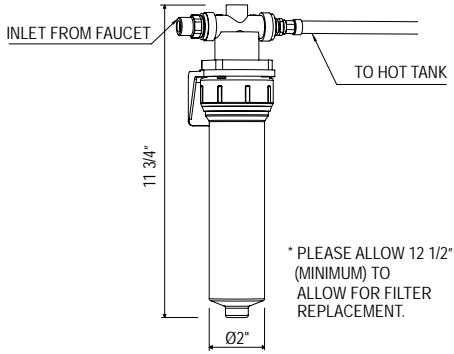
U.1998 High Performance Hot Water Tank

Suggested Retail Price

N/A
861



- 3-Year limited warranty
- Not compatible with ISE type dispensers



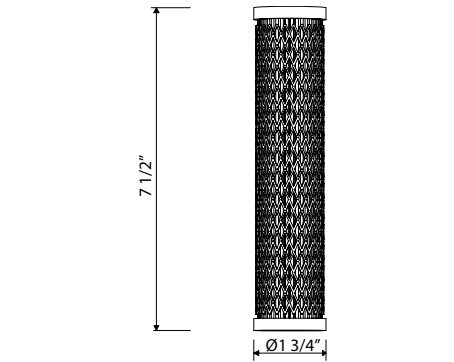
U.1106 Hot Water Inline Filter With Cartridge

Suggested Retail Price

N/A
344



- Order U.PR.F1 for hot water replacement filter cartridge every 6 months: \$119



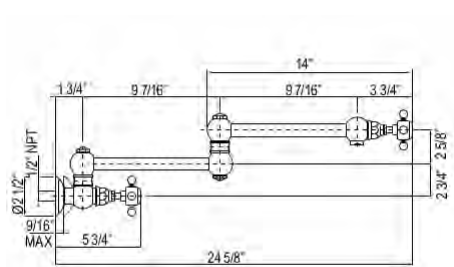
U.PR.F1 Hot Water Replacement Filter Cartridge

Suggested Retail Price

N/A
119



- Designed for use with U.1106 hot water filtration system
- Recommended 6 month replacement



A1451 Wall Mount Swing Arm Pot Filler

Suggested Retail Price

Handle	APC	PN	STN	IB	TCB
LM	1,103	1,214	1,406	1,567	1,567
LP	1,103	1,214	1,406	1,567	1,567
X	1,103	1,214	1,406	1,567	1,567
XM	1,103	1,214	1,406	1,567	1,567



- 1.5 GPM



APC



PN



STN

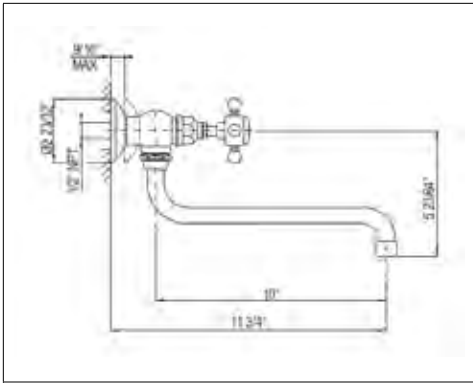


TCB



IB

1983

**A1445 Wall Mount 11 3/4" Reach Pot Filler**

• 1.5 GPM

Suggested Retail Price

Handle	APC	PN	STN	IB	TCB
X	338	373	469	481	481
XM	338	373	469	481	481

ACQUI

CAMPO

**LS650C Soap/Lotion Dispenser**

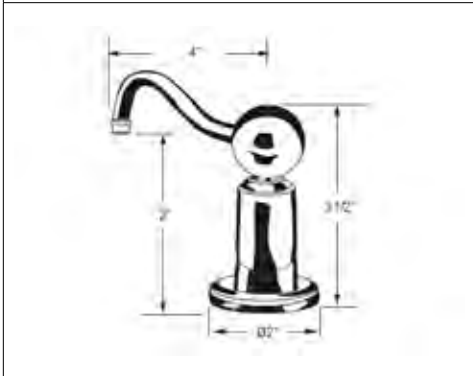
• Deep deck extension available, order part: LS850PEXT

Suggested Retail Price

APC	PN	STN	TCB
245	269	302	302

CINQUANTA

GOTHAM

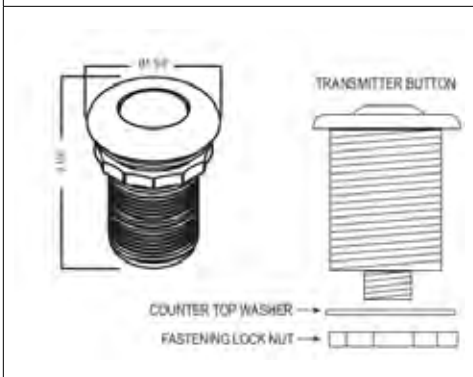
**LS850P Traditional Style Soap/Lotion Dispenser****Suggested Retail Price**

APC	PN	STN	IB
304	335	360	415

GRACELINE

LOMBARDIA

LUX

**AS425 Air Activated Switch Button Only For Waste Disposal**

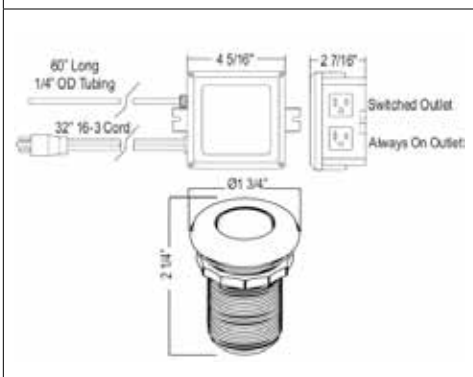
• Does not come with control box, button only

Suggested Retail Price

APC	PN	STN	IB	TCB
97	109	109	109	109

PATRIZIA

PIRELLONE

**AS450 Air Activated Switch Button With Control Box For Waste Disposal**

• Control box with mounting hardware included

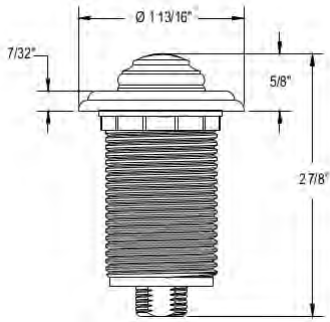
Suggested Retail Price

APC	PN	STN	IB	TCB
292	304	304	304	304

QUARTILE

SAN JULIO

TUARIO



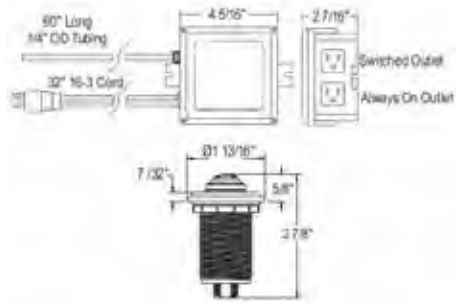
AS525 ROHL® Decorative Luxury Air Activated Switch Button Only For Waste Disposal

Suggested Retail Price

APC	PN	STN	IB	TCB
151	151	171	171	171



- Does not come with control box, button only
- Includes ROHL branding on top of button



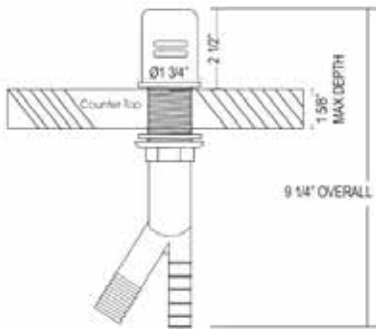
AS550 ROHL® Decorative Luxury Air Activated Switch Button With Control Box For Waste Disposal

Suggested Retail Price

APC	PN	STN	IB	TCB
346	346	366	366	366



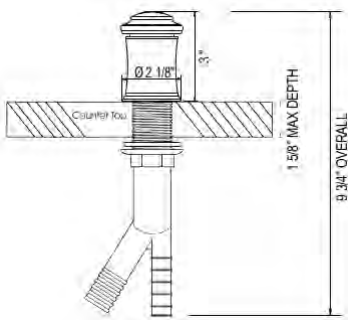
- Control box with mounting hardware included
- Includes ROHL branding on top of button



AG600 Luxury Air Gap

Suggested Retail Price

APC	PN	STN	IB	TCB
68	79	79	79	79



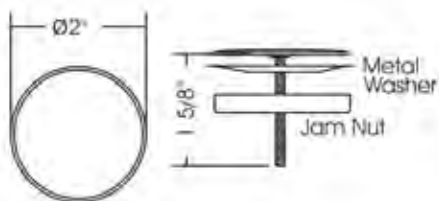
AG700 ROHL® Decorative Luxury Air Gap

Suggested Retail Price

APC	PN	STN	IB	TCB
181	195	195	195	195



- Includes ROHL branding on top of air gap



SHC-1 Sink Hole Cover

Suggested Retail Price

APC	PN	STN	IB	TCB
16	37	37	117	79



- Biscuit coordinates with Shaws® Fireclay Parchment sinks

ITALIAN CAMPO™

Authentically Crafted in Italy

Named for Piazza del Campo in Sienna, Italy, the ROHL® Campo™ Collection celebrates the famous systems of conduits that brings water to the area. In the 14th century, miles of tunnels and aqueducts were built to deliver water to the famous Fonte Gaia – or Fountain of the World. The Campo™ handle and escutcheon design emulates the valve/ stem combination used in the building of industrial conduit systems. Made by northern Italian craftsmen, using know-how passed down through generations.



Handle Options



*Industrial Metal Wheel
IW*



*Industrial Metal Lever
IL*

Available Finishes:



*Polished Chrome
APC*



*Polished Nickel
PN*



*Tuscan Brass®
TCB*



*Satin Nickel
STN*



*Italian Brass
IB*



*Unlacquered Brass
ULB*



*Matte Black
MB*

See product page for available finishes

A3358IWWWSIB

1983

ACQUI

CAMPO

CINQUANTA

GOTHAM

GRACELINE

LOMBARDIA

LUX

PATRIZIA

PIRELLONE

QUARTILE

SAN JULIO

TUARIO

KITCHEN & BAR FAUCETS



A3431
page 44



A3358ILWS
page 44



A3358IWWS
page 44

FILTRATION / OTHER



QL66
page 46



RKIT7517
page 44



GKIT7545
page 45



IL



IW

OTHER CONSIDERATIONS

See product page for available finishes.



LS450
page 47



LS750
page 47



LS950C
page 46



LS2150
page 47

SOAP DISPENSERS



AS450
page 48



AS550
page 48

AIR SWITCH

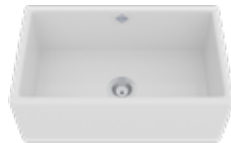


6337
page 6



6497
page 5

GRACELINE



MS3018
Shaws® Price Book



UM3018
Shaws® Price Book

LOMBARDIA

LUX

PATRIZIA

PIRELLONE

QUARTILE

SAN JULIO

TUARIO

SINKS



RSS3518
page 16



RSS3318
page 15



APC



PN



STN



TCB



IB



ULB



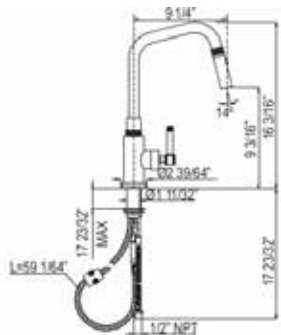
MB



IL



IW



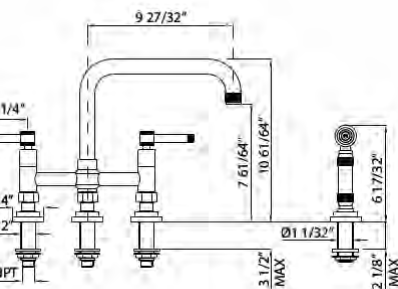
A3431 Campo™ Side Handle Pull-Down Faucet



Suggested Retail Price

Handle	APC	PN	STN	IB	TCB	ULB
IL	954	1,050	1,274	1,355	1,355	1,355

- 1.8 GPM
- Requires 2 1/2" clearance from backsplash to center of faucet hole



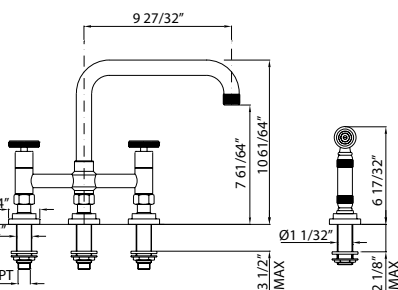
A3358ILWS Campo™ Deck Mount U-Spout Bridge Faucet With Sidespray



Suggested Retail Price

Handle	APC	PN	STN	IB	TCB	ULB
IL	1,223	1,346	1,643	1,738	1,738	1,738

- 1.5 GPM



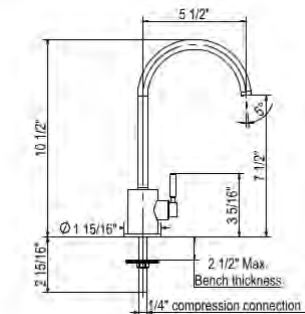
A3358IWWS Campo™ Deck Mount U-Spout 3 Leg Bridge Faucet With Sidespray



Suggested Retail Price

Handle	APC	PN	STN	IB	TCB	ULB
IW	1,223	1,346	1,643	1,738	1,738	1,738

- 1.5 GPM



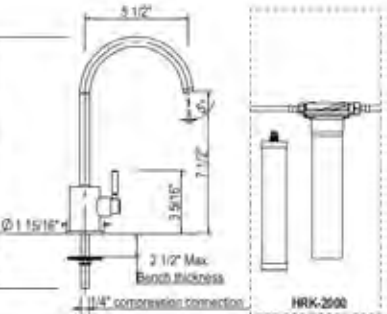
R7517 Lux™ C-Spout Filter Faucet



Suggested Retail Price

Handle	APC	PN	STN	SS	MB
LM	304	335	381	387	396

- .5 GPM at 45 PSI
- Not suitable for R.O. systems or as a hot water dispenser
- Order HRK-2000 filter system to complete



RKIT7517 Lux™ C-Spout Filter Faucet



Suggested Retail Price

Handle	APC	PN	STN	SS	MB
LM	924	955	1,001	1,007	1,016

- .5 GPM at 45 PSI
- Not suitable for R.O. systems or as a hot water dispenser
- Kit includes:
 - R7517
 - HRK-2000



APC



PN



STN



TCB



IB



ULB



MB

1983

**HRF-1000 Arolla™ Replacement Filter Unit Only****Suggested Retail Price**

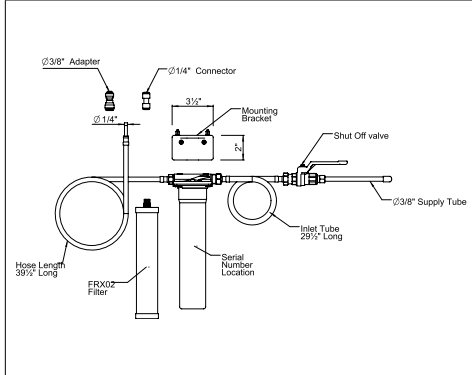
N/A

102

- Replacement filter for HRK-2000 filter system.
- Recommend changing filter every 6 months

ACQUI

CAMPO

**HRK-2000 Arolla™ Inline Filter System Complete With Cartridge****Suggested Retail Price**

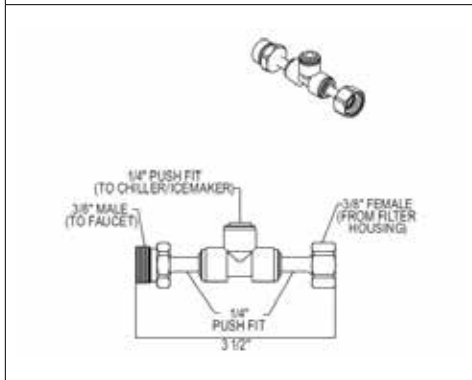
N/A

620

- Does not come with faucet
- For replacement filter, order HRF-1000

CINQUANTA

GOTHAM

**U.1810 Perrin & Rowe® Inline Ice Maker T-Connector****Suggested Retail Price**

N/A

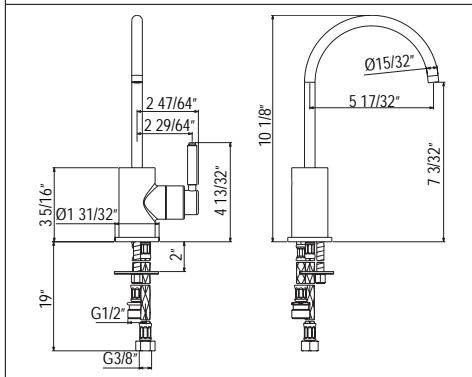
147

- For use with HRK-2000: \$620

GRACELINE

LOMBARDIA

LUX

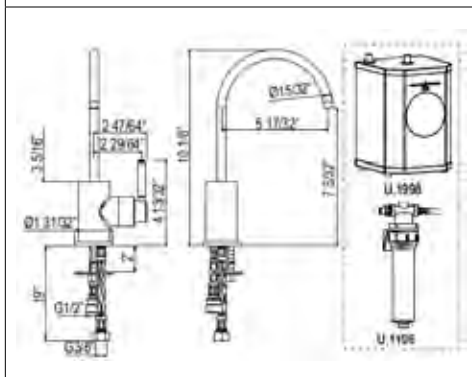
**G7545 Lux™ C-Spout Hot Water Faucet****Suggested Retail Price**

Handle	APC	PN	STN	MB	TCB
LM	321	415	615	615	615

- 5 year warranty
- For use with U.1998 high performance hot water tank and U.1106 filter
- Hot water .5 GPM at 45 PSI
- Not compatible with ISE tanks

PATRIZIA

PIRELLONE

**GKIT7545 Lux™ C-Spout Hot Water Faucet, Tank And Filter Kit****Suggested Retail Price**

Handle	APC	PN	STN	MB	TCB
LM	1,526	1,620	1,820	1,820	1,820

- Kit includes:
 - U.1998 Hot water tank
 - G7545LM-2 Hot water faucet
 - U.1106 Hot water filter
- Order U.PRF1 for hot water replacement filter cartridge
- Not compatible with ISE tanks

QUARTILE

SAN JULIO

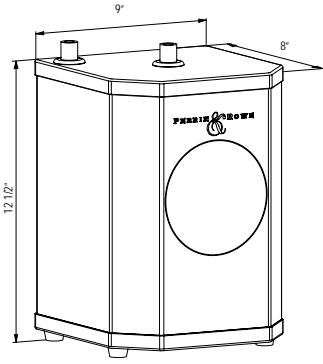
TUUARIO



IL



IW



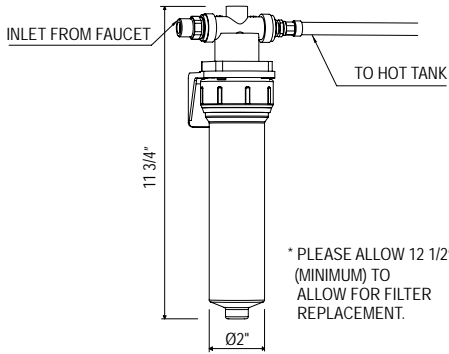
U.1998 High Performance Hot Water Tank



- 3-Year limited warranty
- Not compatible with ISE type dispensers

Suggested Retail Price

N/A
861



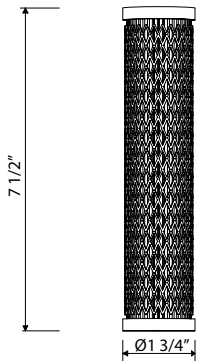
U.1106 Hot Water Inline Filter With Cartridge



- Order U.PRF1 for hot water replacement filter cartridge every 6 months: \$119

Suggested Retail Price

N/A
344



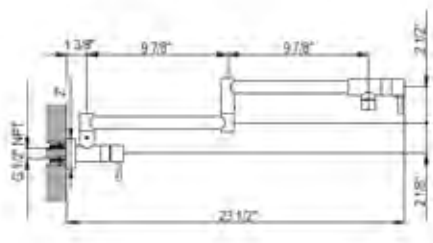
U.PRF1 Hot Water Replacement Filter Cartridge



- Designed for use with U.1106 hot water filtration system
- Recommended 6 month replacement

Suggested Retail Price

N/A
119



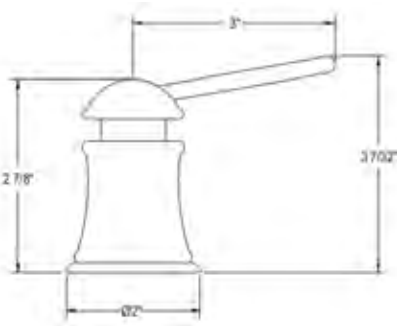
QL66 Modern Pot Filler



- 1.8 GPM

Suggested Retail Price

Handle	APC	PN	STN	MB
L	1,440	1,644	2,016	2,016



LS950C Transitional Soap/Lotion Dispenser



Suggested Retail Price

APC	PN	STN	TCB
184	184	210	210



APC



PN



STN



TCB



IB

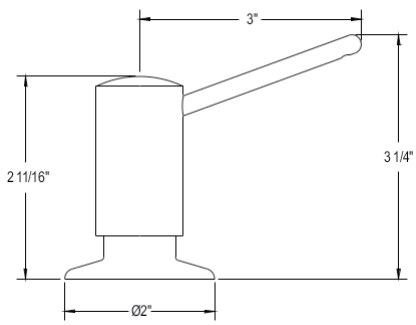


ULB



MB

1983

**LS450 Lux™ II Soap/Lotion Dispenser**

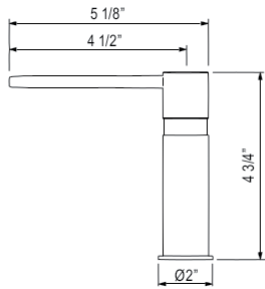
Suggested Retail Price

APC	PN	STN	SS	MB
152	152	175	164	175



ACQUI

CAMPO

**LS2150 Modern Soap/Lotion Dispenser**

Suggested Retail Price

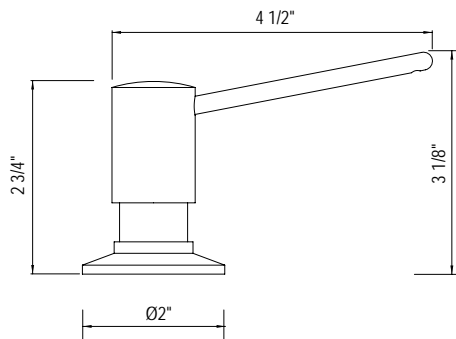
APC	PN	STN	MB	SG
417	459	502	438	651



- Deep deck extension available, order part: LS850PEXT

CINQUANTA

GOTHAM

**LS750 Lux™ Soap/Lotion Dispenser**

Suggested Retail Price

APC	PN	STN
213	264	266

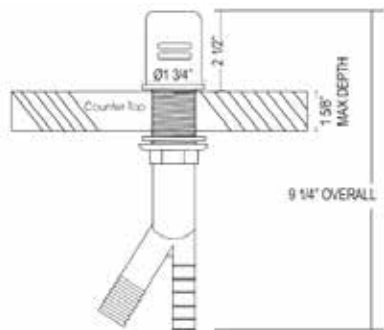


- Deep deck extension available, order part: LS850PEXT

GRACELINE

LOMBARDIA

LUX

**AG600 Air Gap**

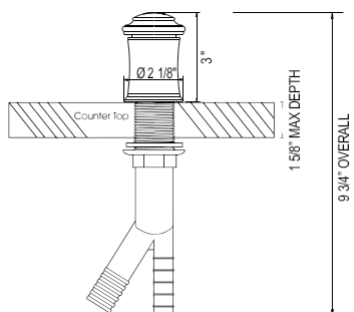
Suggested Retail Price

APC	PN	STN	SS	IB	EB	MB	SEG	SG	TCB
68	79	79	87	79	168	79	113	364	79



PATRIZIA

PIRELLONE

**AG700 ROHL® Decorative Air Gap**

Suggested Retail Price

APC	PN	STN	IB	EB	MB	TCB
181	195	195	195	195	195	195



- Includes ROHL branding on top of air gap

QUARTILE

SAN JULIO

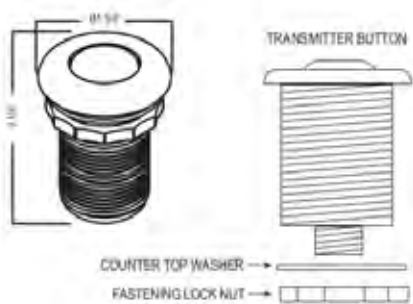
TUARIO



IL



IW



AS425 Air Activated Switch Button Only For Waste Disposal

Suggested Retail Price

APC	PN	STN	SS	IB	EB	MB	SEG	SG	TCB
97	109	109	106	109	110	109	123	311	109



- Does not come with control box, button only



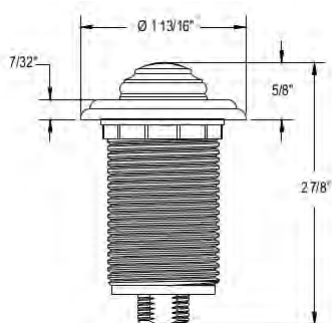
AS450 Air Activated Switch Button With Control Box For Waste Disposal

Suggested Retail Price

APC	PN	STN	SS	IB	EB	MB	SEG	SG	TCB
292	304	304	301	304	305	304	318	506	304



- Control box with mounting hardware included



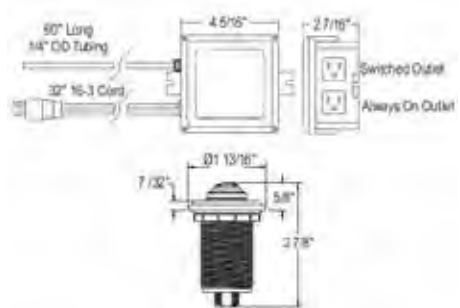
AS525 ROHL® Decorative Air Activated Switch Button Only For Waste Disposal

Suggested Retail Price

APC	PN	STN	IB	MB	TCB	ULB
151	151	171	171	170	171	165



- Does not come with control box, button only
- Includes ROHL branding on top of button



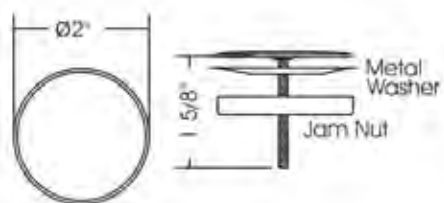
AS550 ROHL® Decorative Air Activated Switch Button With Control Box For Waste Disposal

Suggested Retail Price

APC	PN	STN	IB	EB	MB	SEG	TCB	ULB
346	346	366	366	366	365	435	366	360



- Control box with mounting hardware included
- Includes ROHL branding on top of button



SHC-1 Sink Hole Cover

Suggested Retail Price

APC	PN	STN	IB	EB	MB	TCB	BK	WH	BS
16	37	37	117	79	27	79	27	27	27



- Biscuit coordinates with Shaws® Fireclay Parchment sinks

CINQUANTA™

Authentically Crafted in Italy

Celebrating the 50th anniversary of its maker, the Cinquanta™ Collection was conceived in a quaint Northern Italian village overlooking Lago d'Orta. This traditionally-styled Collection captures the spirit of a country Italian villa with its dramatic, single column design.



Handle Options



Metal Lever
LM



Porcelain Lever
LP

Available Finishes:



Polished Chrome
APC



Polished Nickel
PN



Tuscan Brass®
TCB



Satin Nickel
STN



Italian Brass
IB

See product page for available finishes

A3650LMWSSSTN

1983

ACQUI

CAMPO

CINQUANTA

GOTHAM

GRACELINE

LOMBARDIA

LUX

PATRIZIA

PIRELLONE

QUARTILE

SAN JULIO

TUARIO

1983

ACQUI

CAMPO

CINQUANTA

GOTHAM

GRACELINE

LOMBARDIA

LUX

PATRIZIA

PIRELLONE

QUARTILE

SAN JULIO

TUARIO

KITCHEN & BAR FAUCETS



A3650/6.5
page 52



A3650WS
page 52

FILTRATION / OTHER



A1451
page



A1445
page 55



AKIT1435
page 53



GKIT1445
page 54



OTHER CONSIDERATIONS

See product page for available finishes.



LS650C
page 55



LS850P
page 55

SOAP DISPENSERS



AS450
page 56



AS550
page 56

AIR SWITCH



6307
page 4



6337
page 6



RC4018
Shaws® Price Book



MS3018
Shaws® Price Book

SINKS

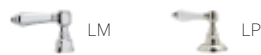


RSS3118
page 16



RSS3018
page 15





1983

ACQUI

CAMPO

CINQUANTA

GOTHAM

GRACELINE

LOMBARDIA

LUX

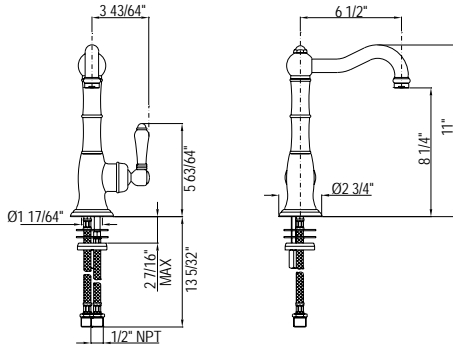
PATRIZIA

PIRELLONE

QUARTILE

SAN JULIO

TUARIO



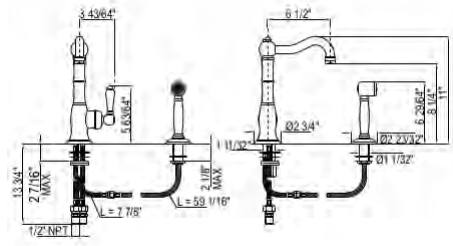
A3650/6.5 Cinquanta™ Column Spout Bar/Food Prep Faucet



Suggested Retail Price

Handle	APC	PN	STN	IB	TCB
LM	941	1,036	1,177	1,337	1,337
LP	941	1,036	1,177	1,337	1,337

- 1.5 GPM
- Requires 2 1/2" clearance from backsplash to center of faucet hole
- 4" deep deck extension kit, order part # C7555EXT



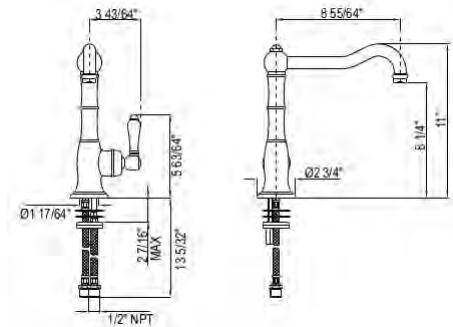
A3650/6.5WS Cinquanta™ Column Spout Bar/Food Prep Faucet With Sidespray



Suggested Retail Price

Handle	APC	PN	STN	IB	TCB
LM	1,095	1,205	1,369	1,555	1,555
LP	1,095	1,205	1,369	1,555	1,555

- 1.5 GPM
- Requires 2 1/2" clearance from backsplash to center of faucet hole
- 4" deep deck extension kit, order part # C7555EXT



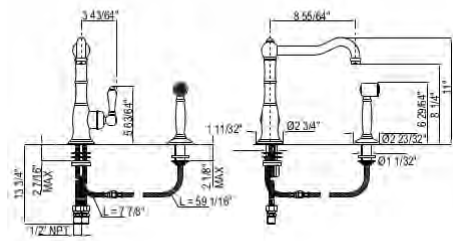
A3650 Cinquanta™ Column Spout Kitchen Faucet



Suggested Retail Price

Handle	APC	PN	STN	IB	TCB
LM	941	1,036	1,177	1,337	1,337
LP	941	1,036	1,177	1,337	1,337

- 1.5 GPM
- Requires 2 1/2" clearance from backsplash to center of faucet hole
- 4" deep deck extension kit, order part # C7555EXT



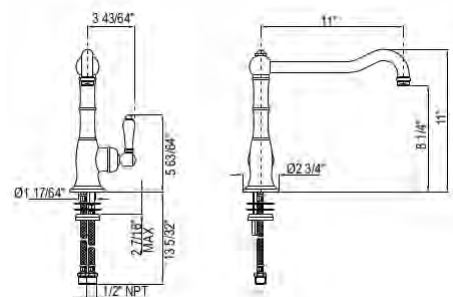
A3650WS Cinquanta™ Column Spout Kitchen Faucet With Sidespray



Suggested Retail Price

Handle	APC	PN	STN	IB	TCB
LM	1,095	1,205	1,369	1,555	1,555
LP	1,095	1,205	1,369	1,555	1,555

- 1.5 GPM
- Requires 2 1/2" clearance from backsplash to center of faucet hole
- 4" deep deck extension kit, order part # C7555EXT



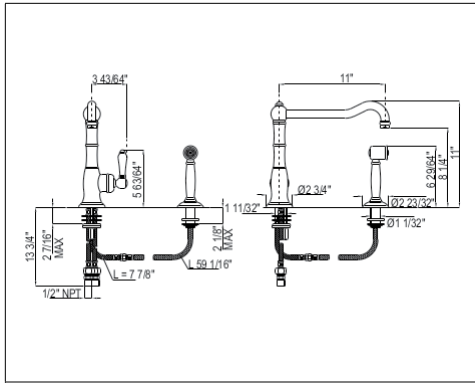
A3650/11 Cinquanta™ Column Spout Kitchen Faucet With Extended Spout



Suggested Retail Price

Handle	APC	PN	STN	IB	TCB
LM	917	1,009	1,147	1,303	1,303
LP	941	1,036	1,177	1,337	1,337

- 1.5 GPM
- Requires 2 1/2" clearance from backsplash to center of faucet hole
- 4" deep deck extension kit, order part # C7555EXT



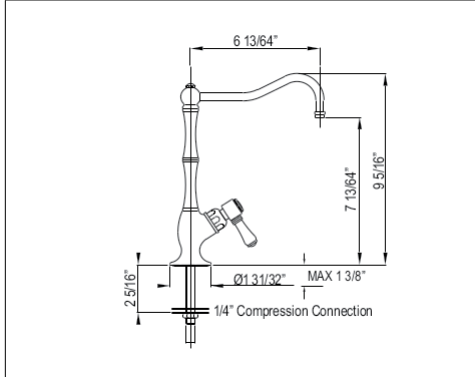
A3650/11WS Cinquanta™ Column Spout Kitchen Faucet With Sidespray & Extended Spout



- 1.5 GPM
- Requires 2 1/2" clearance from backsplash to center of faucet hole
- 4" deep deck extension kit, order part # C7555EXT

Suggested Retail Price

Handle	APC	PN	STN	IB	TCB
LM	1,095	1,205	1,369	1,555	1,555
LP	1,095	1,205	1,369	1,555	1,555



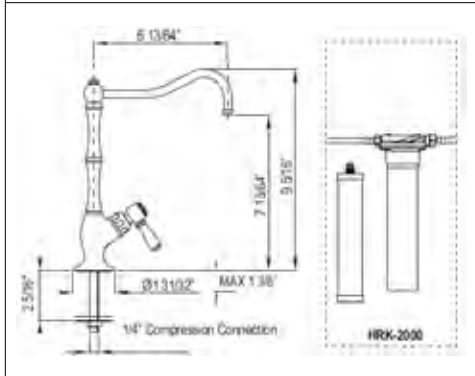
A1435 Acqui® Column Spout Filter Faucet



- Filtered water .5 GPM at 45 PSI
- Designed to work with our HRK-2000 filtration system
- 1 3/8" max hole cutout
- Not suitable for R.O. systems or instant hot systems

Suggested Retail Price

Handle	APC	PN	STN	IB	TCB
LM	395	395	572	572	572
LP	395	395	572	572	572



AKIT1435 Acqui® Column Spout Filter Faucet



- Filtered water .5 GPM at 45 PSI
- Designed to work with our HRK-2000 filtration system
- Not suitable for R.O. systems or instant hot systems
- Kit includes:
 - A1435
 - HRK-2000

Suggested Retail Price

Handle	APC	PN	STN	IB	TCB	ULB
LM	1,015	1,015	1,192	1,192	1,192	1,192
LP	1,015	1,015	1,192	1,192	1,192	1,192



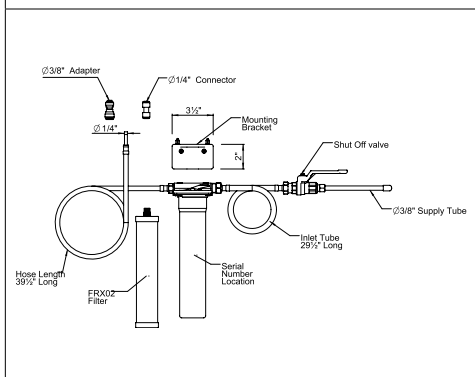
HRF-1000 Arolla™ Replacement Filter Unit Only



- Replacement filter for HRK-2000 filter system.
- Recommend changing filter every 6 months

Suggested Retail Price

N/A
102



HRK-2000 Arolla™ Inline Filter System Complete With Cartridge



- Does not come with faucet
- For replacement filter, order HRF-1000

Suggested Retail Price

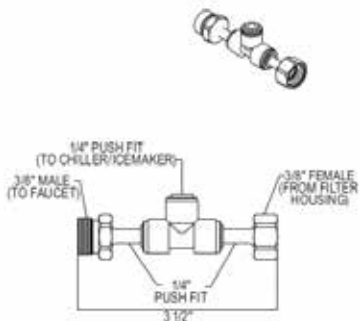
N/A
620



U.1810 Perrin & Rowe® Inline Ice Maker T-Connector

Suggested Retail Price

N/A
147

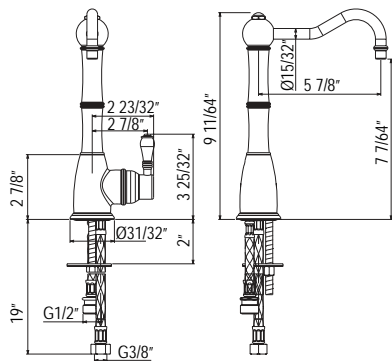


- For use with HRK-2000: \$620

G1445 Acqui® Column Spout Hot Water Faucet

Suggested Retail Price

Handle	APC	PN	STN	IB	TCB	ULB
LM	426	551	615	655	615	615

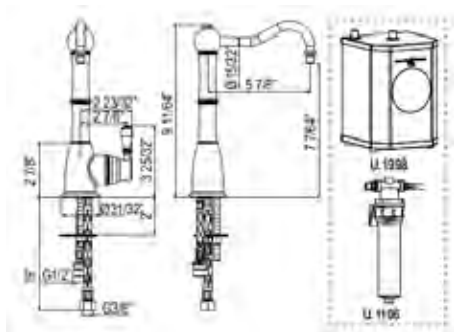


- 5 year warranty
- For use with U.1998 high performance hot water tank and U.1106 filter
- Hot water .5 GPM at 45 PSI
- Not compatible with ISE tanks

GKIT1445 Acqui® Column Spout Hot Water Faucet, Tank And Filter Kit

Suggested Retail Price

Handle	APC	PN	STN	IB	TCB	ULB
LM	1,631	1,756	1,820	1,860	1,820	1,820

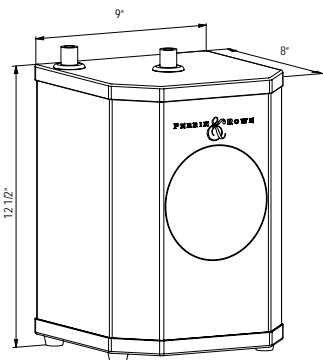


- Kit includes:
 - U.1998 Hot water tank
 - G1445LM-2 Hot water faucet
 - U.1106 Hot water filter
- Order U.PRF1 for hot water replacement filter cartridge
- Not compatible with ISE tanks

U.1998 High Performance Hot Water Tank

Suggested Retail Price

N/A
861

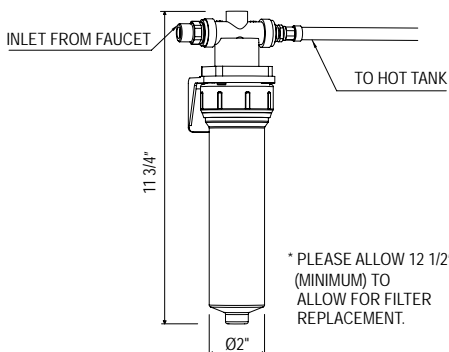


- 3-Year limited warranty
- Not compatible with ISE type dispensers

U.1106 Hot Water Inline Filter With Cartridge

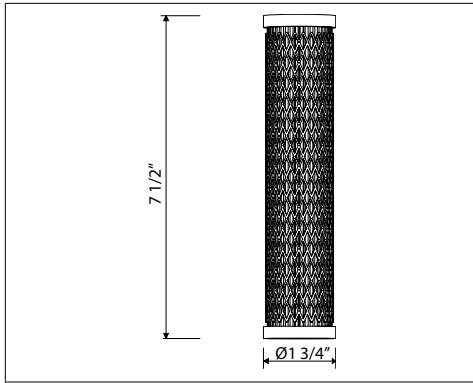
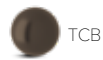
Suggested Retail Price

N/A
344



- Order U.PRF1 for hot water replacement filter cartridge every 6 months: \$119

* PLEASE ALLOW 12 1/2" (MINIMUM) TO ALLOW FOR FILTER REPLACEMENT.



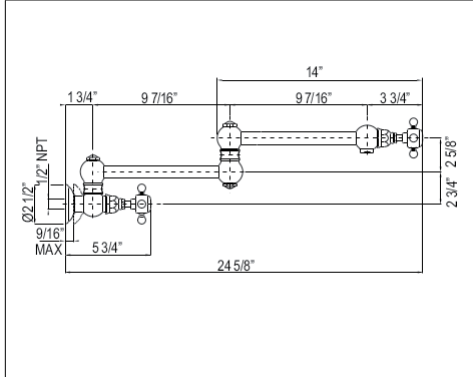
U.PRF1 Hot Water Replacement Filter Cartridge



Suggested Retail Price

N/A
119

- Designed for use with U.1106 hot water filtration system
- Recommended 6 month replacement



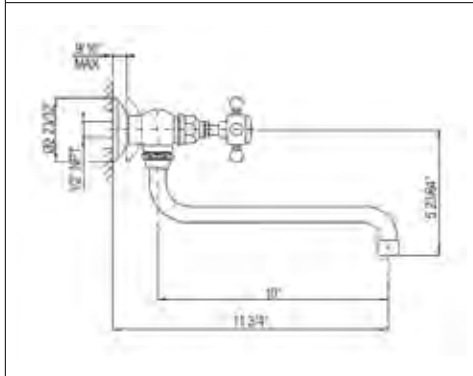
A1451 Wall Mount Swing Arm Pot Filler



Suggested Retail Price

Handle	APC	PN	STN	IB	TCB	ULB
LM	1,103	1,214	1,406	1,567	1,567	1,567
LP	1,103	1,214	1,406	1,567	1,567	1,567
X	1,103	1,214	1,406	1,567	1,567	1,567
XM	1,103	1,214	1,406	1,567	1,567	1,567

- 1.5 GPM



A1445 Wall Mount 11 3/4" Reach Pot Filler



Suggested Retail Price

Handle	APC	PN	STN	IB	TCB
X	338	373	469	481	481
XM	338	373	469	481	481

- 1.5 GPM



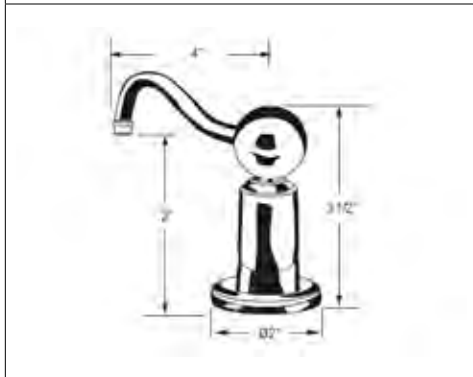
LS650C Soap/Lotion Dispenser



Suggested Retail Price

APC	PN	STN	TCB
245	269	302	302

- Deep deck extension available, order part: LS850PEXT

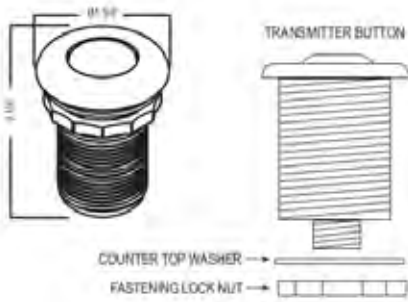


LS850P Traditional Style Soap/Lotion Dispenser



Suggested Retail Price

APC	PN	STN	IB	ULB
304	335	360	415	456



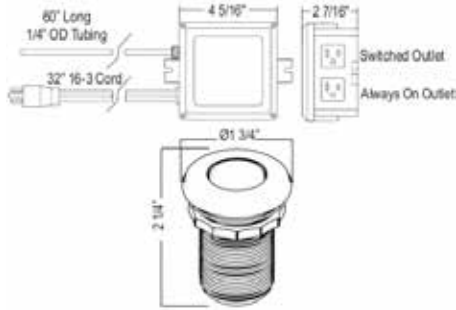
AS425 Air Activated Switch Button Only For Waste Disposal



- Does not come with control box, button only

Suggested Retail Price

APC	PN	STN	IB	TCB
97	109	109	109	109



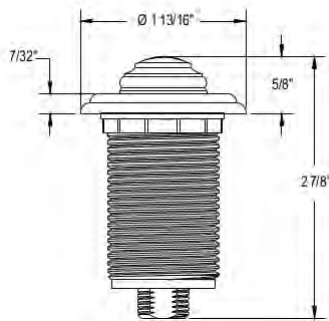
AS450 Air Activated Switch Button With Control Box For Waste Disposal



- Control box with mounting hardware included

Suggested Retail Price

APC	PN	STN	IB	TCB
292	304	304	304	304



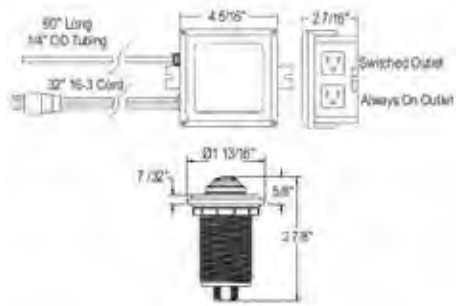
AS525 ROHL® Decorative Luxury Air Activated Switch Button Only For Waste Disposal



- Does not come with control box, button only
- Includes ROHL branding on top of button

Suggested Retail Price

APC	PN	STN	IB	TCB	ULB
151	151	171	171	171	165



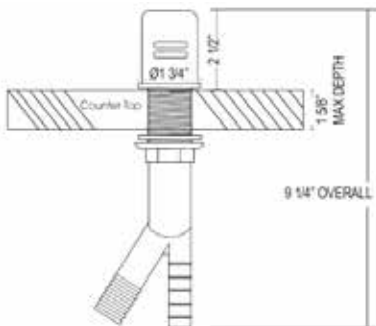
AS550 ROHL® Decorative Luxury Air Activated Switch Button With Control Box For Waste Disposal



- Control box with mounting hardware included
- Includes ROHL branding on top of button

Suggested Retail Price

APC	PN	STN	IB	TCB	ULB
346	346	366	366	366	360



AG600 Luxury Air Gap

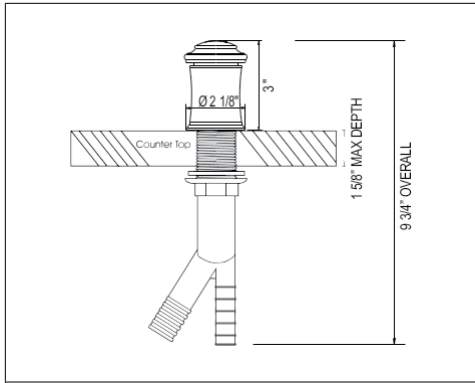


Suggested Retail Price

APC	PN	STN	IB	TCB
68	79	79	79	79



1983



AG700 ROHL® Decorative Luxury Air Gap

Suggested Retail Price

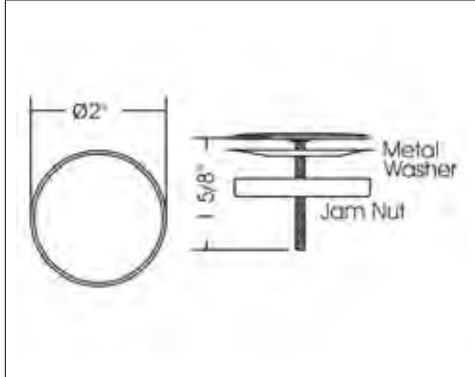
APC	PN	STN	TCB
181	195	195	195



- Includes ROHL branding on top of air gap

ACQUI

CAMPO



SHC-1 Sink Hole Cover

Suggested Retail Price

APC	PN	STN	IB	TCB
16	37	37	117	79



- Biscuit coordinates with Shaws® Fireclay Parchment sinks

CINQUANTA

GOTHAM

GRACELINE

LOMBARDIA

LUX

PATRIZIA

PIRELLONE

QUARTILE

SAN JULIO

TUARIO

GOTHAM™

Authentically Crafted in the USA

In an exciting contrast to other ROHL® collections emphasizing European style, this collection celebrates a glamorous age in American culture. The Gotham™ Collection, designed by Michael Berman, pays homage to American metropolises like New York City and their role in setting the pace for “sky-reaching” architecture in the early 19th century. The collection mixes a blend of Art Deco and “Streamline Moderne” influences, evoking the style of structures like the Chrysler Building, Empire State Building and RCA Building at Rockefeller Center. The skyscrapers of Manhattan marked the summit of the Art Deco style; they became the tallest and most recognizable modern buildings in the world – and were a key influence of the Gotham™ Collection.



Handle Options



Available Finishes:



Polished Chrome
APC



Polished Nickel
PN



Satin Nickel
STN

See product page for available finishes

MB7928LMSTN

1983

ACQUI

CAMPO

CINQUANTA

GOTHAM

GRACELINE

LOMBARDIA

LUX

PATRIZIA

PIRELLONE

QUARTILE

SAN JULIO

TUARIO

1983

ACQUI

CAMPO

CINQUANTA

GOTHAM

GRACELINE

LOMBARDIA

LUX

PATRIZIA

PIRELLONE

QUARTILE

SAN JULIO

TUARIO

KITCHEN & BAR FAUCETS



MB7927
page 62



MB7928
page 62

FILTRATION / OTHER



MBKIT7917
page 62



MBKIT7945
page 63

OTHER CONSIDERATIONS

See product page for available finishes.



LS3550
page 64



AS450
page 64



AS550
page 65



6307
page 4



NEW

AL3620AF1
page 6



RC3018
Shaws® Price Book



UM3018
Shaws® Price Book



RSA3018
page 19



RSS3318
page 15



APC



PN



STN

SOAP DISPENSERS

AIR SWITCH

SINKS

1983

ACQUI

CAMPO

CINQUANTA

GOTHAM

GRACELINE

LOMBARDIA

LUX

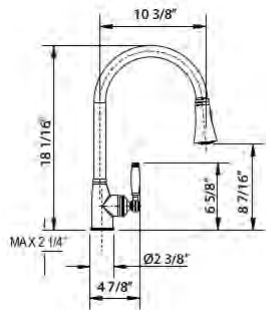
PATRIZIA

PIRELLONE

QUARTILE

SAN JULIO

TUARIO



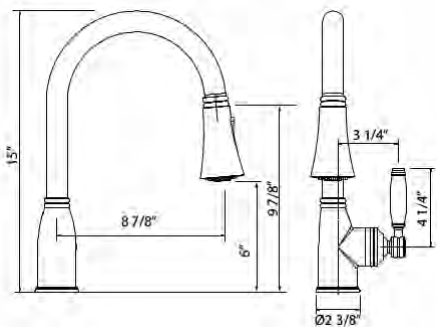
MB7928 Gotham™ High-Spout Pull-Down Kitchen Faucet



Suggested Retail Price

Handle	APC	PN	STN
LM	959	1,055	1,199

- Requires 3 1/2" clearance from backsplash to center of faucet hole
- 1.8 GPM



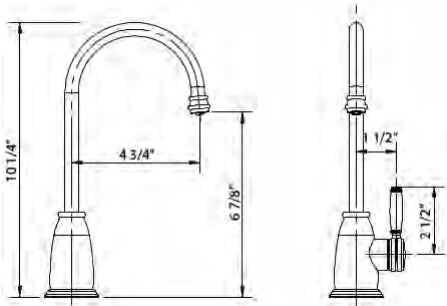
MB7927 Gotham™ Pull-Down Bar/Food Prep Faucet



Suggested Retail Price

Handle	APC	PN	STN
LM	947	1,042	1,184

- 1.8 GPM
- Requires 3 1/2" clearance from backsplash to center of faucet hole
- Matching bar/food prep faucet for MB7928



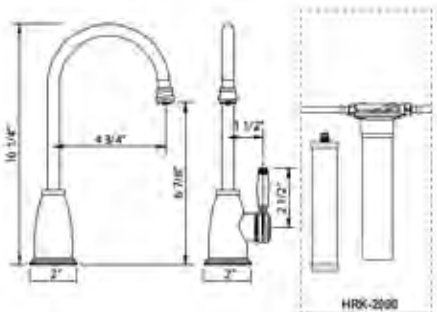
MB7917 Gotham™ C-Spout Filter Faucet



Suggested Retail Price

Handle	APC	PN	STN
LM	394	394	446

- 5 GPM at 45 PSI
- Not suitable for R.O. systems or as a hot water dispenser
- Designed to use with HRK-2000



MBKIT7917 Gotham™ C-Spout Filter Faucet



Suggested Retail Price

Handle	APC	PN	STN
LM	1,014	1,014	1,066

- 5 GPM at 45 PSI
- Not suitable for R.O. systems or as a hot water dispenser
- Designed to use with HRK-2000
- Kit includes:
 - MB7917
 - HRK-2000



HRF-1000 Arolla™ Replacement Filter Unit Only



Suggested Retail Price

Handle	APC	PN	STN
			N/A
			102

- Replacement filter for HRK-2000 filter system.
- Recommend changing filter every 6 months



APC

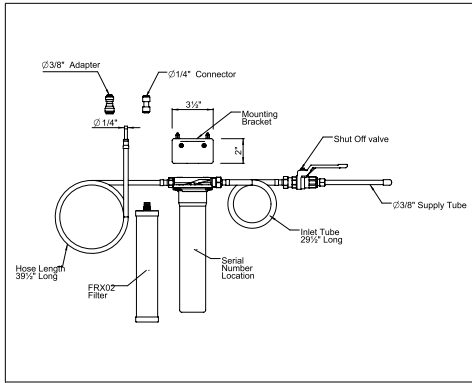


PN



STN

1983



HRK-2000 Arolla™ In-line Filter System Complete With Cartridge



- Does not come with faucet
- For replacement filter, order HRF-1000

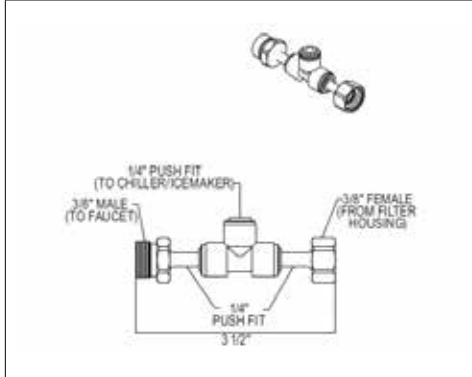
Suggested Retail Price

N/A

620

ACQUI

CAMPO



U.1810 Perrin & Rowe® In-line Ice Maker T-Connector



- For use with HRK-2000: \$620

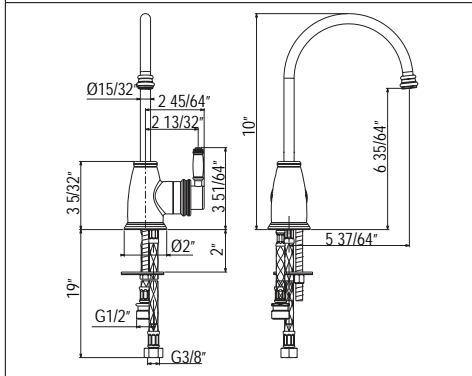
Suggested Retail Price

N/A

147

CINQUANTA

GOTHAM



MB7945 Gotham™ C-Spout Hot Water Faucet



- 5 year warranty
- For use with U.1998 high performance hot water tank and U.1106 filter
- Hot water .5 GPM at 45 PSI
- Not compatible with ISE tanks
- Not suitable for R.O. systems or instant hot systems

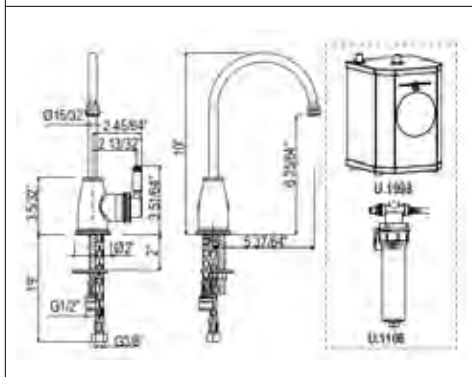
Suggested Retail Price

Handle	APC	PN	STN
LM	374	483	615

GRACELINE

LOMBARDIA

LUX



MBKIT7945 Gotham™ C-Spout Hot Water Faucet, Tank And Filter Kit



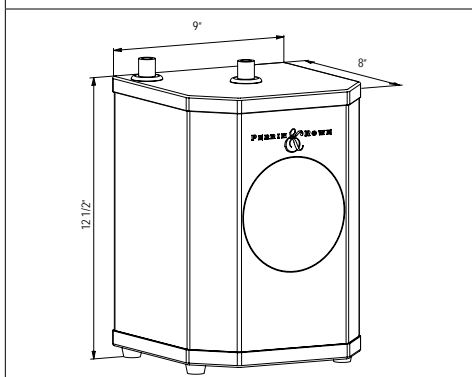
- 5 year warranty on faucet, 3 years on tank
- Order U.PRF1 for hot water replacement filter cartridge
- Hot water .5 GPM at 45 PSI
- Not compatible with ISE tanks
- Not suitable for R.O. systems or instant hot systems

Suggested Retail Price

Handle	APC	PN	STN
LM	1,579	1,688	1,820

PATRIZIA

PIRELLONE



U.1998 High Performance Hot Water Tank



- 3-Year limited warranty
- Not compatible with ISE type dispensers

Suggested Retail Price

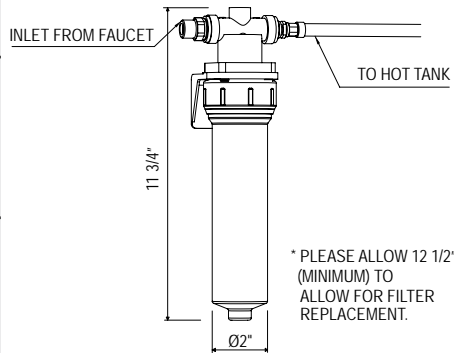
N/A

861

QUARTILE

SAN JULIO

TUUARIO



U.1106 Hot Water Inline Filter With Cartridge

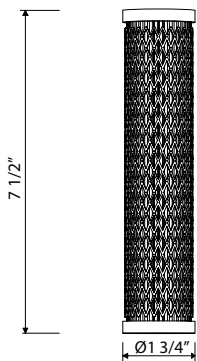
Suggested Retail Price
N/A

344



- Order U.PR.F1 for hot water replacement filter cartridge every 6 months: \$119

* PLEASE ALLOW 12 1/2" (MINIMUM) TO ALLOW FOR FILTER REPLACEMENT.



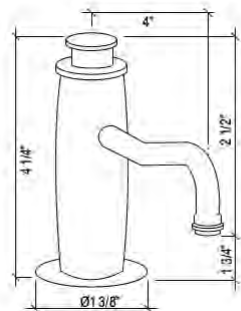
U.PR.F1 Hot Water Replacement Filter Cartridge

Suggested Retail Price
N/A

119



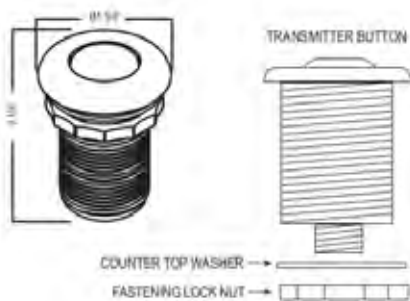
- Designed for use with U.1106 hot water filtration system
- Recommended 6 month replacement



LS3550 Gotham™ Soap/Lotion Dispenser

Suggested Retail Price

APC	PN	STN
402	440	479



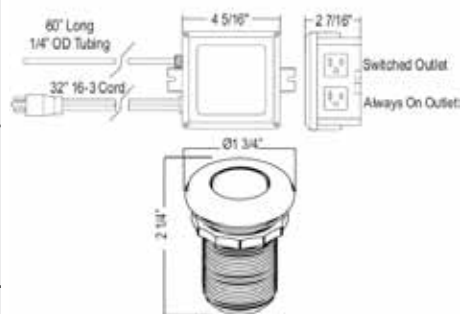
AS425 Air Activated Switch Button Only For Waste Disposal

Suggested Retail Price

APC	PN	STN
97	109	109



- Does not come with control box, button only



AS450 Air Activated Switch Button With Control Box For Waste Disposal

Suggested Retail Price

APC	PN	STN
292	304	304



- Control box with mounting hardware included



APC

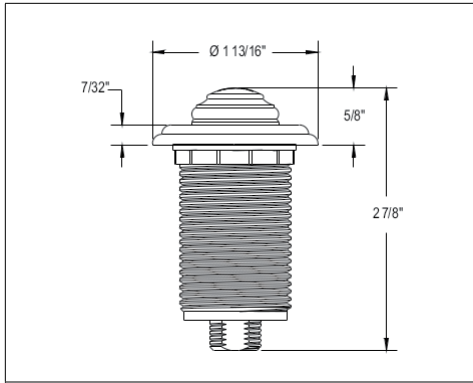


PN



STN

1983



AS525 ROHL® Decorative Luxury Air Activated Switch Button Only For Waste Disposal



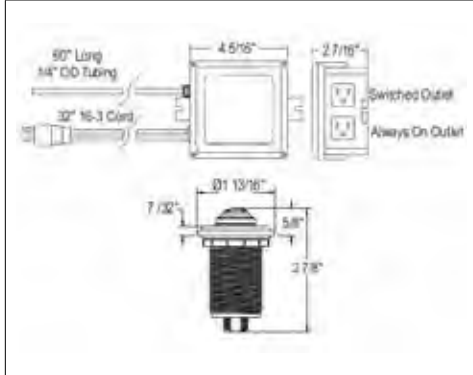
- Does not come with control box, button only
- Includes ROHL branding on top of button

Suggested Retail Price

APC	PN	STN
151	151	171

ACQUI

CAMPO



AS550 ROHL® Decorative Luxury Air Activated Switch Button With Control Box For Waste Disposal



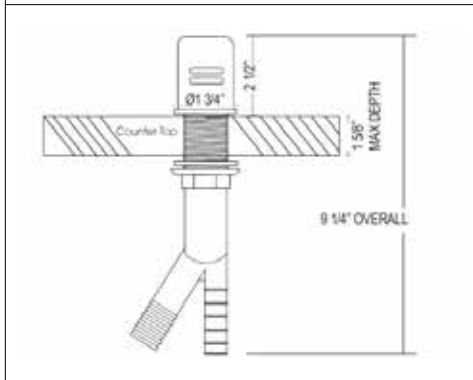
- Control box with mounting hardware included
- Includes ROHL branding on top of button

Suggested Retail Price

APC	PN	STN
346	346	366

CINQUANTA

GOTHAM



AG600 Luxury Air Gap

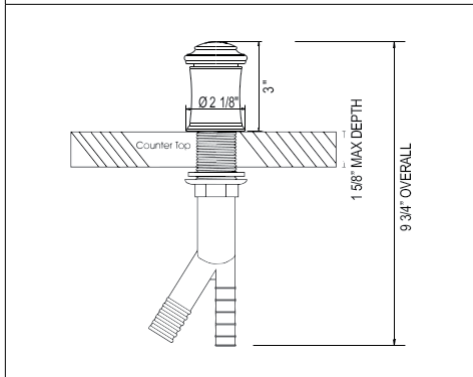


Suggested Retail Price

APC	PN	STN
68	79	79

GRACELINE

LOMBARDIA



AG700 ROHL® Decorative Luxury Air Gap



- Includes ROHL branding on top of air gap

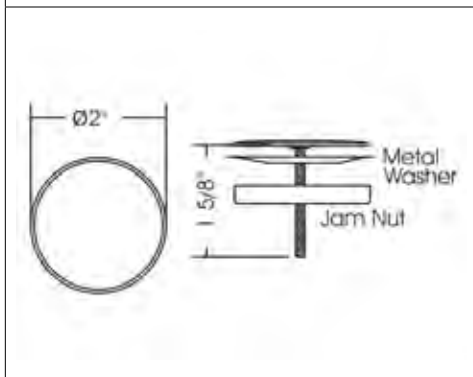
Suggested Retail Price

APC	PN	STN
181	195	195

LUX

PATRIZIA

PIRELLONE



SHC-1 Sink Hole Cover



- Biscuit coordinates with Shaws® Fireclay Parchment sinks

Suggested Retail Price

APC	PN	STN
16	37	37

QUARTILE

SAN JULIO

TUUARIO

GRACELINE®

Renowned designer Michael Berman created his American Moderne collection exclusively for ROHL®. In an exciting contrast to other ROHL® collections emphasizing European style, this collection celebrates a glamorous age in American culture. American Moderne is a transitional style combining modern elements with those from the era when transatlantic ocean liners and transcontinental train travel were in their heyday, and Hollywood was in its prime. The Graceline® Collection, reflects Berman's appreciation for streamlined design, featuring sleek lines and industrial details. Its name is inspired by the luxury ocean liners of the 20's and 30's, once considered the epitome of transatlantic travel. Graceline® — the perfect blend of glam with industrial marvel!



Handle Options



Available Finishes:



See product page for available finishes

MB7930LMMBG

1983

ACQUI

CAMPO

CINQUANTA

GOTHAM

GRACELINE

LOMBARDIA

LUX

PATRIZIA

PIRELLONE

QUARTILE

SAN JULIO

TUARIO

1983

ACQUI

CAMPO

CINQUANTA

GOTHAM

GRACELINE

LOMBARDIA

LUX

PATRIZIA

PIRELLONE

QUARTILE

SAN JULIO

TUARIO

KITCHEN & BAR FAUCETS



MB7930S
page 70



MB7930
page 70

FILTRATION / OTHER



MBKIT7917
page 70



MBKIT7945
page 71

OTHER CONSIDERATIONS

See product page for available finishes.



LS3550
page 72



AS450
page 72



AS550
page 73



6337
page 6



6497
page 5



RC3018
Shaws® Price Book



UM3018
Shaws® Price Book



RSA3018
page 19



RSS3318
page 15

SOAP DISPENSERS

AIR SWITCH

SINKS

1983

ACQUI

CAMPO

CINQUANTA

GOTHAM

GRACELINE

LOMBARDIA

LUX

PATRIZIA

PIRELLONE

QUARTILE

SAN JULIO

TUARIO



1983

ACQUI

CAMPO

CINQUANTA

GOTHAM

GRACELINE

LOMBARDIA

LUX

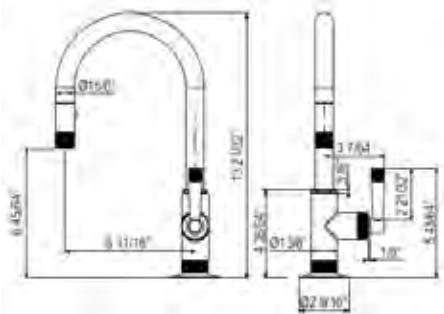
PATRIZIA

PIRELLONE

QUARTILE

SAN JULIO

TUARIO



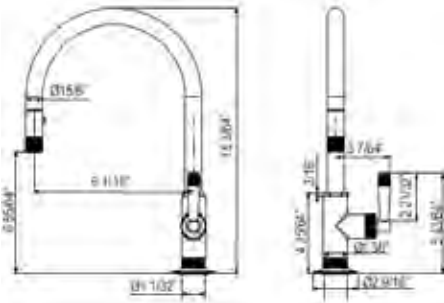
MB7930S Graceline® Pull-Down Bar/Food Prep Faucet



Suggested Retail Price

Handle	APC	PN	STN	MBG
LM	933	1,027	1,166	1,260

- 1.8 GPM
- Requires 2 1/2" clearance from backsplash to center of faucet hole
- Matching bar/prep faucet for MB7930



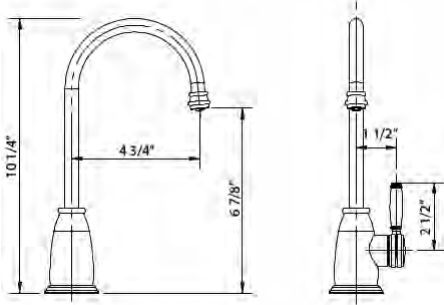
MB7930 Graceline® Pull-Down Kitchen Faucet



Suggested Retail Price

Handle	APC	PN	STN	MBG
LM	933	1,027	1,166	1,260

- 1.8 GPM
- Requires 2 1/2" clearance from backsplash to center of faucet hole



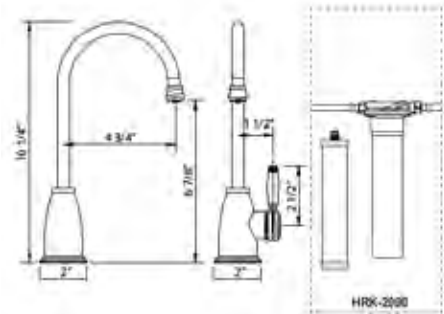
MB7917 Gotham™ C-Spout Filter Faucet



Suggested Retail Price

Handle	APC	PN	STN
LM	394	394	446

- 5 GPM at 45 PSI
- Not suitable for R.O. systems or as a hot water dispenser
- Designed to use with HRK-2000



MBKIT7917 Gotham™ C-Spout Filter Faucet



Suggested Retail Price

Handle	APC	PN	STN
LM	1,014	1,014	1,066

- 5 GPM at 45 PSI
- Not suitable for R.O. systems or as a hot water dispenser
- Designed to use with HRK-2000
- Kit includes:
 - MB7917
 - HRK-2000



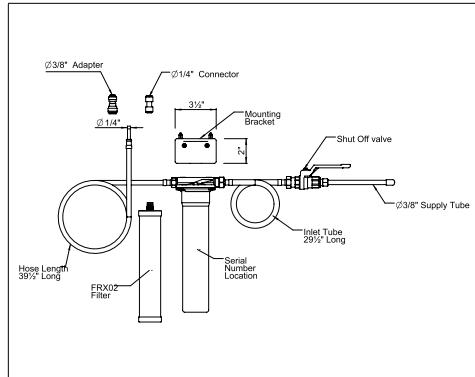
HRF-1000 Arolla™ Replacement Filter Unit Only



Suggested Retail Price

N/A
102

- Replacement filter for HRK-2000 filter system.
- Recommend changing filter every 6 months



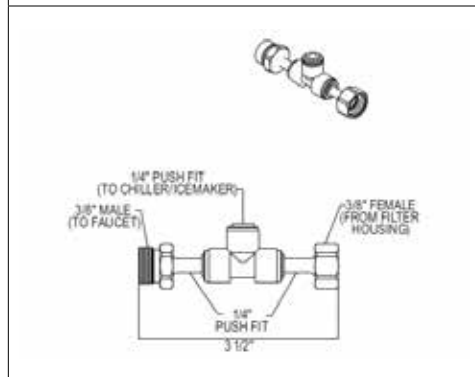
HRK-2000 Arolla™ Inline Filter System Complete With Cartridge



- Does not come with faucet
- For replacement filter, order HRF-1000

Suggested Retail Price

	N/A
	620



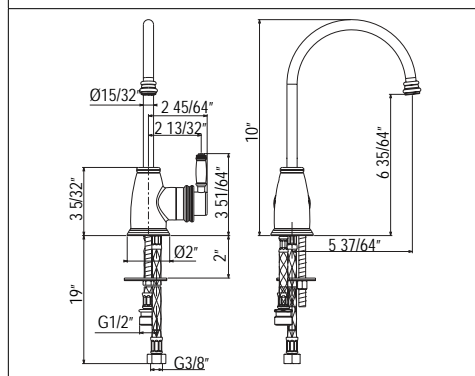
U.1810 Perrin & Rowe® Inline Ice Maker T-Connector



- For use with HRK-2000: \$620

Suggested Retail Price

	N/A
	147



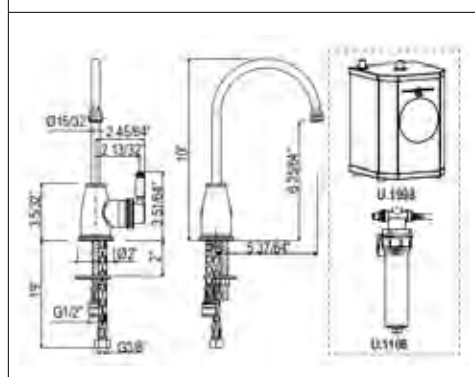
MB7945 Gotham™ C-Spout Hot Water Faucet



- 5 year warranty
- For use with U.1998 high performance hot water tank and U.1106 filter
- Hot water .5 GPM at 45 PSI
- Not compatible with ISE tanks
- Not suitable for R.O. systems or instant hot systems

Suggested Retail Price

Handle	APC	PN	STN
LM	374	483	615



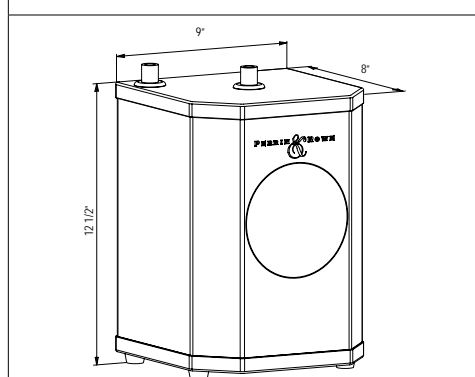
MBKIT7945 Gotham™ C-Spout Hot Water Faucet, Tank And Filter Kit



- 5 year warranty on faucet, 3 years on tank
- Order U.PRF1 for hot water replacement filter cartridge
- Hot water .5 GPM at 45 PSI
- Not compatible with ISE tanks
- Not suitable for R.O. systems or instant hot systems

Suggested Retail Price

Handle	APC	PN	STN
LM	1,579	1,688	1,820



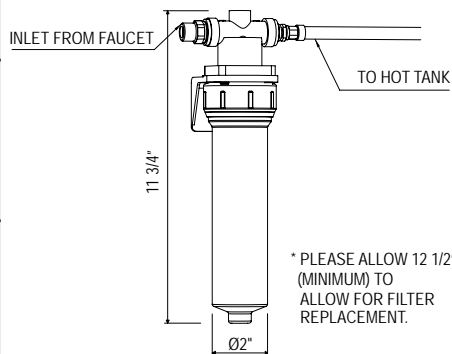
U.1998 High Performance Hot Water Tank



- 3-Year limited warranty
- Not compatible with ISE type dispensers

Suggested Retail Price

	N/A
	861



U.1106 Hot Water Inline Filter With Cartridge

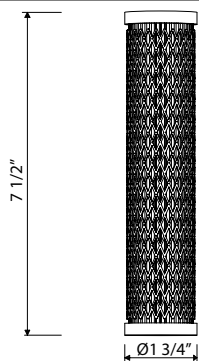
Suggested Retail Price

N/A

344



- Order U.PR1 for hot water replacement filter cartridge every 6 months: \$119



U.PR1 Hot Water Replacement Filter Cartridge

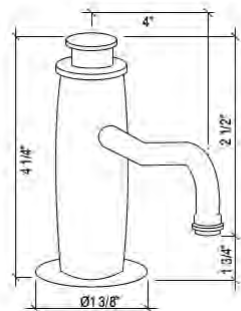
Suggested Retail Price

N/A

119



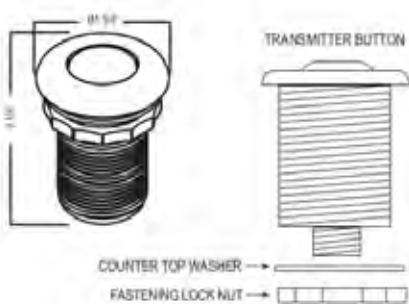
- Designed for use with U.1106 hot water filtration system
- Recommended 6 month replacement



LS3550 Gotham™ Soap/Lotion Dispenser

Suggested Retail Price

APC	PN	STN	MB	SG
402	440	479	512	559



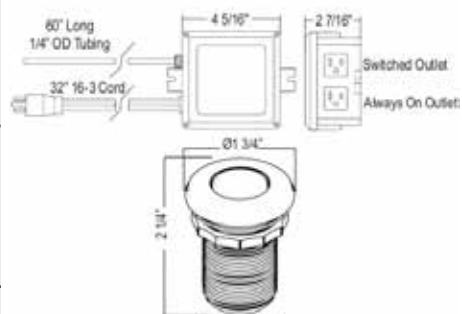
AS425 Air Activated Switch Button Only For Waste Disposal

Suggested Retail Price

APC	PN	STN	MB	SG
97	109	109	109	311



- Does not come with control box, button only



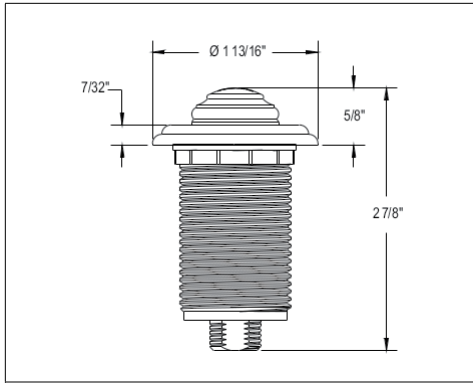
AS450 Air Activated Switch Button With Control Box For Waste Disposal

Suggested Retail Price

APC	PN	STN	MB	SG
292	304	304	304	506



- Control box with mounting hardware included



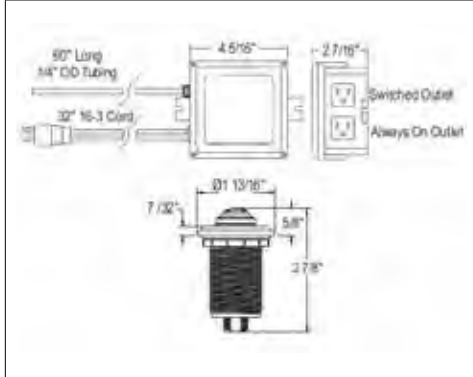
AS525 ROHL® Decorative Luxury Air Activated Switch Button Only For Waste Disposal



- Does not come with control box, button only
- Includes ROHL branding on top of button

Suggested Retail Price

APC	PN	STN	MB
151	151	171	170



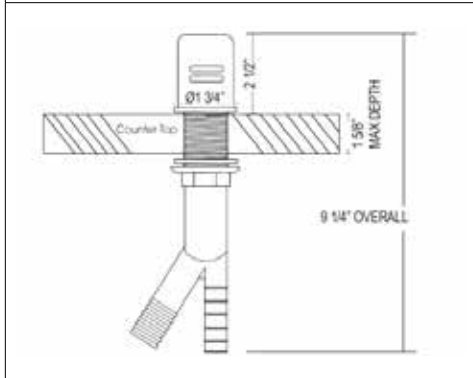
AS550 ROHL® Decorative Luxury Air Activated Switch Button With Control Box For Waste Disposal



- Control box with mounting hardware included
- Includes ROHL branding on top of button

Suggested Retail Price

APC	PN	STN	MB
346	346	366	365

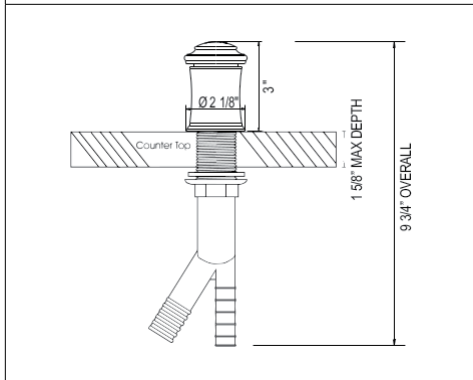


AG600 Luxury Air Gap



Suggested Retail Price

APC	PN	STN	MB	SG
68	79	79	79	364



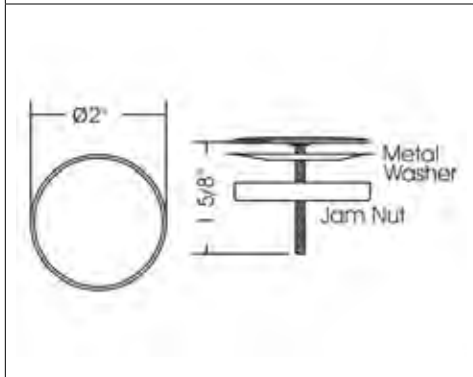
AG700 ROHL® Decorative Luxury Air Gap



- Includes ROHL branding on top of air gap

Suggested Retail Price

APC	PN	STN	MB
181	195	195	195



SHC-1 Sink Hole Cover



- Biscuit coordinates with Shaws® Fireclay Parchment sinks

Suggested Retail Price

APC	PN	STN	MB
16	37	37	27

LOMBARDIA®

Authentically Crafted in Italy

A modern and artistic interpretation of the Northern Italian Alps, the Lombardia® Collection is named for Italy's Lombardy region whose cities have been style centers since the Renaissance. The region's culture, with artists or influencers like Leonardo da Vinci and Mantegna, and works of art were highly regarded. The look is contemporary yet warm. The Italian-made Collection features rounded, simple shapes with no extraneous ornamentation for a softer take on contemporary.



Handle Options



Available Finishes:



See product page for available finishes

A3430LMAPC

1983

ACQUI

CAMPO

CINQUANTA

GOTHAM

GRACELINE

LOMBARDIA

LUX

PATRIZIA

PIRELLONE

QUARTILE

SAN JULIO

TUARIO

1983

ACQUI

CAMPO

CINQUANTA

GOTHAM

GRACELINE

LOMBARDIA

LUX

PATRIZIA

PIRELLONE

QUARTILE

SAN JULIO

TUARIO

KITCHEN & BAR FAUCETS



A3430S
page 78



A3430
page 78

FILTRATION / OTHER



QL66
page 80



RKIT7517
page 98



GKIT7545
page 79

OTHER CONSIDERATIONS

See product page for available finishes.



LS450
page 80



LS750
page 81



LS950C
page 81



LS2150
page 80

SOAP DISPENSERS



AS450
page 81



AS550
page 82

AIR SWITCH



6337
page 6



6347
page 4



MS3018
Shaws® Price Book



UM3018
Shaws® Price Book

SINKS



RSA3018
page 19



RSS2716
page 14



APC



PN



STN



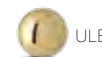
TCB



IB



MB



ULB

1983

ACQUI

CAMPO

CINQUANTA

GOTHAM

GRACELINE

LOMBARDIA

LUX

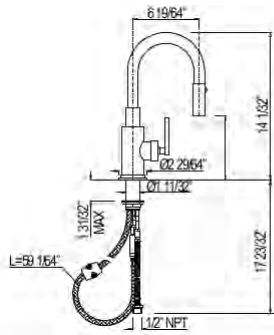
PATRIZIA

PIRELLONE

QUARTILE

SAN JULIO

TUARIO



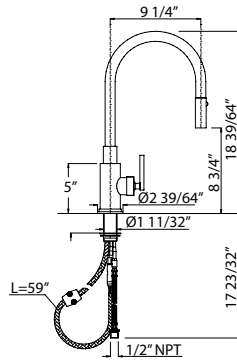
A3430S Lombardia® Pull-Down Bar/Food Prep Faucet



Suggested Retail Price

Handle	APC	PN	STN	IB	TCB	ULB
LM	898	988	1,203	1,275	1,275	1,275

- 1.8 GPM
- Requires 2 1/2" clearance from backsplash to center of faucet hole
- Matching bar/prep faucet for A3430



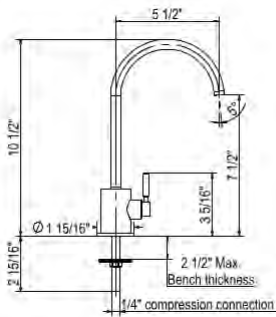
A3430 Lombardia® Pull-Down Kitchen Faucet



Suggested Retail Price

Handle	APC	PN	STN	IB	TCB	ULB
LM	939	1,033	1,258	1,334	1,334	1,334

- 1.8 GPM
- Requires 2 1/2" clearance from backsplash to center of faucet hole



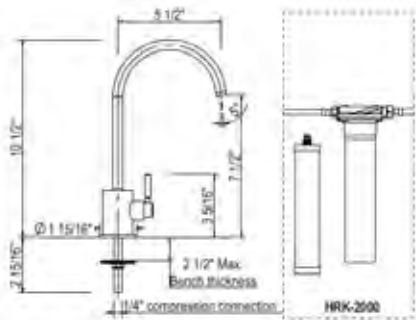
R7517 Lux™ C-Spout Filter Faucet



Suggested Retail Price

Handle	APC	PN	STN	MB
LM	304	335	381	396

- 5 GPM at 45 PSI
- Not suitable for R.O. systems or as a hot water dispenser
- Order HRK-2000 filter system to complete



RKIT7517 Lux™ C-Spout Filter Faucet



Suggested Retail Price

Handle	APC	PN	STN	MB
LM	924	955	1,001	1,016

- 5 GPM at 45 PSI
- Not suitable for R.O. systems or as a hot water dispenser
- Kit includes:
 - R7517
 - HRK-2000



HRF-1000 Arolla™ Replacement Filter Unit Only



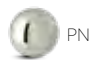
Suggested Retail Price

N/A
102

- Replacement filter for HRK-2000 filter system.
- Recommend changing filter every 6 months



APC



PN



STN



TCB



IB

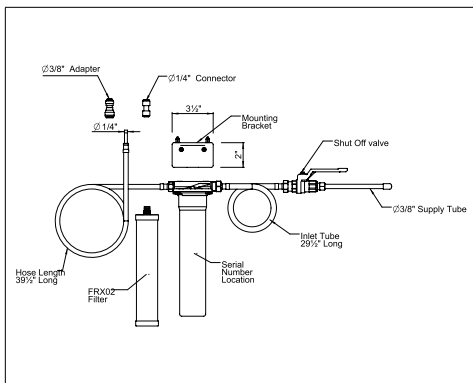


MB



ULB

1983



HRK-2000 Arolla™ Inline Filter System Complete With Cartridge



- Does not come with faucet
- For replacement filter, order HRF-1000

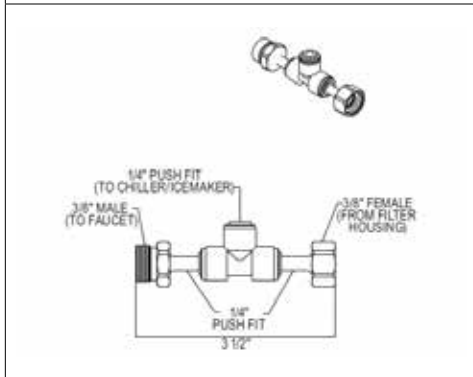
Suggested Retail Price

N/A

620

ACQUI

CAMPO



U.1810 Perrin & Rowe® Inline Ice Maker T-Connector



- For use with HRK-2000: \$620

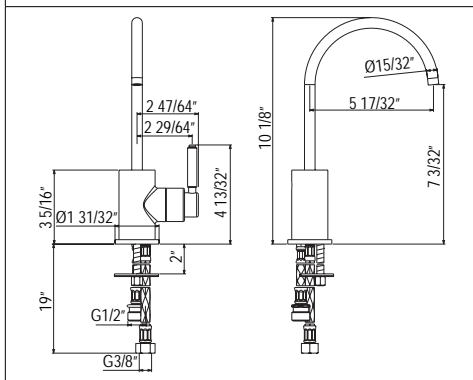
Suggested Retail Price

N/A

147

CINQUANTA

GOTHAM



G7545 Lux™ C-Spout Hot Water Faucet



- 5 year warranty
- For use with U.1998 high performance hot water tank and U.1106 filter
- Hot water .5 GPM at 45 PSI
- Not compatible with ISE tanks

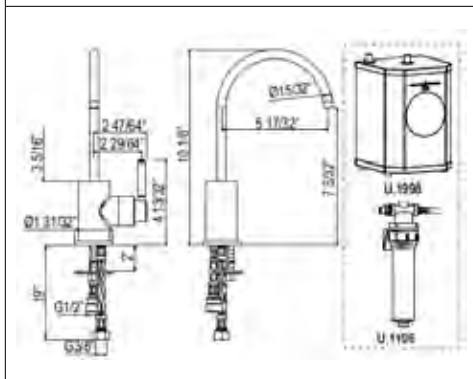
Suggested Retail Price

Handle	APC	PN	STN	MB	TCB
LM	321	415	615	615	615

GRACELINE

LOMBARDIA

LUX



GKIT7545 Lux™ C-Spout Hot Water Faucet, Tank And Filter Kit



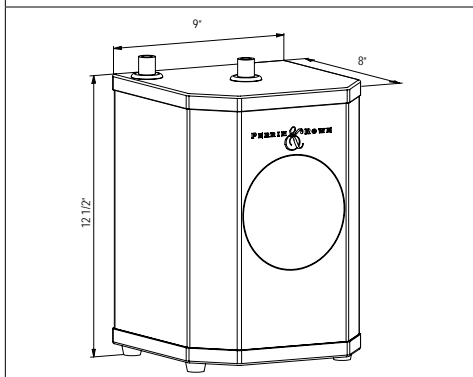
- Kit includes:
 - U.1998 Hot water tank
 - G7545LM-2 Hot water faucet
 - U.1106 Hot water filter
- Order U.PRF1 for hot water replacement filter cartridge
- Not compatible with ISE tanks

Suggested Retail Price

Handle	APC	PN	STN	MB	TCB
LM	1,526	1,620	1,820	1,820	1,820

PATRIZIA

PIRELLONE



U.1998 High Performance Hot Water Tank



- 3-Year limited warranty
- Not compatible with ISE type dispensers

Suggested Retail Price

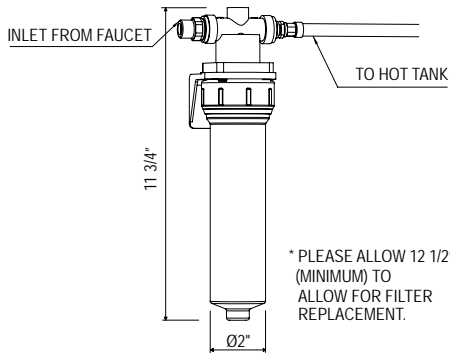
N/A

861

QUARTILE

SAN JULIO

TUUARIO



U.1106 Hot Water Inline Filter With Cartridge

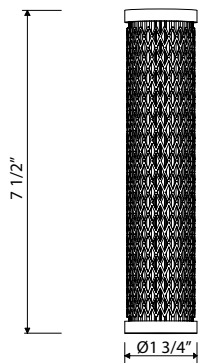
Suggested Retail Price

N/A

344



- Order U.PR.F1 for hot water replacement filter cartridge every 6 months: \$119



U.PR.F1 Hot Water Replacement Filter Cartridge

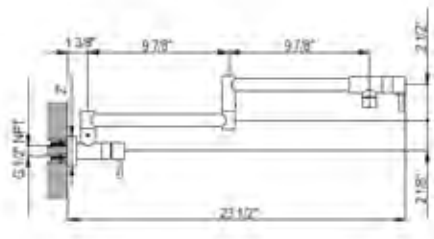
Suggested Retail Price

N/A

119



- Designed for use with U.1106 hot water filtration system
- Recommended 6 month replacement



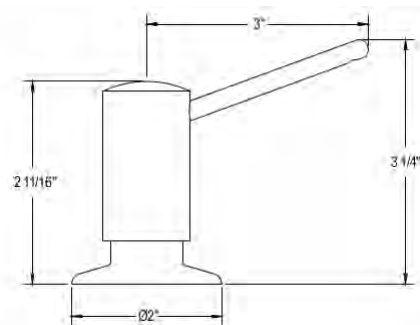
QL66 Modern Pot Filler

Suggested Retail Price

Handle	APC	PN	STN
L	1,440	1,644	2,016



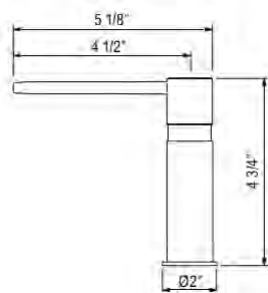
- 1.8 GPM



LS450 Lux™ II Soap/Lotion Dispenser

Suggested Retail Price

APC	PN	STN
152	152	175



LS2150 Modern Soap/Lotion Dispenser

Suggested Retail Price

APC	PN	STN
417	459	502



- Deep deck extension available, order part: LS850PEXT



APC



PN



STN



TCB



IB

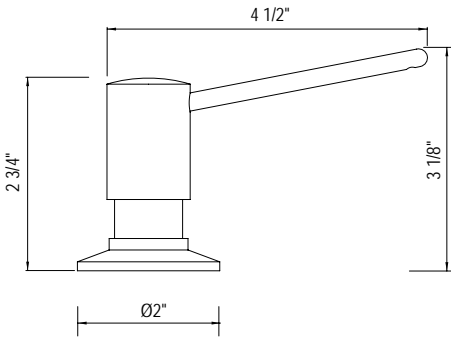


MB



ULB

1983

**LS750 Lux™ Soap/Lotion Dispenser****Suggested Retail Price**

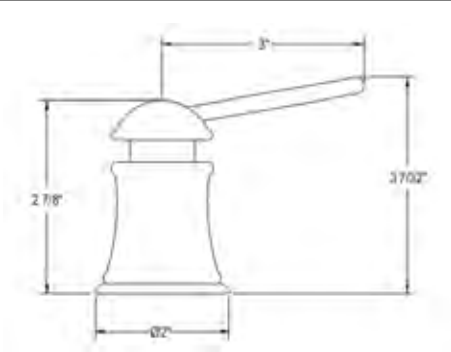
APC	PN	STN
213	264	266



- Deep deck extension available, order part: LS850PEXT

ACQUI

CAMPO

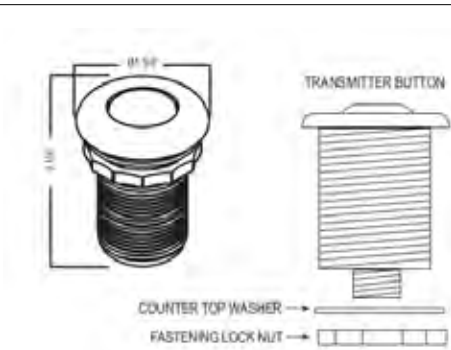
**LS950C Transitional Soap/Lotion Dispenser****Suggested Retail Price**

APC	PN	STN	TCB
184	184	210	210



CINQUANTA

GOTHAM

**AS425 Air Activated Switch Button Only For Waste Disposal****Suggested Retail Price**

APC	PN	STN	IB	MB	TCB
97	109	109	109	109	109

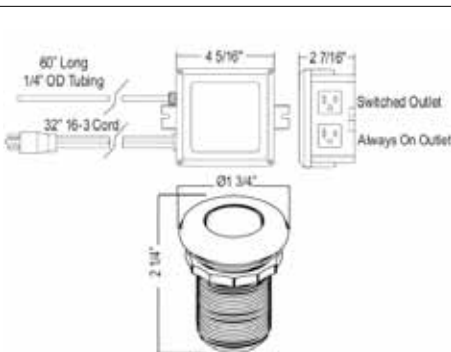


- Does not come with control box, button only

GRACELINE

LOMBARDIA

LUX

**AS450 Air Activated Switch Button With Control Box For Waste Disposal****Suggested Retail Price**

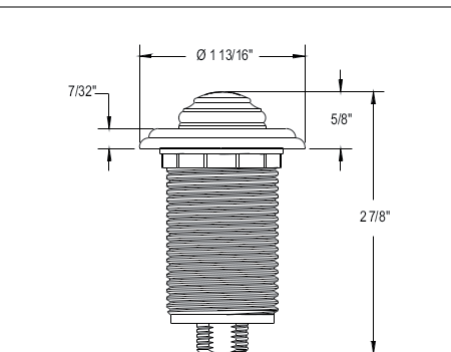
APC	PN	STN	IB	MB	TCB
292	304	304	304	304	304



- Control box with mounting hardware included

PATRIZIA

PIRELLONE

**AS525 ROHL® Decorative Air Activated Switch Button Only For Waste Disposal****Suggested Retail Price**

APC	PN	STN	IB	MB	TCB	ULB
151	151	171	171	170	171	165



- Does not come with control box, button only
- Includes ROHL branding on top of button

QUARTILE

SAN JULIO

TUARIO

1983

ACQUI

CAMPO

CINQUANTA

GOTHAM

GRACELINE

LOMBARDIA

LUX

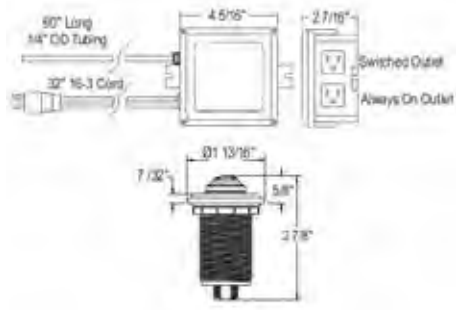
PATRIZIA

PIRELLONE

QUARTILE

SAN JULIO

TUARIO



AS550 ROHL® Decorative Air Activated Switch Button With Control Box For Waste Disposal

Suggested Retail Price

APC	PN	STN	IB	MB	TCB	ULB
346	346	366	366	365	366	360

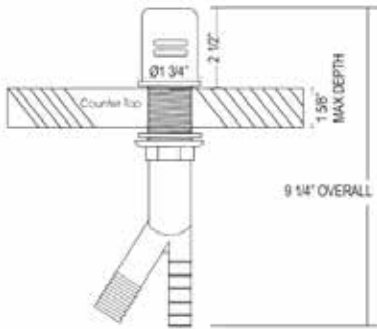


- Control box with mounting hardware included
- Includes ROHL branding on top of button

AG600 Air Gap

Suggested Retail Price

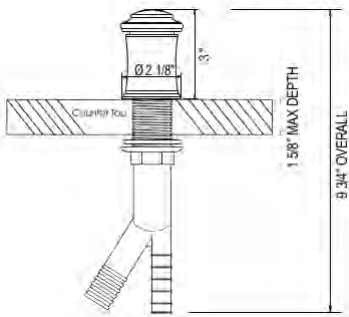
APC	PN	STN	IB	MB	TCB
68	79	79	79	79	79



AG700 ROHL® Decorative Air Gap

Suggested Retail Price

APC	PN	STN	IB	MB	TCB
181	195	195	195	195	195

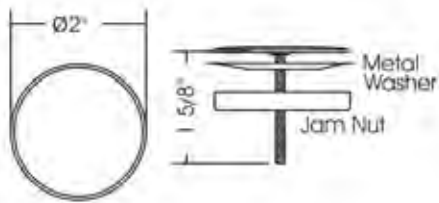


- Includes ROHL branding on top of air gap

SHC-1 Sink Hole Cover

Suggested Retail Price

APC	PN	STN	IB	MB	TCB
16	37	37	117	27	79



- Biscuit coordinates with Shaws® Fireclay Parchment sinks

LUX™

Influenced by the Industrial Chic Movement, the Lux™ Collection combines the perfect mix of beauty and brawn. Drawing from early 19th century stainless steel kitchens in fishmongers and butchery packing houses, the faucets have an unfettered, hardworking style. The Lux™ Collection offers a full range of Pull-Down Faucets that replicate the look of a professional kitchen. Tall, sleek and sophisticated — each are statement makers.



R7520SS

See product page for available handle and finish options

1983

ACQUI

CAMPO

CINQUANTA

GOTHAM

GRACELINE

LOMBARDIA

LUX

PATRIZIA

PIRELLONE

QUARTILE

SAN JULIO

TUARIO

KITCHEN & BAR FAUCETS



R7663
page 86



R7923
page 86



R7515S
page 86



R7515
page 86



R7581S
page 86



R7581
page 87



R7519
page 87



R7520
page 87



R7521
page 87

FILTRATION / OTHER



QL66
page 89



RKIT7517
page 88



GKIT7545
page 89

OTHER CONSIDERATIONS

See product page for available finishes.



LS450L
page 110



LS750L
page 110



LS950C
page 110



LS2150
page 110

SOAP DISPENSERS



AS450
page 111



AS550
page 111

AIR SWITCH



6307
page 4



6497
page 5



MS3018
Shaws® Price Book



UM3018
Shaws® Price Book

SINKS



RSA3018
page 19



RSS3018
page 15

1983

ACQUI

CAMPO

CINQUANTA

GOTHAM

GRACELINE

LOMBARDIA

LUX

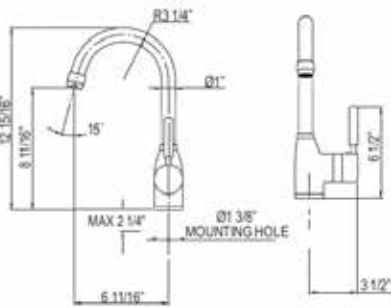
PATRIZIA

PIRELLONE

QUARTILE

SAN JULIO

TUARIO



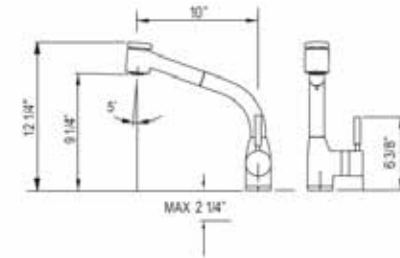
R7663 Lux™ Side Handle Bar/Food Prep Faucet

Suggested Retail Price

Handle	APC	STN
LM	938	1,172



- 1.8 GPM
- Requires 3 1/2" clearance from backsplash to center of faucet hole



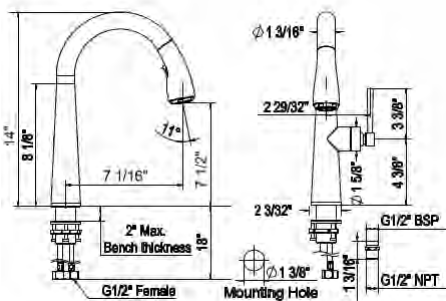
R7923 Lux™ Side Handle Pull-Out Kitchen Faucet

Suggested Retail Price

Handle	APC	STN
L	1,037	1,296



- Requires 3 1/2" clearance from backsplash to center of faucet hole
- 1.8 GPM



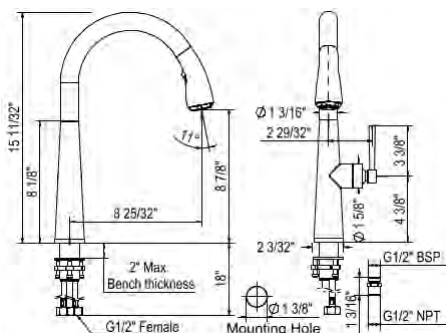
R7515S Lux™ Pull-Down Bar/Food Prep Faucet

Suggested Retail Price

Handle	APC	PN	STN	SS	RG
LM	893	983	1,116	1,059	1,360



- Requires 2 1/2" clearance from backsplash to center of faucet hole
- 1.8 GPM
- Matching bar/prep faucet for R7515



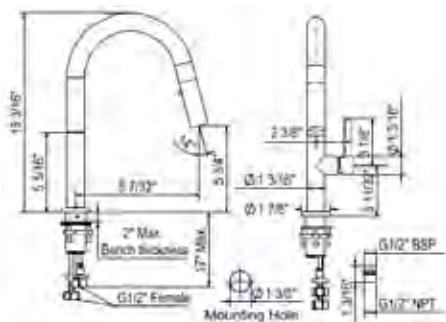
R7515 Lux™ Pull-Down Kitchen Faucet

Suggested Retail Price

Handle	APC	PN	STN	SS	RG
LM	893	983	1,116	1,059	1,360



- Requires 2 1/2" clearance from backsplash to center of faucet hole
- 1.8 GPM



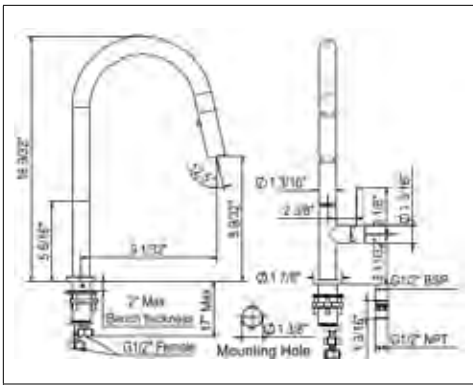
R7581S Lux™ Pull-Down Bar/Food Prep Faucet

Suggested Retail Price

Handle	APC	PN	STN	SS
LM	913	1,005	1,142	1,005



- 1.8 GPM
- Requires 1 1/2" clearance from backsplash to center of faucet hole



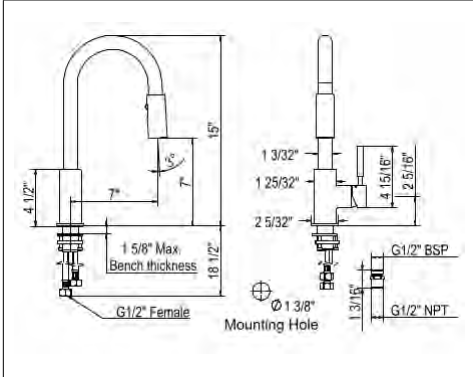
R7581 Lux™ Pull-Down Kitchen Faucet



- 1.8 GPM
- Requires 1 1/2" clearance from backsplash to center of faucet hole

Suggested Retail Price

Handle	APC	PN	STN	SS
LM	913	1,005	1,142	1,005



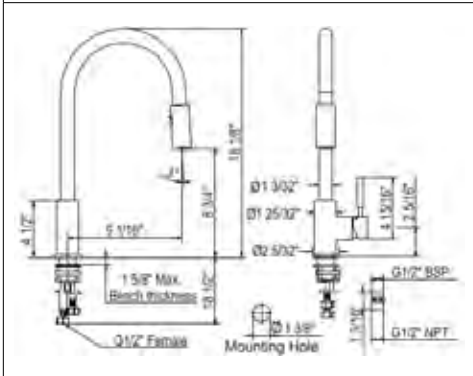
R7519 Lux™ Side Handle Bar/Food Prep Stainless Steel Pull-Down Faucet



- Matching bar/food prep faucet for R7520 and R7521
- Requires 2 1/2" clearance from backsplash to center of faucet hole
- 1.8 GPM

Suggested Retail Price

Handle	APC	PN	STN	SS
LM	798	958	998	822



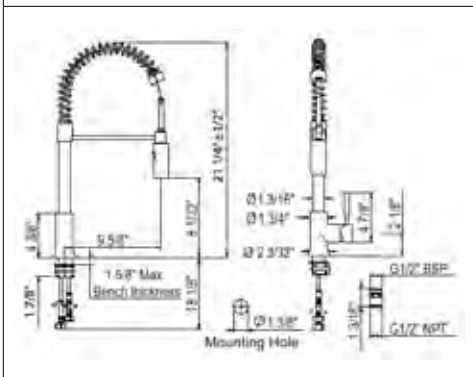
R7520 Lux™ Side Handle Stainless Steel Pull-Down Kitchen Faucet



- 1.8 GPM
- Matching kitchen faucet for R7663
- Requires 2 1/2" clearance from backsplash to center of faucet hole

Suggested Retail Price

Handle	APC	PN	STN	SS
LM	798	958	998	1,054



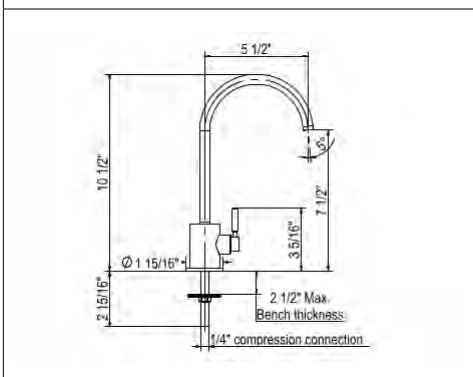
R7521 Lux™ Side Handle Stainless Steel Pro Pull-Down Kitchen Faucet



- 1.8 GPM
- Requires 2 1/2" clearance from backsplash to center of faucet hole

Suggested Retail Price

Handle	APC	PN	STN	SS
LM	998	1,198	1,247	1,386



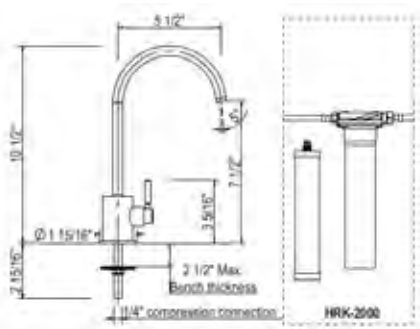
R7517 Lux™ C-Spout Filter Faucet



- .5 GPM at 45 PSI
- Not suitable for R.O. systems or as a hot water dispenser
- Order HRK-2000 filter system to complete

Suggested Retail Price

Handle	APC	PN	STN	SS
LM	304	335	381	387



RKIT7517 Lux™ C-Spout Filter Faucet



- .5 GPM at 45 PSI
- Not suitable for R.O. systems or as a hot water dispenser
- Kit includes:
 - R7517
 - HRK-2000

Suggested Retail Price

Handle	APC	PN	STN	SS	MB
LM	924	955	1,001	1,007	1,016

Suggested Retail Price

N/A
102

- Replacement filter for HRK-2000 filter system.
- Recommend changing filter every 6 months



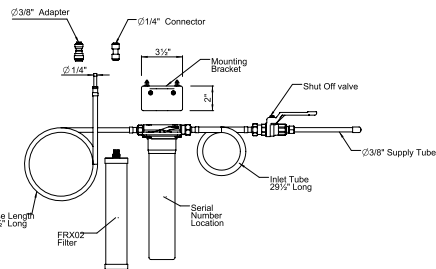
HRF-1000 Arolla™ Replacement Filter Unit Only



Suggested Retail Price

N/A
620

- Does not come with faucet
- For replacement filter, order HRF-1000



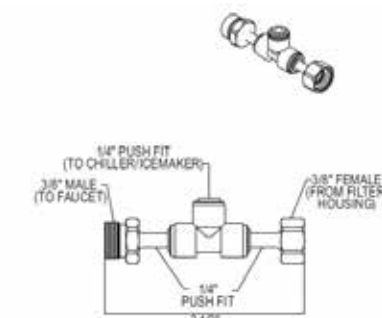
HRK-2000 Arolla™ Inline Filter System Complete With Cartridge



Suggested Retail Price

N/A
147

- For use with HRK-2000: \$620



U.1810 Perrin & Rowe® Inline Ice Maker T-Connector



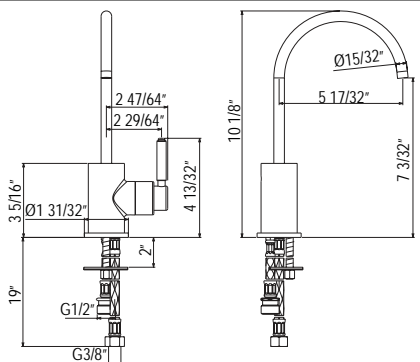
Suggested Retail Price

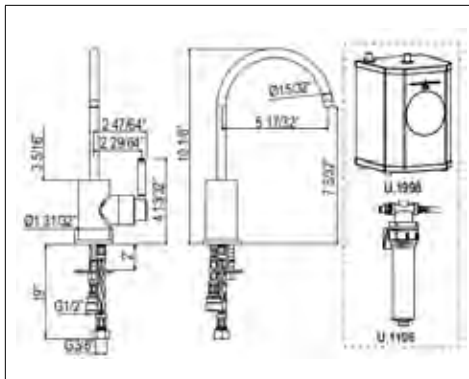
Handle	APC	PN	STN	MB
LM	321	415	615	615

G7545 Lux™ C-Spout Hot Water Faucet



- 5 year warranty
- For use with U.1998 high performance hot water tank and U.1106 filter
- Hot water .5 GPM at 45 PSI
- Not compatible with ISE tanks





GKIT7545 Lux™ C-Spout Hot Water Faucet, Tank And Filter Kit

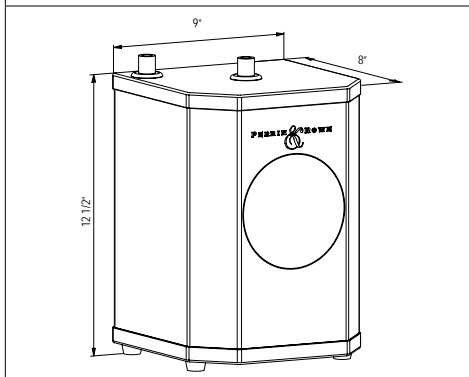


Suggested Retail Price				
Handle	APC	PN	STN	MB
LM	1,526	1,620	1,820	1,820

- Kit includes:
 - U.1998 Hot water tank
 - G7545LM-2 Hot water faucet
 - U.1106 Hot water filter
- Order U.PRF1 for hot water replacement filter cartridge
- Not compatible with ISE tanks

ACQUI

CAMPO



U.1998 High Performance Hot Water Tank

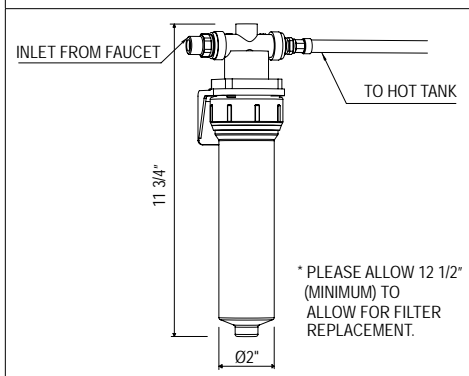


Suggested Retail Price	
Handle	MB
N/A	861

- 3-Year limited warranty
- Not compatible with ISE type dispensers

CINQUANTA

GOTHAM



U.1106 Hot Water Inline Filter With Cartridge



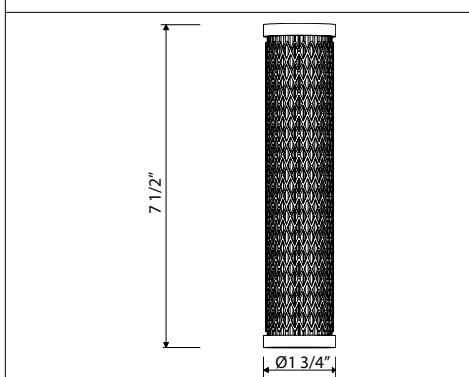
Suggested Retail Price	
Handle	MB
N/A	344

- Order U.PRF1 for hot water replacement filter cartridge every 6 months: \$119

GRACELINE

LOMBARDIA

LUX



U.PRF1 Hot Water Replacement Filter Cartridge

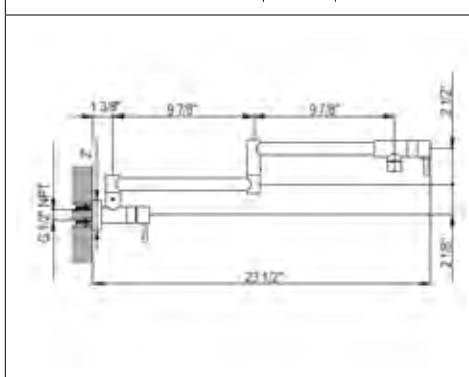


Suggested Retail Price	
Handle	MB
N/A	119

- Designed for use with U.1106 hot water filtration system
- Recommended 6 month replacement

PATRIZIA

PIRELLONE



QL66 Modern Pot Filler



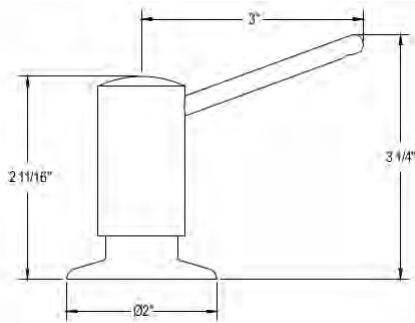
Suggested Retail Price			
Handle	APC	PN	STN
L	1,440	1,644	2,016

- 1.8 GPM

QUARTILE

SAN JULIO

TUARIO

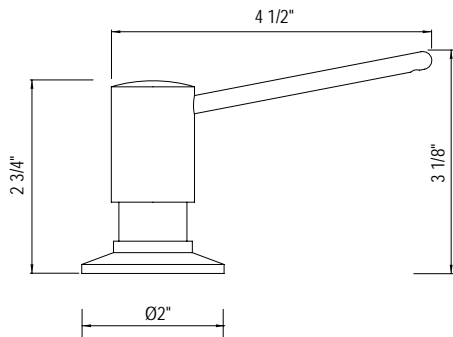


LS450 Lux™ II Soap/Lotion Dispenser



Suggested Retail Price

APC	PN	STN	SS	MB
152	152	175	164	175



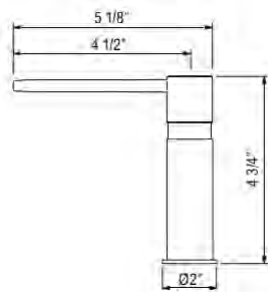
LS750 Lux™ Soap/Lotion Dispenser



Suggested Retail Price

APC	PN	STN
213	264	266

- Deep deck extension available, order part: LS850PEXT



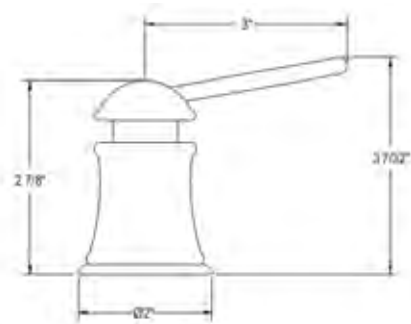
LS2150 Modern Soap/Lotion Dispenser



Suggested Retail Price

APC	PN	STN
417	459	502

- Deep deck extension available, order part: LS850PEXT

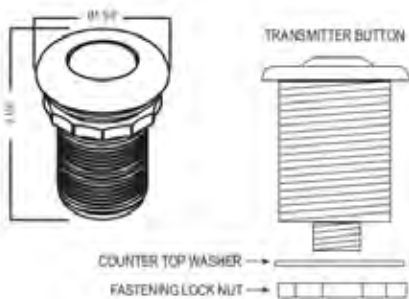


LS950C Transitional Soap/Lotion Dispenser



Suggested Retail Price

APC	PN	STN
184	184	210



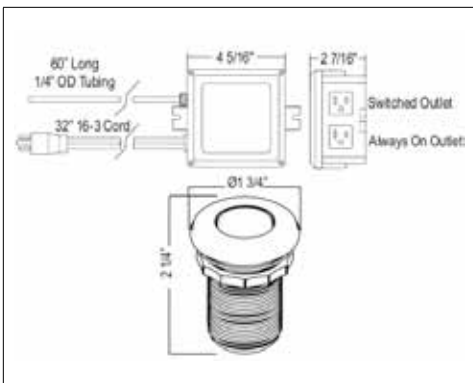
AS425 Air Activated Switch Button Only For Waste Disposal



Suggested Retail Price

APC	PN	STN	SS	MB
97	109	109	106	109

- Does not come with control box, button only



AS450 Air Activated Switch Button With Control Box For Waste Disposal

Suggested Retail Price

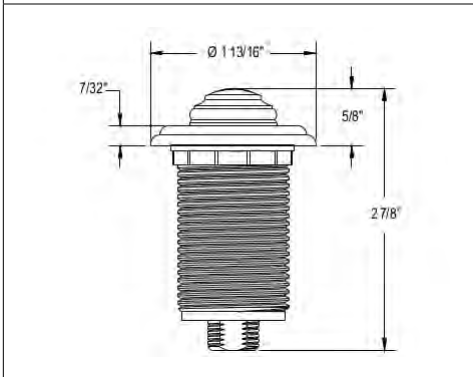
APC	PN	STN	SS	MB
292	304	304	301	304



- Control box with mounting hardware included

ACQUI

CAMPO



AS525 ROHL® Decorative Air Activated Switch Button Only For Waste Disposal

Suggested Retail Price

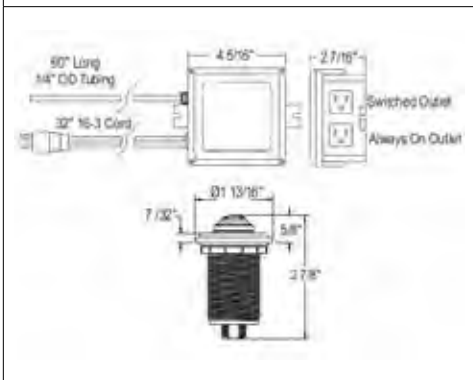
APC	PN	STN	MB	ULB
151	151	171	170	165



- Does not come with control box, button only
- Includes ROHL branding on top of button

CINQUANTA

GOTHAM



AS550 ROHL® Decorative Air Activated Switch Button With Control Box For Waste Disposal

Suggested Retail Price

APC	PN	STN	MB	ULB
346	346	366	365	360

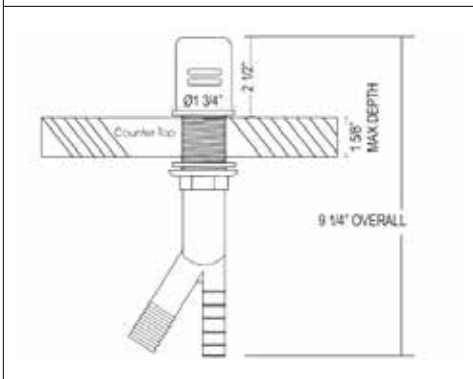


- Control box with mounting hardware included
- Includes ROHL branding on top of button

GRACELINE

LOMBARDIA

LUX



AG600 Air Gap

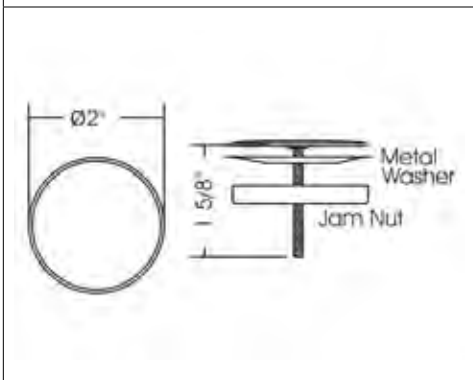
Suggested Retail Price

APC	PN	STN	SS	MB
68	79	79	87	79



PATRIZIA

PIRELLONE



SHC-1 Sink Hole Cover

Suggested Retail Price

APC	PN	STN	MB	BK	WH	BS
16	37	37	27	27	27	27



- Biscuit coordinates with Shaws® Fireclay Parchment sinks

QUARTILE

SAN JULIO

TUARIO

NOTES

PATRIZIA™

Authentically Crafted in Italy

The Patrizia™ Collection Pull-Down Faucet presents a simple elegance reminiscent of its namesake. Beautifully tailored, with a subtle hint of flirty curve, this faucet brings the perfect mix of feminine style and masculine strength. This traditionally styled, hard-working collection is made in Northern Italy.



Handle Options



*Metal Lever
LM*

Available Finishes:



*Polished Chrome
APC*



*Polished Nickel
PN*



*Tuscan Brass®
TCB*



*Satin Nickel
STN*



*Italian Brass
IB*



*Matte Black
MB*



*Unlacquered Brass
ULB*

See product page for available finishes

A3420LMSTN

1983

ACQUI

CAMPO

CINQUANTA

GOTHAM

GRACELINE

LOMBARDIA

LUX

PATRIZIA

PIRELLONE

QUARTILE

SAN JULIO

TUARIO

KITCHEN & BAR FAUCETS



A3410
page 96



A3420S
page 96



A3420
page 96

FILTRATION / OTHER



A1445
page 99



AKIT1635
page 96



GKIT1655
page 98



GKIT1445
page 97

OTHER CONSIDERATIONS

See product page for available finishes.



LS650C
page 99



LS850P
page 99

SOAP DISPENSERS



AS450
page 100



AS550
page 100

AIR SWITCH



6347
page 4



6337
page 6



RC2418
Shaws® Price Book



RC3021
Shaws® Price Book

SINKS



RSS2418
page 14



RSS3518
page 16



APC



PN



STN



TCB



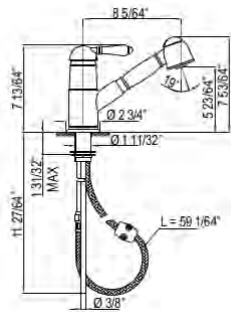
IB



ULB



MB



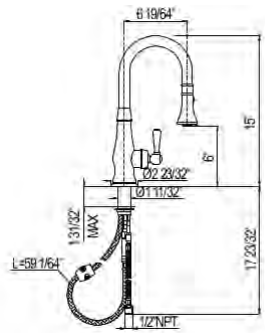
A3410 Patrizia™ Pull-Out Kitchen Faucet



- 1.5 GPM
- Dual spray mode

Suggested Retail Price

Handle	APC	PN	STN
LM	650	716	837
LP	650	716	837



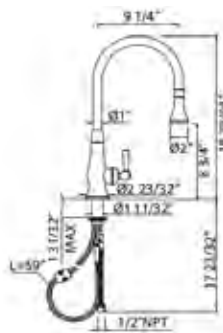
A3420S Patrizia™ Pull-Down Bar/Food Prep Faucet



- 1.8 GPM
- Requires 2 1/2" clearance from backsplash to center of faucet hole
- Matching bar/prep faucet for A3420

Suggested Retail Price

Handle	APC	PN	STN	IB	TCB	ULB
LM	944	1,039	1,265	1,341	1,341	1,341



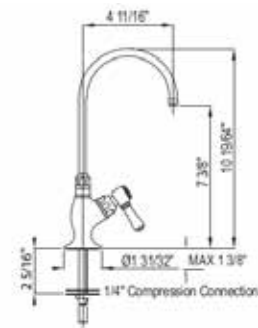
A3420 Patrizia™ Pull-Down Faucet



- 1.8 GPM
- Requires 2 1/2" clearance from backsplash to center of faucet hole

Suggested Retail Price

Handle	APC	PN	STN	IB	TCB	ULB
LM	987	1,086	1,322	1,402	1,402	1,402



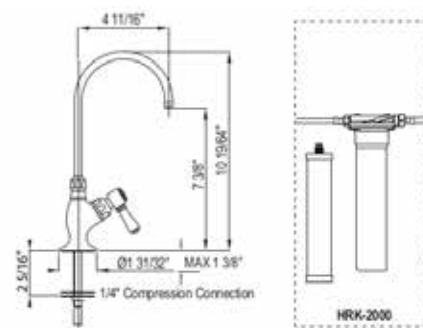
A1635 San Julio® C-Spout Filter Faucet



- 1/4" compression connection not included
- Designed to work with our HRK-2000 filtration system
- Not suitable for R.O. systems or instant hot systems

Suggested Retail Price

Handle	APC	PN	STN	IB	MB	TCB	ULB
LM	342	342	488	488	488	488	488
LP	342	342	488	488	488	488	488
X	342	342	488	488	488	488	488
XM	342	342	488	488	488	488	488



AKIT1635 San Julio® C-Spout Filter Faucet



- Filtered Water .5 GPM at 45 PSI
- Designed to work with our HRK-2000 filtration system
- Not suitable for R.O. systems or instant hot systems
- Kit includes:
 - A1635
 - HRK-2000

Suggested Retail Price

Handle	APC	PN	STN	IB	MB	TCB	ULB
LM	962	962	1,108	1,108	1,108	1,108	1,108
LP	962	962	1,108	1,108	1,108	1,108	1,108
X	962	962	1,108	1,108	1,108	1,108	1,108
XM	962	962	1,108	1,108	1,108	1,108	1,108



APC



PN



STN



TCB



IB



ULB



MB

1983

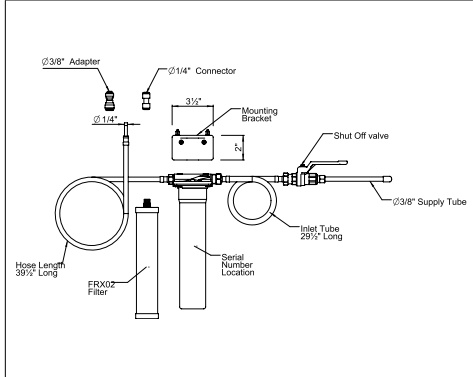
**HRF-1000 Arolla™ Replacement Filter Unit Only****Suggested Retail Price****N/A**

102

- Replacement filter for HRK-2000 filter system.
- Recommend changing filter every 6 months

ACQUI

CAMPO

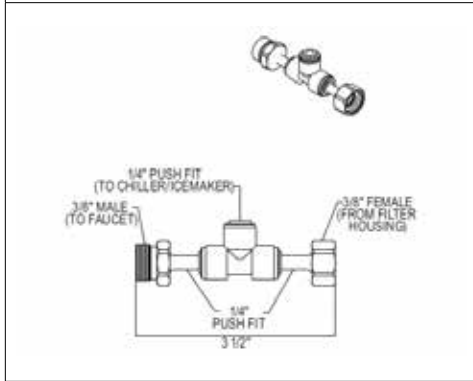
**HRK-2000 Arolla™ Inline Filter System Complete With Cartridge****Suggested Retail Price****N/A**

620

- Does not come with faucet
- For replacement filter, order HRF-1000

CINQUANTA

GOTHAM

**U.1810 Perrin & Rowe® Inline Ice Maker T-Connector****Suggested Retail Price****N/A**

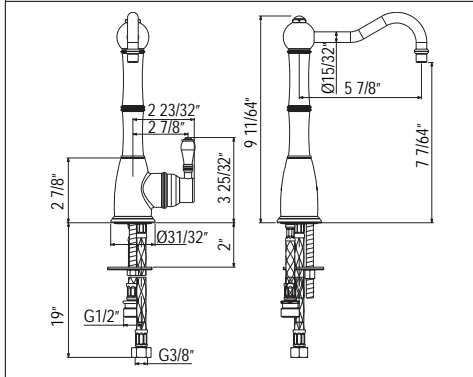
147

- For use with HRK-2000: \$620

GRACELINE

LOMBARDIA

LUX

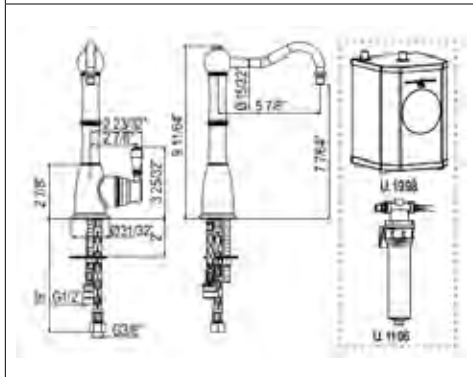
**G1445 Acqui® Column Spout Hot Water Faucet****Suggested Retail Price**

Handle	APC	PN	STN	IB	MB	TCB	ULB
LM	426	551	615	655	615	615	615

- 5 year warranty
- For use with U.1998 high performance hot water tank and U.1106 filter
- Hot water .5 GPM at 45 PSI
- Not compatible with ISE tanks

PATRIZIA

PIRELLONE

**GKIT1445 Acqui® Column Spout Hot Water Faucet, Tank And Filter Kit****Suggested Retail Price**

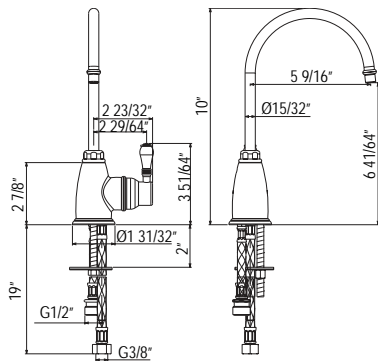
Handle	APC	PN	STN	IB	MB	TCB	ULB
LM	1,631	1,756	1,820	1,860	1,820	1,820	1,820

- Kit includes:
 - U.1998 Hot water tank
 - G1445LM-2 Hot water faucet
 - U.1106 Hot water filter
- Order U.PRF1 for hot water replacement filter cartridge
- Not compatible with ISE tanks

QUARTILE

SAN JULIO

TUUARIO



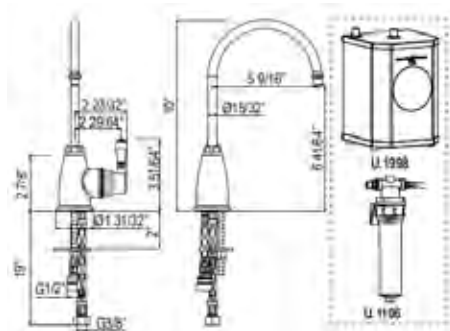
G1655 San Julio® Traditional C-Spout Hot Water Faucet



- 5 year warranty
- For use with U.1998 high performance hot water tank and U.1106 filter
- Hot water .5 GPM at 45 PSI
- Not compatible with ISE tanks

Suggested Retail Price

Handle	APC	PN	STN	IB	MB	TCB	ULB
LM	368	476	615	655	615	615	615



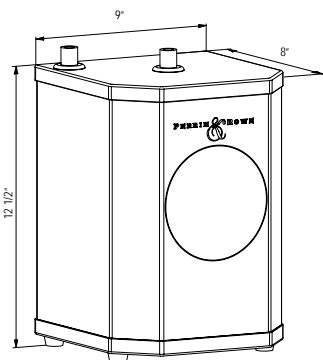
GKIT1655 San Julio® Traditional C-Spout Hot Water Faucet, Tank And Filter Kit



- Kit includes:
 - U.1998 Hot water tank
 - G1655LM-2 Hot water faucet
 - U.1106 Hot water filter
- Order U.PRF1 for hot water replacement filter cartridge
- Not compatible with ISE tanks

Suggested Retail Price

Handle	APC	PN	STN	IB	MB	TCB	ULB
LM	1,573	1,681	1,820	1,860	1,820	1,820	1,820



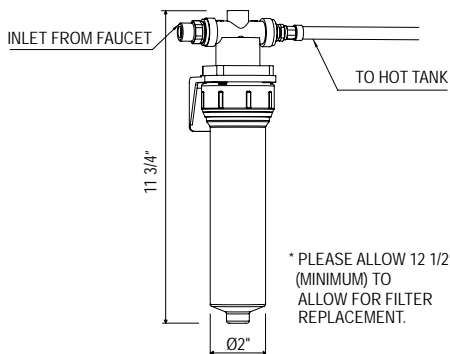
U.1998 High Performance Hot Water Tank



- 3-Year limited warranty
- Not compatible with ISE type dispensers

Suggested Retail Price

N/A
861



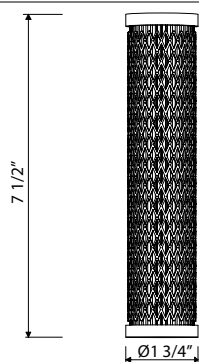
U.1106 Hot Water Inline Filter With Cartridge



- Order U.PRF1 for hot water replacement filter cartridge every 6 months: \$119

Suggested Retail Price

N/A
344



U.PRF1 Hot Water Replacement Filter Cartridge



- Designed for use with U.1106 hot water filtration system
- Recommended 6 month replacement

Suggested Retail Price

N/A
119



APC



PN



STN



TCB



IB

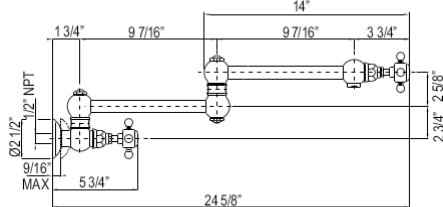


ULB



MB

1983



A1451 Wall Mount Swing Arm Pot Filler

Suggested Retail Price

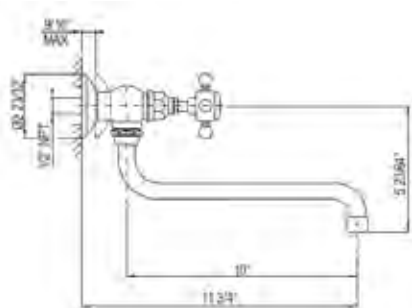
Handle	APC	PN	STN	IB	TCB	ULB
LM	1,103	1,214	1,406	1,567	1,567	1,567
LP	1,103	1,214	1,406	1,567	1,567	1,567
X	1,103	1,214	1,406	1,567	1,567	1,567
XM	1,103	1,214	1,406	1,567	1,567	1,567



• 1.5 GPM

ACQUI

CAMPO



A1445 Wall Mount 11 3/4" Reach Pot Filler

Suggested Retail Price

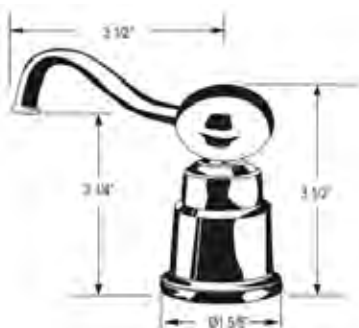
Handle	APC	PN	STN	IB	TCB
X	338	373	469	481	481
XM	338	373	469	481	481



• 1.5 GPM

CINQUANTA

GOTHAM



LS650C Soap/Lotion Dispenser

Suggested Retail Price

APC	PN	STN	TCB
245	269	302	302



• Deep deck extension available, order part: LS850PEXT

GRACELINE

LOMBARDIA



LS850P Traditional Style Soap/Lotion Dispenser

Suggested Retail Price

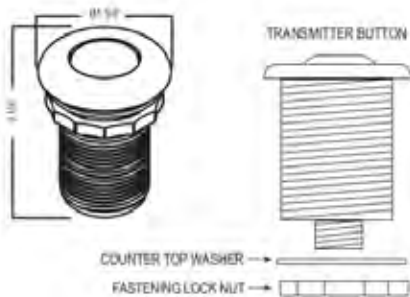
APC	PN	STN	IB	MB	ULB
304	335	360	415	405	456



LUX

PATRIZIA

PIRELLONE



AS425 Air Activated Switch Button Only For Waste Disposal

Suggested Retail Price

APC	PN	STN	IB	MB	TCB
97	109	109	109	109	109

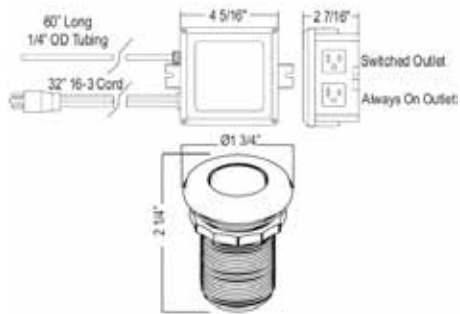


• Does not come with control box, button only

QUARTILE

SAN JULIO

TUARIO



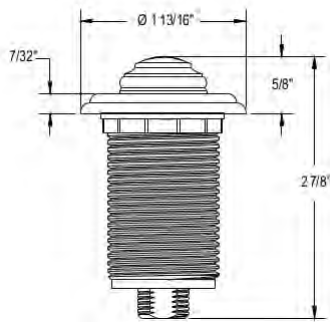
AS450 Air Activated Switch Button With Control Box For Waste Disposal

Suggested Retail Price

APC	PN	STN	IB	MB	TCB
292	304	304	304	304	304



- Control box with mounting hardware included



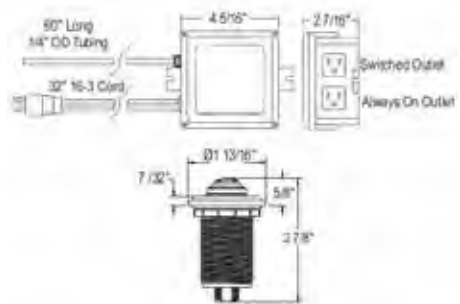
AS525 ROHL® Decorative Air Activated Switch Button Only For Waste Disposal

Suggested Retail Price

APC	PN	STN	IB	MB	TCB	ULB
151	151	171	171	170	171	165



- Does not come with control box, button only
- Includes ROHL branding on top of button



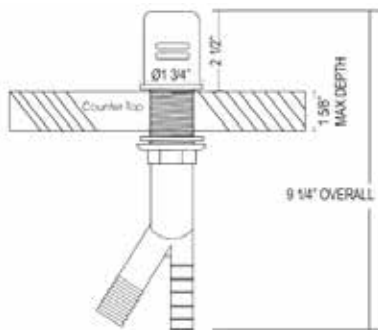
AS550 ROHL® Decorative Air Activated Switch Button With Control Box For Waste Disposal

Suggested Retail Price

APC	PN	STN	IB	MB	TCB	ULB
346	346	366	366	365	366	360



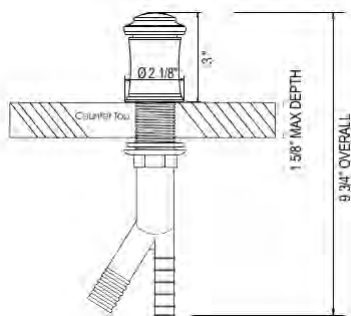
- Control box with mounting hardware included
- Includes ROHL branding on top of button



AG600 Air Gap

Suggested Retail Price

APC	PN	STN	IB	MB	TCB
68	79	79	79	79	79



AG700 ROHL® Decorative Air Gap

Suggested Retail Price

APC	PN	STN	IB	MB	TCB
181	195	195	195	195	195



- Includes ROHL branding on top of air gap



APC



PN



STN



TCB



IB

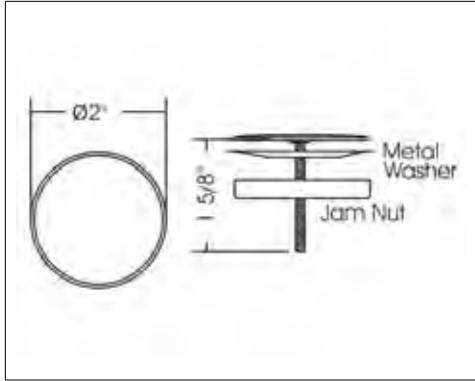


ULB



MB

1983



SHC-1 Sink Hole Cover

Suggested Retail Price

APC	PN	STN	IB	MB	TCB
16	37	37	117	27	79



- Biscuit coordinates with Shaws® Fireclay Parchment sinks

ACQUI

CAMPO

CINQUANTA

GOTHAM

GRACELINE

LOMBARDIA

LUX

PATRIZIA

PIRELLONE

QUARTILE

SAN JULIO

TUARIO

PIRELLONE™

Authentically Crafted in Italy

Inspired by the first modern skyscraper in Italy, the Pirellone™ Collection is an homage to Gio Ponti and his international architectural style. Clean crisp lines, sleek simplicity and meticulous detailing — designed and made in Italy — are the hallmarks of this landmark Collection.



CY57LAPC

Available Finishes:



Polished Chrome
APC



Polished Nickel
PN



Satin Nickel
STN



Matte Black
MB

See product page for available finishes

1983

ACQUI

CAMPO

CINQUANTA

GOTHAM

GRACELINE

LOMBARDIA

LUX

PATRIZIA

PIRELLONE

QUARTILE

SAN JULIO

TUARIO

1983

ACQUI

CAMPO

CINQUANTA

GOTHAM

GRACELINE

LOMBARDIA

LUX

PATRIZIA

PIRELLONE

QUARTILE

SAN JULIO

TUARIO

KITCHEN & BAR FAUCETS



LS53L
page 116



LS57
page 106



LS64
page 106



CY657
page 106



CY57
page 106



QL66
page 109

FILTRATION / OTHER



RKIT7517
page 117



GKIT7545
page 108



L



L

OTHER CONSIDERATIONS

See product page for available finishes.



LS450
page 109



LS750
page 109



LS950C
page 109



LS2150
page 109

SOAP DISPENSERS



AS450
page 110



AS550
page 110

AIR SWITCH



6347
page 4



6497
page 5



RC3618
Shaws® Price Book



RC4019
Shaws® Price Book

SINKS

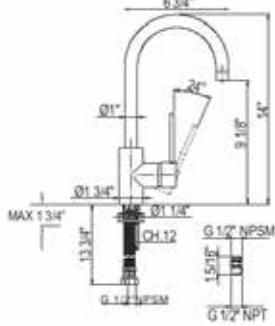


RSA3018
page 19



RUWKIT36161
page 20





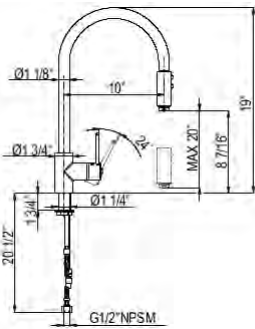
LS53 Pirellone™ Side Handle Bar/Food Prep Faucet



- Matching bar faucet for LS57L and LS64L
- 1.8 GPM
- Requires 2 1/2" clearance from backsplash to center of faucet hole

Suggested Retail Price

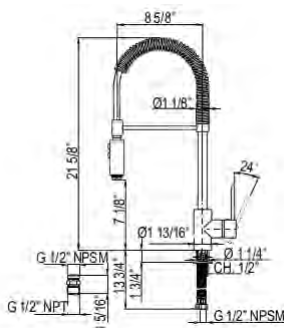
Handle	APC	PN	STN
L	995	1,095	1,391



- Matching kitchen faucet for LS53L
- 1.8 GPM
- Requires 2 1/2" clearance from backsplash to center of faucet hole

Suggested Retail Price

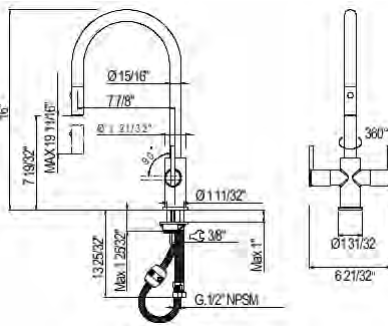
Handle	APC	PN	STN
L	1,661	1,828	2,277



- 1.8 GPM
- Requires 2 1/2" clearance from backsplash to center of faucet hole

Suggested Retail Price

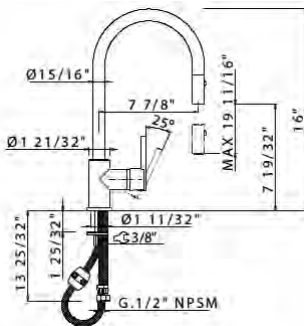
Handle	APC	PN	STN
L	2,158	2,383	2,809



- 1.8 GPM
- Requires 2 1/2" clearance from backsplash to center of faucet hole

Suggested Retail Price

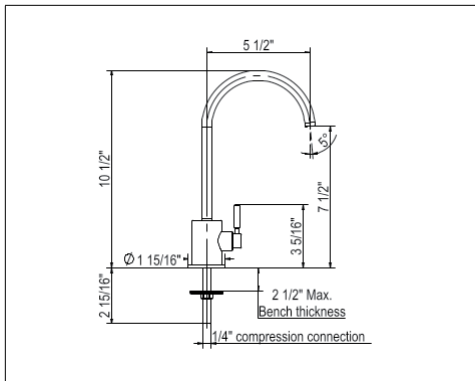
Handle	APC	PN	STN
L	660	772	965



- 1.8 GPM
- Requires 2 1/2" clearance from backsplash to center of faucet hole

Suggested Retail Price

Handle	APC	PN	STN
L	615	725	912



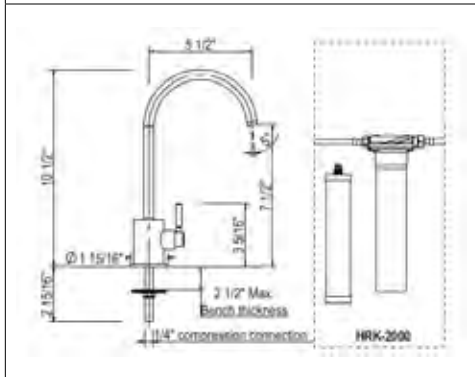
R7517 Lux™ C-Spout Filter Faucet



Suggested Retail Price

Handle	APC	PN	STN	MB
LM	304	335	381	396

- .5 GPM at 45 PSI
- Not suitable for R.O. systems or as a hot water dispenser
- Order HRK-2000 filter system to complete



RKIT7517 Lux™ C-Spout Filter Faucet



Suggested Retail Price

Handle	APC	PN	STN	MB
LM	924	955	1,001	1,016

- .5 GPM at 45 PSI
- Not suitable for R.O. systems or as a hot water dispenser
- Kit includes:
 - R7517
 - HRK-2000



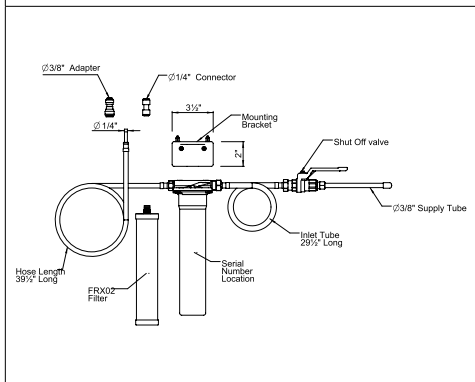
HRF-1000 Arolla™ Replacement Filter Unit Only



Suggested Retail Price

N/A
102

- Replacement filter for HRK-2000 filter system.
- Recommend changing filter every 6 months



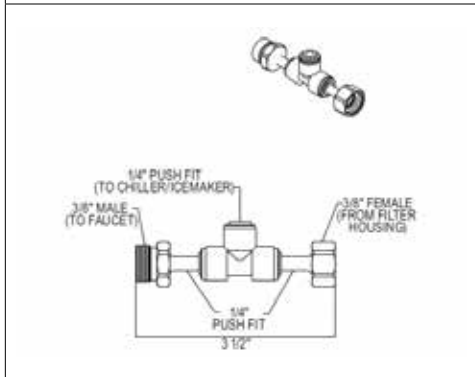
HRK-2000 Arolla™ Inline Filter System Complete With Cartridge



Suggested Retail Price

N/A
620

- Does not come with faucet
- For replacement filter, order HRF-1000



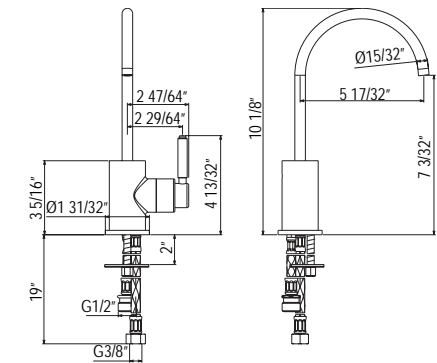
U.1810 Perrin & Rowe® Inline Ice Maker T-Connector



Suggested Retail Price

N/A
147

- For use with HRK-2000: \$620



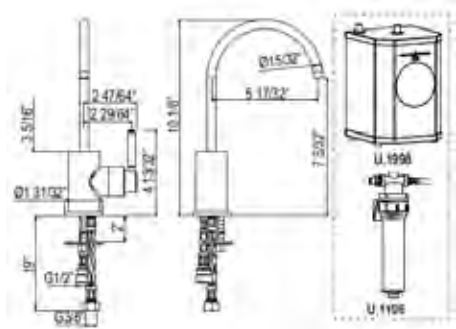
G7545 Lux™ C-Spot Hot Water Faucet



Suggested Retail Price

Handle	APC	PN	STN	MB
LM	321	415	615	615

- 5 year warranty
- For use with U.1998 high performance hot water tank and U.1106 filter
- Hot water .5 GPM at 45 PSI
- Not compatible with ISE tanks



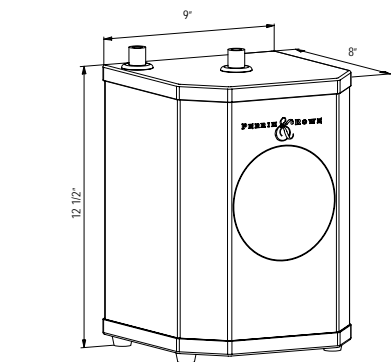
GKIT7545 Lux™ C-Spot Hot Water Faucet, Tank And Filter Kit



Suggested Retail Price

Handle	APC	PN	STN	MB
LM	1,526	1,620	1,820	1,820

- Kit includes:
 - U.1998 Hot water tank
 - G7545LM-2 Hot water faucet
 - U.1106 Hot water filter
- Order U.PRF1 for hot water replacement filter cartridge
- Not compatible with ISE tanks



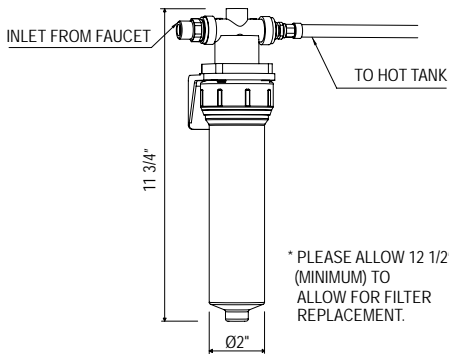
U.1998 High Performance Hot Water Tank



Suggested Retail Price

Handle	APC	PN	STN	MB
				N/A
				861

- 3-Year limited warranty
- Not compatible with ISE type dispensers



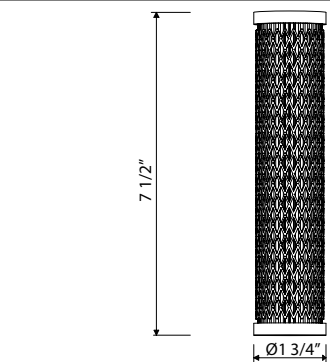
U.1106 Hot Water Inline Filter With Cartridge



Suggested Retail Price

Handle	APC	PN	STN	MB
				N/A
				344

- Order U.PRF1 for hot water replacement filter cartridge every 6 months: \$119



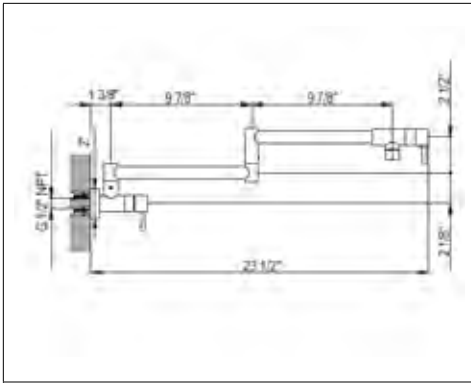
U.PRF1 Hot Water Replacement Filter Cartridge



Suggested Retail Price

Handle	APC	PN	STN	MB
				N/A
				119

- Designed for use with U.1106 hot water filtration system
- Recommended 6 month replacement

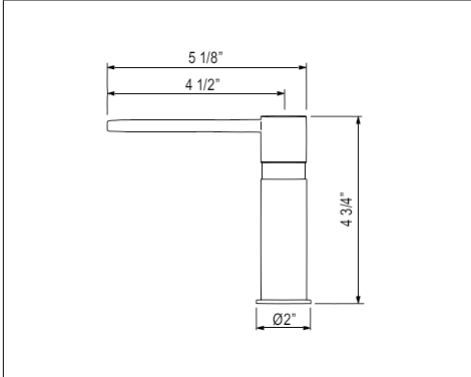


QL66 Modern Pot Filler



• 1.8 GPM

Suggested Retail Price			
Handle	APC	PN	STN
L	1,440	1,644	2,016

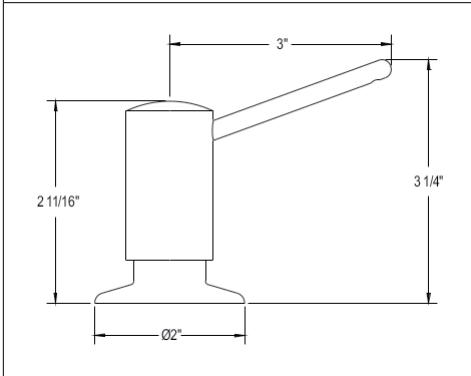


LS2150 Modern Soap/Lotion Dispenser



• Deep deck extension available, order part: LS850PEXT

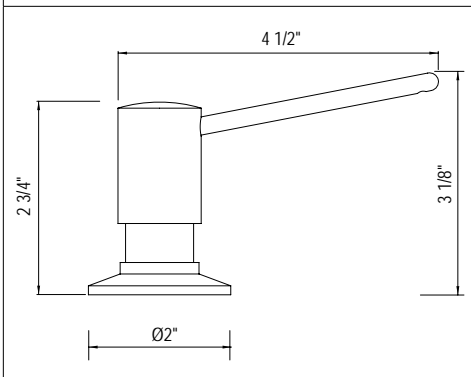
Suggested Retail Price		
APC	PN	STN
417	459	502



LS450 Lux™ II Soap/Lotion Dispenser



Suggested Retail Price			
APC	PN	STN	MB
152	152	175	175

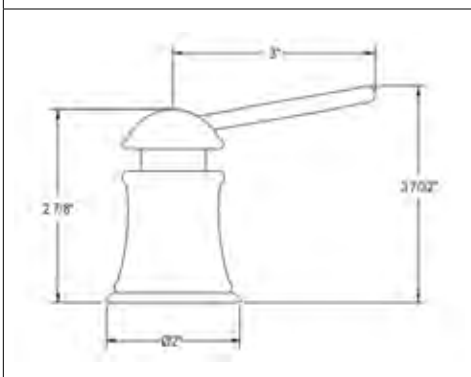


LS750 Lux™ Soap/Lotion Dispenser



• Deep deck extension available, order part: LS850PEXT

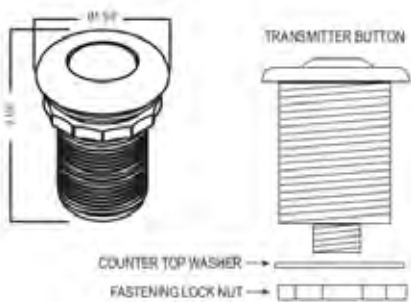
Suggested Retail Price		
APC	PN	STN
213	264	266



LS950C Transitional Soap/Lotion Dispenser



Suggested Retail Price		
APC	PN	STN
184	184	210



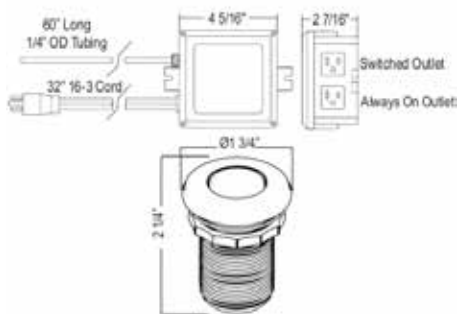
AS425 Air Activated Switch Button Only For Waste Disposal

Suggested Retail Price

APC	PN	STN	MB
97	109	109	109



- Does not come with control box, button only



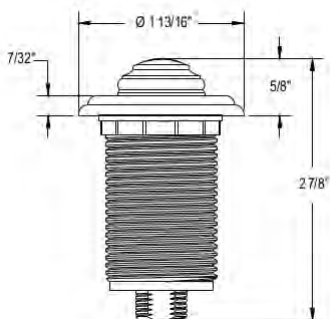
AS450 Air Activated Switch Button With Control Box For Waste Disposal

Suggested Retail Price

APC	PN	STN	MB
292	304	304	304



- Control box with mounting hardware included



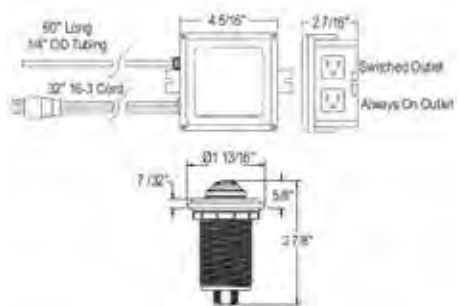
AS525 ROHL® Decorative Air Activated Switch Button Only For Waste Disposal

Suggested Retail Price

APC	PN	STN	MB
151	151	171	170



- Does not come with control box, button only
- Includes ROHL branding on top of button



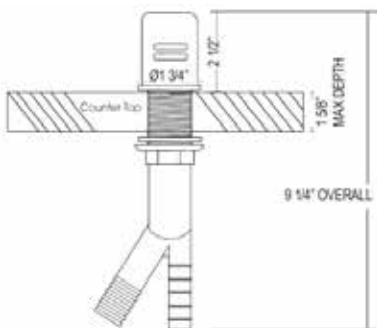
AS550 ROHL® Decorative Air Activated Switch Button With Control Box For Waste Disposal

Suggested Retail Price

APC	PN	STN	MB
346	346	366	365



- Control box with mounting hardware included
- Includes ROHL branding on top of button

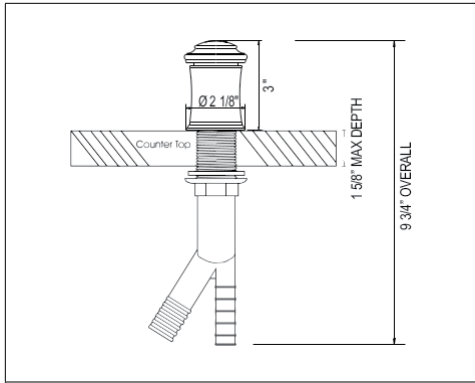


AG600 Air Gap

Suggested Retail Price

APC	PN	STN	MB
68	79	79	79





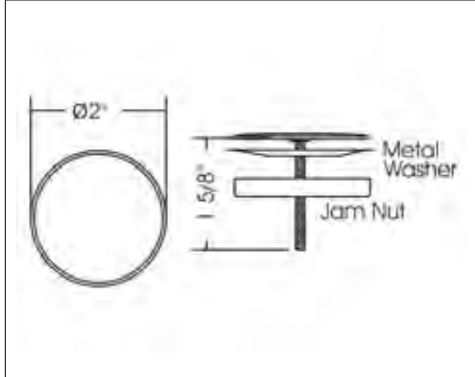
AG700 ROHL® Decorative Air Gap

Suggested Retail Price

APC	PN	STN	MB
181	195	195	195



- Includes ROHL branding on top of air gap



SHC-1 Sink Hole Cover

Suggested Retail Price

APC	PN	STN	MB
16	37	37	27



- Biscuit coordinates with Shaws® Fireclay Parchment sinks

QUARTILE™

Authentically Crafted in Italy

The four-sided design of the Quartile™ Collection is attenuated, creating a line that is sharp and slender. Inspired by the cubic architecture of the Università Luigi Bocconi in Milan, the squared-off shape brings a contemporary European flair. Designed and made in Italy, the form is confidently current.



Handle Options



Available Finishes:



Polished Chrome
APC



Polished Nickel
PN



Satin Nickel
STN



Matte Black
MB

See product page for available finishes

CU57LAPC

1983

ACQUI

CAMPO

CINQUANTA

GOTHAM

GRACELINE

LOMBARDIA

LUX

PATRIZIA

PIRELLONE

QUARTILE

SAN JULIO

TUARIO

1983

ACQUI

CAMPO

CINQUANTA

GOTHAM

GRACELINE

LOMBARDIA

LUX

PATRIZIA

PIRELLONE

QUARTILE

SAN JULIO

TUARIO

KITCHEN & BAR FAUCETS



CU253
page 116



CU57
page 116



QL66
page 118



RKIT7517
page 116



GKIT7545
page 117

FILTRATION / OTHER



OTHER CONSIDERATIONS

See product page for available finishes.



LS450
page 118



LS750
page 119



LS950C
page 119



LS2150
page 118

SOAP DISPENSERS



AS450
page 119



AS550
page 120

AIR SWITCH



6337
page 6



6347
page 4



RC3017
Shaws® Price Book



RC4018
Shaws® Price Book

SINKS



RSS3018
page 15



RSS3518
page 16



APC



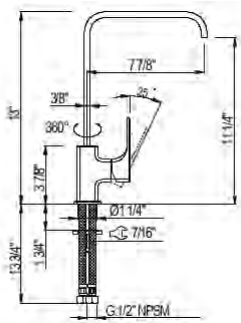
PN



STN



MB



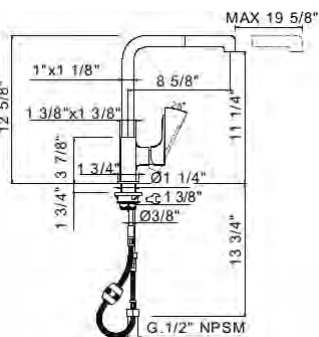
CU253 Quartile™ Side Lever Bar/Food Prep Faucet



Suggested Retail Price

Handle	APC	PN	STN
L	601	691	850

- 1.8 GPM
- Requires 2 1/2" clearance from backsplash to center of faucet hole
- Matching bar/prep faucet for CU57



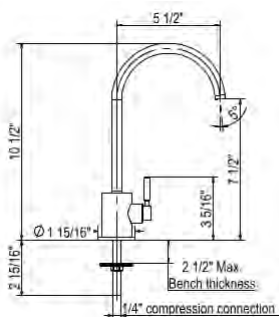
CU57 Quartile™ Pull-Out Side Lever Kitchen Faucet



Suggested Retail Price

Handle	APC	PN	STN
L	774	897	1,108

- 1.8 GPM
- Requires 2 1/2" clearance from backsplash to center of faucet hole



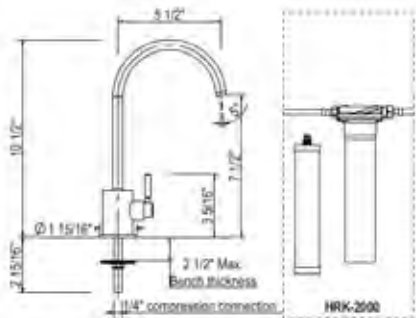
R7517 Lux™ C-Spout Filter Faucet



Suggested Retail Price

Handle	APC	PN	STN	MB
LM	304	335	381	396

- 5 GPM at 45 PSI
- Not suitable for R.O. systems or as a hot water dispenser
- Order HRK-2000 filter system to complete



RKIT7517 Lux™ C-Spout Filter Faucet



Suggested Retail Price

Handle	APC	PN	STN	MB
LM	924	955	1,001	1,016

- 5 GPM at 45 PSI
- Not suitable for R.O. systems or as a hot water dispenser
- Kit includes:
 - R7517
 - HRK-2000



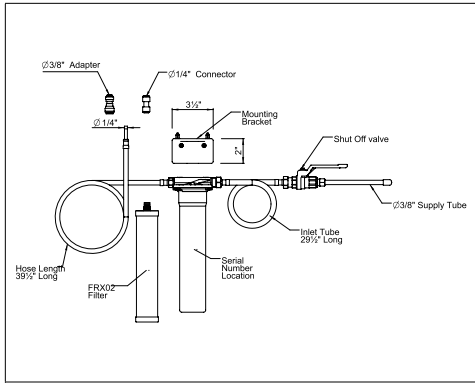
HRF-1000 Arolla™ Replacement Filter Unit Only



Suggested Retail Price

Handle	APC	PN	STN	MB
				N/A
				102

- Replacement filter for HRK-2000 filter system.
- Recommend changing filter every 6 months



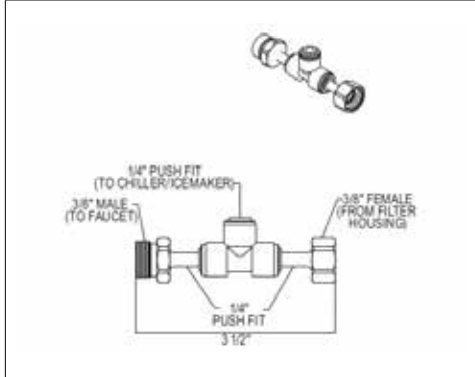
HRK-2000 Arolla™ Inline Filter System Complete With Cartridge



- Does not come with faucet
- For replacement filter, order HRF-1000

Suggested Retail Price

	N/A
	620



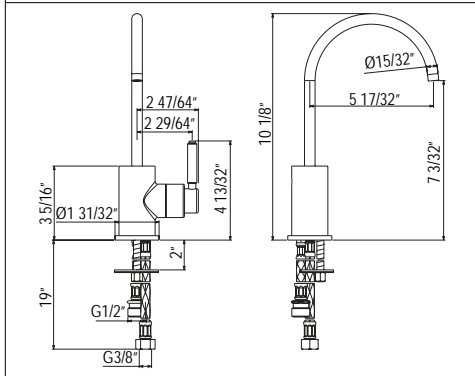
U.1810 Perrin & Rowe® Inline Ice Maker T-Connector



- For use with HRK-2000: \$620

Suggested Retail Price

	N/A
	147



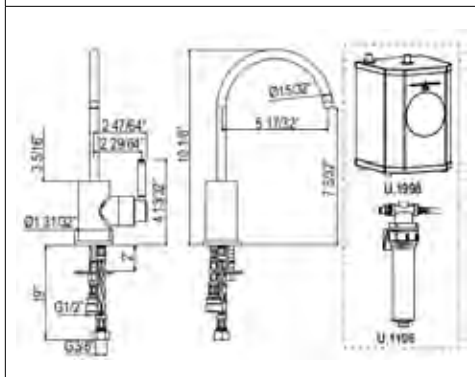
G7545 Lux™ C-Spout Hot Water Faucet



- 5 year warranty
- For use with U.1998 high performance hot water tank and U.1106 filter
- Hot water .5 GPM at 45 PSI
- Not compatible with ISE tanks

Suggested Retail Price

Handle	APC	PN	STN	MB
LM	321	415	615	615



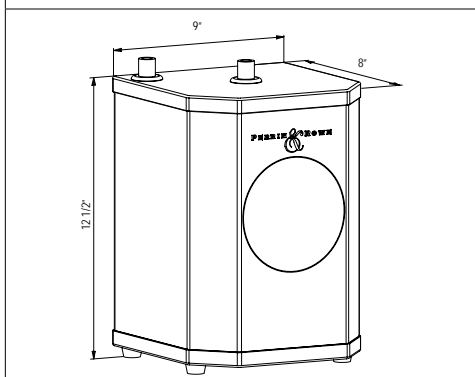
GKIT7545 Lux™ C-Spout Hot Water Faucet, Tank And Filter Kit



- Kit includes:
 - U.1998 Hot water tank
 - G7545LM-2 Hot water faucet
 - U.1106 Hot water filter
- Order U.PRF1 for hot water replacement filter cartridge
- Not compatible with ISE tanks

Suggested Retail Price

Handle	APC	PN	STN	MB
LM	1,526	1,620	1,820	1,820



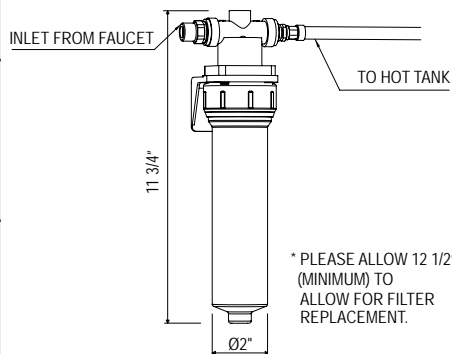
U.1998 High Performance Hot Water Tank



- 3-Year limited warranty
- Not compatible with ISE type dispensers

Suggested Retail Price

	N/A
	861



U.1106 Hot Water Inline Filter With Cartridge

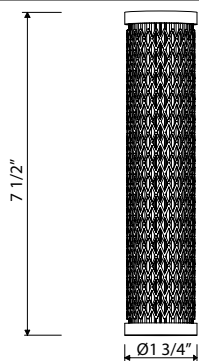
Suggested Retail Price

N/A

344



- Order U.PRF1 for hot water replacement filter cartridge every 6 months: \$119



U.PRF1 Hot Water Replacement Filter Cartridge

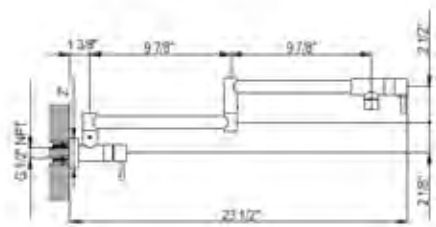
Suggested Retail Price

N/A

119



- Designed for use with U.1106 hot water filtration system
- Recommended 6 month replacement



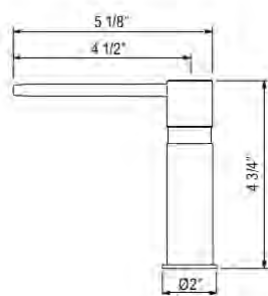
QL66 Modern Pot Filler

Suggested Retail Price

Handle	APC	PN	STN	MB
L	1,440	1,644	2,016	2,016



- 1.8 GPM



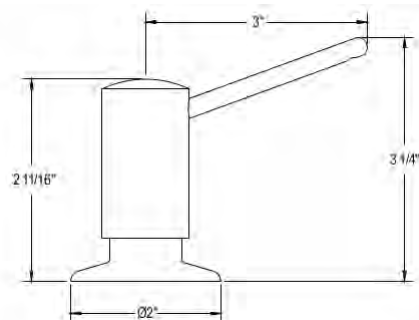
LS2150 Modern Luxury Soap/Lotion Dispenser

Suggested Retail Price

APC	PN	STN	MB
417	459	502	438



- Deep deck extension available, order part: LS850PEXT



LS450 Lux™ II Soap/Lotion Dispenser

Suggested Retail Price

APC	PN	STN	MB
152	152	175	175





APC



PN

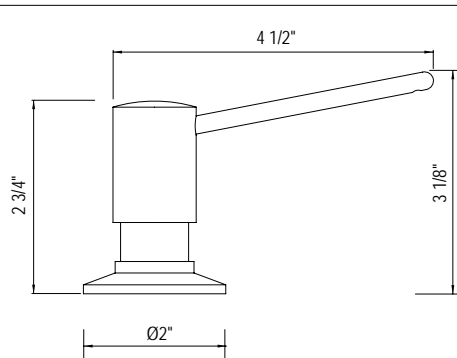


STN



MB

1983

**LS750 Lux™ Soap/Lotion Dispenser****Suggested Retail Price**

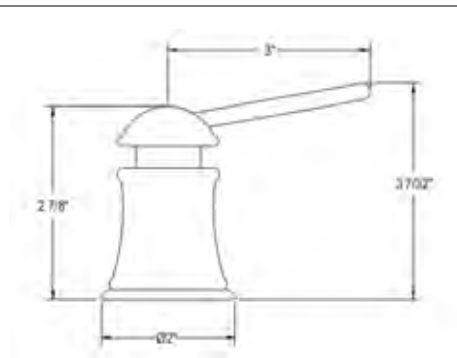
APC	PN	STN
213	264	266



- Deep deck extension available, order part: LS850PEXT

ACQUI

CAMPO

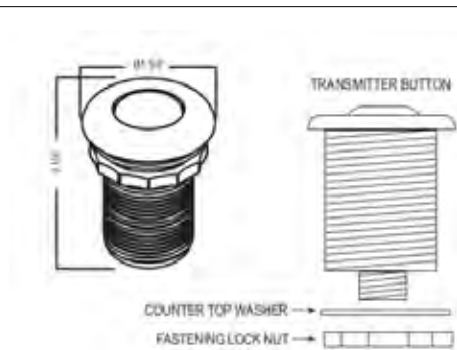
**LS950C Transitional Soap/Lotion Dispenser****Suggested Retail Price**

APC	PN	STN
184	184	210



CINQUANTA

GOTHAM

**AS425 Air Activated Switch Button Only For Waste Disposal****Suggested Retail Price**

APC	PN	STN	MB
97	109	109	109

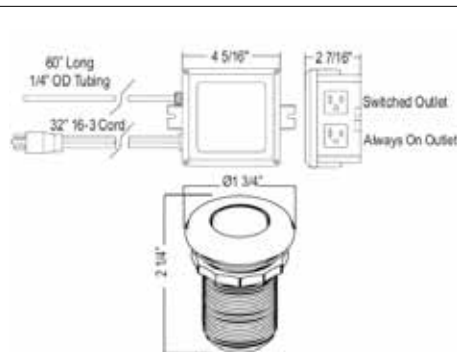


- Does not come with control box, button only

GRACELINE

LOMBARDIA

LUX

**AS450 Air Activated Switch Button With Control Box For Waste Disposal****Suggested Retail Price**

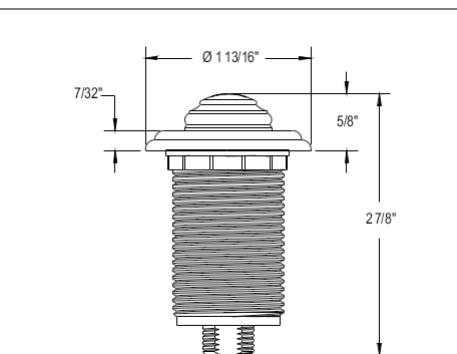
APC	PN	STN	MB
292	304	304	304



- Control box with mounting hardware included

PATRIZIA

PIRELLONE

**AS525 ROHL® Decorative Luxury Air Activated Switch Button Only For Waste Disposal****Suggested Retail Price**

APC	PN	STN	MB
151	151	171	170

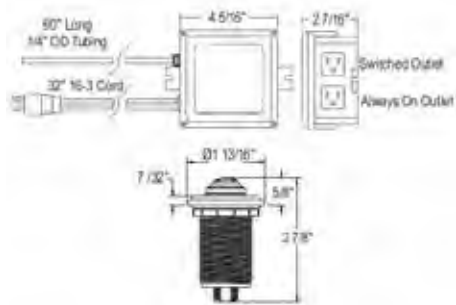


- Does not come with control box, button only
- Includes ROHL branding on top of button

QUARTILE

SAN JULIO

TUUARIO



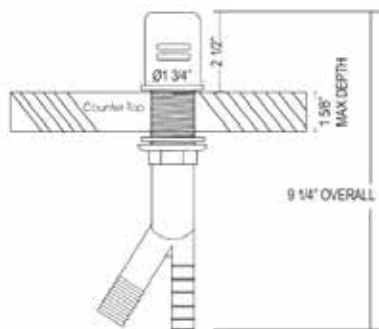
AS550 ROHL® Decorative Luxury Air Activated Switch Button With Control Box For Waste Disposal

Suggested Retail Price

APC	PN	STN	MB
346	346	366	365



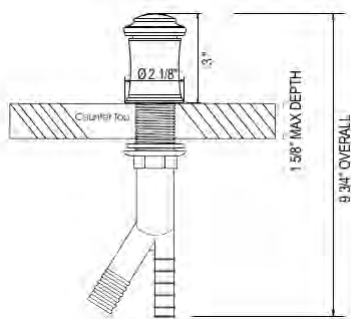
- Control box with mounting hardware included
- Includes ROHL branding on top of button



AG600 Luxury Air Gap

Suggested Retail Price

APC	PN	STN	MB
68	79	79	79



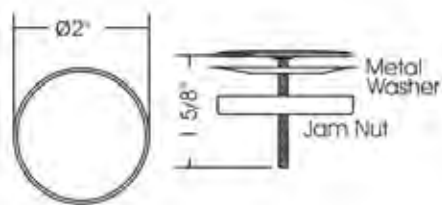
AG700 ROHL® Decorative Luxury Air Gap

Suggested Retail Price

APC	PN	STN	MB
181	195	195	195



- Includes ROHL branding on top of air gap



SHC-1 Sink Hole Cover

Suggested Retail Price

APC	PN	STN	MB
16	37	37	27



- Biscuit coordinates with Shaws® Fireclay Parchment sinks

SAN JULIO®

Authentically Crafted in Italy

The classically traditional San Julio® Collection was named for Isola di San Giulio, an island in Lago d'Orta situated in Northwestern Italy. Known for the Basilica di San Giulio and its picturesque villas and palazzos, the island retreat influenced the look and feel of the Collection. Crafted in Italy only a short distance from the island of its inspiration.



Handle Options



Metal Lever
LM



Cross Handle
XM



Porcelain Lever
LP



Cross Handle
XM

Available Finishes:



Polished Chrome
APC



Polished Nickel
PN



Tuscan Brass®
TCB



Satin Nickel
STN



Italian Brass
IB

See product page for available finishes

A1461LMWSPN

1983

ACQUI

CAMPO

CINQUANTA

GOTHAM

GRACELINE

LOMBARDIA

LUX

PATRIZIA

PIRELLONE

QUARTILE

SAN JULIO

TUARIO

KITCHEN & BAR FAUCETS



A1676WS
page 125



A1461WS
page 124



A1467
page 124



A1667
page 124

FILTRATION / OTHER



A1451
page



A1445
page 127



AKIT1635
page 125



GKIT1655
page 126



OTHER CONSIDERATIONS

See product page for available finishes.



LS450
page 128



LS750
page 128



LS650C
page 127



LS850P
page 127

SOAP DISPENSERS



AS450
page 128



AS550
page 129

AIR SWITCH



NEW

AL3220AF1
page 5



6497
page 5

SINKS



RC3017
Shaws® Price Book



RC3618
Shaws® Price Book



RWKIT49161
page 18



RSS3318
page 15



APC



PN



STN



TCB



IB



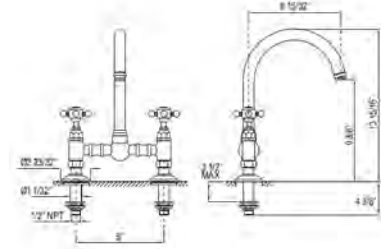
A1461 San Julio® Deck Mount C-Spout Bridge Kitchen Faucet

Suggested Retail Price

Handle	APC	PN	STN	IB	TCB
LM	810	892	1,099	1,151	1,151
LP	810	892	1,099	1,151	1,151
X	810	892	1,099	1,151	1,151
XM	810	892	1,099	1,151	1,151



• 1.5 GPM



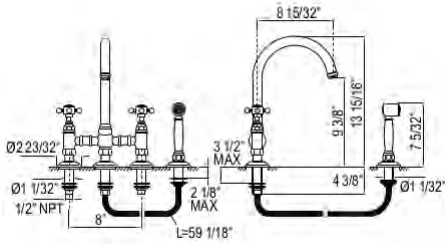
A1461WS San Julio® Deck Mount C-Spout Bridge Kitchen Faucet With Sidespray

Suggested Retail Price

Handle	APC	PN	STN	IB	TCB
LM	1,298	1,428	1,835	1,844	1,844
LP	1,298	1,428	1,835	1,844	1,844
X	1,298	1,428	1,835	1,844	1,844
XM	1,298	1,428	1,835	1,844	1,844



• 1.5 GPM



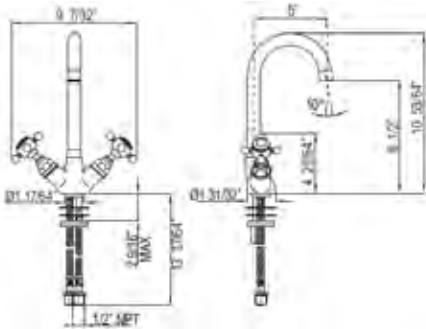
A1467 San Julio® C-Spout Bar/Food Prep Faucet

Suggested Retail Price

Handle	APC	PN	STN	IB	TCB
X	572	629	788	812	812
XM	572	629	788	812	812



- Matching bar faucet for A1466XM/X
- 1.5 GPM
- 4" deep deck extension kit, order part # C7555EXT



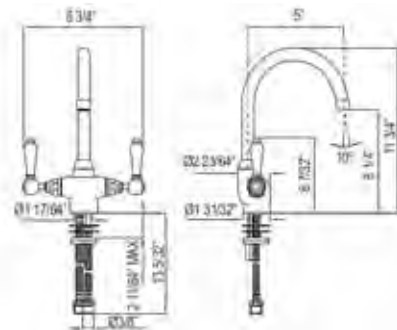
A1667 San Julio® C-Spout Bar/Food Prep Faucet

Suggested Retail Price

Handle	APC	PN	STN	IB	TCB	ULB
LM	547	602	730	778	778	778
LP	547	602	730	778	778	778



- Matching bar faucet for A1676
- 1.5 GPM
- 4" deep deck extension kit, order part # C7555EXT



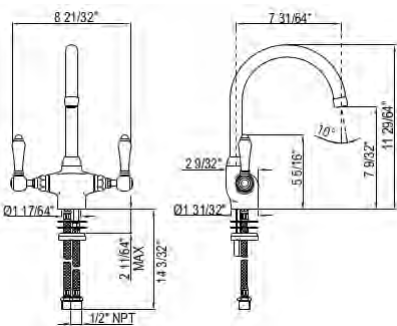
A1676 San Julio® C-Spout Kitchen Faucet

Suggested Retail Price

Handle	APC	PN	STN	IB	TCB
LM	611	673	810	869	869
LP	611	673	810	869	869



- 1.5 GPM
- Matches bar faucet A1667
- 4" deep deck extension kit, order part # C7555EXT





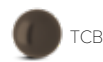
APC



PN



STN

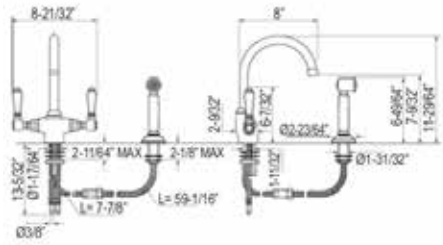


TCB



IB

1983



A1676WS San Julio® C-Spout Kitchen Faucet With Sidespray



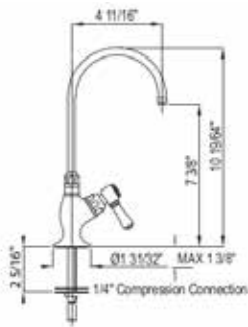
- 1.5 GPM
- Matches bar faucet A1667
- 4" deep deck extension kit, order part # C7555EXT

Suggested Retail Price

Handle	APC	PN	STN	IB	TCB
LM	782	860	1,082	1,110	1,110
LP	782	860	1,082	1,110	1,110

ACQUI

CAMPO



A1635 San Julio® C-Spout Filter Faucet



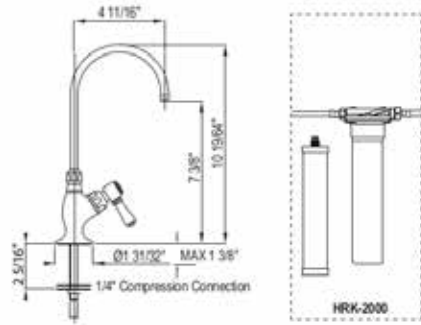
- 1/4" compression connection not included
- Designed to work with our HRK-2000 filtration system
- Not suitable for R.O. systems or instant hot systems

Suggested Retail Price

Handle	APC	PN	STN	IB	TCB	ULB
LM	342	342	488	488	488	488
LP	342	342	488	488	488	488
X	342	342	488	488	488	488
XM	342	342	488	488	488	488

CINQUANTA

GOTHAM



AKIT1635 San Julio® C-Spout Filter Faucet



- Filtered Water .5 GPM at 45 PSI
- Designed to work with our HRK-2000 filtration system
- Not suitable for R.O. systems or instant hot systems
- Kit includes:
 - A1635
 - HRK-2000

Suggested Retail Price

Handle	APC	PN	STN	IB	TCB	ULB
LM	962	962	1,108	1,108	1,108	1,108
LP	962	962	1,108	1,108	1,108	1,108
X	962	962	1,108	1,108	1,108	1,108
XM	962	962	1,108	1,108	1,108	1,108

GRACELINE

LOMBARDIA



HRF-1000 Arolla™ Replacement Filter Unit Only



- Replacement filter for HRK-2000 filter system.
- Recommend changing filter every 6 months

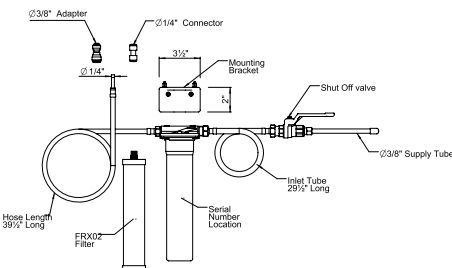
Suggested Retail Price

N/A
102

LUX

PATRIZIA

PIRELLONE



HRK-2000 Arolla™ In-line Filter System Complete With Cartridge



- Does not come with faucet
- For replacement filter, order HRF-1000

Suggested Retail Price

N/A
620

QUARTILE

SAN JULIO

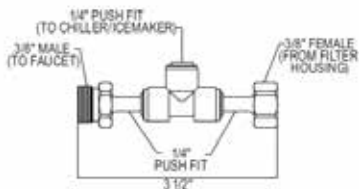
TUUARIO



U.1810 Perrin & Rowe® Inline Ice Maker T-Connector

Suggested Retail Price

N/A
147

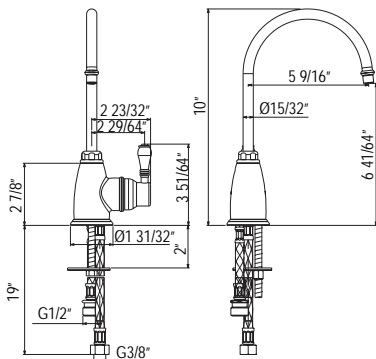


- For use with HRK-2000: \$620

G1655 San Julio® Traditional C-Spout Hot Water Faucet

Suggested Retail Price

Handle	APC	PN	STN	IB	TCB	ULB
LM	368	476	615	655	615	615

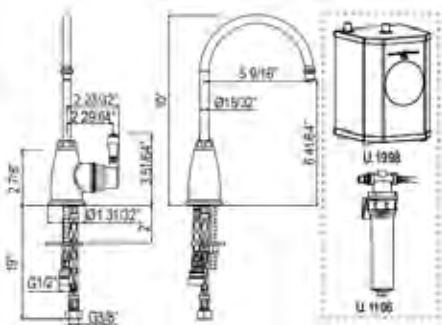


- 5 year warranty
- For use with U.1998 high performance hot water tank and U.1106 filter
- Hot water .5 GPM at 45 PSI
- Not compatible with ISE tanks

GKIT1655 San Julio® Traditional C-Spout Hot Water Faucet, Tank And Filter Kit

Suggested Retail Price

Handle	APC	PN	STN	IB	TCB	ULB
LM	1,573	1,681	1,820	1,860	1,820	1,820

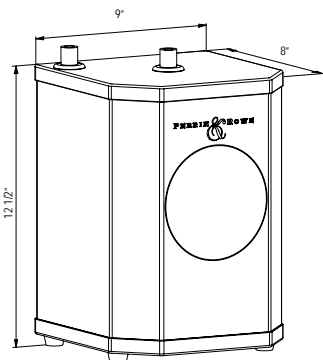


- Kit includes:
 - U.1998 Hot water tank
 - G1655LM-2 Hot water faucet
 - U.1106 Hot water filter
- Order U.PRF1 for hot water replacement filter cartridge
- Not compatible with ISE tanks

U.1998 High Performance Hot Water Tank

Suggested Retail Price

N/A
861

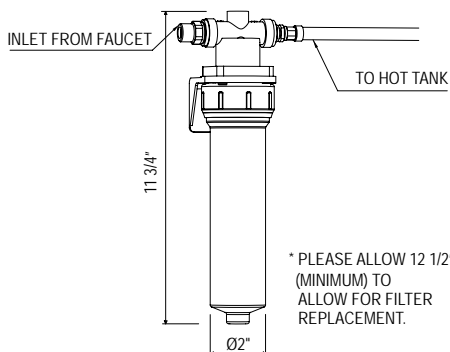


- 3-Year limited warranty
- Not compatible with ISE type dispensers

U.1106 Hot Water Inline Filter With Cartridge

Suggested Retail Price

N/A
344



- Order U.PRF1 for hot water replacement filter cartridge every 6 months: \$119



APC



PN



STN

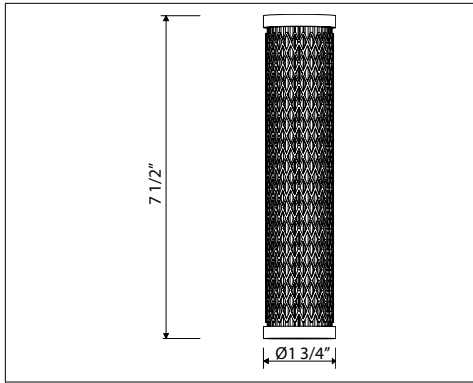


TCB



IB

1983



U.PRF1 Hot Water Replacement Filter Cartridge

Suggested Retail Price

N/A

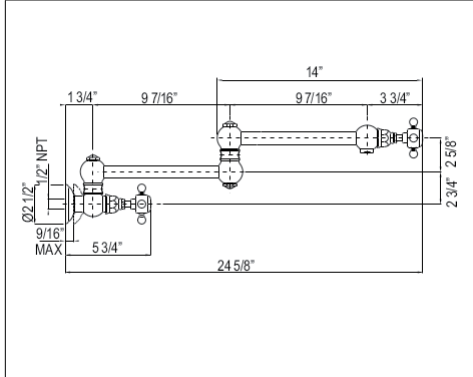
119



- Designed for use with U.1106 hot water filtration system
- Recommended 6 month replacement

ACQUI

CAMPO



A1451 Wall Mount Swing Arm Pot Filler

Suggested Retail Price

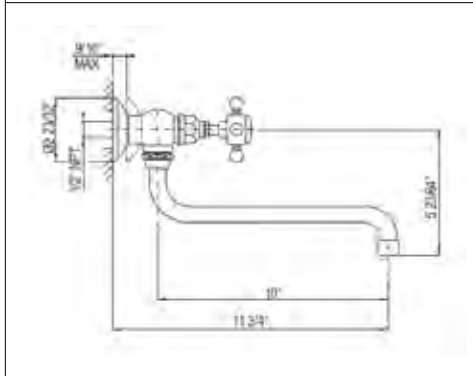
Handle	APC	PN	STN	IB	TCB	ULB
LM	1,103	1,214	1,406	1,567	1,567	1,567
LP	1,103	1,214	1,406	1,567	1,567	1,567
X	1,103	1,214	1,406	1,567	1,567	1,567
XM	1,103	1,214	1,406	1,567	1,567	1,567



- 1.5 GPM

CINQUANTA

GOTHAM



A1445 Wall Mount 11 3/4" Reach Pot Filler

Suggested Retail Price

Handle	APC	PN	STN	IB	TCB	ULB
X	338	373	469	481	481	481
XM	338	373	469	481	481	481



- 1.5 GPM

GRACELINE

LOMBARDIA

LUX



LS650C Soap/Lotion Dispenser

Suggested Retail Price

APC	PN	STN	TCB
245	269	302	302



- Deep deck extension available, order part: LS850PEXT

PATRIZIA

PIRELLONE



LS850P Traditional Style Soap/Lotion Dispenser

Suggested Retail Price

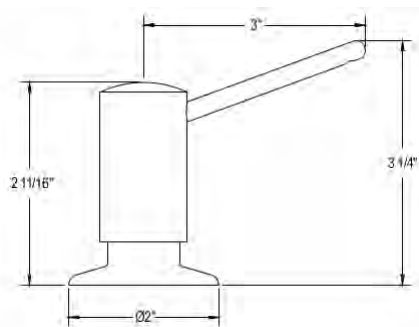
APC	PN	STN	IB	ULB
304	335	360	415	456



QUARTILE

SAN JULIO

TUARIO

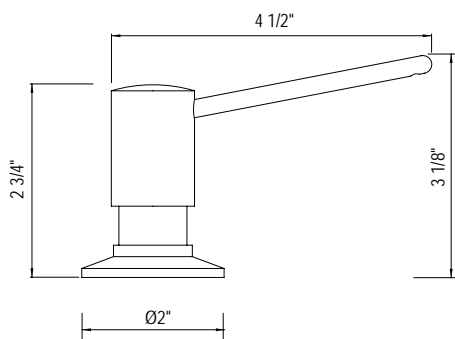


LS450 Lux™ II Soap/Lotion Dispenser



Suggested Retail Price

APC	PN	STN
152	152	175



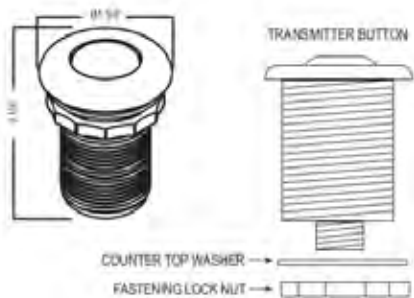
LS750 Lux™ Soap/Lotion Dispenser



Suggested Retail Price

APC	PN	STN
213	264	266

- Deep deck extension available, order part: LS850PEXT



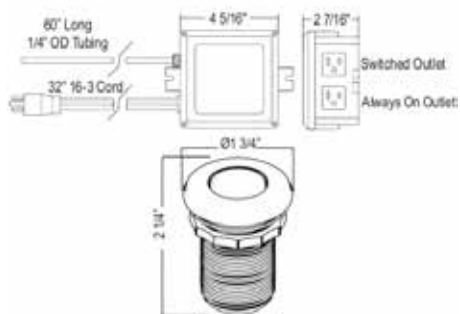
AS425 Air Activated Switch Button Only For Waste Disposal



Suggested Retail Price

APC	PN	STN	IB	TCB
97	109	109	109	109

- Does not come with control box, button only



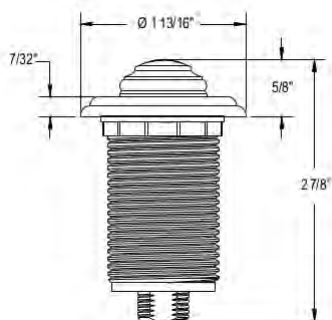
AS450 Air Activated Switch Button With Control Box For Waste Disposal



Suggested Retail Price

APC	PN	STN	IB	TCB
292	304	304	304	304

- Control box with mounting hardware included



AS525 ROHL® Decorative Luxury Air Activated Switch Button Only For Waste Disposal



Suggested Retail Price

APC	PN	STN	IB	TCB	ULB
151	151	171	171	171	165

- Does not come with control box, button only
- Includes ROHL branding on top of button



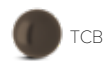
APC



PN



STN

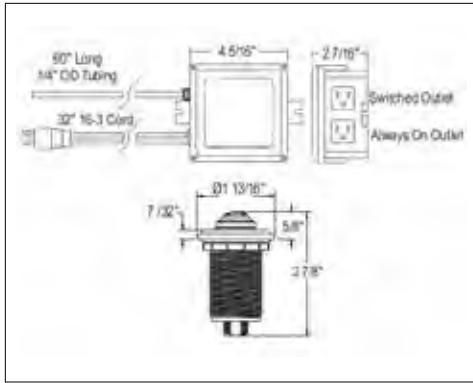


TCB



IB

1983



AS550 ROHL® Decorative Luxury Air Activated Switch Button With Control Box For Waste Disposal

Suggested Retail Price

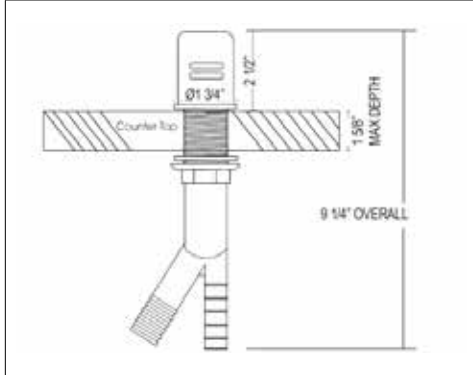
APC	PN	STN	IB	TCB	ULB
346	346	366	366	366	360



- Control box with mounting hardware included
- Includes ROHL branding on top of button

ACQUI

CAMPO



AG600 Luxury Air Gap

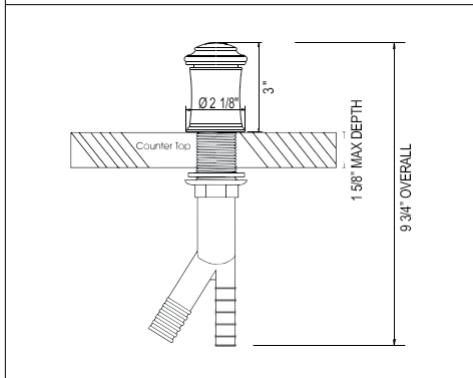
Suggested Retail Price

APC	PN	STN	IB	TCB
68	79	79	79	79



CINQUANTA

GOTHAM



AG700 ROHL® Decorative Luxury Air Gap

Suggested Retail Price

APC	PN	STN	IB	TCB
181	195	195	195	195

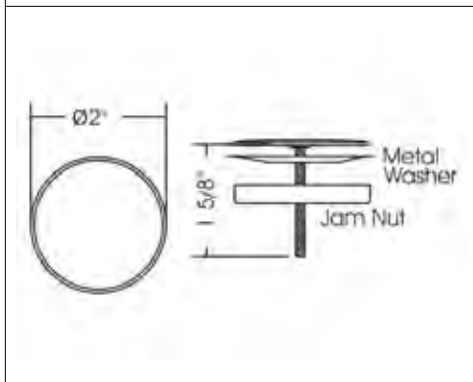


- Includes ROHL branding on top of air gap

GRACELINE

LOMBARDIA

LUX



SHC-1 Sink Hole Cover

Suggested Retail Price

APC	PN	STN	IB	TCB
16	37	37	117	79



- Biscuit coordinates with Shaws® Fireclay Parchment sinks

PATRIZIA

PIRELLONE

QUARTILE

SAN JULIO

TUARIO

TUARIO™

Authentically Crafted in Italy

Introducing the Tuario™ Pull-down Kitchen Faucet, offering contemporary styling along with the quality that one expects from the boutique faucet crafters located in the Italian province of Novara. Modern design touches include black handle and spout accents, multiple finish offerings and a unique spout shape that transitions into a pull-down handspray. Hand-finished components comprised of superior materials take what many refer to as just the kitchen faucet to a whole new level - it becomes the topic of conversation in the most social room of the house.



Available finishes:



Polished Chrome
APC



Polished Nickel
PN



Satin Nickel
STN



Matte Black
MB



Satin Gold
SG

See product page for available finishes

TR.55D1LBAPC

1983

ACQUI

CAMPO

CINQUANTA

GOTHAM

GRACELINE

LOMBARDIA

LUX

PATRIZIA

PIRELLONE

QUARTILE

SAN JULIO

TUARIO

1983

ACQUI

CAMPO

CINQUANTA

GOTHAM

GRACELINE

LOMBARDIA

LUX

PATRIZIA

PIRELLONE

QUARTILE

SAN JULIO

TUARIO

KITCHEN & BAR FAUCETS



TR55D1
page 134



TR56D1
page 135



TR60D1
page 134



TR65D1
page 134



TR61D1
page 134



TR66D1
page 134



QL66
page 137



RKIT7517
page 135



GKIT7545
page 136

FILTRATION / OTHER

OTHER CONSIDERATIONS

See product page for available finishes.



LS450
page 137



LS750
page 137



LS950C
page 138



LS2150
page 137

SOAP DISPENSERS



AS450
page 138



AS550
page 138

AIR SWITCH



6347
page 4



6497
page 5

SINKS



RC3618
Shaws® Price Book



NEW MS3518
Shaws® Price Book



RSA3018
page 19



RUWKIT36161
page 20

1983

ACQUI

CAMPO

CINQUANTA

GOTHAM

GRACELINE

LOMBARDIA

LUX

PATRIZIA

PIRELLONE

QUARTILE

SAN JULIO

TUARIO



APC



PN



STN



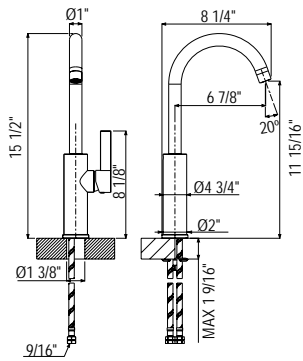
TCB



SG



ULB



NEW

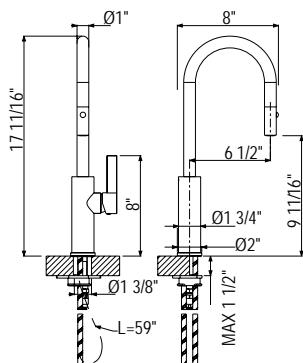
TR60D1 Tuario™ Bar/Food Prep Faucet - C Spout

Suggested Retail Price

Handle	APC	PN	STN	MB	SG
LB	538	646	673	700	765



- Available: Summer 2020
- 1.5 GPM
- Requires 2 1/2" clearance from backsplash to center of faucet hole
- Matching kitchen faucet TR55D1



NEW

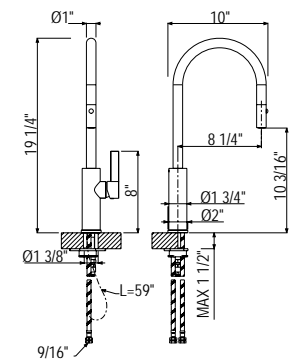
TR65D1 Tuario™ Pull-Down Bar/Food Prep Faucet - C Spout

Suggested Retail Price

Handle	APC	PN	STN	MB	SG
LB	698	838	873	907	991



- Available: Summer 2020
- 1.5 GPM
- Requires 2 1/2" clearance from backsplash to center of faucet hole
- Dual spray
- Matching kitchen faucet TR55D1



NEW

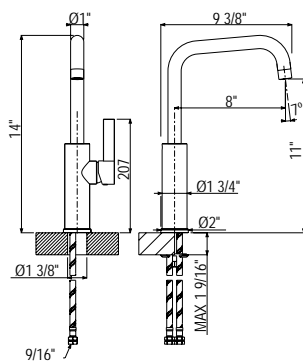
TR55D1 Tuario™ Pull-Down Faucet - C Spout

Suggested Retail Price

Handle	APC	PN	STN	MB	SG
LB	698	838	873	907	991



- Available: Summer 2020
- 1.5 GPM
- Requires 2 1/2" clearance from backsplash to center of faucet hole
- Dual spray
- Matching prep faucet TR65D1



NEW

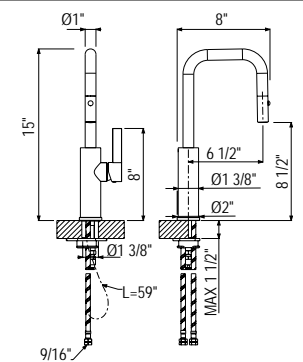
TR61D1 Tuario™ Bar/Food Prep Faucet - U Spout

Suggested Retail Price

Handle	APC	PN	STN	MB	SG
LB	538	646	673	699	764



- Available: Summer 2020
- 1.5 GPM
- Requires 2 1/2" clearance from backsplash to center of faucet hole
- Matching kitchen faucet TR56D1



NEW

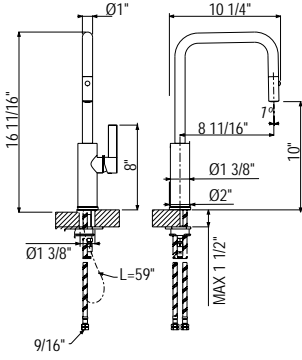
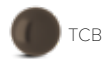
TR66D1 Tuario™ Pull-Down Bar/Food Prep Faucet - U Spout

Suggested Retail Price

Handle	APC	PN	STN	MB	SG
LB	698	838	873	907	991



- Available: Summer 2020
- 1.5 GPM
- Requires 2 1/2" clearance from backsplash to center of faucet hole
- Dual spray
- Matching kitchen faucet TR56D1



NEW

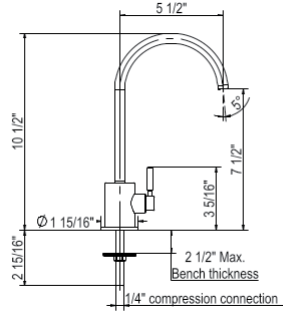
TR56D1 Tuario™ Pull-Down Faucet - U Spout



Suggested Retail Price

Handle	APC	PN	STN	MB	SG
LB	698	838	873	907	991

- Available: Summer 2020
- 1.5 GPM
- Requires 2 1/2" clearance from backsplash to center of faucet hole
- Dual spray
- Matching prep faucet TR66D1



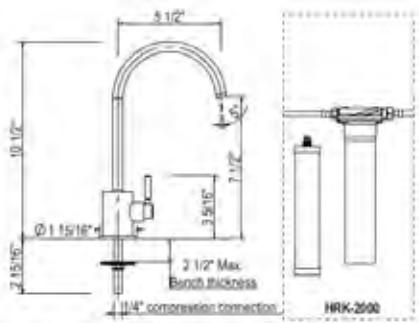
R7517 Lux™ C-Spout Filter Faucet



Suggested Retail Price

Handle	APC	PN	STN	SG	MB
LM	304	335	381	387	396

- .5 GPM at 45 PSI
- Not suitable for R.O. systems or as a hot water dispenser
- Order HRK-2000 filter system to complete



RKIT7517 Lux™ C-Spout Filter Faucet



Suggested Retail Price

Handle	APC	PN	STN	SS	MB
LM	924	955	1,001	1,007	1,016

- .5 GPM at 45 PSI
- Not suitable for R.O. systems or as a hot water dispenser
- Kit includes:
 - R7517
 - HRK-2000



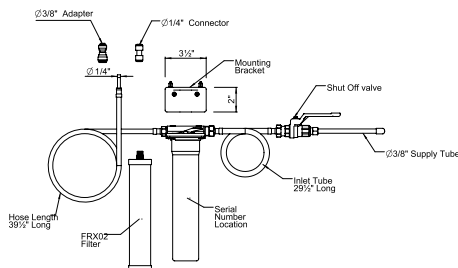
HRF-1000 Arolla™ Replacement Filter Unit Only



Suggested Retail Price

	N/A
	102

- Replacement filter for HRK-2000 filter system.
- Recommend changing filter every 6 months



HRK-2000 Arolla™ Inline Filter System Complete With Cartridge



Suggested Retail Price

	N/A
	620

- Does not come with faucet
- For replacement filter, order HRF-1000



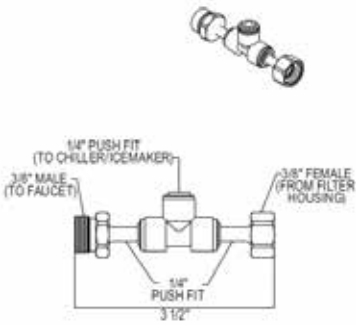
U.1810 Perrin & Rowe® Inline Ice Maker T-Connector

Suggested Retail Price

	APC	PN	STN	MB	TCB
	N/A				
	147				



- For use with HRK-2000: \$620



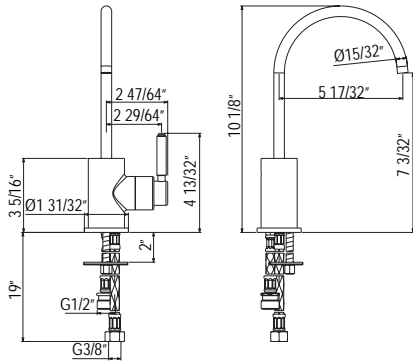
G7545 Lux™ C-Spout Hot Water Faucet

Suggested Retail Price

Handle	APC	PN	STN	MB	TCB
LM	321	415	615	615	615



- 5 year warranty
- For use with U.1998 high performance hot water tank and U.1106 filter
- Hot water .5 GPM at 45 PSI
- Not compatible with ISE tanks



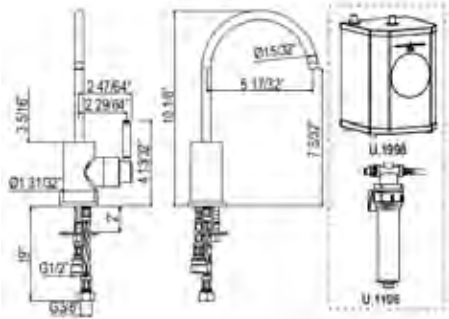
GKIT7545 Lux™ C-Spout Hot Water Faucet, Tank And Filter Kit

Suggested Retail Price

Handle	APC	PN	STN	MB	TCB
LM	1,526	1,620	1,820	1,820	1,820



- Kit includes:
 - U.1998 Hot water tank
 - G7545LM-2 Hot water faucet
 - U.1106 Hot water filter
- Order U.PRF1 for hot water replacement filter cartridge
- Not compatible with ISE tanks



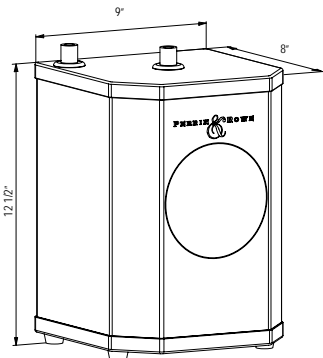
U.1998 High Performance Hot Water Tank

Suggested Retail Price

	APC	PN	STN	MB	TCB
	N/A				
	861				



- 3-Year limited warranty
- Not compatible with ISE type dispensers



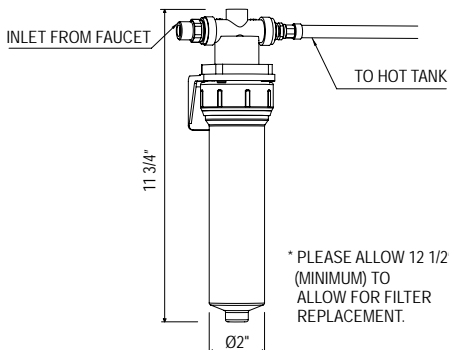
U.1106 Hot Water Inline Filter With Cartridge

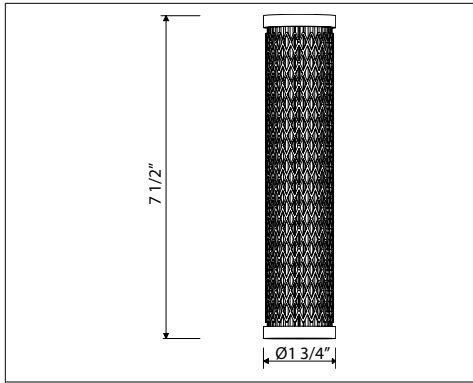
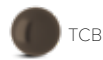
Suggested Retail Price

	APC	PN	STN	MB	TCB
	N/A				
	344				



- Order U.PRF1 for hot water replacement filter cartridge every 6 months: \$119





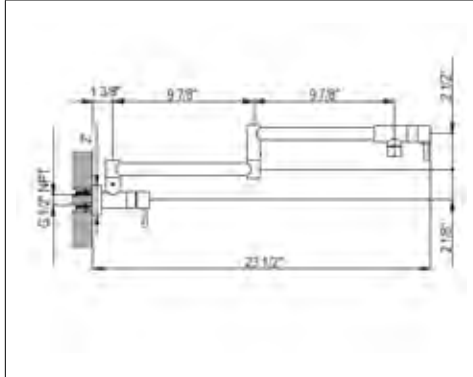
U.PRF1 Hot Water Replacement Filter Cartridge



Suggested Retail Price

N/A
119

- Designed for use with U.1106 hot water filtration system
- Recommended 6 month replacement



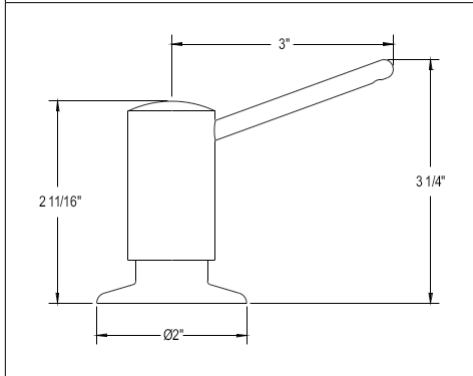
QL66 Modern Pot Filler



Suggested Retail Price

Handle	APC	PN	STN	MB
L	1,440	1,644	2,016	2,016

- 1.8 GPM

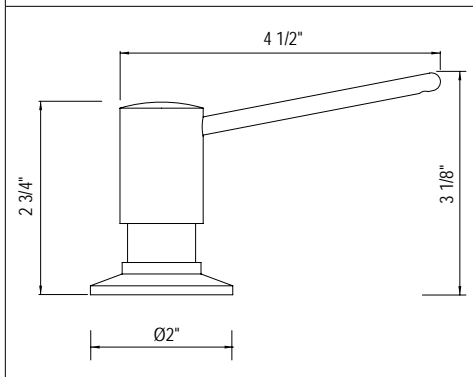


LS450 Lux™ II Soap/Lotion Dispenser



Suggested Retail Price

APC	PN	STN	SS	MB	SG
152	152	175	164	175	587



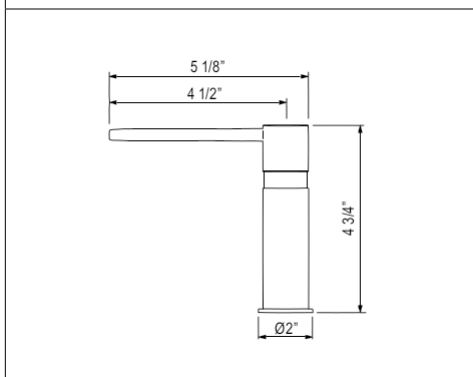
LS750 Lux™ Soap/Lotion Dispenser



Suggested Retail Price

APC	PN	STN
213	264	266

- Deep deck extension available, order part: LS850PEXT



LS2150 Modern Luxury Soap/Lotion Dispenser



Suggested Retail Price

APC	PN	STN	MB	SG
417	459	502	438	651

- Deep deck extension available, order part: LS850PEXT



APC



PN



STN



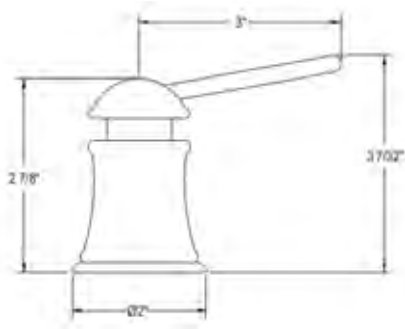
TCB



SG



ULB

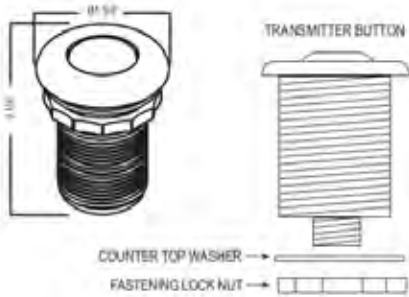


LS950C Transitional Soap/Lotion Dispenser



Suggested Retail Price

APC	PN	STN	TCB
184	184	210	210



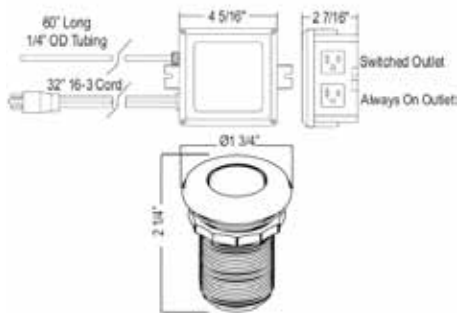
AS425 Air Activated Switch Button Only For Waste Disposal



Suggested Retail Price

APC	PN	STN	SS	IB	EB	EG	MB	SEG	SG	TCB	ULB
97	109	109	106	109	110	297	109	123	311	109	106

- Does not come with control box, button only



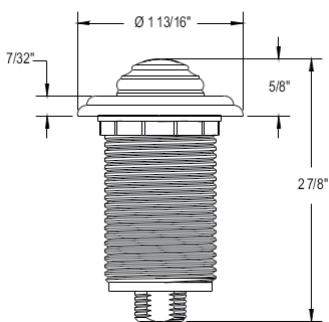
AS450 Air Activated Switch Button With Control Box For Waste Disposal



Suggested Retail Price

APC	PN	STN	SS	IB	EB	EG	MB	SEG	SG	TCB	ULB
292	304	304	301	304	305	492	304	318	506	304	304

- Control box with mounting hardware included



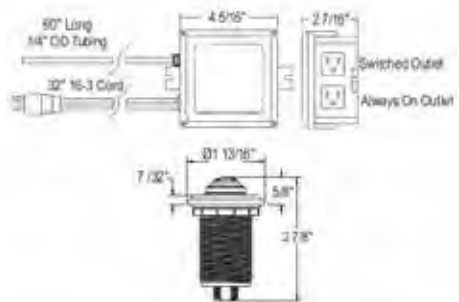
AS525 ROHL® Decorative Luxury Air Activated Switch Button Only For Waste Disposal



Suggested Retail Price

APC	PN	STN	IB	EB	MB	SEG	TCB	ULB
151	151	171	171	171	170	240	171	165

- Does not come with control box, button only
- Includes ROHL branding on top of button



AS550 ROHL® Decorative Luxury Air Activated Switch Button With Control Box For Waste Disposal



Suggested Retail Price

APC	PN	STN	IB	EB	EG	MB	SEG	TCB	ULB
346	346	366	366	366	523	365	435	366	360

- Control box with mounting hardware included
- Includes ROHL branding on top of button



APC



PN



STN



TCB

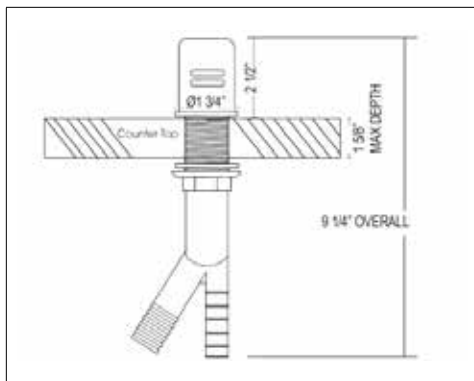


SG



ULB

1983



AG600 Luxury Air Gap

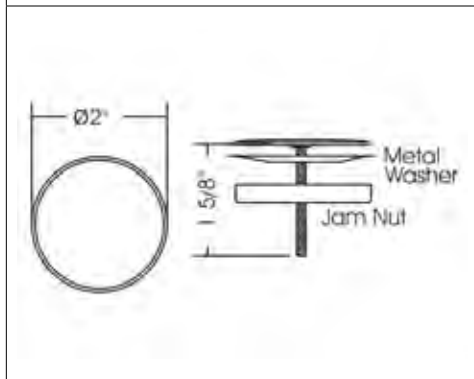


Suggested Retail Price

APC	PN	STN	SS	IB	EB	MB	SEG	SG	TCB
68	79	79	87	79	168	79	113	364	79

ACQUI

CAMPO



SHC-1 Sink Hole Cover



Suggested Retail Price

APC	PN	STN	IB	EB	MB	TCB	BK	WH	BS
16	37	37	117	79	27	79	27	27	27

- Biscuit coordinates with Shaws® Fireclay Parchment sinks

CINQUANTA

GOTHAM

GRACELINE

LOMBARDIA

LUX

PATRIZIA

PIRELLONE

QUARTILE

SAN JULIO

TUARIO

ACQUI®

Authentically Crafted in Italy

The hot springs of Acqui in Northern Italy are the inspiration for this classically styled collection. Acqui Terme, one of the oldest spa villages in Italy, was the revered destination of ancient Greeks and Romans alike where “taking the waters” was a favorite pastime. These thermal spas were the muse for the design of our Acqui® Collection. It takes its form from the ornate, highly decorated architectural and design influences of the region’s history. The Acqui® Collection is proudly made in the Italian Piemonte region by artisans using authentic materials, time-honored traditions and hand techniques passed down from generation to generation.



Handle Options



Metal Lever
LM



Cross Handle
XM



Porcelain Lever
LP



Crystal Metal Lever
LC



Crystal Cross Handle
XC

Available Finishes:



Polished Chrome
APC



Polished Nickel
PN



Tuscan Brass®
TCB



Satin Nickel
STN



Italian Brass
IB



Unlacquered Brass
ULB

See product page for available finishes

A1409LMPN

ACQUI

ARCANA

BELLIA

CAMPO

ECLISSI

GRACELINE

LOMBARDIA

MEDA

MISCELO

PALLADIAN

QUARTLIE

SERIES HIGHLIGHTS

ACQUI

ARCANA

BELLIA

CAMPO

ECLISSI

GRACELINE

LOMBARDIA

MEDA

MISCELO

PALLADIAN

QUARTLIE

FAUCETS



A3672
page 145



A1409
page 144



A1419
page 144



A1418
page 144



A1405/44
page 144



A1423
page 144



A1477
page 145

TUB FILLERS



A1404
page 146



T1587
page 148



A1401
page 148



AKIT1401N
page 148

SHOWER TRIMS



A2410N
page 150



A4914
page 193



A4964
page 330



A4917
page 149

PRESSURE BALANCE

1/2" THERMOSTATIC

3/4" THERMOSTATIC

SHOWER PACKAGES



page 157



page 157



page 158



page 158



page 159



page 159



OTHER CONSIDERATIONS

See product page for available finishes.



1037/8
page 372



1085/8
page 378



WI0123
page 380



1505/3
page 384



1151/8
page 388



B00102
page 389



SDPVC2/3-3146
page 408



1260
page 397



D63003
page 396



1252
page 396



1630KIT1
page 405



ROT1/24
page 152



ROT8
page 152



A1493
page 154



ROT7D
page 154



SB2015
Shaws® Price Book



SB1800
Shaws® Price Book



RADFORD
Victoria + Albert® Price Book



U.KIT113
Perrin & Rowe® Price Book

SHOWER

ACCESSORIES

BATH FIXTURES



APC



PN



STN



TCB



IB



ULB

ACQUI

ARCANA

BELLIA

CAMPO

ECLISSI

GRACELINE

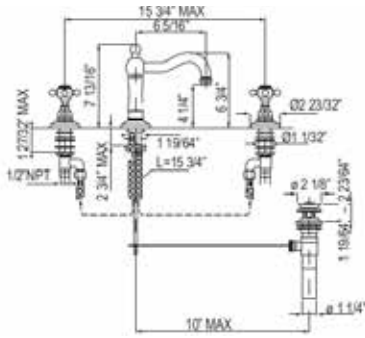
LOMBARDIA

MEDA

MISCELO

PALLADIAN

QUARTLIE



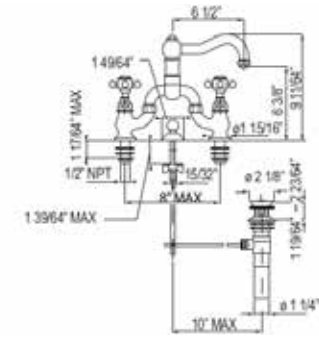
A1409 Acqui® Column Spout Widespread Lavatory Faucet

Suggested Retail Price

Handle	APC	PN	STN	IB	TCB	ULB
LC	1,212	1,334	1,536	1,721	1,721	
LM	769	846	1,027	1,092	1,092	1,092
LP	769	846	1,027	1,092	1,092	1,092
XC	1,212	1,334	1,536	1,721	1,721	
XM	769	846	1,027	1,092	1,092	1,092



- Matching tub filler A1404
- 1.2 GPM



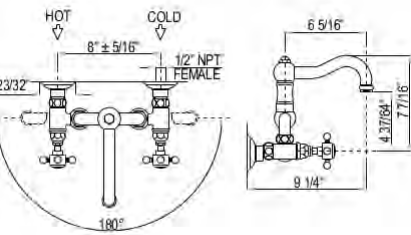
A1419 Acqui® Deck Mount Bridge Lavatory Faucet

Suggested Retail Price

Handle	APC	PN	STN	IB	TCB
LC	1,251	1,376	1,564	1,776	1,776
LM	1,001	1,102	1,252	1,422	1,422
LP	1,001	1,102	1,252	1,422	1,422
XC	1,251	1,376	1,564	1,776	1,776
XM	1,001	1,102	1,252	1,422	1,422



- Remote pop-up included
- 1.2 GPM
- Matching tub filler A1404



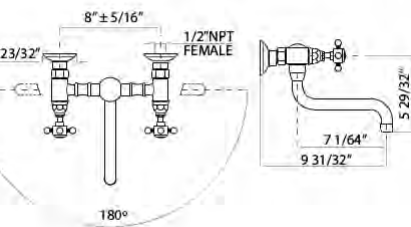
A1418 Acqui® Wall Mount Bridge Lavatory Faucet

Suggested Retail Price

Handle	APC	PN	STN	IB	TCB
LC	1,251	1,376	1,564	1,776	1,776
LM	1,001	1,102	1,252	1,422	1,422
LP	1,001	1,102	1,252	1,422	1,422
XC	1,251	1,376	1,564	1,776	1,776
XM	1,001	1,102	1,252	1,422	1,422



- Remote pop-up included
- 1.2 GPM
- Matching tub filler A1404
- 2" straight union extensions available, order part # C7205EXT+FINISH for a set of two.



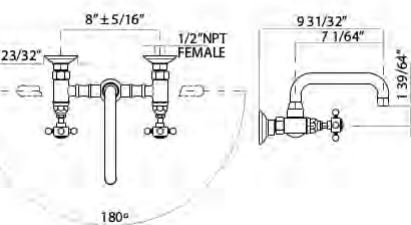
A1405/44 Acqui® Wall Mount Bridge Lavatory Faucet

Suggested Retail Price

Handle	APC	PN	STN	IB	TCB
LC	815	897	1,019	1,158	1,158
LM	642	706	839	912	912
LP	642	706	839	912	912
XC	815	897	1,019	1,158	1,158
XM	642	706	839	912	912



- Drain assembly not included with faucet. Must order drain to complete.
- 1.2 GPM
- Matching tub filler A1404
- 2" straight union extensions available, order part # C7205EXT+FINISH for a set of two.



A1423 Acqui® Wall Mount Bridge Lavatory Faucet

Suggested Retail Price

Handle	APC	PN	STN	IB	TCB
LC	815	897	1,019	1,158	1,158
LM	639	703	839	907	907
LP	639	703	839	907	907
XC	815	897	1,019	1,158	1,158
XM	639	703	839	907	907



- Drain assembly not included with faucet. Must order drain to complete.
- 1.2 GPM
- Matching tub filler A1404
- 2" straight union extensions available, order part # C7205EXT+FINISH for a set of two.



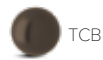
APC



PN



STN



TCB

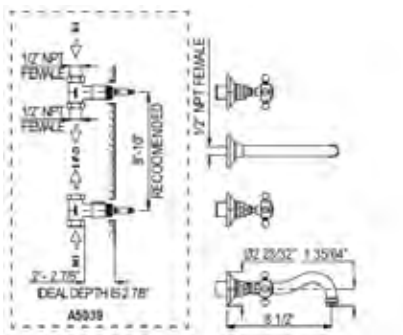


IB



ULB

ACQUI



A1477 Acqui® Wall Mount Widespread Lavatory Faucet

Suggested Retail Price

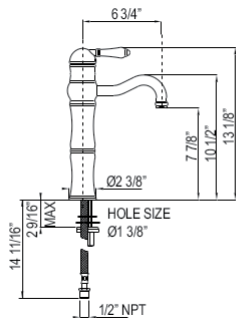
Handle	APC	PN	STN	IB	TCB	ULB
LC	1,065	1,065	1,563	1,775	1,775	
LM	751	751	1,170	1,330	1,330	1,330
LP	751	751	1,170	1,330	1,330	1,330
XC	1,065	1,172	1,408	1,513	1,513	
XM	751	751	1,170	1,330	1,330	1,330



- Rough valve sold separately
 - Order A5039L lever wall rough valve: \$185
 - Order A5039X cross wall rough valve: \$185
- Plumber to provide 1/2" male nipple T-fitting for spout installation
- 1.2 GPM aerator
- Drain assembly not included with faucet. Must order drain to complete.

ARCANA

BELLIA



A3672 Acqui® 13 1/8" Single Handle Tall Lavatory Faucet

Suggested Retail Price

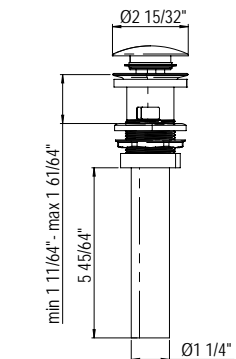
Handle	APC	PN	STN	IB	TCB
LC	1,113	1,226	1,396	1,581	1,581
LM	976	1,074	1,263	1,386	1,386
LP	976	1,074	1,263	1,386	1,386



- Drain assembly not included with faucet. Must order drain to complete.
- 1.2 GPM
- Matching tub filler A1404

CAMPO

ECLISSI



NEW

CC2310FWO Touch Seal Dome Drain for Overflow and No-Overflow Sinks

Suggested Retail Price

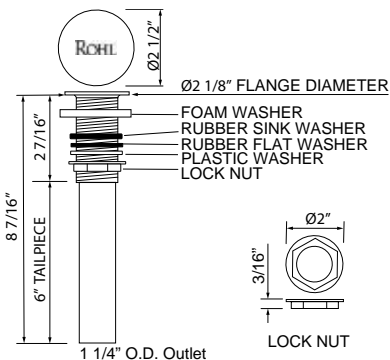
APC	STN	MB	SG
128	160	166	182

• Summer 2020



GRACELINE

LOMBARDIA



5445 Touch Seal Dome Drain With 6" Tailpiece for No-Overflow Sinks

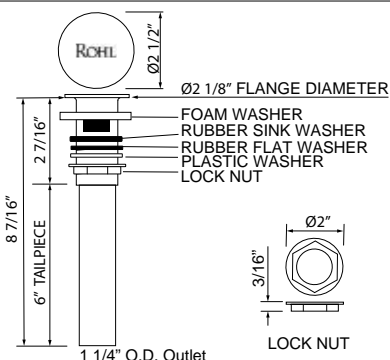
Suggested Retail Price

APC	PN	STN	IB	TCB	ULB
277	277	277	686	539	277



MEDA

MISCELO



5447 Slotted Touch Seal Dome Drain With 6" Tailpiece for Overflow Sinks

Suggested Retail Price

APC	PN	STN	IB	TCB	ULB
277	277	277	686	539	277



PALLADIAN

QUARTLIE

ACQUI

ARCANA

BELLIA

CAMPO

ECLISSI

GRACELINE

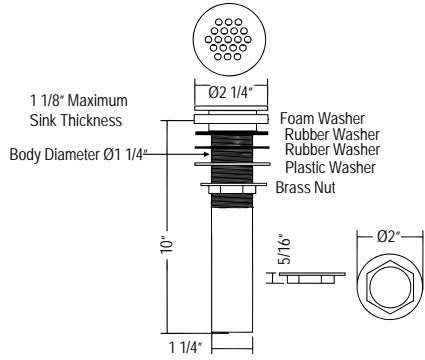
LOMBARDIA

MEDA

MISCELO

PALLADIAN

QUARTLIE

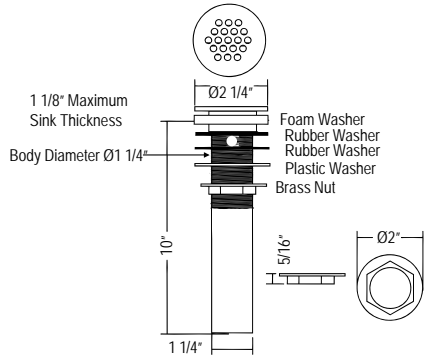


6442 Non Slotted Grid Drain for No-Overflow Sinks



Suggested Retail Price

APC	PN	STN	IB	TCB	ULB
249	249	249	526	426	249

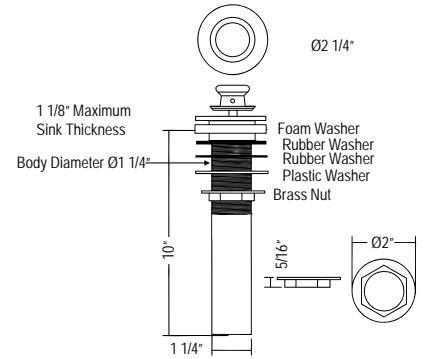


7444 Grid Drain for Overflow Sinks



Suggested Retail Price

APC	PN	STN	IB	TCB	ULB
249	249	249	526	426	249

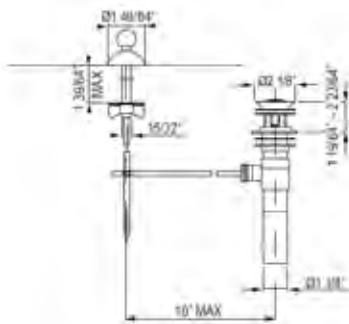


8446 Lift And Turn Drain for No-Overflow Sinks



Suggested Retail Price

APC	PN	STN	IB	TCB	ULB
281	281	281	614	504	281



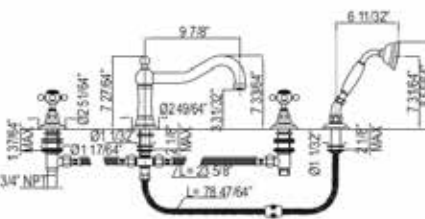
CNZREMOTE Remote Pop-Up Set



Suggested Retail Price

APC	PN	STN	IB	TCB	ULB
198	198	310	310	310	310

• Not for use with vessel bowls or bowls without overflow



A1404 Acqui® 4-Hole Deck Mount Column Spout Tub Filler With Handshower



Suggested Retail Price

Handle	APC	PN	STN	IB	TCB	ULB
LC	1,937	2,131	2,436	2,751	2,751	
LM	1,693	1,862	2,160	2,404	2,404	2,404
LP	1,693	1,862	2,160	2,404	2,404	2,404
XC	1,937	2,131	2,436	2,751	2,751	
XM	1,693	1,862	2,160	2,404	2,404	2,404

• Single-function brass handshower with metal insert
 • Matching lavatory faucet A1409
 • 9 GPM at 60 PSI



APC



PN



STN



TCB

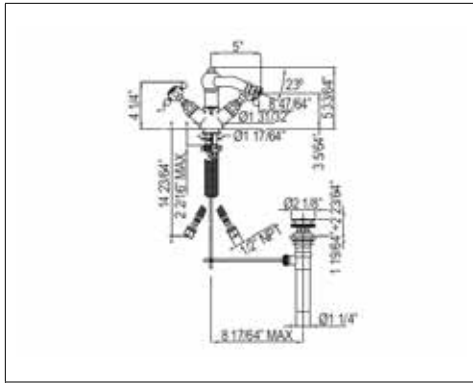


IB



ULB

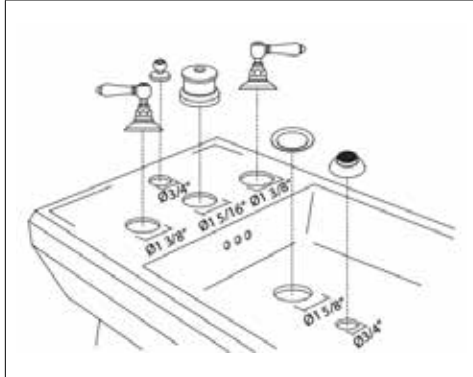
ACQUI

**A1434 Acqui® Single Hole Two Handle Bidet Faucet****Suggested Retail Price**

Handle	APC	PN	STN	IB	TCB
XC	1,140	1,254	1,565	1,619	1,619
XM	942	1,037	1,376	1,376	1,376



ARCANA

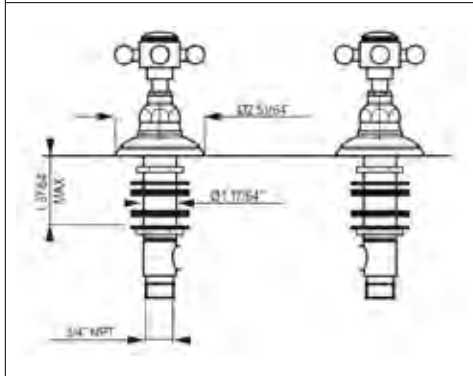
**A1460 5-Hole Bidet Faucet****Suggested Retail Price**

Handle	APC	PN	STN	IB	TCB
LC	1,917	2,280	2,363	2,543	2,629
LM	1,660	2,023	2,106	2,286	2,372
LP	1,660	2,023	2,106	2,286	2,372
XC	1,917	2,280	2,363	2,543	2,629
XM	1,660	2,067	2,131	2,383	2,469



BELLIA

CAMPO

**A7422 Set Of Hot & Cold 3/4" Sidevalves****Suggested Retail Price**

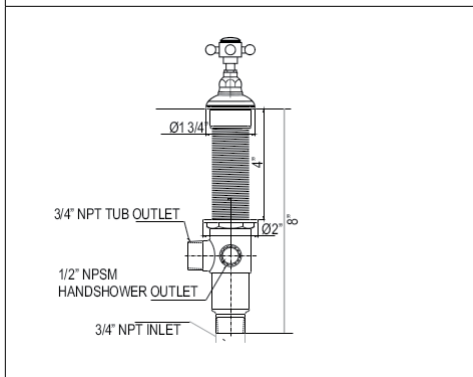
Handle	APC	PN	STN	IB	TCB
LM	486	535	607	690	690
LP	486	535	607	690	690
XC	742	816	928	1,054	1,054
XM	486	535	607	690	690



- For use on bathtubs with integrated tub spouts
- Hose not included. Order C7089.6034NSF 3/4" x 3/4" NPSM connection. Order two for a set.

ECLISSI

GRACELINE

**A2716 Deck Mount 3-Port, 2 Direction Diverter****Suggested Retail Price**

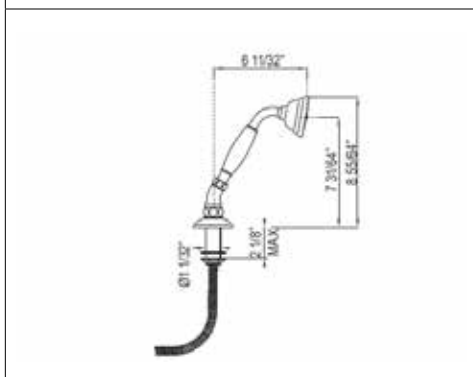
Handle	APC	PN	STN	IB	TCB
LC	654	654	697	697	697
LM	561	561	619	619	619
LP	561	561	619	619	619
XC	587	587	629	629	629
XM	543	543	607	607	607



- Deck mount diverter for use on bathtubs with built in tub spouts or 5-hole installations
- If installing A2716 with 3-Hole tub filler to make a custom 5-Hole tub filler, must order separate 5HOLEINSTALLKIT to complete installation

LOMBARDIA

MEDA

**A7104 Deck Mount Handshower With Hose And Escutcheon****Suggested Retail Price**

Handle	APC	PN	STN	IB	TCB	ULB
M	500	500	614	614	614	614
P	500	500	614	614	614	614

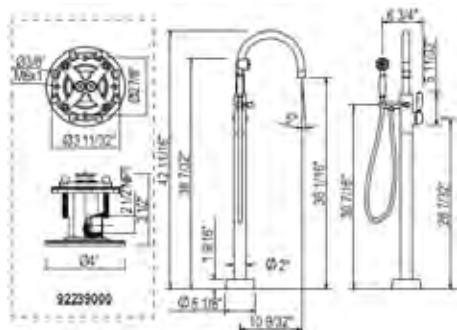


- A7104M comes with a metal handle and A7104P comes with a porcelain handle

MISCELO

PALLADIAN

QUARTLIE



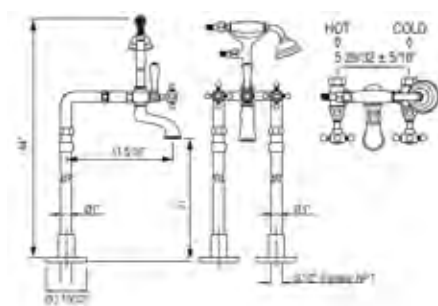
T1587 Traditional Single Leg Floor Mount Tub Filler



Suggested Retail Price

Handle	APC	PN	STN
LM	1,909	2,198	2,752

- Rough valve sold separately
 - Order R922390000 floor rough valve: \$547
- 8.2 GPM flow rate at 60 PSI or less
- Remote thermostatic valve may be needed; verify local code requirements



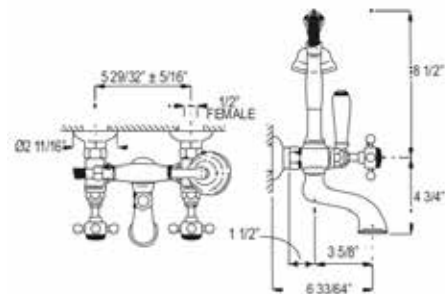
AKIT1401N Exposed Floor Mount Tub Filler With Handshower And Floor Pillar Legs Or Supply Unions



Suggested Retail Price

Handle	APC	PN	STN	IB	TCB
LC	3,111	3,405	4,178	4,675	4,483
LM	2,796	3,059	3,852	4,228	4,036
LP	2,796	3,059	3,852	4,228	4,036
XC	3,111	3,405	4,178	4,675	4,483
XM	2,796	3,059	3,852	4,228	4,036

- Single-function brass handshower with metal insert
- 10 GPM at 60 PSI
- Floor legs cannot be cut down
- Kit includes:
 - ZA386 floor legs
 - A1401N



A1401 Exposed Wall Mount Tub Filler With Handshower

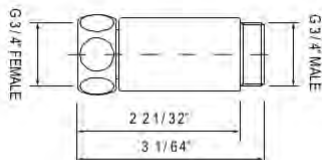


Suggested Retail Price

Handle	APC	PN	STN	IB	TCB
LC	1,757	1,933	2,286	2,495	2,495
LM	1,442	1,587	1,960	2,048	2,048
LP	1,442	1,587	1,960	2,048	2,048
XC	1,757	1,933	2,286	2,495	2,495
XM	1,442	1,587	1,960	2,048	2,048

- Single-function brass handshower with metal insert
- 10 GPM at 60 PSI
- Deck & floor unions available. If the deck unions AR00380 or the floor pillar legs ZA386 are used, you MUST include the adaptor C5574EXT. Allow for an extra 2 5/8" in the length. This may affect your rough-in dimensions.

C5574EXT Union Adaptors — Set Of 2

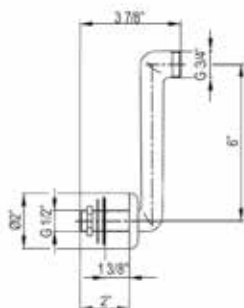


Suggested Retail Price

APC	PN	STN	IB	TCB
170	170	218	218	218

- Allow for an extra 2 5/8" in length. This may affect your rough-in dimensions.

ZZ9353502 Cast Iron Tub Unions — Set Of 2



Suggested Retail Price

APC	PN	STN	IB	TCB
468	491	601	601	601

- Order C5574EXT for use with A1401, A1901, A2701



ACQUI

ARCANA

BELLIA

CAMPO

ECLISSI

GRACELINE

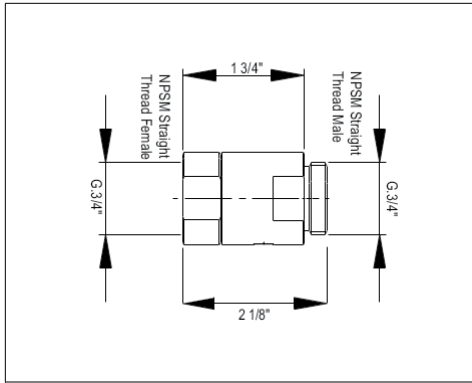
LOMBARDIA

MEDA

MISCELO

PALLADIAN

QUARTLIE



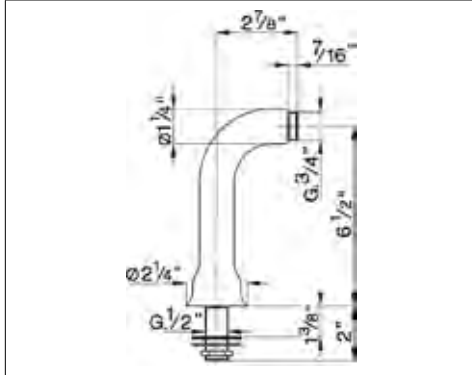
ZA1038402 Decorative Shut-Off Valve For Floor Legs

Suggested Retail Price

APC	PN	STN	IB	TCB
199	209	255	255	255



- Fits ZA386 floor pillar legs
- Order two for a set



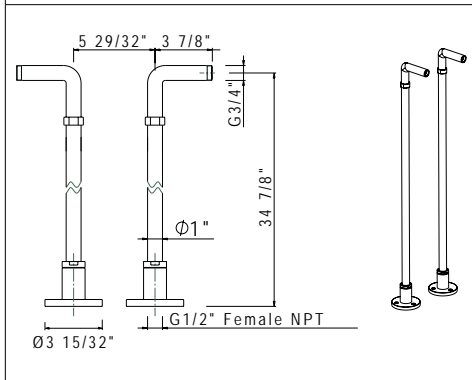
AR00380 Deck Unions — Set Of 2

Suggested Retail Price

APC	PN	STN	IB	TCB	ULB
533	560	682	682	682	533



- Order C5574EXT for use with A1401, A1901, A2701



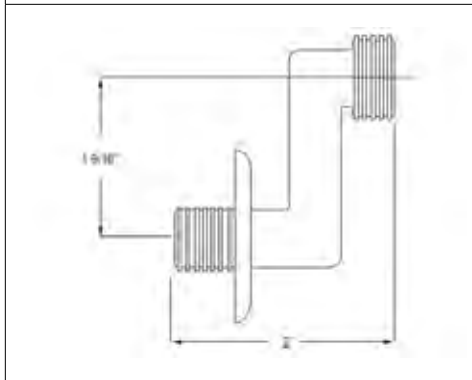
ZA386 Floor Pillar Legs Or Supply Unions - Set Of 2

Suggested Retail Price

APC	PN	STN	IB	TCB
1,184	1,302	1,674	1,962	1,770



- Cannot be cut down
- Alternative heights available by special order. Please contact ROHL Customer Care.
- Extra horizontal reach union adaptors available, order C5574EXT
- Optional support bracket or stanchion not included with floor legs, order separately as ZZ940830 with finish



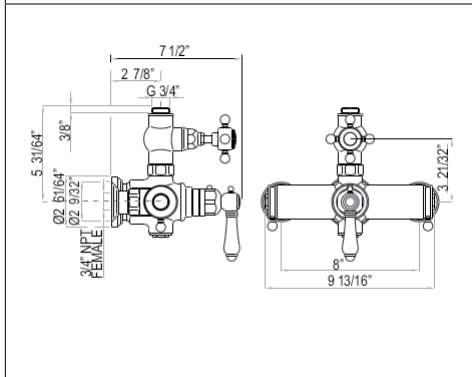
Z9314302/2 Wall Unions — Set Of 2

Suggested Retail Price

APC	PN	STN	IB	TCB
191	286	350	350	350



- Order C5574EXT for use with A1401, A1901, A2701



A4917 3/4" Exposed Thermostatic Valve

Suggested Retail Price

Handle	APC	PN	STN	IB	TCB
LC	2,468	2,715	3,138	3,504	3,504
LM	2,231	2,455	2,903	3,169	3,169
LP	2,231	2,455	2,903	3,169	3,169
XC	2,468	2,715	3,138	3,504	3,504
XM	2,231	2,455	2,903	3,169	3,169



- Swarovski® crystal cross handle on volume control and Swarovski® crystal lever on temperature control for XC model
- 16 GPM at 45 PSI
- Must order 1560 or 1565 riser to connect to outlet

ACQUI

ARCANA

BELLIA

CAMPO

ECLISSI

GRACELINE

LOMBARDIA

MEDA

MISCELO

PALLADIAN

QUARTLIE



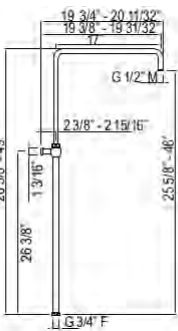
1560 Riser With Diverter, Hose And Sliding Handshower Holder

Suggested Retail Price

APC	PN	STN	IB	TCB
1,280	1,280	1,701	1,788	1,701



- Adjustable height. Upper riser can recess into lower riser and swivel.
- Must order showerhead and handshower separately



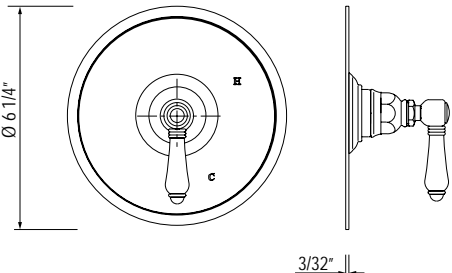
1565 Riser Without Diverter

Suggested Retail Price

APC	PN	STN	IB	TCB
781	781	1,015	1,065	1,015



- Adjustable height. Upper riser can recess into lower riser and swivel.
- Must order showerhead separately
- Cannot be cut



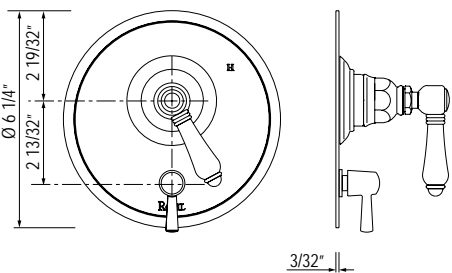
A1410 1/2" Pressure Balance Trim Without Diverter

Suggested Retail Price

Handle	APC	PN	STN	IB	TCB
LC	482	527	667	708	667
LM	352	384	539	580	539
LP	352	384	539	580	539
XC	482	527	667	708	667
XM	352	384	539	580	539



- Rough valve sold separately
— Order RCT-1 1/2" pressure balance rough valve: \$203



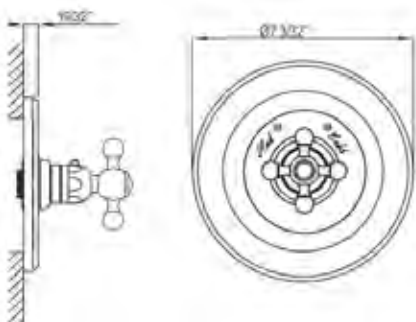
A2410N 1/2" Pressure Balance Trim With Diverter

Suggested Retail Price

Handle	APC	PN	STN	IB	TCB
LC	554	599	745	818	753
LM	424	456	617	690	625
LP	424	456	617	690	625
XC	554	599	745	818	753
XM	424	456	617	690	625



- Rough valve sold separately
— Order RDD-2 1/2" pressure balance rough valve: \$326



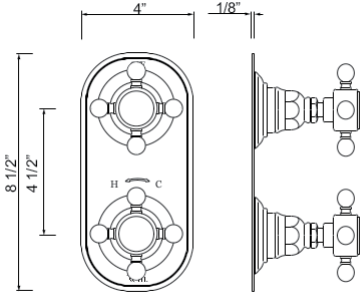
A4914 3/4" Thermostatic Trim Without Volume Control

Suggested Retail Price

Handle	APC	PN	STN	IB	TCB	ULB
LC	545	600	748	775	775	
LM	388	427	606	606	606	606
LP	388	427	606	606	606	606
XC	545	600	748	775	775	
XM	388	427	606	606	606	606



- Rough valve sold separately
— Order 1005N 3/4" thermostatic rough valve: \$369



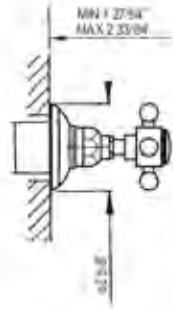
A4964 1/2" Thermostatic Trim with Diverter



Suggested Retail Price

Handle	APC	PN	STN	IB	TCB	ULB
LC	826	894	1,145	1,145	1,145	
LM	566	608	889	889	889	889
LP	566	608	889	889	889	889
XC	826	894	1,145	1,145	1,145	
XM	566	608	889	889	889	889

- Rough valve sold separately
 - Order R1051BV 1/2" thermostatic 1 function rough valve: \$448
 - Order R1052BD 1/2" thermostatic 2 function rough valve: \$449
 - Order R1053BD 1/2" thermostatic 3 function rough valve: \$524
 - Order R1055BD 1/2" thermostatic 5 function rough valve: \$524



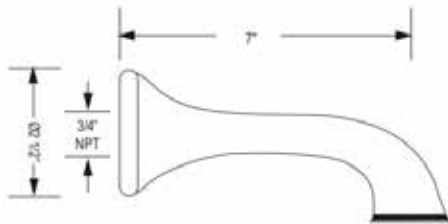
A4912TO Trim For Volume Control And 4-Port Dedicated Diverter



Suggested Retail Price

Handle	APC	PN	STN	IB	TCB	ULB
LC	334	368	485	485	485	
LM	204	225	357	357	357	357
LP	204	225	357	357	357	357
XC	334	368	485	485	485	
XM	204	225	357	357	357	357

- Rough valve sold separately
 - Order R1040R 3/4" volume control rough valve: \$160
 - Order R1062BO 4-port, 3-way dedicated diverter rough valve: \$319



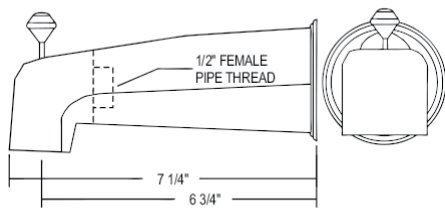
C2503 7" Wall Mount Tub Spout



Suggested Retail Price

APC	PN	STN	IB	TCB	ULB
193	213	251	275	275	275

- If 1/2" required, you may purchase a 3/4" x 1/2" nipple at any hardware store



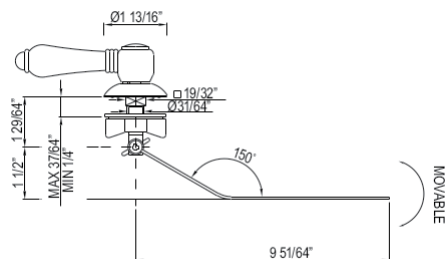
RT8000 Wall Mount Tub Spout With Integrated Diverter



Suggested Retail Price

APC	PN	STN	IB	TCB
146	219	219	790	610

- If using another rough valve other than the RCT-1 a twin ell may be required by the installer



C7950 Universal Tank Lever Trip Arm



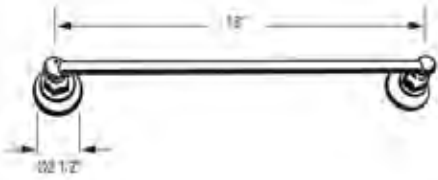
Suggested Retail Price

Handle	APC	PN	STN	IB	TCB
LC	485	485	626	626	626
LM	349	349	448	448	448
LP	349	349	448	448	448

- Fits front, angle and side installations on toilet tanks



ROT1/18 Wall Mount 18" Single Towel Bar

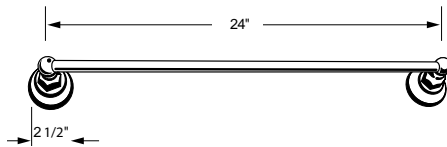


- Length can be cut down

Suggested Retail Price

APC	PN	STN	IB	TCB	ULB
211	211	251	251	251	334

ROT1/24 Wall Mount 24" Single Towel Bar



- Length can be cut down

Suggested Retail Price

APC	PN	STN	IB	TCB	ULB
224	224	259	259	259	359

ROT1/30 Wall Mount 30" Single Towel Bar



- Length can be cut down

Suggested Retail Price

APC	PN	STN	IB	TCB
235	235	269	269	269

A1482 Wall Mount Double Hand Towel Swiveling Bar



Suggested Retail Price

APC	PN	STN	IB	TCB
349	349	456	456	456

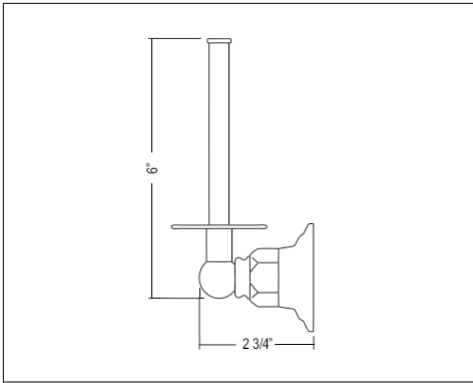
ROT8 Wall Mount Toilet Paper Holder



- Accommodates most oversized TP rolls

Suggested Retail Price

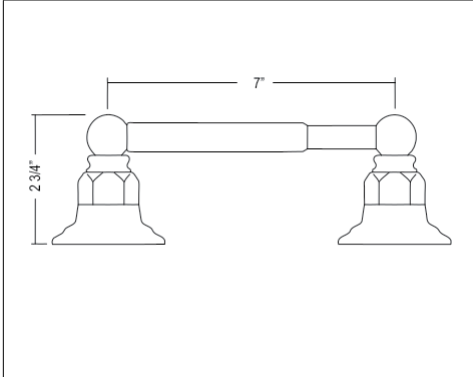
APC	PN	STN	IB	TCB	ULB
138	138	169	169	169	213



ROT19 Wall Mount Spare Toilet Paper Holder

Suggested Retail Price

APC	PN	STN	IB	TCB	ULB
180	180	216	216	216	216



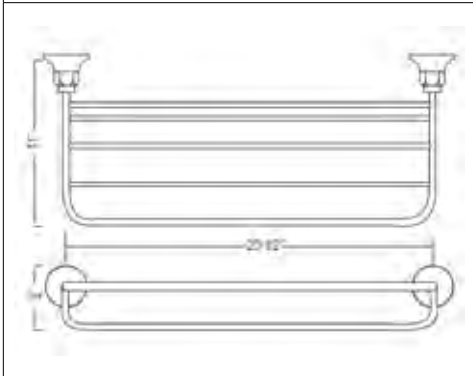
ROT18 Wall Mount Single Spring Loaded Toilet Paper Holder

Suggested Retail Price

APC	PN	STN	IB	TCB	ULB
235	235	279	279	279	335



- Replacement roll holder available, order TROLLER



ROT10 Wall Mount Hotel Style Towel Shelf

Suggested Retail Price

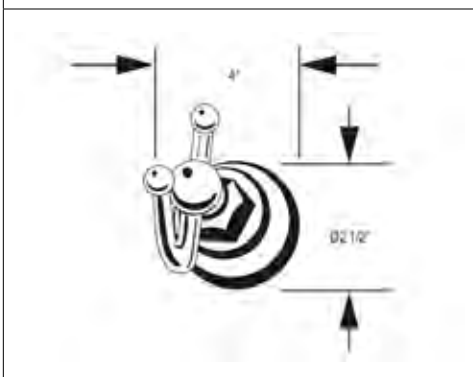
APC	PN	STN	IB	TCB	ULB
528	528	646	646	646	646



ROT4 Wall Mount Towel Ring

Suggested Retail Price

APC	PN	STN	IB	TCB	ULB
141	141	169	169	169	210

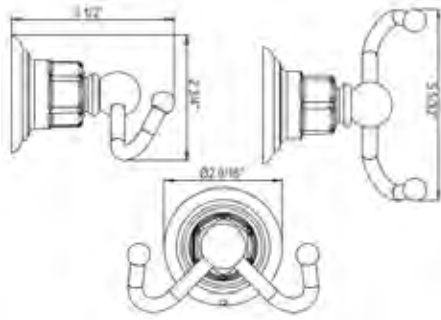


ROT7 Wall Mount Single Robe Hook

Suggested Retail Price

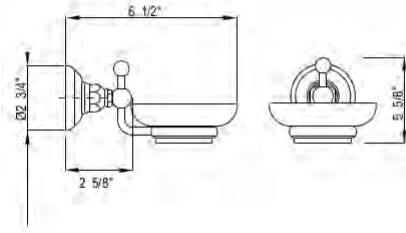
APC	PN	STN	IB	TCB	ULB
127	127	156	156	156	156



**ROT7D Wall Mount Double Robe Hook**

Suggested Retail Price

APC	PN	STN	IB	TCB	ULB
142	142	161	161	161	209

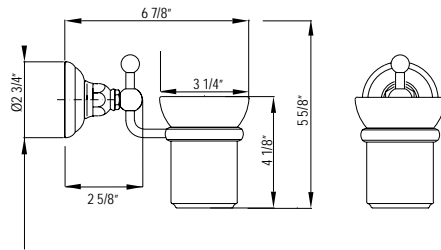
**A1487 Wall Mount Soap Dish**

Suggested Retail Price

APC	PN	STN	IB	TCB
259	259	340	340	340



- Replacement dish part #: C1487/1

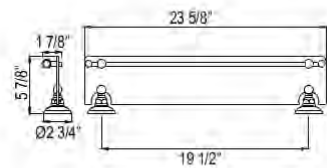
**A1488 Wall Mount Tumbler Holder**

Suggested Retail Price

APC	PN	STN	IB	TCB
260	260	343	343	343



- Replacement tumbler part #: C1488/1

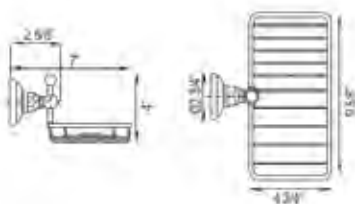
**A1480 Wall Mount 24" Glass Vanity Shelf**

Suggested Retail Price

APC	PN	STN	IB	TCB
486	486	646	646	646



- Glass replacement part #: C1480/3

**A1493 Wall Mount Double Soap Holder Basket**

Suggested Retail Price

APC	PN	STN	IB	TCB
312	312	415	415	415





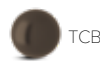
APC



PN



STN



TCB

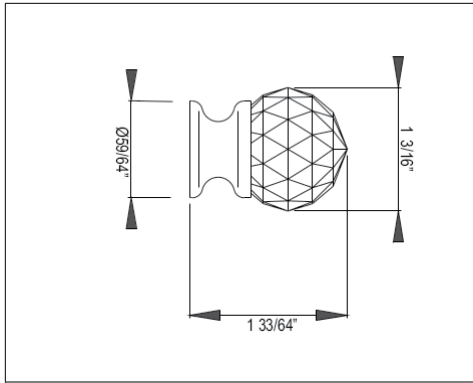


IB



ULB

ACQUI



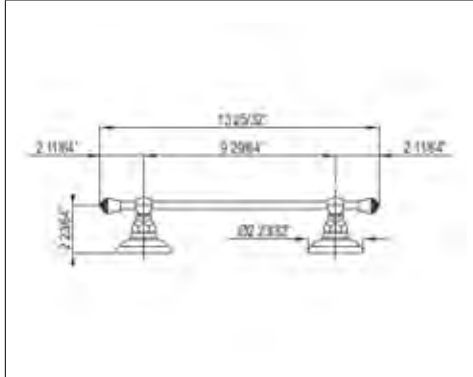
A1479C Swarovski® Crystal 1 3/16" Pull Knob



Suggested Retail Price

APC	PN	STN	IB	TCB
125	125	164	164	164

ARCANA



A1483C Swarovski® Crystal Wall Mount 12" Towel Bar

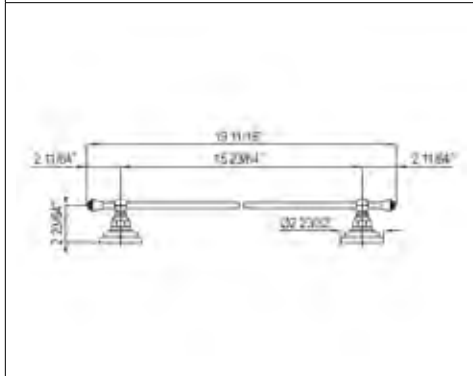


Suggested Retail Price

APC	PN	STN	IB	TCB
407	407	523	523	523

BELLIA

CAMPO



A1484C Swarovski® Crystal Wall Mount 18" Towel Bar

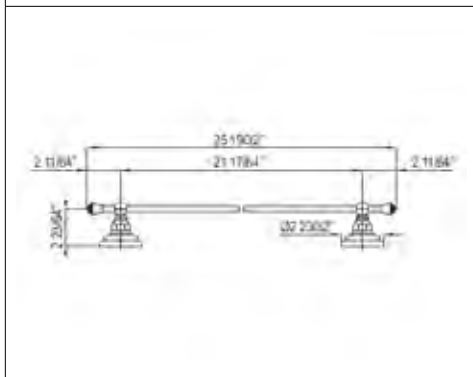


Suggested Retail Price

APC	PN	STN	IB	TCB
413	413	524	524	524

ECLISSI

GRACELINE



A1486C Swarovski® Crystal Wall Mount 24" Towel Bar

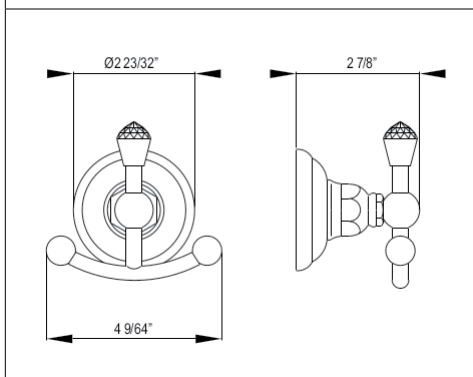


Suggested Retail Price

APC	PN	STN	IB	TCB
441	441	558	558	558

LOMBARDIA

MEDA



A1481C Swarovski® Crystal Wall Mount Double Robe Hook



Suggested Retail Price

APC	PN	STN	IB	TCB
263	263	331	331	331

MISCELO

PALLADIAN

QUARTLIE

ACQUI

ARCANA

BELLIA

CAMPO

ECLISSI

GRACELINE

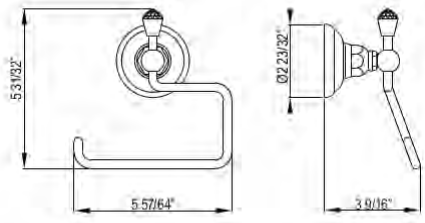
LOMBARDIA

MEDA

MISCELO

PALLADIAN

QUARTLIE

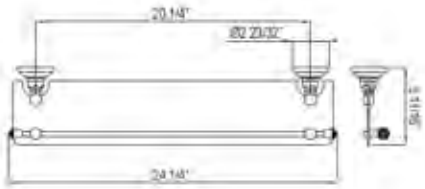


A1492C Swarovski® Crystal Wall Mount Toilet Paper Holder



Suggested Retail Price

APC	PN	STN	IB	TCB
313	313	400	400	400



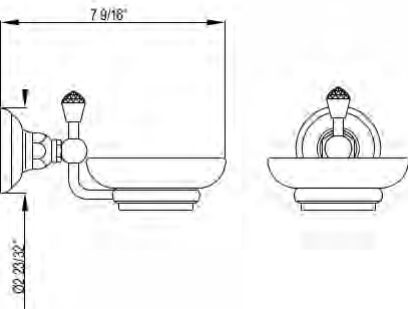
A1480C Swarovski® Crystal Wall Mount 24" Glass Vanity Shelf



• Glass replacement part #: C1480/3

Suggested Retail Price

APC	PN	STN	IB	TCB
549	549	703	703	703



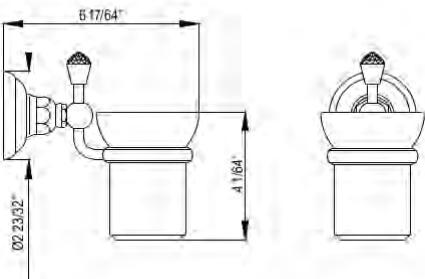
A1487C Swarovski® Crystal Wall Mount Soap Dish



• Replacement dish part #: C1487/1

Suggested Retail Price

APC	PN	STN	IB	TCB
295	295	376	376	376



A1488C Swarovski® Crystal Wall Mount Tumbler Holder



• Replacement tumbler part #: C1488/1

Suggested Retail Price

APC	PN	STN	IB	TCB
296	296	377	377	377



APC



PN



STN



TCB



IB



ULB

ACQUI

ARCANA

BELLIA

CAMPO

ECLISSI

GRACELINE

LOMBARDIA

MEDA

MISCELO

PALLADIAN

QUARTLIE

**PRESSURE BALANCE SHOWER OPTION 1**

Suggested Retail Price

Model	Description	Polished Chrome
A1410	Trim	352
1101/8E	Handshower	213
D800	Handshower Bar	376
1295	Outlet	99
16295	Hose	51
RCT-1	Rough	203
Total Package List Price With Roughs		1,294

Note: Sample configuration priced in Polished Chrome. Other configurations and finishes available. Complete your Shower experience by including one of our decorative drain options.

**PRESSURE BALANCE SHOWER OPTION 2**

Suggested Retail Price

Model	Description	Polished Chrome
A2410	Trim	424
WI0197	Showerhead	172
1440/6	Shower Arm	77
1101/8E	Handshower	213
D800	Handshower Bar	376
1295	Outlet	99
16295	Hose	51
RDD-2	Rough	326
Total Package List Price With Roughs		1,738

Note: Sample configuration priced in Polished Chrome. Other configurations and finishes available. Complete your Shower experience by including one of our decorative drain options.



1/2" THERMOSTATIC SHOWER OPTION 1

Suggested Retail Price

Model	Description	Polished Chrome
A4964	Trim	566
1037/8	Showerhead	501
1120	Shower Arm	98
B0314	Handshower	119
1201	Handshower Bar	422
1295	Outlet	99
16295	Hose	51
R1055BD	Rough	524
Total Package List Price With Roughs		2,380
R1052BD	Rough (No Share)	449
Total Package List Price With Roughs		2,305

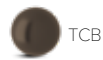
Note: Sample configuration priced in Polished Chrome. Other configurations and finishes available. Complete your Shower experience by including one of our decorative drain options.

1/2" THERMOSTATIC SHOWER OPTION 2

Suggested Retail Price

Model	Description	Polished Chrome
A4964	Trim	566
1037/8	Showerhead	501
1120	Shower Arm	98
1047/8	Ceiling Showerhead	1,163
1505/3	Ceiling Shower Arm	107
B0314	Handshower	119
1201	Handshower Bar	422
1295	Outlet	99
16295	Hose	51
R1055BD	Rough	524
Total Package List Price With Roughs		3,650
R1053BD	Rough (No Share)	524
Total Package List Price With Roughs		3,650

Note: Sample configuration priced in Polished Chrome. Other configurations and finishes available. Complete your Shower experience by including one of our decorative drain options.

**1/2" THERMOSTATIC SHOWER OPTION 3**

Suggested Retail Price

Model	Description	Polished Chrome
A4964	Trim	566
1037/8	Showerhead	501
1120/12	Shower Arm	70
B0314	Handshower	119
CD8000	Handshower Bracket	149
16295	Hose	51
C2503	Tub Spout	193
R1055BD	Rough	524
Total Package List Price With Roughs		2,173
R1053BD	Rough (No Share)	524
Total Package List Price With Roughs		2,173

Note: Sample configuration priced in Polished Chrome. Other configurations and finishes available. Complete your Shower experience by including one of our decorative drain options.

**3/4" THERMOSTATIC SHOWER OPTION 1**

Suggested Retail Price

Model	Description	Polished Chrome
A4914	Trim	388
1037/8	Showerhead	501
1120	Shower Arm	98
B0314	Handshower	119
1201	Handshower Bar	422
1295	Outlet	99
16295	Hose	51
A4912 (x3)	Volume Controls (x3)	204
1095/8 (x2)	Body Sprays (x2)	355
1005N	Rough	369
R1040R (x3)	Volume Control Rough (x3)	160
Total Package List Price With Roughs		3,849

Note: Sample configuration priced in Polished Chrome. Other configurations and finishes available. Complete your Shower experience by including one of our decorative drain options.

NOTES

ARCANA™

Authentically Crafted in Italy

The Arcana name reflects its meaning — looking both into the past and forward to the future. It is a blend of traditional and current trends — linked together in a unique form. The Arcana™ Collection features faucet and accessory designs for the lavatory, bath and shower. The tradition of Arcana pays homage to the town of Alzo, above Lago d'Orta, and its heritage of church bells used in the design of the handle base. Today the town produces some of the finest fittings in the world.



Handle Options



Ornate Metal Lever
L



Classic Metal Lever
LM



Ornate Porcelain Lever
OP



Cross Handle
XM

Available Finishes:



Polished Chrome
APC



Polished Nickel
PN



Tuscan Brass®
TCB



Satin Nickel
STN



Italian Brass
IB

See product page for available finishes

AC102LMAPC

ACQUI

ARCANA

BELLIA

CAMPO

ECLISSI

GRACELINE

LOMBARDIA

MEDA

MISCELO

PALLADIAN

QUARTLIE

ACQUI

ARCANA

BELLIA

CAMPO

ECLISSI

GRACELINE

LOMBARDIA

MEDA

MISCELO

PALLADIAN

QUARTLIE

FAUCETS



AC95
page 164



AC102
page 164



AC107
page 164

TUB FILLERS



AC262
page 165



T1587
page 166



ACKIT7383
page 167



AC24
page 168

SHOWER TRIMS



AC110
page 168



AC210N
page 169



AC720
page 169



AC390
page 169

PRESSURE BALANCE

1/2" THERMOSTATIC

3/4" THERMOSTATIC

SHOWER PACKAGES



page 172



page 172



page 173



page 173



page 174



page 174



OTHER CONSIDERATIONS

See product page for available finishes.



1037/8
page 372



100131
page 377



1085/8
page 378



100218
page 378



1505/3
page 384



1151/8
page 388



B204
page 386



SDPVC2/3-3142
page 408



1311
page 394



D63003
page 396



1251
page 397



1630KIT1
page 405



CIS1/24
page 170



CIS18
page 171



CIS4
page 171



CIS7D
page 171



SB2015
Shaws® Price Book



U.2933 + U.2934
Perrin & Rowe® Price Book



DRAYTON
Victoria + Albert® Price Book



U.KIT113
Perrin & Rowe® Price Book

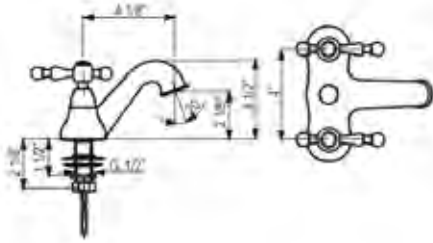




AC95 Arcana™ 4" Centerset Lavatory Faucet

Suggested Retail Price

Handle	APC	PN	STN	IB	TCB
L	609	671	762	865	865
LM	609	671	762	865	865
OP	609	671	762	865	865
X	609	671	762	865	865

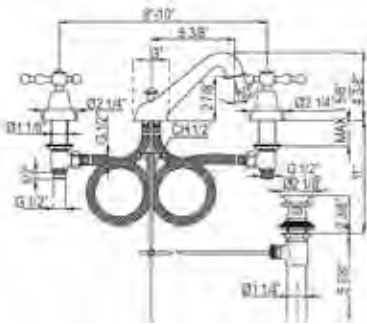


- 1.2 GPM

AC102 Arcana™ C-Spout Widespread Lavatory Faucet

Suggested Retail Price

Handle	APC	PN	STN	IB	TCB
L	549	604	692	780	780
LM	549	604	692	780	780
OP	549	604	692	780	780
X	549	604	692	780	780

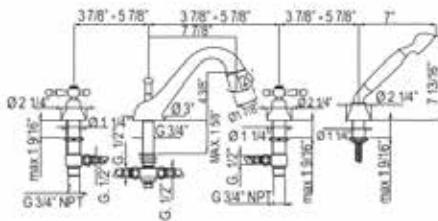


- 1.2 GPM
- Matching tub filler AC26

AC26 Arcana™ 4-Hole Deck Mount Tub Filler & Handshower

Suggested Retail Price

Handle	APC	PN	STN	IB	TCB
L	2,154	2,370	2,844	3,058	3,058
LM	2,154	2,370	2,844	3,058	3,058
OP	2,154	2,370	2,844	3,058	3,058
X	2,154	2,370	2,844	3,058	3,058

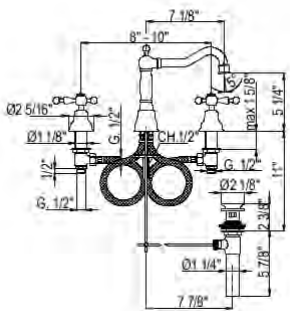


- 17 GPM at 60 PSI
- Matching lavatory faucet AC102, AC95

AC107 Arcana™ Column Spout Widespread Lavatory Faucet

Suggested Retail Price

Handle	APC	PN	STN	IB	TCB
L	722	794	904	1,025	1,025
LM	722	794	904	1,025	1,025
OP	722	794	904	1,025	1,025
X	722	794	904	1,025	1,025

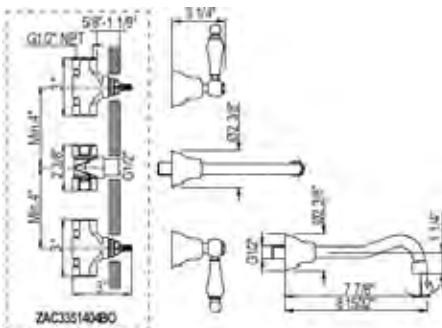


- 1.2 GPM

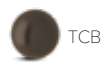
AC351 Arcana™ Wall Mount Widespread Lavatory Faucet

Suggested Retail Price

Handle	APC	PN	STN	IB	TCB
L	481	530	767	767	767
LM	481	530	933	1,060	1,060
OP	481	530	933	1,060	1,060
X	481	530	933	1,060	1,060



- Rough valve sold separately
— Order ZAC3351104BO wall rough valve: \$267
- 1.2 GPM aerator
- Drain assembly not included with faucet. Must order drain to complete.
- 13/16" extension kit is ZA10055004, set of two pieces to extend both hot and cold valves: \$115



ACQUI

ARCANA

BELLIA

CAMPO

ECLISSI

GRACELINE

LOMBARDIA

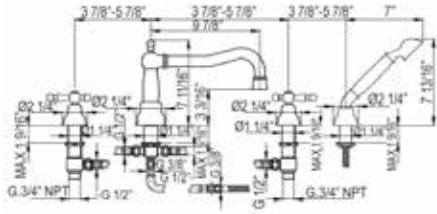
MEDA

MISCELO

PALLADIAN

QUARTLIE

AC262 Arcana™ Column Spout 4-Hole Deck Mount Tub Filler With Handshower

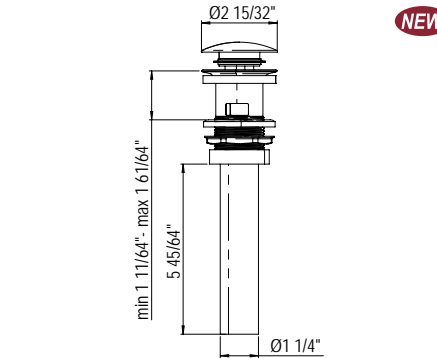


- 12 GPM at 60 PSI

Suggested Retail Price

Handle	APC	PN	STN	IB	TCB
L	2,154	2,370	2,844	3,058	3,058
LM	2,154	2,370	2,842	3,058	3,058
OP	2,154	2,370	2,844	3,058	3,058
X	2,154	2,370	2,844	3,058	3,058

CC2310FWO Touch Seal Dome Drain for Overflow and No-Overflow Sinks

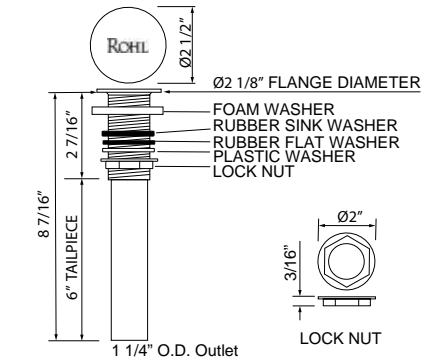
**NEW**

- Available: Summer 2020

Suggested Retail Price

APC	STN	MB	SG
128	160	166	182

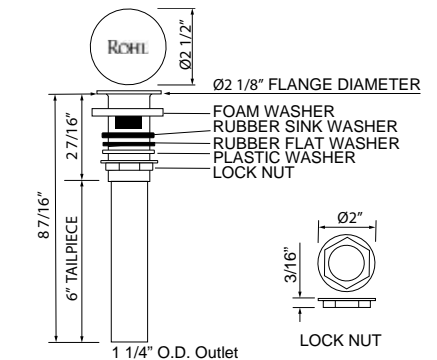
5445 Touch Seal Dome Drain With 6" Tailpiece for No-Overflow Sinks



Suggested Retail Price

APC	PN	STN	IB	TCB
277	277	277	686	539

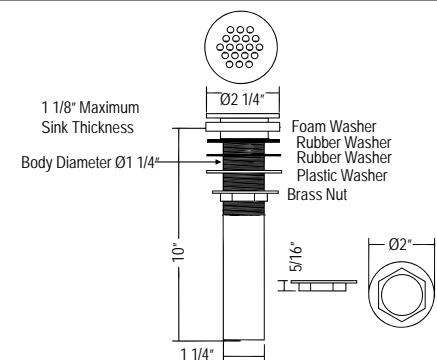
5447 Slotted Touch Seal Dome Drain With 6" Tailpiece for Overflow Sinks



Suggested Retail Price

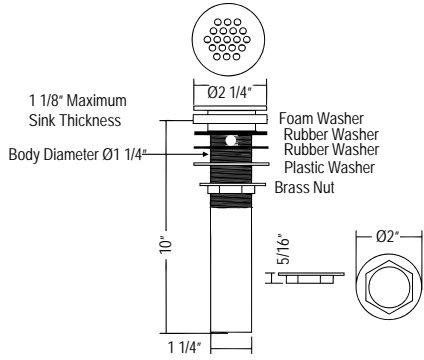
APC	PN	STN	IB	TCB
277	277	277	686	539

6442 Non Slotted Grid Drain for No-Overflow Sinks



Suggested Retail Price

APC	PN	STN	IB	TCB
249	249	249	526	426

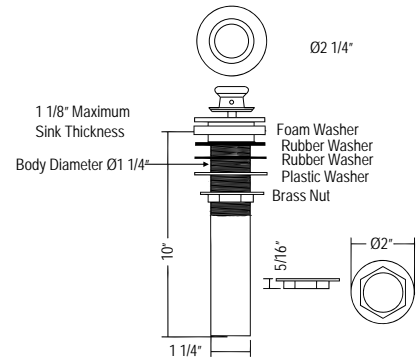


7444 Grid Drain for Overflow Sinks



Suggested Retail Price

APC	PN	STN	IB	TCB
249	249	249	526	426

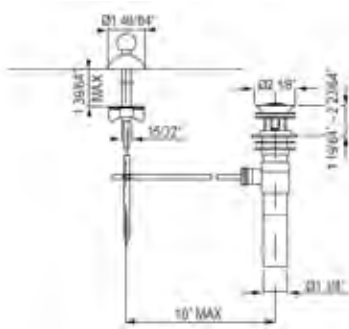


8446 Lift And Turn Drain for No-Overflow Sinks



Suggested Retail Price

APC	PN	STN	IB	TCB
281	281	281	614	504



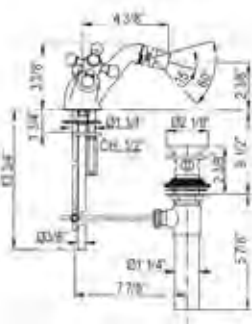
CNZREMOTE Remote Pop-Up Set



Suggested Retail Price

APC	PN	STN	IB	TCB
198	198	310	310	310

- Not for use with vessel bowls or bowls without overflow

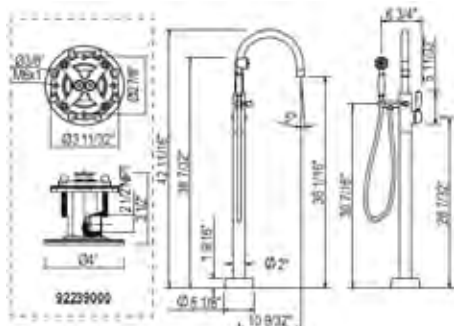


AC55X Arcana™ Single Hole Bidet Faucet



Suggested Retail Price

Handle	APC	PN	STN	IB	TCB
X	653	729	898	928	928



T1587 Traditional Single Leg Floor Mount Tub Filler



Suggested Retail Price

Handle	APC	PN	STN
LM	1,909	2,198	2,752

- Rough valve sold separately
— Order R922390000 floor rough valve: \$547
- 8.2 GPM flow rate at 60 PSI for tub filler
- Remote thermostatic valve may be needed; verify local code requirements



APC



PN



STN

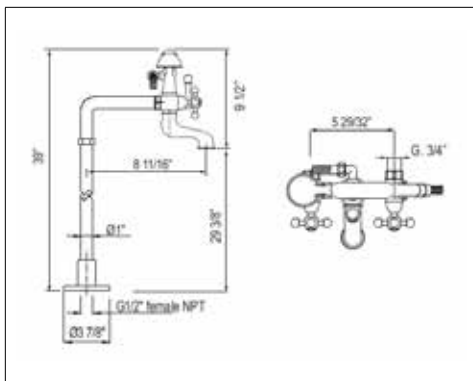


TCB



IB

ACQUI

**ACKIT7383** Arcana™ Exposed Floor Mount Tub Filler With Handshower And Floor Pillar Legs Or Supply Unions

Suggested Retail Price

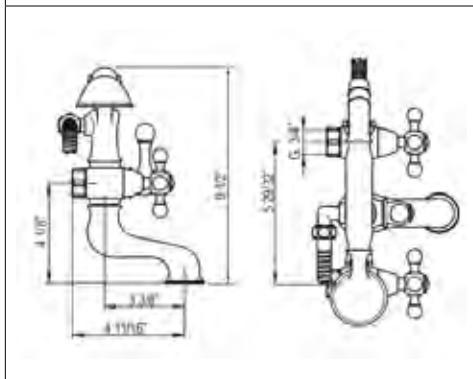
Handle	APC	PN	STN	IB	TCB
X	2,143	2,357	2,926	3,324	3,132



- 8 GPM at 60 PSI
- Floor legs cannot be cut down
- Kit includes:
 - ZA386 floor legs
 - AC7X
- Decorative shut offs available.

ARCANA

BELLIA

**AC7X** Arcana™ Exposed Tub Filler With Handshower

Suggested Retail Price

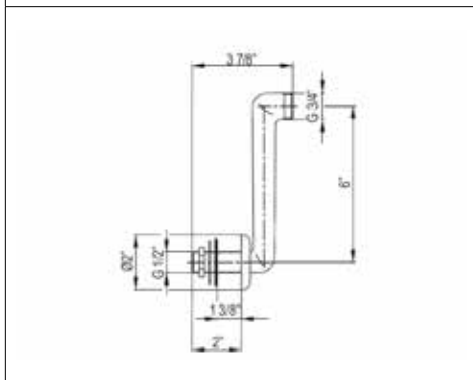
Handle	APC	PN	STN	IB	TCB
X	959	1,055	1,252	1,362	1,362



- 8 GPM at 60 PSI
- Must order unions to complete:
 - AR00380 - deck unions
 - ZA386 - floor pillar legs
 - ZZ9314302 - wall unions
 - ZZ935350 - iron tub unions

CAMPO

ECLISSI

**ZZ9353502** Cast Iron Tub Unions — Set Of 2

Suggested Retail Price

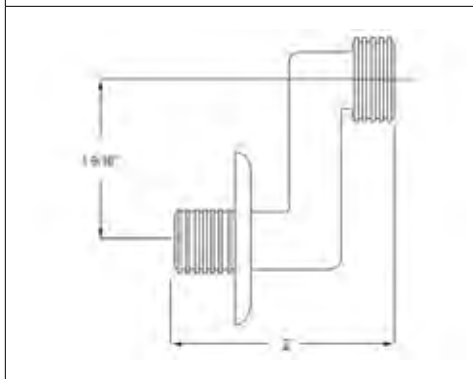
APC	PN	STN	IB	TCB
468	491	601	601	601



- Order C5574EXT for use with A1401, A1901, A2701

GRACELINE

LOMBARDIA

**ZZ9314302/2** Wall Unions — Set Of 2

Suggested Retail Price

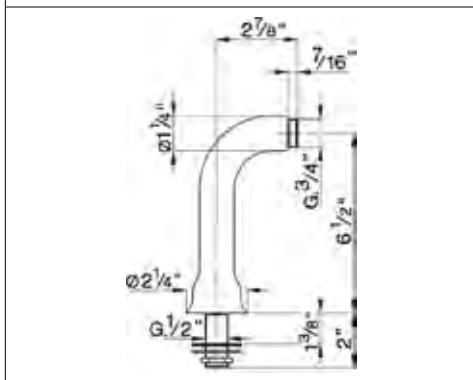
APC	PN	STN	IB	TCB
191	286	350	350	350



- Order C5574EXT for use with A1401, A1901, A2701

MEDA

MISCELO

**AR00380** Deck Unions — Set Of 2

Suggested Retail Price

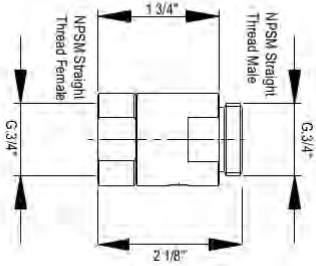
APC	PN	STN	IB	TCB
533	560	682	682	682



- Order C5574EXT for use with A1401, A1901, A2701

PALLADIAN

QUARTLIE



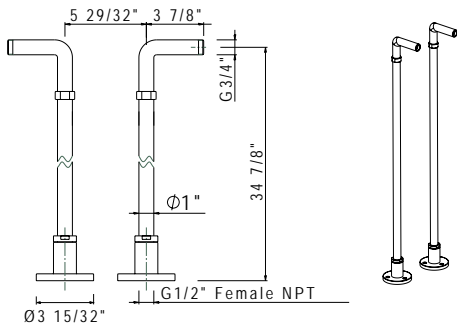
ZA1038402 Decorative Shut-Off Valve For Floor Legs

Suggested Retail Price

APC	PN	STN	IB	TCB
199	209	255	255	255



- Fits ZA386 floor pillar legs
- Order two for a set



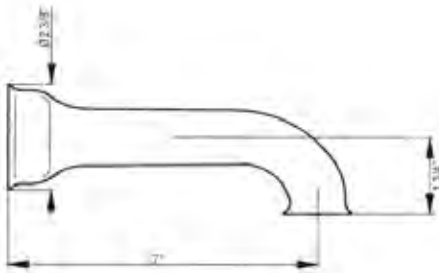
ZA386 Floor Pillar Legs Or Supply Unions - Set Of 2

Suggested Retail Price

APC	PN	STN	IB	TCB
1,184	1,302	1,674	1,962	1,770



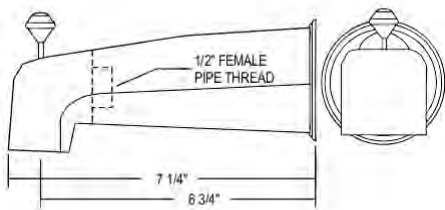
- Cannot be cut down
- Alternative heights available by special order. Please contact ROHL Customer Care.
- Extra horizontal reach union adaptors available, order C5574EXT
- Optional support bracket or stanchion not included with floor legs, order separately as ZZ940830 with finish



AC24 Arcana™ 7" Wall Mount Tub Spout

Suggested Retail Price

APC	PN	STN	IB	TCB
194	214	257	276	276



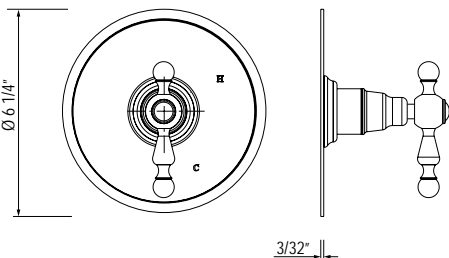
RT8000 Wall Mount Tub Spout With Integrated Diverter

Suggested Retail Price

APC	PN	STN	IB	TCB
146	219	219	790	610



- If using another rough valve other than the RCT-1 a twin ell may be required by the installer



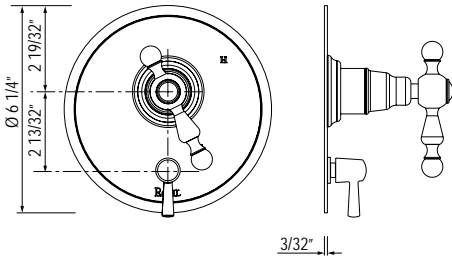
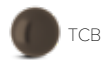
AC110 Arcana™ 1/2" Pressure Balance Trim Without Diverter

Suggested Retail Price

Handle	APC	PN	STN	IB	TCB
L	390	426	531	590	549
LM	390	426	531	590	549
OP	390	426	531	590	549
X	390	426	531	590	549

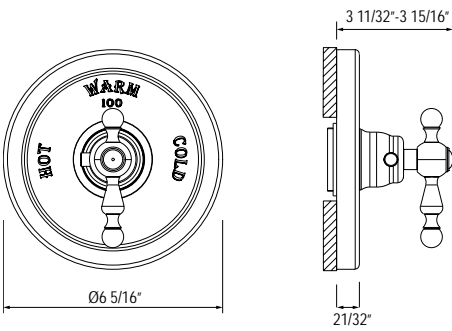


- Rough valve sold separately
— Order RCT-1 1/2" pressure balance rough valve: \$203

**AC210N** Arcana™ 1/2" Pressure Balance Trim With Diverter**Suggested Retail Price**

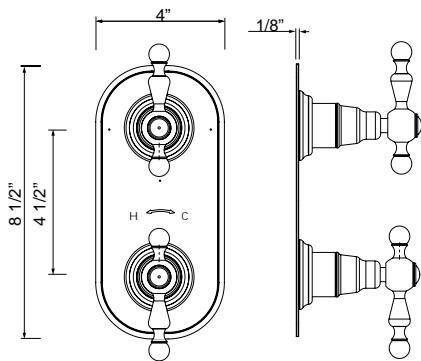
Handle	APC	PN	STN	IB	TCB
L	462	498	609	700	635
LM	462	498	609	700	635
OP	462	498	609	700	635
X	462	498	609	700	635

- Rough valve sold separately
— Order RDD-2 1/2" pressure balance rough valve: \$326

**AC720** Arcana™ 3/4" Thermostatic Trim Without Volume Control**Suggested Retail Price**

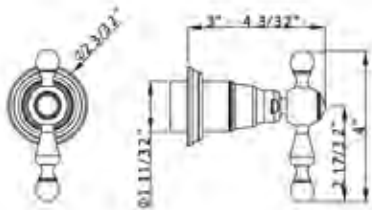
Handle	APC	PN	STN	IB	TCB
L	355	397	495	533	533
LM	355	397	495	533	533
OP	355	397	495	533	533
X	355	397	495	533	533

- Rough valve sold separately
— Order 1005N 3/4" thermostatic rough valve: \$369

**AC390** Arcana™ 1/2" Thermostatic Trim with Diverter**Suggested Retail Price**

Handle	APC	PN	STN	TCB
L	642	692	873	909
LM	642	692	873	909
OP	642	692	873	909
X	642	692	873	909

- Rough valve sold separately
— Order R1051BV 1/2" thermostatic 1 function rough valve: \$448
— Order R1052BD 1/2" thermostatic 2 function rough valve: \$449
— Order R1053BD 1/2" thermostatic 3 function rough valve: \$524
— Order R1055BD 1/2" thermostatic 5 function rough valve: \$524

**AC195TO** Arcana™ Trim For Volume Control And Diverter**Suggested Retail Price**

Handle	APC	PN	STN	IB	TCB
L	242	267	349	367	367
LM	242	267	349	367	367
OP	242	267	349	367	367
X	242	267	349	367	367

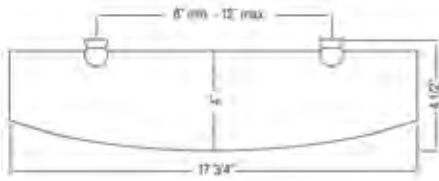
- Rough valve sold separately
— Order R1040R 3/4" volume control rough valve: \$160
— Order R1062BO 4-port, 3-way dedicated diverter rough valve: \$319

**CIS10** Arcana™ Wall Mount Hotel Style Towel Shelf**Suggested Retail Price**

APC	PN	STN	IB	TCB
513	513	639	639	639



CIS12 Arcana™ Wall Mount Glass Vanity Shelf



Suggested Retail Price

APC	PN	STN	IB	TCB
203	203	230	230	230

CIS1/18 Arcana™ Wall Mount 18" Single Towel Bar

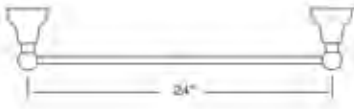


- Length can be cut down

Suggested Retail Price

APC	PN	STN	IB	TCB
225	225	259	259	259

CIS1/24 Arcana™ Wall Mount 24" Single Towel Bar



- Length can be cut down

Suggested Retail Price

APC	PN	STN	IB	TCB
229	229	275	275	275

CIS1/30 Arcana™ Wall Mount 30" Single Towel Bar

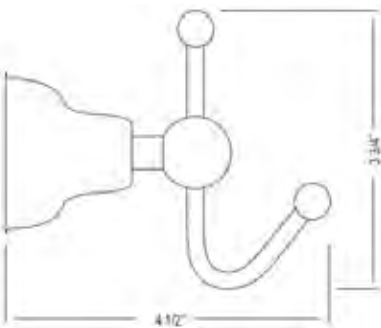


- Length can be cut down

Suggested Retail Price

APC	PN	STN	IB	TCB
237	237	280	280	280

CIS7 Arcana™ Wall Mount Single Robe Hook



Suggested Retail Price

APC	PN	STN	IB	TCB
121	121	150	150	150



APC



PN



STN



TCB



IB

ACQUI

ARCANA

BELLIA

CAMPO

ECLISSI

GRACELINE

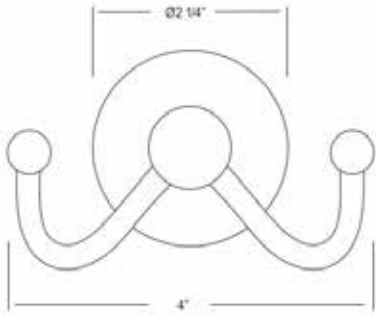
LOMBARDIA

MEDA

MISCELO

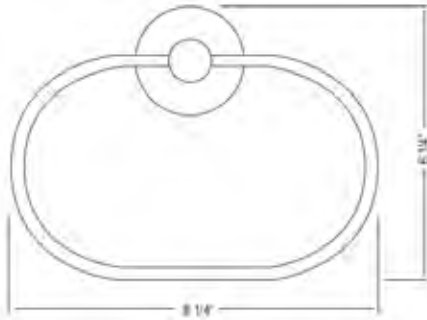
PALLADIAN

QUARTLIE

**CIS7D Arcana™ Wall Mount Double Robe Hook**

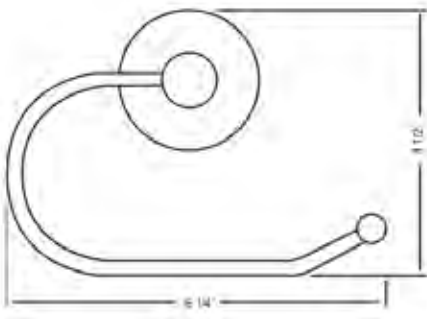
Suggested Retail Price

APC	PN	STN	IB	TCB
127	127	152	152	152

**CIS4 Arcana™ Wall Mount Towel Ring**

Suggested Retail Price

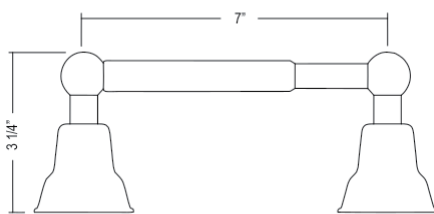
APC	PN	STN	IB	TCB
152	152	180	180	180

**CIS8 Arcana™ Wall Mount Loop Toilet Paper Holder**

Suggested Retail Price

APC	PN	STN	IB	TCB
138	138	164	164	164

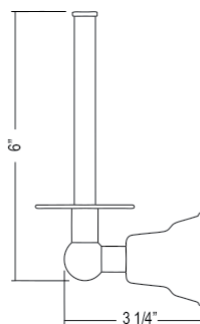
- Accommodates oversized TP rolls

**CIS18 Arcana™ Wall Mount Single Spring Loaded Toilet Paper Holder**

Suggested Retail Price

APC	PN	STN	IB	TCB
240	240	288	288	288

- Accommodates most oversized TP rolls

**CIS19 Arcana™ Wall Mount Spare Toilet Paper Holder**

Suggested Retail Price

APC	PN	STN	IB	TCB
188	188	226	226	226

- Accommodates most oversized TP rolls





PRESSURE BALANCE SHOWER OPTION 1

Model	Description	Suggested Retail Price
		Polished Chrome
AC110	Trim	390
1101/8E	Handshower	213
D800	Handshower Bar	376
1295	Outlet	99
16295	Hose	51
RCT-1	Rough	203
Total Package List Price With Roughs		1,332

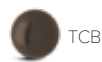
Note: Sample configuration priced in Polished Chrome. Other configurations and finishes available. Complete your Shower experience by including one of our decorative drain options.



PRESSURE BALANCE SHOWER OPTION 2

Model	Description	Suggested Retail Price
		Polished Chrome
AC210	Trim	462
WI0197	Showerhead	172
1440/6	Shower Arm	77
1101/8E	Handshower	213
D800	Handshower Bar	376
1295	Outlet	99
16295	Hose	51
RDD-2	Rough	326
Total Package List Price With Roughs		1,776

Note: Sample configuration priced in Polished Chrome. Other configurations and finishes available. Complete your Shower experience by including one of our decorative drain options.

**1/2" THERMOSTATIC SHOWER OPTION 1**

Model	Description	Suggested Retail Price
		Polished Chrome
AC390	Trim	642
1037/8	Showerhead	501
1120	Shower Arm	98
B0314	Handshower	119
1201	Handshower Bar	422
1295	Outlet	99
16295	Hose	51
Total Package List Price With Roughs		2,456
R1055BD	Rough	524
Total Package List Price With Roughs		2,381

Note: Sample configuration priced in Polished Chrome. Other configurations and finishes available. Complete your Shower experience by including one of our decorative drain options.

**1/2" THERMOSTATIC SHOWER OPTION 2**

Model	Description	Suggested Retail Price
		Polished Chrome
AC390	Trim	642
1037/8	Showerhead	501
1120	Shower Arm	98
1047/8	Ceiling Showerhead	1,163
1505/3	Ceiling Shower Arm	107
B0314	Handshower	119
1201	Handshower Bar	422
1295	Outlet	99
16295	Hose	51
Total Package List Price With Roughs		3,726
R1055BD	Rough	524
Total Package List Price With Roughs		3,726
R1053BD	Rough (No Share)	524
Total Package List Price With Roughs		3,726

Note: Sample configuration priced in Polished Chrome. Other configurations and finishes available. Complete your Shower experience by including one of our decorative drain options.



1/2" THERMOSTATIC SHOWER OPTION 3

Suggested Retail Price

Model	Description	Polished Chrome
AC390	Trim	642
1037/8	Showerhead	501
1120/12	Shower Arm	70
B0314	Handshower	119
CD8000	Handshower Bracket	149
16295	Hose	51
AC24	Tub Spout	194
R1055BD	Rough	524
Total Package List Price With Roughs		2,250
R1053BD	Rough (No Share)	524
Total Package List Price With Roughs		2,250

Note: Sample configuration priced in Polished Chrome. Other configurations and finishes available. Complete your Shower experience by including one of our decorative drain options.

3/4" THERMOSTATIC SHOWER OPTION 1

Suggested Retail Price

Model	Description	Polished Chrome
AC720	Trim	355
1037/8	Showerhead	501
1120	Shower Arm	98
B0314	Handshower	119
1201	Handshower Bar	422
1295	Outlet	99
16295	Hose	51
AC195 (x3)	Volume Controls (x3)	242
1095/8 (x2)	Body Sprays (x2)	355
1005N	Rough	369
R1040R (x3)	Volume Control Rough (x3)	160
Total Package List Price With Roughs		3,930

Note: Sample configuration priced in Polished Chrome. Other configurations and finishes available. Complete your Shower experience by including one of our decorative drain options.

BELLIA™

Authentically Crafted in Italy

Turin, the capital of the Piemonte region of Northern Italy and the inspiration for the Bellia™ Collection, is Italy's most important center for the Art Nouveau style. Influenced by the major 1902 exhibition of decorative arts, the city was chosen to host the event because it was modern and industrial in nature and long connected to prestigious automobile manufacturing. It's here that the Palazzo Bellia is located — one of the area's most beautiful buildings. Its shapely balconies, arched windows and slender turrets are the inspiration for the Bellia™ Collection. These elegant faucets, tub fillers, showers and accessories combine sensual lines with a contemporary flair.



Handle Options



Metal Lever
L



Cross Handle
X

Available Finishes:



Polished Chrome
APC



Polished Nickel
PN



Rose Gold
RG



Satin Nickel
STN

See product page for available finishes

BE106LRG

ACQUI

ARCANA

BELLIA

CAMPO

ECLISSI

GRACELINE

LOMBARDIA

MEDA

MISCELO

PALLADIAN

QUARTLIE

SERIES HIGHLIGHTS

ACQUI

ARCANA

BELLIA

CAMPO

ECLISSI

GRACELINE

LOMBARDIA

MEDA

MISCELO

PALLADIAN

QUARTLIE

FAUCETS



BE51
page 178



BE354
page 178



BE106
page 178

TUB FILLERS



BE26
page 178



BE420
page



BE24
page 179

SHOWER TRIMS



BE110
page 179



BE210N
page 180



BE720
page 180



BE390
page 180

SHOWER PACKAGES

PRESSURE BALANCE

1/2" THERMOSTATIC

3/4" THERMOSTATIC



page 184



page 184



page 185



page 185



page 186



page 186



OTHER CONSIDERATIONS

See product page for available finishes.



U.5135
page 373



I00625
page 377



SLM03
page 376



WI0197
page 378



1510/3
page 384



C7135
page 386



B00177
page 389



SDPVC2/3-3144
page 408



1340
page 396



1282
page 400



24995
page 406



L00362
page 390



BE100
page 182



BE102
page 183



BE400
page 183



BE710
page



SB1800
Shaws® Price Book



SB1715
Shaws® Price Book



U.2518
Perrin & Rowe® Price Book



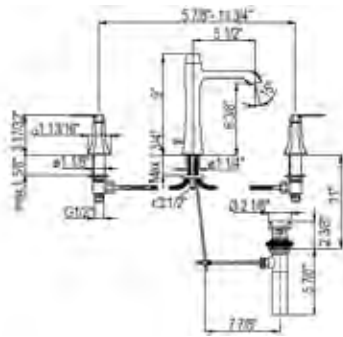
AMALFI
Victoria + Albert® Price Book

SHOWER

ACCESSORIES

BATH FIXTURES





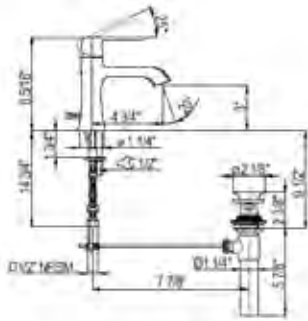
BE106 Bellia™ High Neck Widespread Lavatory Faucet



- Brass construction
- 1.2 GPM

Suggested Retail Price

Handle	APC	PN	STN	RG
L	1,009	1,110	1,311	1,619
X	1,009	1,110	1,311	1,619



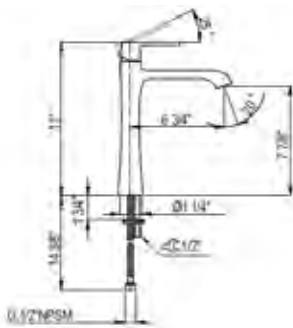
BE51 Bellia™ Single Handle Lavatory Faucet



- Pop-up drain, 1/4" pipe
- 1.2 GPM

Suggested Retail Price

Handle	APC	PN	STN	RG
L	611	690	844	1,018



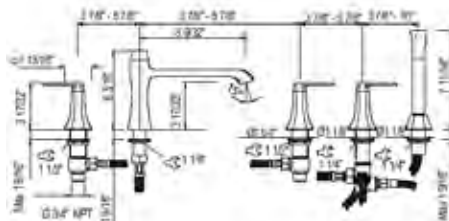
BE354 Bellia™ Single Handle Tall Lavatory Faucet



- 1.2 GPM
- Drain assembly not included with faucet. Must order drain to complete.

Suggested Retail Price

Handle	APC	PN	STN	RG
L	712	792	947	1,087



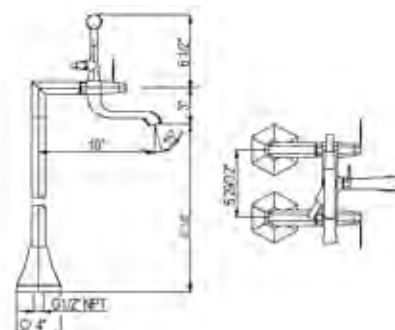
BE26 Bellia™ 5-Hole Deck Mount Tub Filler With Handshower



- 14-16 GPM

Suggested Retail Price

Handle	APC	PN	STN	RG
L	2,030	2,233	2,538	2,883
X	2,030	2,233	2,538	2,883



BE420 Bellia™ Exposed Floor Mount Tub Filler With Handshower And Floor Pillar Legs Or Supply Unions



- Floor legs cannot be cut down
- Brass construction with 1.8 GPM single-function handshower
- Decorative shut-offs available.

Suggested Retail Price

Handle	APC	PN	STN	RG
L	3,055	3,361	3,866	4,339
X	3,055	3,361	3,866	4,339



ACQUI

ARCANA

BELLIA

CAMPO

ECLISSI

GRACELINE

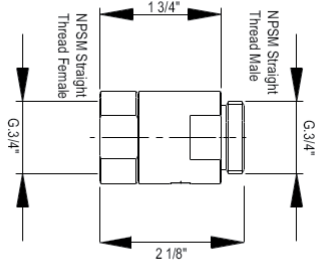
LOMBARDIA

MEDA

MISCELO

PALLADIAN

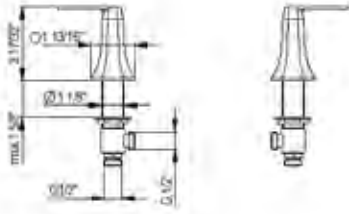
QUARTLIE

ZA1038402 Decorative Shut-Off Valve For Floor Legs

- Fits ZA386 floor pillar legs
- Order two for a set

Suggested Retail Price

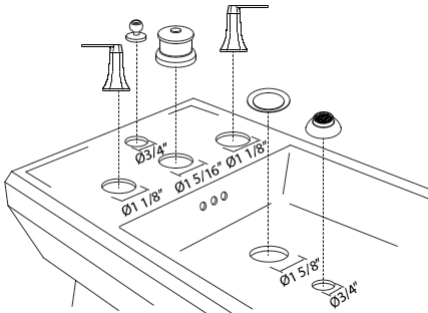
APC	PN	STN	RG
199	209	255	281

BE120 Bellia™ Set Of Hot & Cold 1/2" Sidevalves

- Hose not included. Order C7089.6012 1/2" x 1/2" NPSM connection. Order two for a set.

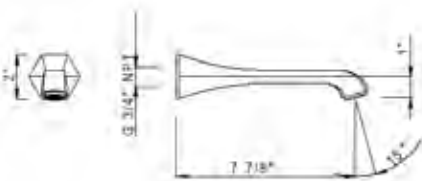
Suggested Retail Price

Handle	APC	PN	STN	RG
L	488	538	633	703
X	488	538	633	703

BE595 Bellia™ 5-Hole Bidet Faucet

Suggested Retail Price

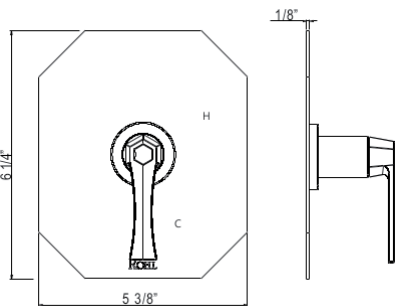
Handle	APC	PN	STN	RG
L	1,718	2,131	2,226	2,549
X	1,718	2,131	2,226	2,549

BE24 Bellia™ Wall Mount Tub Spout

- 6 GPM

Suggested Retail Price

APC	PN	STN	RG
301	343	425	468

BE110 Bellia™ 1/2" Pressure Balance Trim Without Diverter

- Rough valve sold separately
— Order RCT-1 1/2" pressure balance rough valve: \$203

Suggested Retail Price

Handle	APC	PN	STN	RG
L	411	458	518	662
X	411	458	518	662

ACQUI

ARCANA

BELLIA

CAMPO

ECLISSI

GRACELINE

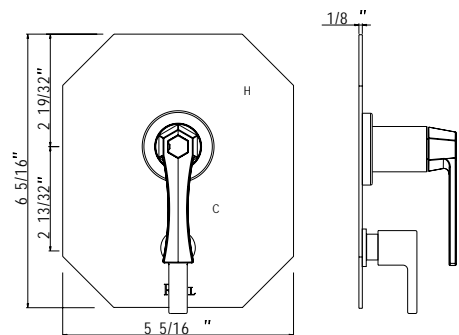
LOMBARDIA

MEDA

MISCELO

PALLADIAN

QUARTLIE



BE210N Bellia™ 1/2" Pressure Balance Trim With Diverter



Suggested Retail Price

Handle	APC	PN	STN	RG
L	480	527	593	790
X	480	527	593	790

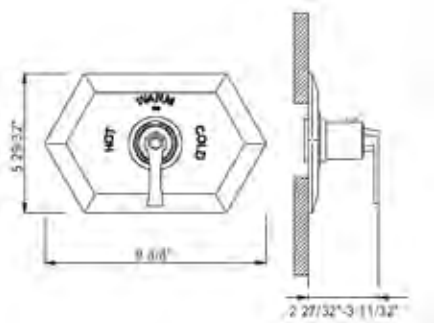
BE720 Bellia™ 3/4" Thermostatic Trim Without Volume Control

Suggested Retail Price

Handle	APC	PN	STN	RG
L	399	440	505	676
X	399	440	505	676



- Must add volume controls to complete system
- Rough valve sold separately
 - Order 1005N 3/4" thermostatic rough valve: \$369



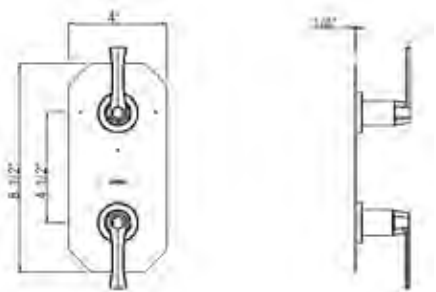
BE390 Bellia™ 1/2" Thermostatic Trim with Diverter

Suggested Retail Price

Handle	APC	PN	STN	RG
L	655	728	833	1,035
X	655	728	833	1,035



- Rough valve sold separately
 - Order R1051BV 1/2" thermostatic 1 function rough valve: \$448
 - Order R1052BD 1/2" thermostatic 2 function rough valve: \$449
 - Order R1053BD 1/2" thermostatic 3 function rough valve: \$524
 - Order R1055BD 1/2" thermostatic 5 function rough valve: \$524



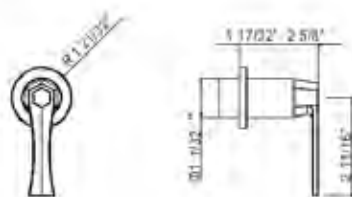
BE195 Bellia™ Trim For Volume Control And Diverter

Suggested Retail Price

Handle	APC	PN	STN	RG
L	253	279	324	382
X	253	279	324	382



- Rough valve sold separately
 - Order R1040R 3/4" volume control rough valve: \$160
 - Order R1062BO 4-port, 3-way dedicated diverter rough valve: \$319



DSA13750 Bellia™ 11 13/16" Wall Mount Shower Arm

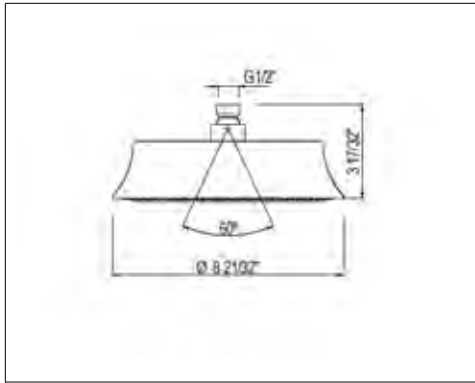
Suggested Retail Price

APC	PN	STN	RG
101	123	140	203





ACQUI

**DSA16200** Bellia™ Rain Showerhead

Suggested Retail Price

APC	PN	STN	RG
503	558	644	780



- Flow rate 1.8 GPM

ARCANA

BELLIA

**BEKIT12110** Bellia™ Handshower Set With Slide Rail

Suggested Retail Price

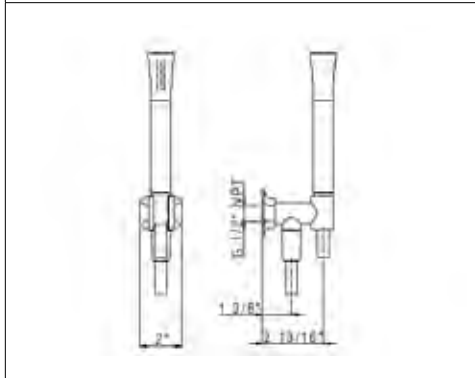
APC	PN	STN	RG
765	841	969	1,179



- Complete with the following items:
 - DSA12210 Slide Bar
 - BE170 Wall Outlet
 - DS014200 Single-Function Handshower
 - ZA109070 58" Metal Hose
- Flow rate 1.8 GPM

CAMPO

ECLISSI

**BE303** Bellia™ Handshower, Hose And Handshower Holder Set

Suggested Retail Price

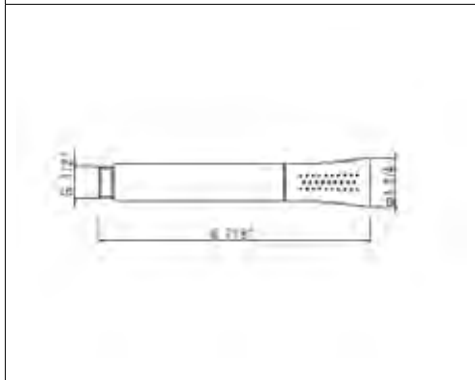
APC	PN	STN	RG
404	440	511	599



- Complete with the following items:
 - BE364 Handshower Holder Outlet
 - DS014200 Single-Function Handshower
 - ZA109070 58" Metal Hose
- Flow rate 1.8 GPM

GRACELINE

LOMBARDIA

**DS014200** Bellia™ Single-Function Handshower

Suggested Retail Price

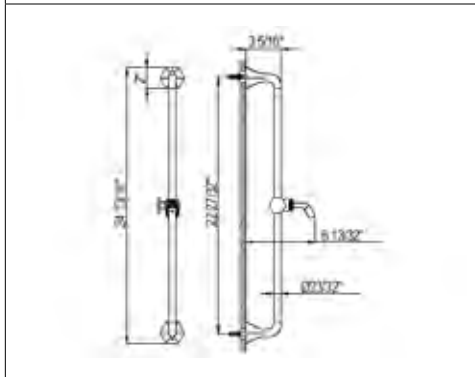
APC	PN	STN	RG
137	152	187	199



- Flow rate 1.8 GPM

MEDA

MISCELO

**DSA12210** Bellia™ Slide Bar

Suggested Retail Price

APC	PN	STN	RG
407	451	523	661



PALLADIAN

QUARTLIE



ACQUI

ARCANA

BELLIA

CAMPO

ECLISSI

GRACELINE

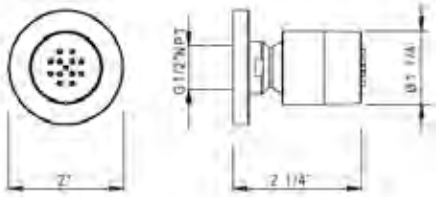
LOMBARDIA

MEDA

MISCELO

PALLADIAN

QUARTLIE



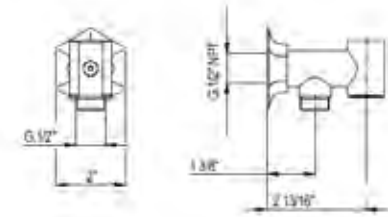
DS015090 Bellia™ Single-Function Body Spray



- Flow rate 0.75 GPM

Suggested Retail Price

APC	PN	STN	RG
140	170	198	254

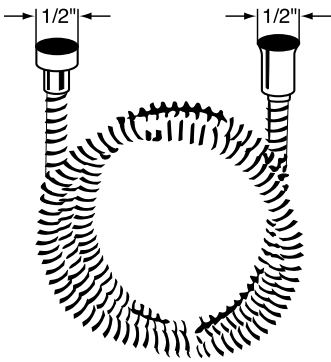


BE364 Bellia™ Handshower Wall Outlet With Handshower Holder



Suggested Retail Price

APC	PN	STN	RG
198	213	238	298

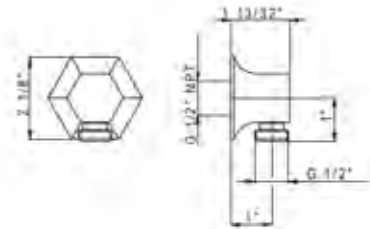


ZA109070 58" Metal Hose



Suggested Retail Price

APC	PN	STN	RG
62	67	86	265

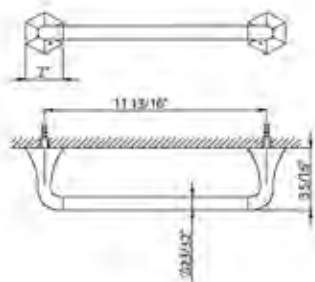


BE170 Bellia™ Shower Outlet



Suggested Retail Price

APC	PN	STN	RG
152	163	173	217



BE100 Bellia™ Wall Mount 12" Single Towel Bar



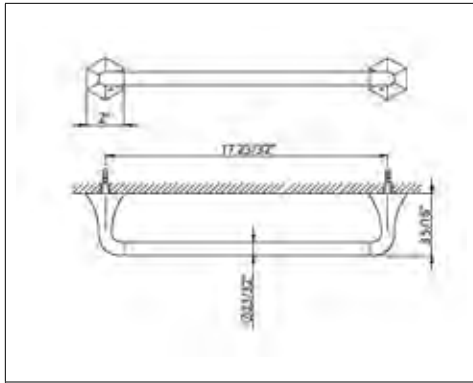
- Cannot be cut

Suggested Retail Price

APC	PN	STN	RG
283	314	374	407



ACQUI

**BE101** Bellia™ Wall Mount 18" Single Towel Bar

Suggested Retail Price

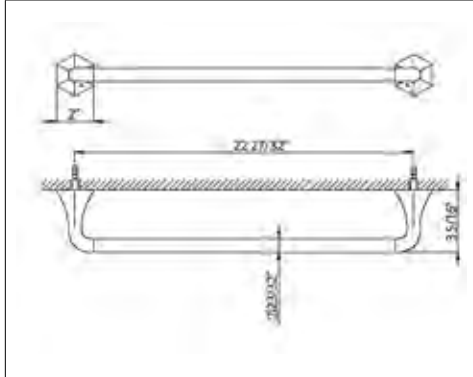
APC	PN	STN	RG
305	338	398	453



- Cannot be cut

ARCANA

BELLIA

**BE102** Bellia™ Wall Mount 24" Single Towel Bar

Suggested Retail Price

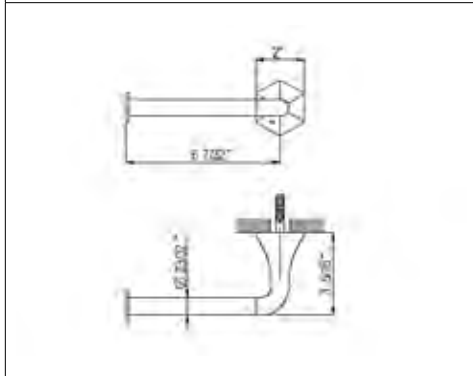
APC	PN	STN	RG
322	356	419	503



- Cannot be cut

CAMPO

ECLISSI

**BE400** Bellia™ Wall Mount Open Toilet Paper Holder

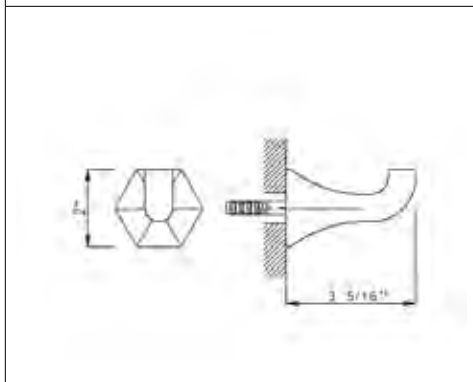
Suggested Retail Price

APC	PN	STN	RG
204	227	268	302



GRACELINE

LOMBARDIA

**BE710** Bellia™ Wall Mount Single Robe/Towel Hook

Suggested Retail Price

APC	PN	STN	RG
101	119	135	152



MEDA

MISCELO

PALLADIAN

QUARTLIE



PRESSURE BALANCE SHOWER OPTION 1

Suggested Retail Price

Model	Description	Polished Chrome
BE110	Trim	411
DSA16200	Showerhead	503
DSA13750	Shower Arm	101
RCT-1	Rough	203
Total Package List Price With Roughs		1,218

Note: Sample configuration priced in Polished Chrome. Other configurations and finishes available. Complete your Shower experience by including one of our decorative drain options.



PRESSURE BALANCE SHOWER OPTION 2

Suggested Retail Price

Model	Description	Polished Chrome
BE210	Trim	480
DSA16200	Showerhead	503
DSA13750	Shower Arm	101
DS014200	Handshower	137
DSA12210	Handshower Bar	407
BE170	Outlet	152
ZA109070	Hose	62
RDD-2	Rough	326
Total Package List Price With Roughs		2,168

Note: Sample configuration priced in Polished Chrome. Other configurations and finishes available. Complete your Shower experience by including one of our decorative drain options.





1/2" THERMOSTATIC SHOWER OPTION 1

Model	Description	Suggested Retail Price
		Polished Chrome
BE390	Trim	655
DSA16200	Showerhead	503
DSA13750	Shower Arm	101
DS014200	Handshower	137
DSA12210	Handshower Bar	407
BE170	Outlet	152
ZA109070	Hose	62
Total Package List Price With Roughs		2,541
R1055BD	Rough	524
Total Package List Price With Roughs		2,466

Note: Sample configuration priced in Polished Chrome. Other configurations and finishes available. Complete your Shower experience by including one of our decorative drain options.



1/2" THERMOSTATIC SHOWER OPTION 2

Model	Description	Suggested Retail Price
		Polished Chrome
BE390	Trim	655
DSA16200	Showerhead	503
DSA13750	Shower Arm	101
SLM03	Ceiling Showerhead	704
1505/3	Ceiling Shower Arm	107
DS014200	Handshower	137
DSA12210	Handshower Bar	407
BE170	Outlet	152
ZA109070	Hose	62
Total Package List Price With Roughs		3,352
R1055BD	Rough	524
Total Package List Price With Roughs		3,352
R1053BD	Rough (No Share)	524
Total Package List Price With Roughs		3,352

Note: Sample configuration priced in Polished Chrome. Other configurations and finishes available. Complete your Shower experience by including one of our decorative drain options.



1/2" THERMOSTATIC SHOWER OPTION 3

Suggested Retail Price

Model	Description	Polished Chrome
BE390	Trim	655
DSA16200	Showerhead	503
DSA13750	Shower Arm	101
DS014200	Handshower	137
BE364	Handshower Bracket	198
ZA109070	Hose	62
BE24	Tub Spout	301
Total Package List Price With Roughs		2,481

R1053BD	Rough (No Share)	524
Total Package List Price With Roughs		2,481

Note: Sample configuration priced in Polished Chrome. Other configurations and finishes available. Complete your Shower experience by including one of our decorative drain options.



3/4" THERMOSTATIC SHOWER OPTION 1

Suggested Retail Price

Model	Description	Polished Chrome
BE720	Trim	399
DSA16200	Showerhead	503
DSA13750	Shower Arm	101
DS014200	Handshower	137
DSA12210	Handshower Bar	407
BE170	Outlet	152
ZA109070	Hose	62
BE195 (x3)	Volume Controls (x3)	253
DS015090 (x2)	Body Sprays (x2)	140
Total Package List Price With Roughs		3,649

Note: Sample configuration priced in Polished Chrome. Other configurations and finishes available. Complete your Shower experience by including one of our decorative drain options.

CAMPO™

Authentically Crafted in Italy

Named for Piazza del Campo in Sienna, Italy, the Campo™ Collection celebrates the famous systems of conduits that brings water to the area. In the 14th century, miles of tunnels and aqueducts were built to deliver water to the famous Fonte Gaia – or Fountain of the World. The Campo™ handle and escutcheon design emulates the valve/ stem combination used in the building of industrial conduit systems. Made by northern Italian craftsmen, using know-how passed down through generations.



Handle Options



*Industrial Metal Wheel
IW*



*Industrial Metal Lever
IL*

Available Finishes:



*Polished Chrome
APC*



*Polished Nickel
PN*



*Tuscan Brass®
TCB*



*Satin Nickel
STN*



*Satin Unlacquered Brass
SUB*



*Matte Black
MB*

See product page for available finishes

A3318IWAPC

ACQUI

ARCANA

BELLIA

CAMPO

ECLISSI

GRACELINE

LOMBARDIA

MEDA

MISCELO

PALLADIAN

QUARTLIE

SERIES HIGHLIGHTS

ACQUI

ARCANA

BELLIA

CAMPO

ECLISSI

GRACELINE

LOMBARDIA

MEDA

MISCELO

PALLADIAN

QUARTLIE

FAUCETS



A3318
page 190



A3307
page 190



A3702
page 190

TUB FILLERS



A3314
page 192



AKIT3302N
page 192



A3302
page 192



A2203IW
page 193

SHOWER TRIMS



A2210
page 193



A3210N
page 193



A4914
page 271



A4464
page 194

SHOWER PACKAGES

PRESSURE BALANCE

1/2" THERMOSTATIC

3/4" THERMOSTATIC



page 196



page 196



page 197



page 197



page 198



page 198



OTHER CONSIDERATIONS

See product page for available finishes.



U.5135
page 373



SLM02
page 374



I00625
page 377



BI00059
page 380



1505/24
page 385



B0310
page 386



B01168
page 388



SDPVC2/3-3146
page 408

SHOWER



L0095KIT1
page 390



AKIT8074IW
page 394



L00362
page 390



C50000/1
page 405



A1486IW
page 194



A1492IW
page 195



A1485IW
page 195



A1484IW
page 194

ACCESSORIES



SB1814
Shaws® Price Book



U.2512
Perrin & Rowe® Price Book



CABRITS 55
Victoria + Albert® Price Book



CABRITS
Victoria + Albert® Price Book

BATH FIXTURES



APC



PN



STN



TCB



SUB



MB



IW



IL

ACQUI

ARCAVA

BELLIA

CAMPO

ECLISSI

GRACELINE

LOMBARDIA

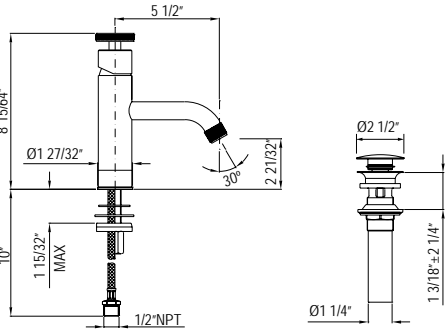
MEDA

MISCELO

PALLADIAN

QUARTLIE

A3702 Campo™ Single Industrial Lever Handle Lavatory Faucet

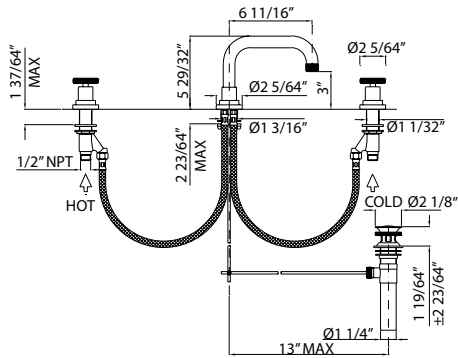


• 1.2 GPM

Suggested Retail Price

Handle	APC	PN	STN	SUB	TCB
IL	614	676	823	823	872
IW	614	676	823	823	872

A3318 Campo™ U-Spout Widespread Lavatory Faucet

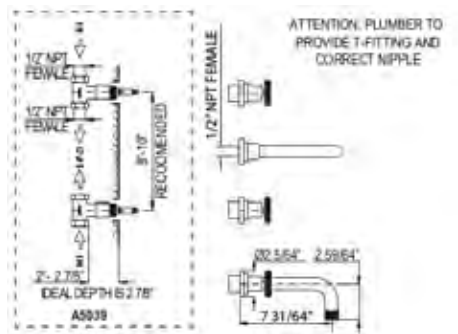


- Matching tub filler A3314IL
- 1.2 GPM

Suggested Retail Price

Handle	APC	PN	STN	SUB	TCB
IL	818	900	1,095	1,095	1,161
IW	818	900	1,095	1,095	1,161

A3307 Campo™ Wall Mount Widespread Lavatory Faucet

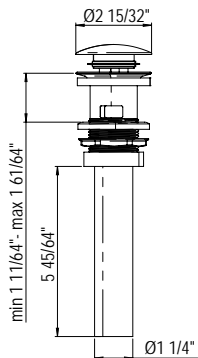


- Rough valve sold separately
 - Order A5039L lever wall rough valve: \$185
 - Order A5039X cross wall rough valve: \$185
- Plumber to provide 1/2" male nipple T-fitting for spout installation
- 1.2 GPM aerator
- Drain assembly not included with faucet. Must order drain to complete.

Suggested Retail Price

Handle	APC	PN	STN	SUB	TCB
IL	630	630	1,018	1,018	1,157
IW	630	630	1,018	1,018	1,157

CC2310FWO Touch Seal Dome Drain for Overflow and No-Overflow Sinks



NEW

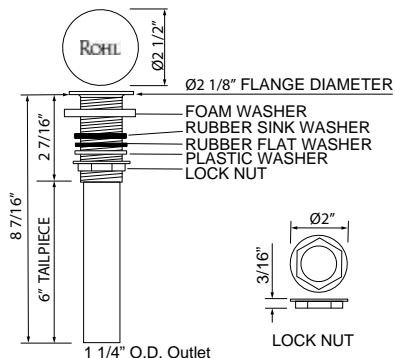


• Available: Summer 2020

Suggested Retail Price

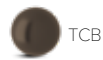
APC	STN	MB	SG
128	160	166	182

5445 Touch Seal Dome Drain With 6" Tailpiece for No-Overflow Sinks

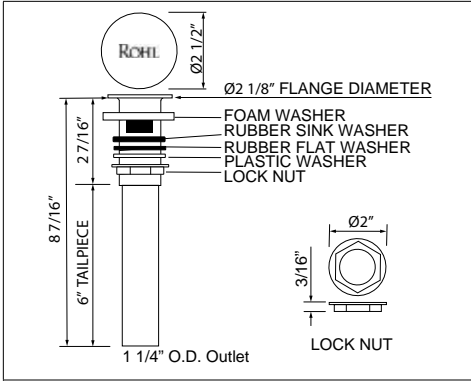


Suggested Retail Price

APC	PN	STN	IB	TCB
277	277	277	686	539



ACQUI



5447 Slotted Touch Seal Dome Drain With 6" Tailpiece for Overflow Sinks

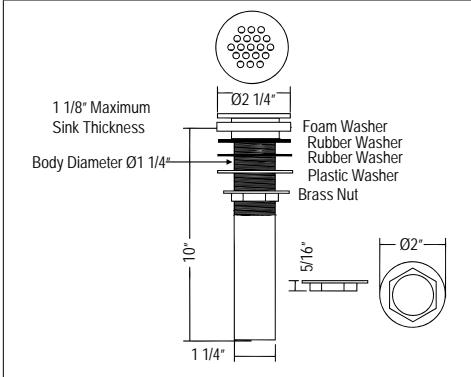
Suggested Retail Price

APC	PN	STN	IB	TCB
277	277	277	686	539



ARCANA

BELLIA



6442 Non Slotted Grid Drain for No-Overflow Sinks

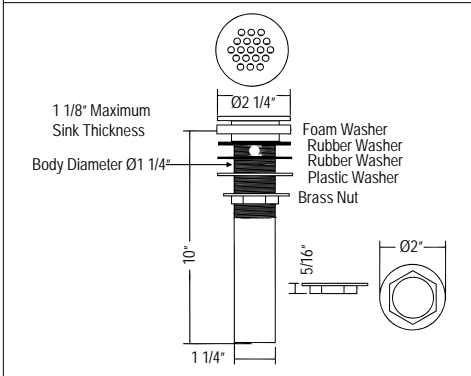
Suggested Retail Price

APC	PN	STN	IB	TCB
249	249	249	526	426



CAMPO

ECLISSI



7444 Grid Drain for Overflow Sinks

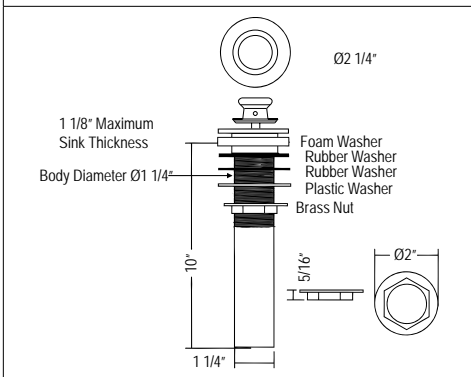
Suggested Retail Price

APC	PN	STN	IB	MB	TCB
249	249	249	526	249	426



GRACELINE

LOMBARDIA



8446 Lift And Turn Drain for No-Overflow Sinks

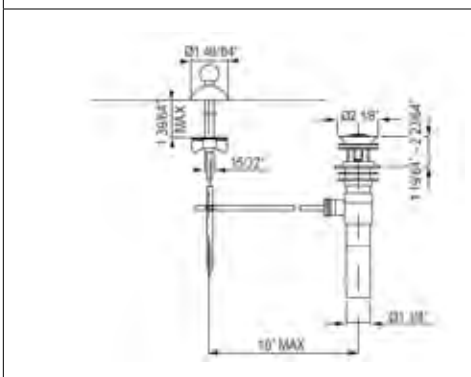
Suggested Retail Price

APC	PN	STN	IB	TCB
281	281	281	614	504



MEDA

MISCELO



CNZREMOTE Remote Pop-Up Set

Suggested Retail Price

APC	PN	STN	IB	TCB
198	198	310	310	310



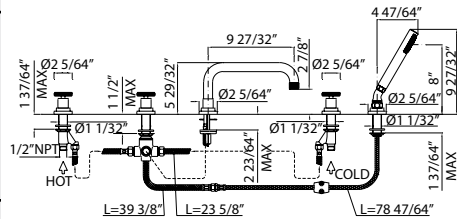
- Not for use with vessel bowls or bowls without overflow

PALLADIAN

QUARTLIE



A3314 Campo™ 5-Hole Deck Mount Tub Filler

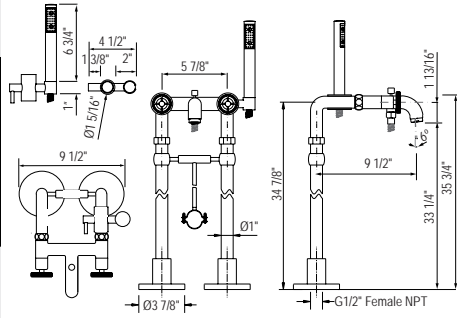


- 4 GPM at 60 PSI
- Matching lavatory faucet A3318IW

Suggested Retail Price

Handle	APC	PN	STN	SUB	TCB
IL	1,845	2,029	2,472	2,472	2,620
IW	1,845	2,029	2,472	2,472	2,620

AKIT3302N Campo™ Exposed Floor Mount Tub Filler With Handshower, And Floor Pillar Legs Or Supply Unions

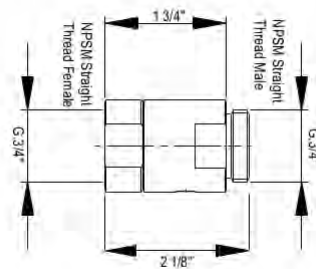


- 6.6 GPM at 60 PSI
- Floor legs cannot be cut down
- Kit includes:
 - ZA386 floor legs
 - A3302N
- 2" straight union extensions available, order part # C7205EXT+FINISH for a set of two.

Suggested Retail Price

Handle	APC	PN	STN	TCB
IL	2,379	2,497	3,275	3,371
IW	2,379	2,617	3,275	3,467

ZA1038402 Decorative Shut-Off Valve For Floor Legs

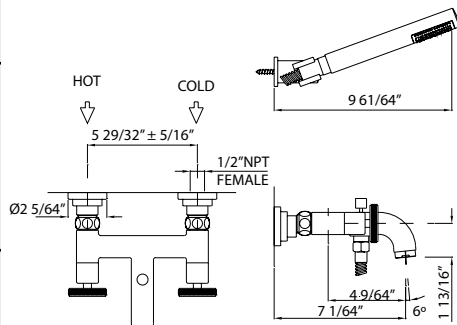


- Fits ZA386 floor pillar legs
- Order two for a set

Suggested Retail Price

APC	PN	STN	IB	TCB
199	209	255	255	255

A3302 Campo™ Wall Mount Exposed Tub Filler With Handshower

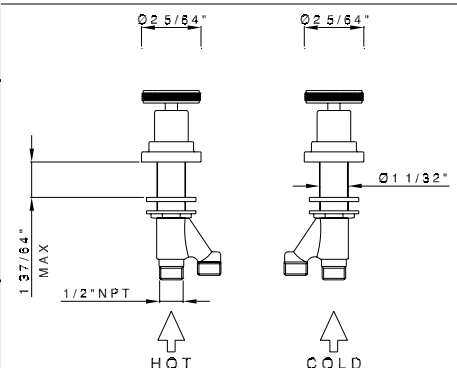


- Wall mount only. Cannot be installed with iron tub unions or deck unions.
- 6.6 GPM at 60 PSI

Suggested Retail Price

Handle	APC	PN	STN	TCB
IL	1,195	1,315	1,601	1,697
IW	1,195	1,315	1,601	1,697

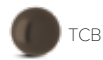
A3311 Campo™ Set Of Hot & Cold 1/2" Sidevalves



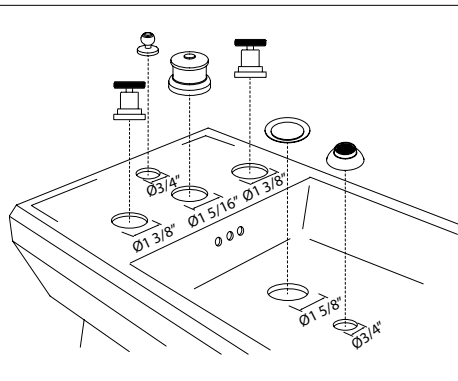
- Hose not included. Order C7089.6012 1/2" x 1/2" NPSM connection. Order two for a set.

Suggested Retail Price

Handle	APC	PN	STN	TCB
IL	655	722	877	931
IW	655	722	877	931



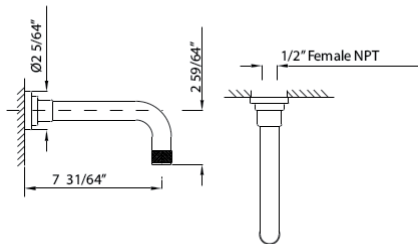
ACQUI

**A3360 Campo™ 5-Hole Bidet Faucet****Suggested Retail Price**

Handle	APC	PN	STN	TCB
IL	1,885	2,315	2,470	2,790
IW	1,885	2,315	2,470	2,790



ARCANA

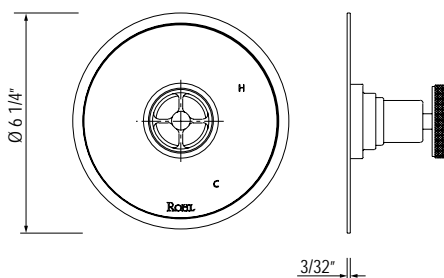
**A2203IW Campo™ Wall Mount Tub Spout****Suggested Retail Price**

APC	PN	STN	SUB	TCB
247	273	331	331	331



BELLIA

CAMPO

**A2210 Campo™ 1/2" Pressure Balance Trim Without Diverter****Suggested Retail Price**

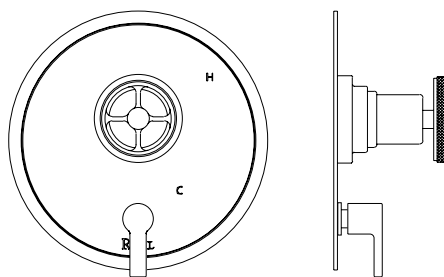
Handle	APC	PN	STN	TCB
IL	359	391	464	481
IW	359	391	464	481



- Rough valve sold separately
— Order RCT-1 1/2" pressure balance rough valve: \$203

ECLISSI

GRACELINE

**A3210N Campo™ 1/2" Pressure Balance Trim With Diverter****Suggested Retail Price**

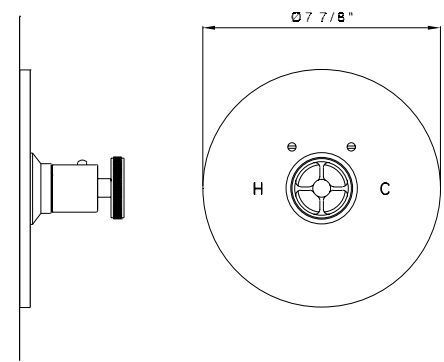
Handle	APC	PN	STN	MB	TCB
IL	431	463	542	542	567
IW	431	463	542	542	567



- Rough valve sold separately
— Order RDD-2 1/2" pressure balance rough valve: \$326

LOMBARDIA

MEDA

**A4914 Campo™ 3/4" Thermostatic Trim Without Volume Control****Suggested Retail Price**

Handle	APC	PN	STN	MB	SUB	TCB
IL	391	431	519	519	519	555
IW	391	431	519	519	519	555



- Rough valve sold separately
— Order 1005N 3/4" thermostatic rough valve: \$369

MISCELO

PALLADIAN

QUARTLIE



IW



IL

ACQUI

ARCANA

BELLIA

CAMPO

ECLISSI

GRACELINE

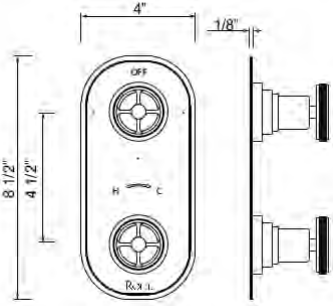
LOMBARDIA

MEDA

MISCELO

PALLADIAN

QUARTLIE

**A4464 Campo™ 1/2" Thermostatic Trim with Diverter****Suggested Retail Price**

Handle	APC	PN	STN	MB	TCB
IL	592	634	750	750	784
IW	592	634	750	750	750



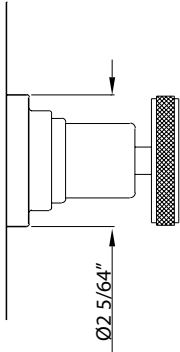
- Rough valve sold separately
 - Order R1051BV 1/2" thermostatic 1 function rough valve: \$448
 - Order R1052BD 1/2" thermostatic 2 function rough valve: \$449
 - Order R1053BD 1/2" thermostatic 3 function rough valve: \$524
 - Order R1055BD 1/2" thermostatic 5 function rough valve: \$524

A4912TO Campo™ Trim For Volume Control And 4-Port Dedicated Diverter**Suggested Retail Price**

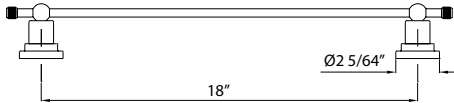
Handle	APC	PN	STN	MB	SUB	TCB
IL	211	232	282	282	282	299
IW	211	232	282	282	282	299



- Rough valve sold separately
 - Order R1040R 3/4" volume control rough valve: \$160
 - Order R1062BO 4-port, 3-way dedicated diverter rough valve: \$319

**A1484IW Campo™ Wall Mount 18" Single Towel Bar****Suggested Retail Price**

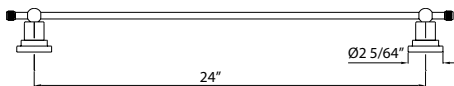
APC	PN	STN	MB	SUB	TCB
315	315	421	421	421	421



- Cannot be cut

A1486IW Campo™ Wall Mount 24" Single Towel Bar**Suggested Retail Price**

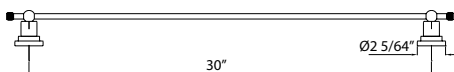
APC	PN	STN	MB	SUB	TCB
259	259	346	346	346	346



- Cannot be cut

A1489IW Campo™ Wall Mount 30" Single Towel Bar**Suggested Retail Price**

APC	PN	STN	MB	TCB
282	282	377	377	377



- Cannot be cut



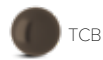
APC



PN



STN



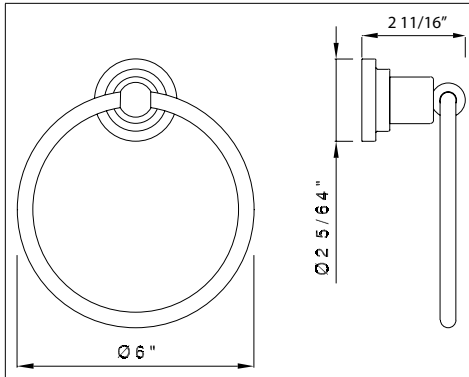
TCB



SUB



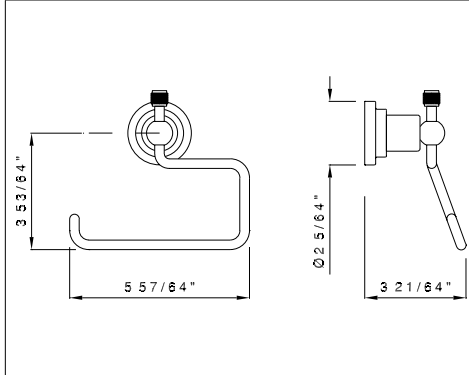
MB



A1485IW Campo™ Wall Mount Towel Ring

Suggested Retail Price

APC	PN	STN	MB	SUB	TCB
242	242	324	324	324	324

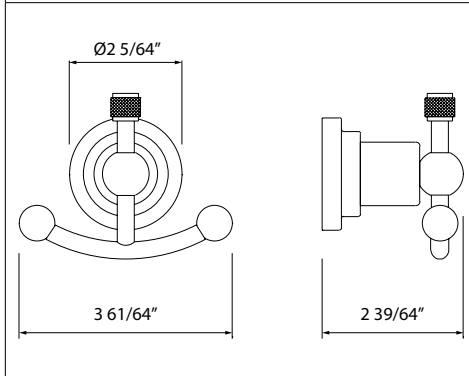


A1492IW Campo™ Wall Mount Open Toilet Paper Holder

Suggested Retail Price

APC	PN	STN	MB	SUB	TCB
257	257	342	342	342	342

- Accommodates oversized TP rolls



A1481 Campo™ Wall Mount Double Robe Hook

Suggested Retail Price

APC	PN	STN	MB	SUB	TCB
210	210	280	280	280	280



ACQUI

ARCANA

BELLIA

CAMPO

ECLISSI

GRACELINE

LOMBARDIA

MEDA

MISCELO

PALLADIAN

QUARTLIE



ACQUI

ARCANA

BELLIA

CAMPO

ECLISSI

GRACELINE

LOMBARDIA

MEDA

MISCELO

PALLADIAN

QUARTLIE

**PRESSURE BALANCE SHOWER OPTION 1****Suggested Retail Price**

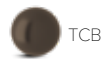
Model	Description	Polished Chrome
A2210	Trim	359
B00102	Handshower	149
A8074IW	Handshower Bar	598
33640	Outlet	90
16295	Hose	51
RCT-1	Rough	203
Total Package List Price With Roughs		1,450

Note: Sample configuration priced in Polished Chrome. Other configurations and finishes available. Complete your Shower experience by including one of our decorative drain options.

**PRESSURE BALANCE SHOWER OPTION 2****Suggested Retail Price**

Model	Description	Polished Chrome
A3210	Trim	431
W0196	Showerhead	235
1120/12	Shower Arm	70
B00102	Handshower	149
A8074IW	Handshower Bar	598
33640	Outlet	90
16295	Hose	51
RDD-2	Rough	326
Total Package List Price With Roughs		1,950

Note: Sample configuration priced in Polished Chrome. Other configurations and finishes available. Complete your Shower experience by including one of our decorative drain options.



1/2" THERMOSTATIC SHOWER OPTION 1

Model	Description	Suggested Retail Price
		Polished Chrome
A4464	Trim	592
WI0196	Showerhead	235
1120/12	Shower Arm	70
B00102	Handshower	149
A8074IW	Handshower Bar	598
33640	Outlet	90
16295	Hose	51
R1055BD	Rough	524
Total Package List Price With Roughs		2,309
R1052BD	Rough (No Share)	449
Total Package List Price With Roughs		2,234

Note: Sample configuration priced in Polished Chrome. Other configurations and finishes available. Complete your Shower experience by including one of our decorative drain options.



1/2" THERMOSTATIC SHOWER OPTION 2

Model	Description	Suggested Retail Price
		Polished Chrome
A4464	Trim	592
WI0196	Showerhead	235
1120/12	Shower Arm	70
SLM03	Ceiling Showerhead	704
1505/3	Ceiling Shower Arm	107
B00102	Handshower	149
A8074IW	Handshower Bar	598
33640	Outlet	90
16295	Hose	51
R1055BD	Rough	524
Total Package List Price With Roughs		3,120
R1053BD	Rough (No Share)	524
Total Package List Price With Roughs		3,120

Note: Sample configuration priced in Polished Chrome. Other configurations and finishes available. Complete your Shower experience by including one of our decorative drain options.

ACQUI

ARCANA

BELLIA

CAMPO

ECLISSI

GRACELINE

LOMBARDIA

MEDA

MISCELO

PALLADIAN

QUARTLIE



ACQUI

ARCANA

BELLIA

CAMPO

ECLISSI

GRACELINE

LOMBARDIA

MEDA

MISCELO

PALLADIAN

QUARTLIE

**1/2" THERMOSTATIC SHOWER OPTION 3****Suggested Retail Price**

Model	Description	Polished Chrome
A4464	Trim	592
WI0196	Showerhead	235
1120/12	Shower Arm	70
B00102	Handshower	149
CD8000	Handshower Bracket	149
16295	Hose	51
A2203IW	Tub Spout	247
R1055BD	Rough	524
Total Package List Price With Roughs		2,017
R1053BD	Rough (No Share)	524
Total Package List Price With Roughs		2,017

Note: Sample configuration priced in Polished Chrome. Other configurations and finishes available. Complete your Shower experience by including one of our decorative drain options.

3/4" THERMOSTATIC SHOWER OPTION 1**Suggested Retail Price**

Model	Description	Polished Chrome
A4914	Trim	391
WI0196	Showerhead	235
1120/12	Shower Arm	70
B00102	Handshower	149
A8074IW	Handshower Bar	598
33640	Outlet	90
16295	Hose	51
A4912 (x3)	Volume Controls (x3)	211
I00124 (x2)	Body Sprays (x2)	112
1005N	Rough	369
R1040R (x3)	Volume Control Rough (x3)	160
Total Package List Price With Roughs		3,290

Note: Sample configuration priced in Polished Chrome. Other configurations and finishes available. Complete your Shower experience by including one of our decorative drain options.

ECLISSI™

Authentically Crafted in Italy

In unique contrast to other ROHL® collections emphasizing European or American style, the Eclissi™ Bath Collection is inspired by the phenomenon of the perfect alignment of two planetary objects during an eclipse – the collection's Italian namesake. While only aligned for an instant, the two spheres coexist beautifully in space the rest of the time. The infinite handle design with shapes of inner and outer circles provide a harmonious aesthetic and are offered in a variety of finish combinations. Unlike their celestial inspiration, these faucets are designed to shine in whatever space they make their own and are never obscured. Forged in Italy with unmatched quality and attention to detail, the Eclissi™ Collection is sure to make a design statement.



Available inner inserts:



*Polished Chrome
APC*



*Satin Nickel
STN*



*Satin Gold
SG*



*Matte Black
MB*

Available finishes:



*Polished Chrome
APC*



*Satin Nickel
STN*



*Satin Gold
SG*



*Matte Black
MB*

See product page for available finishes

EC09D3IW

ACQUI

ARCANA

BELLIA

CAMPO

ECLISSI

GRACELINE

LOMBARDIA

MEDA

MISCELO

PALLADIAN

QUARTLIE

ACQUI

ARCANA

BELLIA

CAMPO

ECLISSI

GRACELINE

LOMBARDIA

MEDA

MISCELO

PALLADIAN

QUARTLIE

FAUCETS



EC09D3
page 205

EC08D3
page 203

EC01D1
page 203

EC02D1
page 203

EC08W3
page 203

EC09W3
page 205

TUB FILLERS



EC05D5
page 206

EC06D5
page 205

EC16W1
page 205

EC17W1
page 206

SHOWER TRIMS



EC10W1
page 206

EC11W1
page 206

EC13W1
page 206

EC12W2
page 207

SHOWER PACKAGES

PRESSURE BALANCE

1/2" THERMOSTATIC

3/4" THERMOSTATIC



page 208

page 208

page 209

page 209

page 210

page 210

OTHER CONSIDERATIONS NEW

See product page for available finishes.



BI00701
page 372



NEW **I00412**
page 375



I00625
page 377



BI00059
page 380



1505/24
page 385



B00102
page 389



B001168
page 388



SDPVC2/3-3146
page 408

SHOWER



L0095KIT1
page 390



1265
page 397



1600
page 395



C50000/1
page 405

GRAB BARS



LO1/24
page 207



LO8
page 207



LO4
page 207



LO7
page 207

ACCESSORIES



U.2518
Perrin & Rowe® Price Book



SB1800
Shaws® Price Book



ios 54
Victoria + Albert® Price Book



ionian
Victoria + Albert® Price Book

BATH FIXTURES

ACQUI

ARCANA

BELLIA

CAMPO

ECLISSI

GRACELINE

LOMBARDIA

MEDA

MISCELO

PALLADIAN

QUARTLIE

ECLISSI™ FINISH COMBINATION OPTIONS

ROHL®

- Four spout and outer handle finishes
- Mix & match handles - four inner accent combinations for each spout finish, totaling sixteen possible finish combinations
- Inner accent finish does not change price

POLISHED CHROME (APC)

Spout and outer handle



U-spout

C-spout

Inner accent finish options



Polished Chrome
APC

Satin Nickel
PCN

Matte Black
PCB

Satin Gold
PCG

SATIN NICKEL (STN)

Spout and outer handle



U-spout

C-spout



Polished Chrome
SNC

Satin Nickel
STN

Matte Black
SNB

Satin Gold
SNG

MATTE BLACK (MB)

Spout and outer handle



U-spout

C-spout



Polished Chrome
MBC

Satin Nickel
MBN

Matte Black
MB

Satin Gold
MBG

SATIN GOLD (SG)

Spout and outer handle



U-spout

C-spout

Inner accent finish options



Polished Chrome
SGC

Satin Nickel
SGN

Matte Black
SGB

Satin Gold
SG

ACQUI

ARCANA

BELLIA

CAMPO

ECLISSI

GRACELINE

LOMBARDIA

MEDA

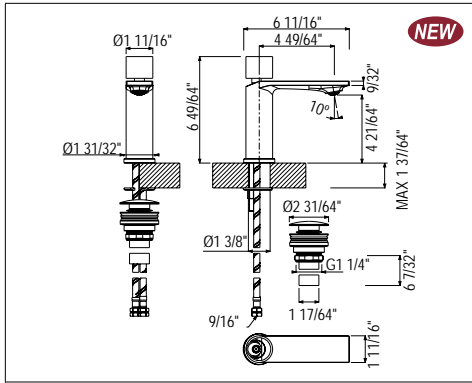
MISCELO

PALLADIAN

QUARTLIE



ACQUI
ARCANA
BELLIA
CAMPO
ECLISSI
GRACELINE
LOMBARDIA
MEDA
MISCELO
PALLADIAN
QUARTLIE



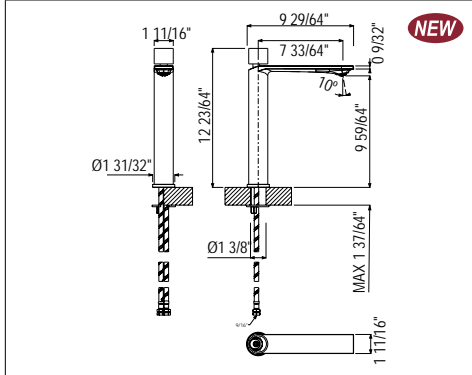
EC01D1 Eclissi™ Single Handle Lavatory Faucet



Suggested Retail Price

Handle	APC	STN	MB	SG	PCB	PCG	PCN	MBC
IW	578	723	751	821	578	578	578	751
Handle	MBG	MBN	SGB	SGC	SGN	SNB	SNC	SNG
IW	751	751	821	821	821	723	723	723

- Available: Summer 2020
- 16 outer and inner handle finish combinations
- Outer handle finish and spout finish are always the same
- 1.2 GPM
- Matching Tub Fillers EC05D5IW and EC06D5IW



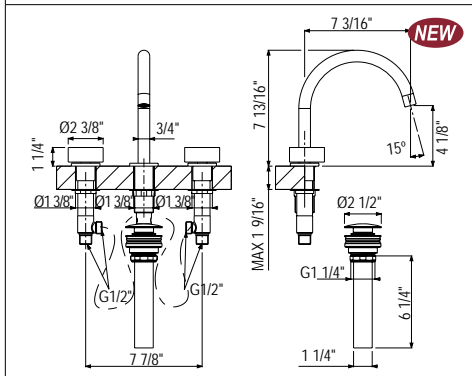
EC02D1 Eclissi™ Single Handle Tall Lavatory Faucet



Suggested Retail Price

Handle	APC	STN	MB	SG	PCB	PCG	PCN	MBC
IW	778	848	1,011	963	778	778	778	882
Handle	MBG	MBN	SGB	SGC	SGN	SNB	SNC	SNG
IW	882	882	963	963	963	848	848	848

- Available: Summer 2020
- 16 outer and inner handle finish combinations
- Outer handle finish and spout finish are always the same
- 1.2 GPM
- Matching Tub Fillers EC05D5IW and EC06D5IW
- Drain assembly not included, must order drain to complete



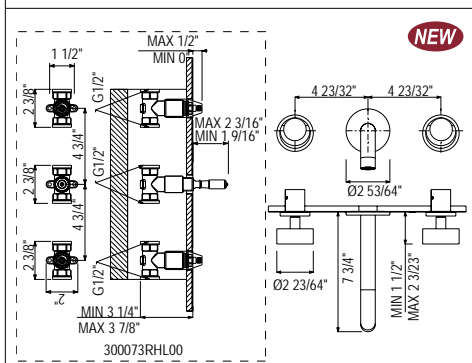
EC08D3 Eclissi™ Widespread Lavatory Faucet - C-Spout



Suggested Retail Price

Handle	APC	STN	MB	SG	PCB	PCG	PCN	MBC
IW	678	848	881	963	678	678	678	881
Handle	MBG	MBN	SGB	SGC	SGN	SNB	SNC	SNG
IW	881	881	963	963	963	848	848	848

- Available: Summer 2020
- 16 outer and inner handle finish combinations
- Outer handle finish and spout finish are always the same
- 1.2 GPM
- Matching Tub Filler EC06D5IW



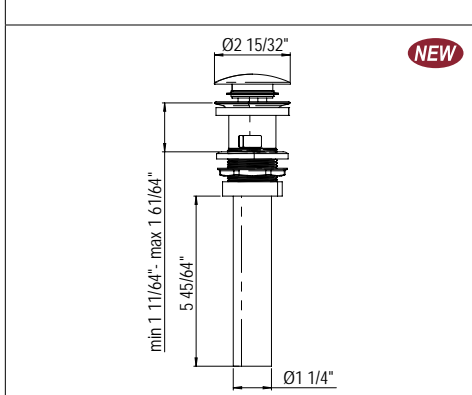
EC08W3 Eclissi™ Wall Mount Widespread Lavatory Faucet - C-Spout



Suggested Retail Price

Handle	APC	STN	MB	SG	PCB	PCG	PCN	MBC
IW	578	723	751	821	578	578	578	751
Handle	MBG	MBN	SGB	SGC	SGN	SNB	SNC	SNG
IW	751	751	821	821	821	723	723	723

- Available: Summer 2020
- 16 outer and inner handle finish combinations
- Outer handle finish and spout finish are always the same
- Rough valve sold separately
 - Order 300073RHL00 lever wall rough valve: \$198
- 1.2 GPM
- Drain assembly not included, must order drain to complete



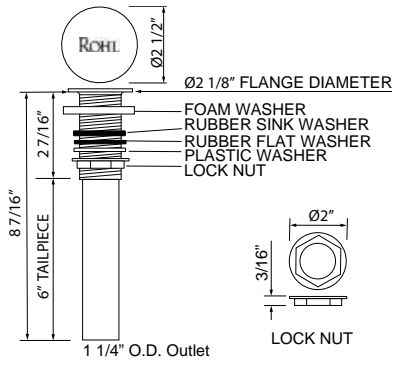
CC2310FWO Touch Seal Dome Drain for Overflow and No-Overflow Sinks



Suggested Retail Price

APC	STN	MB	SG
128	160	166	182

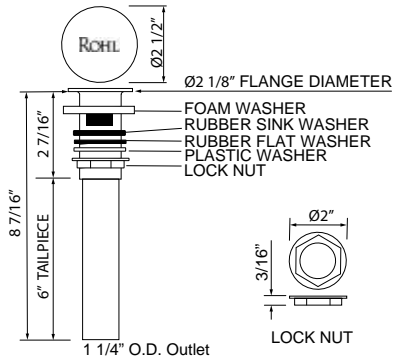
- Available: Summer 2020



5445 Touch Seal Dome Drain With 6" Tailpiece for No-Overflow Sinks

Suggested Retail Price

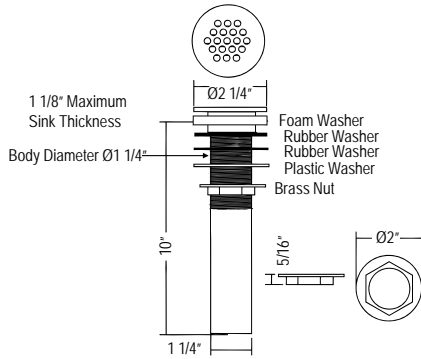
APC	PN	STN	IB	EB	EG	TCB	ULB
277	277	277	686	539	686	539	277



5447 Slotted Touch Seal Dome Drain With 6" Tailpiece for Overflow Sinks

Suggested Retail Price

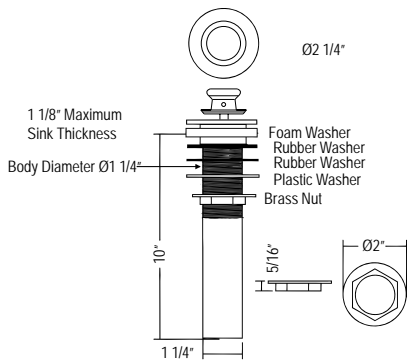
APC	PN	STN	IB	EB	EG	TCB	ULB
277	277	277	686	539	686	539	277



6442 Non Slotted Grid Drain for No-Overflow Sinks

Suggested Retail Price

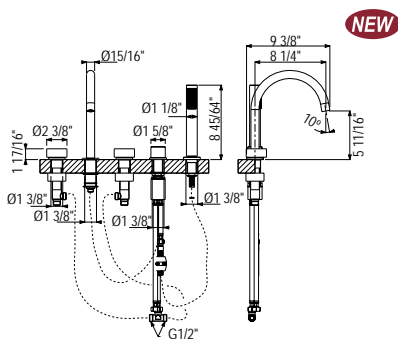
APC	PN	STN	IB	EB	EG	FB	SG	TCB	ULB
249	249	249	526	426	526	729	649	426	249



8446 Lift And Turn Drain for No-Overflow Sinks

Suggested Retail Price

APC	PN	STN	IB	EB	EG	TCB	ULB
281	281	281	614	504	614	504	281



EC06D5 Eclissi™ 5-Hole Deck Mount Tub Filler - C-Spout

Suggested Retail Price

Handle	APC	STN	MB	SG	PCB	PCG	PCN	MBC
IW	1,298	1,623	1,687	1,843	1,298	1,298	1,298	1,687
Handle	MBG	MBN	SGB	SGC	SGN	SNB	SNC	SNG
IW	1,687	1,687	1,843	1,843	1,843	1,623	1,623	1,623



- Available: Summer 2020
- 16 outer and inner handle finishes
- Outer handle finish and spout finish are always the same
- 4 GPM at 60 PSI
- 1.75 GPM for handshower
- Matching lavatory faucet EC08D3IW



ACQUI

ARCANA

BELLIA

CAMPO

ECLISSI

GRACELINE

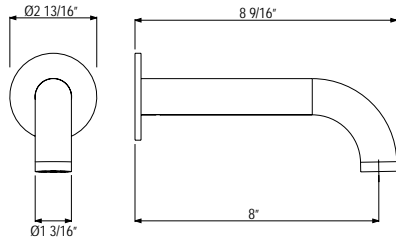
LOMBARDIA

MEDA

MISCELO

PALLADIAN

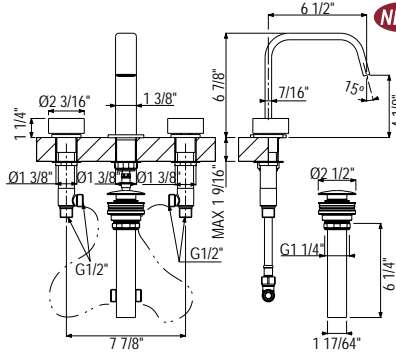
QUARTLIE

NEW**EC16W1 Eclissi™ Wall Mount Tub Spout**

• Available: Summer 2020

Suggested Retail Price

APC	STN	MB	SG
218	273	283	310

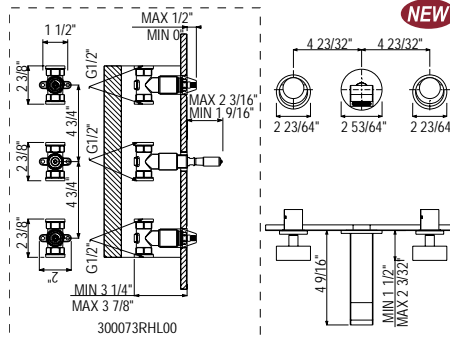
NEW**EC09D3 Eclissi™ Widespread Lavatory Faucet - U-Spout**

• Available: Summer 2020

- 16 outer and inner handle finishes
- Outer handle finish and spout finish are always the same
- 1.2 GPM
- Matching Tub Filler EC05D5IW

Suggested Retail Price

Handle	APC	STN	MB	SG	PCB	PCG	PCN	MBC
IW	778	973	1,011	1,105	778	778	778	1,011
Handle	MBG	MBN	SGB	SGC	SGN	SNB	SNC	SNG
IW	1,011	1,011	1,105	1,105	1,105	973	973	973

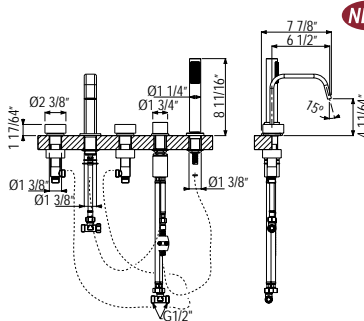
NEW**EC09W3 Eclissi™ Wall Mount Widespread Lavatory Faucet - U-Spout**

• Available: Summer 2020

- 16 outer and inner handle finishes
- Outer handle finish and spout finish are always the same
- Rough valve sold separately
 - Order 300073RHL00 lever wall rough valve: \$198
- 1.2 GPM
- Drain assembly not included, must order drain to complete

Suggested Retail Price

Handle	APC	STN	MB	SG	PCB	PCG	PCN	MBC
IW	678	848	881	963	678	678	678	881
Handle	MBG	MBN	SGB	SGC	SGN	SNB	SNC	SNG
IW	881	881	963	963	963	848	848	848

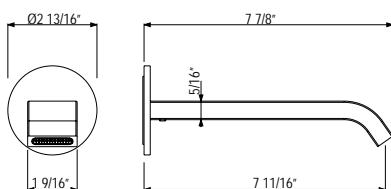
NEW**EC05D5 Eclissi™ 5-Hole Deck Mount Tub Filler - U-Spout**

• Available: Summer 2020

- 16 outer and inner handle finishes
- Outer handle finish and spout finish are always the same
- 4 GPM at 60 PSI
- 1.75 GPM for handshower
- Matching lavatory faucet EC09D3IW

Suggested Retail Price

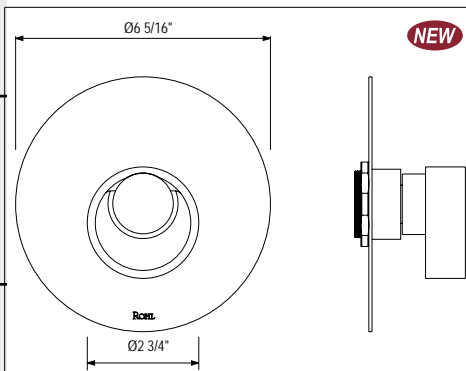
Handle	APC	STN	MB	SG	PCB	PCG	PCN	MBC
IW	1,398	1,748	1,817	1,985	1,398	1,398	1,398	1,817
Handle	MBG	MBN	SGB	SGC	SGN	SNB	SNC	SNG
IW	1,817	1,817	1,985	1,985	1,985	1,748	1,748	1,748

NEW**EC17W1 Eclissi™ Wall Mount Tub Spout**

• Available: Summer 2020

Suggested Retail Price

APC	STN	MB	SG
318	398	413	452



NEW

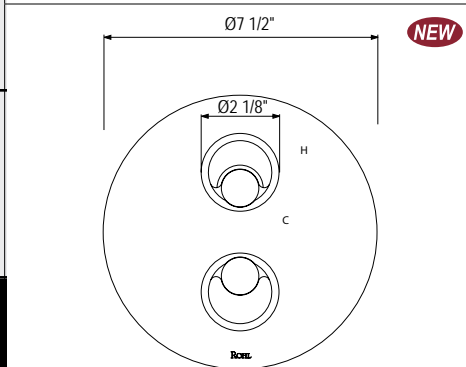
EC10W1 Eclissi™ Pressure Balance Trim without Diverter



Suggested Retail Price

Handle	APC	STN	MB	SG	PCB	PCG	PCN	MBC
IW	398	498	517	565	398	398	398	517
Handle	MBG	MBN	SGB	SGC	SGN	SNB	SNC	SNG
IW	517	517	565	565	565	498	498	498

- Available: Summer 2020
- 16 outer and inner handle finishes
- Outer handle finish and spout finish are always the same
- Rough valve sold separately
 - Order RCT-1 1/2" pressure balance rough valve: \$203



NEW

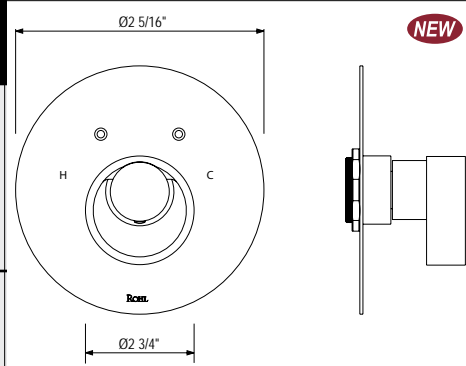
EC11W1 Eclissi™ Pressure Balance Trim with Diverter



Suggested Retail Price

Handle	APC	STN	MB	SG	PCB	PCG	PCN	MBC
IW	498	623	647	707	498	498	498	647
Handle	MBG	MBN	SGB	SGC	SGN	SNB	SNC	SNG
IW	647	647	707	707	707	623	623	623

- Available: Summer 2020
- 16 outer and inner handle finishes
- Outer handle finish and spout finish are always the same
- Rough valve sold separately
 - Order RDD-2 1/2" pressure balance rough valve: \$326



NEW

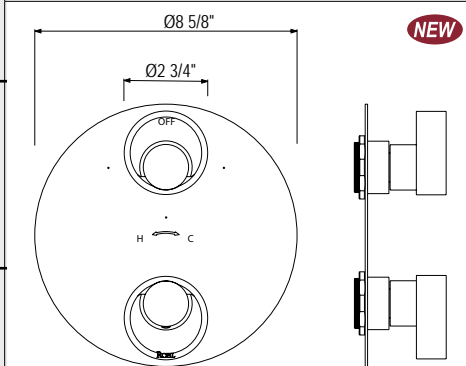
EC13W1 Eclissi™ 3/4" Thermostatic Trim without Volume Control



Suggested Retail Price

Handle	APC	STN	MB	SG	PCB	PCG	PCN	MBC
IW	548	685	712	778	548	548	548	712
Handle	MBG	MBN	SGB	SGC	SGN	SNB	SNC	SNG
IW	712	712	778	778	778	685	685	685

- Available: Summer 2020
- 16 outer and inner handle finishes
- Outer handle finish and spout finish are always the same
- Rough valve sold separately
 - Order 1005N 3/4" thermostatic rough valve: \$369



NEW

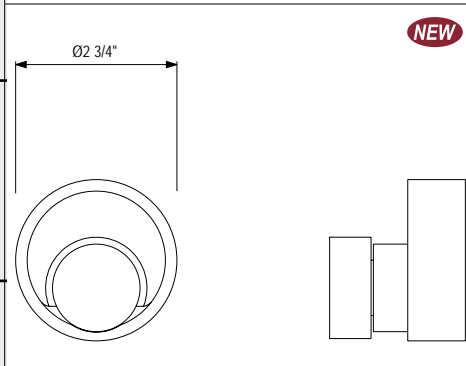
EC12W2 Eclissi™ 1/2" Thermostatic Trim with Diverter



Suggested Retail Price

Handle	APC	STN	MB	SG	PCB	PCG	PCN	MBC
IW	578	723	751	821	578	578	578	751
Handle	MBG	MBN	SGB	SGC	SGN	SNB	SNC	SNG
IW	751	751	821	821	821	723	723	723

- Available: Summer 2020
- Rough valve sold separately
 - Order R1051BV 1/2" thermostatic 1 function rough valve: \$448
 - Order R1052BD 1/2" thermostatic 2 function rough valve: \$449
 - Order R1053BD 1/2" thermostatic 3 function rough valve: \$524
 - Order R1055BD 1/2" thermostatic 5 function rough valve: \$524



NEW

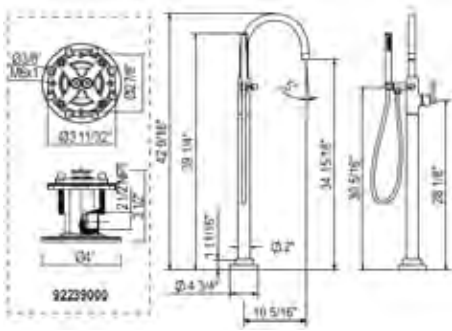
EC18W2 Eclissi™ Trim for Volume Control and Diverter



Suggested Retail Price

Handle	APC	STN	MB	SG	PCB	PCG	PCN	MBC
IW	240	300	312	341	240	240	240	312
Handle	MBG	MBN	SGB	SGC	SGN	SNB	SNC	SNG
IW	312	312	341	341	341	300	300	300

- Available: Summer 2020
- 16 outer and inner handle finishes
- Outer handle finish and spout finish are always the same
- Rough valve sold separately
 - Order R1040R 3/4" volume control rough valve: \$160
 - Order R1062BO 4-port, 3-way dedicated diverter rough valve: \$319



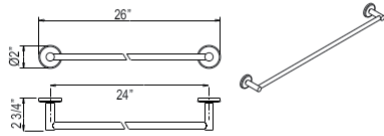
M2287 Single Leg Floor Mount Tub Filler



Suggested Retail Price

Handle	APC	PN	STN
LM	1,831	2,012	2,656

- Rough valve sold separately
 - Order R922390000 floor rough valve: \$547
- 8.2 GPM flow rate at 60 PSI for tub filler
- Remote thermostatic valve may be needed; verify local code requirements



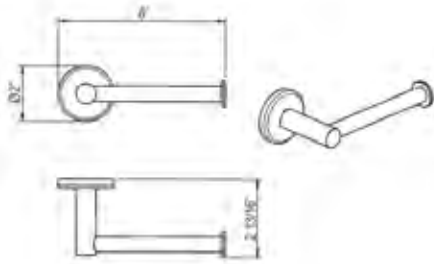
L01/24 Wall Mount 24" Single Towel Bar



Suggested Retail Price

APC	PN	STN	ULB
160	178	188	192

- Cannot be cut

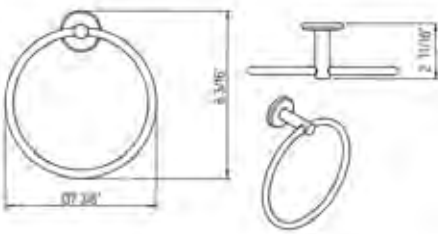


L08 Wall Mount Toilet Paper Holder



Suggested Retail Price

APC	PN	STN	ULB
100	110	115	117

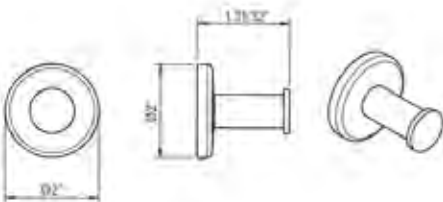


L04 Wall Mount Towel Ring



Suggested Retail Price

APC	PN	STN	ULB
106	127	138	140



L07 Wall Mount Single Robe Hook



Suggested Retail Price

APC	PN	STN	ULB
70	73	75	77

ACQUI

ARCANA

BELLIA

CAMPO

ECLISSI

GRACELINE

LOMBARDIA

MEDA

MISCELO

PALLADIAN

QUARTLIE



PRESSURE BALANCE SHOWER OPTION 1

Model	Description	Suggested Retail Price
		Polished Chrome
EC10W11W	Trim	398
B00102	Handshower	149
1650	Handshower Bar	331
33640	Outlet	90
16295	Hose	51
RCT-1	Rough	203
Total Package List Price With Roughs		1,222

Note: Sample configuration priced in Polished Chrome. Other configurations and finishes available. Complete your Shower experience by including one of our decorative drain options.



PRESSURE BALANCE SHOWER OPTION 2

Model	Description	Suggested Retail Price
		Polished Chrome
EC11W11W	Trim	498
W10196	Showerhead	235
1120/12	Shower Arm	70
B00102	Handshower	149
1650	Handshower Bar	331
33640	Outlet	90
16295	Hose	51
RDD-2	Rough	326
Total Package List Price With Roughs		1,750

Note: Sample configuration priced in Polished Chrome. Other configurations and finishes available. Complete your Shower experience by including one of our decorative drain options.



1/2" THERMOSTATIC SHOWER OPTION 1

Model	Description	Suggested Retail Price
		Polished Chrome
EC12W2IW	Trim	578
I00405	Showerhead	419
1120/12	Shower Arm	70
B00102	Handshower	149
1650	Handshower Bar	331
33640	Outlet	90
16295	Hose	51
R1055BD	Rough	524
Total Package List Price With Roughs		2,212
R1052BD	Rough (No Share)	449
Total Package List Price With Roughs		2,137

Note: Sample configuration priced in Polished Chrome. Other configurations and finishes available. Complete your Shower experience by including one of our decorative drain options.



1/2" THERMOSTATIC SHOWER OPTION 2

Model	Description	Suggested Retail Price
		Polished Chrome
EC12W2IW	Trim	578
I00405	Showerhead	419
1120/12	Shower Arm	70
SLM03	Ceiling Showerhead	704
1505/3	Ceiling Shower Arm	107
B00102	Handshower	149
1650	Handshower Bar	331
33640	Outlet	90
16295	Hose	51
R1055BD	Rough	524
Total Package List Price With Roughs		3,023
R1053BD	Rough (No Share)	524
Total Package List Price With Roughs		3,023

Note: Sample configuration priced in Polished Chrome. Other configurations and finishes available. Complete your Shower experience by including one of our decorative drain options.



1/2" THERMOSTATIC SHOWER OPTION 3

Suggested Retail Price

Model	Description	Polished Chrome
EC12W2IW	Trim	578
I00405	Showerhead	419
1120/12	Shower Arm	70
B00102	Handshower	149
CD8000	Handshower Bracket	149
16295	Hose	51
EC16W1	Tub Spout	218
R1055BD	Rough	524
Total Package List Price With Roughs		2,158
R1053BD	Rough (No Share)	524
Total Package List Price With Roughs		2,158

Note: Sample configuration priced in Polished Chrome. Other configurations and finishes available. Complete your Shower experience by including one of our decorative drain options.

3/4" THERMOSTATIC SHOWER OPTION 1

Suggested Retail Price

Model	Description	Polished Chrome
EC13W1IW	Trim	548
I00405	Showerhead	419
1120/12	Shower Arm	70
B00102	Handshower	149
1650	Handshower Bar	331
33640	Outlet	90
16295	Hose	51
EC18W2(x3)	Volume Controls (x3)	240
I00124 (x2)	Body Sprays (x2)	112
1005N	Rough	369
R1040R (x3)	Volume Control Rough (x3)	160
Total Package List Price With Roughs		3,451

Note: Sample configuration priced in Polished Chrome. Other configurations and finishes available. Complete your Shower experience by including one of our decorative drain options.

GRACELINE®

Authentically Crafted in the USA

Renowned designer Michael Berman created his American Moderne collection exclusively for ROHL®. In an exciting contrast to other ROHL® collections emphasizing European style, this collection celebrates a glamorous age in American culture. American Moderne is a transitional style combining modern elements with those from the era when transatlantic ocean liners and transcontinental train travel were in their heyday, and Hollywood was in its prime. The Graceline® Collection, reflects Berman's appreciation for streamlined design, featuring sleek lines and industrial details. Its name is inspired by the luxury ocean liners of the 20's and 30's, once considered the epitome of transatlantic travel. Graceline® — the perfect blend of glam with industrial marvel!



Handle Options



Metal Lever
LM



Dial Metal Handle
DM

Available Finishes:



Polished Chrome
APC



Polished Nickel
PN



Satin Nickel
STN



French Brass
FB



Gun Metal
GM



Matte Black
MB



Satin Brass
STB



Satin Gold
SG

See product page for available finishes

MB2019LMFB

ACQUI

ARCANA

BELLIA

CAMPO

ECLISSI

GRACELINE

LOMBARDIA

MEDA

MISCELO

PALLADIAN

QUARTLIE

SERIES HIGHLIGHTS

ACQUI

ARCANA

BELLIA

CAMPO

ECLISSI

GRACELINE

LOMBARDIA

MEDA

MISCELO

PALLADIAN

QUARTLIE

FAUCETS



MB2019
page 214



MB2009
page 214



MB2030
page 214

TUB FILLERS



MB2050
page 216



MB2033
page 219



MB2037
page 215



MB2045
page 219

SHOWER TRIMS



MB2043
page 216



MB2044N
page 217



MB2040
page 217



MB2090
page 220

PRESSURE BALANCE

1/2" THERMOSTATIC

3/4" THERMOSTATIC

SHOWER PACKAGES



page 221



page 221



page 222



page 222



page 223



page 223



LM



DM

OTHER CONSIDERATIONS

See product page for available finishes.



BI00701
page 337



MB0190
page 344



MB3334
page 338



I00625
page 338



MB3551
page 349



B01168
page 388



B0314
page 366



SDPVC2/3-3142
page 373



D19000/3
page 352



1266
page 360



C50000/1
page 370



L0095KIT2
page 350



MBG1/24
page 222



MBG8
page 222



MBG4
page 223



MBG7
page 223



SB2015
Shaws® Price Book



U.2512
Perrin & Rowe® Price Book



AMALFI 55
Victoria + Albert® Price Book



TOULOUSE
Victoria + Albert® Price Book

SHOWER

ACCESSORIES

BATH FIXTURES





ACQUI

ARCANA

BELLIA

CAMPO

ECLISSI

GRACELINE

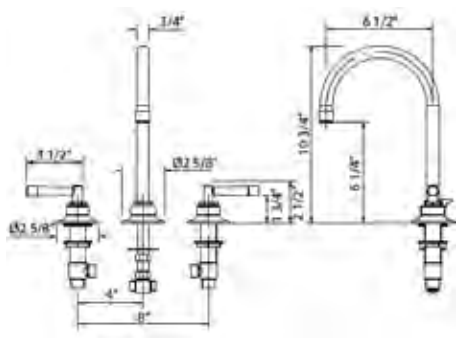
LOMBARDIA

MEDA

MISCELO

PALLADIAN

QUARTLIE



MB2019 Graceline® C-Spout Widespread Lavatory Faucet

Suggested Retail Price

Handle	APC	PN	STN	GM	STB
DM	852	938	1,065	1,210	1,210
LM	803	884	1,024	1,141	1,141

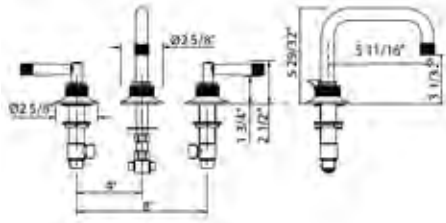


- 1.2 GPM
- Matching tub filler MB2050

MB2009 Graceline® U-Spout Widespread Lavatory Faucet

Suggested Retail Price

Handle	APC	PN	STN	GM	STB
DM	887	976	1,109	1,259	1,259
LM	803	884	1,004	1,141	1,141

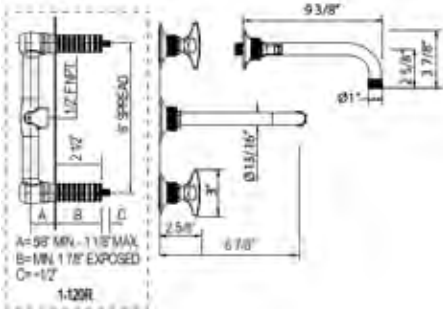


- 1.2 GPM

MB2030 Graceline® Wall Mount Widespread Lavatory Faucet

Suggested Retail Price

Handle	APC	PN	STN	GM	STB
DM	607	607	666	750	750
LM	542	550	636	680	680

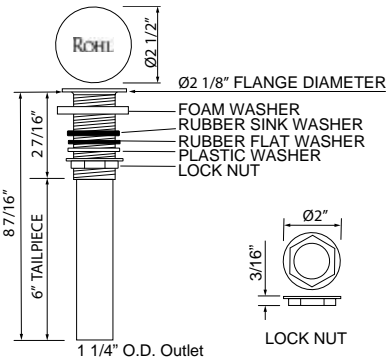


- Rough valve sold separately
 - Order 1-120R wall rough valve: \$345
- 1.2 GPM
- Matching tub filler MB2037DM
- Drain assembly not included with faucet. Must order drain to complete.

5445 Touch Seal Dome Drain With 6" Tailpiece for No-Overflow Sinks

Suggested Retail Price

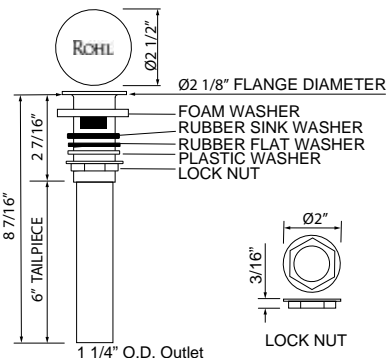
APC	PN	STN
277	277	277

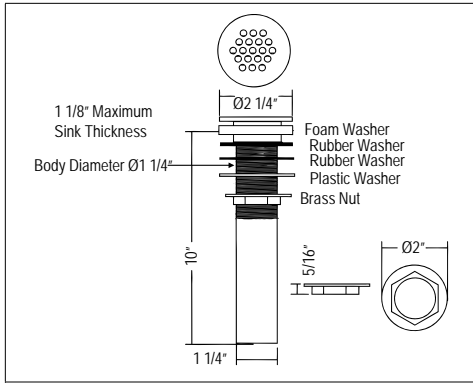


5447 Slotted Touch Seal Dome Drain With 6" Tailpiece for Overflow Sinks

Suggested Retail Price

APC	PN	STN	MB
277	277	277	277

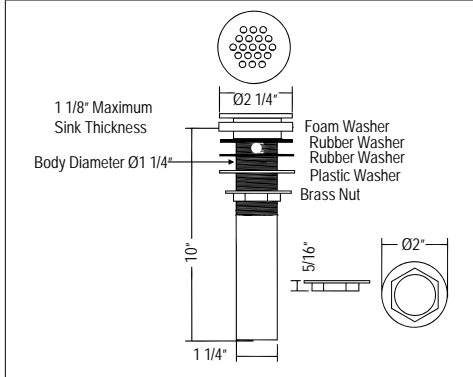




6442 Non Slotted Grid Drain for No-Overflow Sinks



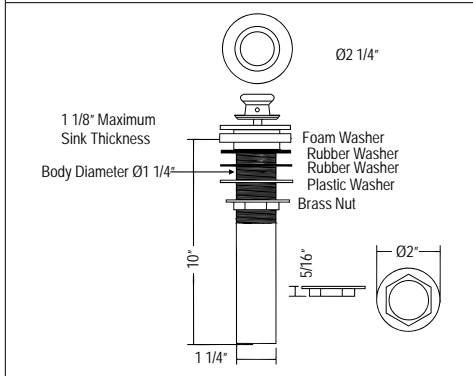
Suggested Retail Price					
APC	PN	STN	FB	GM	SG
249	249	249	729		649



7444 Grid Drain for Overflow Sinks



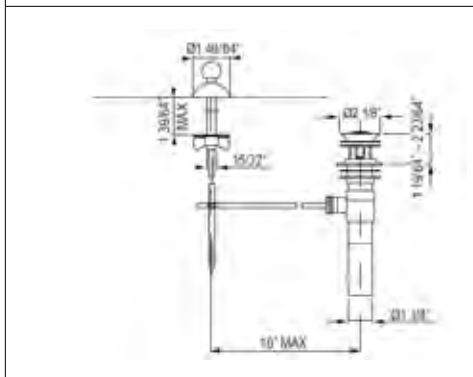
Suggested Retail Price					
APC	PN	STN	MB	GM	SG
249	249	249	249	500	



8446 Lift And Turn Drain for No-Overflow Sinks



Suggested Retail Price			
APC	PN	STN	GM
281	281	281	

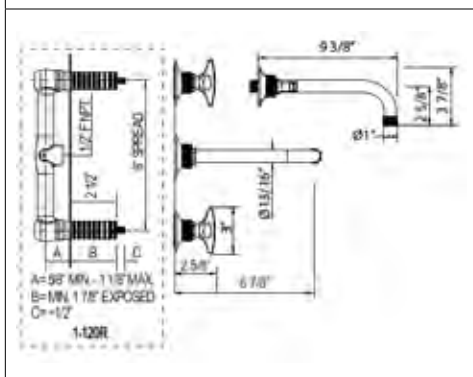


CNZREMOTE Remote Pop-Up Set



Suggested Retail Price			
APC	PN	STN	GM
198	198	310	

• Not for use with vessel bowls or bowls without overflow



MB2037 Graceline® 3-Hole Wall Mount Tub Filler



Suggested Retail Price						
Handle	APC	PN	STN	GM	STB	SG
DM	607	607	666	750	750	
LM	550	550	636	680	680	

- Rough valve sold separately
 - Order 1-120R wall rough valve: \$345
- 10-12 GPM at 60 PSI
- Matching lavatory faucet MB2030DM
- Drain assembly not included, must order drain to complete



ACQUI

ARCA NA

BELLIA

CAMPO

ECLISSI

GRACELINE

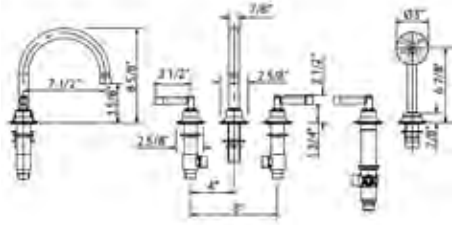
LOMBARDIA

MEDA

MISCELO

PALLADIAN

QUARTLIE



MB2050 Graceline® 5-Hole Deck Mount Tub Filler

Suggested Retail Price

Handle	APC	PN	STN	GM	STB
DM	2,217	2,439	2,772	3,148	3,148
LM	2,132	2,345	2,666	3,028	3,028



- 10-12 GPM at 60 PSI
- Matching lavatory faucet MB2019

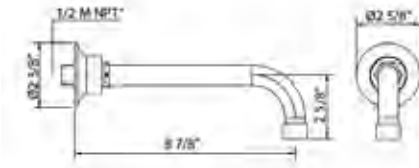
MB2045 Graceline® Wall Mount Tub Spout

Suggested Retail Price

APC	PN	STN	GM	STB
232	255	290	287	287



- 10-12 GPM at 60 PSI



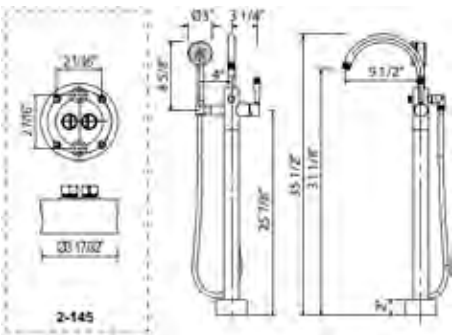
MB2033 Graceline® Floor Mount Tub Filler

Suggested Retail Price

Handle	APC	PN	STN	GM	STB
LM	2,911	2,911	3,963	4,503	4,503



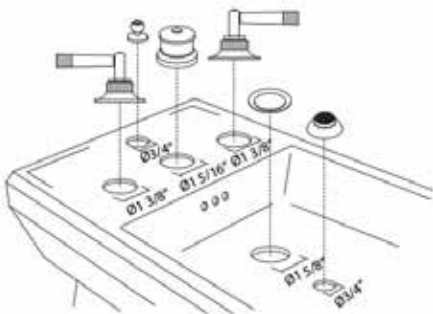
- Rough valve sold separately
— Order 2-145 floor rough valve: \$261
- Fast filling 8.5 GPM flow rate at 60 PSI
- Includes single-function handshower; 1.8 GPM flow rate at 60 PSI
- Remote thermostatic valve may be needed; Verify local code requirements



MB2047 Graceline® 5-Hole Bidet Faucet

Suggested Retail Price

Handle	APC	PN	STN	GM	STB
DM	1,981	2,344	2,402	2,667	2,667
LM	1,923	2,286	2,344	2,595	2,595



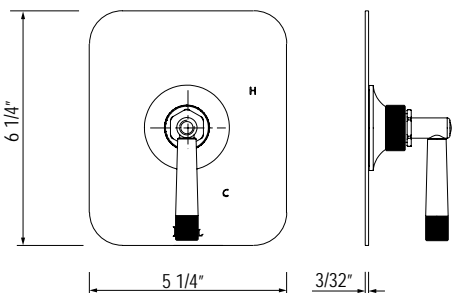
MB2043 Graceline® 1/2" Pressure Balance Trim Without Diverter

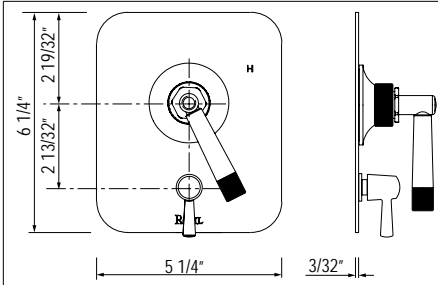
Suggested Retail Price

Handle	APC	PN	STN	GM	STB
DM	448	493	545	614	614
LM	424	468	516	582	582



- Rough valve sold separately
— Order RCT-1 1/2" pressure balance rough valve: \$203





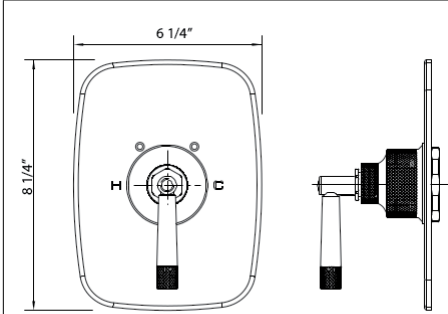
MB2044N Graceline® 1/2" Pressure Balance Trim With Diverter



Suggested Retail Price

Handle	APC	PN	STN	MB	FB	GM	SG	STB
DM	520	564	640	656	701	700	1,045	700
LM	496	539	611	626	669	668	994	668

- Rough valve sold separately
— Order 1005N 3/4" thermostatic rough valve: \$369



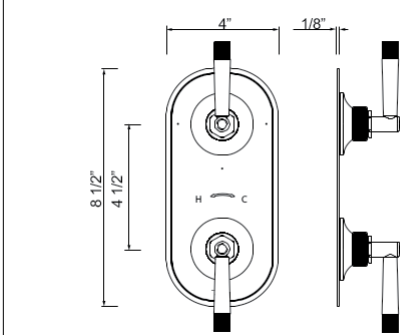
MB2040 Graceline® 3/4" Thermostatic Trim Without Volume Control



Suggested Retail Price

Handle	APC	PN	STN	MB	FB	GM	SG	STB
DM	912	1,004	1,141	1,187	1,296	1,296	2,163	1,296
LM	855	941	1,069	1,112	1,214	1,214	1,875	1,214

- Rough valve sold separately
— Order 1005N 3/4" thermostatic rough valve: \$369



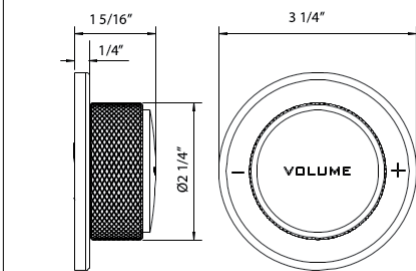
MB2090 Graceline® 1/2" Thermostatic Trim with Diverter



Suggested Retail Price

Handle	APC	PN	STN	MB	FB	GM	SG	STB
LM	750	810	912	942	1,012	1,024	1,650	1,024

- Rough valve sold separately
— Order R1051BV 1/2" thermostatic 1 function rough valve: \$448
— Order R1052BD 1/2" thermostatic 2 function rough valve: \$449
— Order R1053BD 1/2" thermostatic 3 function rough valve: \$524
— Order R1055BD 1/2" thermostatic 5 function rough valve: \$524



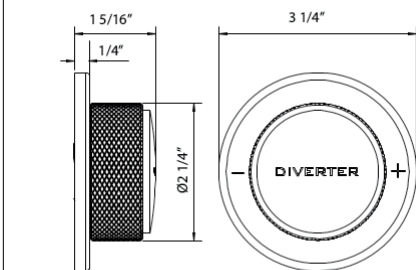
MB2051 Graceline® 3/4" Volume Control Trim



Suggested Retail Price

APC	PN	STN	MB	FB	GM	SG	STB
388	427	485	446	551	479	866	479

- Rough valve sold separately
— Order R1040R 3/4" volume control rough valve: \$160



MB2042 Graceline® 4-Port 3 Way Diverter Trim



Suggested Retail Price

APC	PN	STN	MB	FB	GM	SG	STB
388	427	485	446	551	479	866	479

- Rough valve sold separately
— Order R1062BO 4-port, 3-way dedicated diverter rough valve: \$319

ACQUI

ARCANA

BELLIA

CAMPO

ECLISSI

GRACELINE

LOMBARDIA

MEDA

MISCELO

PALLADIAN

QUARTLIE



ACQUI

ARCANA

BELLIA

CAMPO

ECLISSI

GRACELINE

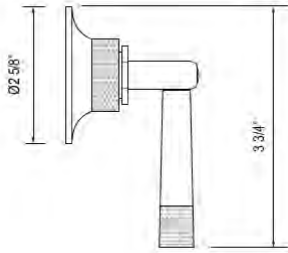
LOMBARDIA

MEDA

MISCELO

PALLADIAN

QUARTLIE



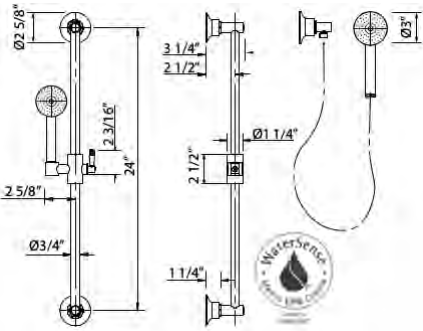
MB2048 Graceline® Trim For Volume Control And 4-Port Dedicated Diverter



Suggested Retail Price

Handle	APC	PN	STN	MB	FB	GM	SG	STB
LM	290	320	363	378	413	413	634	413

- Rough valve sold separately
 - Order R1040R 3/4" volume control rough valve: \$160
 - Order R1062BO 4-port, 3-way dedicated diverter rough valve: \$319



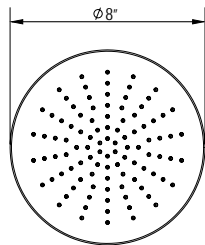
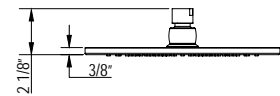
MB2046 Graceline® Single-Function Handshower Set



Suggested Retail Price

APC	PN	STN	MB	FB	GM	SG	STB
982	1,081	1,228	1,277	1,395	1,212	2,221	1,395

- Kit includes:
 - Slide bar
 - Single-function handshower
 - 59" Flexible metal hose
 - Wall outlet
- Flow rate 1.8 GPM



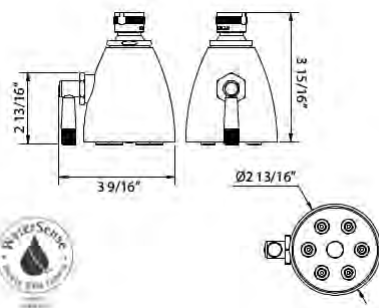
MB3334 8" Graceline® Circular Rain Showerhead



Suggested Retail Price

MB	FB	GM	SG	STB
864	864	934	1,643	934

- Flow rate 1.8 GPM



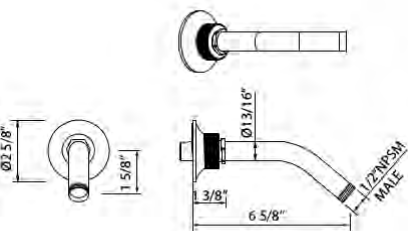
MB0190 3" Graceline® 6-Jet Adjustable Showerhead



Suggested Retail Price

APC	PN	STN	MB	FB	GM	SG	STB
319	351	398	415	453	393	838	453

- Flow rate 1.8 GPM

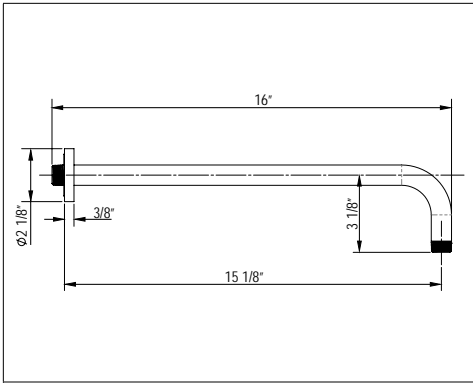


MB2010 Graceline® 6 5/8" Wall Mount Shower Arm



Suggested Retail Price

APC	PN	STN	MB	FB	GM	SG	STB
139	153	174	181	198	173	255	198

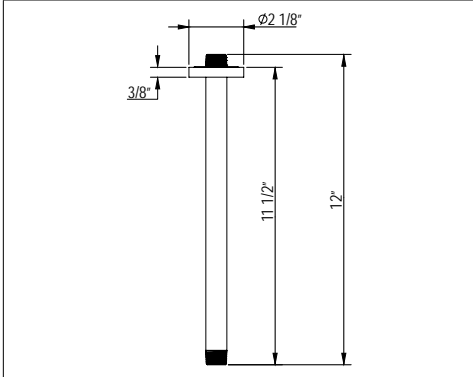


MB3549 Graceline® 16" Wall Mount Shower Arm



Suggested Retail Price

MB	FB	GM	SG	STB
481	347	640	668	640



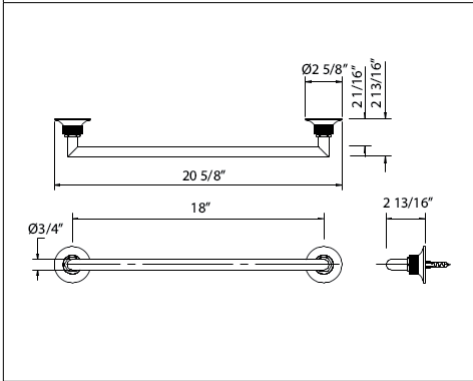
MB3551 Graceline® 12" Ceiling Mount Shower Arm



Suggested Retail Price

MB	FB	GM	SG	STB
470	225	640	443	640

• Length cannot be cut down



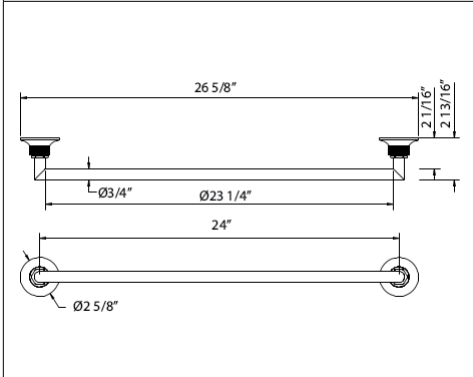
MBG1/18 Graceline® Wall Mount 18" Single Towel Bar



Suggested Retail Price

APC	PN	STN	MB	FB	GM	SG	STB
549	549	577	577	577	678	1,010	678

• Length cannot be cut to size



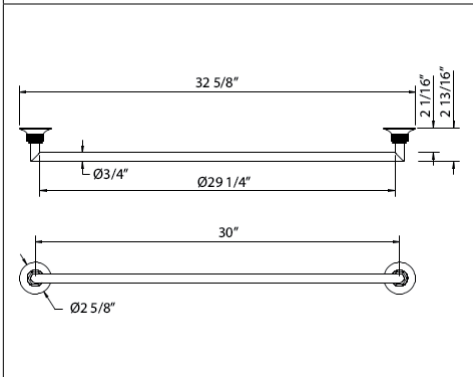
MBG1/24 Graceline® Wall Mount 24" Single Towel Bar



Suggested Retail Price

APC	PN	STN	MB	FB	GM	SG	STB
577	577	606	606	606	713	1,068	713

• Length cannot be cut to size



MBG1/30 Graceline® Wall Mount 30" Single Towel Bar



Suggested Retail Price

APC	PN	STN	MB	FB	GM	SG	STB
634	634	663	663	663	785	1,126	785

• Length cannot be cut to size



ACQUI

ARCANA

BELLIA

CAMPO

ECLISSI

GRACELINE

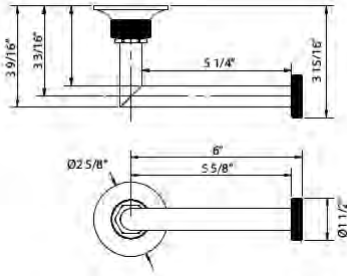
LOMBARDIA

MEDA

MISCELO

PALLADIAN

QUARTLIE

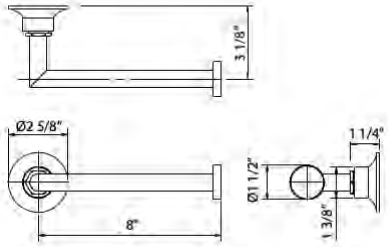
**MBG8** Graceline® Wall Mount Single Toilet Paper Holder

Suggested Retail Price

APC	PN	STN	MB	FB	GM	SG	STB
325	325	346	325	346	400	577	400

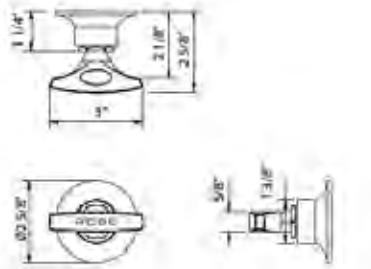


- Accommodates oversized toilet paper rolls

**MBG4** Graceline® Wall Mount Towel Holder

Suggested Retail Price

APC	PN	STN	MB	FB	GM	SG	STB
549	549	577	577	577	678	1,029	678

**MBG7** Graceline® Wall Mount Single Robe Hook

Suggested Retail Price

APC	PN	STN	MB	FB	GM	SG	STB
417	417	452	452	452	514	722	514





PRESSURE BALANCE SHOWER OPTION 1

Model	Description	Suggested Retail Price
		Polished Chrome
MB2043	Trim	424
I00405	Showerhead	419
1120/12	Shower Arm	70
RCT-1	Rough	203
Total Package List Price With Roughs		1,116

Note: Sample configuration priced in Polished Chrome. Other configurations and finishes available. Complete your Shower experience by including one of our decorative drain options.



PRESSURE BALANCE SHOWER OPTION 2

Model	Description	Suggested Retail Price
		Polished Chrome
MB2044	Trim	496
I00405	Showerhead	419
1120/12	Shower Arm	70
MB2046	Handshower Set	982
RDD-2	Rough	326
Total Package List Price With Roughs		2,293

Note: Sample configuration priced in Polished Chrome. Other configurations and finishes available. Complete your Shower experience by including one of our decorative drain options.

ACQUI

ARCANA

BELLIA

CAMPO

ECLISSI

GRACELINE

LOMBARDIA

MEDA

MISCELO

PALLADIAN

QUARTLIE



ACQUI

ARCANA

BELLIA

CAMPO

ECLISSI

GRACELINE

LOMBARDIA

MEDA

MISCELO

PALLADIAN

QUARTLIE

**1/2" THERMOSTATIC SHOWER OPTION 1****Suggested Retail Price**

Model	Description	Polished Chrome
MB2090	Trim	750
I00405	Showerhead	419
1120/12	Shower Arm	70
MB2046	Handshower Set	982

R1055BD	Rough	524
---------	-------	-----

Total Package List Price With Roughs	2,745
---	--------------

R1052BD	Rough (No Share)	449
---------	------------------	-----

Total Package List Price With Roughs	2,670
---	--------------

Note: Sample configuration priced in Polished Chrome. Other configurations and finishes available. Complete your Shower experience by including one of our decorative drain options.

1/2" THERMOSTATIC SHOWER OPTION 2**Suggested Retail Price**

Model	Description	Polished Chrome
MB2090	Trim	750
MB0190	Showerhead	319
MB2010	Shower Arm	139
I00410	Ceiling Showerhead	559
1505/3	Ceiling Shower Arm	107
MB2046	Handshower Set	982

R1055BD	Rough	524
---------	-------	-----

Total Package List Price With Roughs	3,380
---	--------------

R1053BD	Rough (No Share)	524
---------	------------------	-----

Total Package List Price With Roughs	3,380
---	--------------

Note: Sample configuration priced in Polished Chrome. Other configurations and finishes available. Complete your Shower experience by including one of our decorative drain options.



1/2" THERMOSTATIC SHOWER OPTION 3

Model	Description	Suggested Retail Price
		Polished Chrome
MB2090	Trim	750
I00405	Showerhead	419
1120/12	Shower Arm	70
MB2046	Handshower Set	982
MB2045	Tub Spout	232
R1055BD	Rough	524
Total Package List Price With Roughs		2,977
R1053BD	Rough (No Share)	524
Total Package List Price With Roughs		2,977

Note: Sample configuration priced in Polished Chrome. Other configurations and finishes available. Complete your Shower experience by including one of our decorative drain options.

3/4" THERMOSTATIC SHOWER OPTION 1



Model	Description	Suggested Retail Price
		Polished Chrome
MB2040N	Trim	855
I00405	Showerhead	419
1120/12	Shower Arm	70
MB2046	Handshower Set	982
MB2051 (x3)	Volume Controls (x3)	388
1095/8 (x2)	Body Sprays (x2)	355
1005N	Rough	369
R1040R (x3)	Volume Control Rough (x3)	160
Total Package List Price With Roughs		5,049

Note: Sample configuration priced in Polished Chrome. Other configurations and finishes available. Complete your Shower experience by including one of our decorative drain options.

ACQUI

ARCANA

BELLIA

CAMPO

ECLISSI

GRACELINE

LOMBARDIA

MEDA

MISCELO

PALLADIAN

QUARTLIE

LOMBARDIA®

Authentically Crafted in Italy

A modern and artistic interpretation of the Northern Italian Alps, the Lombardia® Collection is named for Italy's Lombardy region whose cities have been style centers since the Renaissance. The region's culture, with artists or influencers like Leonardo da Vinci and Mantegna, and works of art were highly regarded. The look is contemporary yet warm. The Italian-made collection features rounded, simple shapes with no extraneous ornamentation for a softer take on contemporary.



Handle Options



*Metal Lever
LM*



*Cross Handle
XM*

Available Finishes:



*Polished Chrome
APC*



*Polished Nickel
PN*



*Tuscan Brass®
TCB*



*Satin Nickel
STN*



*Unlacquered Brass
ULB*



*Matte Black
MB*

See product page for available finishes

A2228LMAPC

ACQUI

ARCANA

BELLIA

CAMPO

ECLISSI

GRACELINE

LOMBARDIA

MEDA

MISCELO

PALLADIAN

QUARTLIE

SERIES HIGHLIGHTS

ACQUI

ARCANA

BELLIA

CAMPO

ECLISSI

GRACELINE

LOMBARDIA

MEDA

MISCELO

PALLADIAN

QUARTLIE

FAUCETS



A1208
page 228



A2228
page 228



A2218
page 229



A2207
page 229

TUB FILLERS



A1264
page 228



AKIT2202N
page 231



A2202
page 231



M2287
page 231

SHOWER TRIMS



A2210
page 232



A3210N
page 232



A4214
page 232



A4264
page 233

PRESSURE BALANCE

1/2" THERMOSTATIC

3/4" THERMOSTATIC

SHOWER PACKAGES



page 236



page 236



page 237



page 237



page 238



page 238



OTHER CONSIDERATIONS

See product page for available finishes.



NEW I00405
page 373



NEW I00598
page 375



I00625
page 338



I00218
page 378



1505/24
page 385



SOF136
page 389



B00188
page 388



SDPVC2/3-3142
page 373



1265
page 397



1650
page 392



E37005
page



L0095KIT1
page 390



L01/24
page 233



L08
page 234



L04
page 233



L07
page 234



SB2015
Shaws® Price Book



U.2518
Perrin & Rowe® Price Book



BARCELONA 55
Victoria + Albert® Price Book



BARCELONA 2
Victoria + Albert® Price Book



APC



PN



STN



TCB



ULB



MB

ROHL BATH

SHOWER

ACCESSORIES

BATH FIXTURES

ACQUI

ARCANA

BELLIA

CAMPO

ECLISSI

GRACELINE

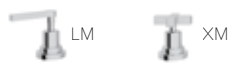
LOMBARDIA

MEDA

MISCELO

PALLADIAN

QUARTLE



ACQUI

ARCANA

BELLIA

CAMPO

ECLISSI

GRACELINE

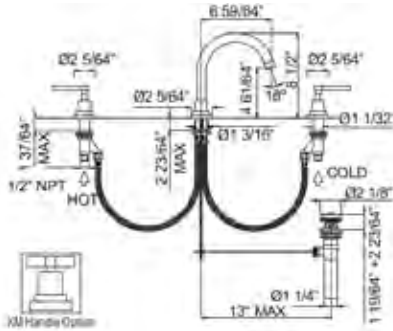
LOMBARDIA

MEDA

MISCELO

PALLADIAN

QUARTLIE



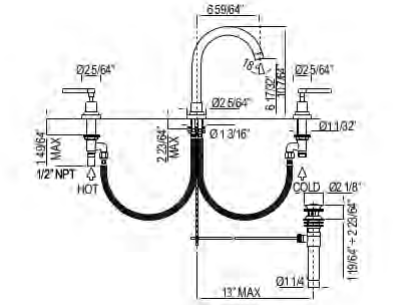
A2228 Lombardia® C-Spout Widespread Lavatory Faucet



- Matching tub filler A2214
- 1.2 GPM

Suggested Retail Price

Handle	APC	PN	STN
LM	769	846	1,089
XM	769	846	1,089



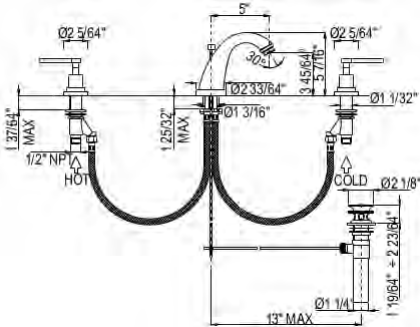
A2208 Lombardia® C-Spout Widespread Lavatory Faucet



- Matching tub filler A2214
- 1.2 GPM

Suggested Retail Price

Handle	APC	PN	STN
LM	769	846	1,089
XM	769	846	1,089



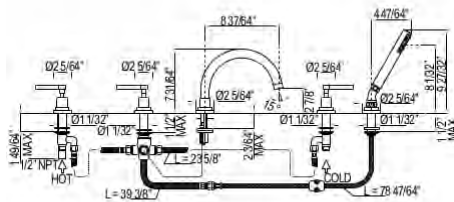
A1208 Lombardia® C-Spout Widespread Lavatory Faucet



- Matching tub filler A1264
- 1.2 GPM

Suggested Retail Price

Handle	APC	PN	STN
LM	622	684	810
XM	622	684	810



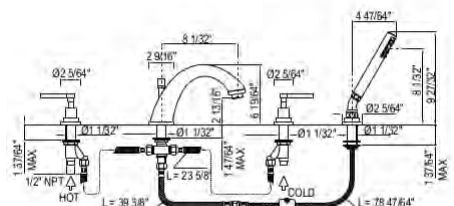
A2214 Lombardia® 5-Hole Deck Mount Tub Filler With C-Spout



- Matching lav sets A2208 and A2228
- 4 GPM at 60 PSI

Suggested Retail Price

Handle	APC	PN	STN
LM	2,008	2,209	2,691
XM	2,008	2,209	2,691



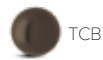
A1264 Lombardia® 4-Hole Deck Mount C-Spout Tub Filler With Handshower



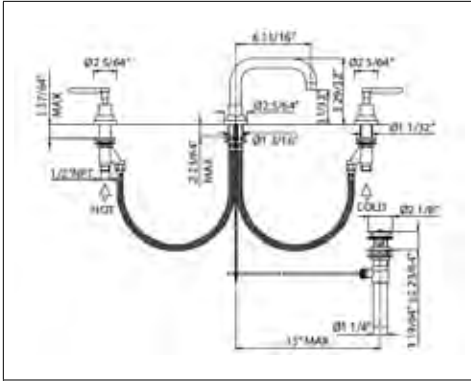
- Matching lav set A1208
- 6 GPM at 60 PSI

Suggested Retail Price

Handle	APC	PN	STN
LM	1,576	1,734	2,050
XM	1,576	1,734	2,050



ACQUI



A2218 Lombardia® U-Spout Widespread Lavatory Faucet

Suggested Retail Price

Handle	APC	PN	STN	ULB
LM	773	850	1,094	1,097
XM	773	850	1,094	1,097



- Matching tub filler A2224
- 1.2 GPM

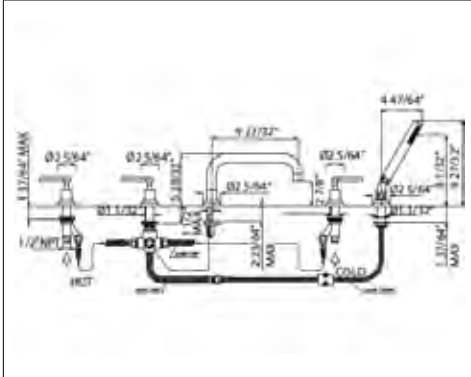
ARCANA

BELLIA

A2224 Lombardia® 5-Hole Deck Mount Tub Filler With U-Spout

Suggested Retail Price

Handle	APC	PN	STN	ULB
LM	1,923	2,116	2,577	2,731
XM	1,923	2,116	2,577	2,731



- Matching lav set A2218
- 4 GPM at 60 PSI

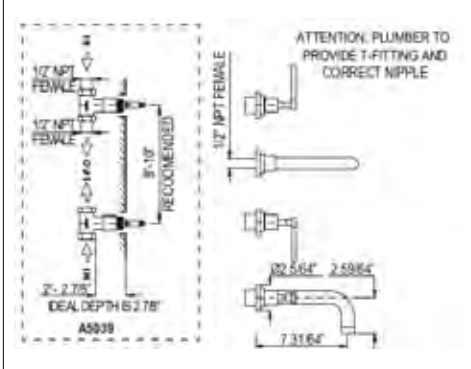
CAMPO

ECLISSI

A2207 Lombardia® Wall Mount Widespread Lavatory Faucet

Suggested Retail Price

Handle	APC	PN	STN
LM	635	635	1,025
XM	635	635	1,025



- Rough valve sold separately
 - Order A5039L lever wall rough valve: \$185
 - Order A5039X cross wall rough valve: \$185
- 1.2 GPM aerator
- Drain assembly not included with faucet. Must order drain to complete.
- 5/16" extension piece is C5590, must order two pieces to extend both hot and cold valves: \$64

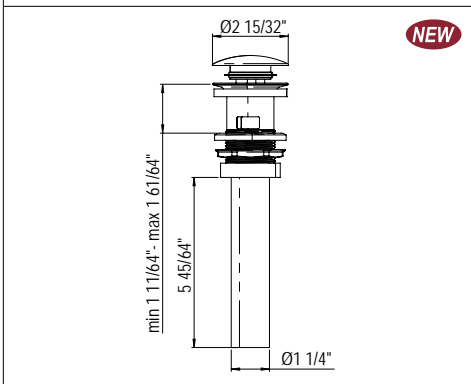
GRACELINE

LOMBARDIA

CC2310FWO Touch Seal Dome Drain for Overflow and No-Overflow Sinks

Suggested Retail Price

APC	STN	MB	SG
128	160	166	182



- Summer 2020

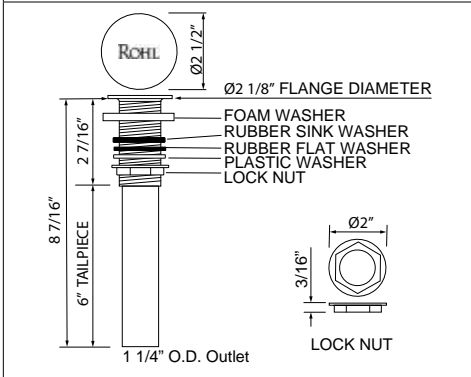
MEDA

MISCELO

5445 Touch Seal Dome Drain With 6" Tailpiece for No-Overflow Sinks

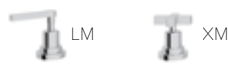
Suggested Retail Price

APC	PN	STN	ULB
277	277	277	277



PALLADIAN

QUARTLIE



ACQUI

ARCANA

BELLIA

CAMPO

ECLISSI

GRACELINE

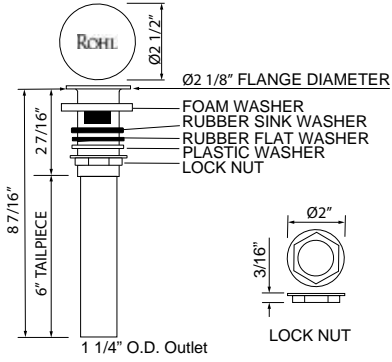
LOMBARDIA

MEDA

MISCELO

PALLADIAN

QUARTLIE

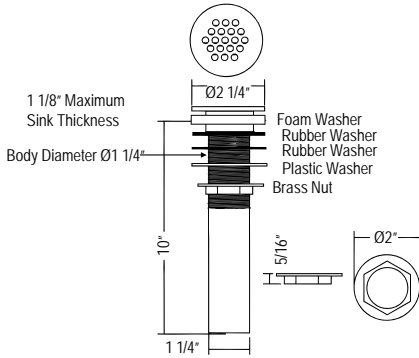


5447 Slotted Touch Seal Dome Drain With 6" Tailpiece for Overflow Sinks



Suggested Retail Price

APC	PN	STN	MB	ULB
277	277	277	277	277

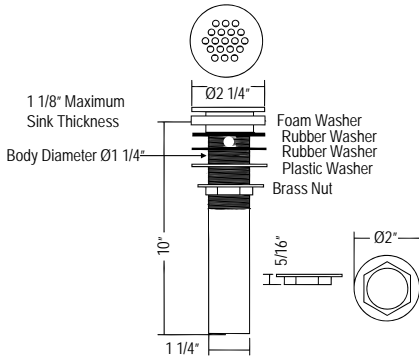


6442 Non Slotted Grid Drain for No-Overflow Sinks



Suggested Retail Price

APC	PN	STN	ULB
249	249	249	249

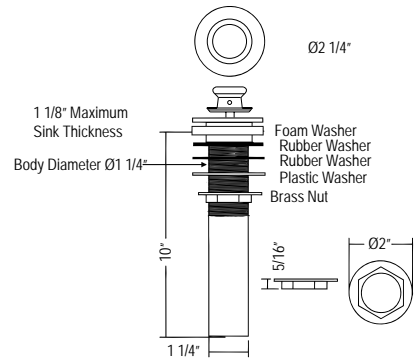


7444 Grid Drain for Overflow Sinks



Suggested Retail Price

APC	PN	STN	MB	ULB
249	249	249	249	249

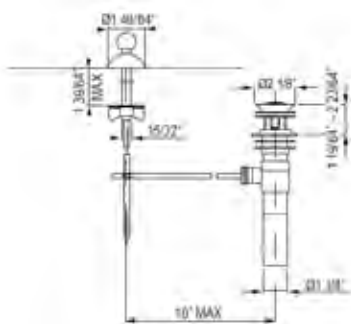


8446 Lift And Turn Drain for No-Overflow Sinks



Suggested Retail Price

APC	PN	STN	ULB
281	281	281	281



CNZREMOTE Remote Pop-Up Set



Suggested Retail Price

APC	PN	STN	ULB
198	198	310	310

- Not for use with vessel bowls or bowls without overflow



APC



PN



STN



TCB

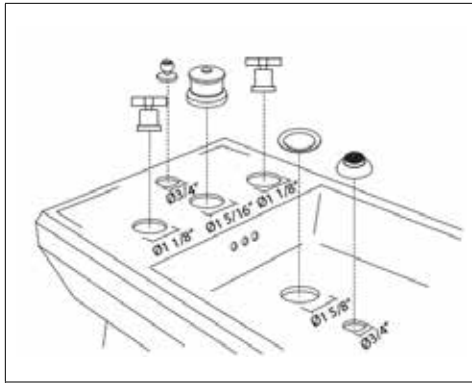


ULB



MB

ACQUI

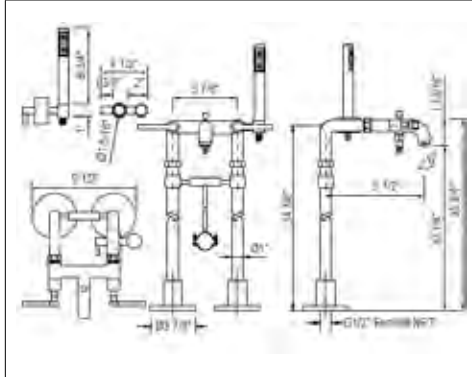
**A2260** Lombardia® 5-Hole Bidet Faucet**Suggested Retail Price**

Handle	APC	PN	STN
LM	1,911	2,342	2,504
XM	1,911	2,342	2,504



ARCANA

BELLIA

**AKIT2202N** Lombardia® Exposed Floor Mount Tub Filler With Handshower And Floor Pillar Legs Or Supply Unions**Suggested Retail Price**

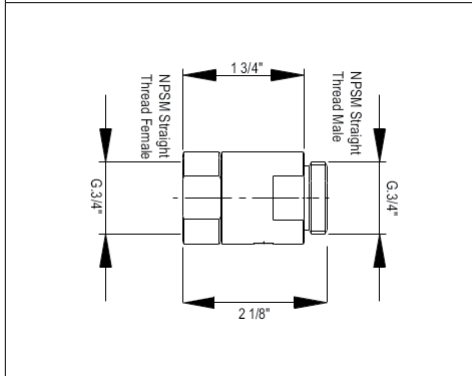
Handle	APC	PN	STN
LM	2,438	2,556	3,304
XM	2,438	2,682	3,304



- 6.6 GPM at 60 PSI
- Floor legs cannot be cut down
- Kit includes:
 - ZA386 floor legs
 - A2202N
- 2" straight union extensions available, order part # C7205EXT+FINISH for a set of two.

CAMPO

ECLISSI

**ZA1038402** Decorative Shut-Off Valve For Floor Legs**Suggested Retail Price**

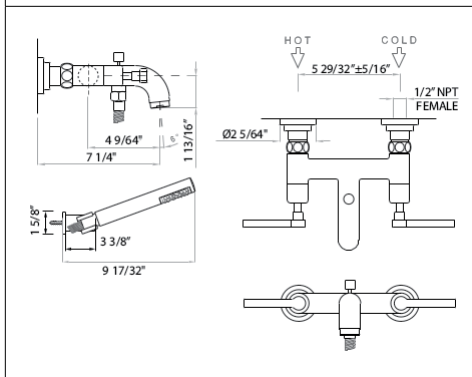
	APC	PN	STN
	199	209	255



- Fits ZA386 floor pillar legs
- Order two for a set

GRACELINE

LOMBARDIA

**A2202** Lombardia® Wall Mount Exposed Tub Set With Handshower**Suggested Retail Price**

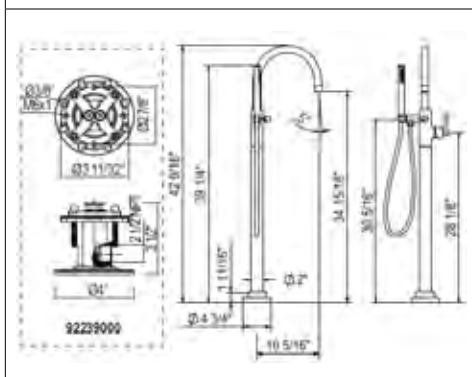
Handle	APC	PN	STN
LM	1,254	1,380	1,630
XM	1,254	1,380	1,630



- Wall mount only. Cannot be installed with iron tub unions or deck unions.
- 6.6 GPM at 60 PSI
- 2" straight union extensions available, order part # C7205EXT+FINISH for a set of two

MEDA

MISCELO

**M2287** Lombardia® Single Leg Floor Mount Tub Filler**Suggested Retail Price**

Handle	APC	PN	STN
LM	1,831	2,012	2,656



- Rough valve sold separately
 - Order R922390000 floor rough valve: \$547
- 8.2 GPM flow rate at 60 PSI for tub filler
- Remote thermostatic valve may be needed; verify local code requirements

PALLADIAN

QUARTLIE



ACQUI

ARCANA

BELLIA

CAMPO

ECLISSI

GRACELINE

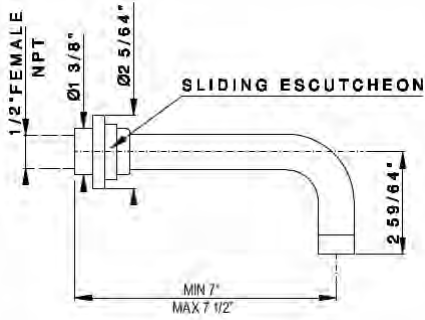
LOMBARDIA

MEDA

MISCELO

PALLADIAN

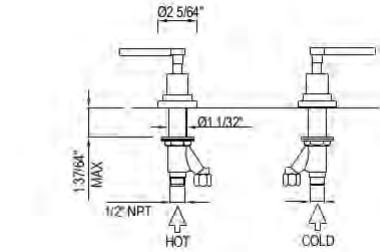
QUARTLIE



A2203 Lombardia® Wall Mount Tub Spout

Suggested Retail Price

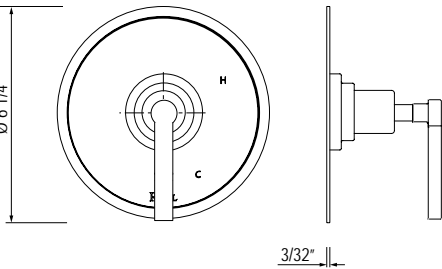
APC	PN	STN	ULB
276	303	367	392



A2211 Lombardia® Set Of Hot & Cold 1/2" Sidevalves

Suggested Retail Price

Handle	APC	PN	STN
LM	681	749	911
XM	681	749	911



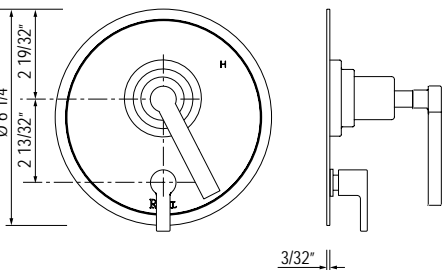
A2210 Lombardia® 1/2" Pressure Balance Trim Without Diverter

Suggested Retail Price

Handle	APC	PN	STN
LM	472	515	614
XM	472	515	614



- Rough valve sold separately
— Order RCT-1 1/2" pressure balance rough valve: \$203



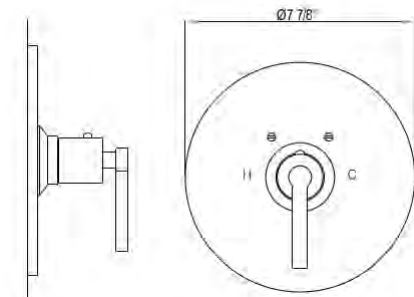
A3210N Lombardia® 1/2" Pressure Balance Trim With Diverter

Suggested Retail Price

Handle	APC	PN	STN
LM	544	587	692
XM	544	587	692



- Rough valve sold separately
— Order RDD-2 1/2" pressure balance rough valve: \$326



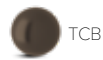
A4214 Lombardia® 3/4" Thermostatic Trim Without Volume Control

Suggested Retail Price

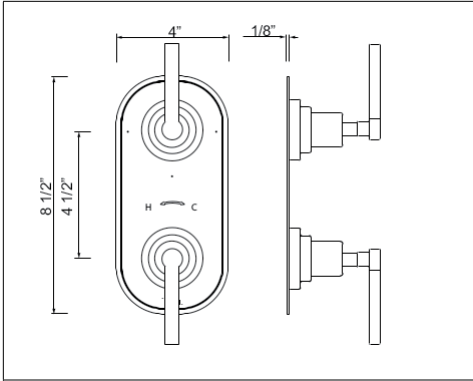
Handle	APC	PN	STN	ULB
LM	563	620	746	799
XM	563	620	746	799



- Rough valve sold separately
— Order 1005N 3/4" thermostatic rough valve: \$369



ACQUI



A4264 Lombardia® 1/2" Thermostatic Trim with Diverter



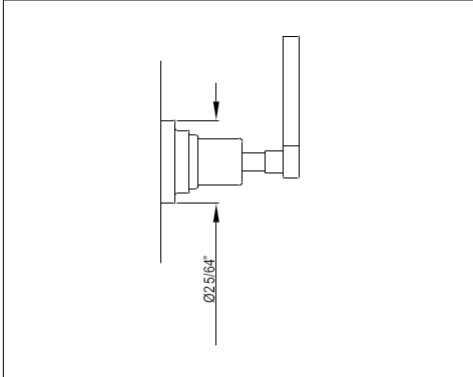
Suggested Retail Price

Handle	APC	PN	STN	ULB
LM	818	882	1,050	1,108
XM	818	882	1,050	1,108

- Rough valve sold separately
 - Order R1051BV 1/2" thermostatic 1 function rough valve: \$448
 - Order R1052BD 1/2" thermostatic 2 function rough valve: \$449
 - Order R1053BD 1/2" thermostatic 3 function rough valve: \$524
 - Order R1055BD 1/2" thermostatic 5 function rough valve: \$524

ARCANA

BELLIA



A4212 Lombardia® Trim For Volume Control And 4-Port Dedicated Diverter



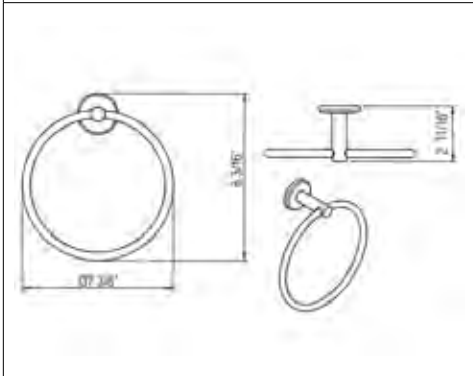
Suggested Retail Price

Handle	APC	PN	STN	ULB
LM	324	356	432	461
XM	324	356	432	461

- Rough valve sold separately
 - Order R1040R 3/4" volume control rough valve: \$160
 - Order R1062BO 4-port, 3-way dedicated diverter rough valve: \$319

CAMPO

ECLISSI



LO4 Lombardia® Wall Mount Towel Ring

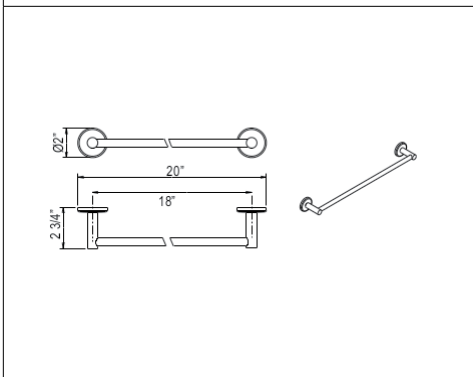


Suggested Retail Price

APC	PN	STN	ULB
106	127	138	140

GRACELINE

LOMBARDIA



LO1/18 Lombardia® Wall Mount 18" Single Towel Bar

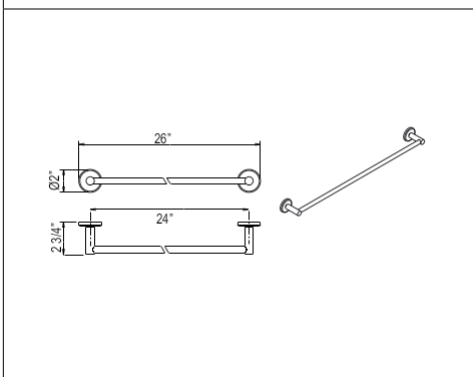


Suggested Retail Price

APC	PN	STN	ULB
153	172	180	182

- Cannot be cut

MEDA



LO1/24 Lombardia® Wall Mount 24" Single Towel Bar



Suggested Retail Price

APC	PN	STN	ULB
160	178	188	192

- Cannot be cut

MISCELO

PALLADIAN

QUARTLIE

ACQUI

ARCANA

BELLIA

CAMPO

ECLISSI

GRACELINE

LOMBARDIA

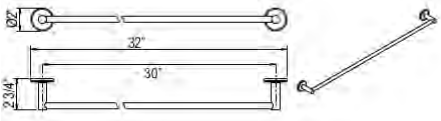
MEDA

MISCELO

PALLADIAN

QUARTLIE

LO1/30 Lombardia® Wall Mount 30" Single Towel Bar

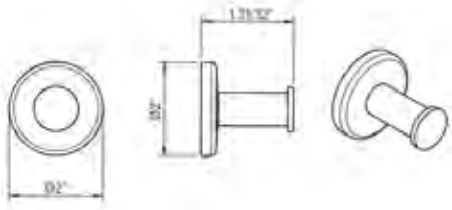


• Cannot be cut

Suggested Retail Price

APC	PN	STN	ULB
169	185	196	198

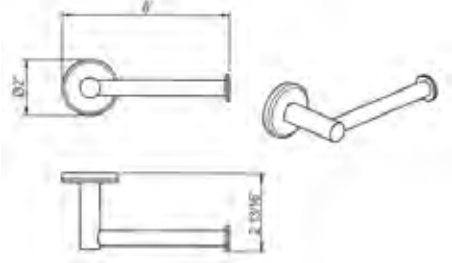
LO7 Lombardia® Wall Mount Single Robe Hook



Suggested Retail Price

APC	PN	STN	ULB
70	73	75	77

LO8 Lombardia® Wall Mount Toilet Paper Holder



Suggested Retail Price

APC	PN	STN	ULB
100	110	115	117

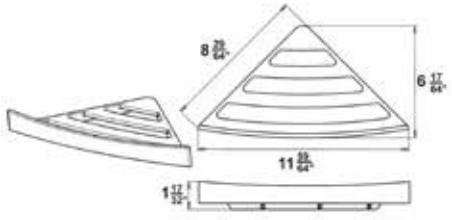
SY300 Lombardia® Wall Mount 24" Hotel Style Towel Shelf



Suggested Retail Price

APC	PN	STN
1,308	1,392	1,823

VIN17 Vincent™ Wall Mount Corner Basket



Suggested Retail Price

APC	PN	STN
199	292	303



APC



PN



STN



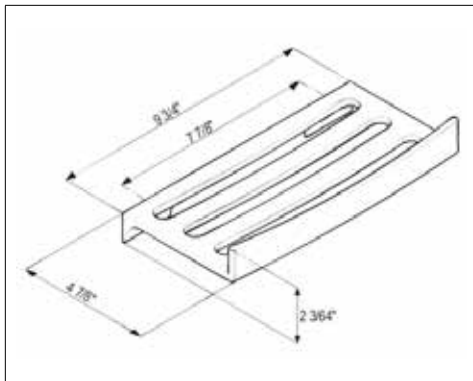
TCB



ULB

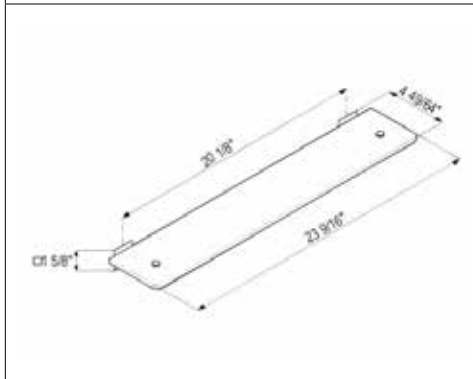


MB

**VIN42** Vincent™ Wall Mount Sponge Holder

Suggested Retail Price

APC	PN	STN
254	325	337

**VIN12** Vincent™ Wall Mount Glass Vanity Shelf

Suggested Retail Price

APC	PN	STN
255	287	304

ACQUI

ARCANA

BELLIA

CAMPO

ECLISSI

GRACELINE

LOMBARDIA

MEDA

MISCELO

PALLADIAN

QUARTLIE



LM



XM

ACQUI

ARCANA

BELLIA

CAMPO

ECLISSI

GRACELINE

LOMBARDIA

MEDA

MISCELO

PALLADIAN

QUARTLIE

**PRESSURE BALANCE SHOWER OPTION 1****Suggested Retail Price**

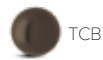
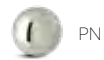
Model	Description	Polished Chrome
A2210	Trim	472
SOF136	Handshower	114
1650	Handshower Bar	331
33640	Outlet	90
16295	Hose	51
RCT-1	Rough	203
Total Package List Price With Roughs		1,261

Note: Sample configuration priced in Polished Chrome. Other configurations and finishes available. Complete your Shower experience by including one of our decorative drain options.

**PRESSURE BALANCE SHOWER OPTION 2****Suggested Retail Price**

Model	Description	Polished Chrome
A3210	Trim	544
WI0196	Showerhead	235
1120/12	Shower Arm	70
SOF136	Handshower	114
1650	Handshower Bar	331
33640	Outlet	90
16295	Hose	51
RDD-2	Rough	326
Total Package List Price With Roughs		1,761

Note: Sample configuration priced in Polished Chrome. Other configurations and finishes available. Complete your Shower experience by including one of our decorative drain options.



ACQUI

ARCANA

BELLIA

CAMPO

ECLISSI

GRACELINE

LOMBARDIA

MEDA

MISCELO

PALLADIAN

QUARTLIE

**1/2" THERMOSTATIC SHOWER OPTION 1**

Model	Description	Suggested Retail Price
		Polished Chrome
A4264	Trim	818
I00405	Showerhead	419
1120/12	Shower Arm	70
SOF136	Handshower	114
1650	Handshower Bar	331
33640	Outlet	90
16295	Hose	51
Total Package List Price With Roughs		2,417
R1055BD	Rough	524
Total Package List Price With Roughs		2,342

Note: Sample configuration priced in Polished Chrome. Other configurations and finishes available. Complete your Shower experience by including one of our decorative drain options.

**1/2" THERMOSTATIC SHOWER OPTION 2**

Model	Description	Suggested Retail Price
		Polished Chrome
A4264	Trim	818
I00405	Showerhead	419
1120/12	Shower Arm	70
SLM03	Ceiling Showerhead	704
1505/3	Ceiling Shower Arm	107
SOF136	Handshower	114
1650	Handshower Bar	331
33640	Outlet	90
16295	Hose	51
Total Package List Price With Roughs		3,228
R1055BD	Rough	524
Total Package List Price With Roughs		3,228

Note: Sample configuration priced in Polished Chrome. Other configurations and finishes available. Complete your Shower experience by including one of our decorative drain options.



ACQUI

ARCANA

BELLIA

CAMPO

ECLISSI

GRACELINE

LOMBARDIA

MEDA

MISCELO

PALLADIAN

QUARTLIE

**1/2" THERMOSTATIC SHOWER OPTION 3****Suggested Retail Price**

Model	Description	Polished Chrome
A4264	Trim	818
I00405	Showerhead	419
1120/12	Shower Arm	70
SOF136	Handshower	114
CD8000	Handshower Bracket	149
16295	Hose	51
A2203	Tub Spout	276
Total Package List Price With Roughs		2,421
R1053BD	Rough (No Share)	524
Total Package List Price With Roughs		2,421

Note: Sample configuration priced in Polished Chrome. Other configurations and finishes available. Complete your Shower experience by including one of our decorative drain options.

3/4" THERMOSTATIC SHOWER OPTION 1**Suggested Retail Price**

Model	Description	Polished Chrome
A4214	Trim	563
I00405	Showerhead	419
1120/12	Shower Arm	70
SOF136	Handshower	114
1650	Handshower Bar	331
33640	Outlet	90
16295	Hose	51
A4212 (x3)	Volume Controls (x3)	324
I00124 (x2)	Body Sprays (x2)	112
1005N	Rough	369
R1040R (x3)	Volume Control Rough (x3)	160
Total Package List Price With Roughs		3,683

Note: Sample configuration priced in Polished Chrome. Other configurations and finishes available. Complete your Shower experience by including one of our decorative drain options.

MEDA™

Authentically Crafted in Italy

Meda, in the heart of Brianza, Italy, is the region where high-end Italian contemporary furnishings have been made since the 18th century. It is here that the artisans and ateliers of high-quality, luxury contemporary furnishings continue to inspire and be inspired. The Meda™ Collection is named in honor of this history. The sleek lines of this collection embody the spirit of Cassina and Minotti chairs, tables and accessories. Unfettered and modern from start to finish.



Handle Options



*Metal Lever
LM*

Available Finishes:



*Polished Chrome
APC*



*Polished Nickel
PN*



*Satin Nickel
STN*

See product page for available finishes

LV102LAPC

ACQUI

ARCANA

BELLIA

CAMPO

ECLISSI

GRACELINE

LOMBARDIA

MEDA

MISCELO

PALLADIAN

QUARTLIE

SERIES HIGHLIGHTS

ACQUI

ARCANA

BELLIA

CAMPO

ECLISSI

GRACELINE

LOMBARDIA

MEDA

MISCELO

PALLADIAN

QUARTLIE

FAUCETS



LV51
page 242



LV354
page 242



LV102
page 242



LV351
page 242

TUB FILLERS



LVKIT2113
page 244



LVKIT2112
page 244



LVKIT2111N
page 246



LV24
page 246

SHOWER TRIMS



LV110
page 246



LV210N
page 246



LV720L
page 247



LV390
page 247

PRESSURE BALANCE

1/2" THERMOSTATIC

3/4" THERMOSTATIC

SHOWER PACKAGES



page 250



page 250



page 251



page 251



page 252



page 252



OTHER CONSIDERATIONS

See product page for available finishes.



I00597
page 246



NEW **I00598**
page 375



I00625
page 338



I00218
page 378



1510/6
page 384



B00177
page 389



SOF136
page 389



SDPVC2/3-3143
page 408



1266
page 360



C72
page 247



E37005
page 405



L0095KIT1
page 390



L01/24
page 248



L08
page 248



L04
page 247



SY300
page 249



SB1715
Shaws® Price Book



U.2512
Perrin & Rowe® Price Book



ios 80
Victoria + Albert® Price Book



ios
Victoria + Albert® Price Book

SHOWER

ACCESSORIES

BATH FIXTURES



APC



PN



STN

ACQUI

ARCANA

BELLIA

CAMPO

ECLISSI

GRACELINE

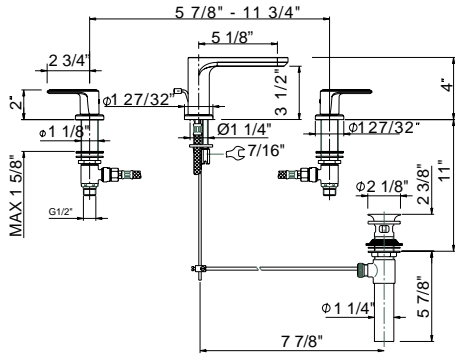
LOMBARDIA

MEDA

MISCELO

PALLADIAN

QUARTLIE



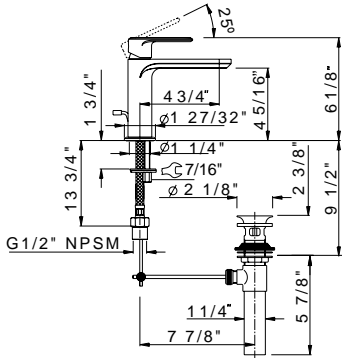
LV102 Meda™ Column Spout Widespread Lavatory Faucet

Suggested Retail Price

Handle	APC	PN	STN
L	805	901	1,106



- Pop-up drain included
- 1.2 GPM



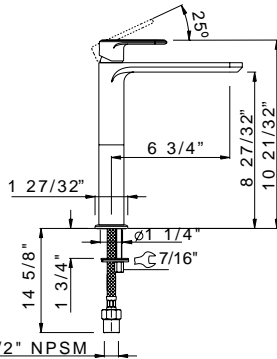
LV51 Meda™ Single Handle Lavatory Faucet

Suggested Retail Price

Handle	APC	PN	STN
L	574	635	790



- Pop-up drain included
- 1.2 GPM



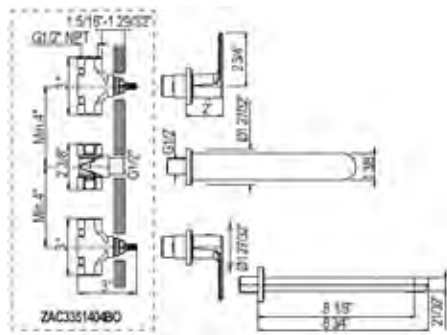
LV354 Meda™ Single Handle Tall Lavatory Faucet

Suggested Retail Price

Handle	APC	PN	STN
L	689	765	930



- 1.2 GPM
- Drain assembly not included with faucet. Must order drain to complete.



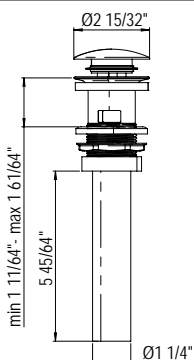
LV351 Meda™ Wall Mount Widespread Lavatory Faucet

Suggested Retail Price

Handle	APC	PN	STN
L	604	685	885



- Rough valve sold separately
— Order ZAC3351104BO wall rough valve: \$267
- 1.2 GPM aerator
- Drain assembly not included with faucet. Must order drain to complete.
- 13/16" extension kit is ZA10055004, set of two pieces to extend both hot and cold valves: \$115



NEW

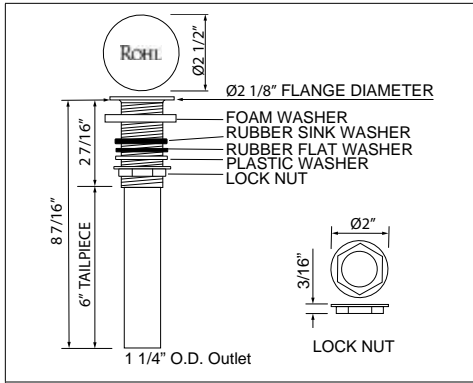
CC2310FWO Touch Seal Dome Drain for Overflow and No-Overflow Sinks

Suggested Retail Price

APC	STN	MB	SG
128	160	166	182



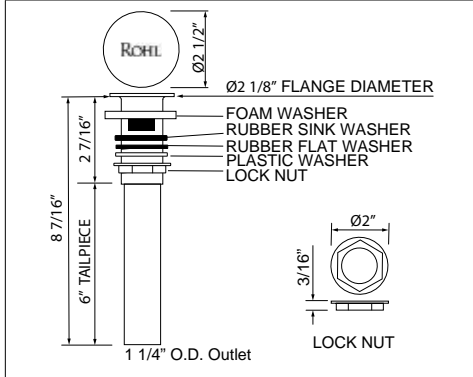
- Available: Summer 2020



5445 Touch Seal Dome Drain With 6" Tailpiece for No-Overflow Sinks

Suggested Retail Price

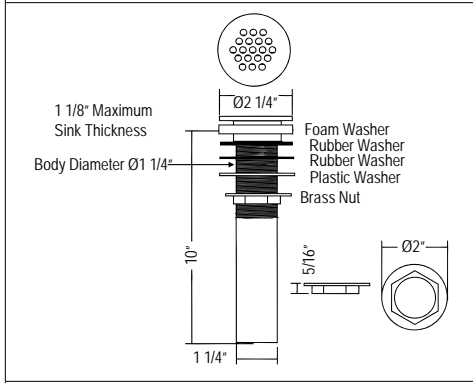
APC	PN	STN
277	277	277



5447 Slotted Touch Seal Dome Drain With 6" Tailpiece for Overflow Sinks

Suggested Retail Price

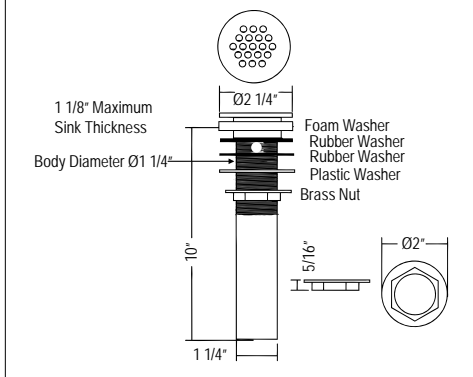
APC	PN	STN
277	277	277



6442 Non Slotted Grid Drain for No-Overflow Sinks

Suggested Retail Price

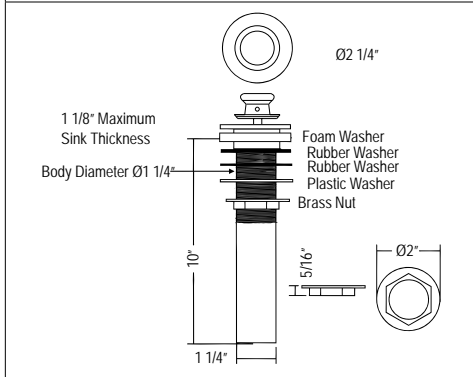
APC	PN	STN
249	249	249



7444 Grid Drain for Overflow Sinks

Suggested Retail Price

APC	PN	STN
249	249	249

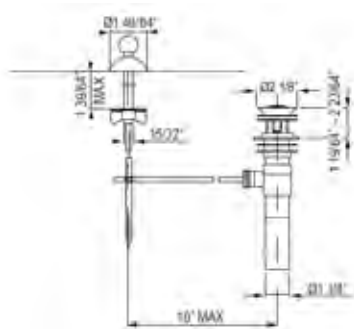


8446 Lift And Turn Drain for No-Overflow Sinks

Suggested Retail Price

APC	PN	STN
281	281	281





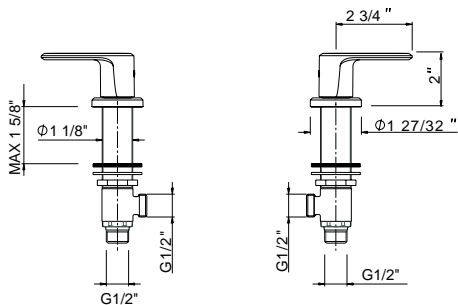
CNZREMOTE Remote Pop-Up Set

Suggested Retail Price

APC	PN	STN
198	198	310



- Not for use with vessel bowls or bowls without overflow



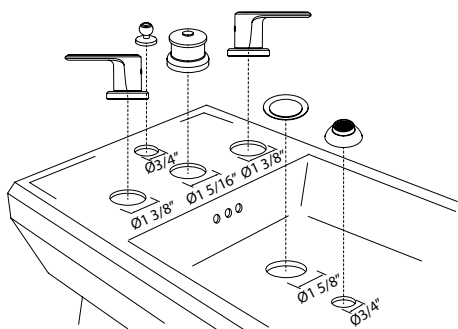
LV120 Meda™ Set Of Hot & Cold 1/2" Sidevalves

Suggested Retail Price

Handle	APC	PN	STN
L	351	395	470



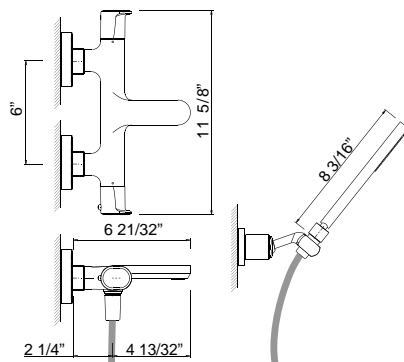
- For use on bathtubs with integrated tub spouts
- Hose not included. Order C7089.6012 1/2" x 1/2" NPSM connection. Order two for a set.



LV595 Meda™ 5-Hole Bidet Faucet

Suggested Retail Price

Handle	APC	PN	STN
L	1,581	1,988	2,063



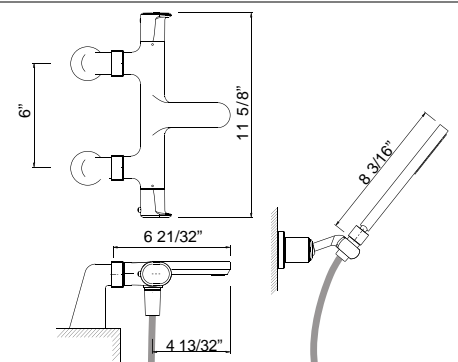
LVKIT2113 Meda™ Wall Mount Exposed Thermostatic Tub Filler With Wall Mount Handshower

Suggested Retail Price

Handle	APC	PN	STN
L	1,242	1,407	1,736



- 5.5 GPM at 60 PSI from tub spout
- 1.8 GPM ABS construction single-function handshower
- Kit includes:
 - LV211L exposed thermostatic bathtub/shower mixer with handshower and hose
 - ZZ9897702 eccentric wall unions
 - ZZ9841702 wall mount handshower holder



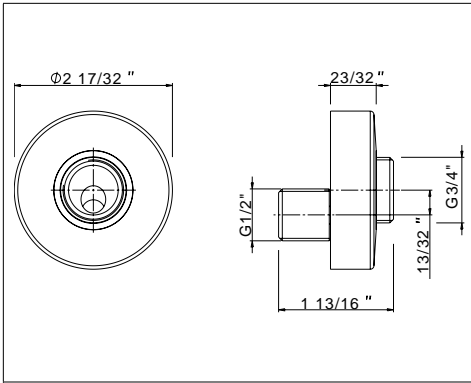
LVKIT2112 Meda™ Deck Mount Exposed Thermostatic Tub Filler With Wall Mount Handshower

Suggested Retail Price

Handle	APC	PN	STN
L	1,377	1,551	1,907



- 5.5 GPM at 60 PSI from tub spout
- 1.8 GPM ABS construction single-function handshower
- Kit includes:
 - LV211L exposed thermostatic bathtub/shower mixer with handshower and hose
 - ZA1037902 deck unions
 - ZZ9841702 wall mount handshower holder



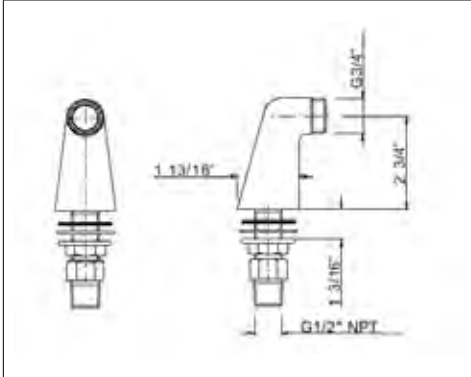
ZZ9897702 Meda™ Wall Unions - Set Of 2



Suggested Retail Price

APC	PN	STN
66	87	116

- For wall applications of exposed thermostatic bathtub mixer LV211L
- Total combined offset dimension for set of 2 unions is +/- 3/4"



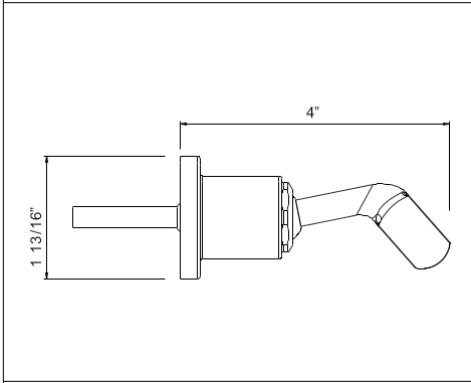
ZA1037902 Meda™ Deck Unions - Set Of 2



Suggested Retail Price

APC	PN	STN
201	231	287

- For deck applications of exposed thermostatic bathtub/shower mixer CU212HB or LV211L



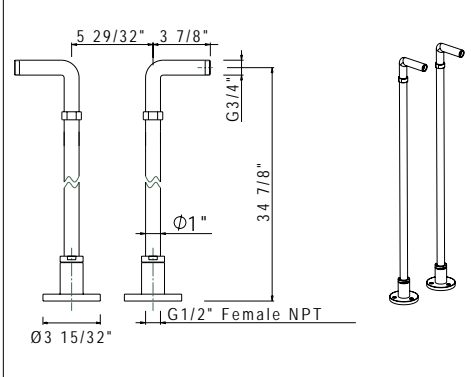
ZZ9841702 Meda™ Wall Mount Handshower Holder



Suggested Retail Price

APC	PN	STN
231	267	340

- Bracket for use with exposed thermostatic bathtub/shower mixer CU212HB or LV211L to provide a wall mount hook holder for the handshower/hose



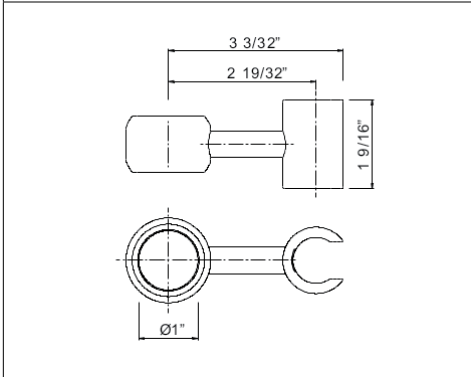
ZA386 Floor Pillar Legs Or Supply Unions - Set Of 2



Suggested Retail Price

APC	PN	STN
1,184	1,302	1,674

- Cannot be cut down
- Alternative heights available by special order. Please contact ROHL Customer Care.
- Extra horizontal reach union adaptors available, order C5574EXT
- Optional support bracket or stanchion not included with floor legs, order separately as ZZ940830 with finish



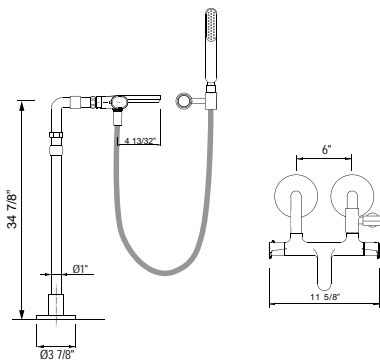
ZZ9826502 Meda™ Floor Leg Mount Handshower Holder



Suggested Retail Price

APC	PN	STN
172	199	250

- Bracket for use with exposed thermostatic bathtub/shower mixer CU212HB or LV211L to provide a ZA386 floor leg mount holder for the handshower/hose



LVKIT2111N Meda™ Exposed Thermostatic Tub Filler With Handshower And Floor Pillar Legs Or Supply Unions

Suggested Retail Price

Handle	APC	PN	STN
L	2,301	2,554	3,204

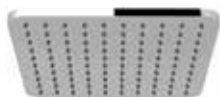


- Kit includes:
 - LV211L exposed thermostatic bathtub/shower mixer with handshower and hose
 - ZA386 floor pillar legs
 - ZZ9826502 floor leg mount handshower holder
- 5.5 GPM at 60 PSI from tub spout
- 2" straight union extensions available, order part # C7205EXT+FINISH for a set of two.

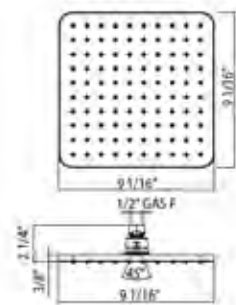
I00597 9 1/16" Meda™ Square Rain Showerhead

Suggested Retail Price

APC	PN	STN
459	559	710



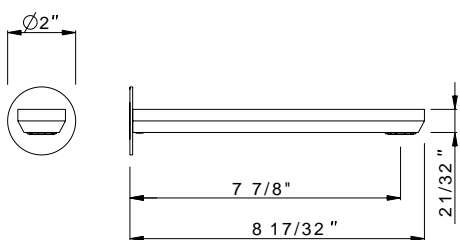
- Flow rate 1.8 GPM
- For installation on ceiling or on exposed shower arm



LV24 Meda™ Wall Mount Bathtub Spout

Suggested Retail Price

APC	PN	STN
322	346	401

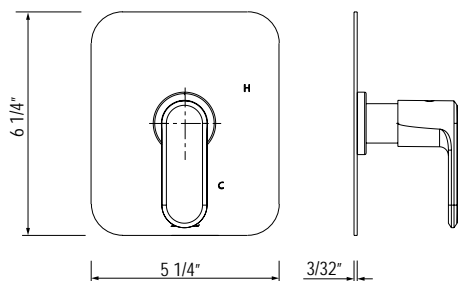


- 6 GPM
- Spout connection requires special rough fitting to be installed before the finished wall is complete. Spout connection and rough for wall valve are an integrated assembly. Do not set finish wall until the rough assembly is installed.

LV110 Meda™ 1/2" Pressure Balance Trim Without Diverter

Suggested Retail Price

Handle	APC	PN	STN
L	375	412	499

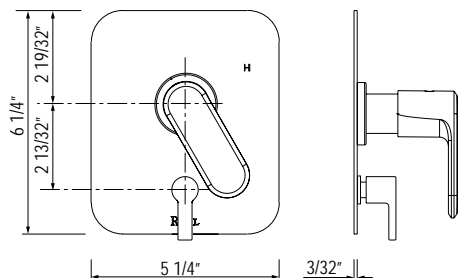


- Rough valve sold separately
 - Order RCT-1 1/2" pressure balance rough valve: \$203

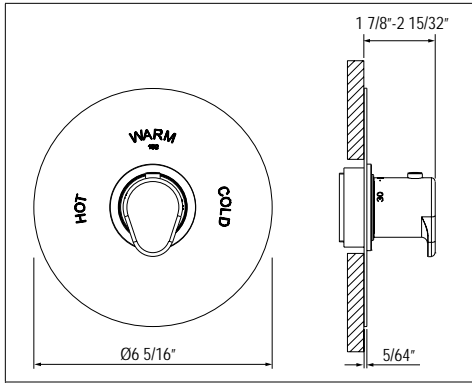
LV210N Meda™ 1/2" Pressure Balance Trim With Diverter

Suggested Retail Price

Handle	APC	PN	STN
L	447	483	594



- Rough valve sold separately
 - Order RDD-2 1/2" pressure balance rough valve: \$326

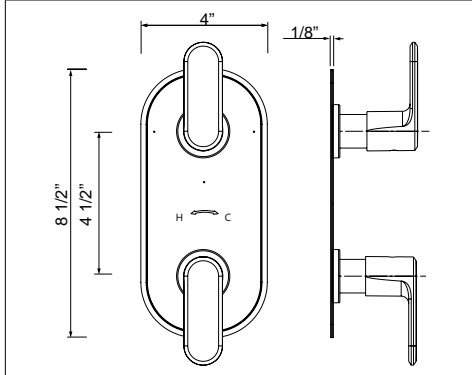


LV720L Meda™ 3/4" Thermostatic Trim Without Volume Control



- Rough valve sold separately
 - Order 1005N 3/4" thermostatic rough valve: \$369

Handle	Suggested Retail Price		
	APC	PN	STN
L	326	361	440

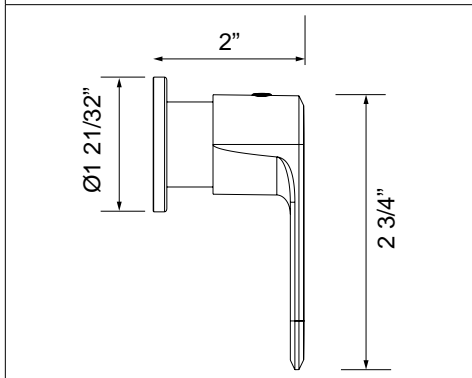


LV390 Meda™ 1/2" Thermostatic Trim with Diverter



- Rough valve sold separately
 - Order R1051BV 1/2" thermostatic 1 function rough valve: \$448
 - Order R1052BD 1/2" thermostatic 2 function rough valve: \$449
 - Order R1053BD 1/2" thermostatic 3 function rough valve: \$524
 - Order R1055BD 1/2" thermostatic 5 function rough valve: \$524

Handle	Suggested Retail Price		
	APC	PN	STN
L	634	680	860

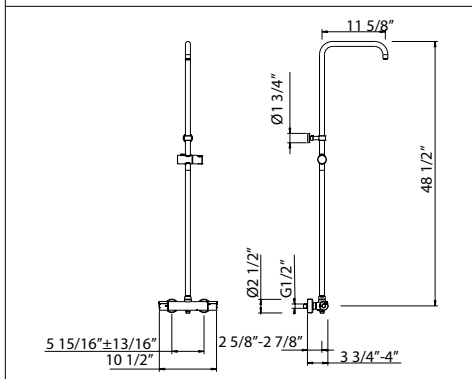


LV195 Meda™ Trim For Volume Control And 4-Port Dedicated Diverter



- Rough valve sold separately
 - Order R1040R 3/4" volume control rough valve: \$160
 - Order R1062BO 4-port, 3-way dedicated diverter rough valve: \$319

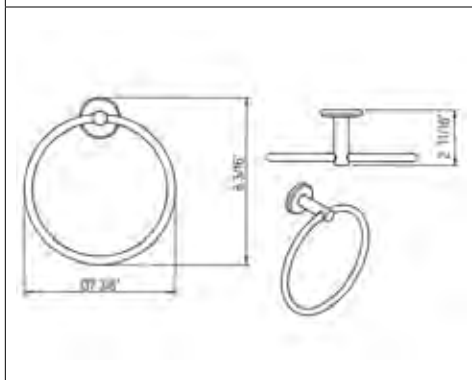
Handle	Suggested Retail Price		
	APC	PN	STN
L	232	255	337



C72 Mod-Fino Exposed Wall Mount Thermostatic Shower With Diverter, Riser And Sliding Handshower Parking Bracket



Suggested Retail Price		
APC	PN	STN
616	704	874



LO4 Lombardia® Wall Mount Towel Ring



Suggested Retail Price		
APC	PN	STN
106	127	138

ACQUI

ARCA NA

BELLIA

CAMPO

ECLISSI

GRACELINE

LOMBARDIA

MEDA

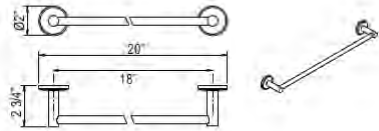
MISCELO

PALLADIAN

QUARTLIE



LO1/18 Lombardia® Wall Mount 18" Single Towel Bar

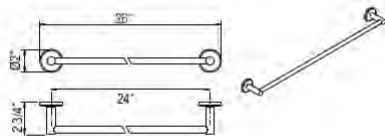


- Cannot be cut

Suggested Retail Price

APC	PN	STN
153	172	180

LO1/24 Lombardia® Wall Mount 24" Single Towel Bar

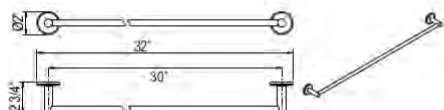


- Cannot be cut

Suggested Retail Price

APC	PN	STN
160	178	188

LO1/30 Lombardia® Wall Mount 30" Single Towel Bar

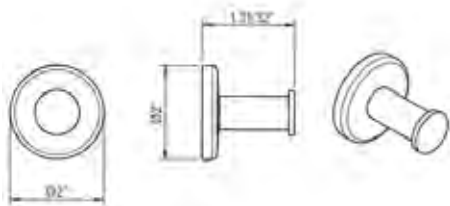


- Cannot be cut

Suggested Retail Price

APC	PN	STN
169	185	196

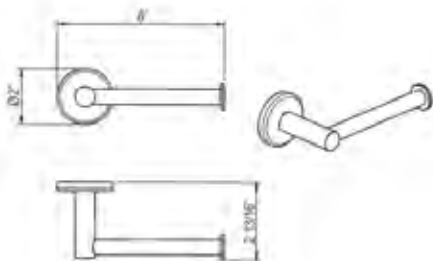
LO7 Lombardia® Wall Mount Single Robe Hook



Suggested Retail Price

APC	PN	STN
70	73	75

LO8 Lombardia® Wall Mount Toilet Paper Holder



Suggested Retail Price

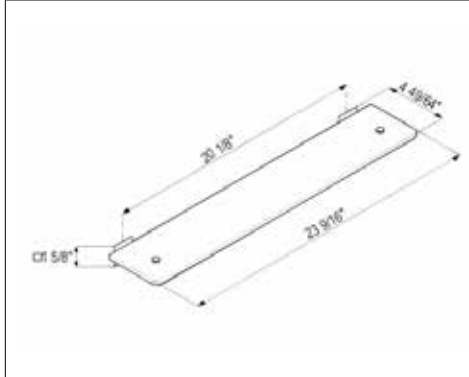
APC	PN	STN
100	110	115



SY300 Lombardia® Wall Mount 24" Hotel Style Towel Shelf


Suggested Retail Price

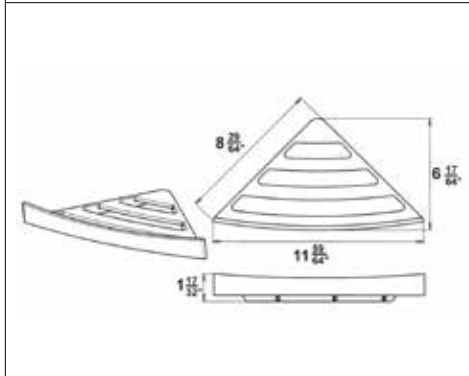
APC	PN	STN
1,308	1,392	1,823



VIN12 Vincent™ Wall Mount Glass Vanity Shelf


Suggested Retail Price

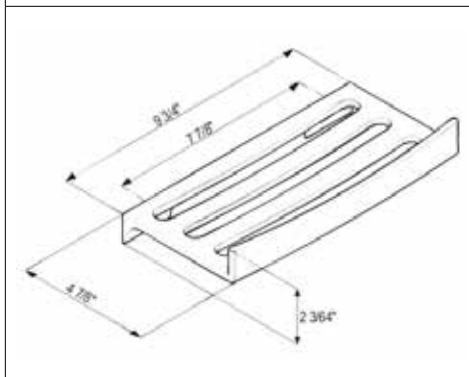
APC	PN	STN
255	287	304



VIN17 Vincent™ Wall Mount Corner Basket


Suggested Retail Price

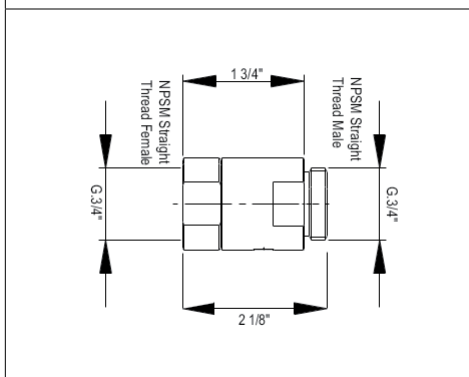
APC	PN	STN
199	292	303



VIN42 Vincent™ Wall Mount Sponge Holder


Suggested Retail Price

APC	PN	STN
254	325	337



ZA1038402 Decorative Shut-Off Valve For Floor Legs



- Fits ZA386 floor pillar legs
- Order two for a set

Suggested Retail Price

APC	PN	STN
199	209	255



ACQUI

ARCANA

BELLIA

CAMPO

ECLISSI

GRACELINE

LOMBARDIA

MEDA

MISCELO

PALLADIAN

QUARTLIE

**PRESSURE BALANCE SHOWER OPTION 1****Suggested Retail Price**

Model	Description	Polished Chrome
LV110L	Trim	375
SOF136	Handshower	114
1650	Handshower Bar	331
33640	Outlet	90
16295	Hose	51
RCT-1	Rough	203
Total Package List Price With Roughs		1,164

Note: Sample configuration priced in Polished Chrome. Other configurations and finishes available. Complete your Shower experience by including one of our decorative drain options.

**PRESSURE BALANCE SHOWER OPTION 2****Suggested Retail Price**

Model	Description	Polished Chrome
LV210L	Trim	447
I00597	Showerhead	459
1120/12	Shower Arm	70
SOF136	Handshower	114
1650	Handshower Bar	331
33640	Outlet	90
16295	Hose	51
RDD-2	Rough	326
Total Package List Price With Roughs		1,888

Note: Sample configuration priced in Polished Chrome. Other configurations and finishes available. Complete your Shower experience by including one of our decorative drain options.



1/2" THERMOSTATIC SHOWER OPTION 1

Model	Description	Suggested Retail Price
		Polished Chrome
LV390L	Trim	634
I00597	Showerhead	459
1120/12	Shower Arm	70
SOF136	Handshower	114
1650	Handshower Bar	331
33640	Outlet	90
16295	Hose	51
R1055BD	Rough	524
Total Package List Price With Roughs		2,273
R1052BD	Rough (No Share)	449
Total Package List Price With Roughs		2,198

Note: Sample configuration priced in Polished Chrome. Other configurations and finishes available. Complete your Shower experience by including one of our decorative drain options.



1/2" THERMOSTATIC SHOWER OPTION 2

Model	Description	Suggested Retail Price
		Polished Chrome
LV390L	Trim	634
I00597	Showerhead	459
1120/12	Shower Arm	70
I00598	Ceiling Showerhead	599
1505/3	Ceiling Shower Arm	107
SOF136	Handshower	114
1650	Handshower Bar	331
33640	Outlet	90
16295	Hose	51
R1055BD	Rough	524
Total Package List Price With Roughs		2,979
R1053BD	Rough (No Share)	524
Total Package List Price With Roughs		2,979

Note: Sample configuration priced in Polished Chrome. Other configurations and finishes available. Complete your Shower experience by including one of our decorative drain options.



1/2" THERMOSTATIC SHOWER OPTION 3

Suggested Retail Price

Model	Description	Polished Chrome
LV390L	Trim	634
I00597	Showerhead	459
1120/12	Shower Arm	70
SOF136	Handshower	114
CD8000	Handshower Bracket	149
16295	Hose	51
LV24	Tub Spout	322
R1055BD	Rough	524
Total Package List Price With Roughs		2,323
R1053BD	Rough (No Share)	524
Total Package List Price With Roughs		2,323

Note: Sample configuration priced in Polished Chrome. Other configurations and finishes available. Complete your Shower experience by including one of our decorative drain options.

3/4" THERMOSTATIC SHOWER OPTION 1

Suggested Retail Price

Model	Description	Polished Chrome
LV720L	Trim	326
I00597	Showerhead	459
1120/12	Shower Arm	70
SOF136	Handshower	114
1650	Handshower Bar	331
33640	Outlet	90
16295	Hose	51
LV195 (x3)	Volume Controls (x3)	232
I00124 (x2)	Body Sprays (x2)	112
1005N	Rough	369
R1040R (x3)	Volume Control Rough (x3)	160
Total Package List Price With Roughs		3,210

Note: Sample configuration priced in Polished Chrome. Other configurations and finishes available. Complete your Shower experience by including one of our decorative drain options.

MISCELO™

Authentically Crafted in Italy

Miscelo means “I mix” or “I blend” in Italian and that is exactly what we encourage with this collection of fine Italian faucet components. Italian designer Nilo Gioacchini combined his methodological and pragmatic design approach with a touch of whimsy in the Miscelo™ Collection – fashioning a multitude of possible color and texture combinations. Similar to the role that accessories serve in the wardrobe, the rich and dramatic options found in the Miscelo™ Collection serve as the eye-catching accents of the bathroom.



Available laminate inserts:



Bianco
BL



Greystone Quarry
GQ



Nero
NR



Sedona
SD



Whitewash Barnwood
WB

Available finishes:



Polished Chrome
APC



Satin Nickel
STN



Matte Black
MB

See product page for available finishes

MI01D1SDAPC

ACQUI

ARCANA

BELLIA

CAMPO

ECLISSI

GRACELINE

LOMBARDIA

MEDA

MISCELO

PALLADIAN

QUARTLIE

ACQUI

ARCANA

BELLIA

CAMPO

ECLISSI

GRACELINE

LOMBARDIA

MEDA

MISCELO

PALLADIAN

QUARTLIE

FAUCETS



MI09D3
page 257



MI01D1
page 257

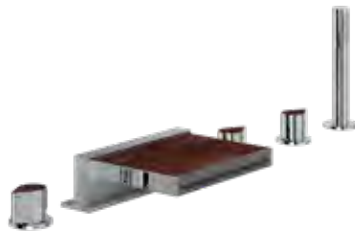


MI02D1
page 257



MI01W2
page 257

TUB FILLERS



MI05D5
page 258



MI05F1
page 258

SHOWER TRIMS



MI10W1
page 258



MI11W1
page 258



MI13W1
page 259



MI12W2
page 259

SHOWER PACKAGES

PRESSURE BALANCE

1/2" THERMOSTATIC

3/4" THERMOSTATIC



page 260



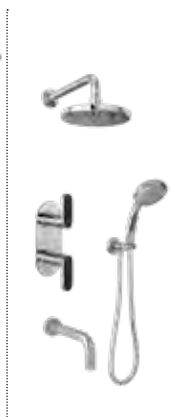
page 260



page 261



page 261



page 262



page 262

OTHER CONSIDERATIONS

See product page for available finishes.



BI00701
page 337



NEW **I00405**
page 373



I00625
page 338



WI0197
page 378



1505/24
page 385



B00102
page 389



B01168
page 388



SDPVC2/3-3146
page 408



L0095KIT1
page 390



1267
page 399



1600
page 395



C50000/1
page 370



L01/18
page 248



L08
page 248



L04
page 247



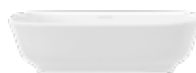
L07
page 248



U.2512
Perrin & Rowe® Price Book



SB1800
Shaws® Price Book



AMIATA 60
Victoria + Albert® Price Book



AMIATA
Victoria + Albert® Price Book

SHOWER

ACCESSORIES

BATH FIXTURES

ACQUI

ARCANA

BELLIA

CAMPO

ECLISSI

GRACELINE

LOMBARDIA

MEDA

MISCELO

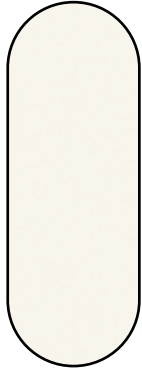
PALLADIAN

QUARTLIE

MISCELO™ FINISH INSERT OPTIONS

Five insert options and three metal finish options for fifteen possible combinations
Handle and spout inserts must match

AVAILABLE INSERT FINISHES



Bianco
BL



Greystone Quarry
GQ



Nero
NR

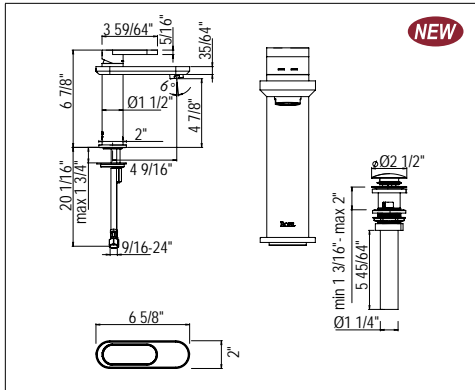


Sedona
SD



Whitewash Barnwood
WB





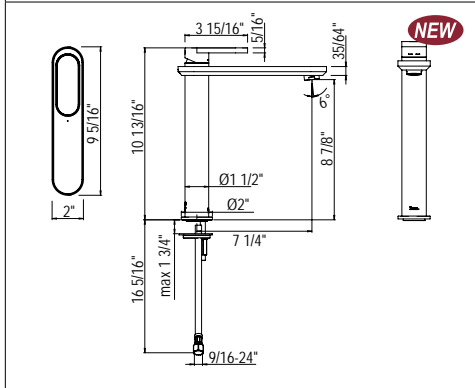
MI01D1 Miscelo™ Single Handle Lavatory Faucet



Suggested Retail Price

Handle	APC	STN	MB
BL	778	974	1,010
GQ	778	974	1,010
NR	778	974	1,010
SD	778	974	1,010
WB	778	974	1,010

- Available: Summer 2020
- Available in three metal finishes and 15 insert combinations
- 1.2 GPM
- Matching Tub Filler MI05D5
- For mix and match handle options, call Customer Care for pricing



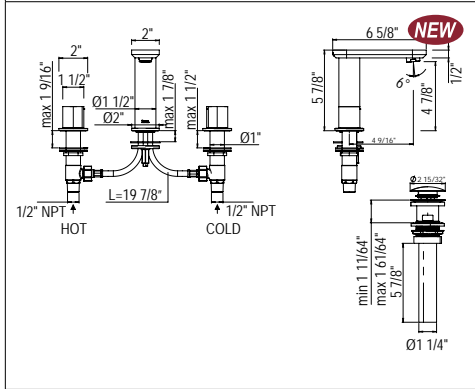
MI02D1 Miscelo™ Single Handle Tall Lavatory Faucet



Suggested Retail Price

Handle	APC	STN	MB
BL	977	1,222	1,271
GQ	977	1,222	1,271
NR	977	1,222	1,271
SD	977	1,222	1,271
WB	977	1,222	1,271

- Available: Summer 2020
- Available in three metal finishes and 15 insert combinations
- 1.2 GPM
- Matching Tub Filler MI05D5
- For mix and match handle options, call Customer Care for pricing



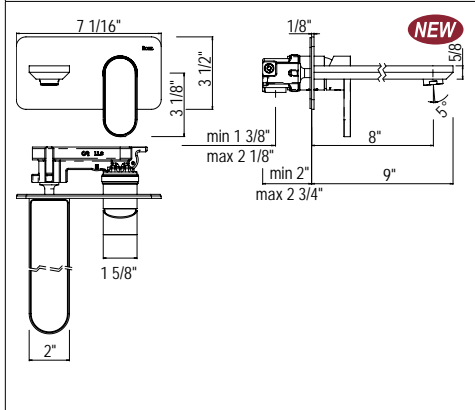
MI09D3 Miscelo™ Widespread Lavatory Faucet



Suggested Retail Price

Handle	APC	STN	MB
BL	878	1,098	1,141
GQ	878	1,098	1,141
NR	878	1,098	1,141
SD	878	1,098	1,141
WB	878	1,098	1,141

- Available: Summer 2020
- Available in three metal finishes and 15 insert combinations
- 1.2 GPM
- Matching Tub Filler MI05D5
- For mix and match handle options, call Customer Care for pricing



MI01W2 Miscelo™ Wall Mount Single Handle Lavatory Faucet



Suggested Retail Price

Handle	APC	STN	MB
BL	998	1,248	1,297
GQ	998	1,248	1,297
NR	998	1,248	1,297
SD	998	1,248	1,297
WB	998	1,248	1,297

- Available: Summer 2020
- Available in three metal finishes and 15 insert combinations
- 1.2 GPM
- Matching Tub Filler MI05D5
- For mix and match handle options, call Customer Care for pricing
- Drain not included



ACQUI

ARCAVA

BELLIA

CAMPO

ECLISSI

GRACELINE

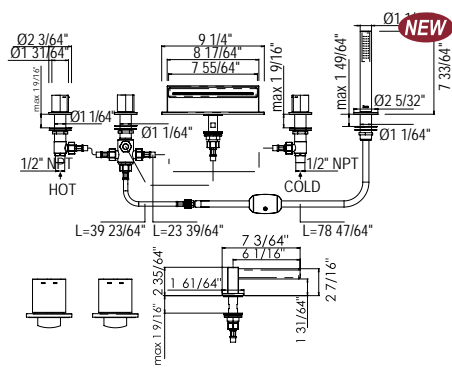
LOMBARDIA

MEDA

MISCELO

PALLADIAN

QUARTILE



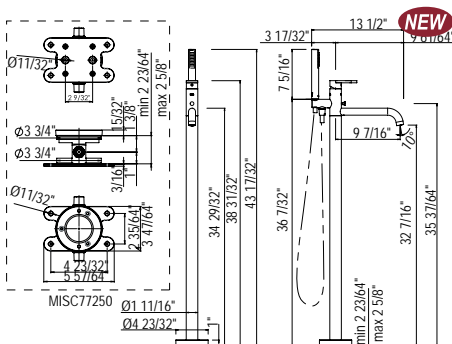
MI05D5 Miscelo™ 5-Hole Deck Mount Tub Filler

Suggested Retail Price

Handle	APC	STN	MB
BL	2,198	2,748	2,857
GQ	2,198	2,748	2,857
NR	2,198	2,748	2,857
SD	2,198	2,748	2,857
WB	2,198	2,748	2,857



- Available: Summer 2020
- Available in three metal finishes and 15 insert combinations
- 6.4 GPM at 60 PSI
- 1.75 GPM for handshower
- Matching lavatory faucet MI09D3
- For mix and match handle options, call Customer Care for pricing



MI05F1 Miscelo™ 1-Hole Floor Mount Tub Filler

Suggested Retail Price

Handle	APC	STN	MB
BL	2,398	2,998	3,117
GQ	2,398	2,998	3,117
NR	2,398	2,998	3,117
SD	2,398	2,998	3,117
WB	2,398	2,998	3,117



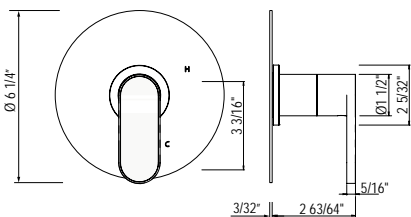
- Available: Summer 2020
- Available in three metal finishes and 15 insert combinations
- Rough valve sold separately
 - Order MISC77250 floor tub filler rough valve: \$278
- 5.6 GPM at 60 PSI
- 1.75 GPM for handshower



MI10W1 Miscelo™ Pressure Balance Trim without Diverter

Suggested Retail Price

Handle	APC	STN	MB
BL	448	560	582
GQ	448	560	582
NR	448	560	582
SD	448	560	582
WB	448	560	582



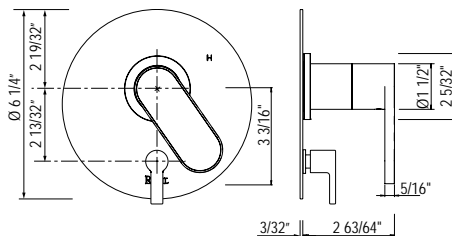
- Available: Summer 2020
- Available in three metal finishes and 15 insert combinations
- Rough valve sold separately
 - Order RCT-1 1/2\" pressure balance rough valve: \$203
- For mix and match handle options, call Customer Care for pricing



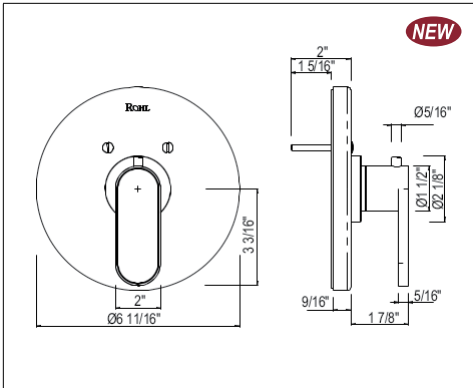
MI11W1 Miscelo™ Pressure Balance Trim with Diverter

Suggested Retail Price

Handle	APC	STN	MB
BL	548	685	712
GQ	548	685	712
NR	548	685	712
SD	548	685	712
WB	548	685	712



- Available: Summer 2020
- Available in three metal finishes and 15 insert combinations
- Rough valve sold separately
 - Order RDD-2 1/2\" pressure balance rough valve: \$326
- For mix and match handle options, call Customer Care for pricing



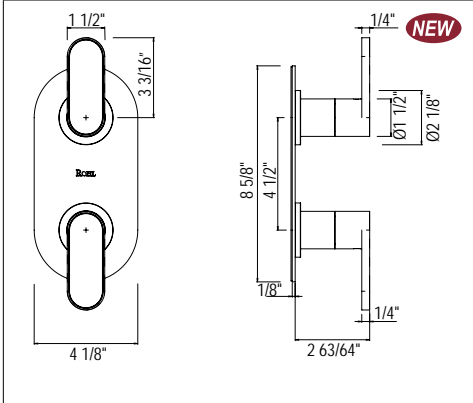
MI13W1 Miscelo™ 3/4" Thermostatic Trim without Volume Control



Suggested Retail Price

Handle	APC	STN	MB
BL	628	785	816
GQ	628	785	816
NR	628	785	816
SD	628	785	816
WB	628	785	816

- Available: Summer 2020
- Available in three metal finishes and 15 insert combinations
- Rough valve sold separately
 - Order 1005N 3/4" thermostatic rough valve: \$369
- For mix and match handle options, call Customer Care for pricing



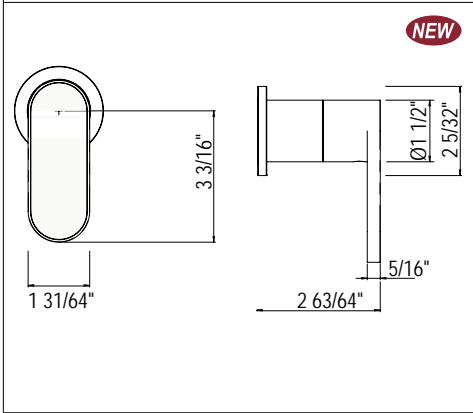
MI12W2 Miscelo™ 1/2" Thermostatic Trim with Diverter



Suggested Retail Price

Handle	APC	STN	MB
BL	658	823	855
GQ	658	823	855
NR	658	823	855
SD	658	823	855
WB	658	823	855

- Available: Summer 2020
- Rough valve sold separately
 - Order R1051BV 1/2" thermostatic 1 function rough valve: \$448
 - Order R1052BD 1/2" thermostatic 2 function rough valve: \$449
 - Order R1053BD 1/2" thermostatic 3 function rough valve: \$524
 - Order R1055BD 1/2" thermostatic 5 function rough valve: \$524



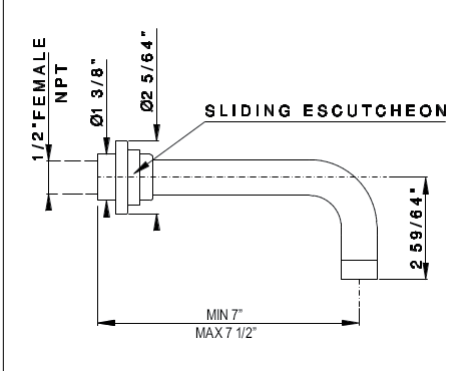
MI18W1 Miscelo™ Trim for Volume Control and Diverter



Suggested Retail Price

Handle	APC	STN	MB
BL	198	248	257
GQ	198	248	257
NR	198	248	257
SD	198	248	257
WB	198	248	257

- Available: Summer 2020
- Available in three metal finishes and 15 insert combinations
- Rough valve sold separately
 - Order R1040R 3/4" volume control rough valve: \$160
 - Order R1062BO 4-port, 3-way dedicated diverter rough valve: \$319



A2203 Lombardia® Wall Mount Tub Spout



Suggested Retail Price

APC	PN	STN	MB	TCB	ULB
276	303	367	367	392	392



ACQUI

ARCANA

BELLIA

CAMPO

ECLISSI

GRACELINE

LOMBARDIA

MEDA

MISCELO

PALLADIAN

QUARTLIE

**PRESSURE BALANCE SHOWER OPTION 1****Suggested Retail Price**

Model	Description	Polished Chrome
MI10W1BL	Trim	448
B00102	Handshower	149
1650	Handshower Bar	331
33640	Outlet	90
16295	Hose	51
RCT-1	Rough	203
Total Package List Price With Roughs		1,272

Note: Sample configuration priced in Polished Chrome. Other configurations and finishes available. Complete your Shower experience by including one of our decorative drain options.

**PRESSURE BALANCE SHOWER OPTION 2****Suggested Retail Price**

Model	Description	Polished Chrome
MI11W1BL	Trim	548
WI0196	Showerhead	235
1120/12	Shower Arm	70
B00102	Handshower	149
1650	Handshower Bar	331
33640	Outlet	90
16295	Hose	51
RDD-2	Rough	326
Total Package List Price With Roughs		1,800

Note: Sample configuration priced in Polished Chrome. Other configurations and finishes available. Complete your Shower experience by including one of our decorative drain options.



1/2" THERMOSTATIC SHOWER OPTION 1

Model	Description	Suggested Retail Price
		Polished Chrome
MI12W2BL	Trim	658
I00405	Showerhead	419
1120/12	Shower Arm	70
B00102	Handshower	149
1650	Handshower Bar	331
33640	Outlet	90
16295	Hose	51
Total Package List Price With Roughs		2,292
R1055BD	Rough	524
Total Package List Price With Roughs		2,217

Note: Sample configuration priced in Polished Chrome. Other configurations and finishes available. Complete your Shower experience by including one of our decorative drain options.



1/2" THERMOSTATIC SHOWER OPTION 2

Model	Description	Suggested Retail Price
		Polished Chrome
MI12W2BL	Trim	658
I00405	Showerhead	419
1120/12	Shower Arm	70
SLM03	Ceiling Showerhead	704
1505/3	Ceiling Shower Arm	107
B00102	Handshower	149
1650	Handshower Bar	331
33640	Outlet	90
16295	Hose	51
Total Package List Price With Roughs		3,103
R1055BD	Rough	524
Total Package List Price With Roughs		3,103

Note: Sample configuration priced in Polished Chrome. Other configurations and finishes available. Complete your Shower experience by including one of our decorative drain options.



ACQUI

ARCANA

BELLIA

CAMPO

ECLISSI

GRACELINE

LOMBARDIA

MEDA

MISCELO

PALLADIAN

QUARTLIE

**1/2" THERMOSTATIC SHOWER OPTION 3****Suggested Retail Price**

Model	Description	Polished Chrome
MI12W2BL	Trim	658
I00405	Showerhead	419
1120/12	Shower Arm	70
B00102	Handshower	149
CD8000	Handshower Bracket	149
16295	Hose	51
A2203	Tub Spout	276
Total Package List Price With Roughs		2,296
R1053BD	Rough (No Share)	524
Total Package List Price With Roughs		2,296

Note: Sample configuration priced in Polished Chrome. Other configurations and finishes available. Complete your Shower experience by including one of our decorative drain options.

3/4" THERMOSTATIC SHOWER OPTION 1**Suggested Retail Price**

Model	Description	Polished Chrome
MI13W1BL	Trim	628
I00405	Showerhead	419
1120/12	Shower Arm	70
B00102	Handshower	149
1650	Handshower Bar	331
33640	Outlet	90
16295	Hose	51
MI18W1 (x3)	Volume Controls (x3)	198
I00124 (x2)	Body Sprays (x2)	112
1005N	Rough	369
R1040R (x3)	Volume Control Rough (x3)	160
Total Package List Price With Roughs		3,405

Note: Sample configuration priced in Polished Chrome. Other configurations and finishes available. Complete your Shower experience by including one of our decorative drain options.

PALLADIAN®

Authentically Crafted in Italy

Andrea Palladio, a 16th century Italian architect, creator of the Palladian window, and a proponent of honest classical architecture, was the inspiration behind the Palladian® Collection. Blending the best of classic proportion with the flourish of great Italian fashion, this look is the answer to the renewed love of European colonial and Old World design updated with a transitional look.



Handle Options



Metal Lever
LM



Cross Handle
XM



Swarovski® Crystal Lever
LC



Swarovski® Crystal Knob handles
KC

Available Finishes:



Polished Chrome
APC



Polished Nickel
PN



Tuscan Brass®
TCB



Satin Nickel
STN



Satin Unlacquered Brass
SUB



Italian Brass
IB

See product page for available finishes

A1908LMPN

ACQUI

ARCANA

BELLIA

CAMPO

ECLISSI

GRACELINE

LOMBARDIA

MEDA

MISCELO

PALLADIAN

QUARTLIE

SERIES HIGHLIGHTS

ACQUI

ARCANA

BELLIA

CAMPO

ECLISSI

GRACELINE

LOMBARDIA

MEDA

MISCELO

PALLADIAN

QUARTLIE

FAUCETS



A8800
page 266



A1808
page 266



A1908
page 266

TUB FILLERS



A1904
page 268



N1987
page 268



AKIT1901N
page 268



A1901
page 269

SHOWER TRIMS



A1910
page 270



A2910N
page 271



A4814
page 271



A4864
page 271

SHOWER PACKAGES

PRESSURE BALANCE

1/2" THERMOSTATIC

3/4" THERMOSTATIC



page 274



page 274



page 275



page 275



page 276



page 276



LM



XM



LC



KC

OTHER CONSIDERATIONS

See product page for available finishes.



SLM03
page 376



1070/8
page 372



WI0197
page 378



I00625
page 338



1510/3
page 384



B0315
page 387



B0314
page 366



SDPVC2/3-3146
page 408



D19000/3
page 352



1282
page 400



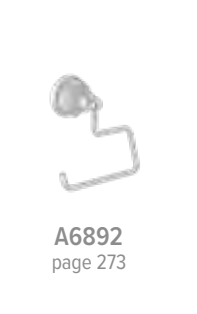
D800/1N
page 395



24995
page 406



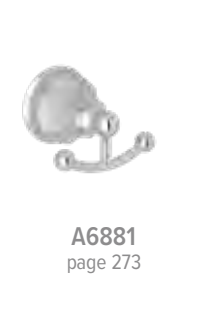
A6886/24
page 272



A6892
page 273



A6885
page 273



A6881
page 273



SB1814
Shaws® Price Book



U.2830
Perrin & Rowe® Price Book



RADFORD 51
Victoria + Albert® Price Book



WORCESTER
Victoria + Albert® Price Book



SHOWER

ACCESSORIES

BATH FIXTURES

ACQUI

ARCANA

BELLIA

CAMPO

ECLISSI

GRACELINE

LOMBARDIA

MEDA

MISCELO

PALLADIAN

QUARTLE



LM



XM



LC



KC

ACQUI

ARCANA

BELLIA

CAMPO

ECLISSI

GRACELINE

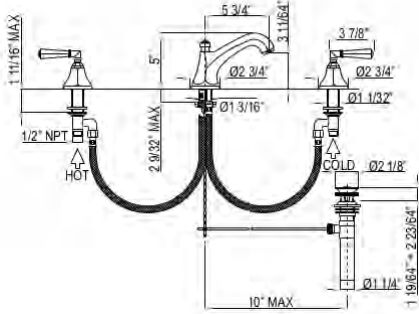
LOMBARDIA

MEDA

MISCELO

PALLADIAN

QUARTLIE



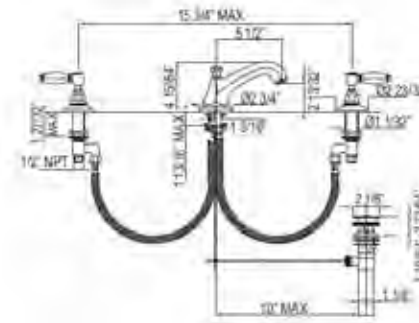
A1908 Palladian® High Neck Widespread Lavatory Faucet

Suggested Retail Price

Handle	APC	PN	STN	IB	SUB	TCB
LM	1,102	1,212	1,435	1,565	1,435	1,565
XM	1,211	1,333	1,576	1,720	1,576	1,720



• 1.2 GPM



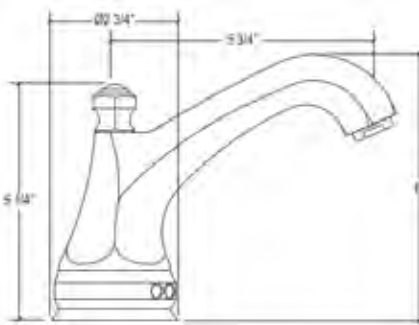
A1808 Palladian® High Neck Widespread Lavatory Faucet

Suggested Retail Price

Handle	APC	PN	STN	IB	TCB
LH	984	1,082	1,230	1,397	1,397



• 1.2 GPM



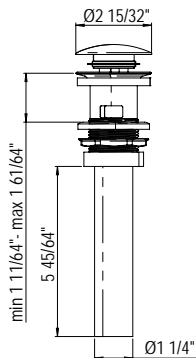
A8800 Hands Free Single Hole High Neck Lavatory Faucet

Suggested Retail Price

APC	PN	STN	IB	TCB
1,842	2,026	2,303	2,616	2,616



- Solenoid/sensor control box is installed below the sink with rotating ceramic cartridge valve for proportional hot and cold water mixing. Dimensions are 6" wide, 5" high, 3 3/8" deep. You must have room under the counter for proper installation.
- May not be suitable for installation on pedestal sinks
- 1.2 GPM
- ADA compliant
- Matching tub filler A1804

**NEW**

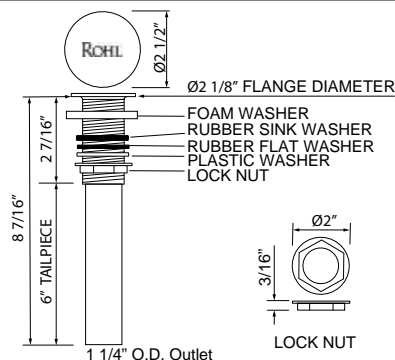
CC2310FWO Touch Seal Dome Drain for Overflow and No-Overflow Sinks

Suggested Retail Price

APC	STN	MB	SG
128	160	166	182



• Available: Summer 2020



5445 Touch Seal Dome Drain With 6" Tailpiece for No-Overflow Sinks

Suggested Retail Price

APC	PN	STN	IB	TCB
277	277	277	686	539

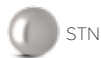




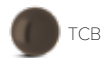
APC



PN



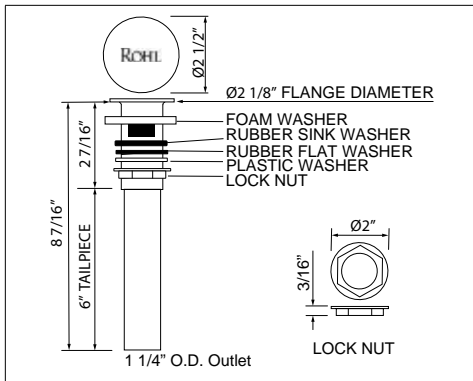
STN



TCB



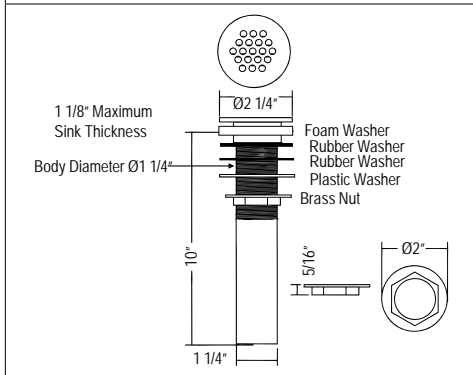
SUB



5447 Slotted Touch Seal Dome Drain With 6" Tailpiece for Overflow Sinks

Suggested Retail Price

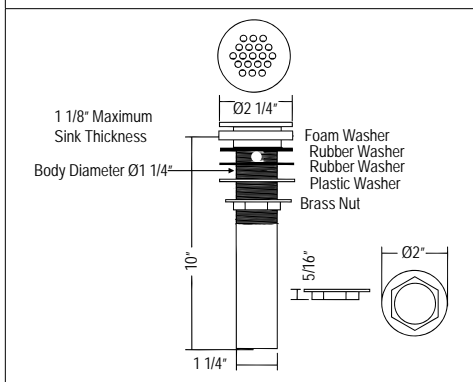
APC	PN	STN	IB	TCB
277	277	277	686	539



6442 Non Slotted Grid Drain for No-Overflow Sinks

Suggested Retail Price

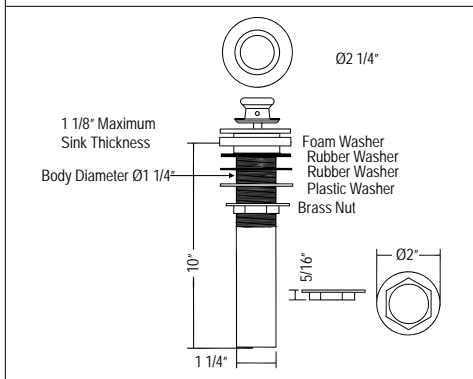
APC	PN	STN	IB	TCB
249	249	249	526	426



7444 Grid Drain for Overflow Sinks

Suggested Retail Price

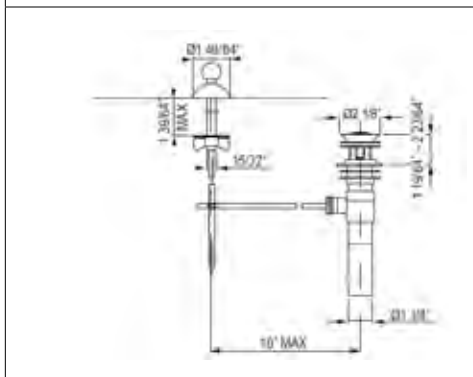
APC	PN	STN	IB	TCB
249	249	249	526	426



8446 Lift And Turn Drain for No-Overflow Sinks

Suggested Retail Price

APC	PN	STN	IB	TCB
281	281	281	614	504



CNZREMOTE Remote Pop-Up Set

Suggested Retail Price

APC	PN	STN	IB	TCB
198	198	310	310	310



- Not for use with vessel bowls or bowls without overflow

ACQUI

ARCANA

BELLIA

CAMPO

ECLISSI

GRACELINE

LOMBARDIA

MEDA

MISCELO

PALLADIAN

QUARTLIE



ACQUI

ARCANA

BELLIA

CAMPO

ECLISSI

GRACELINE

LOMBARDIA

MEDA

MISCELO

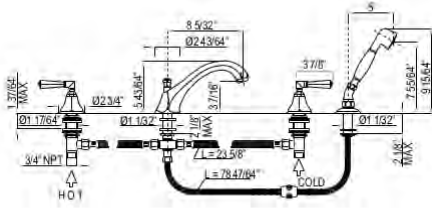
PALLADIAN

QUARTLIE

A1904 Palladian® 4-Hole Deck Mount Tub Filler With Handshower

Suggested Retail Price

Handle	APC	PN	STN	IB	SUB	TCB
LM	2,018	2,220	2,623	2,866	2,623	2,866
XM	2,074	2,282	2,699	2,945	2,699	2,945

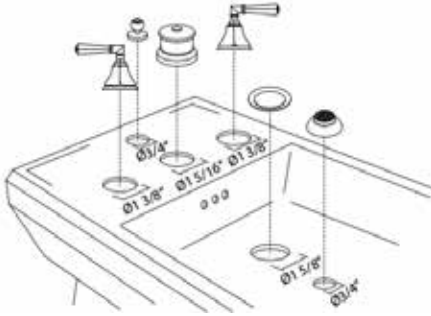


- Single-function brass handshower with metal insert
- 9 GPM at 60 PSI
- Matching lavatory faucet A1908

A1960 Palladian® 5-Hole Bidet Faucet

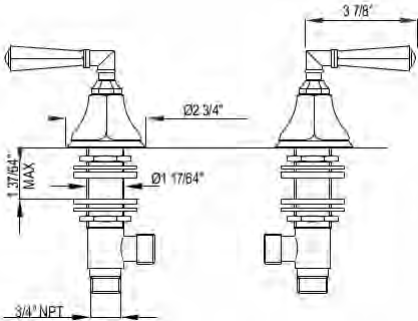
Suggested Retail Price

Handle	APC	PN	STN	IB	TCB
LM	1,990	2,353	2,580	2,760	2,846
XM	2,080	2,443	2,703	2,883	2,969

**A7922 Palladian® Set Of Hot & Cold 3/4" Sidevalves**

Suggested Retail Price

Handle	APC	PN	STN	IB	TCB
LM	886	975	1,194	1,258	1,258
XM	972	1,069	1,311	1,380	1,380

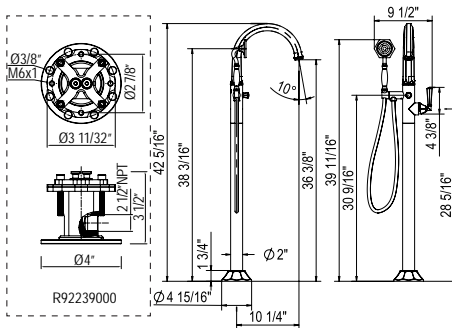


- For use on bathtubs with integrated tub spouts
- Hose not included. Order C7089.6034NSF 3/4" x 3/4" NPSM connection. Order two for a set

N1987 Palladian® Single Leg Floor Mount Tub Filler

Suggested Retail Price

Handle	APC	PN	STN	IB
LM	1,989	2,244	2,550	2,826

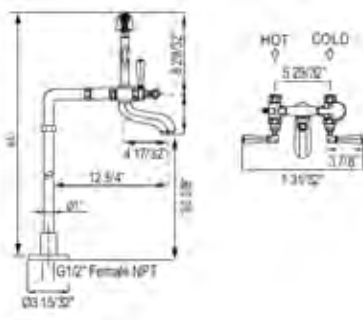


- Rough valve sold separately
— Order R922390000 floor rough valve: \$547
- 8-10 GPM flow rate at 60 PSI for tub filler
- Remote thermostatic valve may be needed; verify local code requirements

AKIT1901N Palladian® Exposed Floor Mount Tub Filler With Handshower And Floor Pillar Legs Or Supply Unions

Suggested Retail Price

Handle	APC	PN	STN	IB	TCB
LM	2,882	3,153	3,884	4,351	4,159
XM	2,938	3,215	3,959	4,429	4,237



- 8 GPM at 60 PSI
- Floor legs cannot be cut down
- Kit includes:
— ZA386 floor legs
— A1901N
- 2" straight union extensions available, order part # C7205EXT+FINISH for a set of two.



APC



PN



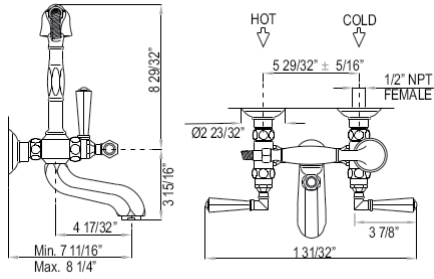
STN



TCB



SUB



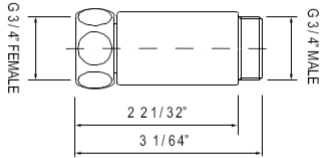
A1901 Palladian® Exposed Tub Filler With Handshower

Suggested Retail Price

Handle	APC	PN	STN	IB	TCB
LM	1,528	1,681	1,992	2,171	2,171
XM	1,584	1,743	2,067	2,249	2,249



- If the deck unions AR00380 or the floor pillar legs ZA386 are used, you MUST include the adaptor C5574EXT. Please allow for an extra 2 5/8" in the length. This may affect your rough-in dimensions.
- Spout reach min. 7 11/16", max. 8 1/4"
- 2" straight union extensions available, order part # C7205EXT+FINISH for a set of two.



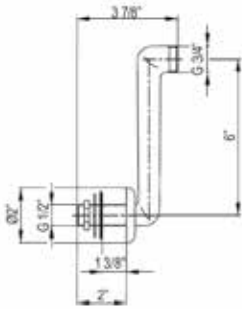
C5574EXT Union Adaptors — Set Of 2

Suggested Retail Price

APC	PN	STN	IB	TCB
170	170	218	218	218



- Allow for an extra 2 5/8" in length. This may affect your rough-in dimensions.



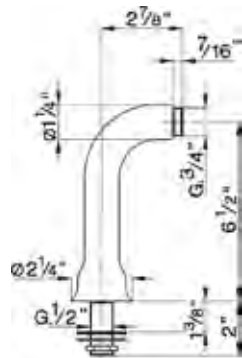
ZZ9353502 Cast Iron Tub Unions — Set Of 2

Suggested Retail Price

APC	PN	STN	IB	TCB
468	491	601	601	601



- Order C5574EXT for use with A1401, A1901, A2701



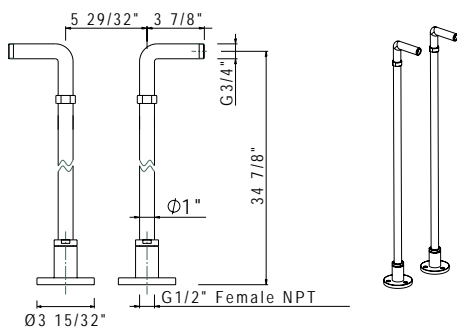
AR00380 Deck Unions — Set Of 2

Suggested Retail Price

APC	PN	STN	IB	TCB
533	560	682	682	682



- Order C5574EXT for use with A1401, A1901, A2701



ZA386 Floor Pillar Legs Or Supply Unions - Set Of 2

Suggested Retail Price

APC	PN	STN	IB	TCB
1,184	1,302	1,674	1,962	1,770



- Cannot be cut down
- Alternative heights available by special order. Please contact ROHL Customer Care.
- Extra horizontal reach union adaptors available, order C5574EXT
- Optional support bracket or stanchion not included with floor legs, order separately as ZZ940830 with finish

ACQUI

ARCANA

BELLIA

CAMPO

ECLISSI

GRACELINE

LOMBARDIA

MEDA

MISCELO

PALLADIAN

QUARTLIE



LM



XM



LC



KC

ACQUI

ARCANA

BELLIA

CAMPO

ECLISSI

GRACELINE

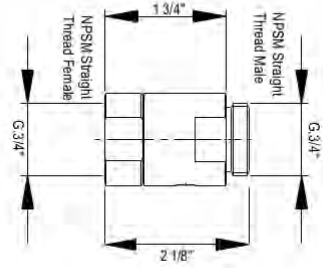
LOMBARDIA

MEDA

MISCELO

PALLADIAN

QUARTLIE

**ZA1038402** Decorative Shut-Off Valve For Floor Legs

- Fits ZA386 floor pillar legs
- Order two for a set

Suggested Retail Price

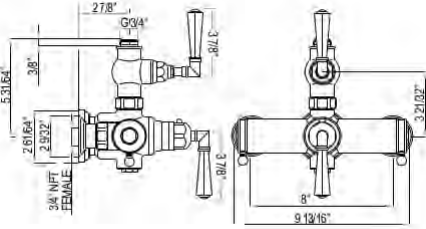
APC	PN	STN	IB	TCB
199	209	255	255	255

A4817 Palladian® 3/4" Exposed Thermostatic Valve**Suggested Retail Price**

Handle	APC	PN	STN	IB	TCB
LM	2,452	2,697	3,065	3,482	3,482
XM	2,507	2,758	3,134	3,559	3,559



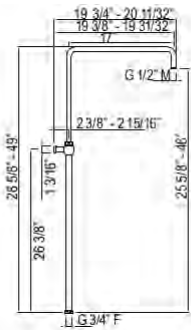
- 16 GPM at 45 PSI
- Must order 1560 or 1565 riser to connect to outlet

**1565** Riser Without Diverter**Suggested Retail Price**

APC	PN	STN	IB	TCB
781	781	1,015	1,065	1,015



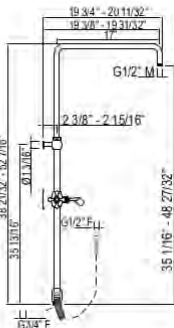
- Adjustable height. Upper riser can recess into lower riser and swivel.
- Must order showerhead separately
- Cannot be cut

**1560** Riser With Diverter, Hose And Sliding Handshower Holder**Suggested Retail Price**

APC	PN	STN	IB	TCB
1,280	1,280	1,701	1,788	1,701



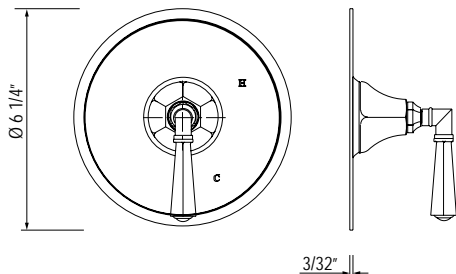
- Adjustable height. Upper riser can recess into lower riser and swivel.
- Must order showerhead and handshower separately

**A1910** Palladian® 1/2" Pressure Balance Trim Without Diverter**Suggested Retail Price**

Handle	APC	PN	STN	IB	TCB
LM	491	537	627	711	670
XM	548	600	703	792	751



- Rough valve sold separately
- Order RCT-1 1/2" pressure balance rough valve: \$203





APC



PN



STN

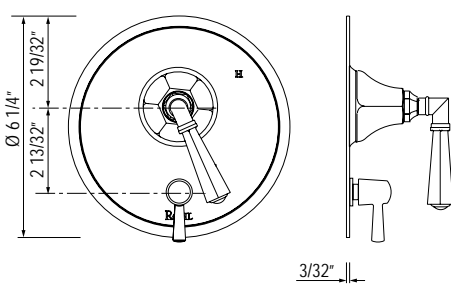


TCB



SUB

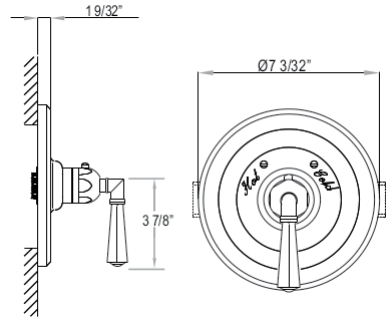
ACQUI

**A2910N Palladian® 1/2" Pressure Balance Trim With Diverter****Suggested Retail Price**

Handle	APC	PN	STN	IB	TCB
LM	563	609	705	821	756
XM	620	672	781	902	837

- Rough valve sold separately
— Order RDD-2 1/2" pressure balance rough valve: \$326

ARCANA

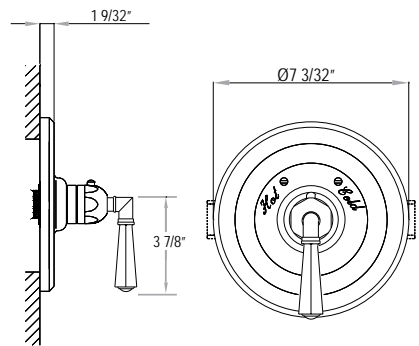
**A4814 Palladian® 3/4" Thermostatic Trim Without Volume Control****Suggested Retail Price**

Handle	APC	PN	STN	IB	SUB	TCB
LM	591	650	764	840	764	840
XM	647	712	839	920	839	920

- Rough valve sold separately
— Order 1005N 3/4" thermostatic rough valve: \$369

BELLIA

CAMPO

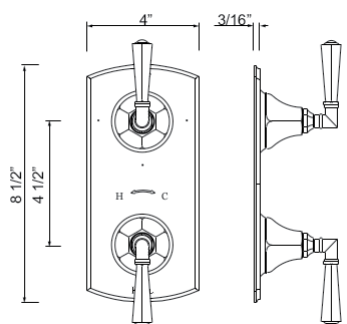
**A4914 Palladian® 3/4" Thermostatic Trim Without Volume Control****Suggested Retail Price**

Handle	APC	PN	STN	IB	TCB
LH	579	637	723	822	822

- Rough valve sold separately
— Order 1005N 3/4" thermostatic rough valve: \$369

ECLISSI

GRACELINE

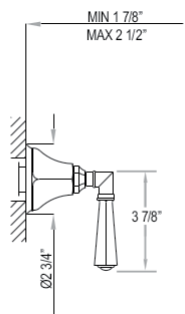
**A4864 Palladian® 1/2" Thermostatic Trim with Diverter****Suggested Retail Price**

Handle	APC	PN	STN	SUB	TCB
LM	867	937	1,093	1,093	1,179
XM	981	1,063	1,245	1,245	1,341

- Rough valve sold separately
— Order R1051BV 1/2" thermostatic 1 function rough valve: \$448
— Order R1052BD 1/2" thermostatic 2 function rough valve: \$449
— Order R1053BD 1/2" thermostatic 3 function rough valve: \$524
— Order R1055BD 1/2" thermostatic 5 function rough valve: \$524

LOMBARDIA

MEDA

**A4812 Palladian® Trim For Volume Controls And Diverter****Suggested Retail Price**

Handle	APC	PN	STN	IB	SUB	TCB
LM	343	378	445	488	445	488
XM	400	441	521	569	521	569

- Rough valve sold separately
— Order R1040R 3/4" volume control rough valve: \$160
— Order R1062BO 4-port, 3-way dedicated diverter rough valve: \$319

MISCELO

PALLADIAN

QUARTLIE



LM



XM



LC



KC

ACQUI

ARCANA

BELLIA

CAMPO

ECLISSI

GRACELINE

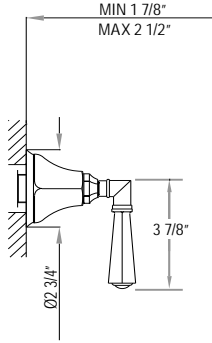
LOMBARDIA

MEDA

MISCELO

PALLADIAN

QUARTLIE



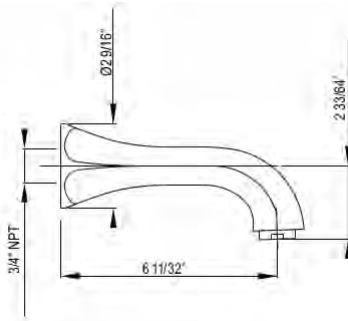
A4912TO Palladian® Trim For Volume Control And 4-Port Dedicated Diverter



Suggested Retail Price

Handle	APC	PN	STN	IB	TCB
LH	336	369	420	477	477

- Rough valve sold separately
 - Order R1040R 3/4" volume control rough valve: \$160
 - Order R1062BO 4-port, 3-way dedicated diverter rough valve: \$319



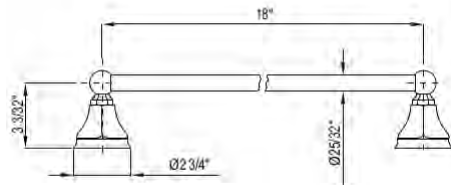
A1803 Palladian® Wall Mount Tub Spout



Suggested Retail Price

APC	PN	STN	IB	SUB	TCB
207	228	264	293	264	293

- If 1/2" required, you may purchase a 3/4" x 1/2" nipple at any hardware store



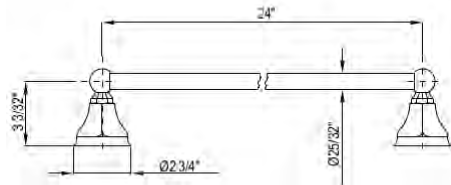
A6886/18 Palladian® Wall Mount 18" Single Towel Bar



Suggested Retail Price

APC	PN	STN	IB	SUB	TCB
496	496	644	644	644	644

- May be cut to length required



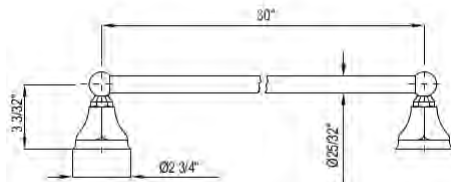
A6886/24 Palladian® Wall Mount 24" Single Towel Bar



Suggested Retail Price

APC	PN	STN	IB	SUB	TCB
517	517	673	673	673	673

- May be cut to length required



A6886/30 Palladian® Wall Mount 30" Single Towel Bar



Suggested Retail Price

APC	PN	STN	IB	TCB
549	549	709	709	709

- May be cut to length required



APC



PN



STN

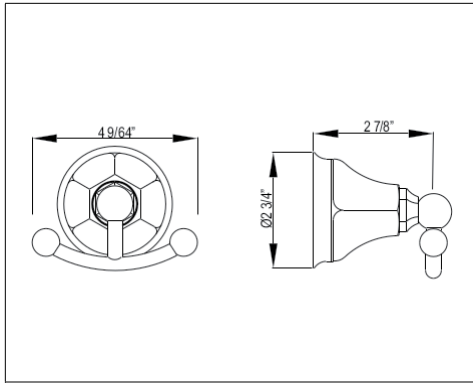


TCB



SUB

ACQUI

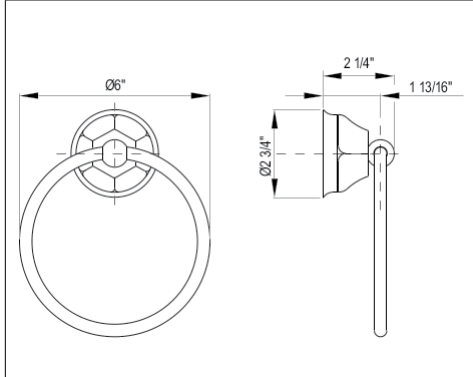
**A6881 Palladian® Wall Mount Double Robe Hook**

Suggested Retail Price

APC	PN	STN	IB	SUB	TCB
324	324	417	417	417	417



ARCANA

**A6885 Palladian® Wall Mount Towel Ring**

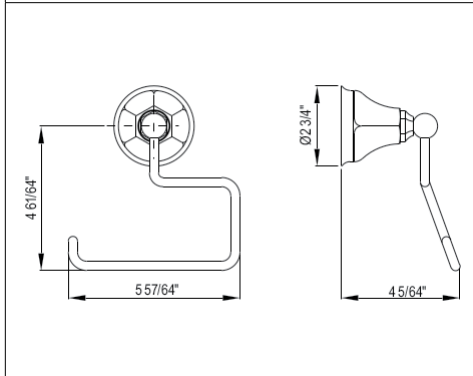
Suggested Retail Price

APC	PN	STN	IB	SUB	TCB
324	324	417	417	417	417



BELLIA

CAMPO

**A6892 Palladian® Wall Mount Open Toilet Paper Holder**

Suggested Retail Price

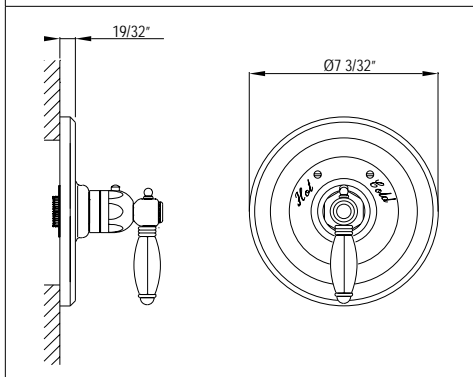
APC	PN	STN	IB	SUB	TCB
359	359	464	464	464	464

- Accommodates oversized TP rolls



ECLISSI

GRACELINE

**A4914LH Palladian® 3/4" Thermostatic Trim Without Volume Control**

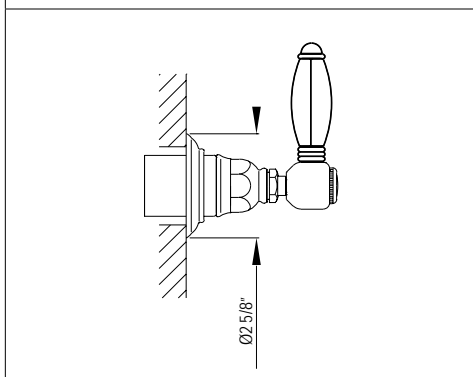
Suggested Retail Price

Handle	APC	PN	STN	IB	TCB
LH	579	637	723	822	822



LOMBARDIA

MEDA

**A4912LH Palladian® Trim For Volume Controls And Diverters**

Suggested Retail Price

Handle	APC	PN	STN	IB	TCB
LH	336	369	420	477	477



MISCELO

PALLADIAN

QUARTLIE



LM



XM



LC



KC

ACQUI

ARCANA

BELLIA

CAMPO

ECLISSI

GRACELINE

LOMBARDIA

MEDA

MISCELO

PALLADIAN

QUARTLIE

**PRESSURE BALANCE SHOWER OPTION 1****Suggested Retail Price**

Model	Description	Polished Chrome
A1910	Trim	491
B00102	Handshower	149
1230	Handshower Bar	787
1295	Outlet	99
16295	Hose	51
RCT-1	Rough	203
Total Package List Price With Roughs		1,780

Note: Sample configuration priced in Polished Chrome. Other configurations and finishes available. Complete your Shower experience by including one of our decorative drain options.

PRESSURE BALANCE SHOWER OPTION 2**Suggested Retail Price**

Model	Description	Polished Chrome
A2910	Trim	563
BI00701	Showerhead	491
1120/12	Shower Arm	70
B00102	Handshower	149
D800	Handshower Bar	376
1295	Outlet	99
16295	Hose	51
RDD-2	Rough	326
Total Package List Price With Roughs		2,125

Note: Sample configuration priced in Polished Chrome. Other configurations and finishes available. Complete your Shower experience by including one of our decorative drain options.





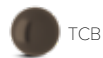
APC



PN



STN



TCB



SUB

ACQUI

ARCANA

BELLIA

CAMPO

ECLISSI

GRACELINE

LOMBARDIA

MEDA

MISCELO

PALLADIAN

QUARTLIE

**1/2" THERMOSTATIC SHOWER OPTION 1**

Model	Description	Suggested Retail Price
		Polished Chrome
A4864	Trim	867
BI00701	Showerhead	491
1120/12	Shower Arm	70
B00102	Handshower	149
1230	Handshower Bar	787
1295	Outlet	99
16295	Hose	51
R1055BD	Rough	524
Total Package List Price With Roughs		3,038
R1052BD	Rough (No Share)	449
Total Package List Price With Roughs		2,963

Note: Sample configuration priced in Polished Chrome. Other configurations and finishes available. Complete your Shower experience by including one of our decorative drain options.

**1/2" THERMOSTATIC SHOWER OPTION 2**

Model	Description	Suggested Retail Price
		Polished Chrome
A4864	Trim	867
BI00701	Showerhead	491
1120/12	Shower Arm	70
SLM03	Ceiling Showerhead	704
1505/3	Ceiling Shower Arm	107
B00102	Handshower	149
1230	Handshower Bar	787
1295	Outlet	99
16295	Hose	51
R1055BD	Rough	524
Total Package List Price With Roughs		3,849
R1053BD	Rough (No Share)	524
Total Package List Price With Roughs		3,849

Note: Sample configuration priced in Polished Chrome. Other configurations and finishes available. Complete your Shower experience by including one of our decorative drain options.



LM



XM



LC



KC

ACQUI

ARCANA

BELLIA

CAMPO

ECLISSI

GRACELINE

LOMBARDIA

MEDA

MISCELO

PALLADIAN

QUARTLIE

**1/2" THERMOSTATIC SHOWER OPTION 3****Suggested Retail Price**

Model	Description	Polished Chrome
A4864	Trim	867
BI00701	Showerhead	491
1120/12	Shower Arm	70
B00102	Handshower	149
CD8000	Handshower Bracket	149
16295	Hose	51
A1803	Tub Spout	207
R1055BD	Rough	524
Total Package List Price With Roughs		2,508
R1053BD	Rough (No Share)	524
Total Package List Price With Roughs		2,508

Note: Sample configuration priced in Polished Chrome. Other configurations and finishes available. Complete your Shower experience by including one of our decorative drain options.

3/4" THERMOSTATIC SHOWER OPTION 1**Suggested Retail Price**

Model	Description	Polished Chrome
A4814	Trim	591
BI00701	Showerhead	491
1120/12	Shower Arm	70
B00102	Handshower	149
1230	Handshower Bar	787
1295	Outlet	99
16295	Hose	51
A4812 (x3)	Volume Controls (x3)	343
24995 (x2)	Body Sprays (x2)	369
1005N	Rough	369
R1040R (x3)	Volume Control Rough (x3)	160
Total Package List Price With Roughs		4,854

Note: Sample configuration priced in Polished Chrome. Other configurations and finishes available. Complete your Shower experience by including one of our decorative drain options.

QUARTILE™

Authentically Crafted in Italy

The four-sided design of the Quartile™ Collection is attenuated, creating a line that is sharp and slender. Inspired by the cubic architecture of the Università Luigi Bocconi in Milan, the squared-off shape brings a contemporary European flair. Designed and made in Italy, the form is confidently current.



Handle Options



*Metal Lever
L*

Available Finishes:



*Polished Chrome
APC*



*Polished Nickel
PN*



*Satin Nickel
STN*

See product page for available finishes

CU51LAPC

ACQUI

ARCANA

BELLIA

CAMPO

ECLISSI

GRACELINE

LOMBARDIA

MEDA

MISCELO

PALLADIAN

QUARTILE

SERIES HIGHLIGHTS

ACQUI

ARCANA

BELLIA

CAMPO

ECLISSI

GRACELINE

LOMBARDIA

MEDA

MISCELO

PALLADIAN

QUARTLIE

FAUCETS



CU51
page 280



CUC49
page 280



CUC102
page 280



CU102
page 280



CU351
page 281

TUB FILLERS



CUKIT2122
page 283



CUKIT2121N
page 284



ZA219
page 285



CU24
page 284

SHOWER TRIMS



CU110
page 285



CU210N
page 285



CU720HB
page 285



CU390L
page 285

SHOWER PACKAGES

PRESSURE BALANCE

1/2" THERMOSTATIC

3/4" THERMOSTATIC



page 289



page 289



page 290



page 290



page 291



page 291



OTHER CONSIDERATIONS

See product page for available finishes.



I00625
page 338



SLM05
page 375



WA1319
page 377



I00597
page 374



1510/3
page 384



C7139
page 386



B00177
page 389



SDPVC2/3-3142
page 373



D19000/3
page 352



1266
page 360



L00362
page 390



L0095KIT1
page 390

SHOWER



QU102
page 286



QU420
page 287



QU220
page 286



QU710
page 287

ACCESSORIES



U.2830
Perrin & Rowe® Price Book



SB1814
Shaws® Price Book



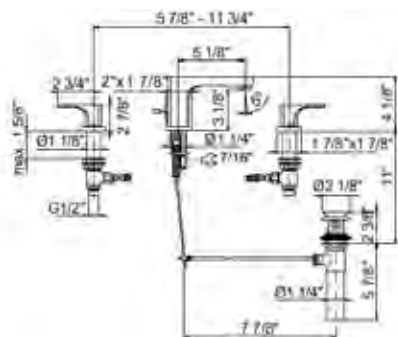
NAPOLI 57
Victoria + Albert® Price Book



NAPOLI
Victoria + Albert® Price Book

BATH FIXTURES





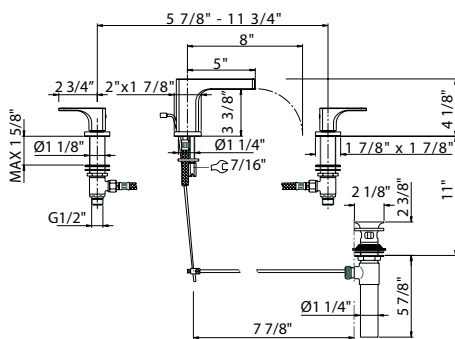
CU102 Quartile™ High Neck Widespread Lavatory Faucet

Suggested Retail Price

Handle	APC	PN	STN
L	848	957	1,155



• 1.2 GPM



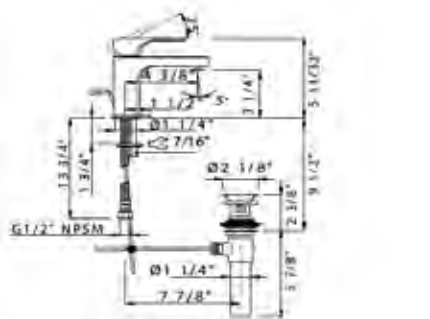
CUC102 Quartile™ Cascade Open Spout Deck Mount Widespread Lavatory Faucet

Suggested Retail Price

Handle	APC	PN	STN
L	995	1,099	1,244



• 1.2 GPM



CU51 Quartile™ Single Handle Lavatory Faucet

Suggested Retail Price

Handle	APC	PN	STN
L	594	659	826



• 1.2 GPM



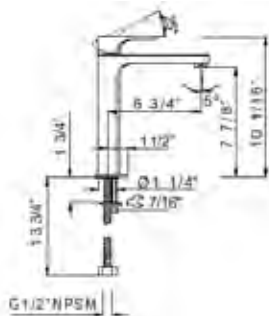
CUC49 Quartile™ Cascade Waterfall Spout Single Hole Lavatory Faucet

Suggested Retail Price

Handle	APC	PN	STN
L	738	821	989



• 1.2 GPM



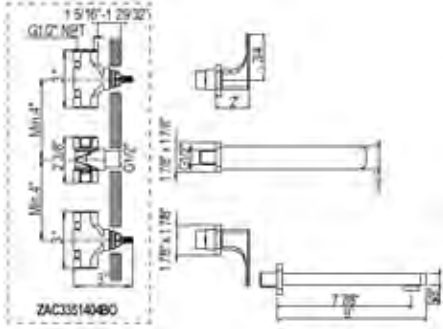
CU354 Quartile™ Single Handle Tall Lavatory Faucet

Suggested Retail Price

Handle	APC	PN	STN
L	772	865	1,032



• 1.2 GPM
• Drain assembly not included with faucet. Must order drain to complete.



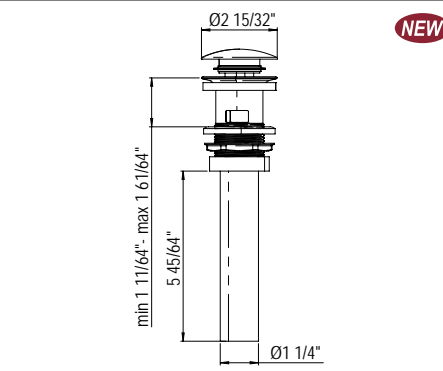
CU351 Quartile™ Wall Mount Widespread Lavatory Faucet

Suggested Retail Price

Handle	APC	PN	STN
L	539	642	1,036



- Rough valve sold separately
— Order ZAC3351104B0 wall rough valve: \$267
- 1.2 GPM aerator
- Drain assembly not included with faucet. Must order drain to complete.
- 13/16" extension kit is ZA10055004, set of two pieces to extend both hot and cold valves: \$115



NEW

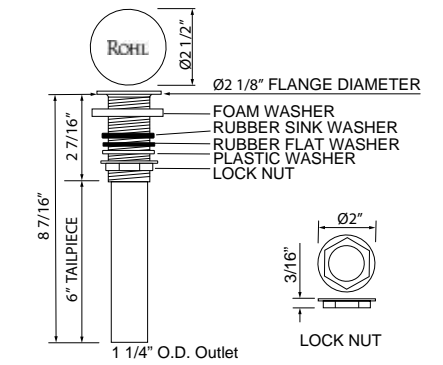
CC2310FWO Touch Seal Dome Drain for Overflow and No-Overflow Sinks

Suggested Retail Price

APC	STN	MB	SG
128	160	166	182



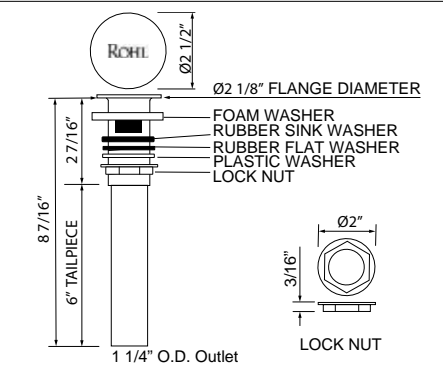
- Available: Summer 2020



5445 Touch Seal Dome Drain With 6" Tailpiece for No-Overflow Sinks

Suggested Retail Price

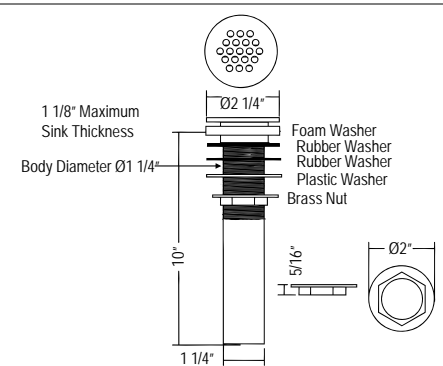
APC	PN	STN
277	277	277



5447 Slotted Touch Seal Dome Drain With 6" Tailpiece for Overflow Sinks

Suggested Retail Price

APC	PN	STN
277	277	277

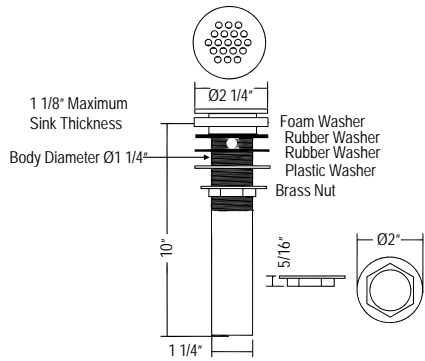


6442 Non Slotted Grid Drain for No-Overflow Sinks

Suggested Retail Price

APC	PN	STN
249	249	249



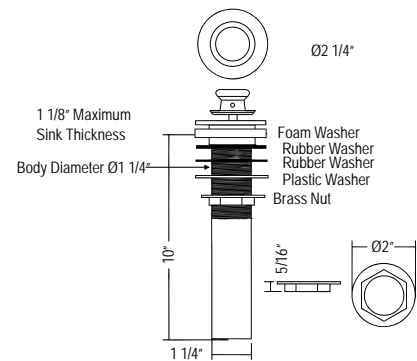


7444 Grid Drain for Overflow Sinks



Suggested Retail Price

APC	PN	STN
249	249	249

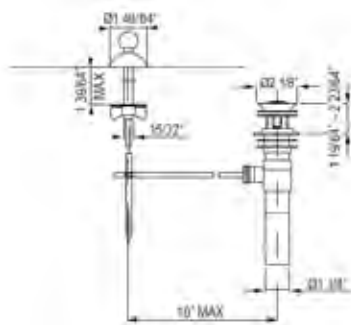


8446 Lift And Turn Drain for No-Overflow Sinks



Suggested Retail Price

APC	PN	STN
281	281	281



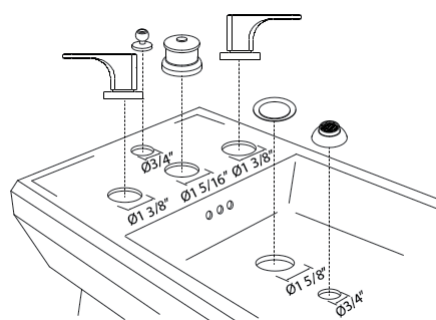
CNZREMOTE Remote Pop-Up Set



Suggested Retail Price

APC	PN	STN
198	198	310

- Not for use with vessel bowls or bowls without overflow

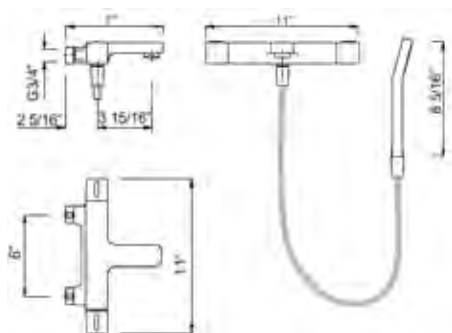


CU595 Quartile™ 5-Hole Bidet Faucet



Suggested Retail Price

Handle	APC	PN	STN
L	1,609	2,018	2,096



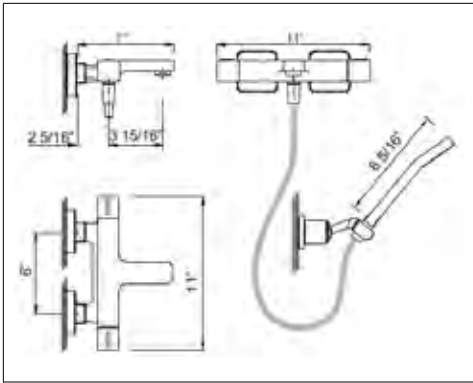
CU212 Quartile™ Exposed Thermostatic Tub Filler With Handshower



Suggested Retail Price

Handle	APC	PN	STN
HB	995	1,103	1,329

- 5.5 GPM at 60 PSI from tub spout; 1.8 GPM single function handshower
- Must order separate floor legs, wall unions or deck unions to complete



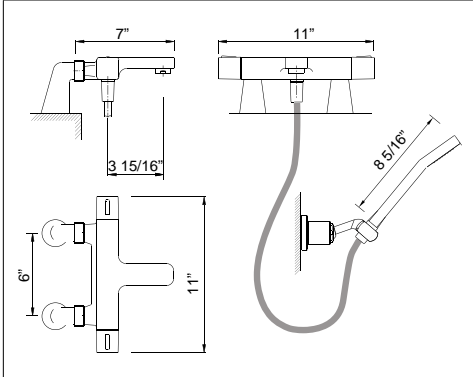
CUKIT2123 Quartile™ Wall Mount Exposed Thermostatic Tub Filler With Wall Mount Handshower

Suggested Retail Price

Handle	APC	PN	STN
HB	1,320	1,486	1,814



- 1.8 GPM ABS construction single function handshower, 5.5 GPM @ 60 PSI for tub spout
- Kit includes:
 - CU212HB exposed thermostatic bathtub/shower mixer with handshower and hose
 - ZZ9841802 eccentric wall unions
 - ZZ9841702 wall mount handshower holder



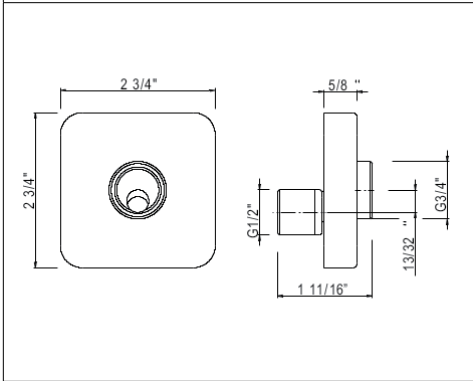
CUKIT2122 Quartile™ Deck Mount Exposed Thermostatic Tub Filler With Wall Mount Handshower

Suggested Retail Price

Handle	APC	PN	STN
HB	1,427	1,601	1,956



- 1.8 GPM ABS construction single function handshower, 5.5 GPM @ 60 PSI for tub spout
- Kit includes:
 - CU212HB exposed thermostatic bathtub/shower mixer with handshower and hose
 - ZA1037902 deck unions
 - ZZ9841702 wall mount handshower holder



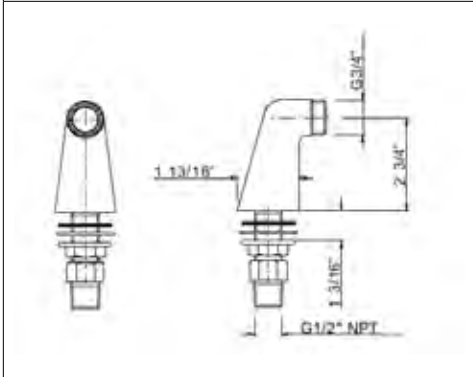
ZZ9841802 Quartile™ Wall Unions - Set Of 2

Suggested Retail Price

APC	PN	STN
94	116	145



- For wall applications of exposed thermostatic bathtub/shower mixer CU212HB



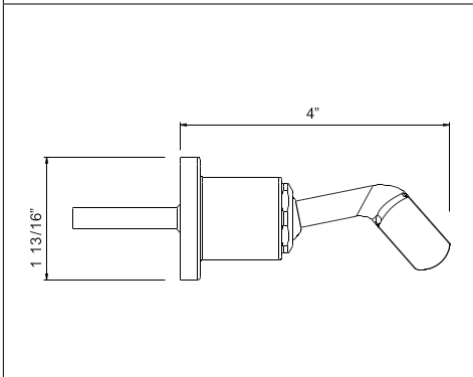
ZA1037902 Meda™ Deck Unions - Set Of 2

Suggested Retail Price

APC	PN	STN
201	231	287



- For deck applications of exposed thermostatic bathtub/shower mixer CU212HB or LV211L



ZZ9841702 Meda™ Wall Mount Handshower Holder

Suggested Retail Price

APC	PN	STN
231	267	340



- Bracket for use with exposed thermostatic bathtub/shower mixer CU212HB or LV211L to provide a wall mount hook holder for the handshower/hose

ACQUI

ARCANA

BELLIA

CAMPO

ECLISSI

GRACELINE

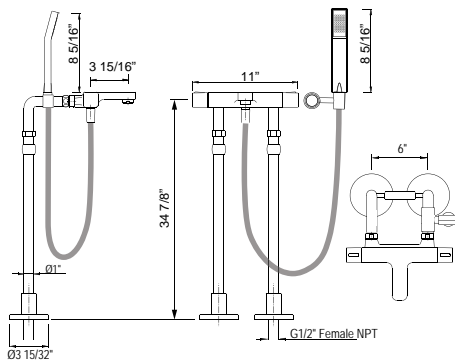
LOMBARDIA

MEDA

MISCELO

PALLADIAN

QUARTILE



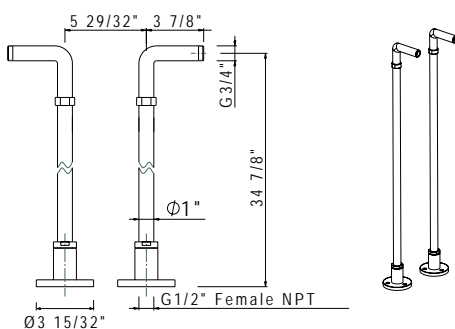
CUKIT2121N Quartile™ Exposed Thermostatic Tub Filler With Handshower And Floor Pillar Legs Or Supply Unions

Suggested Retail Price

Handle	APC	PN	STN
HB	2,351	2,604	3,253



- 1.8 GPM ABS construction single function handshower, 5.5 GPM @ 60 PSI for tub spout
- Decorative shut-offs available.
- Kit includes:
 - CU212HB exposed thermostatic bathtub/shower mixer with handshower and hose
 - ZA386 floor pillar legs
 - ZZ9826502 floor leg mount handshower holder



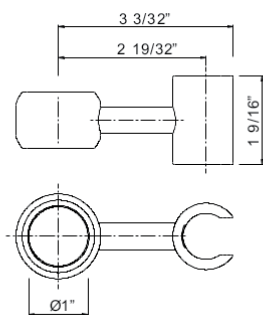
ZA386 Floor Pillar Legs Or Supply Unions - Set Of 2

Suggested Retail Price

APC	PN	STN
1,184	1,302	1,674



- Cannot be cut down
- Alternative heights available by special order. Please contact ROHL Customer Care.
- Extra horizontal reach union adaptors available, order C5574EXT
- Optional support bracket or stanchion not included with floor legs, order separately as ZZ940830 with finish



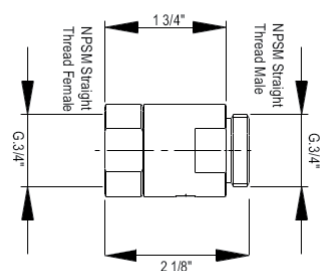
ZZ9826502 Meda™ Floor Leg Mount Handshower Holder

Suggested Retail Price

APC	PN	STN
172	199	250



- Bracket for use with exposed thermostatic bathtub/shower mixer CU212HB or LV211L to provide a ZA386 floor leg mount holder for the handshower/hose



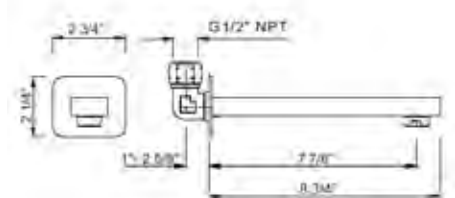
ZA1038402 Decorative Shut-Off Valve For Floor Legs

Suggested Retail Price

APC	PN	STN
199	209	255



- Fits ZA386 floor pillar legs
- Order two for a set



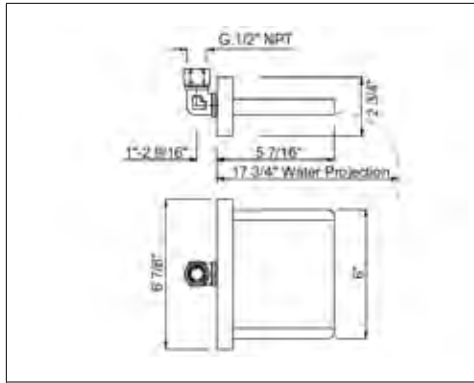
CU24 Quartile™ Wall Mount Tub Spout

Suggested Retail Price

APC	PN	STN
272	299	349



- 6 GPM
- Spout connection requires special rough fitting to be installed before the finished wall is complete. Spout connection and rough for wall valve are an integrated assembly. Do not set finish wall until the rough assembly is installed.



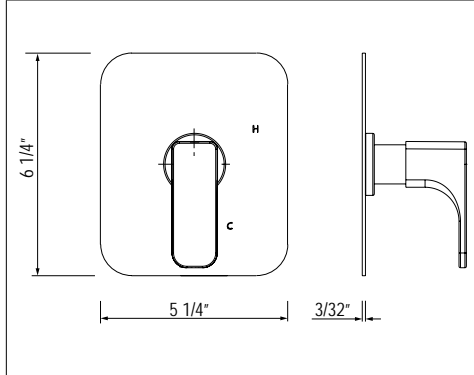
ZA219 Quartile™ Cascade Waterfall Wall Mount Tub Spout

Suggested Retail Price

APC	PN	STN
1,240	1,364	1,550



- 6 GPM
- Spout connection requires special rough fitting to be installed before the finished wall is complete. Spout connection and rough for wall valve are an integrated assembly. Do not set finish wall until the rough assembly is installed.



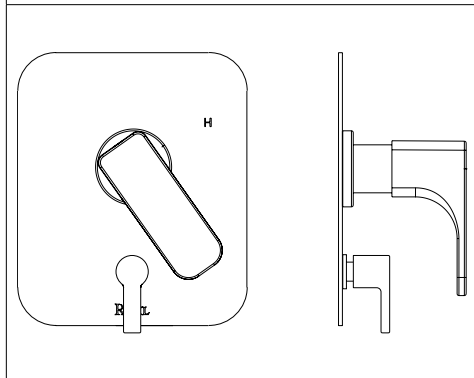
CU110 Quartile™ 1/2" Pressure Balance Trim Without Diverter

Suggested Retail Price

Handle	APC	PN	STN
L	393	432	521



- Rough valve sold separately
 - Order RCT-1/2" pressure balance rough valve: \$203



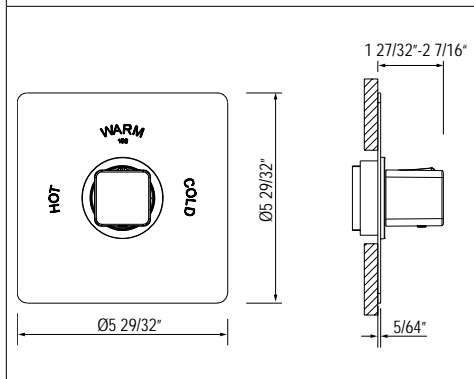
CU210N Quartile™ 1/2" Pressure Balance Trim With Diverter

Suggested Retail Price

Handle	APC	PN	STN
L	465	503	616



- Rough valve sold separately
 - Order RDD-2 1/2" pressure balance rough valve: \$326



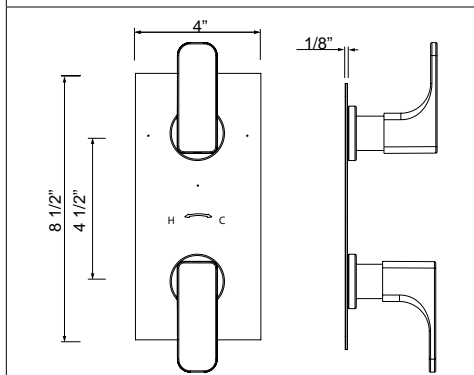
CU720HB Quartile™ 3/4" Thermostatic Trim Without Volume Control

Suggested Retail Price

Handle	APC	PN	STN
HB	316	347	420



- Rough valve sold separately
 - Order 1005N 3/4" thermostatic rough valve: \$369



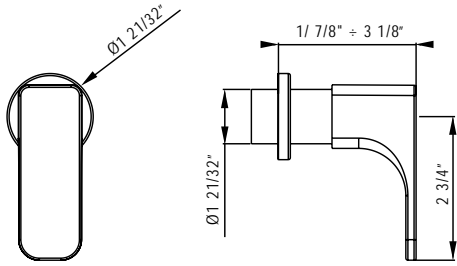
CU390L Quartile™ 1/2" Thermostatic Trim with Diverter

Suggested Retail Price

Handle	APC	PN	STN
L	658	708	534



- Rough valve sold separately
 - Order R1051BV 1/2" thermostatic 1 function rough valve: \$448
 - Order R1052BD 1/2" thermostatic 2 function rough valve: \$449
 - Order R1053BD 1/2" thermostatic 3 function rough valve: \$524
 - Order R1055BD 1/2" thermostatic 5 function rough valve: \$524



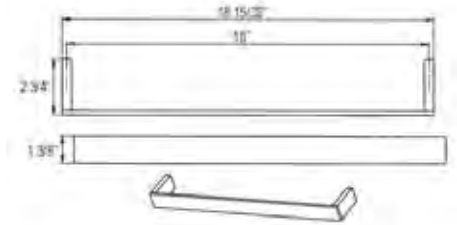
CU195 Quartile™ Trim For Volume Control And Diverter



- Rough valve sold separately
 - Order R1040R 3/4" volume control rough valve: \$160
 - Order R1062BO 4-port, 3-way dedicated diverter rough valve: \$319

Suggested Retail Price

Handle	APC	PN	STN
L	250	275	359



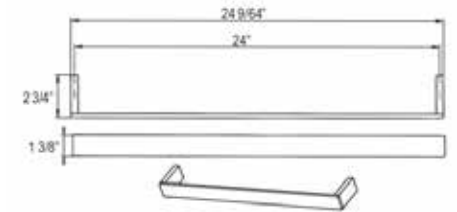
QU101 Quartile™ Wall Mount 18" Single Towel Bar



- Cannot be cut

Suggested Retail Price

APC	PN	STN
270	297	310



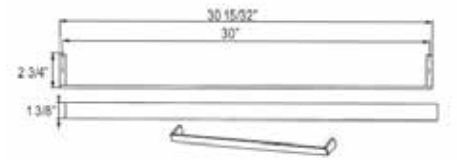
QU102 Quartile™ Wall Mount 24" Single Towel Bar



- Cannot be cut

Suggested Retail Price

APC	PN	STN
331	366	370



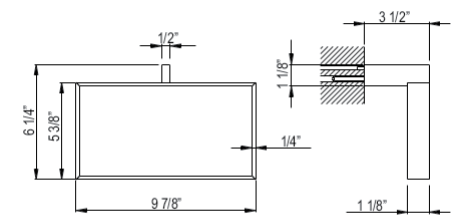
QU103 Quartile™ Wall Mount 30" Single Towel Bar



- Cannot be cut

Suggested Retail Price

APC	PN	STN
455	479	500



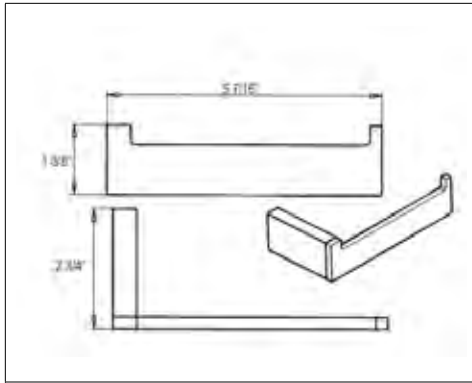
QU220 Quartile™ Wall Mount Rectangular Towel Holder Ring



- Optional 2" x 1 1/4" rectangular wall escutcheon or back plate QU220BP available for added wall support, contact ROHL Customer Care

Suggested Retail Price

APC	PN	STN
625	631	877



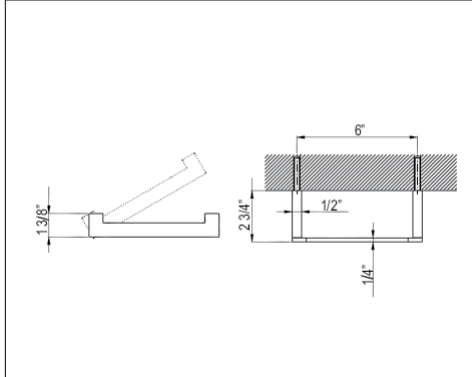
QU400 Quartile™ Wall Mount Toilet Paper Holder

Suggested Retail Price

APC	PN	STN
155	171	179



- Accommodates oversized toilet paper rolls



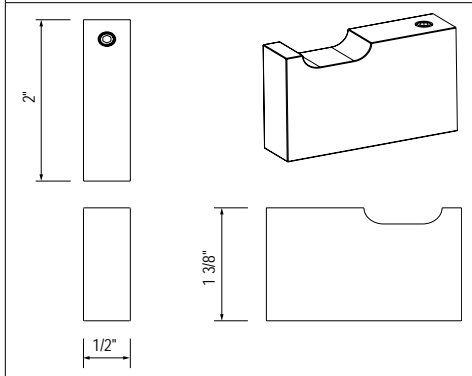
QU420 Quartile™ Wall Mount Swing Arm Toilet Paper Holder With Lift Arm

Suggested Retail Price

APC	PN	STN
288	316	335



- Accommodates oversized toilet paper rolls



QU710 Quartile™ Wall Mount Single Robe/Towel Hook

Suggested Retail Price

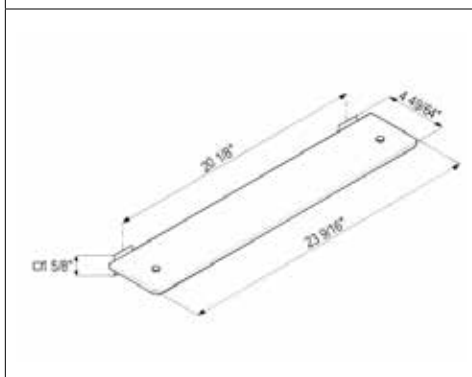
APC	PN	STN
84	93	105



SY300 Lombardia® Wall Mount 24" Hotel Style Towel Shelf

Suggested Retail Price

APC	PN	STN
1,308	1,392	1,823



VIN12 Vincent™ Wall Mount Glass Vanity Shelf

Suggested Retail Price

APC	PN	STN
255	287	304





ACQUI

ARCANA

BELLIA

CAMPO

ECLISSI

GRACELINE

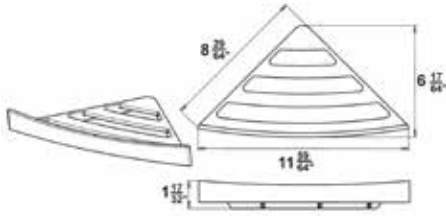
LOMBARDIA

MEDA

MISCELO

PALLADIAN

QUARTLIE

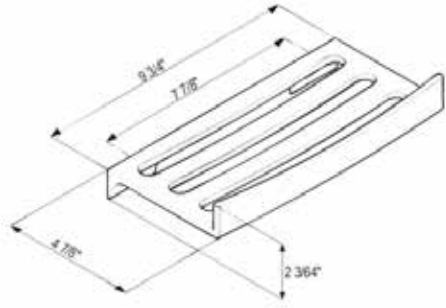


VIN17 Vincent™ Wall Mount Corner Basket



Suggested Retail Price

APC	PN	STN
199	292	303



VIN42 Vincent™ Wall Mount Sponge Holder



Suggested Retail Price

APC	PN	STN
254	325	337



PRESSURE BALANCE SHOWER OPTION 1

Model	Description	Suggested Retail Price
		Polished Chrome
CU110L	Trim	393
B00188	Handshower	109
1650	Handshower Bar	331
1795	Outlet	226
16295	Hose	51
RCT-1	Rough	203
Total Package List Price With Roughs		1,313

Note: Sample configuration priced in Polished Chrome. Other configurations and finishes available. Complete your Shower experience by including one of our decorative drain options.



PRESSURE BALANCE SHOWER OPTION 2

Model	Description	Suggested Retail Price
		Polished Chrome
CU210L	Trim	465
I00597	Showerhead	459
1120/12	Shower Arm	70
B00188	Handshower	109
1650	Handshower Bar	331
1795	Outlet	226
16295	Hose	51
RDD-2	Rough	326
Total Package List Price With Roughs		2,037

Note: Sample configuration priced in Polished Chrome. Other configurations and finishes available. Complete your Shower experience by including one of our decorative drain options.



1/2" THERMOSTATIC SHOWER OPTION 1

Suggested Retail Price

Model	Description	Polished Chrome
CU390L	Trim	658
I00598	Showerhead	599
1120/12	Shower Arm	70
B00188	Handshower	109
1650	Handshower Bar	331
1795	Outlet	226
16295	Hose	51
R1055BD	Rough	524
Total Package List Price With Roughs		2,568
R1052BD	Rough (No Share)	449
Total Package List Price With Roughs		2,493

Note: Sample configuration priced in Polished Chrome. Other configurations and finishes available. Complete your Shower experience by including one of our decorative drain options.

1/2" THERMOSTATIC SHOWER OPTION 2

Suggested Retail Price

Model	Description	Polished Chrome
CU390L	Trim	658
I00598	Showerhead	599
1120/12	Shower Arm	70
SLM06	Ceiling Showerhead	723
1505/6	Ceiling Shower Arm	127
B00188	Handshower	109
1630	Handshower Bracket	138
16295	Hose	51
R1055BD	Rough	524
Total Package List Price With Roughs		2,999
R1053BD	Rough (No Share)	524
Total Package List Price With Roughs		2,999

Note: Sample configuration priced in Polished Chrome. Other configurations and finishes available. Complete your Shower experience by including one of our decorative drain options.



1/2" THERMOSTATIC SHOWER OPTION 3

Model	Description	Suggested Retail Price
		Polished Chrome
CU390L	Trim	658
I00598	Showerhead	599
1120/12	Shower Arm	70
B00188	Handshower	109
1650	Handshower Bar	331
1795	Outlet	226
16295	Hose	51
CU24	Tub Spout	272
Total Package List Price With Roughs		2,840
R1055BD	Rough	524
Total Package List Price With Roughs		2,840
R1053BD	Rough (No Share)	524
Total Package List Price With Roughs		2,840

Note: Sample configuration priced in Polished Chrome. Other configurations and finishes available. Complete your Shower experience by including one of our decorative drain options.

3/4" THERMOSTATIC SHOWER OPTION 1



Model	Description	Suggested Retail Price
		Polished Chrome
CU720HB	Trim	316
I00598	Showerhead	599
1120/12	Shower Arm	70
B00188	Handshower	109
1650	Handshower Bar	331
1795	Outlet	226
16295	Hose	51
CU195L (x3)	Volume Controls (x3)	250
24960 (x2)	Body Sprays (x2)	438
1005N	Rough	369
R1040R (x3)	Volume Control Rough (x3)	160
Total Package List Price With Roughs		4,177

Note: Sample configuration priced in Polished Chrome. Other configurations and finishes available. Complete your Shower experience by including one of our decorative drain options.

NOTES

ACQUI

ARCANA

BELLIA

CAMPO

ECLISSI

GRACELINE

LOMBARDIA

MEDA

MISCELO

PALLADIAN

QUARTLIE

Lined area for notes, consisting of multiple horizontal lines.

SAN GIOVANNI™

Authentically Crafted in Italy

Reminiscent of the main access to Southern Italy, the San Giovanni™ Collection epitomizes the industriousness of this region. In the mid-nineteenth century the area, nicknamed “little Manchester”, housed a large number of fabric spinning mills and industrial pipe factories. The details of this collection are derived from the industrial components of the manufacturing mills. Escutcheons resemble the “nuts and bolts” reflective of mechanical fittings from the late 1800s.



Handle Options



Metal Lever
LM



Cross Handle
XM



Five Spoke Cross Handle
X

Available Finishes:



Polished Chrome
APC



Polished Nickel
PN



Tuscan Brass®
TCB



Satin Nickel
STN

See product page for available finishes

A2328LMPN

SERIES HIGHLIGHTS

FAUCETS



A2328
page 296



A2307
page 296

TUB FILLERS



A2314
page 297



AKIT2302N
page 298



A2302
page 298

SHOWER TRIMS



A2310
page 299



A3310N
page 299



A4923
page 299



A4564
page 299

PRESSURE BALANCE

1/2" THERMOSTATIC

3/4" THERMOSTATIC

SHOWER PACKAGES



page 302



page 302



page 303



page 303



page 304



page 304



OTHER CONSIDERATIONS

See product page for available finishes.



SLM03
page 376



I00180
page 378



I00625
page 338



WI0197
page 378



1505/6
page 385



C7135
page 386



SOF136
page 389



SDPVC2/3-3144
page 408



24995
page 406



1260
page 397



D800/1N
page 395



C72
page 389



A1486LI
page 300



A1492LI
page 301



A1485LI
page 300



A1481
page 301



SB2015
Shaws® Price vBook



U.2240
Perrin & Rowe® Price Book



PEMBROKE 52
Victoria + Albert® Price Book



PEMBROKE
Victoria + Albert® Price Book

SHOWER

ACCESSORIES

BATH FIXTURES



APC



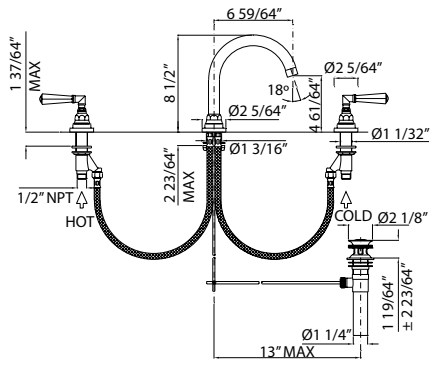
PN



STN



TCB



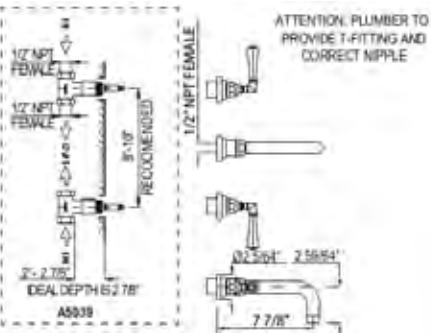
A2328 San Giovanni™ C-Spout Widespread Lavatory Faucet



- Matching tub filler A2314LM
- 1.2 GPM

Suggested Retail Price

Handle	APC	PN	STN	TCB
LM	756	833	1,012	1,075
X	734	807	987	1,042
XM	884	973	1,184	1,255



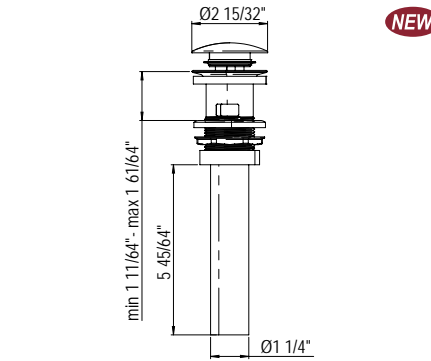
A2307 San Giovanni™ Wall Mount Widespread Lavatory Faucet



- Rough valve sold separately
 - Order A5039L lever wall rough valve: \$185
 - Order A5039X cross wall rough valve: \$185
- Plumber to provide 1/2" male nipple T-fitting for spout installation
- 1.2 GPM aerator
- Drain assembly not included with faucet. Must order drain to complete.

Suggested Retail Price

Handle	APC	PN	STN	TCB
LM	569	569	942	1,069
X	547	547	913	1,038
XM	697	697	1,102	1,252



NEW

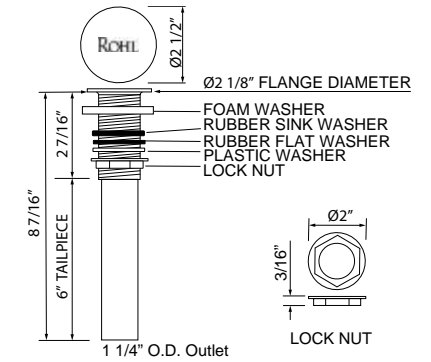
CC2310FWO Touch Seal Dome Drain for Overflow and No-Overflow Sinks



- Available: Summer 2020

Suggested Retail Price

APC	STN	MB	SG
128	160	166	182

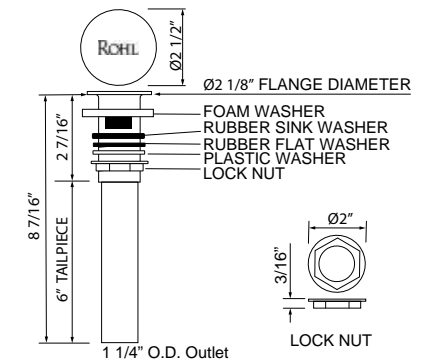


5445 Touch Seal Dome Drain With 6" Tailpiece for No-Overflow Sinks



Suggested Retail Price

APC	PN	STN	TCB
277	277	277	539

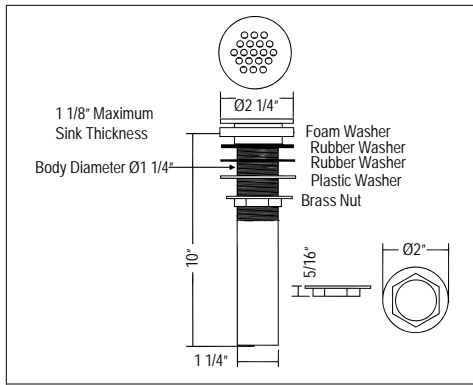
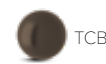


5447 Slotted Touch Seal Dome Drain With 6" Tailpiece for Overflow Sinks



Suggested Retail Price

APC	PN	STN	TCB
277	277	277	539

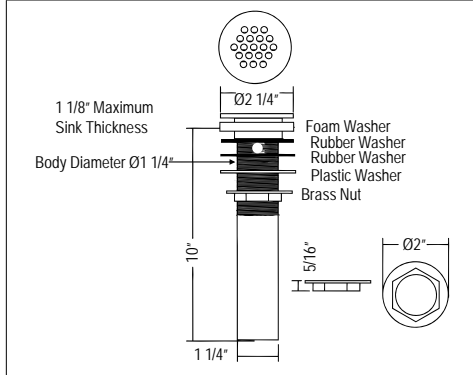


6442 Non Slotted Grid Drain for No-Overflow Sinks



Suggested Retail Price

APC	PN	STN	TCB
249	249	249	426

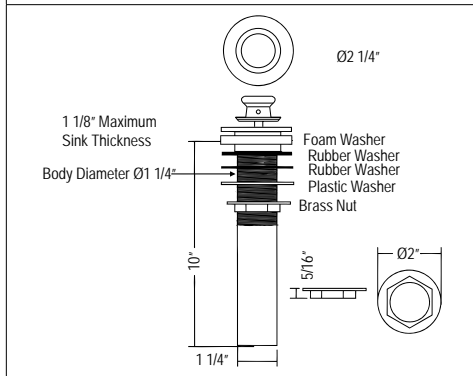


7444 Grid Drain for Overflow Sinks



Suggested Retail Price

APC	PN	STN	TCB
249	249	249	426

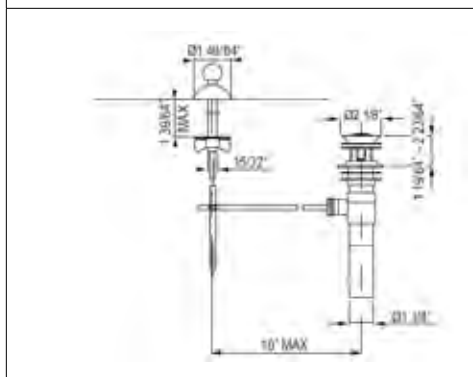


8446 Lift And Turn Drain for No-Overflow Sinks



Suggested Retail Price

APC	PN	STN	TCB
281	281	281	504



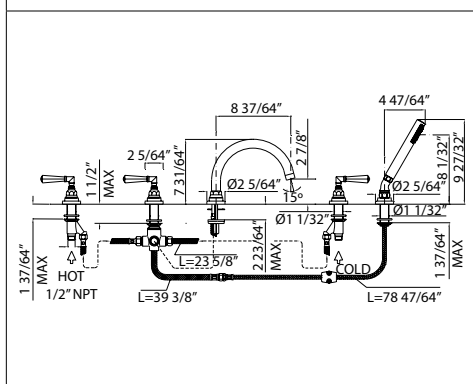
CNZREMOTE Remote Pop-Up Set



Suggested Retail Price

APC	PN	STN	TCB
198	198	310	310

- Not for use with vessel bowls or bowls without overflow



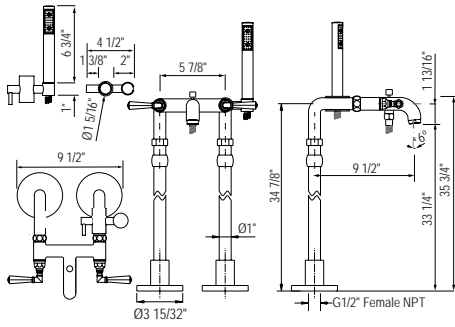
A2314 San Giovanni™ 5-Hole Deck Mount Tub Filler



Suggested Retail Price

Handle	APC	PN	STN	TCB
LM	1,784	1,963	2,390	2,534
X	1,762	1,938	2,361	2,503
XM	1,912	2,104	2,562	2,716

- 4 GPM at 60 PSI
- Matching lavatory faucet A2328LM



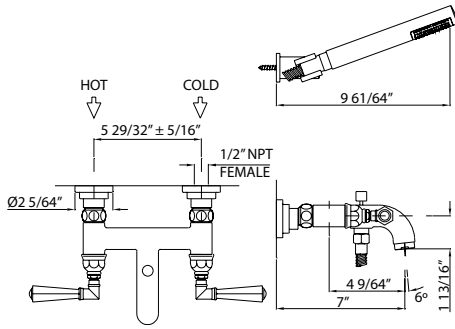
AKIT2302N San Giovanni™ Exposed Floor Mount Tub Filler With Handshower And Floor Pillar Legs Or Supply Unions



Suggested Retail Price

Handle	APC	PN	STN	TCB
LM	2,327	2,445	3,204	3,300
X	2,304	2,422	3,130	3,226
XM	2,454	2,572	3,376	3,472

- 6.6 GPM at 60 PSI
- Floor legs cannot be cut down
- Kit includes:
 - ZA386 floor legs
 - A2302N
- 2" straight union extensions available, order part # C7205EXT+FINISH for a set of two.



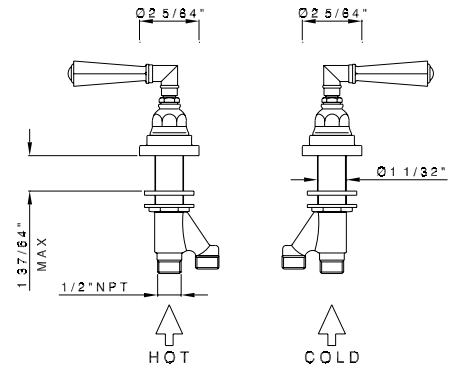
A2302 San Giovanni™ Wall Mount Exposed Tub Filler With Handshower



Suggested Retail Price

Handle	APC	PN	STN	TCB
LM	1,143	1,257	1,530	1,623
X	1,120	1,233	1,456	1,592
XM	1,270	1,398	1,702	1,804

- Wall mount exposed two handle tub filler with handshower holder bracket and single-function ABS handshower
- 6.6 GPM at 60 PSI



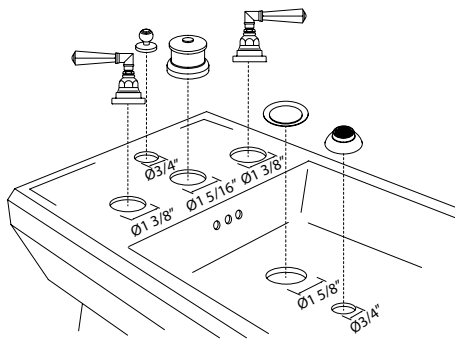
A2311 San Giovanni™ Set Of Hot & Cold 1/2" Sidevalves



Suggested Retail Price

Handle	APC	PN	STN	TCB
LM	603	665	807	857
X	581	639	777	825
XM	730	803	979	1,037

- Hose not included. Order C7089.6012 1/2" x 1/2" NPSM connection. Order two for a set.

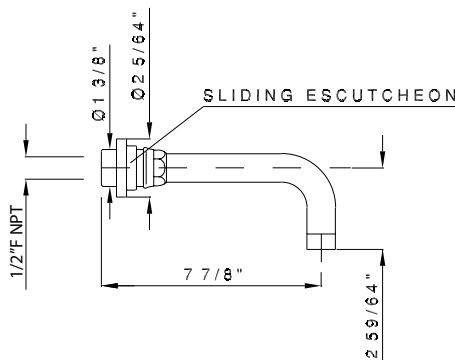


A2360 San Giovanni™ 5-Hole Bidet Faucet



Suggested Retail Price

Handle	APC	PN	STN	TCB
LM	1,833	2,258	2,400	2,716
X	1,811	2,232	2,370	2,684
XM	1,960	2,396	2,572	2,896

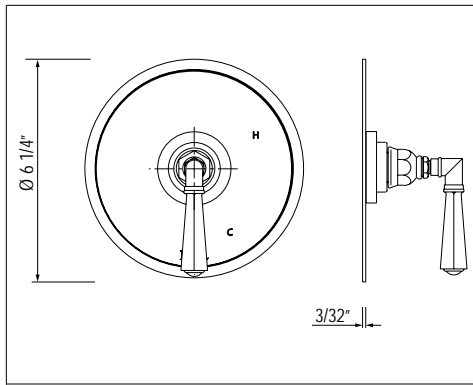


A2303 San Giovanni™ Wall Mount Tub Spout



Suggested Retail Price

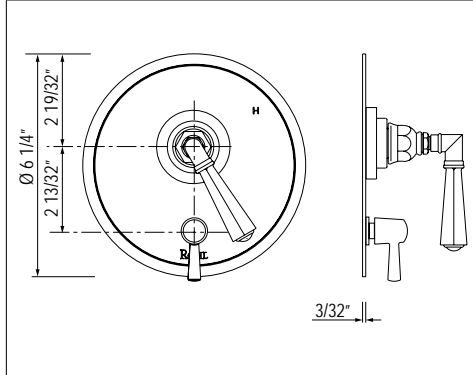
APC	PN	STN	TCB
249	275	334	354

**A2310** San Giovanni™ 1/2" Pressure Balance Trim Without Diverter**Suggested Retail Price**

Handle	APC	PN	STN	TCB
LM	332	361	429	444
X	322	350	480	480
XM	396	433	514	535

- Rough valve sold separately
- Order RCT-1 1/2" pressure balance rough valve: \$203

SORIANO

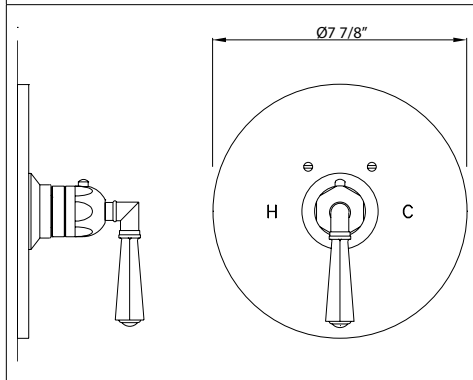
**A3310N** San Giovanni™ 1/2" Pressure Balance Trim With Diverter**Suggested Retail Price**

Handle	APC	PN	STN	TCB
LM	404	433	507	530
X	394	422	558	566
XM	468	505	592	621

- Rough valve sold separately
- Order RDD-2 1/2" pressure balance rough valve: \$326

VERONA

VIAGGIO

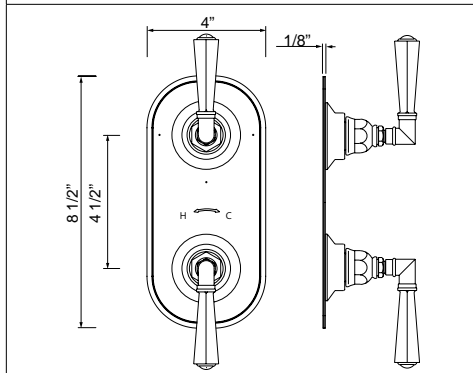
**A4923** San Giovanni™ 3/4" Thermostatic Trim Without Volume Control**Suggested Retail Price**

Handle	APC	PN	STN	TCB
LM	373	411	500	530
X	353	389	526	526
XM	533	587	671	757

- Rough valve sold separately
- Order 1005N 3/4" thermostatic rough valve: \$369

VINCENT

WAVE

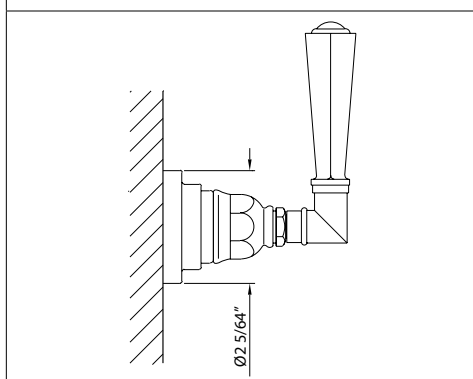
**A4564** San Giovanni™ 1/2" Thermostatic Trim with Diverter**Suggested Retail Price**

Handle	APC	PN	STN	TCB
LM	538	574	680	710
X	518	552	782	782
XM	666	718	850	892

- Rough valve sold separately
- Order R1051BV 1/2" thermostatic 1 function rough valve: \$448
- Order R1052BD 1/2" thermostatic 2 function rough valve: \$449
- Order R1053BD 1/2" thermostatic 3 function rough valve: \$524
- Order R1055BD 1/2" thermostatic 5 function rough valve: \$524

ROUGH

SHOWER

**A4924TO** San Giovanni™ Trim For Volume Control And 4-Port Dedicated Diverter**Suggested Retail Price**

Handle	APC	PN	STN	TCB
LM	184	202	247	262
X	174	191	298	298
XM	248	274	332	353

- Rough valve sold separately
- Order R1040R 3/4" volume control rough valve: \$160
- Order R1062BO 4-port, 3-way dedicated diverter rough valve: \$319

CARE & MAINTENANCE

TERMS



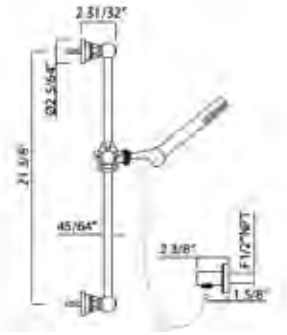
LM



XM



X



AKIT8073 San Giovanni™ Single-Function Handshower Set

Suggested Retail Price

Handle	APC	PN	STN	TCB
X	880	937	1,263	1,308
XM	956	1,020	1,363	1,415

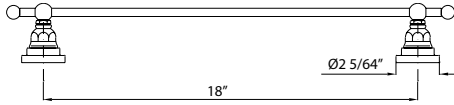


- Kit includes:
 - A8073X: Slide bar with five spoke handle sliding bracket handshower holder
 - C7135: Single-function brass handshower
 - 16295: Flexible 59" metal hose
 - 33640: Wall outlet
- Handshower flow rate 1.8 GPM

A1484LI San Giovanni™ Wall Mount 18" Single Towel Bar

Suggested Retail Price

APC	PN	STN	TCB
310	310	415	415

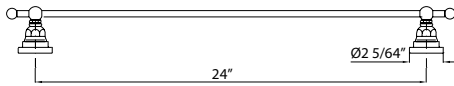


- Cannot be cut

A1486LI San Giovanni™ Wall Mount 24" Single Towel Bar

Suggested Retail Price

APC	PN	STN	TCB
313	313	419	419

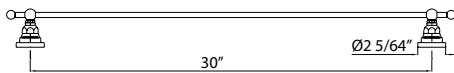


- Cannot be cut

A1489LI San Giovanni™ Wall Mount 30" Single Towel Bar

Suggested Retail Price

APC	PN	STN	TCB
341	341	456	456

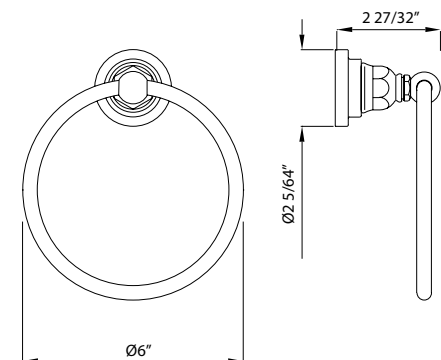


- Cannot be cut

A1485LI San Giovanni™ Wall Mount Towel Ring

Suggested Retail Price

APC	PN	STN	TCB
242	242	324	324





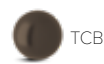
APC



PN

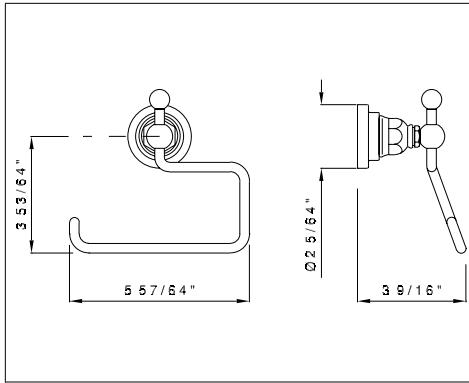


STN



TCB

SAN GIOVANNI



A1492LI San Giovanni™ Wall Mount Open Toilet Paper Holder

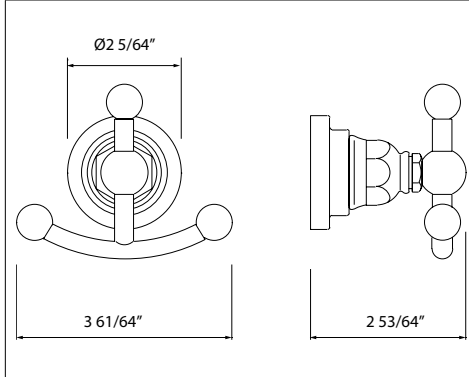
Suggested Retail Price

APC	PN	STN	TCB
252	252	339	339



- Accommodates oversized TP rolls

SORIANO



A1481 San Giovanni™ Wall Mount Double Robe Hook

Suggested Retail Price

APC	PN	STN	TCB
207	207	276	276



VERONA

VIAGGIO

VINCENT

WAVE

ROUGH

SHOWER

CARE & MAINTENANCE

TERMS



LM



XM



X



PRESSURE BALANCE SHOWER OPTION 1

Suggested Retail Price

Model	Description	Polished Chrome
A2310	Trim	332
B00102	Handshower	149
1230	Handshower Bar	787
1295	Outlet	99
16295	Hose	51
RCT-1	Rough	203
Total Package List Price With Roughs		1,621

Note: Sample configuration priced in Polished Chrome. Other configurations and finishes available. Complete your Shower experience by including one of our decorative drain options.

PRESSURE BALANCE SHOWER OPTION 2

Suggested Retail Price

Model	Description	Polished Chrome
A3310	Trim	404
BI00701	Showerhead	491
1120/12	Shower Arm	70
B00102	Handshower	149
D800	Handshower Bar	376
1295	Outlet	99
16295	Hose	51
RDD-2	Rough	326
Total Package List Price With Roughs		1,966

Note: Sample configuration priced in Polished Chrome. Other configurations and finishes available. Complete your Shower experience by including one of our decorative drain options.



APC



PN



STN



TCB

**1/2" THERMOSTATIC SHOWER OPTION 1**

Model	Description	Suggested Retail Price
		Polished Chrome
A4564	Trim	538
BI00701	Showerhead	491
1120/12	Shower Arm	70
B00102	Handshower	149
1230	Handshower Bar	787
1295	Outlet	99
16295	Hose	51
Total Package List Price With Roughs		2,709
R1052BD	Rough (No Share)	449
Total Package List Price With Roughs		2,634

Note: Sample configuration priced in Polished Chrome. Other configurations and finishes available. Complete your Shower experience by including one of our decorative drain options.

**1/2" THERMOSTATIC SHOWER OPTION 2**

Model	Description	Suggested Retail Price
		Polished Chrome
A4564	Trim	538
BI00701	Showerhead	491
1120/12	Shower Arm	70
SLM03	Ceiling Showerhead	704
1505/3	Ceiling Shower Arm	107
B00102	Handshower	149
1230	Handshower Bar	787
1295	Outlet	99
16295	Hose	51
Total Package List Price With Roughs		3,520
R1053BD	Rough (No Share)	524
Total Package List Price With Roughs		3,520

Note: Sample configuration priced in Polished Chrome. Other configurations and finishes available. Complete your Shower experience by including one of our decorative drain options.



1/2" THERMOSTATIC SHOWER OPTION 3

Suggested Retail Price

Model	Description	Polished Chrome
A4564	Trim	538
BI00701	Showerhead	491
1120/12	Shower Arm	70
B00102	Handshower	149
CD8000	Handshower Bracket	149
16295	Hose	51
A2303	Tub Spout	249
R1055BD	Rough	524
Total Package List Price With Roughs		2,231
R1053BD	Rough (No Share)	524
Total Package List Price With Roughs		2,231

Note: Sample configuration priced in Polished Chrome. Other configurations and finishes available. Complete your Shower experience by including one of our decorative drain options.

3/4" THERMOSTATIC SHOWER OPTION 1

Suggested Retail Price

Model	Description	Polished Chrome
A4923	Trim	373
BI00701	Showerhead	491
1120/12	Shower Arm	70
B00102	Handshower	149
1230	Handshower Bar	787
1295	Outlet	99
16295	Hose	51
A4812 (x3)	Volume Controls (x3)	343
I00124 (x2)	Body Sprays (x2)	112
1005N	Rough	369
R1040R (x3)	Volume Control Rough (x3)	160
Total Package List Price With Roughs		4,122

Note: Sample configuration priced in Polished Chrome. Other configurations and finishes available. Complete your Shower experience by including one of our decorative drain options.

SORIANO™

Authentically Crafted in Italy

The Soriano™ Collection is a range of brushed Stainless Steel bath faucets designed by the Italian design firm Meneghello Paoletti Associati. The design is inspired by the Boolean data type — the coding logic defined by “1s” and “0s” and representing the two truth values of logic. The brilliance of the Soriano™ Collection is its simplicity; the spout, lever and base of each piece is defined by one shape. The clean, sharp elegance of the collection makes it a perfect choice for contemporary bathroom design.



Handle Options



Metal Lever

Available Finishes:



*Brushed Stainless Steel
SB*

See product page for available finishes

SOR-09SB

SERIES HIGHLIGHTS

FAUCETS



SOR-19
page 308



SOR-16
page 308



SOR-09
page 308

TUB FILLERS



SOR-14
page 308



SOR-43
page 308

SHOWER TRIMS



SOR-32
page 309



SOR-30
page 309

SHOWER PACKAGE



1/2" THERMOSTATIC



OTHER CONSIDERATIONS

See product page for available finishes.



1070/8
page 372



NEW **I00598**
page 375



I00625
page 338



BI00059
page 380



1510/3
page 384



B00177
page 389



B0311
page 387



SDPVC2/3-3142
page 373



1340
page 396



24960
page 405



1265
page 397



L0095KIT1
page 390



SOR1/24
page 310



SOR-8
page 310



SOR1/12
page 310



SOR-7
page 309



RB1815
Shaws® Price Book



SB1814
Shaws® Price Book



BARCELONA 55
Victoria + Albert® Price Book



TERRASSA
Victoria + Albert® Price Book

SHOWER

ACCESSORIES

BATH FIXTURES

SAN GIOVANNI

SORIANO

VERONA

VIAGGIO

VINCENT

WAVE

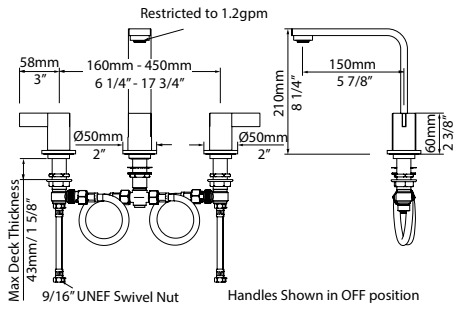
ROUGH

SHOWER

CARE & MAINTENANCE

TERMS





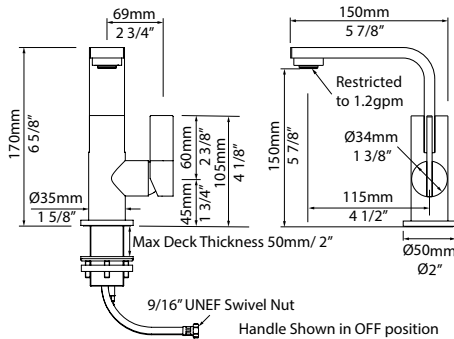
SOR-09 Soriano™ Widespread Lavatory Faucet



- Drain assembly not included with faucet. Must order drain to complete.
- Stainless Steel construction
- 1.2 GPM

Suggested Retail Price

SB
1,397



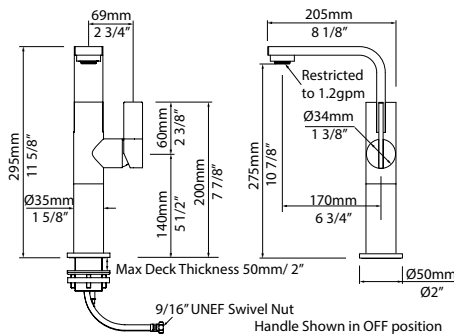
SOR-19 Soriano™ Single Handle Lavatory Faucet



- Drain assembly not included with faucet. Must order drain to complete.
- Stainless Steel construction
- 1.2 GPM

Suggested Retail Price

SB
1,018



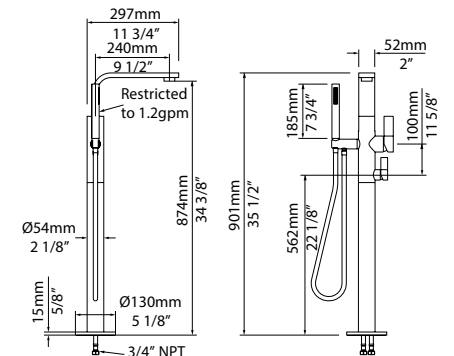
SOR-16 Soriano™ Single Handle Tall Lavatory Faucet



- Drain assembly not included with faucet. Must order drain to complete.
- Stainless Steel construction
- 1.2 GPM

Suggested Retail Price

SB
1,163



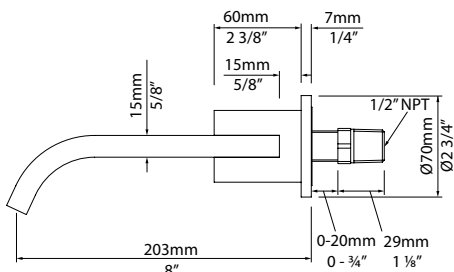
SOR-14 Soriano™ Single Leg Floor Mount Tub Filler



- Stainless Steel construction
- 8.2 GPM flow rate at 60 PSI for tub filler and 1.75 GPM for handshower
- Remote thermostatic valve may be needed; verify local code requirements

Suggested Retail Price

SB
2,585



SOR-43 Soriano™ Wall Mount Tub Spout

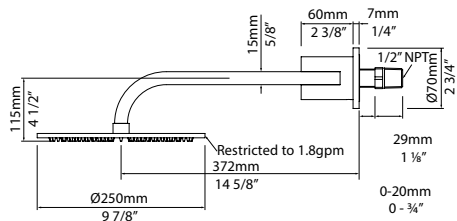


- Stainless Steel construction
- 6 GPM

Suggested Retail Price

SB
612

SOR-41 10" Soriano™ Rain Showerhead And 14 5/8" Arm

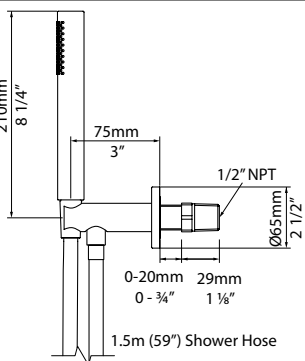


- Flow rate 1.8 GPM
- Stainless Steel construction

Suggested Retail Price

SB
1,120

SOR-42 Soriano™ Handshower, Hose And Handshower Holder Set

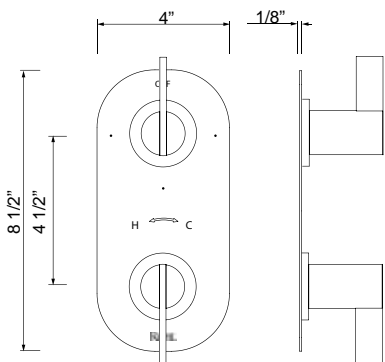


- Flow rate 1.8 GPM

Suggested Retail Price

SB
602

SOR-32 Soriano™ 1/2" Thermostatic Trim with Diverter

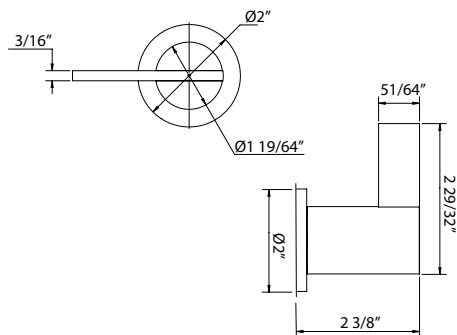


- Rough valve sold separately
 - Order R1051BV 1/2" thermostatic 1 function rough valve: \$448
 - Order R1052BD 1/2" thermostatic 2 function rough valve: \$449
 - Order R1053BD 1/2" thermostatic 3 function rough valve: \$524
 - Order R1055BD 1/2" thermostatic 5 function rough valve: \$524

Suggested Retail Price

SB
642

SOR-30 Soriano™ Trim For Volume Control And Diverter

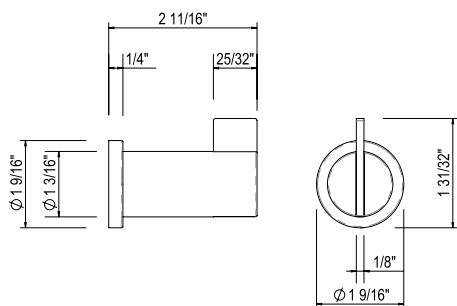


- Rough valve sold separately
 - Order R1040R 3/4" volume control rough valve: \$160
 - Order R1062BO 4-port, 3-way dedicated diverter rough valve: \$319

Suggested Retail Price

SB
240

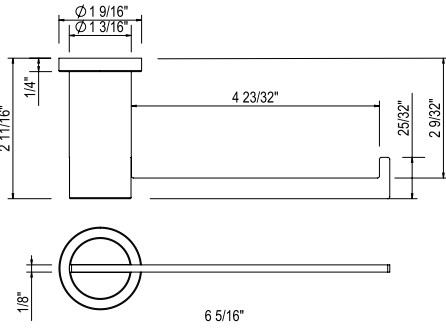
SOR-7 Soriano™ Wall Mount Robe Hook



- Stainless Steel construction

Suggested Retail Price

SB
92



SOR-8 Soriano™ Wall Mount Toilet Paper Holder

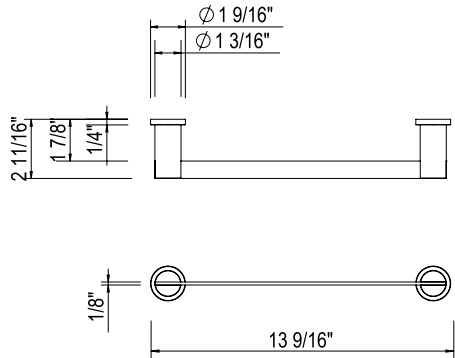
Suggested Retail Price

SB

164



- Stainless Steel construction
- Accommodates oversized toilet paper rolls



SOR1/12 Soriano™ Wall Mount 12" Single Towel Bar

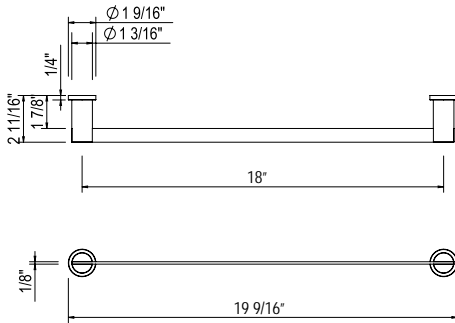
Suggested Retail Price

SB

230



- Stainless Steel construction
- Length cannot be cut down



SOR1/18 Soriano™ Wall Mount 18" Single Towel Bar

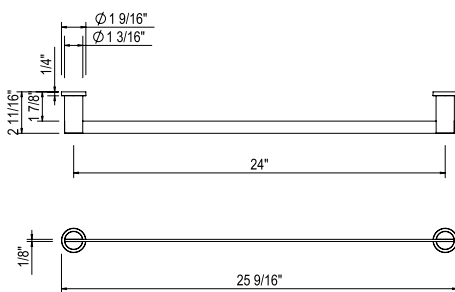
Suggested Retail Price

SB

266



- Stainless Steel construction
- Length cannot be cut down



SOR1/24 Soriano™ Wall Mount 24" Single Towel Bar

Suggested Retail Price

SB

296



- Stainless Steel construction
- Length cannot be cut down

VERONA™

Authentically Crafted in Italy

Best known as the home of Romeo and Juliet, the Verona™ Collection was named for the town of Verona. Often referred to as “little Venice” or the “cousin of Venice”, the name Verona is perfect for the Collection specifically designed to accompany other elegant ROHL® products. Like Venice is to Verona, this Collection is a delightful complement to other premium ROHL® Collections, offering a value option for secondary spaces.



Handle Options



*Metal Lever
LM*



*Cross Handle
XM*

Available Finishes:



*Polished Chrome
APC*



*Polished Nickel
PN*



*Satin Nickel
STN*



*Italian Brass
IB*

See product page for available finishes

A2707LMAPC

SERIES HIGHLIGHTS

FAUCETS



A2707LM
page 314



A2707XM
page 314

TUB FILLERS



A2764
page 314



T1587
page 314



C1703
page 316

SHOWER TRIMS



ARB1410
page 315



ARB2410N
page 315



A2914
page 315



A2964
page 315

PRESSURE BALANCE

1/2" THERMOSTATIC

3/4" THERMOSTATIC

SHOWER PACKAGES



page 319



page 319



page 320



page 320



page 321



page 321



LM



XM

OTHER CONSIDERATIONS

See product page for available finishes.



1037/8
page 372



SOF135
page 379



B240NSH
page 377



BI00042
page



1505/3
page 384



SOF136
page 389



1101/8E
page 362



SDPVC2/3-3146
page 408



D800/1N
page 395



D63003
page 396



1630KIT1
page 405



C21000
page 404



CIS1/24
page 317



CIS18
page 318



CIS4
page 317



CIS7
page 317



SB2015
Shaws® Price Book



U.2525
Perrin & Rowe® Price Book



RADFORD 51
Victoria + Albert® Price Book



ELWICK
Victoria + Albert® Price Book



APC



PN



STN



IB



ULB

ROHL BATH

SHOWER

ACCESSORIES

BATH FIXTURES

SAN GIOVANNI

SORIANO

VERONA

VIAGGIO

VINCENT

WAVE

ROUGH

SHOWER

CARE & MAINTENANCE

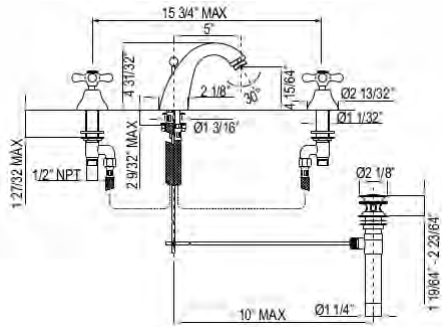
TERMS



LM



XM



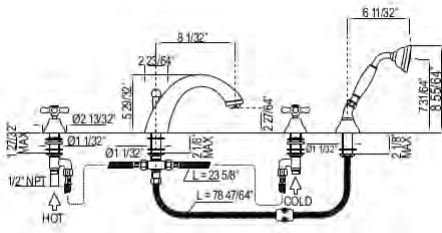
A2707 Verona™ C-Spout Widespread Lavatory Faucet



- Pop-up included
- Matching tub filler A2764
- 1.2 GPM

Suggested Retail Price

Handle	APC	PN	STN	IB
LM	440	440	565	565
XM	440	440	565	565



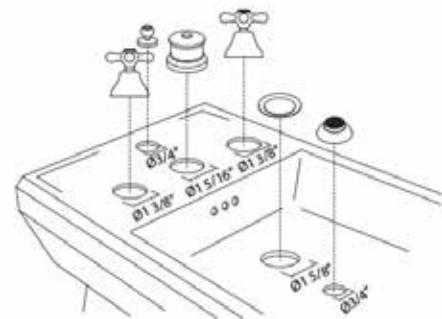
A2764 Verona™ 4-Hole Deck Mount C-Spout Tub Filler With Handshower



- Single-function brass handshower with metal insert
- Matching lavatory faucet A2707
- 6 GPM at 60 PSI

Suggested Retail Price

Handle	APC	PN	STN	IB
LM	1,484	1,484	1,931	1,931
XM	1,484	1,484	1,931	1,931

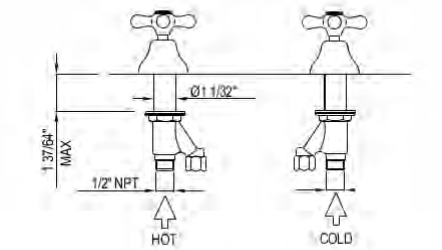


A2760 Verona™ 5-Hole Bidet Faucet



Suggested Retail Price

Handle	APC	PN	STN	IB
LM	1,624	1,987	2,085	2,265
XM	1,624	1,987	2,085	2,265



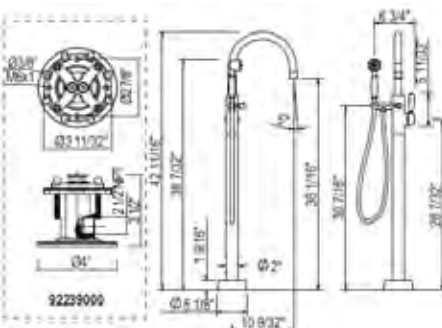
A2711 Verona™ Deck Mount Set Of Hot & Cold 1/2" Sidevalves



- For use on bathtubs with integrated tub spouts
- Hose not included. Order C7089.6012 1/2" x 1/2" NPSM connection. Order two for a set.

Suggested Retail Price

Handle	APC	PN	STN	IB
LM	394	394	492	492
XM	394	394	492	492



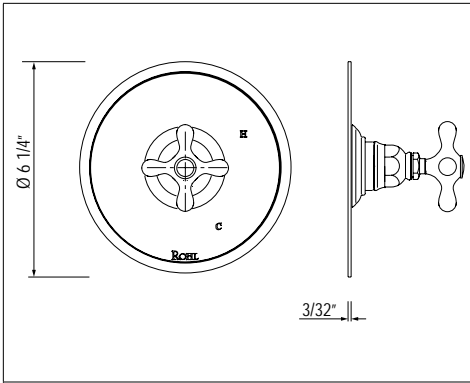
T1587 Traditional Single Leg Floor Mount Tub Filler



- Rough valve sold separately
— Order R922390000 floor rough valve: \$547
- 8.2 GPM flow rate at 60 PSI for tub filler
- Remote thermostatic valve may be needed; verify local code requirements

Suggested Retail Price

Handle	APC	PN	STN
LM	1,909	2,198	2,752

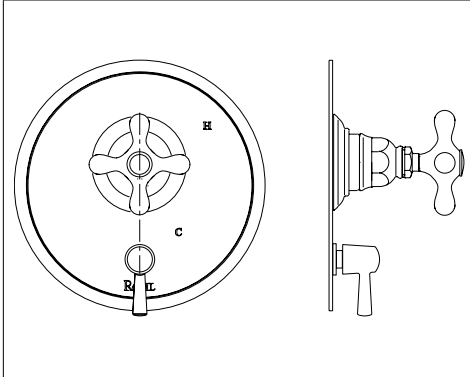


ARB1410 Verona™ 1/2" Pressure Balance Trim Without Diverter



- Rough valve sold separately
— Order RCT-1 1/2" pressure balance rough valve: \$203

Handle	Suggested Retail Price			
	APC	PN	STN	IB
LM	352	363	539	580
XM	352	363	539	580

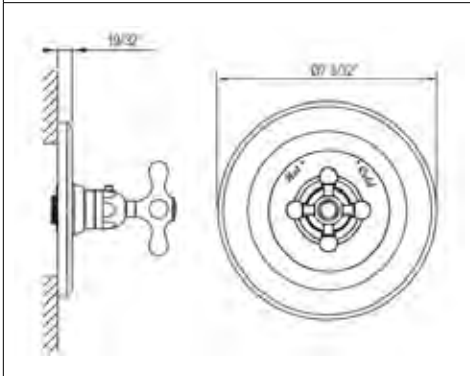


ARB2410N Verona™ 1/2" Pressure Balance Trim With Diverter



- Rough valve sold separately
— Order RDD-2 1/2" pressure balance rough valve: \$326

Handle	Suggested Retail Price			
	APC	PN	STN	IB
LM	424	435	617	690
XM	424	435	617	690

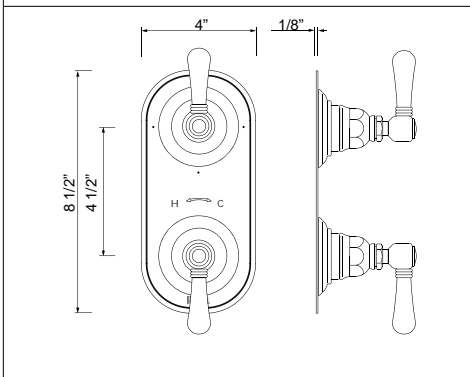


A2914 Verona™ 3/4" Thermostatic Trim Without Volume Control



- Rough valve sold separately
— Order 1005N 3/4" thermostatic rough valve: \$369

Handle	Suggested Retail Price			
	APC	PN	STN	IB
LM	388	388	606	606
XM	388	388	606	606

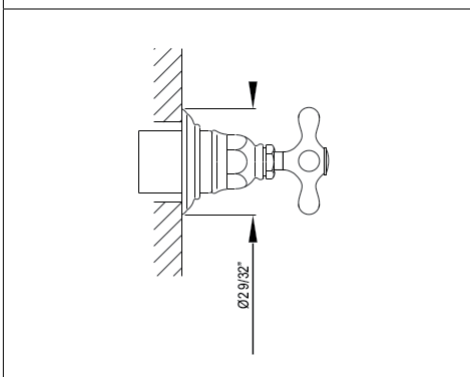


A2964 Verona™ 1/2" Thermostatic Trim with Diverter



- Rough valve sold separately
— Order R1051BV 1/2" thermostatic 1 function rough valve: \$448
— Order R1052BD 1/2" thermostatic 2 function rough valve: \$449
— Order R1053BD 1/2" thermostatic 3 function rough valve: \$524
— Order R1055BD 1/2" thermostatic 5 function rough valve: \$524

Handle	Suggested Retail Price		
	APC	PN	STN
LM	566	566	889
XM	566	566	889



A2912 Verona™ Trim For Volume Control And 4-Port Dedicated Diverter



- Rough valve sold separately
— Order R1040R 3/4" volume control rough valve: \$160
— Order R1062BO 4-port, 3-way dedicated diverter rough valve: \$319

Handle	Suggested Retail Price			
	APC	PN	STN	IB
LM	204	204	357	357
XM	204	204	357	357



LM

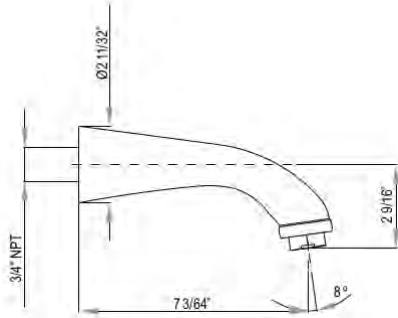


XM

C1703 Verona™ 7" Wall Mount Tub Spout

Suggested Retail Price

APC	PN	STN	IB
184	184	236	236

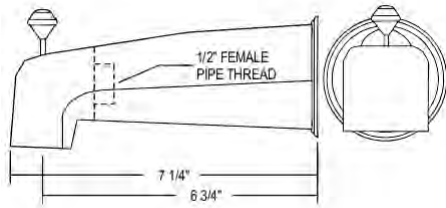


- If 1/2" required, you may purchase a 3/4" x 1/2" nipple at any hardware store

RT8000 Wall Mount Tub Spout With Integrated Diverter

Suggested Retail Price

APC	PN	STN	IB
146	219	219	790



- If using another rough valve other than the RCT-1 a twin ell may be required by the installer

CIS10 Arcana™ Wall Mount Hotel Style Towel Shelf

Suggested Retail Price

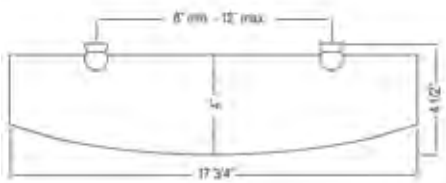
APC	PN	STN	IB
513	513	639	639



CIS12 Arcana™ Wall Mount Glass Vanity Shelf

Suggested Retail Price

APC	PN	STN	IB
203	203	230	230



CIS1/18 Arcana™ Wall Mount 18" Single Towel Bar

Suggested Retail Price

APC	PN	STN	IB
225	225	259	259



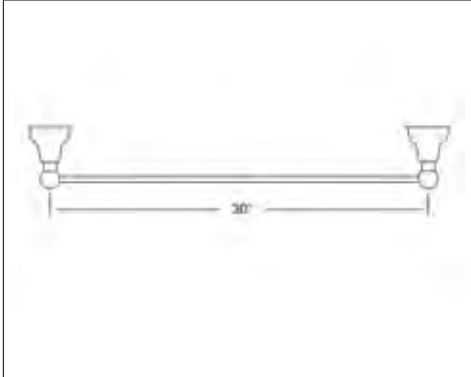
- Length can be cut down



CIS1/24 Arcana™ Wall Mount 24" Single Towel Bar

Suggested Retail Price

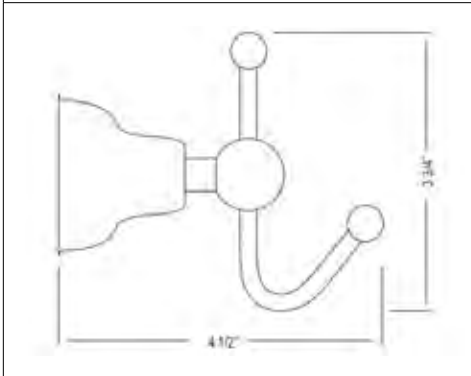
APC	PN	STN	IB
229	229	275	275



CIS1/30 Arcana™ Wall Mount 30" Single Towel Bar

Suggested Retail Price

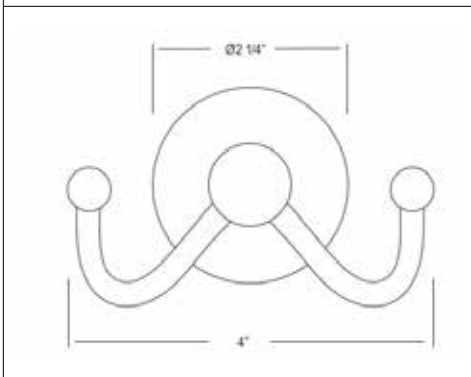
APC	PN	STN	IB
237	237	280	280



CIS7 Arcana™ Wall Mount Single Robe Hook

Suggested Retail Price

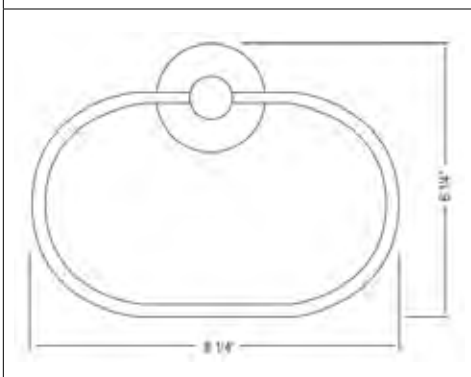
APC	PN	STN	IB
121	121	150	150



CIS7D Arcana™ Wall Mount Double Robe Hook

Suggested Retail Price

APC	PN	STN	IB
127	127	152	152



CIS4 Arcana™ Wall Mount Towel Ring

Suggested Retail Price

APC	PN	STN	IB
152	152	180	180

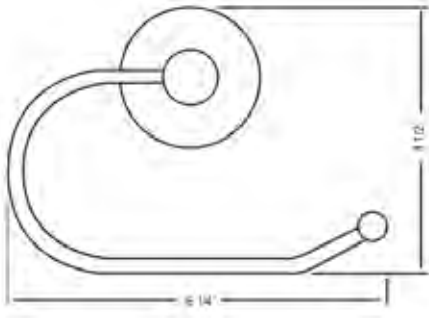




LM



XM



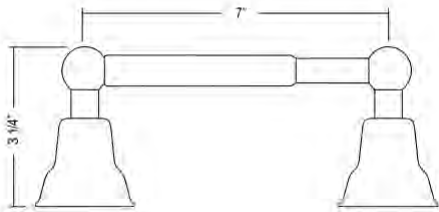
CIS8 Arcana™ Wall Mount Loop Toilet Paper Holder



- Accommodates oversized TP rolls

Suggested Retail Price

APC	PN	STN	IB
138	138	164	164



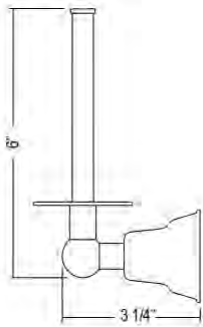
CIS18 Arcana™ Wall Mount Single Spring Loaded Toilet Paper Holder



- Accommodates most oversized TP rolls

Suggested Retail Price

APC	PN	STN	IB
240	240	288	288



CIS19 Arcana™ Wall Mount Spare Toilet Paper Holder



- Accommodates most oversized TP rolls

Suggested Retail Price

APC	PN	STN	IB
188	188	226	226

**PRESSURE BALANCE SHOWER OPTION 1**

Model	Description	Suggested Retail Price
		Polished Chrome
ARB1410	Trim	352
B0314	Handshower	119
D800	Handshower Bar	376
1295	Outlet	99
16295	Hose	51
RCT-1	Rough	203
Total Package List Price With Roughs		1,200

Note: Sample configuration priced in Polished Chrome. Other configurations and finishes available. Complete your Shower experience by including one of our decorative drain options.

**PRESSURE BALANCE SHOWER OPTION 2**

Model	Description	Suggested Retail Price
		Polished Chrome
ARB2410	Trim	424
WI0197	Showerhead	172
1440/6	Shower Arm	77
1101/8E	Handshower	213
D800	Handshower Bar	376
1295	Outlet	99
16295	Hose	51
RDD-2	Rough	326
Total Package List Price With Roughs		1,738

Note: Sample configuration priced in Polished Chrome. Other configurations and finishes available. Complete your Shower experience by including one of our decorative drain options.



1/2" THERMOSTATIC SHOWER OPTION 1

Suggested Retail Price

Model	Description	Polished Chrome
A2964	Trim	566
1037/8	Showerhead	501
1120/12	Shower Arm	70
B0314	Handshower	119
1201	Handshower Bar	422
1295	Outlet	99
16295	Hose	51
Total Package List Price With Roughs		2,352
R1052BD	Rough (No Share)	449
Total Package List Price With Roughs		2,277

Note: Sample configuration priced in Polished Chrome. Other configurations and finishes available. Complete your Shower experience by including one of our decorative drain options.

1/2" THERMOSTATIC SHOWER OPTION 2

Suggested Retail Price

Model	Description	Polished Chrome
A2964	Trim	566
1037/8	Showerhead	501
1120/12	Shower Arm	70
1047/8	Ceiling Showerhead	1,163
1505/3	Ceiling Shower Arm	107
B0314	Handshower	119
1201	Handshower Bar	422
1295	Outlet	99
16295	Hose	51
Total Package List Price With Roughs		3,622
R1053BD	Rough (No Share)	524
Total Package List Price With Roughs		3,622

Note: Sample configuration priced in Polished Chrome. Other configurations and finishes available. Complete your Shower experience by including one of our decorative drain options.

**1/2" THERMOSTATIC SHOWER OPTION 3**

Model	Description	Suggested Retail Price
		Polished Chrome
A2964	Trim	566
1037/8	Showerhead	501
1120/12	Shower Arm	70
B0314	Handshower	119
CD8000	Handshower Bracket	149
16295	Hose	51
C1703	Tub Spout	184
R1055BD	Rough	524
Total Package List Price With Roughs		2,164
R1053BD	Rough (No Share)	524
Total Package List Price With Roughs		2,164

Note: Sample configuration priced in Polished Chrome. Other configurations and finishes available. Complete your Shower experience by including one of our decorative drain options.

**3/4" THERMOSTATIC SHOWER OPTION 1**

Model	Description	Suggested Retail Price
		Polished Chrome
A2914	Trim	388
1037/8	Showerhead	501
1120/12	Shower Arm	70
B0314	Handshower	119
1201	Handshower Bar	422
1295	Outlet	99
16295	Hose	51
A2912 (x3)	Volume Controls (x3)	204
1095/8 (x2)	Body Sprays (x2)	355
1005N	Rough	369
R1040R (x3)	Volume Control Rough (x3)	160
Total Package List Price With Roughs		3,821

Note: Sample configuration priced in Polished Chrome. Other configurations and finishes available. Complete your Shower experience by including one of our decorative drain options.

VIAGGIO®

Authentically Crafted in Italy

Literally meaning to “travel” or “embark upon a journey” in Italian, Viaggio conjures images of walkabouts in the foothills of the Dolomites, day sails on Lake Como and treks in the hills of Tuscany. ROHL® faucets of the same name were inspired by these very places. Crafted by Italian artisans, the Viaggio® Collection embodies the traditions of the region where generations of families have set their hands at creating pieces inspired by their Northern Italian heritage. Its graceful styling is reminiscent of faucets and fixtures found in country villas that dot the landscape.



Handle Options



Metal Lever
LM



Cross Handle
XM



Porcelain Lever
LP



Crystal Metal Lever
LC



Crystal Cross Handle
XC

Available Finishes:



Polished Chrome
APC



Polished Nickel
PN



Tuscan Brass®
TCB



Satin Nickel
STN



Italian Brass
IB



Unlacquered Brass
ULB

See product page for available finishes

A1408XMIB

SAN GIOVANNI

SORIANO

VERONA

VIAGGIO

VINCENT

WAVE

ROUGH

SHOWER

CARE & MAINTENANCE

TERMS

SERIES HIGHLIGHTS

FAUCETS



A1408
page 326



A2108
page 326

TUB FILLERS



A1464
page 326



T1587/TO
page 215



AKIT1401N
page 327



C2503
page 331

SHOWER TRIMS



A1410N
page 330



A4914
page 330



A4964
page 330



A4917
page 329

PRESSURE BALANCE

1/2" THERMOSTATIC

3/4" THERMOSTATIC

SHOWER PACKAGES



page 337



page 337



page 338



page 338



page 339



page 339



OTHER CONSIDERATIONS

See product page for available finishes.



1037/8
page 372



1085/8
page 378



100625
page 377



WI0123
page 380



1475/12
page 382



1151/8
page 388



B00102
page 389



SDPVC2/3-3142
page 408



D800/1N
page 395



1301E
page 394



1260
page 397



1630KIT1
page 405



ROT1/24
page 331



ROT1/18
page 331



A1482
page 332



ROT10
page 334



SB2015
Shaws® Price Book



U.2525
Perrin & Rowe® Price Book



U2863 with RW2231
Perrin & Rowe® Price Book



WESSEX
Victoria + Albert® Price Book



APC



PN



STN



TCB



IB



ULB

ROHL BATH

SHOWER

ACCESSORIES

BATH FIXTURES

SAN GIOVANNI

SORIANO

VERONA

VIAGGIO

VINCENT

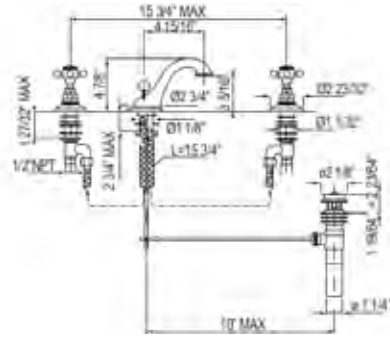
WAVE

ROUGH

SHOWER

CARE & MAINTENANCE

TERMS



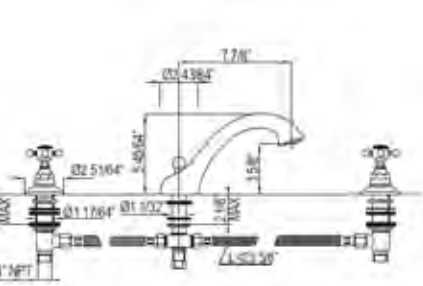
A1408 Viaggio® C-Spout Widespread Lavatory Faucet

Suggested Retail Price

Handle	APC	PN	STN	IB	TCB	ULB
LC	1,054	1,054	1,332	1,332	1,332	1,332
LM	558	558	657	657	657	657
LP	558	558	657	657	657	657
XC	1,054	1,054	1,332	1,332	1,332	
XM	558	558	657	657	657	657



- Matching tub fillers A1454 and A1464
- 1.2 GPM



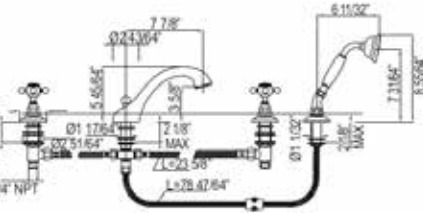
A1454 Viaggio® 3-Hole Deck Mount C-Spout Tub Filler

Suggested Retail Price

Handle	APC	PN	STN	IB	TCB
LC	1,449	1,449	1,791	1,791	1,791
LM	1,227	1,227	1,550	1,550	1,550
LP	1,227	1,227	1,550	1,550	1,550
XC	1,449	1,449	1,791	1,791	1,791
XM	1,227	1,227	1,550	1,550	1,550



- Matching lavatory faucet A1408
- 12-14 GPM at 60 PSI



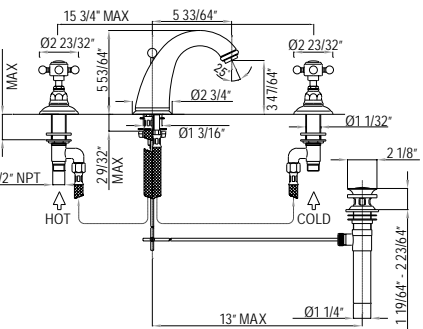
A1464 Viaggio® 4-Hole Deck Mount C-Spout Tub Filler With Handshower

Suggested Retail Price

Handle	APC	PN	STN	IB	TCB	ULB
LC	1,937	1,937	2,435	2,435	2,435	2,435
LM	1,693	1,693	2,160	2,160	2,160	2,160
LP	1,693	1,693	2,160	2,160	2,160	2,160
XC	1,937	1,937	2,435	2,435	2,435	
XM	1,693	1,693	2,160	2,160	2,160	2,160



- Matching lavatory faucet A1408
- 9 GPM at 60 PSI



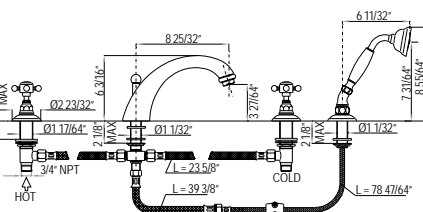
A2108 Viaggio® C-Spout Widespread Lavatory Faucet

Suggested Retail Price

Handle	APC	PN	STN	IB	TCB
LC	1,068	1,068	1,390	1,390	1,390
LM	769	769	1,072	1,072	1,072
LP	769	769	1,072	1,072	1,072
XC	1,068	1,068	1,390	1,390	1,390
XM	769	769	1,072	1,072	1,072



- 1.2 GPM
- Matching tub filler A2104



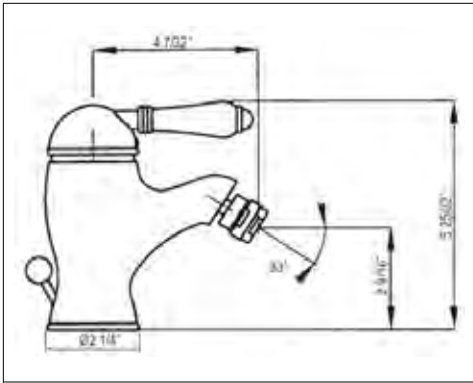
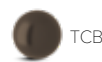
A2104 Viaggio® 4-Hole Deck Mount C-Spout Tub Filler With Handshower

Suggested Retail Price

Handle	APC	PN	STN	IB	TCB
LC	1,910	1,910	2,482	2,482	2,482
LM	1,613	1,613	2,054	2,054	2,054
LP	1,613	1,613	2,054	2,054	2,054
XC	1,910	1,910	2,482	2,482	2,482
XM	1,613	1,613	2,054	2,054	2,054



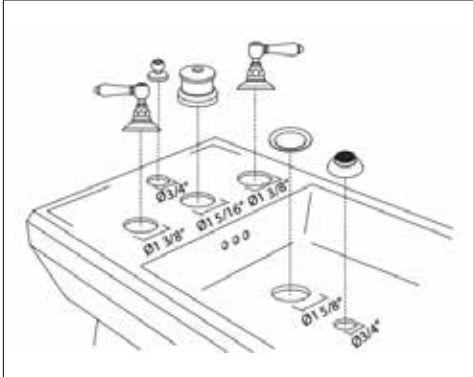
- Matching lavatory faucet A2108
- Single-function brass handshower with metal insert on A2104XM/LM and white porcelain insert on A2104LP
- 9 GPM at 60 PSI



A3403 Viaggio® Single Handle Single Hole Bidet Faucet



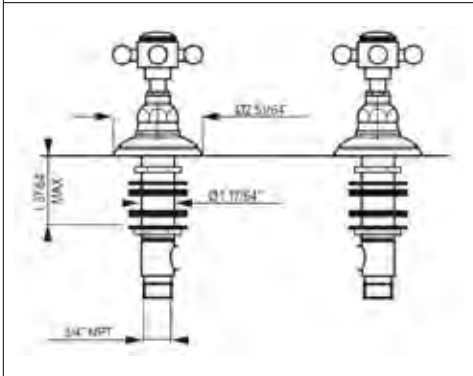
Handle	Suggested Retail Price				
	APC	PN	STN	IB	TCB
LC	812	812	974	974	974
LM	670	670	871	871	871
LP	670	670	871	871	871



A1460 5-Hole Bidet Faucet



Handle	Suggested Retail Price				
	APC	PN	STN	IB	TCB
LC	1,917	2,280	2,363	2,543	2,629
LM	1,660	2,023	2,106	2,286	2,372
LP	1,660	2,023	2,106	2,286	2,372
XC	1,917	2,280	2,363	2,543	2,629
XM	1,660	2,067	2,131	2,383	2,469

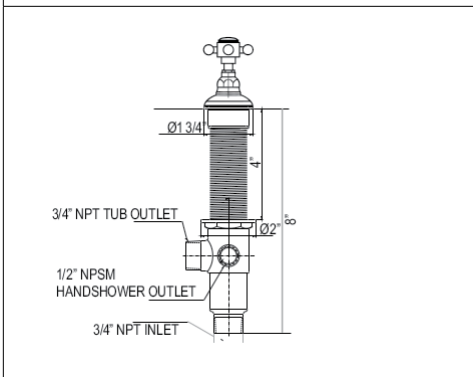


A7422 Set Of Hot & Cold 3/4" Sidevalves



Handle	Suggested Retail Price				
	APC	PN	STN	IB	TCB
LM	486	535	607	690	690
LP	486	535	607	690	690
XC	742	816	928	1,054	1,054
XM	486	535	607	690	690

- For use on bathtubs with integrated tub spouts
- Hose not included. Order C7089.6034NSF 3/4" x 3/4" NPSM connection. Order two for a set.

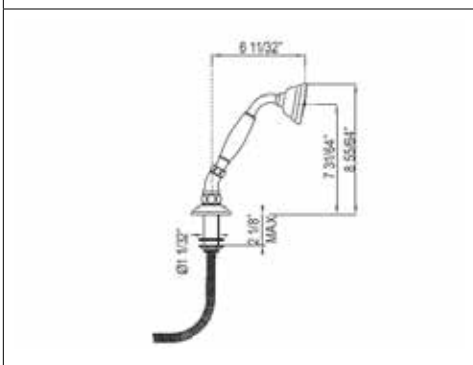


A2716 Deck Mount 3-Port, 2 Direction Diverter



Handle	Suggested Retail Price				
	APC	PN	STN	IB	TCB
LC	654	654	697	697	697
LM	561	561	619	619	619
LP	561	561	619	619	619
XC	587	587	629	629	629
XM	543	543	607	607	607

- Deck mount diverter for use on bathtubs with built in tub spouts or 5-hole installations
- If installing A2716 with 3-Hole tub filler to make a custom 5-Hole tub filler, must order separate 5HOLEINSTALLKIT to complete installation

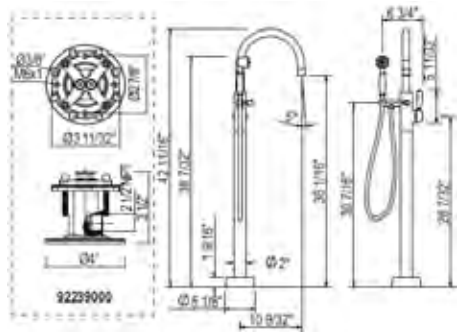


A7104 Deck Mount Handshower With Hose And Escutcheon



Handle	Suggested Retail Price					
	APC	PN	STN	IB	TCB	ULB
M	500	500	614	614	614	614
P	500	500	614	614	614	614

- A7104M comes with a metal handle and A7104P comes with a porcelain handle



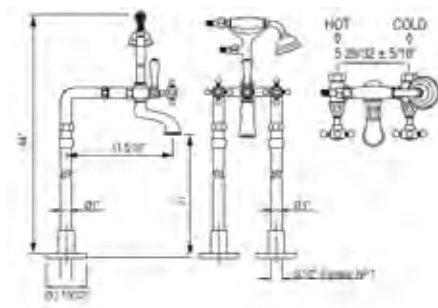
T1587 Traditional Single Leg Floor Mount Tub Filler



Suggested Retail Price

Handle	APC	PN	STN
LM	1,909	2,198	2,752

- Rough valve sold separately
 - Order R922390000 floor rough valve: \$547
- 8.2 GPM flow rate at 60 PSI for tub filler
- Remote thermostatic valve may be needed; verify local code requirements



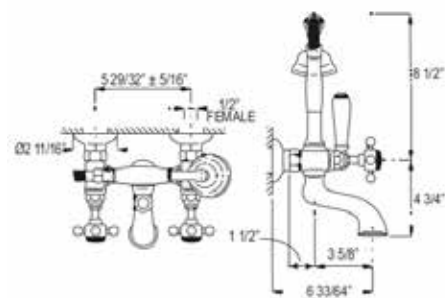
AKIT1401N Exposed Floor Mount Tub Filler With Handshower And Floor Pillar Legs Or Supply Unions



Suggested Retail Price

Handle	APC	PN	STN	IB	TCB
LC	3,111	3,405	4,178	4,675	4,483
LM	2,796	3,059	3,852	4,228	4,036
LP	2,796	3,059	3,852	4,228	4,036
XC	3,111	3,405	4,178	4,675	4,483
XM	2,796	3,059	3,852	4,228	4,036

- Single-function brass handshower with metal insert
- 10 GPM at 60 PSI
- Floor legs cannot be cut down
- Kit includes:
 - ZA386 floor legs
 - A1401N



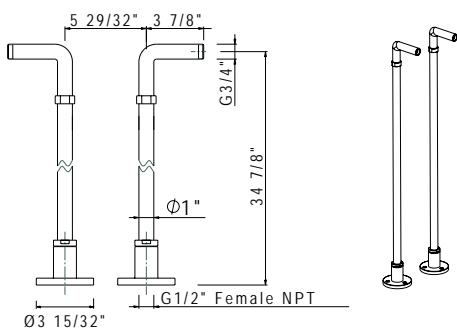
A1401 Exposed Wall Mount Tub Filler With Handshower



Suggested Retail Price

Handle	APC	PN	STN	IB	TCB
LC	1,757	1,933	2,286	2,495	2,495
LM	1,442	1,587	1,960	2,048	2,048
LP	1,442	1,587	1,960	2,048	2,048
XC	1,757	1,933	2,286	2,495	2,495
XM	1,442	1,587	1,960	2,048	2,048

- Single-function brass handshower with metal insert
- 10 GPM at 60 PSI
- Deck & floor unions available. If the deck unions AR00380 or the floor pillar legs ZA386 are used, you MUST include the adaptor C5574EXT. Allow for an extra 2 5/8" in the length. This may affect your rough-in dimensions.



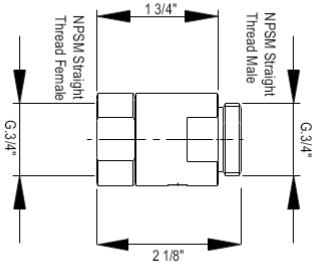
ZA386 Floor Pillar Legs Or Supply Unions - Set Of 2



Suggested Retail Price

APC	PN	STN	IB	TCB
1,184	1,302	1,674	1,962	1,770

- Cannot be cut down
- Alternative heights available by special order. Please contact ROHL Customer Care.
- Extra horizontal reach union adaptors available, order C5574EXT
- Optional support bracket or stanchion not included with floor legs, order separately as ZZ940830 with finish



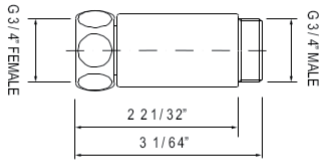
ZA1038402 Decorative Shut-Off Valve For Floor Legs

Suggested Retail Price

APC	PN	STN	IB	TCB
199	209	255	255	255



- Fits ZA386 floor pillar legs
- Order two for a set



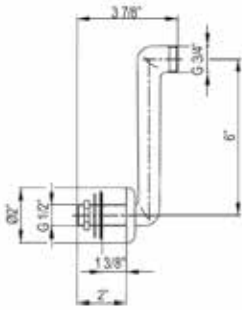
C5574EXT Union Adaptors — Set Of 2

Suggested Retail Price

APC	PN	STN	IB	TCB
170	170	218	218	218



- Allow for an extra 2 5/8" in length. This may affect your rough-in dimensions.



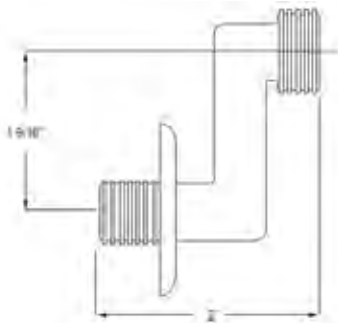
ZZ9353502 Cast Iron Tub Unions — Set Of 2

Suggested Retail Price

APC	PN	STN	IB	TCB
468	491	601	601	601



- Order C5574EXT for use with A1401, A1901, A2701



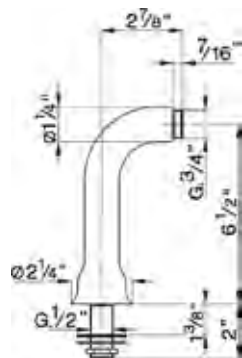
ZZ9314302/2 Wall Unions — Set Of 2

Suggested Retail Price

APC	PN	STN	IB	TCB
191	286	350	350	350



- Order C5574EXT for use with A1401, A1901, A2701



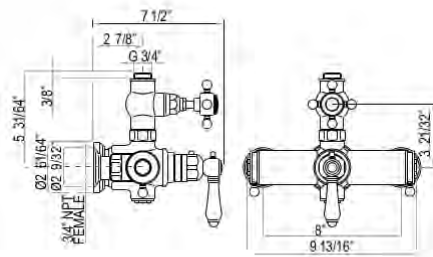
AR00380 Deck Unions — Set Of 2

Suggested Retail Price

APC	PN	STN	IB	TCB
533	560	682	682	682



- Order C5574EXT for use with A1401, A1901, A2701



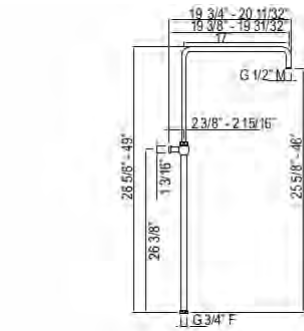
A4917 3/4" Exposed Thermostatic Valve



Suggested Retail Price

Handle	APC	PN	STN	IB	TCB
LC	2,468	2,715	3,138	3,504	3,504
LM	2,231	2,455	2,903	3,169	3,169
LP	2,231	2,455	2,903	3,169	3,169
XC	2,468	2,715	3,138	3,504	3,504
XM	2,231	2,455	2,903	3,169	3,169

- Swarovski® crystal cross handle on volume control and Swarovski® crystal lever on temperature control for XC model
- 16 GPM at 45 PSI
- Must order 1560 or 1565 riser to connect to outlet



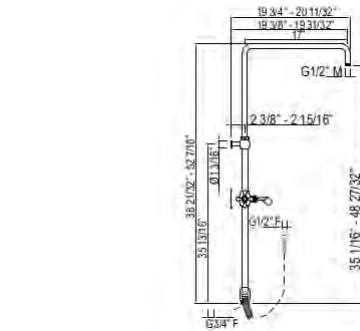
1565 Riser Without Diverter



Suggested Retail Price

APC	PN	STN	IB	TCB
781	781	1,015	1,065	1,015

- Adjustable height. Upper riser can recess into lower riser and swivel.
- Must order showerhead separately
- Cannot be cut



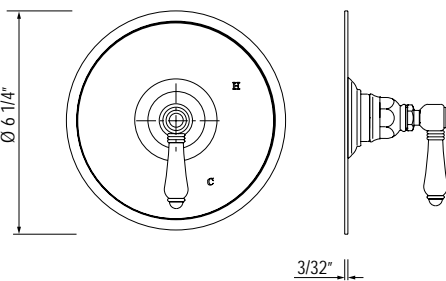
1560 Riser With Diverter, Hose And Sliding Handshower Holder



Suggested Retail Price

APC	PN	STN	IB	TCB
1,280	1,280	1,701	1,788	1,701

- Adjustable height. Upper riser can recess into lower riser and swivel.
- Must order showerhead and handshower separately



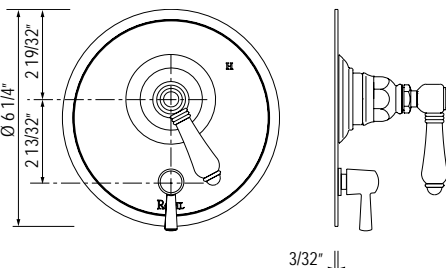
A1410 1/2" Pressure Balance Trim Without Diverter



Suggested Retail Price

Handle	APC	PN	STN	IB	TCB
LC	482	527	667	708	667
LM	352	384	539	580	539
LP	352	384	539	580	539
XC	482	527	667	708	667
XM	352	384	539	580	539

- Rough valve sold separately
— Order RCT-1 1/2" pressure balance rough valve: \$203



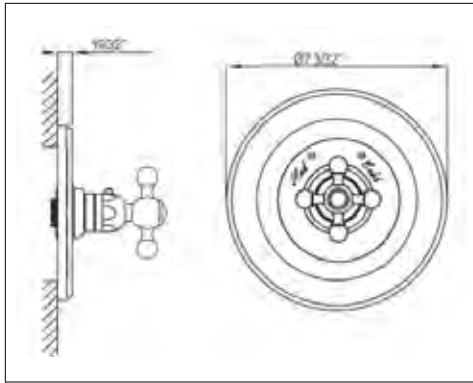
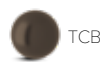
A2410N 1/2" Pressure Balance Trim With Diverter



Suggested Retail Price

Handle	APC	PN	STN	IB	TCB
LC	554	599	745	818	753
LM	424	456	617	690	625
LP	424	456	617	690	625
XC	554	599	745	818	753
XM	424	456	617	690	625

- Rough valve sold separately
— Order RDD-2 1/2" pressure balance rough valve: \$326



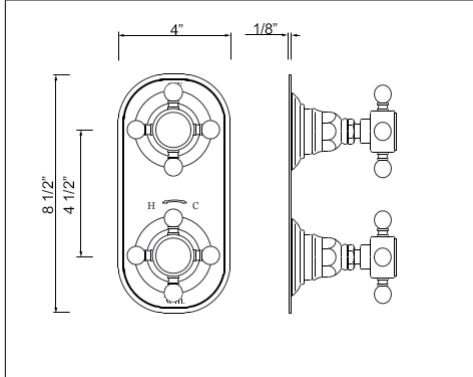
A4914 3/4" Thermostatic Trim Without Volume Control



Suggested Retail Price

Handle	APC	PN	STN	IB	TCB	ULB
LC	545	600	748	775	775	
LM	388	427	606	606	606	606
LP	388	427	606	606	606	606
XC	545	600	748	775	775	
XM	388	427	606	606	606	606

- Rough valve sold separately
— Order 1005N 3/4" thermostatic rough valve: \$369



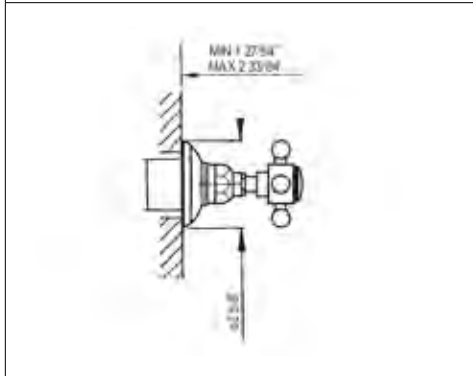
A4964 1/2" Thermostatic Trim with Diverter



Suggested Retail Price

Handle	APC	PN	STN	IB	TCB	ULB
LC	826	894	1,145	1,145	1,145	
LM	566	608	889	889	889	889
LP	566	608	889	889	889	889
XC	826	894	1,145	1,145	1,145	
XM	566	608	889	889	889	889

- Rough valve sold separately
— Order R1051BV 1/2" thermostatic 1 function rough valve: \$448
— Order R1052BD 1/2" thermostatic 2 function rough valve: \$449
— Order R1053BD 1/2" thermostatic 3 function rough valve: \$524
— Order R1055BD 1/2" thermostatic 5 function rough valve: \$524



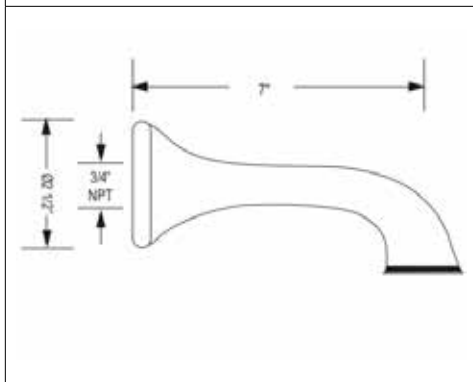
A4912TO Trim For Volume Control And 4-Port Dedicated Diverter



Suggested Retail Price

Handle	APC	PN	STN	IB	TCB	ULB
LC	334	368	485	485	485	
LM	204	225	357	357	357	357
LP	204	225	357	357	357	357
XC	334	368	485	485	485	
XM	204	225	357	357	357	357

- Rough valve sold separately
— Order R1040R 3/4" volume control rough valve: \$160
— Order R1062BO 4-port, 3-way dedicated diverter rough valve: \$319



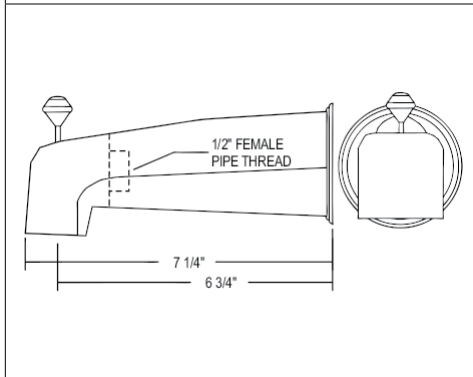
C2503 7" Wall Mount Tub Spout



Suggested Retail Price

APC	PN	STN	IB	TCB	ULB
193	213	251	275	275	275

- If 1/2" required, you may purchase a 3/4" x 1/2" nipple at any hardware store



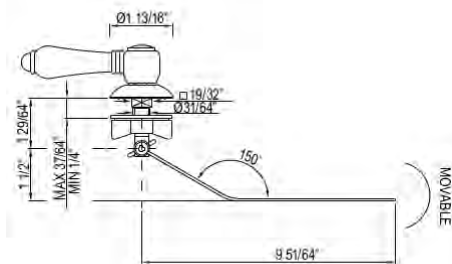
RT8000 Wall Mount Tub Spout With Integrated Diverter



Suggested Retail Price

APC	PN	STN	IB	TCB
146	219	219	790	610

- If using another rough valve other than the RCT-1 a twin ell may be required by the installer



C7950 Universal Tank Lever Trip Arm

Suggested Retail Price

Handle	APC	PN	STN	IB	TCB
LC	485	485	626	626	626
LM	349	349	448	448	448
LP	349	349	448	448	448



- Fits front, angle and side installations on toilet tanks

ROT1/18 Wall Mount 18" Single Towel Bar

Suggested Retail Price

APC	PN	STN	IB	TCB	ULB
211	211	251	251	251	334



- Length can be cut down

ROT1/24 Wall Mount 24" Single Towel Bar

Suggested Retail Price

APC	PN	STN	IB	TCB	ULB
224	224	259	259	259	359

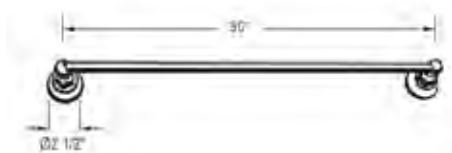


- Length can be cut down

ROT1/30 Wall Mount 30" Single Towel Bar

Suggested Retail Price

APC	PN	STN	IB	TCB
235	235	269	269	269



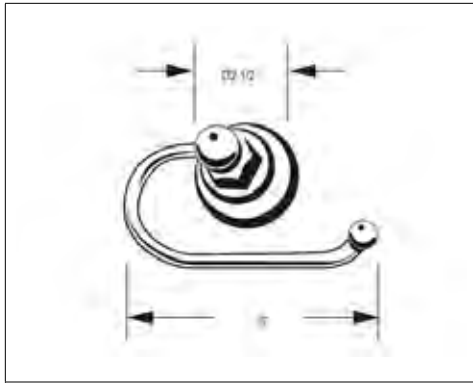
- Length can be cut down

A1482 Wall Mount Double Hand Towel Swiveling Bar

Suggested Retail Price

APC	PN	STN	IB	TCB
349	349	456	456	456





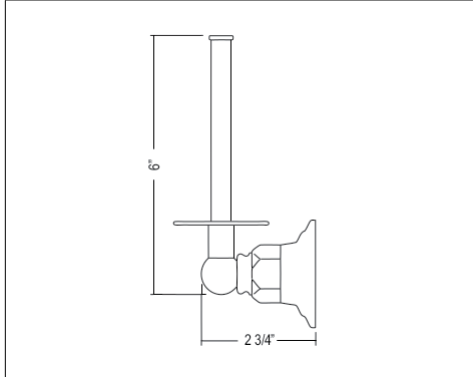
ROT8 Wall Mount Toilet Paper Holder

Suggested Retail Price

APC	PN	STN	IB	TCB	ULB
138	138	169	169	169	213



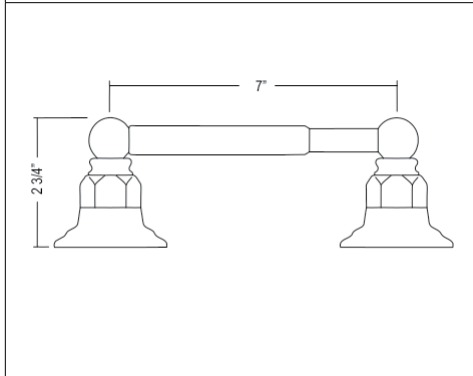
- Accommodates most oversized TP rolls



ROT19 Wall Mount Spare Toilet Paper Holder

Suggested Retail Price

APC	PN	STN	IB	TCB	ULB
180	180	216	216	216	



ROT18 Wall Mount Single Spring Loaded Toilet Paper Holder

Suggested Retail Price

APC	PN	STN	IB	TCB	ULB
235	235	279	279	279	335



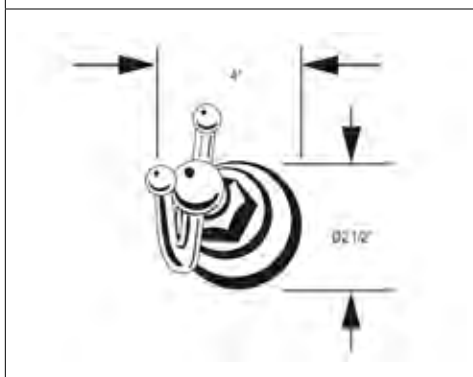
- Replacement roll holder available, order TROLLER



ROT4 Wall Mount Towel Ring

Suggested Retail Price

APC	PN	STN	IB	TCB	ULB
141	141	169	169	169	210

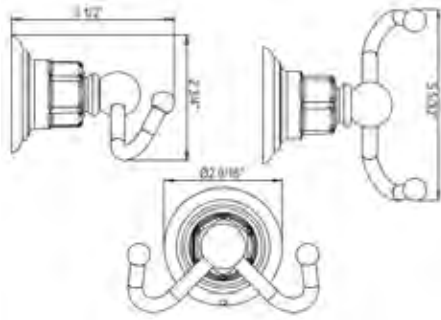


ROT7 Wall Mount Single Robe Hook

Suggested Retail Price

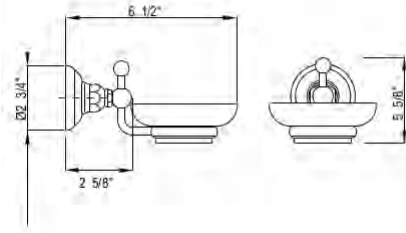
APC	PN	STN	IB	TCB	ULB
127	127	156	156	156	



**ROT7D** Wall Mount Double Robe Hook

Suggested Retail Price

APC	PN	STN	IB	TCB	ULB
142	142	161	161	161	209

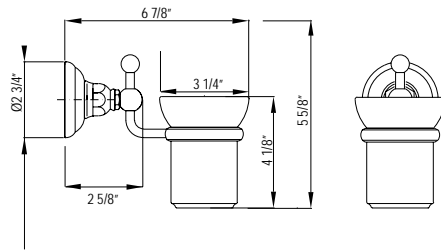
**A1487** Wall Mount Soap Dish

Suggested Retail Price

APC	PN	STN	IB	TCB
259	259	340	340	340



- Replacement dish part #: C1487/1

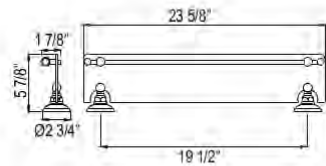
**A1488** Wall Mount Tumbler Holder

Suggested Retail Price

APC	PN	STN	IB	TCB
260	260	343	343	343



- Replacement tumbler part #: C1488/1

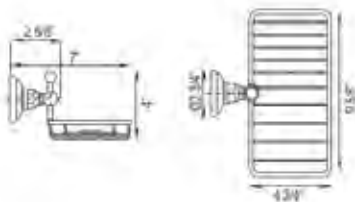
**A1480** Wall Mount 24" Glass Vanity Shelf

Suggested Retail Price

APC	PN	STN	IB	TCB
486	486	646	646	646



- Glass replacement part #: C1480/3

**A1493** Wall Mount Double Soap Holder Basket

Suggested Retail Price

APC	PN	STN	IB	TCB
312	312	415	415	415





APC



PN



STN



TCB



IB



ULB

SAN GIOVANNI

SORIANO

VERONA

VIAGGIO

VINCENT

WAVE

ROUGH

SHOWER

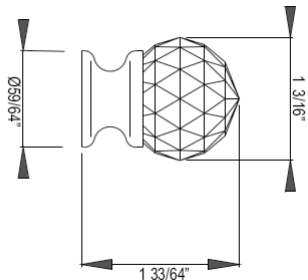
CARE & MAINTENANCE

TERMS

**ROT10** Wall Mount Hotel Style Towel Shelf

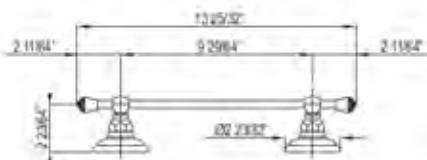
Suggested Retail Price

APC	PN	STN	IB	TCB
528	528	646	646	646

**A1479C** Swarovski® Crystal 1 3/16" Pull Knob

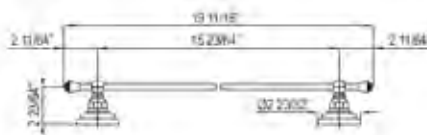
Suggested Retail Price

APC	PN	STN	IB	TCB
125	125	164	164	164

**A1483C** Swarovski® Crystal Wall Mount 12" Towel Bar

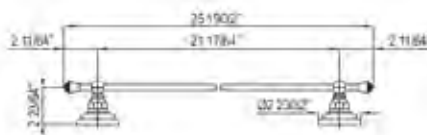
Suggested Retail Price

APC	PN	STN	IB	TCB
407	407	523	523	523

**A1484C** Swarovski® Crystal Wall Mount 18" Towel Bar

Suggested Retail Price

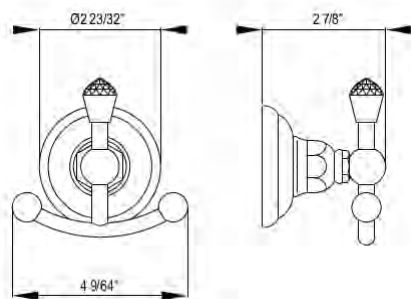
APC	PN	STN	IB	TCB
413	413	524	524	524

**A1486C** Swarovski® Crystal Wall Mount 24" Towel Bar

Suggested Retail Price

APC	PN	STN	IB	TCB
441	441	558	558	558

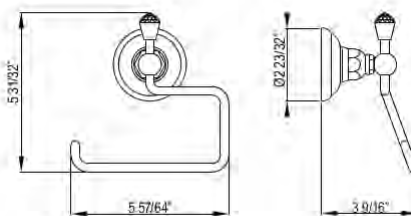




A1481C Swarovski® Crystal Wall Mount Double Robe Hook

Suggested Retail Price

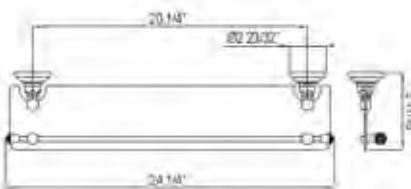
APC	PN	STN	IB	TCB
263	263	331	331	331



A1492C Swarovski® Crystal Wall Mount Toilet Paper Holder

Suggested Retail Price

APC	PN	STN	IB	TCB
313	313	400	400	400



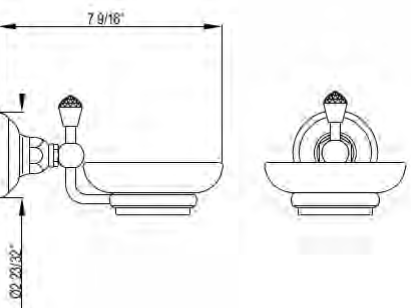
A1480C Swarovski® Crystal Wall Mount 24" Glass Vanity Shelf

Suggested Retail Price

APC	PN	STN	IB	TCB
549	549	703	703	703



- Glass replacement part #: C1480/3



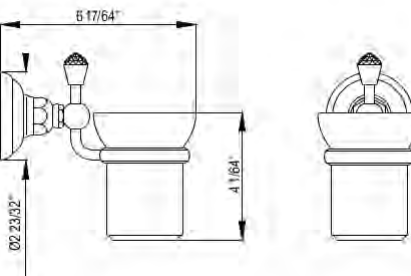
A1487C Swarovski® Crystal Wall Mount Soap Dish

Suggested Retail Price

APC	PN	STN	IB	TCB
295	295	376	376	376



- Replacement dish part #: C1487/1



A1488C Swarovski® Crystal Wall Mount Tumbler Holder

Suggested Retail Price

APC	PN	STN	IB	TCB
296	296	377	377	377



- Replacement tumbler part #: C1488/1



PRESSURE BALANCE SHOWER OPTION 1

Model	Description	Suggested Retail Price
		Polished Chrome
A1410	Trim	352
B0314	Handshower	119
D800	Handshower Bar	376
1295	Outlet	99
16295	Hose	51
RCT-1	Rough	203
Total Package List Price With Roughs		1,200

Note: Sample configuration priced in Polished Chrome. Other configurations and finishes available. Complete your Shower experience by including one of our decorative drain options.



PRESSURE BALANCE SHOWER OPTION 2

Model	Description	Suggested Retail Price
		Polished Chrome
A2410	Trim	424
WI0197	Showerhead	172
1440/6	Shower Arm	77
1101/8E	Handshower	213
D800	Handshower Bar	376
1295	Outlet	99
16295	Hose	51
RDD-2	Rough	326
Total Package List Price With Roughs		1,738

Note: Sample configuration priced in Polished Chrome. Other configurations and finishes available. Complete your Shower experience by including one of our decorative drain options.

SAN GIOVANNI

SORIANO

VERONA

VIAGGIO

VINCENT

WAVE

ROUGHS

SHOWER

CARE & MAINTENANCE

TERMS



1/2" THERMOSTATIC SHOWER OPTION 1

Suggested Retail Price

Model	Description	Polished Chrome
A4964	Trim	566
1037/8	Showerhead	501
1120/12	Shower Arm	70
B0314	Handshower	119
1201	Handshower Bar	422
1295	Outlet	99
16295	Hose	51
R1055BD	Rough	524
Total Package List Price With Roughs		2,352
R1052BD	Rough (No Share)	449
Total Package List Price With Roughs		2,277

Note: Sample configuration priced in Polished Chrome. Other configurations and finishes available. Complete your Shower experience by including one of our decorative drain options.

1/2" THERMOSTATIC SHOWER OPTION 2

Suggested Retail Price

Model	Description	Polished Chrome
A4964	Trim	566
1037/8	Showerhead	501
1120/12	Shower Arm	70
1047/8	Ceiling Showerhead	1,163
1505/3	Ceiling Shower Arm	107
B0314	Handshower	119
1201	Handshower Bar	422
1295	Outlet	99
16295	Hose	51
R1055BD	Rough	524
Total Package List Price With Roughs		3,622
R1053BD	Rough (No Share)	524
Total Package List Price With Roughs		3,622

Note: Sample configuration priced in Polished Chrome. Other configurations and finishes available. Complete your Shower experience by including one of our decorative drain options.



1/2" THERMOSTATIC SHOWER OPTION 3

		Suggested Retail Price
Model	Description	Polished Chrome
A4964	Trim	566
1037/8	Showerhead	501
1120/12	Shower Arm	70
B0314	Handshower	119
CD8000	Handshower Bracket	149
16295	Hose	51
C2503	Tub Spout	193
Total Package List Price With Roughs		2,173
R1053BD	Rough (No Share)	524
Total Package List Price With Roughs		2,173

Note: Sample configuration priced in Polished Chrome. Other configurations and finishes available. Complete your Shower experience by including one of our decorative drain options.



3/4" THERMOSTATIC SHOWER OPTION 1

		Suggested Retail Price
Model	Description	Polished Chrome
A4914	Trim	388
1037/8	Showerhead	501
1120/12	Shower Arm	70
B0314	Handshower	119
1201	Handshower Bar	422
1295	Outlet	99
16295	Hose	51
A4912 (x3)	Volume Controls (x3)	204
1095/8 (x2)	Body Sprays (x2)	355
1005N	Rough	369
R1040R (x3)	Volume Control Rough (x3)	160
Total Package List Price With Roughs		3,821

Note: Sample configuration priced in Polished Chrome. Other configurations and finishes available. Complete your Shower experience by including one of our decorative drain options.

VINCENT™

Authentically Crafted in Italy

Located just outside of the Piemonte Region in Italy lies the mountain resort of Saint Vincent, for which the Vincent™ Collection has been named. Transitional in style, walking the line between traditional and contemporary, the design emphasizes quality and engineering. Utilizing advanced manufacturing techniques, the Italian craftsmen have paid extreme attention to detail using elegant natural lines to achieve this transitional look.



Handle Options



*Metal Lever
LV*

Available Finishes:



*Polished Chrome
APC*



*Polished Nickel
PN*



*Satin Nickel
STN*

See product page for available finishes

A1008LNAPC

SAN GIOVANNI

SORIANO

VERONA

VIAGGIO

VINCENT

WAVE

ROUGH

SHOWER

CARE & MAINTENANCE

TERMS

SERIES HIGHLIGHTS

FAUCETS



A3002
page 344

A1008
page 344

TUB FILLERS



A1004
page 344

AKIT3001N
page 344

A1003
Page 346

SHOWER TRIMS



A1010
page 345

A2010N
page 346

A4014
page 346

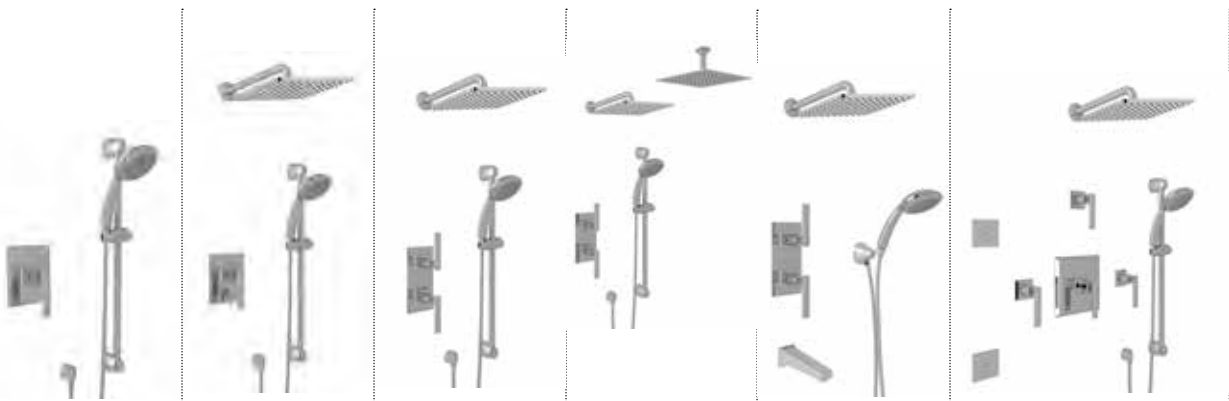
A4064
page 346

PRESSURE BALANCE

1/2" THERMOSTATIC

3/4" THERMOSTATIC

SHOWER PACKAGES



page 349

page 349

page 350

page 350

page 351

page 351



OTHER CONSIDERATIONS

See product page for available finishes.



SLM06
page 376



NEW **I00598**
page 375



WI0195
page 378



I00625
page 377



1505/6
page 385



B01168
page 388



B00177
page 389



SDPVC2/3-3142
page 408



1340
page 396



C21000
page 404



1265
page 397



L00362
page 390



VIN1/24
page 347



VIN8
page 347



VIN4
page 347



VIN7
page 347



SB1814
Shaws® Price Book



SB2015
Shaws® Price Book



EDGE 45
Victoria + Albert® Price Book



EDGE
Victoria + Albert® Price Book

SHOWER

ACCESSORIES

BATH FIXTURES



APC



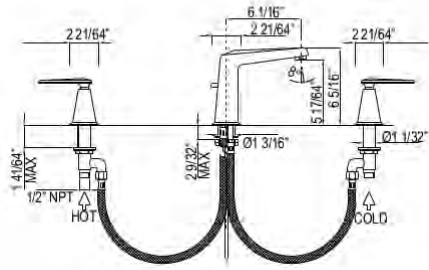
PN



STN



A1008 Vincent™ High Neck Widespread Lavatory Faucet

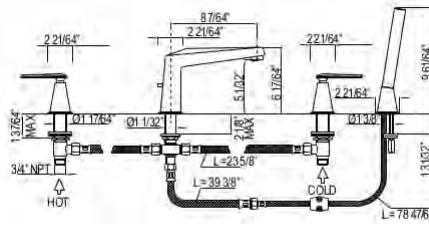


• 1.2 GPM

Suggested Retail Price

Handle	APC	PN	STN
LV	1,365	1,365	1,876

A1004 Vincent™ 4-Hole Deck Mount Tub Filler With Handshower

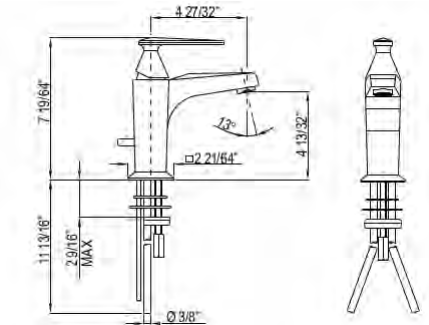


• Matching lav set A1008LV
• 9 GPM at 60 PSI

Suggested Retail Price

Handle	APC	PN	STN
LV	2,935	2,935	3,807

A3002 Vincent™ Single Handle Lavatory Faucet

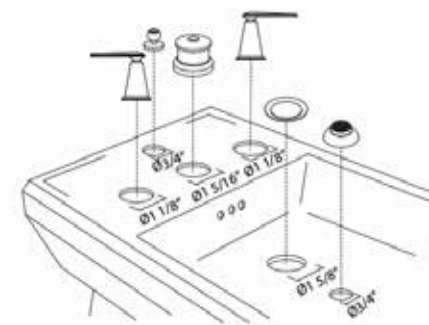


• 1.2 GPM

Suggested Retail Price

Handle	APC	PN	STN
LV	1,169	1,169	1,516

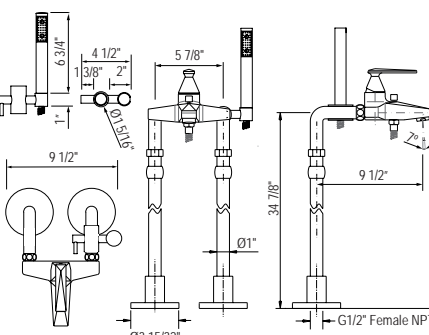
A1060 Vincent™ 5-Hole Bidet Faucet



Suggested Retail Price

Handle	APC	PN	STN
LV	2,028	2,391	2,630

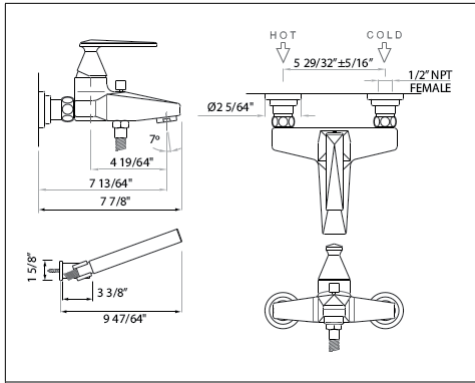
AKIT3001N Vincent™ Exposed Floor Mount Tub Filler With Handshower And Floor Pillar Legs Or Supply Unions



• 5.8 GPM at 60 PSI
• Kit includes:
— A3001N
— ZA386 floor legs
• 2" straight union extensions available, order part # C7205EXT+FINISH for a set of two.

Suggested Retail Price

Handle	APC	PN	STN
LV	2,976	3,094	4,003



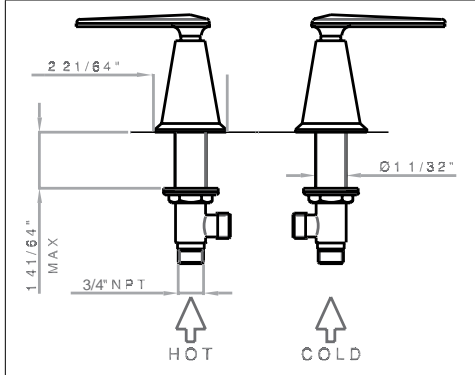
A3001 Vincent™ Wall Mount Exposed Tub Set With Handshower

Suggested Retail Price

Handle	APC	PN	STN
LV	1,792	1,792	2,329



- Wall mount only. Cannot be installed with iron tub unions or deck unions.
- 5.8 GPM at 60 PSI
- 2" straight union extensions available, order part # C7205EXT+FINISH for a set of two.



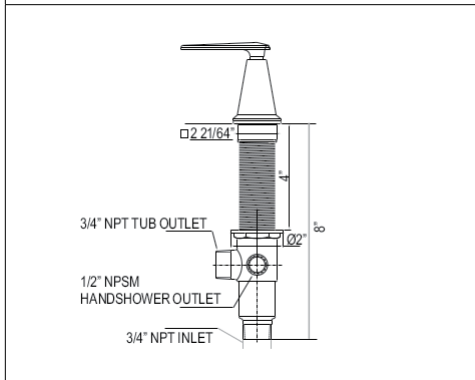
A7022 Set Of Hot & Cold 3/4" Sidevalves

Suggested Retail Price

Handle	APC	PN	STN
LV	1,112	1,112	1,487



- For use on bathtubs with integrated tub spouts



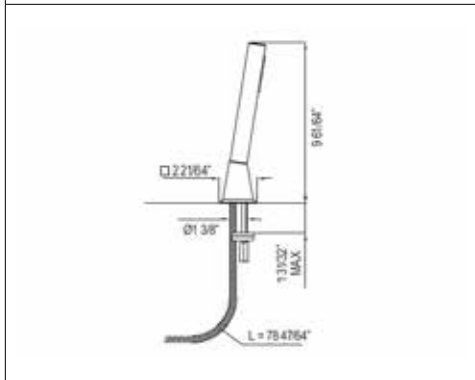
A1017 Vincent™ Deck Mount 3-Port 2 Direction Diverter

Suggested Retail Price

Handle	APC	PN	STN
LV	697	697	797



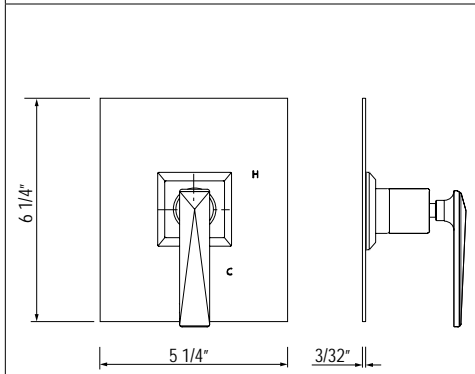
- If installing A1017LV with 3-Hole tub filler to make a custom 5-Hole tub filler, must order separate 5HOLEINSTALLKIT to complete installation



A7139 Vincent™ Deck Mount Handshower With Hose And Escutcheon

Suggested Retail Price

APC	PN	STN
751	751	930



A1010 Vincent™ 1/2" Pressure Balance Trim Without Diverter

Suggested Retail Price

Handle	APC	PN	STN
LV	504	518	646



- Rough valve sold separately
— Order RCT-1 1/2" pressure balance rough valve: \$203



SAN GIOVANNI

SORIANO

VERONA

VIAGGIO

VINCENT

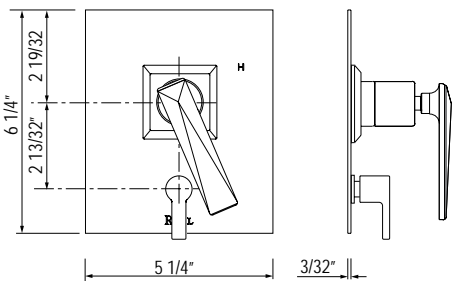
WAVE

ROUGHS

SHOWER

CARE & MAINTENANCE

TERMS



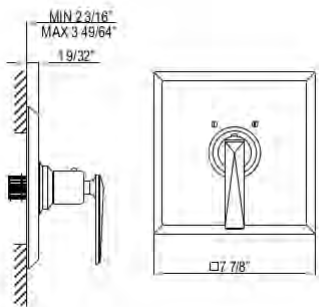
A2010N Vincent™ 1/2" Pressure Balance Trim With Diverter

Suggested Retail Price

Handle	APC	PN	STN
LV	576	589	723



- Rough valve sold separately
 - Order RDD-2 1/2" pressure balance rough valve: \$326



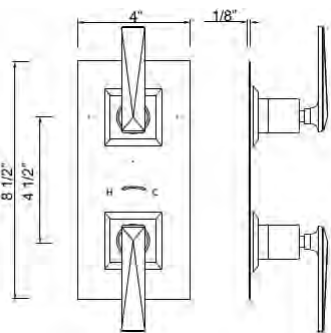
A4014 Vincent™ 3/4" Thermostatic Trim Without Volume Control

Suggested Retail Price

Handle	APC	PN	STN
LV	748	748	971



- Rough valve sold separately
 - Order 1005N 3/4" thermostatic rough valve: \$369



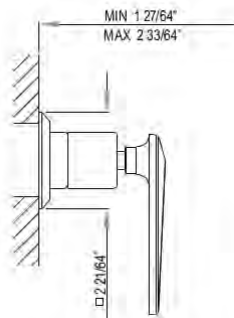
A4064 Vincent™ 1/2" Thermostatic Trim with Diverter

Suggested Retail Price

Handle	APC	PN	STN
LV	880	880	1,107



- Rough valve sold separately
 - Order R1051BV 1/2" thermostatic 1 function rough valve: \$448
 - Order R1052BD 1/2" thermostatic 2 function rough valve: \$449
 - Order R1053BD 1/2" thermostatic 3 function rough valve: \$524
 - Order R1055BD 1/2" thermostatic 5 function rough valve: \$524



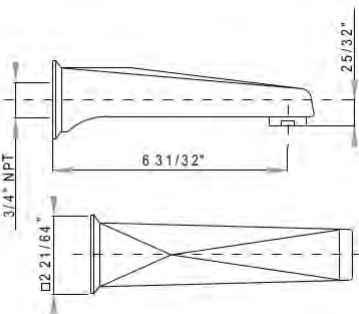
A4012 Vincent™ Trim For Volume Control And 4-Port Dedicated Diverter

Suggested Retail Price

Handle	APC	PN	STN
LV	361	361	466



- Rough valve sold separately
 - Order R1040R 3/4" volume control rough valve: \$160
 - Order R1062BO 4-port, 3-way dedicated diverter rough valve: \$319



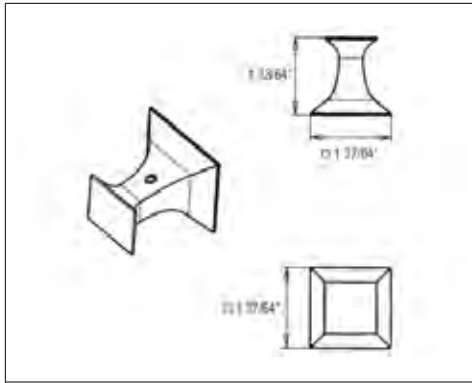
A1003 Vincent™ Wall Mount Tub Spout

Suggested Retail Price

APC	PN	STN
359	359	463



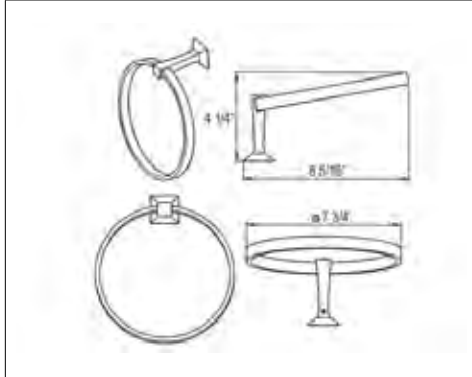
- If 1/2" required, you may purchase a 3/4" x 1/2" nipple at any hardware store



VIN7 Vincent™ Wall Mount Single Robe Hook


Suggested Retail Price

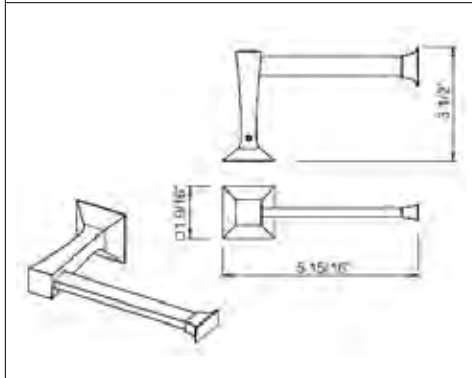
APC	PN	STN
64	76	80



VIN4 Vincent™ Wall Mount Towel Ring


Suggested Retail Price

APC	PN	STN
237	255	269



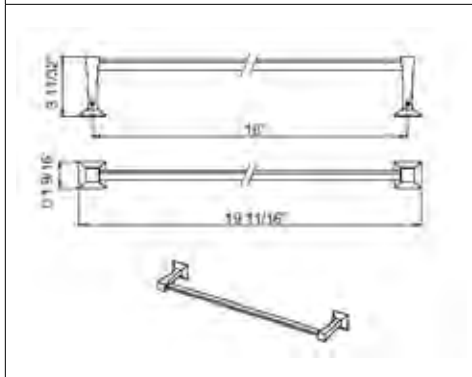
VIN8 Vincent™ Wall Mount Single Toilet Paper Holder



- Accommodates oversized toilet paper rolls

Suggested Retail Price

APC	PN	STN
148	165	171



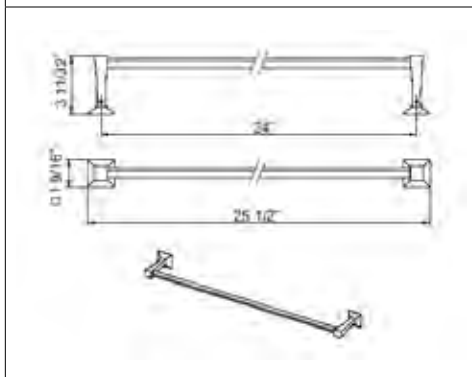
VIN1/18 Vincent™ 18" Wall Mount Single Towel Bar



- Cannot be cut

Suggested Retail Price

APC	PN	STN
216	240	260



VIN1/24 Vincent™ Wall Mount 24" Single Towel Bar



- Cannot be cut

Suggested Retail Price

APC	PN	STN
225	249	268



SAN GIOVANNI

SORIANO

VERONA

VIAGGIO

VINCENT

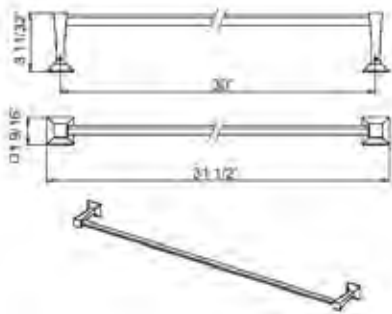
WAVE

ROUGH

SHOWER

CARE & MAINTENANCE

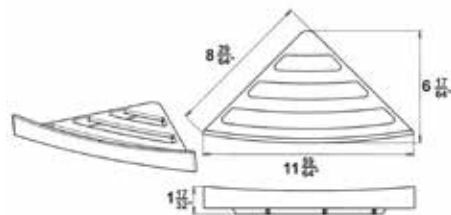
TERMS



VIN1/30 Vincent™ Wall Mount Single 30" Towel Bar

Suggested Retail Price

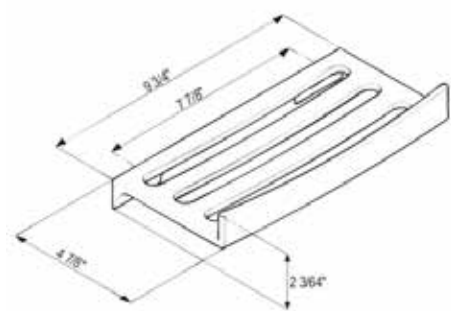
APC	PN	STN
249	270	292



VIN17 Vincent™ Wall Mount Corner Basket

Suggested Retail Price

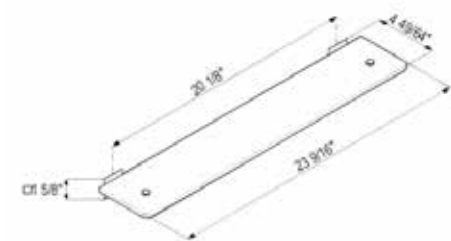
APC	PN	STN
199	292	303



VIN42 Vincent™ Wall Mount Sponge Holder

Suggested Retail Price

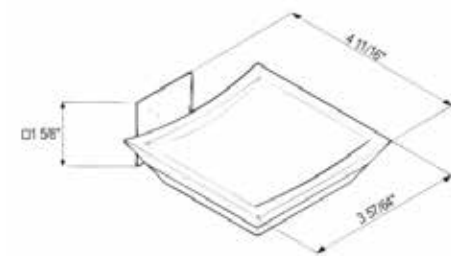
APC	PN	STN
254	325	337



VIN12 Vincent™ Wall Mount Glass Vanity Shelf

Suggested Retail Price

APC	PN	STN
255	287	304



VIN1487 Vincent™ Wall Mount Acrylic Soap Dish

Suggested Retail Price

APC	PN	STN
237	260	270





PRESSURE BALANCE SHOWER OPTION 1

Model	Description	Suggested Retail Price
		Polished Chrome
A1010LV	Trim	504
B00102	Handshower	149
D63000	Handshower Bar	153
E824	Outlet	64
16295	Hose	51
RCT-1	Rough	203
Total Package List Price With Roughs		1,124

Note: Sample configuration priced in Polished Chrome. Other configurations and finishes available. Complete your Shower experience by including one of our decorative drain options.



PRESSURE BALANCE SHOWER OPTION 2

Model	Description	Suggested Retail Price
		Polished Chrome
A2010LV	Trim	576
I00598	Showerhead	599
1120/12	Shower Arm	70
B00102	Handshower	149
D63000	Handshower Bar	153
E824	Outlet	64
16295	Hose	51
RDD-2	Rough	326
Total Package List Price With Roughs		1,988

Note: Sample configuration priced in Polished Chrome. Other configurations and finishes available. Complete your Shower experience by including one of our decorative drain options.



1/2" THERMOSTATIC SHOWER OPTION 1

Suggested Retail Price

Model	Description	Polished Chrome
A4064LV	Trim	880
I00598	Showerhead	599
1120/12	Shower Arm	70
B00102	Handshower	149
D63000	Handshower Bar	153
E824	Outlet	64
16295	Hose	51
Total Package List Price With Roughs		2,490
R1052BD	Rough (No Share)	449
Total Package List Price With Roughs		2,415

Note: Sample configuration priced in Polished Chrome. Other configurations and finishes available. Complete your Shower experience by including one of our decorative drain options.

1/2" THERMOSTATIC SHOWER OPTION 2

Suggested Retail Price

Model	Description	Polished Chrome
A4064LV	Trim	880
I00598	Showerhead	599
1120/12	Shower Arm	70
SLM06	Ceiling Showerhead	723
1505/3	Ceiling Shower Arm	107
B00102	Handshower	149
D63000	Handshower Bar	153
E824	Outlet	64
16295	Hose	51
Total Package List Price With Roughs		3,320
R1053BD	Rough (No Share)	524
Total Package List Price With Roughs		3,320

Note: Sample configuration priced in Polished Chrome. Other configurations and finishes available. Complete your Shower experience by including one of our decorative drain options.



1/2" THERMOSTATIC SHOWER OPTION 3

Model	Description	Suggested Retail Price
		Polished Chrome
A4064LV	Trim	880
I00598	Showerhead	599
1120/12	Shower Arm	70
B00102	Handshower	149
C21000	Handshower Bracket	114
16295	Hose	51
A1003	Tub Spout	359
R1055BD	Rough	524
Total Package List Price With Roughs		2,746
R1053BD	Rough (No Share)	524
Total Package List Price With Roughs		2,746

Note: Sample configuration priced in Polished Chrome. Other configurations and finishes available. Complete your Shower experience by including one of our decorative drain options.



3/4" THERMOSTATIC SHOWER OPTION 1

Model	Description	Suggested Retail Price
		Polished Chrome
A4014LV	Trim	748
I00598	Showerhead	599
1120/12	Shower Arm	70
B00102	Handshower	149
D63000	Handshower Bar	153
E824	Outlet	64
16295	Hose	51
A4012LV (x3)	Volume Controls (x3)	361
24960 (x2)	Body Sprays (x2)	438
1005N	Rough	369
R1040R (x3)	Volume Control Rough (x3)	160
Total Package List Price With Roughs		4,642

Note: Sample configuration priced in Polished Chrome. Other configurations and finishes available. Complete your Shower experience by including one of our decorative drain options.

WAVE™

Authentically Crafted in Italy

The Wave™ Collection of stylish bath fixtures has been created exclusively for ROHL® by designer Nevio Tellatin. This Collection of faucets and shower fixtures offers an ultra-modern interpretation of classic modern style. The collections sleek simplicity is defined by flowing curves and clean, crisp lines that complement any modern décor. Wave™ products are available in three-hole and single lever faucets with coordinating tub fillers.



Handle Options



*Metal Lever
LM*

Available Finishes:



*Polished Chrome
APC*



*Satin Nickel
STN*

See product page for available finishes

WA102LAPC

SAN GIOVANNI

SORIANO

VERONA

VIAGGIO

VINCENT

WAVE

ROUGH

SHOWER

CARE &
MAINTENANCE

TERMS

SERIES HIGHLIGHTS

SAN GIOVANNI

SORIANO

FAUCETS



WA652
page 356



WA102
page 356



WA751
page 356

VERONA

VIAGGIO

TUB FILLERS



WA26
page 356



WA721
page 358



WA24
page 358

VINCENT

WAVE

SHOWER TRIMS



WA111
page 358



WA210N
page 359



WA720
page 359



WA390L
page 359

ROUGH

SHOWER

SHOWER PACKAGES

PRESSURE BALANCE



page 363



page 363

1/2" THERMOSTATIC



page 364



page 364

3/4" THERMOSTATIC



page 365



page 365

CARE & MAINTENANCE

TERMS



OTHER CONSIDERATIONS

See product page for available finishes.



I00597
page 374



SLM06
page 376



WI0195
page 378



I00180
page 378



1510/3
page 384



B00177
page 389



B0315
page 387



SDPVC2/3-3143
page 408



1340
page 396



1266
page 360



L00362
page 390



L0095KIT1
page 390



QU102
page 360



QU420
page 361



QU220
page 360



QU710
page 361



SB1715
Shaws® Price Book



SB2321
Shaws® Price Book



iOS 54
Victoria + Albert® Price Book



TRIVENTO
Victoria + Albert® Price Book

SHOWER

ACCESSORIES

BATH FIXTURES

SAN GIOVANNI

SORIANO

VERONA

VIAGGIO

VINCENT

WAVE

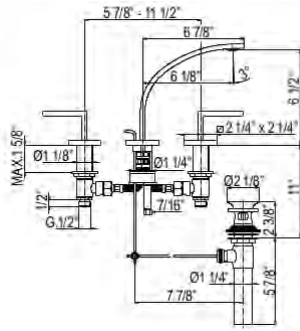
ROUGHS

SHOWER

CARE & MAINTENANCE

TERMS





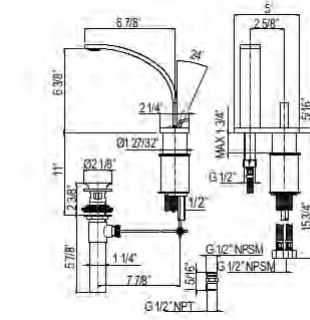
WA102 Wave™ Widespread Lavatory Faucet

Suggested Retail Price

Handle	APC	STN
L	1,573	2,243



- 1.2 GPM
- Matching tub filler WA26L



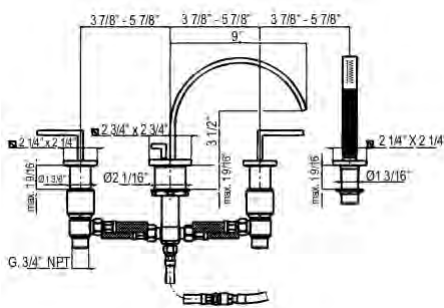
WA652 Wave™ Single Handle Deck Mount Lavatory Faucet

Suggested Retail Price

Handle	APC	STN
L	2,548	3,533



- 1.2 GPM
- Does not fit pedestal sinks
- Matching tub filler WA26L



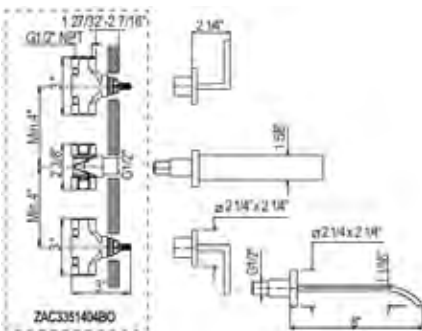
WA26 Wave™ 4-Hole Deck Mount Tub Filler With Lever Handles And Handshower

Suggested Retail Price

Handle	APC	STN
L	3,281	4,588



- 16 GPM
- Matching lavatory faucet WA102L



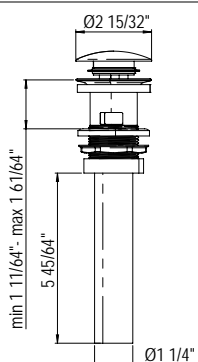
WA751 Wave™ Wall Mount Widespread Lavatory Faucet

Suggested Retail Price

Handle	APC	STN
L	1,305	1,881



- Rough valve sold separately
— Order ZAC3351104BO wall rough valve: \$267
- 1.2 GPM
- Drain assembly not included with faucet. Must order drain to complete.
- Matching tub filler WA721L



NEW

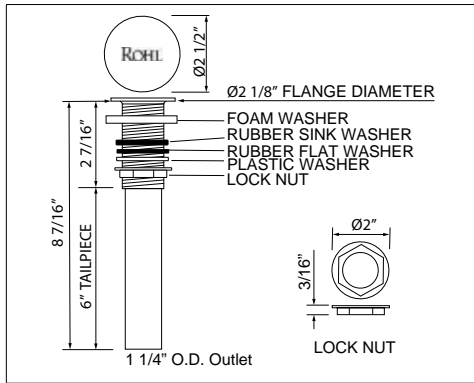
CC2310FWO Touch Seal Dome Drain for Overflow and No-Overflow Sinks

Suggested Retail Price

APC	STN	MB	SG
128	160	166	182



- Available: Summer 2020

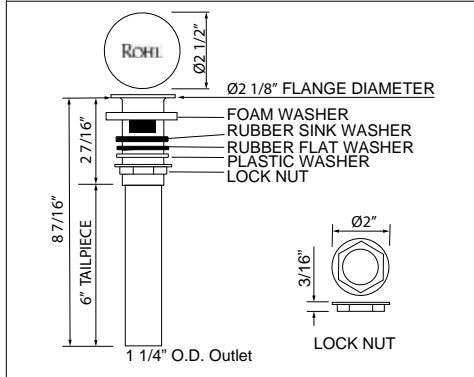


5445 Touch Seal Dome Drain With 6" Tailpiece for No-Overflow Sinks



Suggested Retail Price

APC	STN
277	277

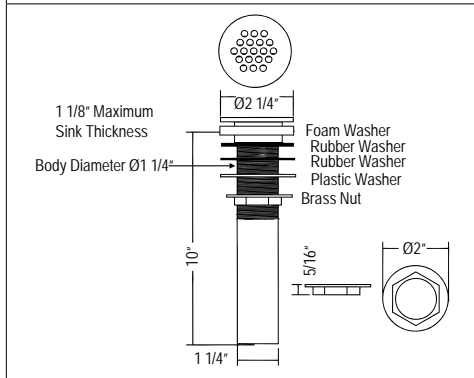


5447 Slotted Touch Seal Dome Drain With 6" Tailpiece for Overflow Sinks



Suggested Retail Price

APC	STN
277	277

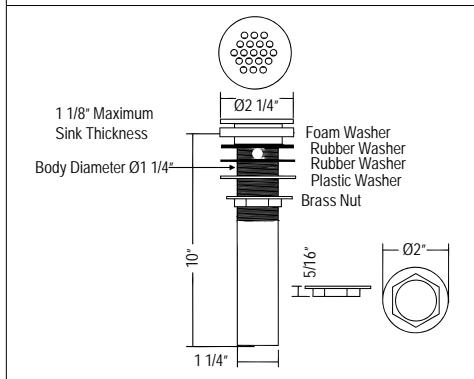


6442 Non Slotted Grid Drain for No-Overflow Sinks



Suggested Retail Price

APC	STN
249	249

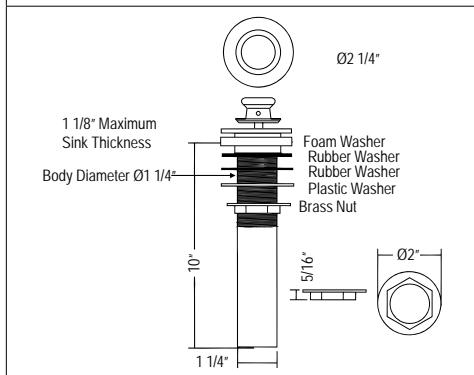


7444 Grid Drain for Overflow Sinks



Suggested Retail Price

APC	STN
249	249

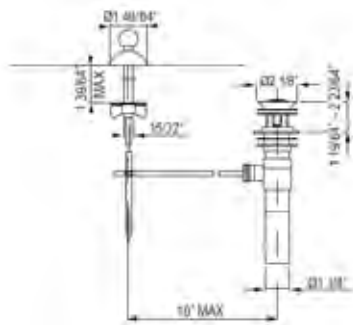


8446 Lift And Turn Drain for No-Overflow Sinks



Suggested Retail Price

APC	STN
281	281

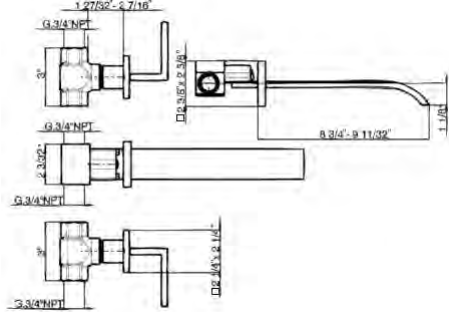


CNZREMOTE Remote Pop-Up Set


Suggested Retail Price

APC	STN
198	310

- Not for use with vessel bowls or bowls without overflow

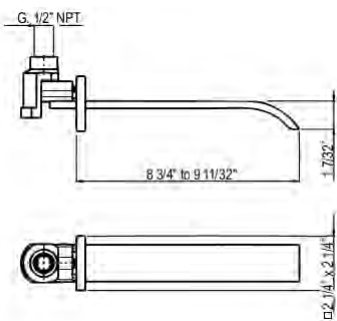


WA721 Wave™ 3-Hole Wall Mount Tub Filler With Lever Handles


Suggested Retail Price

Handle	APC	STN
L	1,819	2,541

- Spout connection and rough for wall valves are an integrated assembly. Do not set finish wall until the rough assembly is installed.
- Matching lavatory faucet WA102L
- Order two roughs to complete set for hot and cold levers
- Must also order a clockwise cartridge ZZ93822 to install on the cold side: \$148
- Rough valve sold separately
 - Order ZA33BO 3/4" volume control rough valve: \$150

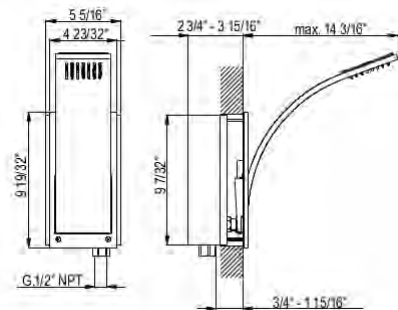


WA24 Wave™ Wall Mount Tub Spout


Suggested Retail Price

APC	STN
1,065	1,488

- 8-10 GPM

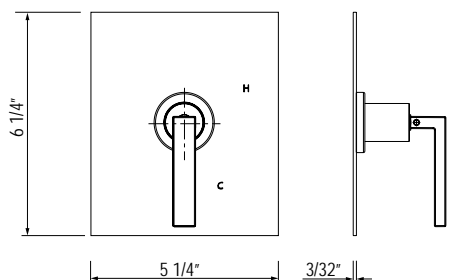


WA1319 Wave™ Integrated Shower Arm And Showerhead


Suggested Retail Price

APC	STN
3,745	4,064

- Flow rate 1.8 GPM
- Must be installed at framing stage

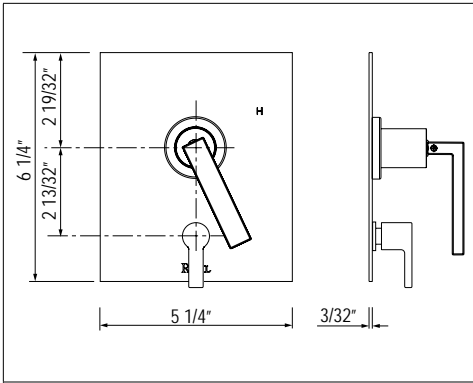


WA111 Wave™ 1/2" Pressure Balance Trim Without Diverter


Suggested Retail Price

Handle	APC	STN
L	435	580

- Rough valve sold separately
 - Order RCT-1 1/2" pressure balance rough valve: \$203

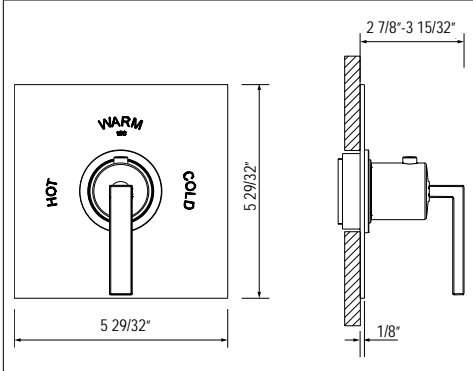


WA210N Wave™ 1/2" Pressure Balance Trim With Diverter



Suggested Retail Price		
Handle	APC	STN
L	507	657

- Rough valve sold separately
 - Order RDD-2 1/2" pressure balance rough valve: \$326

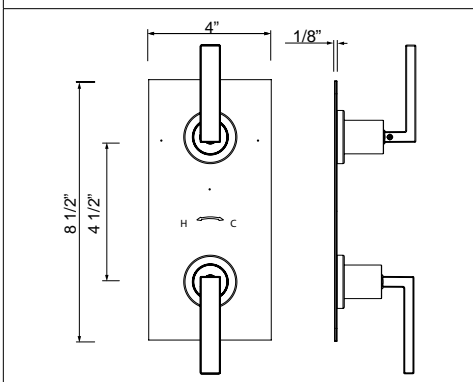


WA720 Wave™ 3/4" Thermostatic Trim Without Volume Control



Suggested Retail Price		
Handle	APC	STN
L	364	485

- Rough valve sold separately
 - Order 1005N 3/4" thermostatic rough valve: \$369

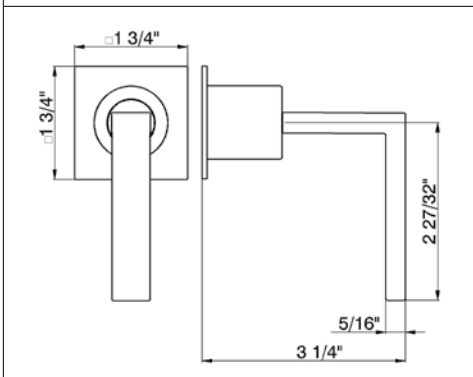


WA390L Wave™ 1/2" Thermostatic Trim with Diverter



Suggested Retail Price		
Handle	APC	STN
L	742	975

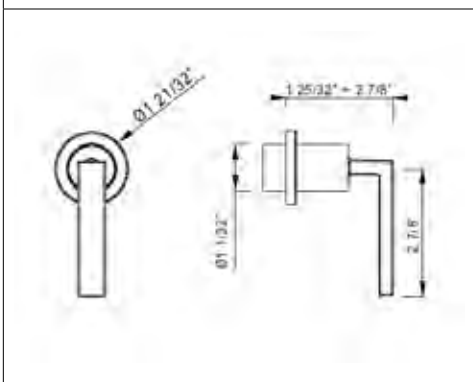
- Rough valve sold separately
 - Order R1051BV 1/2" thermostatic 1 function rough valve: \$448
 - Order R1052BD 1/2" thermostatic 2 function rough valve: \$449
 - Order R1053BD 1/2" thermostatic 3 function rough valve: \$524
 - Order R1055BD 1/2" thermostatic 5 function rough valve: \$524



WA31 Wave™ Trim For Volume Control



Suggested Retail Price		
Handle	APC	STN
L	372	517

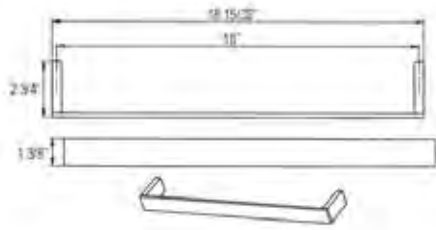


WA195 Wave™ Trim For Volume Control And Diverter



Suggested Retail Price		
Handle	APC	STN
L	292	400

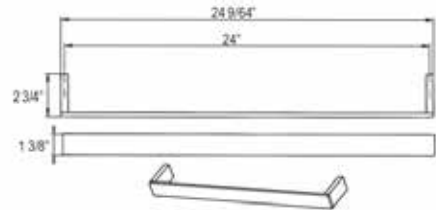
- Rough valve sold separately
 - Order R1040R 3/4" volume control rough valve: \$160
 - Order R1062BO 4-port, 3-way dedicated diverter rough valve: \$319

**QU101** Quartile™ Wall Mount 18" Single Towel Bar**Suggested Retail Price**

APC	STN
270	310



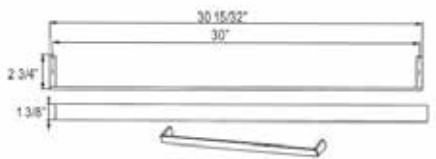
- Cannot be cut

**QU102** Quartile™ Wall Mount 24" Single Towel Bar**Suggested Retail Price**

APC	STN
331	370



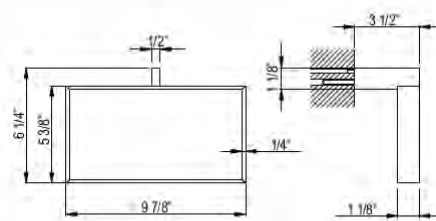
- Cannot be cut

**QU103** Quartile™ Wall Mount 30" Single Towel Bar**Suggested Retail Price**

APC	STN
455	500



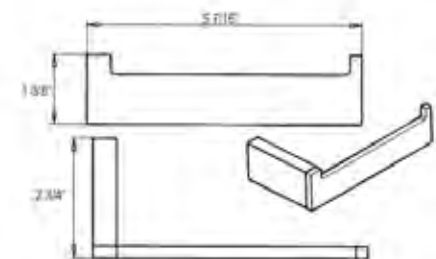
- Cannot be cut

**QU220** Quartile™ Wall Mount Rectangular Towel Holder Ring**Suggested Retail Price**

APC	STN
625	877



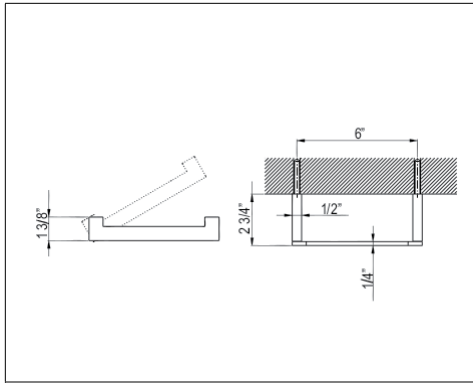
- Optional 2" x 1 1/4" rectangular wall escutcheon or back plate QU220BP available for added wall support, contact ROHL Customer Care

**QU400** Quartile™ Wall Mount Toilet Paper Holder**Suggested Retail Price**

APC	STN
155	179



- Accommodates oversized toilet paper rolls



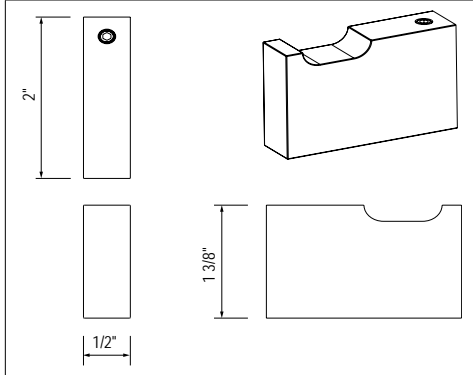
QU420 Quartile™ Wall Mount Swing Arm Toilet Paper Holder With Lift Arm



- Accommodates oversized toilet paper rolls

Suggested Retail Price

APC	STN
288	335



QU710 Quartile™ Wall Mount Single Robe/Towel Hook



Suggested Retail Price

APC	STN
84	105

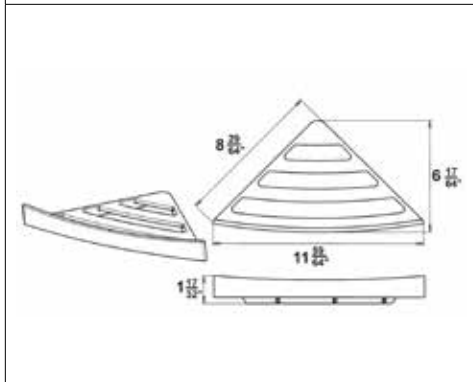


SY300 Lombardia® Wall Mount 24" Hotel Style Towel Shelf



Suggested Retail Price

APC	STN
1,308	1,823

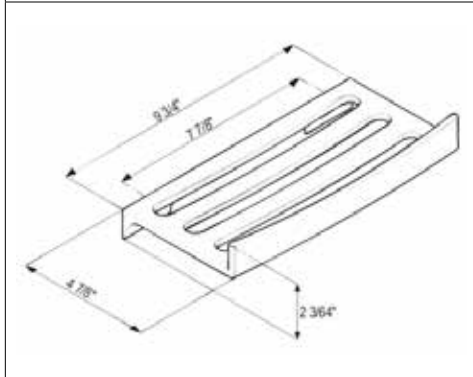


VIN17 Vincent™ Wall Mount Corner Basket



Suggested Retail Price

APC	STN
199	303

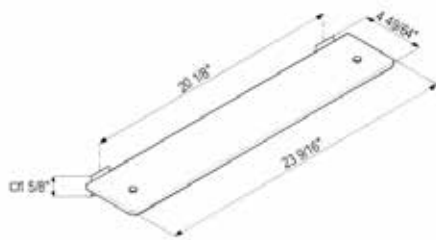


VIN42 Vincent™ Wall Mount Sponge Holder



Suggested Retail Price

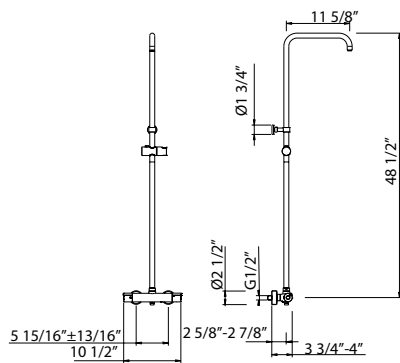
APC	STN
254	337



VIN12 Vincent™ Wall Mount Glass Vanity Shelf

Suggested Retail Price

APC	STN
255	304



C72 Mod-Fino Exposed Wall Mount Thermostatic Shower With Diverter, Riser And Sliding Handshower Parking Bracket

Suggested Retail Price

APC	STN
616	874





PRESSURE BALANCE SHOWER OPTION 1

Model	Description	Suggested Retail Price
		Polished Chrome
WA111	Trim	435
B00188	Handshower	109
1650	Handshower Bar	331
1795	Outlet	226
16295	Hose	51
RCT-1	Rough	203
Total Package List Price With Roughs		1,355

Note: Sample configuration priced in Polished Chrome. Other configurations and finishes available. Complete your Shower experience by including one of our decorative drain options.



PRESSURE BALANCE SHOWER OPTION 2

Model	Description	Suggested Retail Price
		Polished Chrome
WA210	Trim	507
I00597	Showerhead	459
1120/12	Shower Arm	70
B00188	Handshower	109
1650	Handshower Bar	331
1795	Outlet	226
16295	Hose	51
RDD-2	Rough	326
Total Package List Price With Roughs		2,079

Note: Sample configuration priced in Polished Chrome. Other configurations and finishes available. Complete your Shower experience by including one of our decorative drain options.



1/2" THERMOSTATIC SHOWER OPTION 1

Model	Description	Suggested Retail Price
		Polished Chrome
WA390	Trim	742
I00598	Showerhead	599
1120/12	Shower Arm	70
B00188	Handshower	109
1650	Handshower Bar	331
1795	Outlet	226
16295	Hose	51
R1055BD	Rough	524
Total Package List Price With Roughs		2,652
R1052BD	Rough (No Share)	449
Total Package List Price With Roughs		2,577

Note: Sample configuration priced in Polished Chrome. Other configurations and finishes available. Complete your Shower experience by including one of our decorative drain options.

1/2" THERMOSTATIC SHOWER OPTION 2

Model	Description	Suggested Retail Price
		Polished Chrome
WA390	Trim	742
I00598	Showerhead	599
1120/12	Shower Arm	70
SLM06	Ceiling Showerhead	723
1505/3	Ceiling Shower Arm	107
B00188	Handshower	109
1630	Handshower Bracket	138
16295	Hose	51
R1055BD	Rough	524
Total Package List Price With Roughs		3,063
R1053BD	Rough (No Share)	524
Total Package List Price With Roughs		3,063

Note: Sample configuration priced in Polished Chrome. Other configurations and finishes available. Complete your Shower experience by including one of our decorative drain options.



1/2" THERMOSTATIC SHOWER OPTION 3

		Suggested Retail Price
Model	Description	Polished Chrome
WA390	Trim	742
I00598	Showerhead	599
1120/12	Shower Arm	70
B00188	Handshower	109
1650	Handshower Bar	331
1795	Outlet	226
16295	Hose	51
WA24	Tub Spout	1,065
Total Package List Price With Roughs		3,717
R1055BD	Rough	524
Total Package List Price With Roughs		3,717
R1053BD	Rough (No Share)	524
Total Package List Price With Roughs		3,717

Note: Sample configuration priced in Polished Chrome. Other configurations and finishes available. Complete your Shower experience by including one of our decorative drain options.



3/4" THERMOSTATIC SHOWER OPTION 1

		Suggested Retail Price
Model	Description	Polished Chrome
WA720	Trim	364
I00598	Showerhead	599
1120/12	Shower Arm	70
B00188	Handshower	109
1650	Handshower Bar	331
1795	Outlet	226
16295	Hose	51
WA31L (x3)	Volume Controls (x3)	372
24960 (x2)	Body Sprays (x2)	438
Total Package List Price With Roughs		4,591
1005N	Rough	369
R1040R (x3)	Volume Control Rough (x3)	160

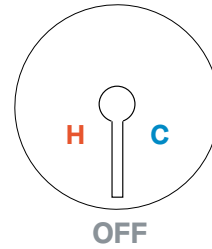
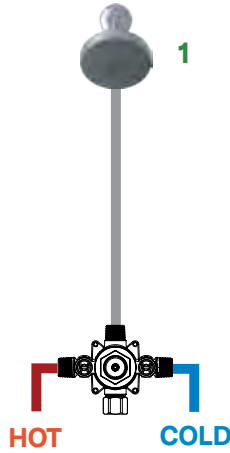
Note: Sample configuration priced in Polished Chrome. Other configurations and finishes available. Complete your Shower experience by including one of our decorative drain options.

ROUGH VALVE GUIDE

1/2" PRESSURE BALANCE - 1 FUNCTION

RCT-1

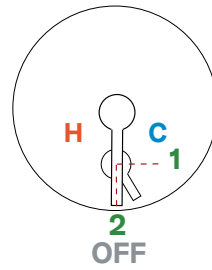
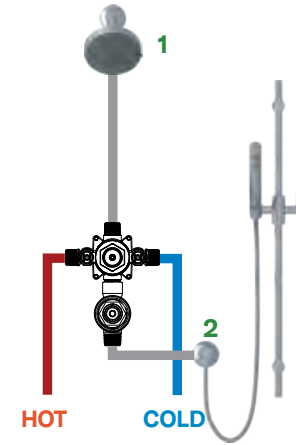
- 6 GPM
- Temperature control only
- Recommended inlet connection: 1/2" NPT
- Extension kit included with valve



1/2" PRESSURE BALANCE - 2 FUNCTIONS

RDD-2

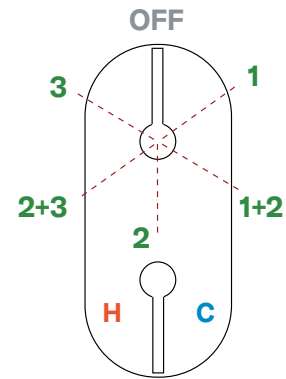
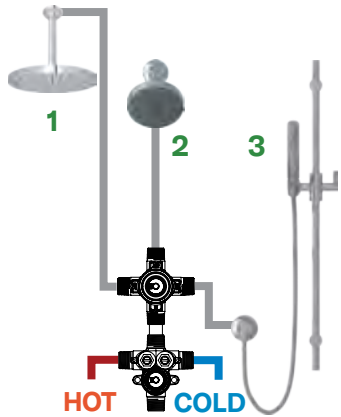
- 5.5 GPM
- Temperature control only
- Recommended inlet connection: 1/2" NPT
- Extension kit included with valve



1/2" THERMOSTATIC ROUGH VALVE - 5 FUNCTIONS

R1055BD

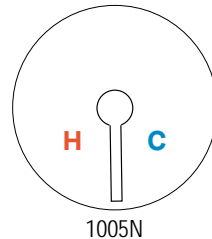
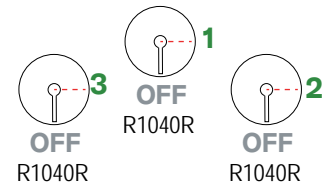
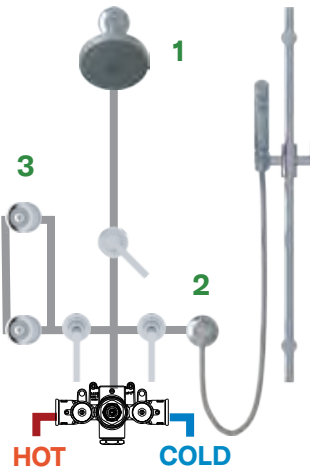
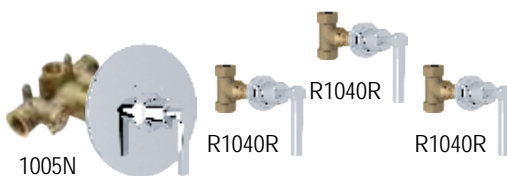
- 5 GPM
- Temperature control only
- Recommended inlet connection: 1/2" NPT
- Extension kit included with valve



3/4" THERMOSTATIC ROUGH VALVE - MULTI FUNCTIONS

1005N

- 12 GPM
- Temperature control only
- Recommended inlet connection: 3/4" NPT
- Extension kit included with valve
- Must add volume control R1040R

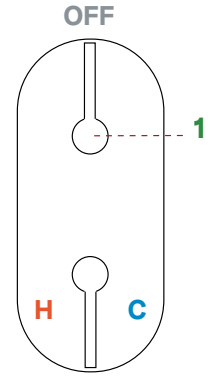
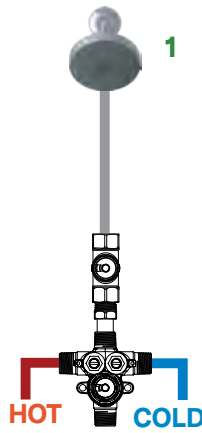


ROUGH VALVE GUIDE

1/2" THERMOSTATIC ROUGH VALVE - 1 FUNCTION

R1051BV **CAL Green Compliant**

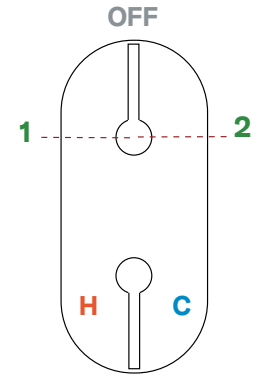
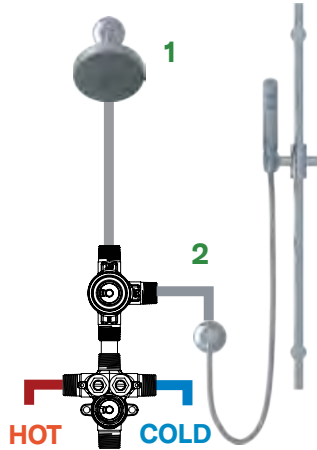
- 6.7 GPM
- Temperature control only
- Recommended inlet connection: 1/2" NPT
- Extension kit included with valve



1/2" THERMOSTATIC ROUGH VALVE - 2 FUNCTIONS

R1052BD **CAL Green Compliant**

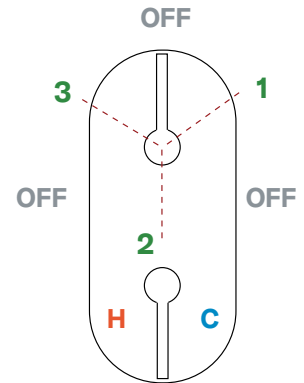
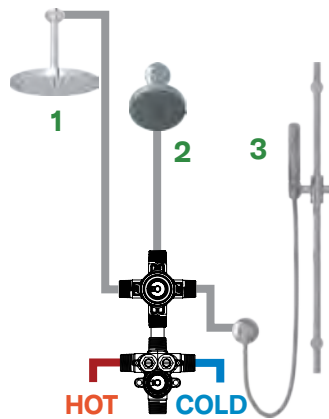
- 5.5 GPM
- Temperature control only
- Recommended inlet connection: 1/2" NPT
- Extension kit included with valve



1/2" THERMOSTATIC ROUGH VALVE - 3 FUNCTIONS

R1053BD **CAL Green Compliant**

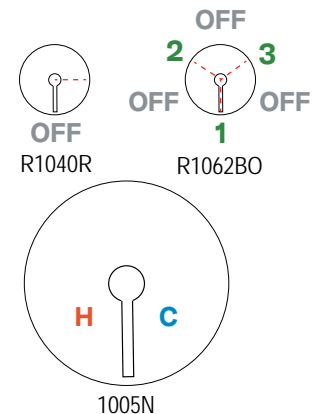
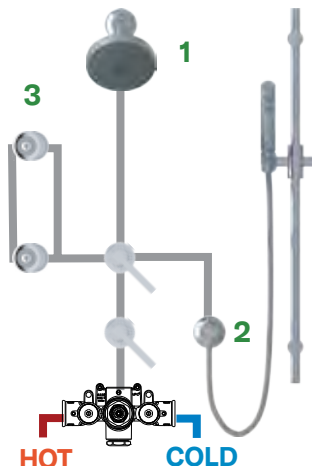
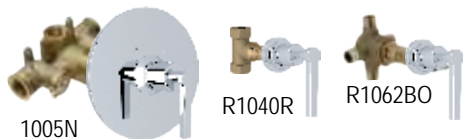
- 5 GPM
- Temperature control only
- Recommended inlet connection: 1/2" NPT
- Extension kit included with valve



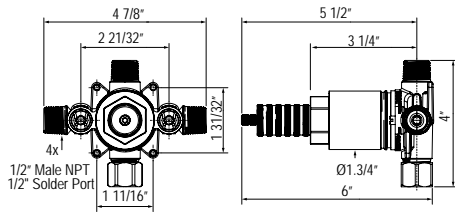
3/4" THERMOSTATIC ROUGH VALVE - 3 FUNCTIONS

1005N **CAL Green Compliant**

- 12 GPM
- Temperature control only
- Recommended inlet connection: 3/4" NPT
- Extension kit included with valve
- Must add volume control R1040R
- Must add diverter R1062BO



RCT-1 1/2" Universal Pressure Balance Without Diverter

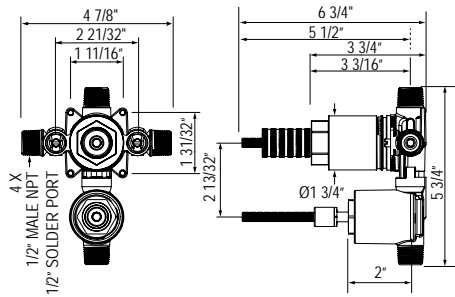

Suggested Retail Price

N/A

203

- Flow Rate:
 - Shower - 6 GPM at 60 PSI
- 2 5/8" extension kit: R3-056: \$73
- Temperature control only
- Recommended inlet connection: 1/2" NPT
- Must order trim to complete set

RDD-2 1/2" Universal Pressure Balance With Diverter

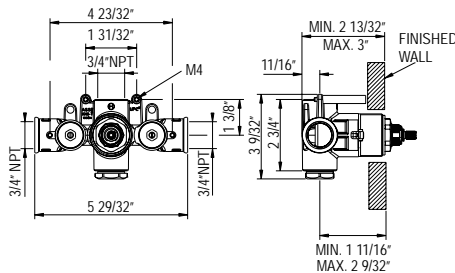

Suggested Retail Price

N/A

326

- Flow Rate:
 - Tub - 5.5 GPM at 60 PSI
 - Shower - 5.5 GPM at 60 PSI
- Temperature control only
- Recommended inlet connection: 1/2" NPT
- Must order trim to complete set

1005N 3/4" Thermostatic Rough Valve

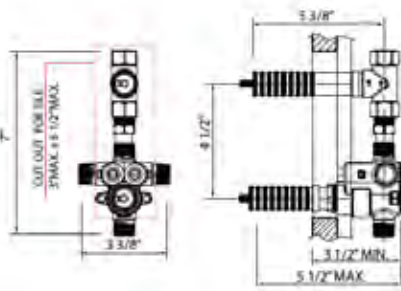

Suggested Retail Price

N/A

369

- Flow rate 12 GPM at 60 PSI
- Temperature control only
- Recommended inlet connection: 3/4" NPT
- Extension kit included with valve
- Must order trim to complete set
- Must add volume control R1040R: \$160

R1051BV Universal 1/2" Thermostatic Rough Valve With Integrated Volume Control

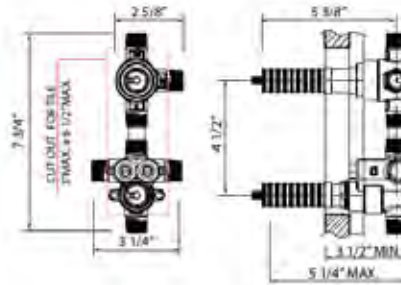

Suggested Retail Price

N/A

448

- Flow rate 6.7 GPM at 60 PSI
- Extension kit included, may be cut to length required
- Must order trim to complete
- CALGreen compliant.

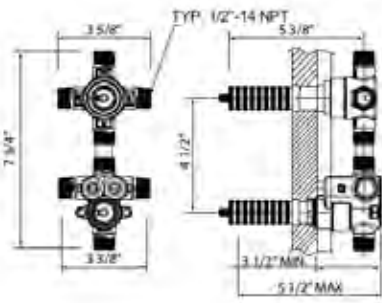
R1052BD Universal 1/2" Thermostatic Rough Valve With Integrated Two Outlet Dedicated Diverter


Suggested Retail Price

N/A

449

- CALGreen compliant.
- Flow rate 6.7 GPM at 60 PSI
- 5.5 GPM Top Diverter
- Shared function diverter cartridge available, order 11568
- Includes 1 cap for bottom outlet
- Must order trim to complete

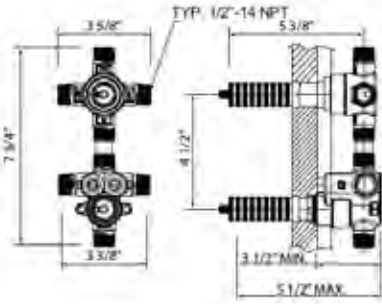


R1053BD Universal 1/2" Thermostatic Rough Valve With Integrated Three Outlet Dedicated Diverter



- CALGreen compliant.
- Flow rate 6.7 GPM at 60 PSI
- 5 GPM Top Diverter
- Shared function diverter cartridge available, order 11417
- Includes 2 caps: one for bottom outlet, one cap to make a 2-function diverter
- Must order trim to complete

Suggested Retail Price
N/A
524

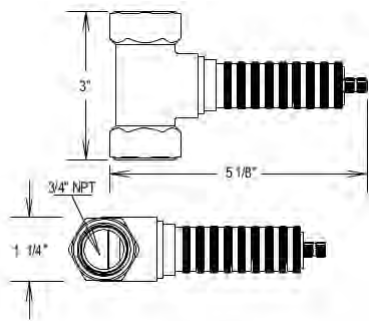


R1055BD Universal 1/2" Shared Three Outlet Thermostatic Shower With Diverter



- California Non-Compliant
- Up to two shared functions may be actuated at once
- Flow rate 5 GPM at 60 PSI
- 5 GPM Top Diverter
- Includes 2 caps: one for bottom outlet, one cap to make a 2-function diverter
- Must order trim to complete

Suggested Retail Price
N/A
524

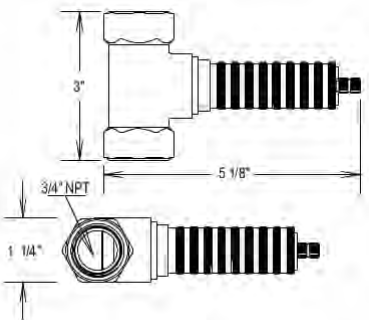


R1040R Universal 3/4" Counterclockwise Volume Control Rough Valve



- Includes 2 5/8" extension kit. Extension may be cut to length required.
- Must order trim to complete
- 12-14 GPM

Suggested Retail Price
N/A
160

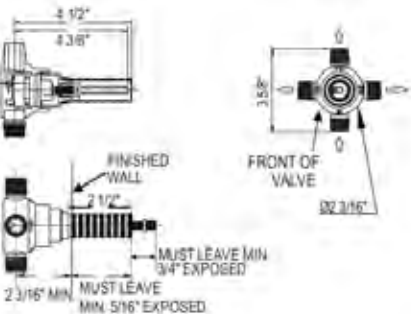


R1041R Universal 3/4" Clockwise Volume Control Rough Valve



- Includes 2 5/8" extension kit. Extension may be cut to length required.
- Must order trim to complete
- 12-14 GPM

Suggested Retail Price
N/A
160



R1062BO Universal 4-Port, 3-Way Dedicated Diverter Rough Valve



- Must use with volume control(s) or pressure balance systems
- CALGreen compliant
- 5 GPM
- Includes 2 5/8" extension kit.
- Includes 1 cap to make a 2-function diverter
- Must order trim to complete set

Suggested Retail Price
N/A
319

NOTES

SAN GIOVANNI	
SORIANO	
VERONA	
VIAGGIO	
VINCENT	
WAVE	
ROUGH	
SHOWER	
CARE & MAINTENANCE	
TERMS	

SHOWER

The House of Rohl® brands bring the spa experience home with an exclusive and complete shower offering. Showerheads that deliver a decadent deluge. Handshowers and body sprays immerse the body in soothing rejuvenation. We offer a variety of grab bars for the bathroom and shower which meet all ADA standards for accessible design. Customers can select designs to achieve the aesthetics and performance they desire — from ornate English character to sleek modern lines, and everything in between. Shower selections with style and quality that define authentic luxury and accessories that add a finishing touch to any décor.



SAN GIOVANNI

SORIANO

VERONA

VIAGGIO

VINCENT

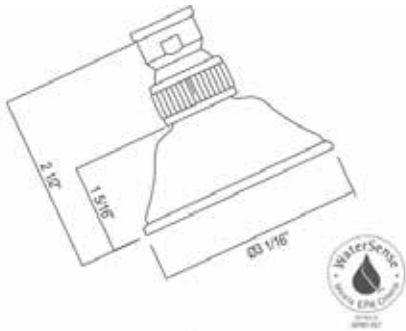
WAVE

ROUGHS

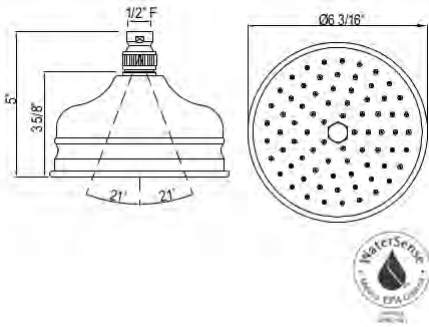
SHOWER

CARE & MAINTENANCE

TERMS

**C5056.1E 3" Perletto Anti-Calcium Rain Showerhead****Suggested Retail Price**

APC	PN	STN	IB	EB	MB	TCB
113	113	144	144	399	144	144

**1027/8 6" Bordano Rain Anti-Calcium Rain Showerhead****Suggested Retail Price**

APC	PN	STN	IB	TCB	ULB
401	401	479	493	479	479



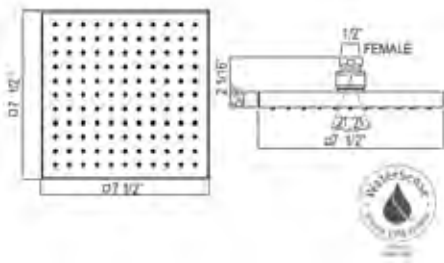
- Flow rate 1.8 GPM
- Swivel ball replacement part #: 1590/8

**BI00701 6" Retro Jet Single-Function Rain Showerhead****Suggested Retail Price**

APC	PN	STN	MB	SG	TCB	ULB
491	719	889	898	944	944	963



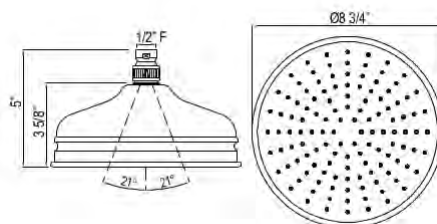
- Flow rate 1.8 GPM

**1070/8 7 1/2" Scossa Square Rain Showerhead****Suggested Retail Price**

APC	PN	STN	IB	TCB
831	831	1,076	1,026	1,076



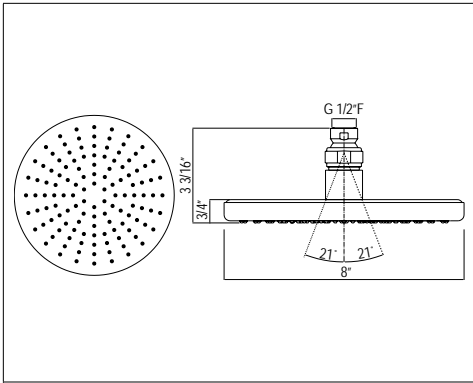
- Flow rate 1.8 GPM

**1037/8 8" Bordano Rain Anti-Calcium Showerhead****Suggested Retail Price**

APC	PN	STN	IB	MB	SUB	TCB	ULB
501	501	620	639	639	620	620	620



- Flow rate 1.8 GPM
- Swivel ball replacement part #: 1590/8

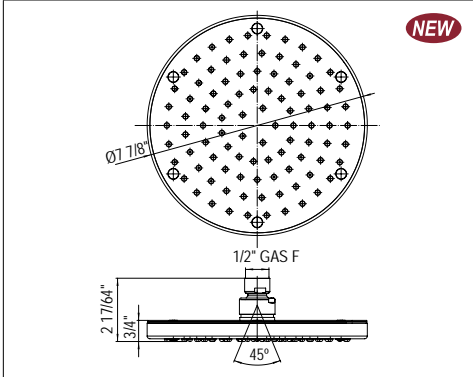


1075/8 8" Rodello Circular Rain Showerhead

Suggested Retail Price

APC	PN	STN	IB	SUB	TCB	ULB
555	555	723	752	723	723	723

- Flow rate 1.8 GPM



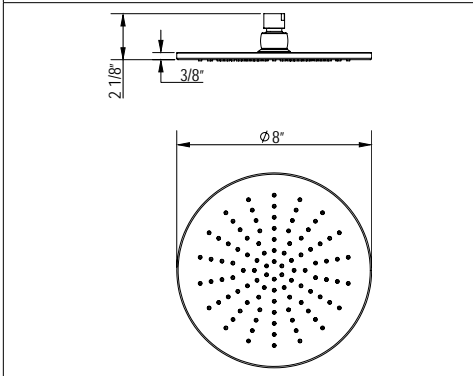
NEW

100405 8" OKI Round Rain Showerhead

Suggested Retail Price

APC	PN	STN	IB	MB	SG	TCB
419	509	534	1,083	564	659	659

- Flow rate 1.8 GPM

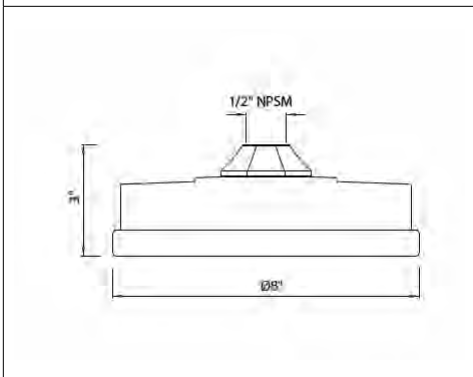


MB3334 8" Graceline® Circular Rain Showerhead

Suggested Retail Price

MB	FB	GM	SG	STB
864	864	934	1,643	934

- Flow rate 1.8 GPM

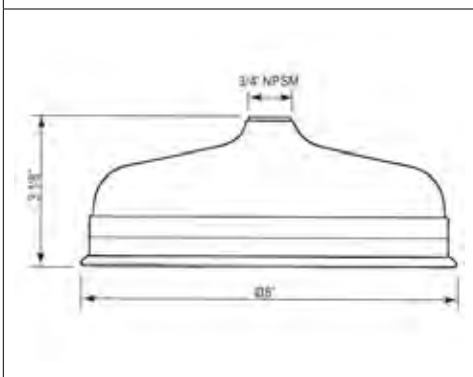


U.5135 8" Perrin & Rowe® Deco™ Rain Showerhead

Suggested Retail Price

APC	PN	STN	EG	SEG	ULB
641	705	801	864	1,153	910

- Flow rate 1.8 GPM



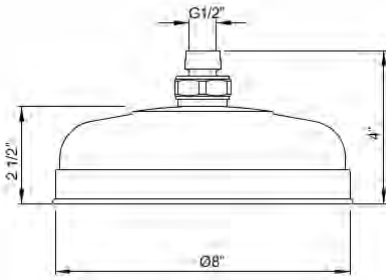
U.5205 8" Perrin & Rowe® Rain Showerhead

Suggested Retail Price

APC	PN	STN	EB	EG	TCB	ULB
528	582	660	750	750	565	750

- Flow rate 1.8 GPM
- 3/4" NPSM connection





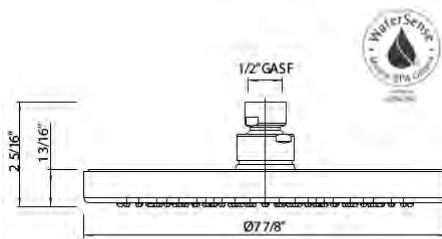
U.5260 8" Perrin & Rowe® Transitional Rain Showerhead



- Flow rate 1.8 GPM

Suggested Retail Price

APC	PN	STN	EG
692	761	865	983



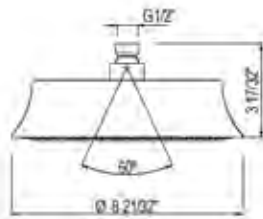
WI0196 8" Elios Rain Showerhead



- Flow rate 1.8 GPM

Suggested Retail Price

APC	PN	STN	MB	TCB
235	314	329	349	419



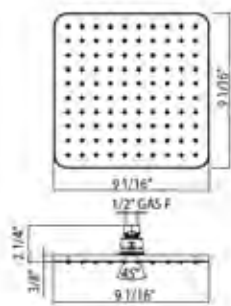
DSA16200 9" Bellia™ Rain Showerhead



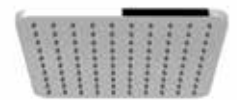
- Flow rate 1.8 GPM

Suggested Retail Price

APC	PN	STN	RG
503	558	644	780



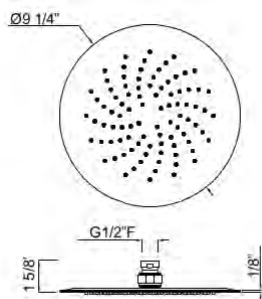
I00597 9" Meda™ Square Rain Showerhead



- Flow rate 1.8 GPM
- For installation on ceiling or on exposed shower arm

Suggested Retail Price

APC	PN	STN
459	559	710



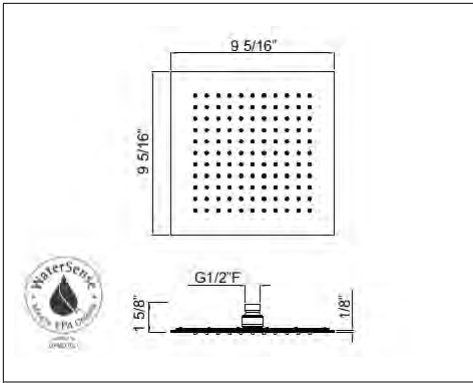
SLM02 9 1/2" Slim Ultra Thin Round Rain Showerhead



- Flow rate 1.8 GPM
- Optional false ceiling installation kit available, order KIT00006NPT: \$160

Suggested Retail Price

APC	PN	STN	MB
622	998	770	915



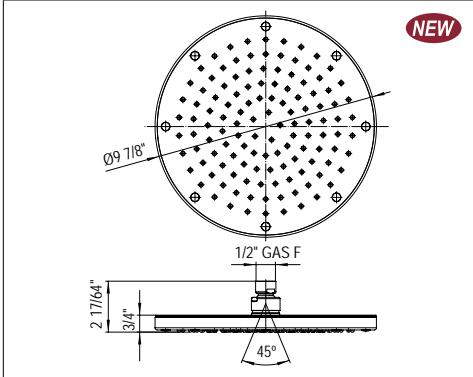
SLM05 9 1/2" Slim Ultra Thin Square Rain Showerhead

Suggested Retail Price

APC	PN	STN	IB	MB
658	990	857	1,349	949



- Flow rate 1.8 GPM
- Optional false ceiling installation kit available, order KIT00006NPT: \$160



NEW

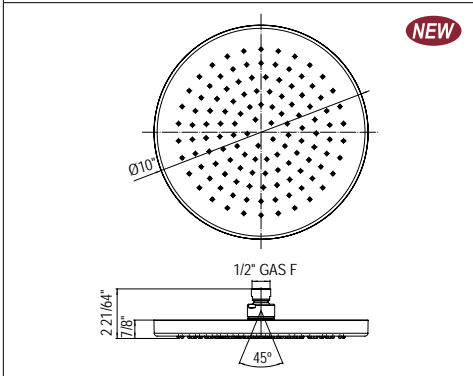
I00410 10" OKI Round Rain Showerhead

Suggested Retail Price

APC	PN	STN	IB	MB	SG	TCB
559	634	794	1,362	724	864	864



- Flow rate 1.8 GPM



NEW

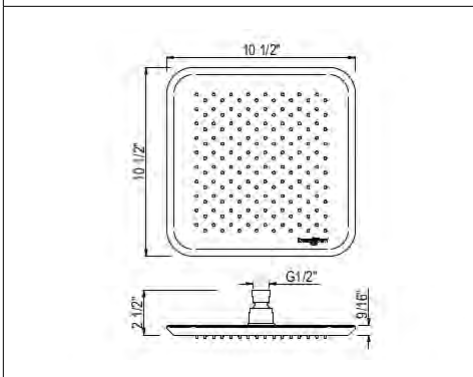
I00412 10" Elios Round Rain Showerhead

Suggested Retail Price

APC	PN	STN	MB	TCB
278	329	369	384	464



- Flow rate 1.8 GPM



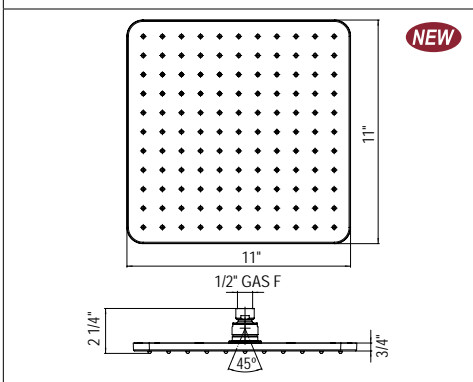
U.5408 10 1/2" Perrin & Rowe® Hoxton™ Square Rain Showerhead

Suggested Retail Price

APC	PN	STN	EG
593	624	712	801



- Flow rate 1.8 GPM



NEW

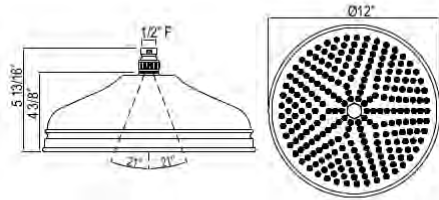
I00598 11" Meda™ Square Rain Showerhead

Suggested Retail Price

APC	PN	STN	SG	TCB
599	719	929	929	1,037



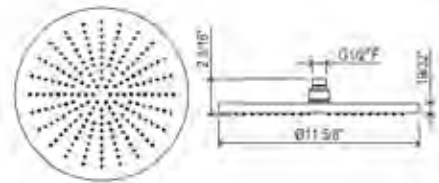
- Flow rate 1.8 GPM

1047/8 12" Bordano Rain Anti-Calcium Rain Showerhead

- Flow rate 1.8 GPM
- Swivel ball replacement part #: 1590/8

Suggested Retail Price

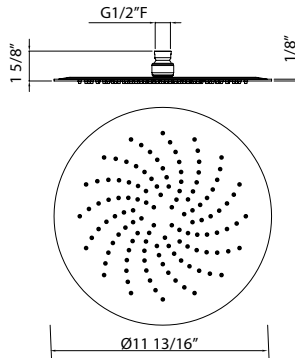
APC	PN	STN	IB	SUB	TCB	ULB
1,163	1,163	1,323	1,337	1,323	1,323	1,323

1079/8 12" Rodello Circular Rain Showerhead

- Flow rate 1.8 GPM

Suggested Retail Price

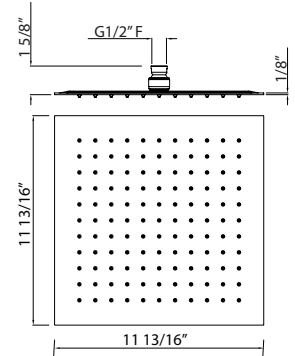
APC	PN	STN	IB	TCB	ULB
1,101	1,101	1,671	1,751	1,671	1,671

SLM03 12" Slim Ultra Thin Round Rain Showerhead

- Flow rate 1.8 GPM
- Optional false ceiling installation kit available, order KIT00006NPT: \$160

Suggested Retail Price

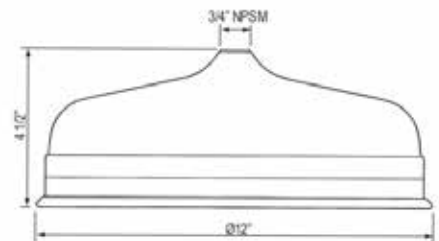
APC	PN	STN	MB
704	925	809	1,140

SLM06 12" Slim Ultra Thin Square Rain Showerhead

- Flow rate 1.8 GPM
- Optional false ceiling installation kit available, order KIT00006NPT: \$160

Suggested Retail Price

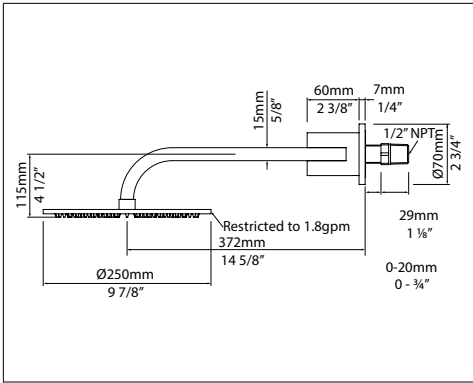
APC	PN	STN	MB
723	1,061	833	1,251

U.5204 12" Perrin & Rowe® Rain Showerhead

- Flow rate 1.8 GPM
- 3/4" NPSM connection

Suggested Retail Price

APC	PN	STN	EB	EG	TCB	ULB
1,010	1,111	1,263	1,435	1,435	1,071	1,435



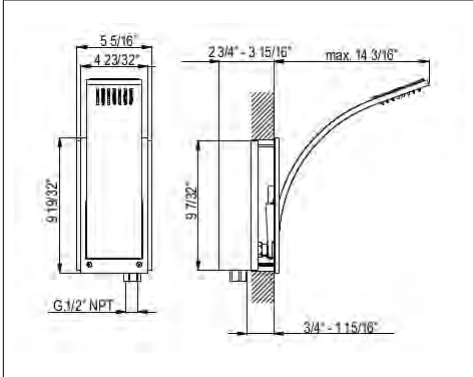
SOR-41 10" Soriano™ Rain Showerhead And 14 5/8" Arm



- Flow rate 1.8 GPM
- Stainless Steel construction

Suggested Retail Price

SB
1,120



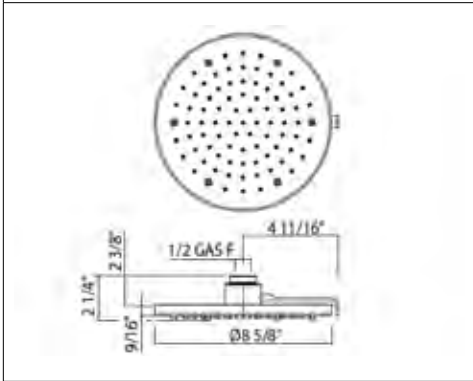
WA1319 Wave™ Integrated Shower Arm And Rain Showerhead



- Flow rate 1.8 GPM
- Must be installed at framing stage

Suggested Retail Price

APC	STN
3,745	4,064



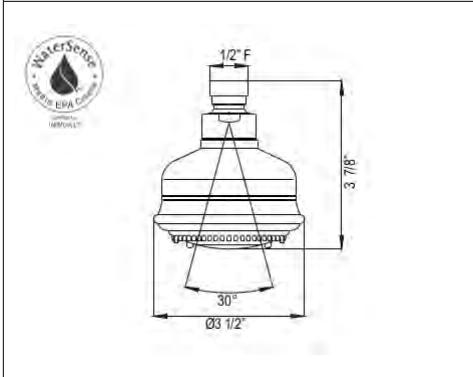
I00625 8 1/2" Nebulosa Multifunction Circular Nebulizer Showerhead



- Flow rate 1.75 GPM: LEED compliant/CALGreen/WaterSense

Suggested Retail Price

APC	PN	STN
839	1,116	1,312



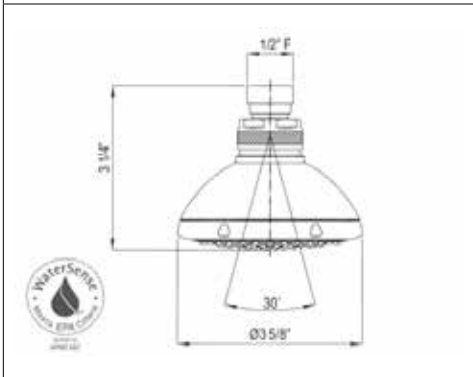
B240NSH 3 1/2" Master-Flow 3-Function Showerhead



- Flow rate 1.8 GPM

Suggested Retail Price

APC	PN	STN	TCB
189	237	264	264



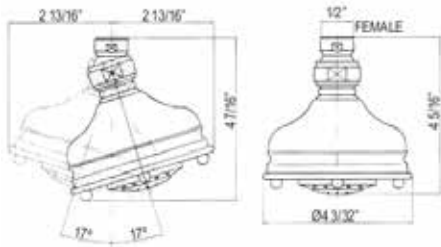
I00131 3 1/2" Sondria 3-Function Showerhead



- Flow rate 1.8 GPM

Suggested Retail Price

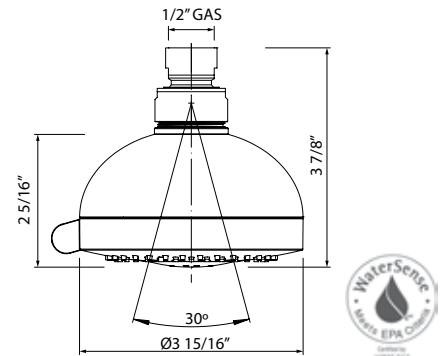
APC	PN	STN	IB	TCB
181	249	349	418	349

**1085/8 4" Santena 3-Function Showerhead****Suggested Retail Price**

APC	PN	STN	IB	SUB	TCB	ULB
389	389	501	527	501	501	501



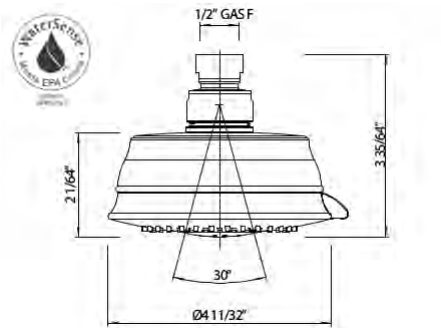
- Flow rate 1.8 GPM

**100218 4" Rovato 3-Function Showerhead****Suggested Retail Price**

APC	PN	STN
165	213	287



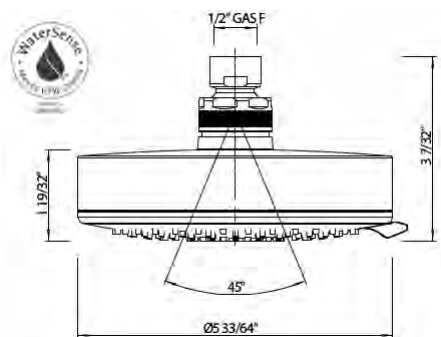
- Flow rate 1.8 GPM

**W10197 4 1/2" Baltera 3-Function Showerhead****Suggested Retail Price**

APC	PN	STN	TCB
172	224	298	343



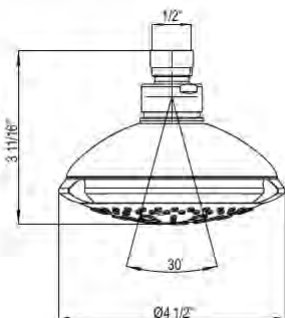
- Flow rate 1.8 GPM

**W10195 5 1/2" Dinamic 3-Function Showerhead****Suggested Retail Price**

APC	PN	STN
152	197	257



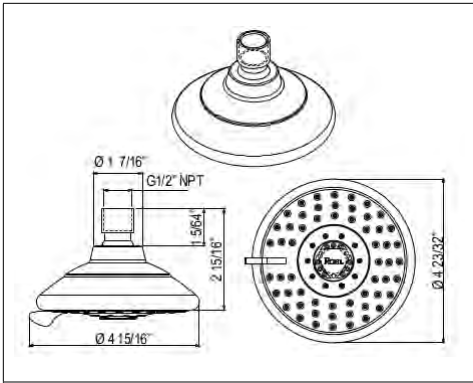
- Flow rate 1.8 GPM

**100180 4 1/2" Ocean4 4-Function Showerhead****Suggested Retail Price**

APC	PN	STN	IB	TCB
288	418	499	578	499



- Flow rate 1.8 GPM



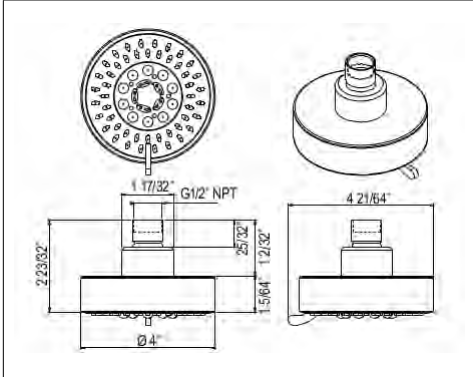
SOF135 5" Ecoclassic 4-Function Showerhead



Suggested Retail Price

APC	PN	STN	IB
98	125	125	125

- Eco and environmentally friendly, restricted to 1.75 GPM flow rate



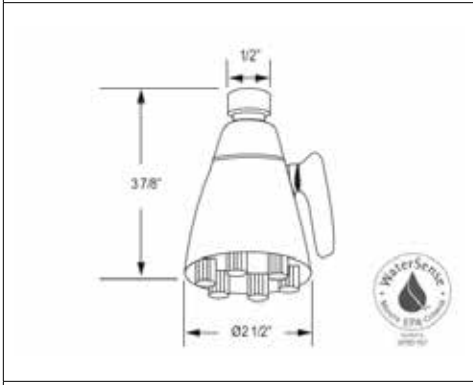
SOF134 4" Ecomodern 5-Function Showerhead



Suggested Retail Price

APC	PN	STN	IB
98	125	125	125

- Eco and environmentally friendly, restricted to 1.75 GPM flow rate



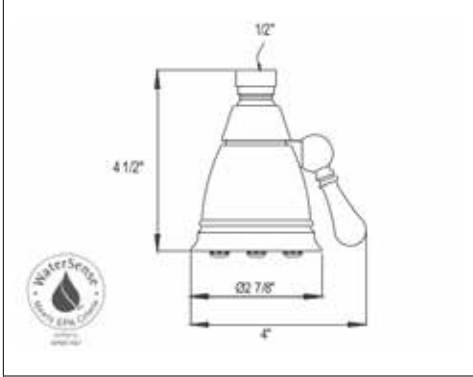
BI00042 2 1/2" Calliano Adjustable 6 Jet Showerhead



Suggested Retail Price

APC	PN	STN	MB	TCB	ULB
180	237	331	331	331	331

- Flow rate 1.8 GPM



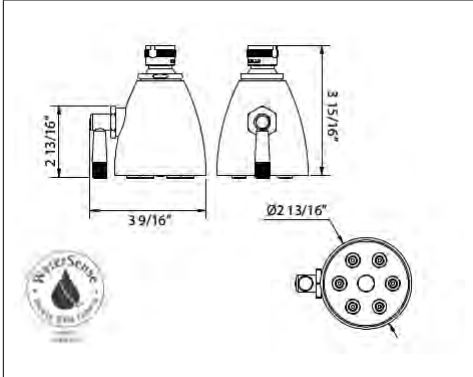
WI0122 3" Mantova Adjustable Showerhead



Suggested Retail Price

APC	PN	STN	EB	TCB	ULB
239	324	438	736	438	438

- 6 adjustable anti-calcium spray nozzle jets
- Flow rate 1.8 GPM
- 3/4"F to 1/2"M adaptor available see part # U.5399



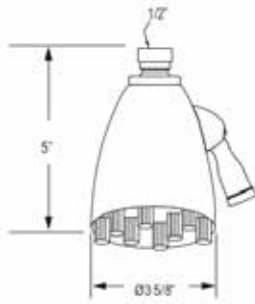
MB0190 3" Graceline® 6-Jet Adjustable Showerhead



Suggested Retail Price

APC	PN	STN	GM	STB	ULB
319	351	398	393	453	453

- Flow rate 1.8 GPM

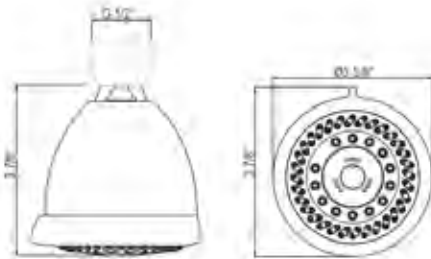
**BI00059** 3 1/2" 8-Jet Calliano Adjustable Showerhead

Suggested Retail Price

APC	PN	STN	IB	EB	MB	TCB	ULB
305	413	520	590	819	520	520	520



- 8 adjustable anti-calcium spray nozzles
- Flow rate 1.8 GPM
- 3/4"F to 1/2"M adaptor available see part # U.5399

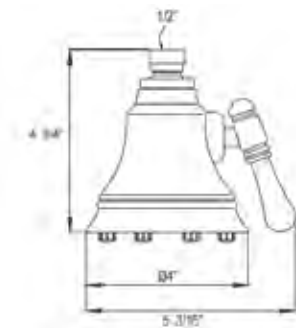
**U.5800** 3 1/2" Perrin & Rowe® Six-Function Showerhead

Suggested Retail Price

APC	PN	STN	EB	EG	SEG	ULB
461	507	576	654	654	654	619



- 6-function spray patterns
- Flow rate 1.75 GPM

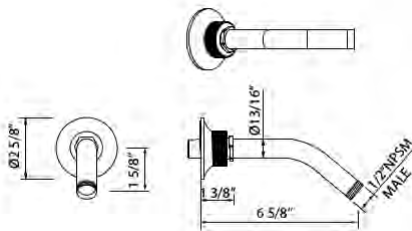
**WI0123** 4" Mantova Adjustable Showerhead

Suggested Retail Price

APC	PN	STN	EB	SG	TCB	ULB
376	501	690	1,141	690	690	690

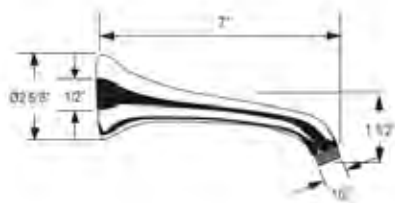


- 8 adjustable anti-calcium spray nozzle jets
- Flow rate 1.8 GPM
- 3/4"F to 1/2"M adaptor available see part #U.5399

**MB2010** Graceline® 6 5/8" Wall Mount Shower Arm

Suggested Retail Price

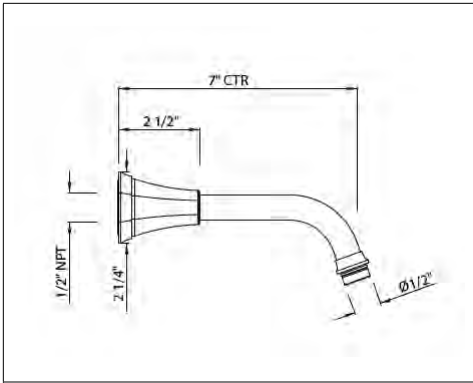
APC	PN	STN	GM	STB	ULB
139	153	174	173	198	198

**H08000** 7" Decorative Brass Wall Mount Shower Arm

Suggested Retail Price

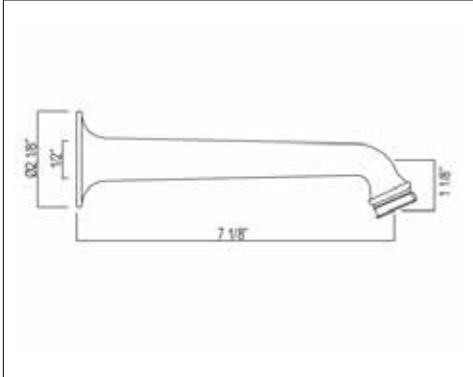
APC	PN	STN	IB	EB	SG	TCB
125	164	199	221	313	199	199





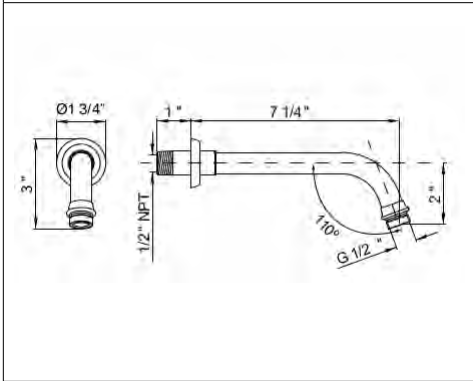
U.5182 Perrin & Rowe® Deco™ 7" Wall Mount Shower Arm

Suggested Retail Price			
APC	PN	STN	EG
338	373	423	481



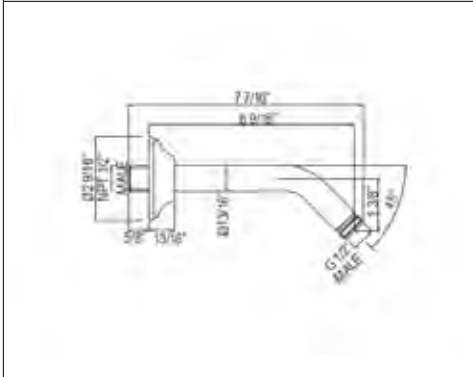
C5056.2 7 1/8" Wall Mount Shower Arm

Suggested Retail Price							
APC	PN	STN	IB	EB	EG	MB	TCB
68	68	86	90	249	330	89	86



U.5882 Perrin & Rowe® Holborn™ 7 1/4" Angled Wall Mount Shower Arm

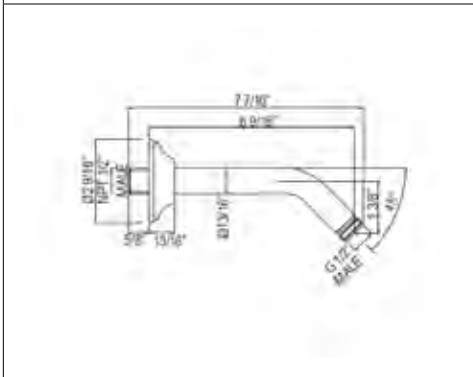
Suggested Retail Price					
APC	PN	STN	EG	SEG	ULB
354	390	443	503	503	503



1440/6 7 7/16" Wall Mount Shower Arm

Suggested Retail Price							
APC	PN	STN	IB	MB	SUB	TCB	ULB
77	77	149	160	160	149	149	149

• Modern style round escutcheon available, order ROS006

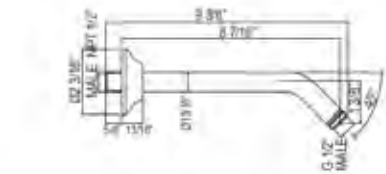


1442/6 7 7/16" Wall Mount Shower Arm

Suggested Retail Price				
APC	PN	STN	MB	TCB
77	85	149	149	149



1440/8 9 3/8" Wall Mount Shower Arm

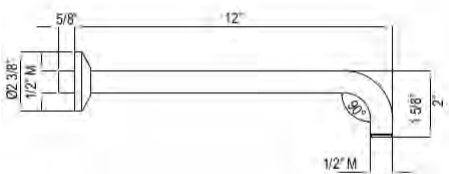


- Modern style round escutcheon available, order ROS0006

Suggested Retail Price

APC	PN	STN	IB	MB	TCB	ULB
85	85	160	168	168	160	160

1120/12 12" Wall Mount Shower Arm

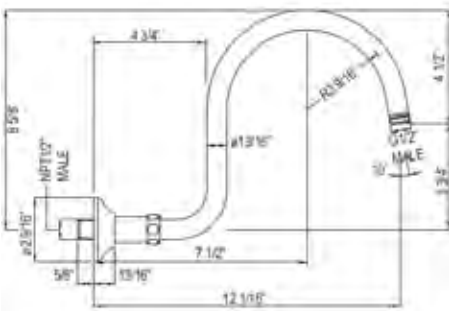


- Escutcheon replacement part #: 1120E

Suggested Retail Price

APC	PN	STN	SG	TCB	ULB
70	193	237	237	237	237

1475/12 Wall Mount Hook Shower Arm

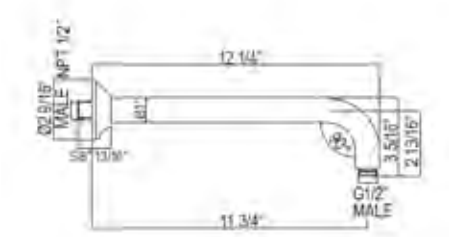


- Modern style round escutcheon available, order ROGSC014

Suggested Retail Price

APC	PN	STN	IB	TCB	ULB
264	264	373	437	373	373

1455/12 12 1/4" Wall Mount Shower Arm

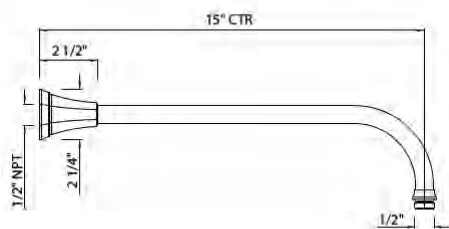


- Modern style round escutcheon available, order ROGSC014

Suggested Retail Price

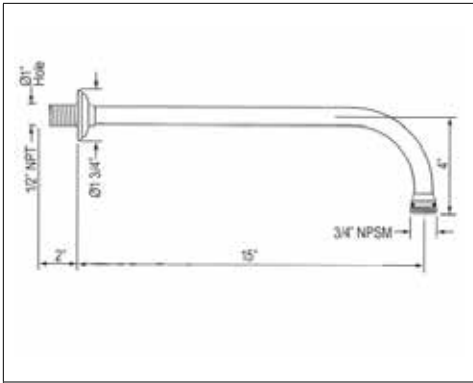
APC	PN	STN	IB	TCB	ULB
160	160	213	249	213	213

U.5184 Perrin & Rowe® Deco™ 15" Overhead Wall Mount Shower Arm



Suggested Retail Price

APC	PN	STN	EG	SEG	ULB
390	430	488	526	607	554

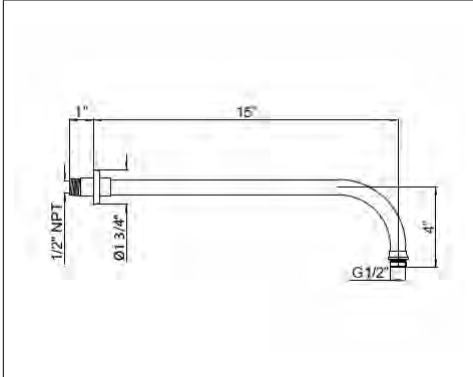


U.5384 Perrin & Rowe® 15" Reach Wall Mount Shower Arm

Suggested Retail Price

APC	PN	STN	EB	EG	TCB	ULB
361	398	451	513	513	378	513

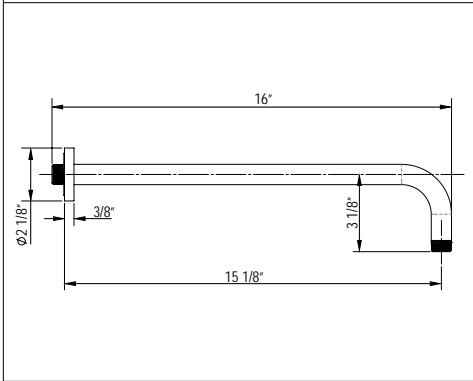
• To install 1/2" inlet showerheads, use adaptor U.5399



U.5884 Perrin & Rowe® Holborn™ 15" Wall Mount Shower Arm

Suggested Retail Price

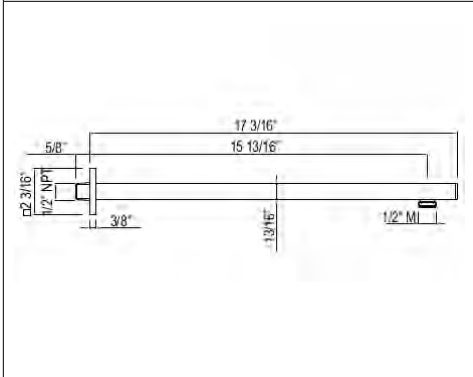
APC	PN	STN	EG
354	390	443	503



MB3549 Graceline® 16" Wall Mount Shower Arm

Suggested Retail Price

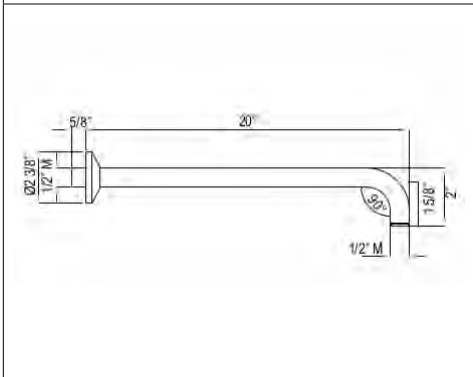
MB	FB	GM	SG	STB
481	347	640	668	640



1410/16 17 3/16" Modern Square Wall Mount Shower Arm

Suggested Retail Price

APC	PN	STN	TCB
464	464	601	601

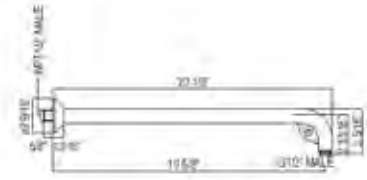


1120 20" Wall Mount Shower Arm

Suggested Retail Price

APC	PN	STN	IB	SG	TCB	ULB
98	198	263	281	263	263	263

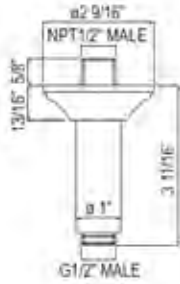


**1455/20 20 1/8" Wall Mount Shower Arm****Suggested Retail Price**

APC	PN	STN	IB	MB	SUB	TCB	ULB
197	197	271	311	311	271	271	271



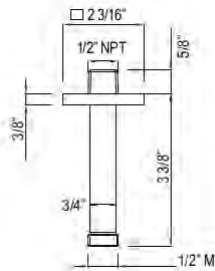
- Modern style round escutcheon available, order ROGSCO14

**1505/3 3" Traditional Ceiling Mount Shower Arm****Suggested Retail Price**

APC	PN	STN	IB	MB	TCB	ULB
107	107	141	148	148	141	141



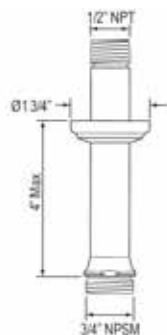
- Length cannot be cut down
- Modern style round escutcheon available, order ROGSCO14

**1510/3 3" Modern Square Ceiling Mount Shower Arm****Suggested Retail Price**

APC	PN	STN	MB
284	284	370	420



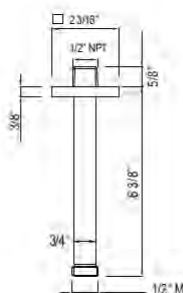
- Length cannot be cut down

**U.5388 Perrin & Rowe® 4" Ceiling Mount Shower Arm****Suggested Retail Price**

APC	PN	STN	EB	EG	TCB	ULB
165	182	207	234	234	171	219



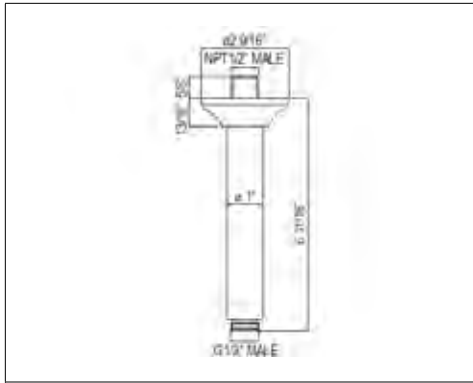
- Length cannot be cut down
- To install 1/2" inlet showerheads, use adaptor U.5399

**1510/6 6 3/8" Modern Square Ceiling Mount Shower Arm****Suggested Retail Price**

APC	PN	STN
373	373	485



- Length cannot be cut down

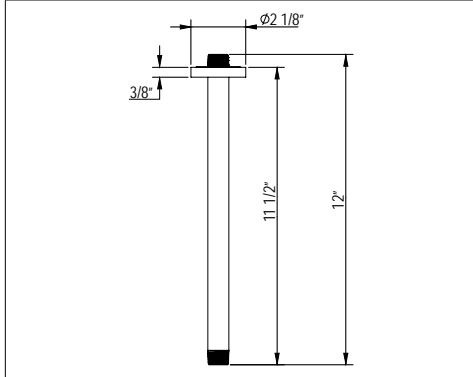


1505/6 6 11/16" Traditional Ceiling Mount Shower Arm



Suggested Retail Price							
APC	PN	STN	IB	MB	SUB	TCB	ULB
127	127	176	200	176	176	176	176

- Length cannot be cut down
- Modern style round escutcheon available, order ROGSCO14

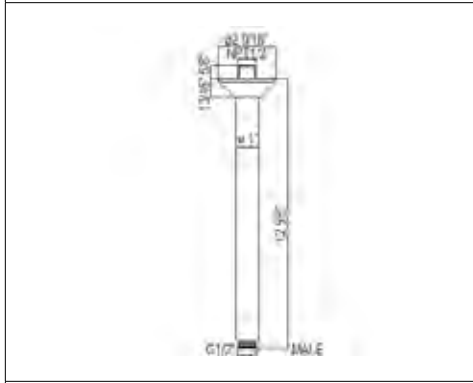


MB3551 Graceline® 12" Ceiling Mount Shower Arm



Suggested Retail Price				
MB	FB	GM	SG	STB
470	225	640	443	640

- Length cannot be cut down

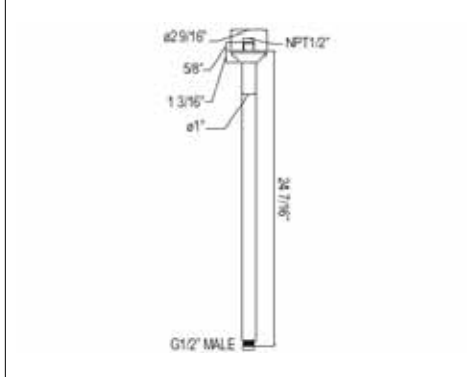


1505/12 12 5/8" Traditional Ceiling Mount Shower Arm



Suggested Retail Price							
APC	PN	STN	IB	MB	RG	TCB	ULB
158	158	210	247	210	315	210	210

- Length cannot be cut down
- Modern style round escutcheon available, order ROGSCO14

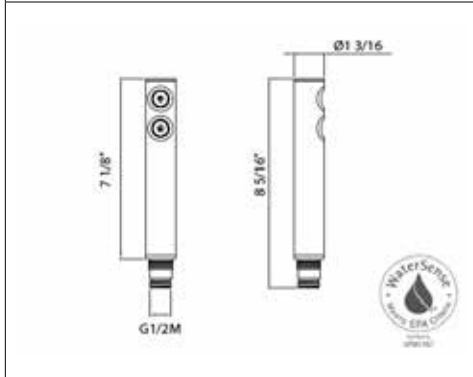


1505/24 24 7/16" Traditional Ceiling Mount Shower Arm



Suggested Retail Price					
APC	PN	STN	IB	TCB	ULB
210	210	284	320	284	284

- Length cannot be cut down
- Modern style round escutcheon available, order ROGSCO14



1670/8 Single-Function Modern Handshower



Suggested Retail Price		
APC	PN	STN
77	77	100

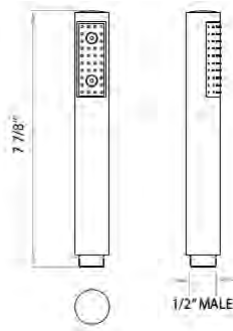
- Flow rate 1.8 GPM

**B0310** Single-Function Soriso Handshower

- Flow rate 1.8 GPM

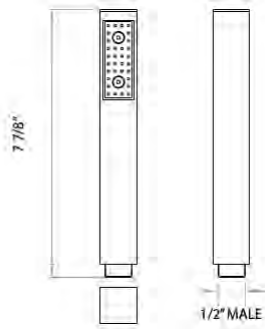
Suggested Retail Price

APC	PN	STN
56	73	92

**C7135** Single-Function Lombardia® Handshower

Suggested Retail Price

APC	PN	STN	IB	MB	TCB	ULB
179	179	237	237	237	237	237

**C7139** Single-Function Vincent™ Handshower

Suggested Retail Price

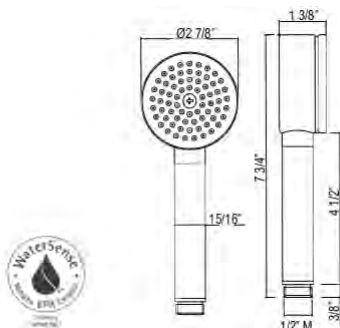
APC	PN	STN	IB	TCB
257	257	343	341	341

**B204** Single-Function Handshower

- Flow rate 1.8 GPM

Suggested Retail Price

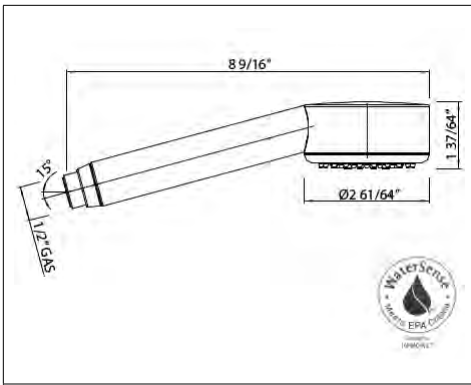
APC	PN	STN	IB	TCB
157	218	310	330	310

**1130E** Single-Function Anti-Calcium Handshower

- Flow rate 1.8 GPM

Suggested Retail Price

APC	PN	STN	IB	SUB	TCB
235	235	299	314	299	299



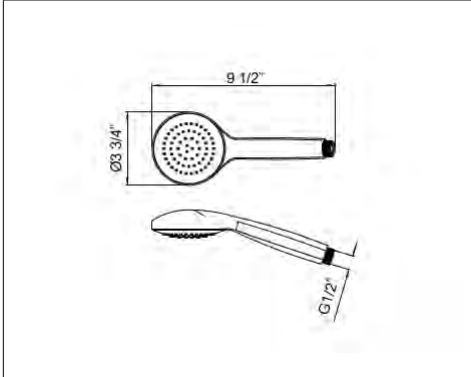
B0311 Single-Function Cylindrica Handshower



- Flow rate 1.8 GPM

Suggested Retail Price

APC	PN	STN
56	73	92



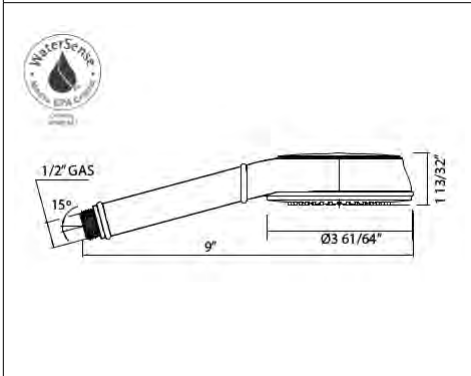
U.5815 Perrin & Rowe® Easy Clean Single-Function Handshower



- Flow rate 1.8 GPM

Suggested Retail Price

APC	PN	STN	EG
255	281	325	363



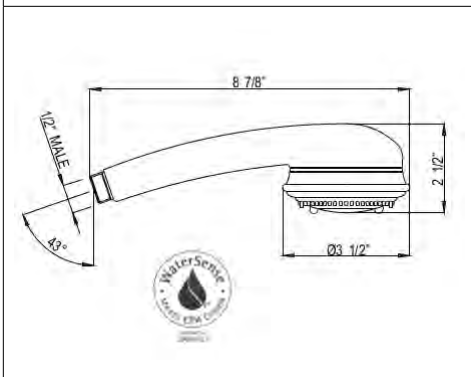
B0315 Single-Function Baltera Handshower



- Flow rate 1.8 GPM

Suggested Retail Price

APC	PN	STN	MB	SG	TCB
123	158	214	243	243	243



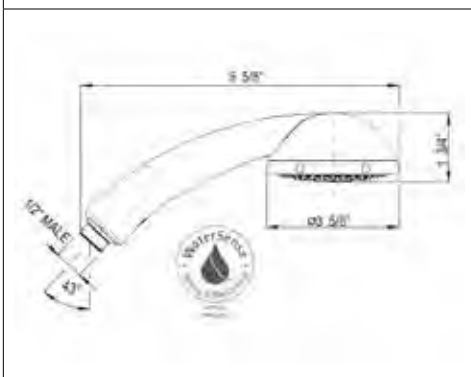
B240NHSO Master-Flow 3-Function Handshower



- Flow rate 1.8 GPM

Suggested Retail Price

APC	PN	STN	TCB
178	230	318	318



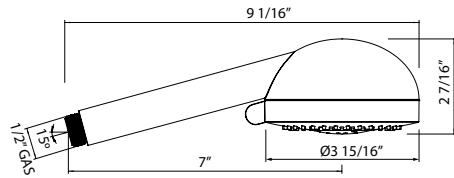
B00151 Rain-Flow 3-Function Handshower



- Flow rate 1.8 GPM

Suggested Retail Price

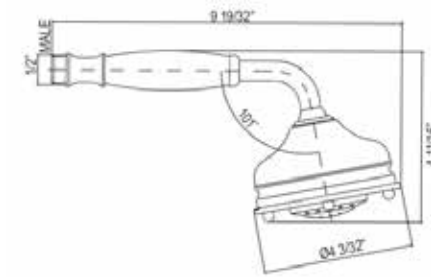
APC	PN	STN	IB	SG	TCB
109	139	179	275	209	209

**B00188** Rovato 3-Function Handshower

- Flow rate 1.8 GPM

Suggested Retail Price

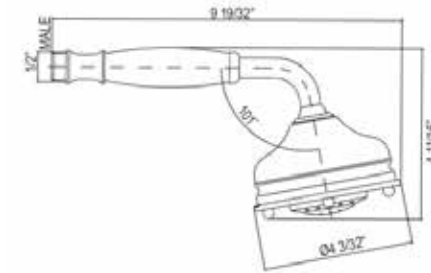
APC	PN	STN	SG
109	149	189	189

**1150/8** Three-Function Classic Handshower

- Flow rate 1.8 GPM
- White resin handshower handle

Suggested Retail Price

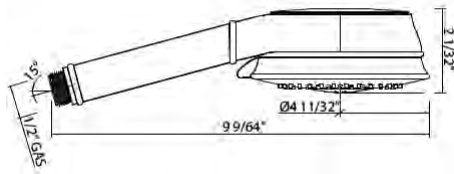
APC	PN	STN	IB	TCB
392	392	526	544	526

**1151/8** Three-Function Classic Handshower

- Flow rate 1.8 GPM
- Metal handshower handle

Suggested Retail Price

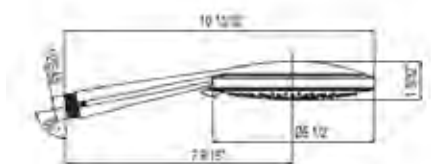
APC	PN	STN	IB	TCB	ULB
392	392	526	544	526	526

**B0314** Baltera 3-Function Handshower

- Flow rate 1.8 GPM

Suggested Retail Price

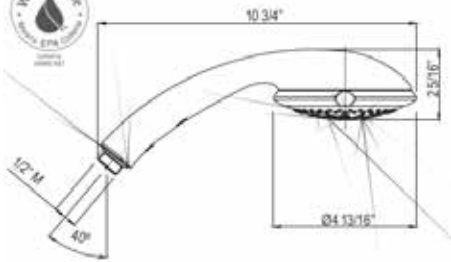
APC	PN	STN	MB	SG	TCB
119	189	269	189	319	319

**B01168** 5 1/2" Dinamic 3-Function Handshower

- Flow rate 1.8 GPM

Suggested Retail Price

APC	PN	STN	TCB
169	169	294	294



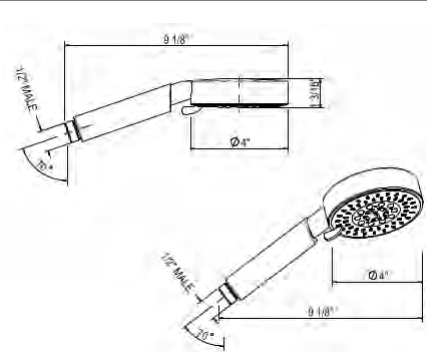
B00102 Multi-Function Ocean4 4-Function Handshower

Suggested Retail Price

APC	PN	STN	IB	MB	SG	TCB
149	189	351	531	249	419	419



- Flow rate 1.8 GPM



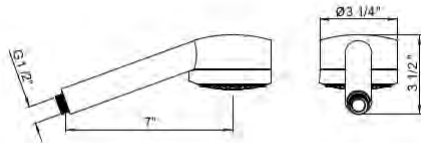
SOF136 5-Function Ecomodern Handshower

Suggested Retail Price

APC	PN	STN
114	138	138



- Eco and environmentally friendly, restricted to 1.75 GPM flow rate



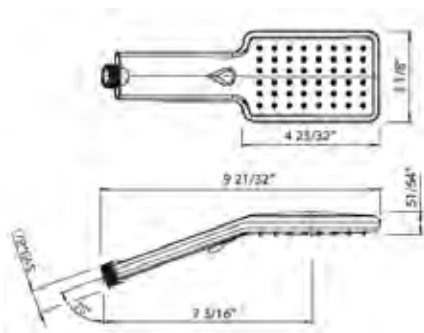
U.5810 Perrin & Rowe® Holborn™ 6-Function Handshower

Suggested Retail Price

APC	PN	STN	EG
450	496	564	640



- Flow rate 1.75 GPM



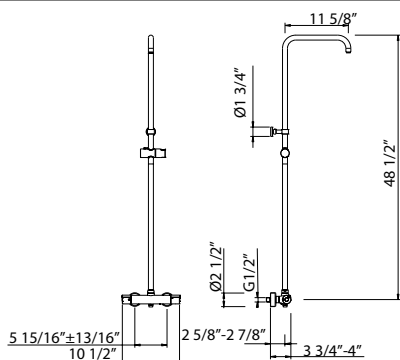
B00177 Meda™ Adjustable Flow Handshower

Suggested Retail Price

APC	PN	STN
138	138	240



- Flow rate 1.8 GPM

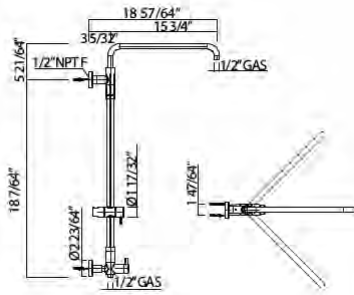


C72 Mod-Fino Exposed Wall Mount Thermostatic Shower With Diverter, Riser And Sliding Handshower Parking Bracket

Suggested Retail Price

APC	PN	STN
616	704	874



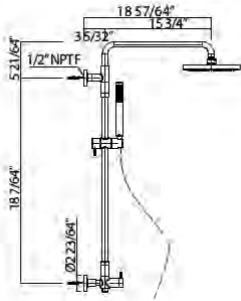
**L0095** Retro-Fit Shower Column Riser With Diverter

Suggested Retail Price

APC	PN	STN	MB	TCB
1,169	1,516	1,966	1,485	1,666



- Showerhead, handshower and flexible shower hose not included, must be ordered separately

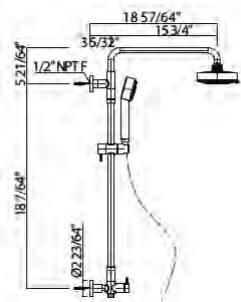
**L0095KIT1** Retro-Fit Shower Column Riser With Diverter/Handshower/Hose/Showerhead Set

Suggested Retail Price

APC	PN	STN
1,554	2,015	2,504



- Kit includes:
 - L0095: Retro-fit shower column riser with diverter
 - B0310: Soriso single-function handshower
 - W10196: Elios single-function showerhead
 - A40/1: Flexible 59" metal hose
- Flow rate 1.8 GPM

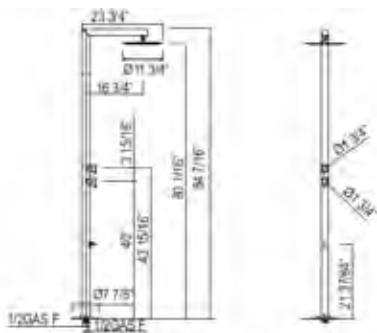
**L0095KIT2** Retro-Fit Shower Column Riser With Diverter/Handshower/Hose/Showerhead Set

Suggested Retail Price

APC	PN	STN
1,471	1,898	2,432



- Kit includes:
 - L0095: Retro-fit shower column riser with diverter
 - B0311: Cylindrica single-function handshower
 - W10195: Dinamic 3-function showerhead
 - A40/1: Flexible 59" metal hose
- Flow rate 1.8 GPM

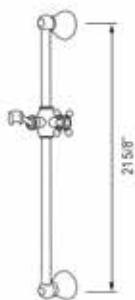
**L00362** Modern Freestanding Shower Column

Suggested Retail Price

APC
6,629



- AISI 316 stainless steel construction
- Where required by plumbing codes, it is recommended for the plumber to install a remote pressure balance valve ahead of the hot and cold water inlets

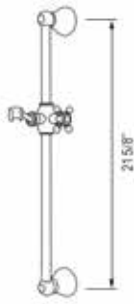
**L1200** Slide Bar

Suggested Retail Price

APC	PN	STN	IB	TCB
422	422	533	554	533



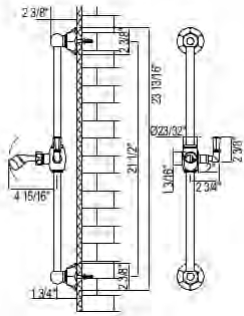
- Length may be cut down
- Porcelain cap on handle

**1201 Slide Bar**

Suggested Retail Price

APC	PN	STN	IB	SUB	TCB	ULB
422	422	533	554	533	533	536

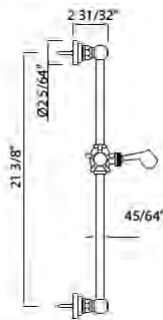
- Length may be cut down
- Metal cap on handle

**1230 Palladian® Slide Bar**

Suggested Retail Price

APC	PN	STN	IB	SUB	TCB	ULB
787	866	1,026	1,076	1,026	1,117	1,117

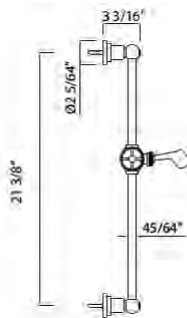
- Length may be cut down

**A8073 San Giovanni™ Slide Bar**

Suggested Retail Price

Handle	APC	PN	STN	TCB
X	560	617	751	796
XM	636	700	851	903

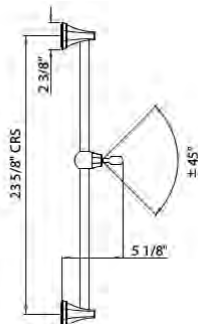
- Length may be cut down
- Lever handle version not available

**A8074 Campo™ Slide Bar**

Suggested Retail Price

Handle	APC	PN	STN	TCB
IW	598	658	801	850

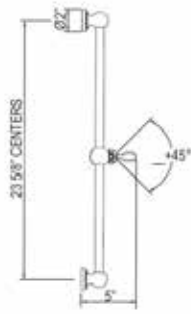
- Length may be cut down
- Lever handle version not available

**U.5140 Perrin & Rowe® Deco™ 24" Slide Bar**

Suggested Retail Price

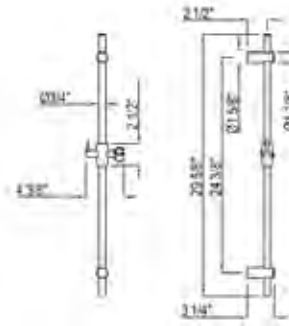
APC	PN	STN	EG	SEG	ULB
1,002	1,103	1,253	1,423	1,563	1,423

- Use with Perrin & Rowe hoses only

**U.5540 Perrin & Rowe® 24" Sliding Rail****Suggested Retail Price**

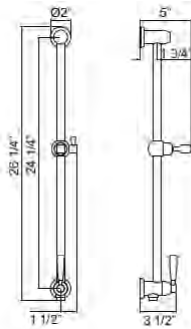
APC	PN	STN	EB	EG	SEG	ULB
955	1,051	1,194	1,357	1,357	1,357	1,357

- Use with Perrin & Rowe hoses only
- Includes both porcelain and metal lever inserts

**1650 Modern Slide Bar****Suggested Retail Price**

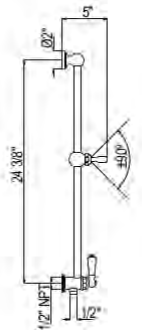
APC	PN	STN	IB	MB	SUB	TCB	ULB
331	331	438	485	485	438	438	438

- Length cannot be cut down

**U.5350 Perrin & Rowe® Holborn™ Slide Bar With Integrated Volume Control And Outlet****Suggested Retail Price**

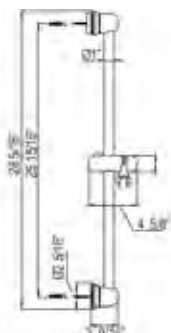
APC	PN	STN	EG
1,240	1,364	1,550	1,511

- Use with Perrin & Rowe® 9.28385 hoses only

**U.5535 Perrin & Rowe® Edwardian™ Shower Bar With Integrated Volume Control And Outlet****Suggested Retail Price**

APC	PN	STN	EB	EG	ULB
1,208	1,330	1,510	1,716	1,612	1,716

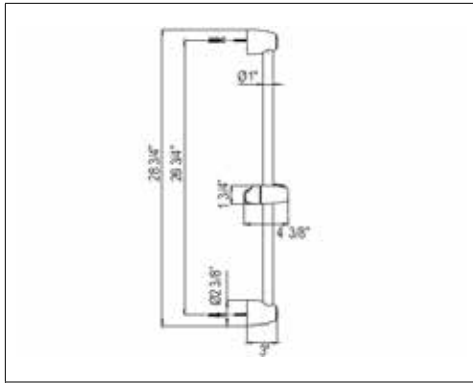
- Use with Perrin & Rowe® hoses only

**D800 Slide Bar****Suggested Retail Price**

APC	PN	STN	MB	TCB
376	526	690	690	690

- Length may be cut down





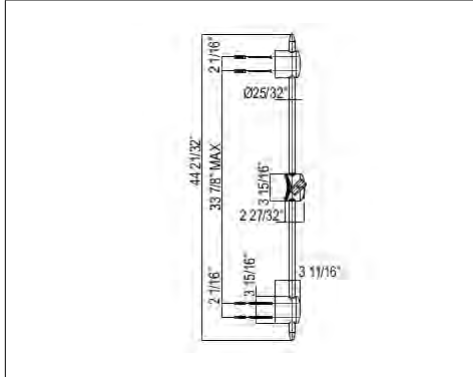
D63000 Slide Bar



- Length may be cut down

Suggested Retail Price

APC	PN	STN	SG	TCB
153	203	282	282	282



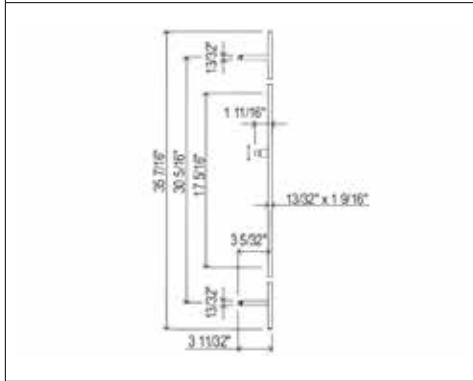
D96000 Ocean4 Slide Bar



- Length may be cut down

Suggested Retail Price

APC	PN	STN	IB	TCB
633	780	1,249	1,346	1,249



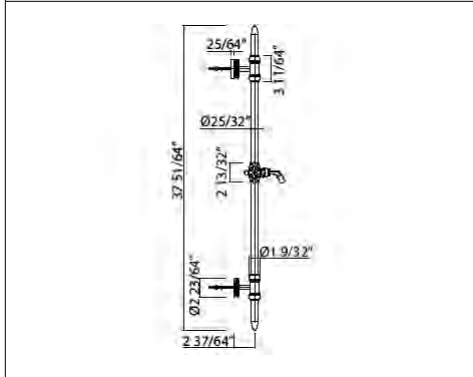
1210 Modern Flat Slide Bar



- Length cannot be cut down

Suggested Retail Price

APC	PN	STN	MB
956	956	1,247	1,419



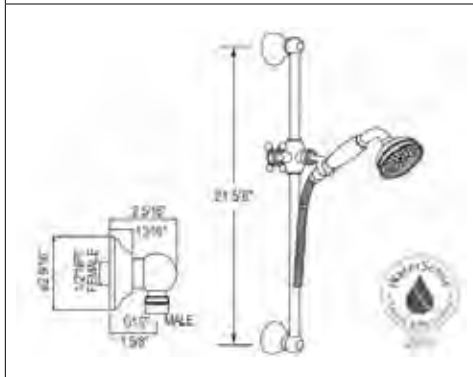
D19000 Baltera Slide Bar



- Length cannot be cut down

Suggested Retail Price

APC	PN	STN	TCB
604	776	949	1,120



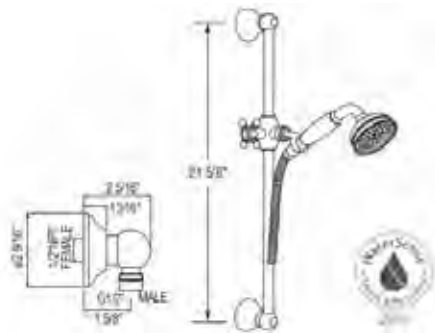
1300E Single-Function Anti-Calcium Handshower/Hose/Bar/Outlet Set



- Kit includes:
 - 1200 (white resin handle) or 1201 (metal cap handle): Slide bar
 - 1100/8 (resin handle) or 1101/8 (brass handle): Single-function handshower
 - 16295: 59" flexible metal hose
 - 1295: Wall outlet
- White RESIN insert on 1300E cross handle and handshowers, METAL insert on 1301E cross handle and handshowers

Suggested Retail Price

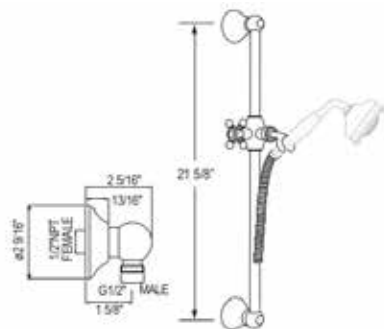
APC	PN	STN	IB	TCB
745	745	1,052	1,126	1,052

**1301E Single-Function Anti-Calcium Handshower/Hose/Bar/Outlet Set****Suggested Retail Price**

APC	PN	STN	IB	SUB	TCB	ULB
745	745	1,052	1,126	1,052	1,052	1,049



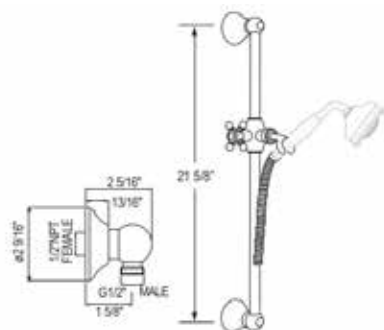
- Kit includes:
 - 1200 (white resin handle) or 1201 (metal cap handle): Slide bar
 - 1100/8 (resin handle) or 1101/8 (brass handle): Single-function handshower
 - 16295: 59" flexible metal hose
 - 1295: Wall outlet
- White RESIN insert on 1300E cross handle and handshowers, METAL insert on 1301E cross handle and handshowers

**1310 Multi-Function Classic Handshower/Hose/Bar/Outlet Set****Suggested Retail Price**

APC	PN	STN	IB	TCB
901	901	1,259	1,347	1,259



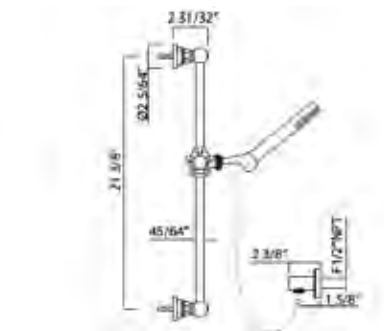
- Kit includes:
 - 1150/8 (resin handle) or 1151/8 (brass handle): 3-function handshower
 - 16295: 59" flexible metal hose
 - 1200 (white resin handle) or 1201 (metal cap handle): Slide bar
 - 1295: Wall outlet
- White RESIN insert on 1310 cross handle and handshowers, METAL insert on 1311 cross handle and handshowers

**1311 Multi-Function Classic Handshower/Hose/Bar/Outlet Set****Suggested Retail Price**

APC	PN	STN	IB	TCB	ULB
901	901	1,255	1,349	1,255	1,251



- Kit includes:
 - 1150/8 (resin handle) or 1151/8 (brass handle): 3-function handshower
 - 16295: 59" flexible metal hose
 - 1200 (white resin handle) or 1201 (metal cap handle): Slide bar
 - 1295: Wall outlet
- White RESIN insert on 1310 cross handle and handshowers, METAL insert on 1311 cross handle and handshowers

**AKIT8073 San Giovanni™ Single-Function Handshower Set****Suggested Retail Price**

Handle	APC	PN	STN	TCB
X	880	937	1,263	1,308
XM	956	1,020	1,363	1,415



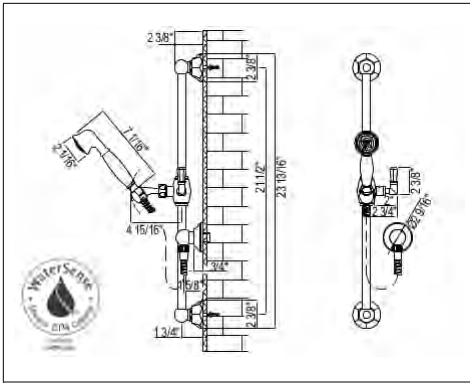
- Kit includes:
 - A8073X: Slide bar with five spoke handle sliding bracket handshower holder
 - C7135: Single-function brass handshower
 - 16295: Flexible 59" metal hose
 - 33640: Wall outlet
- Handshower flow rate 1.8 GPM

**AKIT8074 Campo™ Single-Function Handshower Set****Suggested Retail Price**

Handle	APC	PN	STN	SUB	TCB
IW	918	978	1,313	1,313	1,362



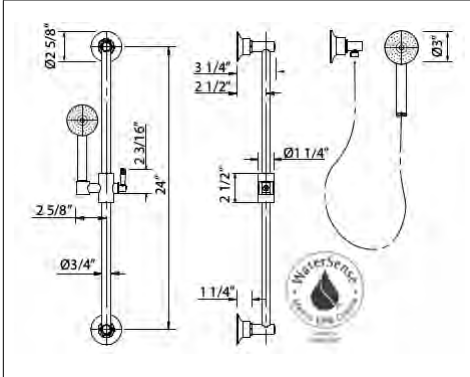
- Kit includes:
 - A8074IW: Slide bar with handshower holder
 - C7135: Single-function brass handshower
 - 16295: Flexible 59" metal hose
 - 33640: Wall outlet
- Handshower flow rate 1.8 GPM



1330 Palladian® Single-Function Handshower Set

Suggested Retail Price						
APC	PN	STN	IB	SUB	TCB	ULB
1,139	1,139	1,479	1,552	1,479	1,479	1,470

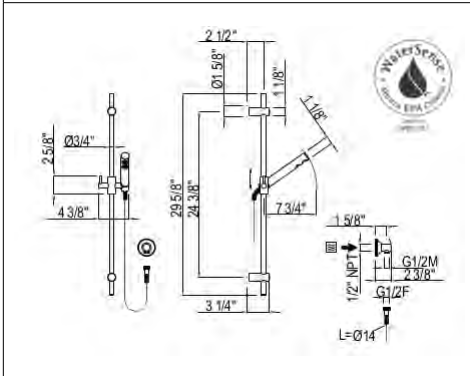
- Kit includes:
 - 1230: Slide bar
 - 1105/8: Single-function handshower
 - 16295: 59" flexible metal hose
 - 1295: Wall outlet
- Handshower flow rate 1.8 GPM



MB2046 Graceline® Single-Function Handshower Set

Suggested Retail Price				
APC	PN	STN	GM	STB
982	1,081	1,228	1,212	1,395

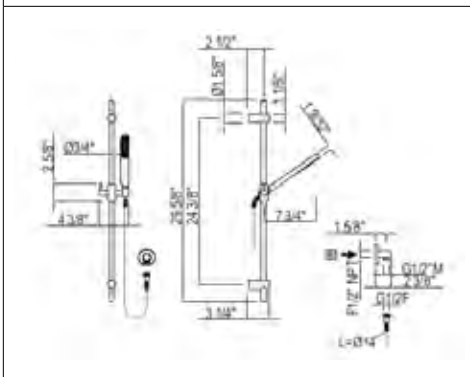
- Kit includes:
 - Slide bar
 - Single-function handshower
 - 59" Flexible metal hose
 - Wall outlet
- Flow rate 1.8 GPM



1600 Modern Single-Function Handshower Set

Suggested Retail Price		
APC	PN	STN
513	513	758

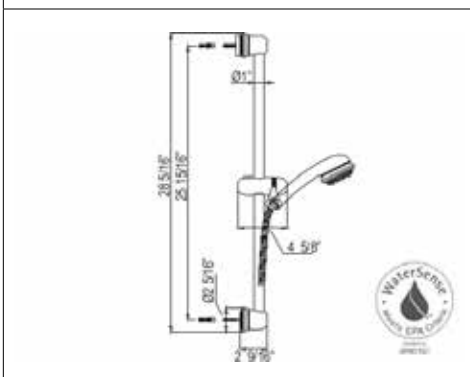
- Kit includes:
 - 1650: 29 17/32" length slide bar
 - 1670/8: Single-function handshower
 - 16295: 59" flexible metal hose
 - 1690: Wall outlet
- Handshower flow rate 1.8 GPM



1628 Meda™ Single-Function Handshower Set

Suggested Retail Price		
APC	PN	STN
620	648	949

- Kit includes:
 - 1650: Slide bar with handshower holder
 - DS1142502: Single-function handshower
 - 16295: Flexible 59" metal hose
 - 33640: Wall outlet
- Handshower flow rate 1.8 GPM



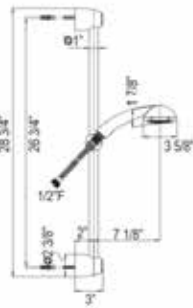
D800/1N Multi-Function Master-Flow Handshower Set With B240nhso Handshower

Suggested Retail Price			
APC	PN	STN	TCB
662	804	1,217	1,217

- Kit includes:
 - D800: Slide bar
 - B240NHSO: 3-function handshower
 - A40/1: Flexible 59" metal hose
- Wall outlet for hose and handshower required, order E824
- Flow rate 1.8 GPM



SAN GIOVANNI
SORIANO
VERONA
VIAGGIO
VINCENT
WAVE
ROUGH
SHOWER
CARE & MAINTENANCE
TERMS



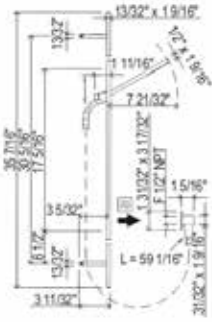
D63003 Multi-Function Rain-Flow Handshower Set With B00151 Handshower



Suggested Retail Price

APC	PN	STN	IB	TCB
335	458	640	351	640

- Kit includes:
 - D63000: Slide bar
 - B00151: 3-function handshower
 - A40/1: Flexible 59" metal hose
- Wall outlet for hose and handshower required, order E824
- Flow rate 1.8 GPM



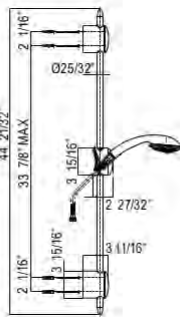
1340 Modern Rectangular Handshower Set



Suggested Retail Price

APC	PN	STN	TCB
1,700	1,700	2,214	2,217

- Kit includes:
 - 1210: Slide bar
 - 1145/8: Single-function handshower
 - 1795: Wall outlet
 - 16880: 59" flexible PVC hose
- Handshower flow rate 1.8 GPM



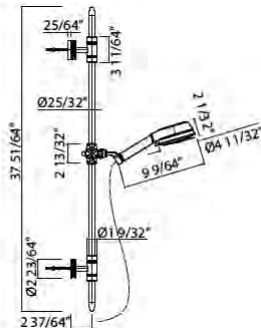
D96001 Ocean4 Multi-Function Handshower Set



Suggested Retail Price

APC	PN	STN	IB	TCB
960	1,198	1,877	2,066	1,877

- Kit includes:
 - D96000: Slide bar
 - B00102: 4-function handshower
 - A00045/175: Flexible 69" metal hose
- Wall outlet for hose and handshower required, order E824
- Flow rate 1.8 GPM



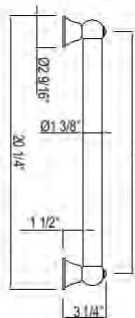
D19000/3 Baltera Multi-Function Handshower Set



Suggested Retail Price

APC	PN	STN	TCB
817	1,077	1,335	1,573

- Kit includes:
 - D19000: Shower bar
 - B0314: 3-function handshower
 - A40/1: Flexible 59" metal hose
- Wall outlet for hose and handshower required, order V00222
- Handshower flow rate 1.8 GPM



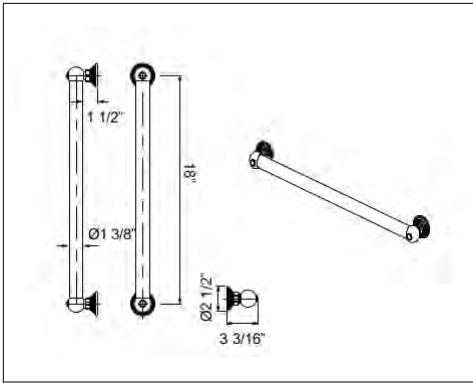
1252 18" Decorative Grab Bar



Suggested Retail Price

APC	PN	STN	IB	SUB	TCB	ULB
524	524	679	706	679	679	679

- Grab Bar compliant with Americans with Disabilities Act of 1990 (ADA)

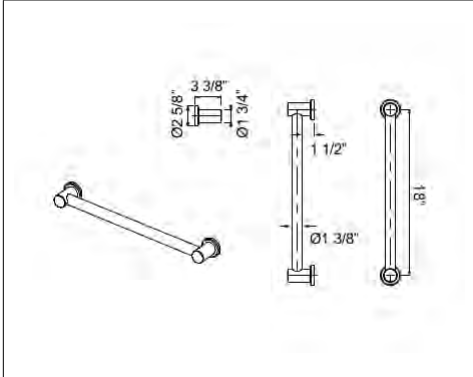


1260 18" Decorative Grab Bar

Suggested Retail Price

APC	PN	STN	IB	SUB	TCB
559	559	729	764	729	729

- Grab Bar compliant with Americans with Disabilities Act of 1990 (ADA)

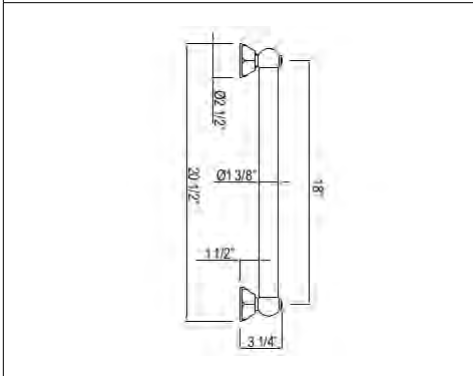


1265 18" Decorative Grab Bar

Suggested Retail Price

APC	PN	STN	IB	SUB	TCB
559	616	729	795	729	729

- Grab Bar compliant with Americans with Disabilities Act of 1990 (ADA)

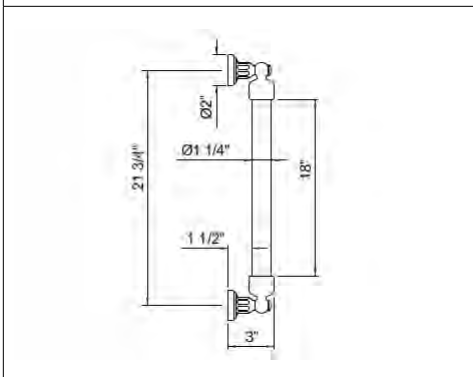


1277 18" Palladian® Decorative Grab Bar

Suggested Retail Price

APC	PN	STN	IB	SUB	TCB
933	1,027	1,217	1,266	1,217	1,324

- Grab Bar compliant with Americans with Disabilities Act of 1990 (ADA)

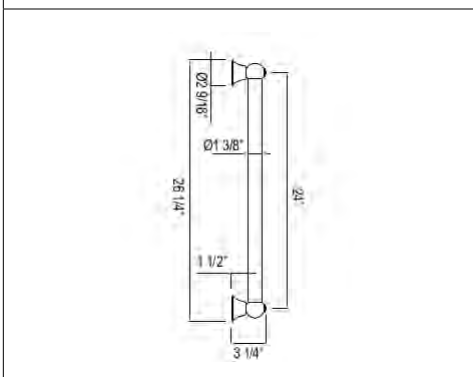


U.6907 21 3/4" Perrin & Rowe® Decorative Grab Bar

Suggested Retail Price

APC	PN	STN	EB	EG	ULB
534	588	668	758	758	758

- Grab Bar compliant with Americans with Disabilities Act of 1990 (ADA)



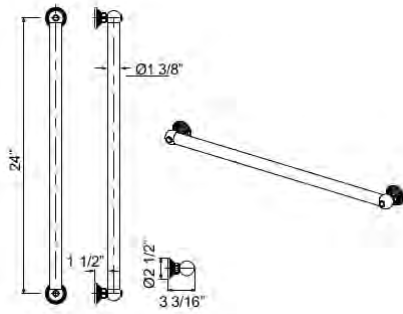
1251 24" Decorative Grab Bar

Suggested Retail Price

APC	PN	STN	IB	TCB
555	555	722	746	722

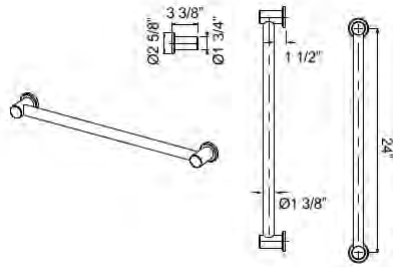
- Grab Bar compliant with Americans with Disabilities Act of 1990 (ADA)



**1261 24" Decorative Grab Bar****Suggested Retail Price**

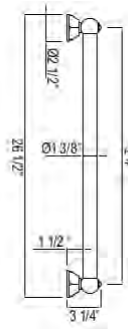
APC	PN	STN	IB	TCB
597	597	780	819	780

- Grab Bar compliant with Americans with Disabilities Act of 1990 (ADA)

**1266 24" Decorative Grab Bar****Suggested Retail Price**

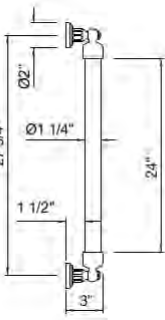
APC	PN	STN	IB	TCB
597	657	780	848	780

- Grab Bar compliant with Americans with Disabilities Act of 1990 (ADA)

**1278 24" Palladian® Decorative Grab Bar****Suggested Retail Price**

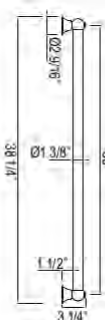
APC	PN	STN	IB	TCB
956	1,052	1,242	1,358	1,242

- Grab Bar compliant with Americans with Disabilities Act of 1990 (ADA)

**U.6911 27 3/4" Perrin & Rowe® Decorative Grab Bar****Suggested Retail Price**

APC	PN	STN	EB	EG
582	640	728	827	827

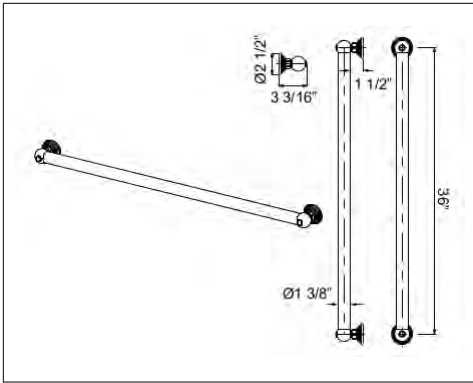
- Grab Bar compliant with Americans with Disabilities Act of 1990 (ADA)

**1250 36" Decorative Grab Bar****Suggested Retail Price**

APC	PN	STN	IB	TCB
589	589	761	791	761

- Grab Bar compliant with Americans with Disabilities Act of 1990 (ADA)



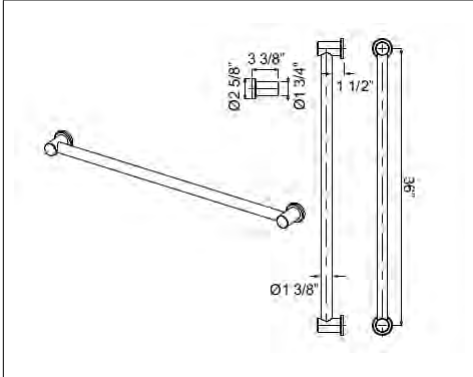


1262 36" Decorative Grab Bar

Suggested Retail Price

APC	PN	STN	IB	TCB
649	649	843	886	843

- Grab Bar compliant with Americans with Disabilities Act of 1990 (ADA)

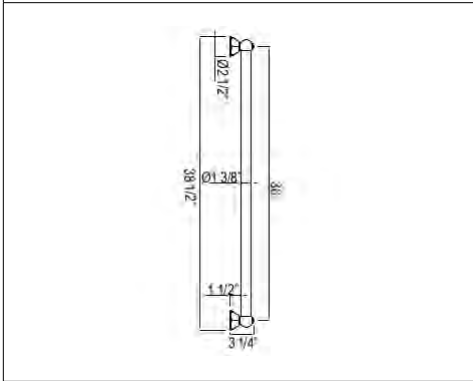


1267 36" Decorative Grab Bar

Suggested Retail Price

APC	PN	STN	IB	TCB
649	714	843	923	843

- Grab Bar compliant with Americans with Disabilities Act of 1990 (ADA)

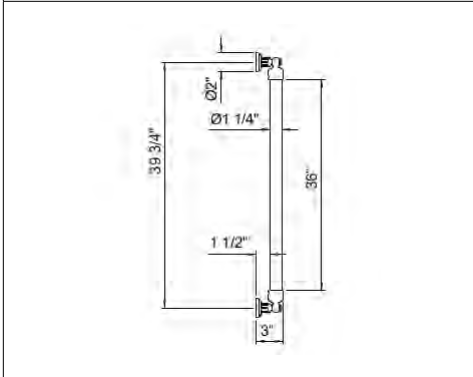


1279 36" Palladian® Decorative Grab Bar

Suggested Retail Price

APC	PN	STN	IB	TCB	ULB
992	1,092	1,289	1,409	1,409	1,409

- Grab Bar compliant with Americans with Disabilities Act of 1990 (ADA)

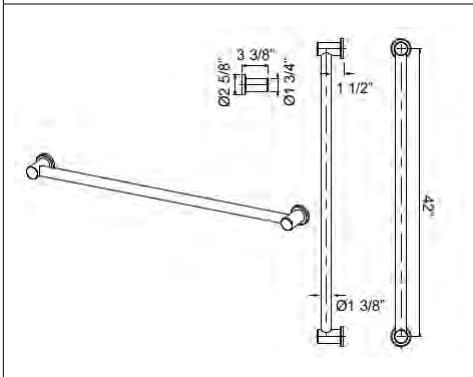


U.6914 39 3/4" Perrin & Rowe® Decorative Grab Bar

Suggested Retail Price

APC	PN	STN	EG
718	754	897	922

- Grab Bar compliant with Americans with Disabilities Act of 1990 (ADA)



1268 42" Decorative Grab Bar

Suggested Retail Price

APC	PN	STN	IB	TCB
660	727	852	938	852

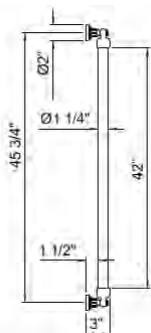
- Grab Bar compliant with Americans with Disabilities Act of 1990 (ADA)



**1280 42" Palladian® Decorative Grab Bar****Suggested Retail Price**

APC	PN	STN	IB	TCB
1,100	1,100	1,432	1,562	1,562

- Grab Bar compliant with Americans with Disabilities Act of 1990 (ADA)

**U.6915 45 3/4" Perrin & Rowe® Decorative Grab Bar****Suggested Retail Price**

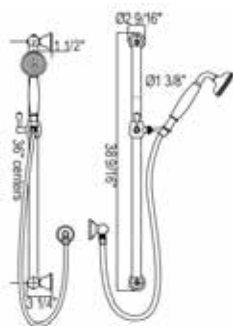
APC	PN	STN	EG
787	866	944	1,009

- Grab Bar compliant with Americans with Disabilities Act of 1990 (ADA)

**1282 24" Palladian® Decorative Grab Bar Set With Single-Function Handshower/Hose/Outlet****Suggested Retail Price**

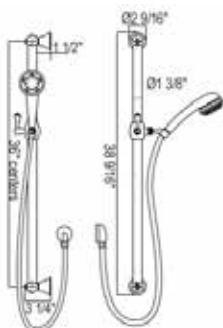
APC	PN	STN	IB	TCB
1,510	1,619	2,039	2,218	2,056

- Kit includes:
 - 1278: 24" grab bar
 - 1270/CENTR: Sliding handshower holder
 - 1105/8: Single-function handshower
 - 1295: Wall outlet
 - 16295: 59" metal hose

**1272E 36" Decorative Grab Bar Set With Single-Function Anti-Calcium Handshower/Hose/Outlet****Suggested Retail Price**

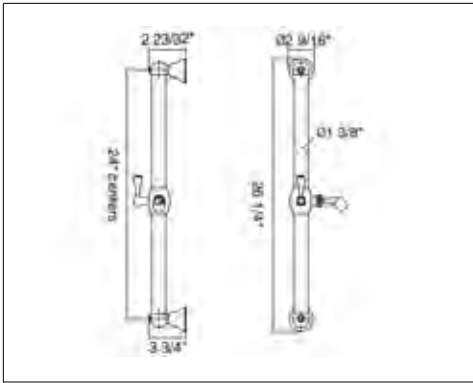
APC	PN	STN	IB	TCB
1,229	1,229	1,667	1,752	1,667

- Grab Bar compliant with Americans with Disabilities Act of 1990 (ADA)

**1273N 36" Decorative Grab Bar Set With Multi-Function Handshower/Hose/Outlet****Suggested Retail Price**

APC	PN	STN	TCB
1,202	1,292	1,669	1,686

- Grab Bar compliant with Americans with Disabilities Act of 1990 (ADA)



1271 24" Decorative Grab Bar With Lever Handle Slider



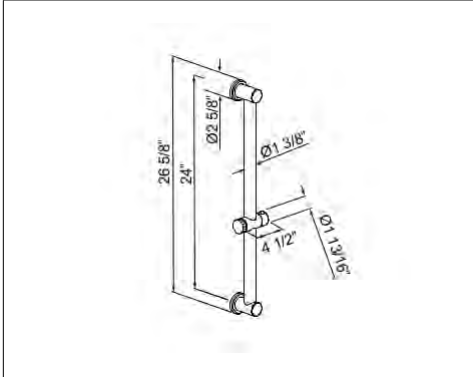
- Grab Bar compliant with Americans with Disabilities Act of 1990 (ADA)

Suggested Retail Price

APC	PN	STN	IB	TCB
832	832	1,077	1,119	1,077

SAN GIOVANNI

SORIANO



1366 24" Decorative Grab Bar With Knob Handle Slider



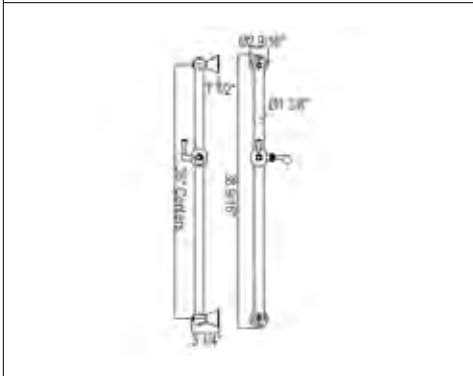
- Grab Bar compliant with Americans with Disabilities Act of 1990 (ADA)

Suggested Retail Price

APC	PN	STN	IB	TCB
861	921	1,120	1,207	1,120

VERONA

VIAGGIO



1270 36" Decorative Grab Bar With Lever Handle Slider



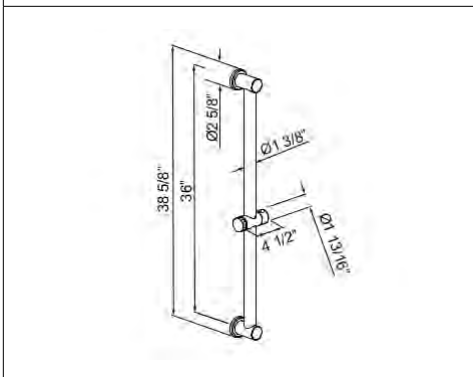
- Grab Bar compliant with Americans with Disabilities Act of 1990 (ADA)

Suggested Retail Price

APC	PN	STN	IB	TCB
866	866	1,116	1,164	1,116

VINCENT

WAVE



1367 36" Decorative Grab Bar With Knob Handle Slider



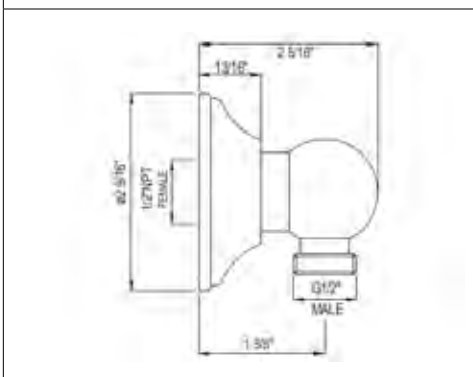
- Grab Bar compliant with Americans with Disabilities Act of 1990 (ADA)

Suggested Retail Price

APC	PN	STN	IB	TCB
913	978	1,183	1,282	1,183

ROUGH

SHOWER



1295 Handshower Shower Outlet



Suggested Retail Price

APC	PN	STN	IB	SUB	TCB	ULB
99	99	122	125	122	122	115

CARE & MAINTENANCE

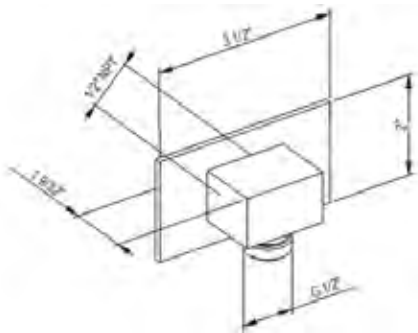
TERMS

**1690 Handshower Shower Outlet****Suggested Retail Price**

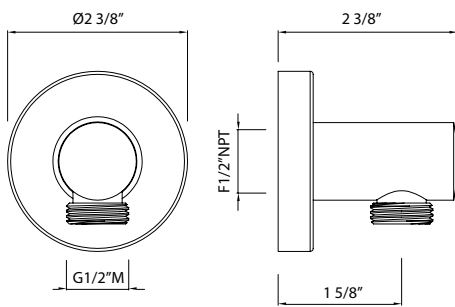
APC	PN	STN	IB	MB	SUB	ULB
90	90	119	114	121	112	119



- Modern style escutcheon available, order ROGSCO14

**1795 Square Handshower Shower Outlet****Suggested Retail Price**

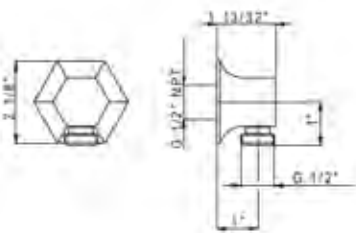
APC	PN	STN	MB	TCB
226	226	292	354	282

**33640 Handshower Shower Outlet****Suggested Retail Price**

APC	PN	STN	MB	SUB	TCB	ULB
90	90	119	121	119	119	119



- Traditional style escutcheon available, order ROS0008

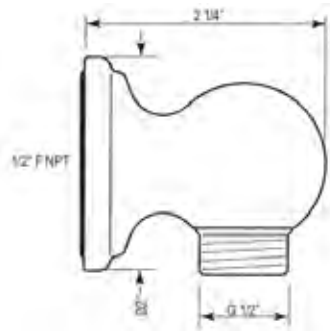
**BE170 Bellia™ Shower Outlet****Suggested Retail Price**

APC	PN	STN	RG
152	163	173	217

**E824 Handshower Wall Outlet****Suggested Retail Price**

APC	PN	STN	SG	TCB
64	84	118	118	118





U.5546 Perrin & Rowe® Shower Outlet For Handshower

Suggested Retail Price

APC	PN	STN	EB	EG	SEG	ULB
195	216	244	278	278	278	278



SAN GIOVANNI

SORIANO



V00022 Handshower Shower Outlet

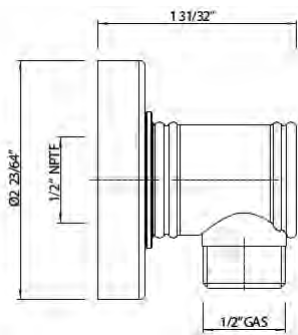
Suggested Retail Price

APC	PN	STN	SG	TCB
75	97	113	113	113



VERONA

VIAGGIO



V00222 Baltera Handshower Shower Outlet

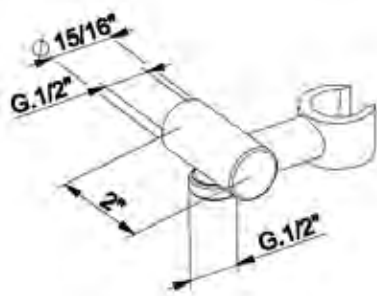
Suggested Retail Price

APC	PN	STN	SG	TCB
69	87	115	134	134



VINCENT

WAVE



1630 Handshower Holder With Outlet For Shower Arm Connection

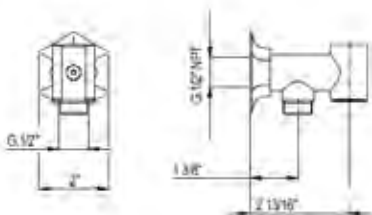
Suggested Retail Price

APC	PN	STN	IB	MB	TCB	ULB
138	138	178	186	186	178	178



ROUGH

SHOWER



BE364 Bellia™ Handshower Wall Outlet With Handshower Holder

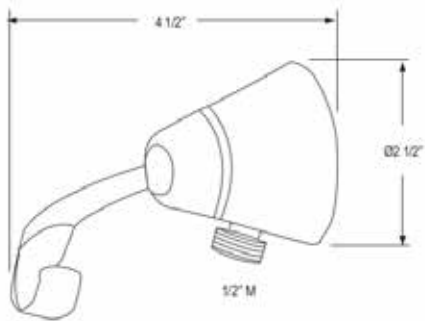
Suggested Retail Price

APC	PN	STN	RG
198	213	238	298



CARE & MAINTENANCE

TERMS

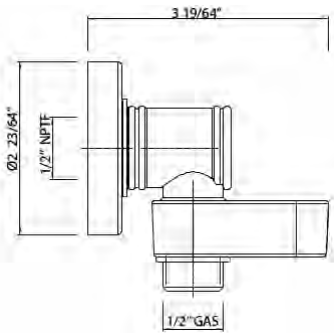
**C21000** Handshower Outlet And Handshower Holder

Suggested Retail Price

APC	PN	STN	IB	TCB
114	152	196	217	196

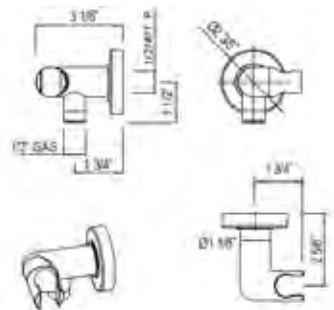


- Not recommended for use with 1150/8 or 1151/8 handshowers

**C50000** Baltera Handshower Outlet And Swiveling Handshower Holder

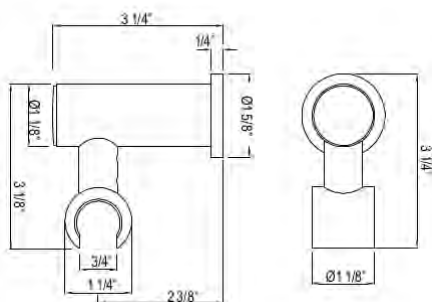
Suggested Retail Price

APC	PN	STN	TCB
115	156	195	229

**CD8000** Pivoting Handshower Holder With Hose Outlet

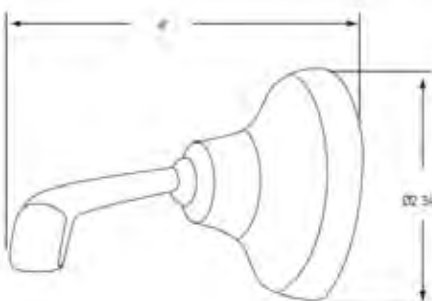
Suggested Retail Price

APC	PN	STN	SG	TCB	ULB
149	189	249	249	249	311

**1660** Wall Mount Handshower Holder

Suggested Retail Price

APC	PN	STN	IB	SUB	TCB	ULB
126	126	164	181	164	181	164

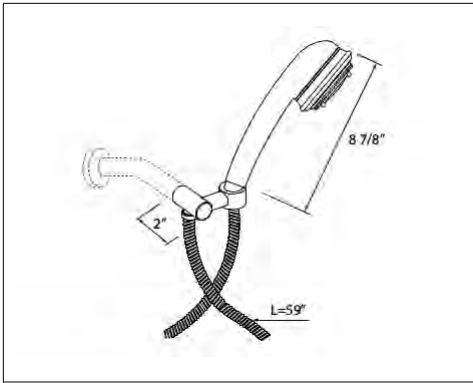
**C494** Wall Mount Handshower Holder

Suggested Retail Price

APC	PN	STN	IB	TCB
93	121	161	177	161



- Not recommended for use with 1150/8 or 1151/8 handshowers

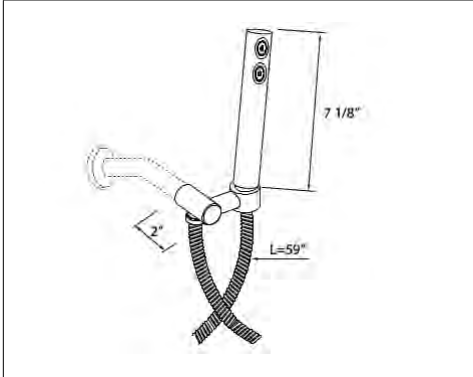


1630KIT1 Handshower, Hose And Handshower Holder Retrofit Set



Suggested Retail Price			
APC	PN	STN	TCB
367	419	652	652

- Kit includes:
 - 1630: Pivoting handshower holder
 - 16295: 59" flexible metal hose
 - B240NHSO: 3-function handshower
- Flow rate 1.8 GPM

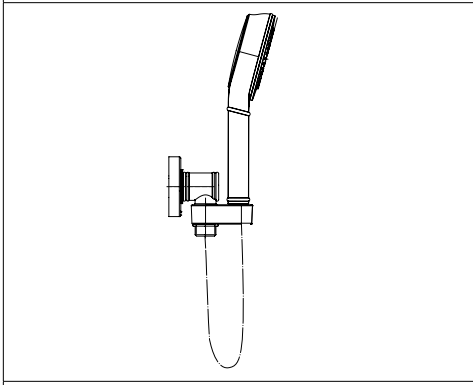


1630KIT2 Handshower, Hose And Handshower Holder Retrofit Set



Suggested Retail Price		
APC	PN	STN
266	266	434

- Kit includes:
 - 1630: Pivoting handshower holder
 - 16295: 59" flexible metal hose
 - 1670/8: Single-function handshower
- Flow rate 1.8 GPM

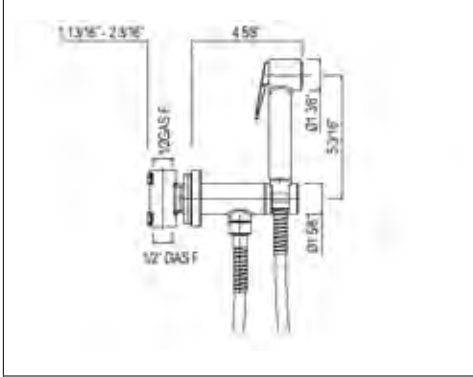


C50000/1 Baltera Handshower Outlet And Swiveling Handshower Holder Set With Hose



Suggested Retail Price			
APC	PN	STN	TCB
332	426	526	606

- Kit includes:
 - C50000: Handshower outlet with swiveling handshower holder
 - B0315: Single-function ABS handshower
 - A40/1: Flexible 59" metal hose
- Flow rate 1.8 GPM

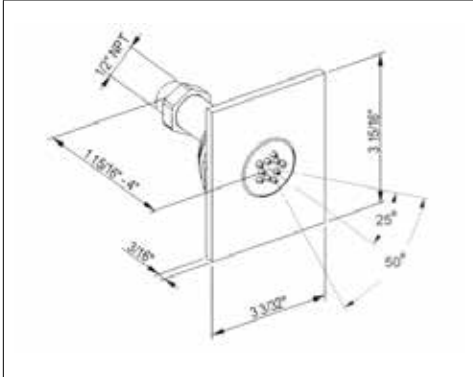


E37005 Paloma Bidet Mixer Set



Suggested Retail Price				
APC	PN	STN	MB	TCB
981	1,117	1,552	1,251	1,552

- Rough included
- Connects to hot and cold water lines
- Progressive mixer used to adjust temperature

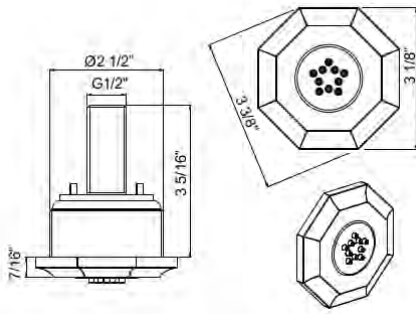


24960 Flat Panel Rectangular Swivel Body Spray With 10 Jets



Suggested Retail Price		
APC	PN	STN
438	438	568

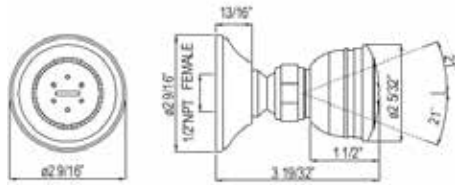
- Flow rate 1.0 GPM
- Must be installed at framing stage. Do not set finish wall until rough assembly is installed.

**24995** Single-Function Body Spray

Suggested Retail Price

APC	PN	STN
369	406	480

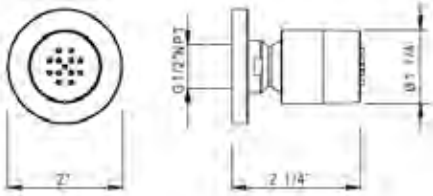
- Flow rate 1.0 GPM
- Must be installed at framing stage. Do not set finish wall until rough assembly is installed.

**1095/8** Multi-Function Body Spray

Suggested Retail Price

APC	PN	STN	IB	MB	TCB	ULB
355	355	447	465	425	447	447

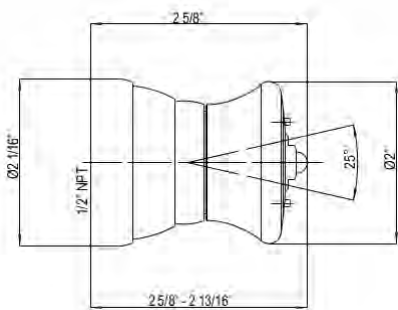
- Flow rate 1.0 GPM
- Modern style escutcheon available, order ROGSCO14

**DS015090** Bellia™ Single-Function Body Spray

Suggested Retail Price

APC	PN	STN	RG
140	170	198	254

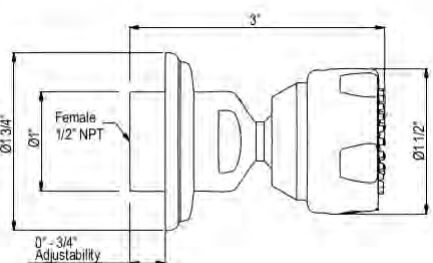
- Flow rate 0.75 GPM

**I00124** Ocean4 Multi-Function Body Spray With 10 Jets

Suggested Retail Price

APC	PN	STN	IB	TCB
112	138	189	210	189

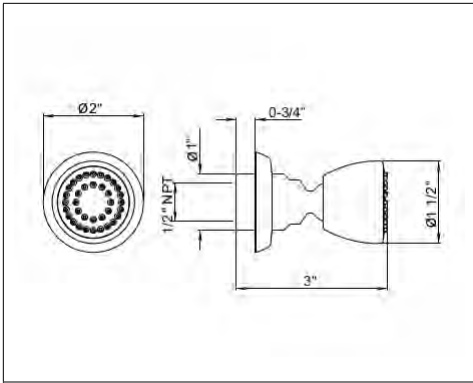
- Flow rate 1.0 GPM

**U.5570** Perrin & Rowe® Single-Function Body Spray

Suggested Retail Price

APC	PN	STN	EB	EG	ULB
319	351	398	453	453	453

- Flow rate 1.0 GPM

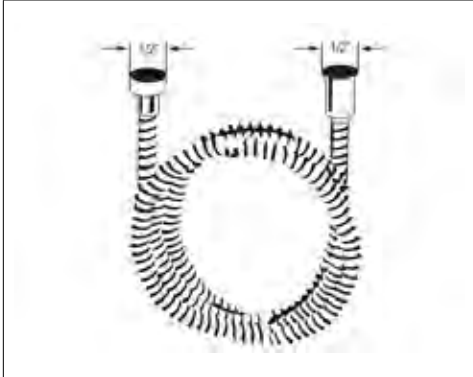


U.5870 Perrin & Rowe® Holborn™ Single-Function Body Spray



• Flow rate 1.0 GPM at 45 PSI

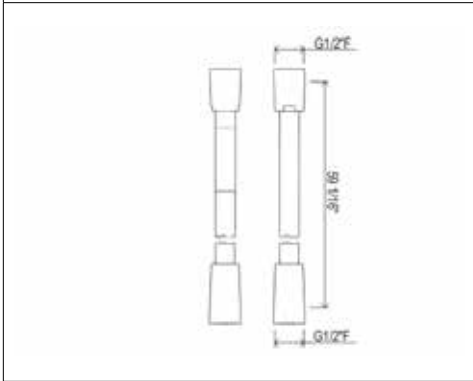
Suggested Retail Price			
APC	PN	STN	EG
312	343	390	396



16295 59" Metal Shower Hose



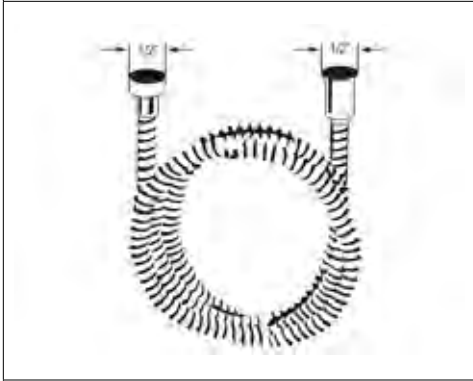
Suggested Retail Price								
APC	PN	STN	IB	MB	RG	SUB	TCB	ULB
51	51	156	181	178	442	156	156	156



16880 Smooth PVC Shower Hose Assembly



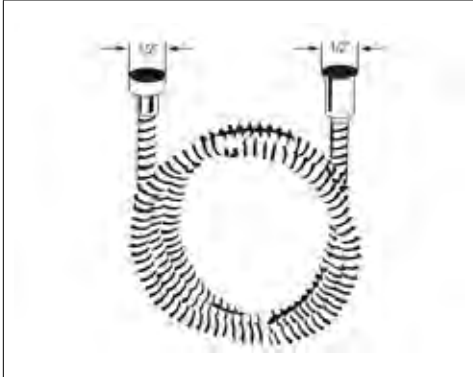
Suggested Retail Price	
APC	STN
132	171



A40/1 59" Metal Shower Hose



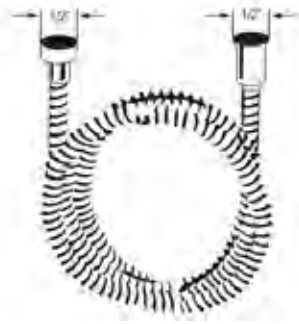
Suggested Retail Price					
APC	PN	STN	IB	SG	TCB
66	112	117	192	134	134



A00045/175 69" Metal Shower Hose Assembly



Suggested Retail Price					
APC	PN	STN	IB	SG	TCB
104	124	130	217	147	147

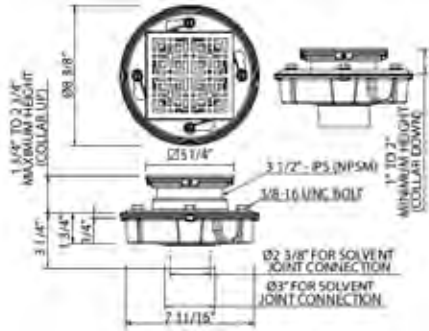


16295/79 79" Metal Shower Hose Assembly



Suggested Retail Price

APC	PN	STN	IB	TCB
78	78	251	323	251



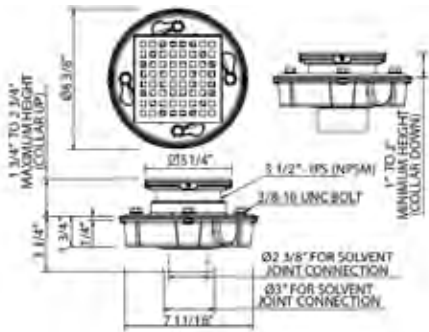
SDPVC2/3-3142 PVC 2" X 3" Drain Kit With 3142 Weave Decorative Cover

Suggested Retail Price

APC	PN	STN	IB	EB	TCB
369	394	427	518	518	503



- Accommodates 41.95 GPM flow rate



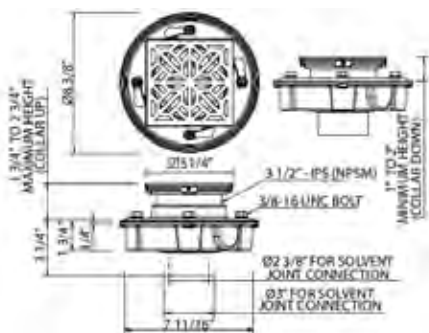
SDPVC2/3-3143 PVC 2" X 3" Drain Kit With 3143 Matrix Decorative Cover

Suggested Retail Price

APC	PN	STN	IB	EB	TCB
337	379	407	481	481	467



- Accommodates 41.95 GPM flow rate



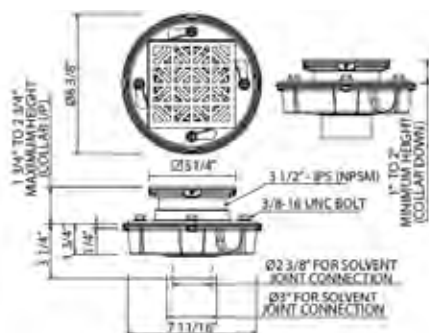
SDPVC2/3-3144 PVC 2" X 3" Drain Kit With 3144 Mosaic Decorative Cover

Suggested Retail Price

APC	PN	STN	IB	EB	TCB
369	394	427	518	518	503



- Accommodates 41.95 GPM flow rate



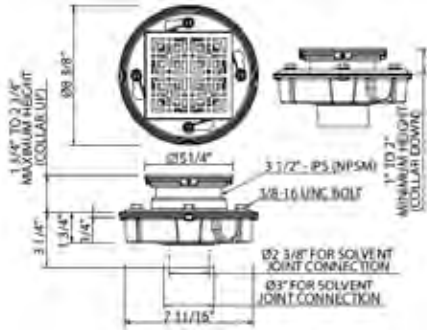
SDPVC2/3-3146 PVC 2" X 3" Drain Kit With 3146 Petal Decorative Cover

Suggested Retail Price

APC	PN	STN	IB	EB	TCB
369	394	427	518	518	503



- Accommodates 41.95 GPM flow rate



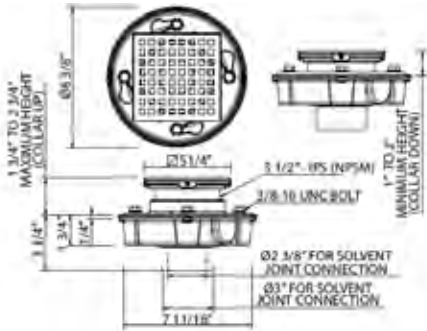
SDABS2/3-3142 ABS 2" X 3" Drain Kit With 3142 Weave Decorative Cover

Suggested Retail Price

APC	PN	STN	IB	EB	MB	TCB
384	409	442	533	533	442	518



- Accommodates 41.8 GPM flow rate



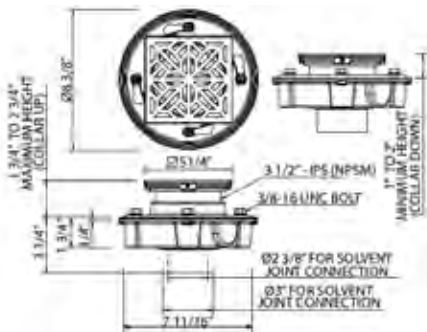
SDABS2/3-3143 ABS 2" X 3" Drain Kit With 3143 Matrix Decorative Cover

Suggested Retail Price

APC	PN	STN	IB	EB	MB	TCB
352	394	422	496	496	422	482



- Accommodates 41.8 GPM flow rate



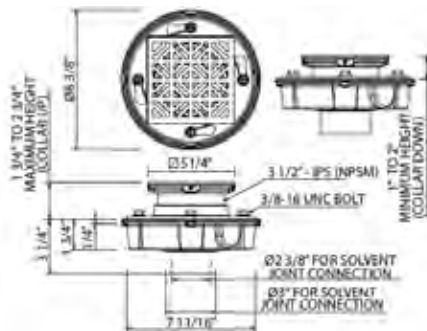
SDABS2/3-3144 ABS 2" X 3" Drain Kit With 3144 Mosaic Decorative Cover

Suggested Retail Price

APC	PN	STN	IB	EB	MB	TCB	ULB
384	409	442	533	533	442	518	578



- Accommodates 41.8 GPM flow rate



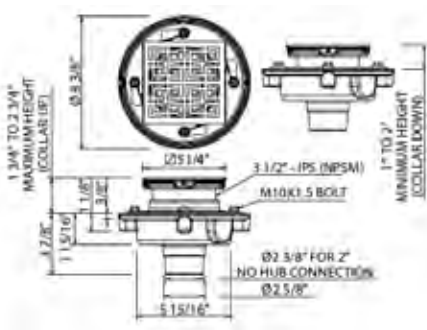
SDABS2/3-3146 ABS 2" X 3" Drain Kit With 3146 Petal Decorative Cover

Suggested Retail Price

APC	PN	STN	IB	EB	MB	TCB
384	409	442	533	533	442	518



- Accommodates 41.8 GPM flow rate



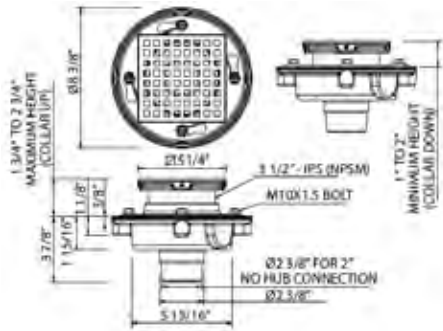
SDCI2-3142 Cast Iron 2" No Hub Drain Kit With 3142 Weave Decorative Cover

Suggested Retail Price

APC	PN	STN	IB	EB	MB	TCB
509	534	567	658	658	567	643



- Accommodates 42 GPM flow rate



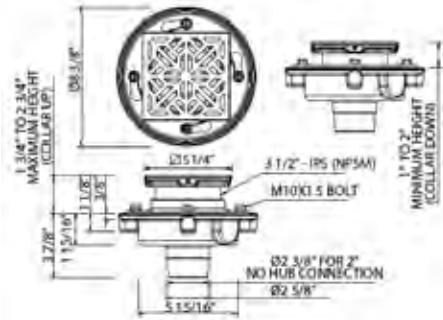
SDCI2-3143 Cast Iron 2" No Hub Drain Kit With 3143 Matrix Decorative Cover

Suggested Retail Price

APC	PN	STN	IB	EB	MB	TCB
477	519	547	621	621	547	607



- Accommodates 42 GPM flow rate



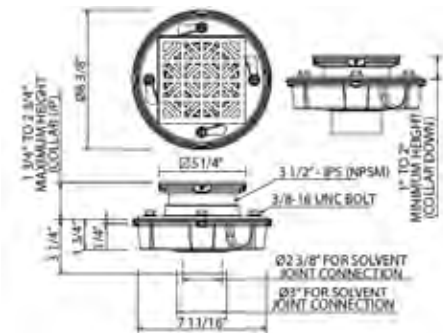
SDCI2-3144 Cast Iron 2" No Hub Drain Kit With 3144 Mosaic Decorative Cover

Suggested Retail Price

APC	PN	STN	IB	EB	MB	TCB
509	534	567	658	658	567	643



- Accommodates 42 GPM flow rate



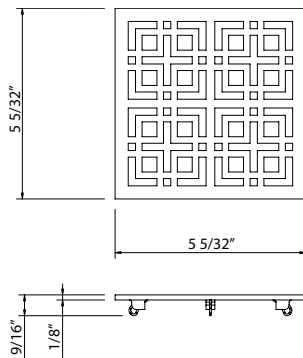
SDCI2-3146 Cast Iron 2" No Hub Drain Kit With 3146 Petal Decorative Cover

Suggested Retail Price

APC	PN	STN	IB	EB	MB	TCB
509	534	567	658	658	567	643



- Accommodates 42 GPM flow rate



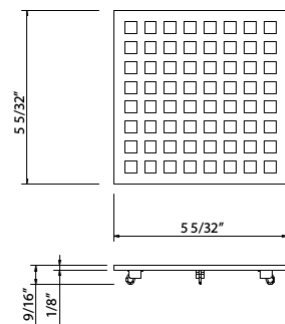
DC3142 Weave Decorative Drain Cover

Suggested Retail Price

APC	PN	STN	IB	EB	MB	TCB
229	254	287	378	378	287	363



- To complete set, select from one of the below:
 - ROHL Drain Body Kits, including throat assembly: SDCI2, SDABS2/3, SDPVC2/3
 - Customer supplied drain body* and ROHL Drain Throat Assembly: DT105CI3, DT123ABS3, DT122ABS2
- * Refer to third party drain body specification sheet for appropriate size
- Customer supplied drain body* and ROHL Drain Throat Assembly: DT105CI3, DT123ABS3, DT122ABS2



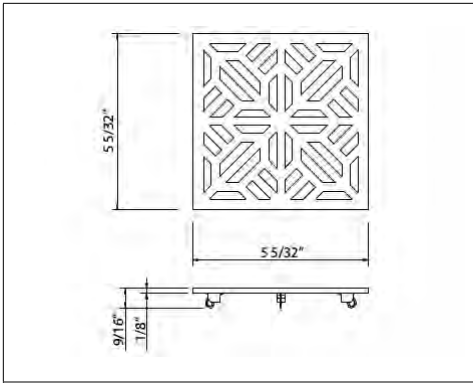
DC3143 Matrix Decorative Drain Cover

Suggested Retail Price

APC	PN	STN	IB	EB	MB	TCB	ULB
197	239	267	341	341	267	327	413



- To complete set, select from one of the below:
 - ROHL Drain Body Kits, including throat assembly: SDCI2, SDABS2/3, SDPVC2/3
 - Customer supplied drain body* and ROHL Drain Throat Assembly: DT105CI3, DT123ABS3, DT122ABS2
- * Refer to third party drain body specification sheet for appropriate size
- Customer supplied drain body* and ROHL Drain Throat Assembly: DT105CI3, DT123ABS3, DT122ABS2

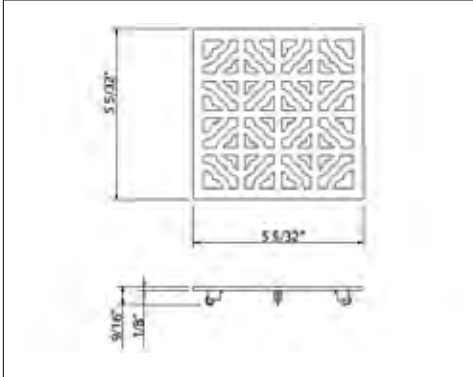


DC3144 Mosaic Decorative Drain Cover

Suggested Retail Price							
APC	PN	STN	IB	EB	MB	TCB	ULB
229	254	287	378	378	287	363	423



- To complete set, select from one of the below:
 - ROHL Drain Body Kits, including throat assembly: SDCI2, SDABS2/3, SDPVC2/3
 - Customer supplied drain body* and ROHL Drain Throat Assembly: DT105CI3, DT123ABS3, DT122ABS2
- * Refer to third party drain body specification sheet for appropriate size

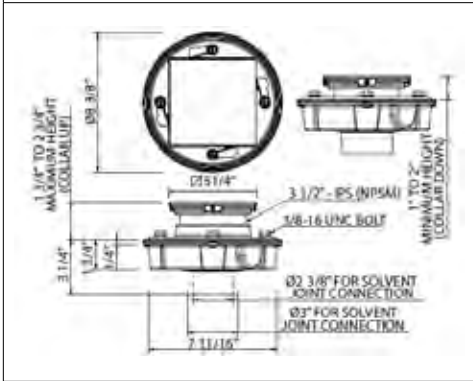


DC3146 Petal Decorative Drain Cover

Suggested Retail Price							
APC	PN	STN	IB	EB	MB	TCB	ULB
229	254	287	378	378	287	363	



- To complete set, select from one of the below:
 - ROHL Drain Body Kits, including throat assembly: SDCI2, SDABS2/3, SDPVC2/3
 - Customer supplied drain body* and ROHL Drain Throat Assembly: DT105CI3, DT123ABS3, DT122ABS2
- * Refer to third party drain body specification sheet for appropriate size

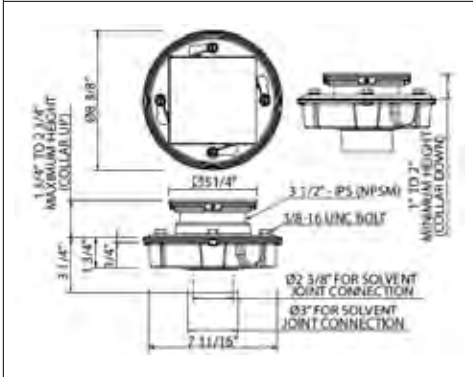


SDPVC2/3 PVC 2" X 3" Drain Body Kit

Suggested Retail Price	
	N/A
	140



- ROHL Decorative Drain Cover required to complete set: DC3142, DC3143, DC3144, DC3146
- Accommodates 41.95 GPM flow rate

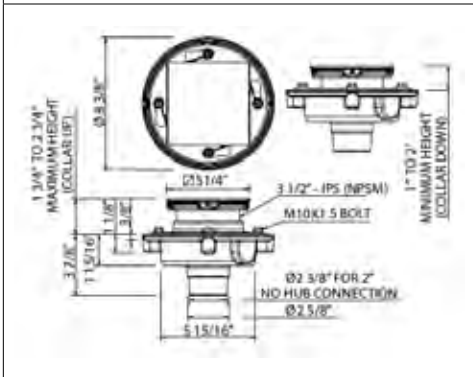


SDABS2/3 ABS 2" X 3" Drain Body Kit

Suggested Retail Price	
	N/A
	155

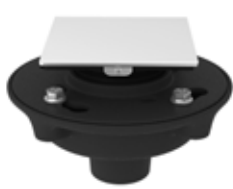


- ROHL Decorative Drain Cover required to complete set: DC3142, DC3143, DC3144, DC3146
- Accommodates 41.8 GPM flow rate

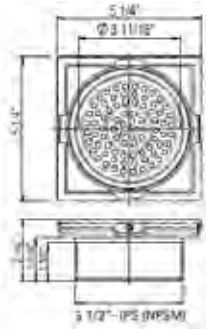


SDCI2 Cast Iron 2" No Hub Drain Body Kit

Suggested Retail Price	
	N/A
	280

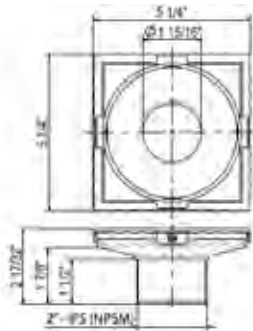


- ROHL Decorative Drain Cover required to complete set: DC3142, DC3143, DC3144, DC3146
- Accommodates 42 GPM flow rate

**DT105CI3 3 1/2" IPS Threaded Brass Drain Throat Assembly****Suggested Retail Price****N/A**

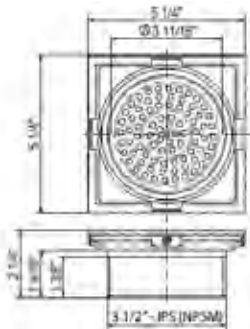
136

- ROHL Decorative Drain Cover required to complete set: DC3142, DC3143, DC3144, DC3146

**DT122ABS2 2" IPS Threaded Abs Drain Throat Assembly****Suggested Retail Price****N/A**

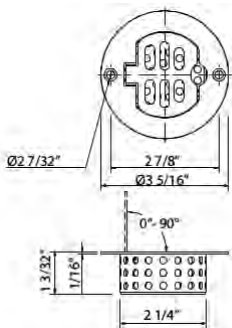
49

- ROHL Decorative Drain Cover required to complete set: DC3142, DC3143, DC3144, DC3146

**DT123ABS3 3 1/2" IPS Threaded Abs Drain Throat Assembly****Suggested Retail Price****N/A**

55

- ROHL Decorative Drain Cover required to complete set: DC3142, DC3143, DC3144, DC3146

**DR3129 Replacement Drain With Easy Clean Compartment****Suggested Retail Price**

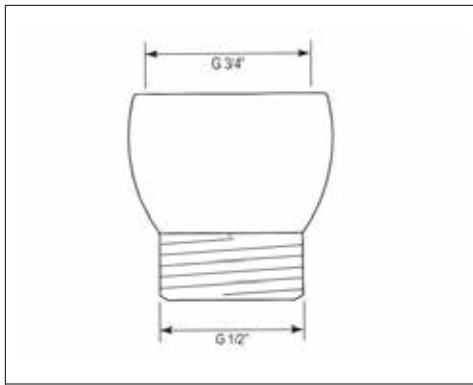
APC	PN	STN
101	116	116

- Compatible with industry standard 3 1/4" diameter replacement drains with 2 7/8" center to center fastening holes
- Screws not included, must use original screws

**U.5379 Perrin & Rowe® 3/4" M X 1/2" F Adaptor****Suggested Retail Price**

APC	PN	STN	EB	EG	ULB
40	42	46	46	49	50

- Allows 3/4" inlet showerheads to be installed on existing 1/2" shower arms



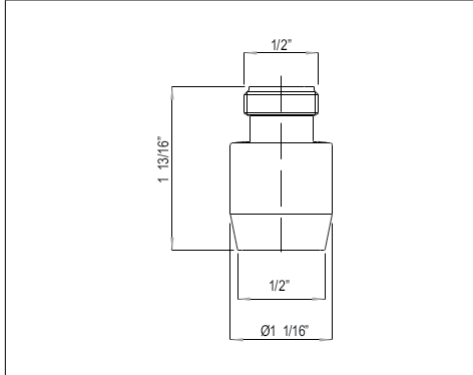
U.5399 Perrin & Rowe® 3/4" F X 1/2" M Adaptor



Suggested Retail Price

APC	PN	STN	EB	EG	TCB	ULB
60	67	73	73	77	90	78

- To connect hose to outlet of exposed tub filler or exposed thermostatic valve
- To reduce 3/4" outlet shower arm to 1/2"

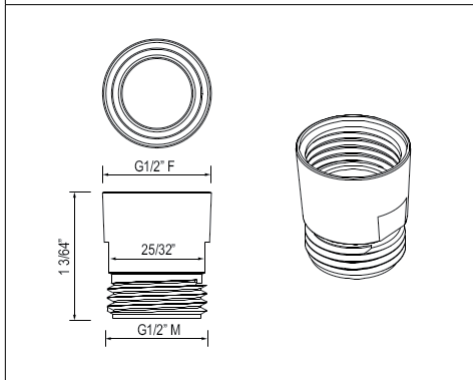


V00275 Finished Vacuum Breaker



Suggested Retail Price

APC	PN	STN	IB	EG	TCB	ULB
45	54	59	64	212	59	59

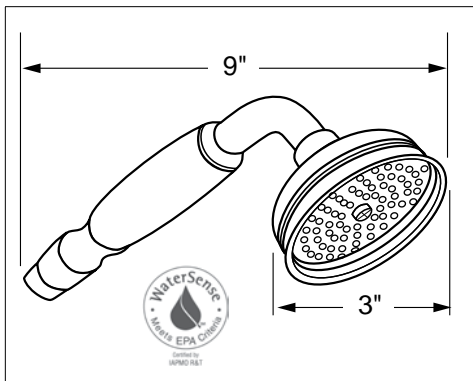


KIT0290 1/2" Brass Housing And Check Valve For Shower Outlets



Suggested Retail Price

APC	PN	STN	IB	MB	TCB	ULB
21	21	27	28	30	27	27



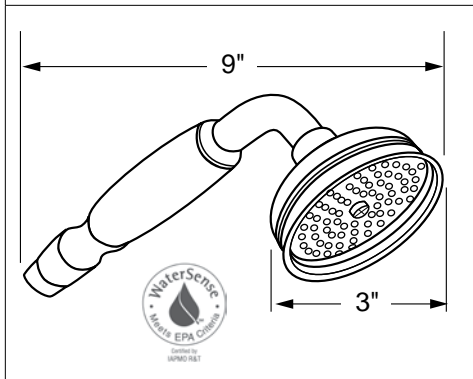
1100/8E Single-Function Anti-Calcium Handshower



Suggested Retail Price

APC	PN	STN	TCB	IB
213	213	273	273	282

- Flow rate 1.8 GPM
- White resin handshower handle



1101/8E Single-Function Anti-Calcium Handshower



Suggested Retail Price

APC	PN	STN	TCB	IB	SUB	ULB	MB
213	213	273	273	282	279	279	282

- Flow rate 1.8 GPM
- Metal handshower handle

TIPS ON DESIGNING A THERMOSTATIC SHOWER SYSTEM

- 1.) Clearly define what functions your clients want and how they intend to use them (i.e., showerhead and body sprays at the same time; showerhead alone, body sprays and handshower together, etc.).
- 2.) To ensure the best performance, use the chart below to add up the flow required to meet your client's system functions, and make sure you have the valve or valves to create sufficient flow. **For any valve, do not exceed 65PSI. You do not get more flow, but only stress your plumbing system.**

Showerheads: 1.8 GPM each

Tub Spout: Flow rate for pressure balance systems; 5 GPM.
Flow rate for thermostatic systems; 12 - 14 GPM.

Body Sprays: (x2) 1.0 GPM each, depending on model selected

Handshowers: 1.8 GPM each

- 3.) There are 3 types of thermostatic systems:
 1. 3/4" Thermostatic valve with separate volume controls. (I.e. 1005N, etc.)
 - a. Multiple functions will each have volume control for each function, or a volume control and diverter for multiple functions.
 2. 3/4" Thermostatic valve with integrated volume control. (U.5555BO, U.5550, etc.)
 - a. The volume control will control one function, or a diverter that might have one, two or three functions.
 3. 1/2" Thermostatic valve with integrated 2-way (R1052BD) or 3-way diverter (R1053BD)
 - a. The diverter is dedicated and flow is 100% when on with no volume control.

- 4.) For the most flow and control, use a thermostatic valve and a volume control for each function.

5.) For fewer handles on the shower wall and to comply to CalGreen/California Energy Commission:

- 3/4" Thermostatic valve with one volume control, with a 4 port diverter. (I.e. 1005N, R1040R volume control and R1062BO diverter)
- 3/4" Thermostatic valve with integrated shut-off with a 4 port diverter. (I.e. U.5555 going to an R1062BO diverter)
- 1/2" Thermostatic valve with dedicated 2-way (R1052BD), dedicated 3-way diverter (R1053BD)

- 6.) 50 PSI is the advised minimum water pressure you want for running two outlets at once.
- 7.) When using two thermostatic valves in one area, plumb direct for each system.
- 8.) On thermostatic valves with an upper and lower outlet, use only the upper outlet to shower systems for the best temperature delivery.
- 9.) A minimum of 100-gallon water heater is recommended. For an on demand water system, we recommend a 25-gallon standard water heater plumbed in line for consistent water temperature. Consult a professional!
- 10.) Body sprays are installed with a loop. This balances the pressure for more even flow out of each unit.
- 11.) Allow for adequate drainage. Two thermostatic valves in one area can deliver 25 to 30 gallons of water per minute. Make sure you have two 2" drains or one 3" drain for complete drainage. We offer a complete line of Decorative Shower Drains to complete the Shower experience.
- 12.) PEX sizing should allow for over sizing for best flow rates. Use a 3/4" PEX line on 1/2" systems and 1" Pex for 3/4" valves.



ITEM NUMBER

SUGGESTED RETAIL PRICE

ASTONISH

Use for cleaning marks and rust off fireclay and porcelain sinks.
17 oz. tub of paste.

\$13.00



ITEM NUMBER

SUGGESTED RETAIL PRICE

C9997

Bruno's Faucet Wax 6.5 fluid ounce maintenance bottle for
protecting Tuscan Brass finish. Good for other finishes also.

\$44.00



ITEM NUMBER

SUGGESTED RETAIL PRICE

C9999

Bruno's Faucet Wax 1.0 fluid ounce maintenance bottle for
protecting Tuscan Brass finish. Good for other finishes also.

\$21.00



ITEM NUMBER

SUGGESTED RETAIL PRICE

FLITZPOLISH

For cleaning plated finishes: Polished Chrome and Polished
Nickel. 1.7 fluid ounces. Do not use on Italian Brass, Satin
Nickel, Tuscan Brass, Old Iron or English Bronze. Also for
cleaning stainless steel wire sink grids.

\$17.00



ITEM NUMBER

SUGGESTED RETAIL PRICE

FLITZWAX

Faucet and fixture wax for Tuscan Brass primarily. 7.6 fluid
ounces. May also be used on Polished Chrome, Polished
Nickel, English Bronze, Old Iron, Satin Nickel, French Brass and
Satin Gold. Do not use on Italian Brass.

\$36.00



ITEM NUMBER

SUGGESTED RETAIL PRICE

GAGNONSSX

Spray on polisher. 7.0 fluid ounces. Safe for Polished Chrome,
Polished Nickel, Satin Nickel and English Bronze.

\$36.00



ITEM NUMBER

SUGGESTED RETAIL PRICE

FILLAFIX

Fill-A-Fix 15cc porcelain repair kit for use with Porc-A-Fix touch
up kits on porcelain or fireclay sinks with large gouges and/
or chips.

\$36.00



ITEM NUMBER

SUGGESTED RETAIL PRICE

PORCAFIXALLIAMATTEBK
PORCAFIXALLIAPERGAME
PORCAFIXALLIAWHITE
PORCAFIXSHAWSBISCUIT
PORCAFIXSHAWSBLACK
PORCAFIXSHAWSWHITE

Porc-A-Fix porcelain repair touch up glaze kit for Allia and Shaws* porcelain or fireclay sinks, 15cc bottle for chips, cracks and scratches.

Allia Matte Black (63)	\$63.00
Allia Pergame (68)	\$63.00
Allia White (00)	\$63.00
Shaws* Biscuit	\$63.00
Shaws* Black	\$63.00
Shaws* Parchment	\$63.00
Shaws* White	\$63.00



ITEM NUMBER

SUGGESTED RETAIL PRICE

RSSCLEANERCREAM

ROHL Italian stainless steel cream cleaner which restores luster for Luxury Stainless Steel or Stainless Copper Kitchen Sinks and other Stainless Steel finish products. 8.5 fluid ounce bottle.

RSSCLEANERCREAM \$29.00



ITEM NUMBER

SUGGESTED RETAIL PRICE

HOPESCLEANERSPRAY

ROHL Italian stainless steel topical spray cleaner for Luxury Stainless Steel or Stainless Copper Kitchen Sinks and other Stainless Steel finish products. 22 fluid ounce bottle.

RSSCLEANERSPRAY \$23.00



ITEM NUMBER

SUGGESTED RETAIL PRICE

RSSCLEANINGCLOTH

Set of three microfiber cloths for use in cleaning ROHL Italian Luxury Stainless Steel or Stainless Copper Kitchen Sinks and other Stainless Steel finish products.

RSSCLEANINGCLOTH \$78.00



ITEM NUMBER

SUGGESTED RETAIL PRICE

SIMICHROME

Polishing paste safe for Polished Chrome and Polished Nickel. Do not use on Satin Nickel, Tuscan Brass, Italian Brass, English Bronze, French Brass, Satin Gold or Old Iron. 1.76 fluid ounces.

SIMICHROME \$74.00

SAN GIOVANNI

SORIANO

VERONA

VIAGGIO

VINCENT

WAVE

ROUGH

SHOWER

CARE & MAINTENANCE

TERMS

HOW TO CARE AND MAINTAIN FINISHES

Do not use harsh chemicals or household cleaners with harsh chemicals or abrasives.

The finishing touch of every faucet is its exquisite surface. Each finish conveys the experience of authentic luxury through a distinctively soft, warm, genuine feel in comparison to other products made with synthetic coatings.

Maintaining Your Finish

No matter which finish you select, here are a few simple steps to keep your kitchen and bath fixtures looking beautiful for years:



Polished Chrome



Polished Nickel



Stainless Copper



Rose Gold

POLISHED CHROME, POLISHED NICKEL, STAINLESS COPPER & ROSE GOLD (Limited lifetime warranty)

Cleaning: Pat dry after use to avoid hard water spots. Clean using liquid soap and water or a 50/50 solution of water and white vinegar. Do not soak the fixture in the vinegar solution or allow the vinegar solution to soak on the finish.

Maintaining: Polish by applying Simichrome Polishing paste and then buff out with a clean soft cloth. Protect by applying Flitz Polish or Bruno's Faucet Wax.



Satin Nickel

SATIN NICKEL (Limited lifetime warranty)

Cleaning: Pat dry after use to avoid hard water spots. Clean using liquid soap and water or a 50/50 solution of water and white vinegar. Do not soak the fixture in the vinegar solution or allow the vinegar solution to soak on the finish.

Maintaining: Polish by applying Gagnon's SX. Remove black or white spots, mineral deposits and tarnish marks by lightly brushing the finish using a green Scotch Brite™ pad and water. Protect using Flitz Wax or Bruno's Faucet Wax. Brush in the same direction as in faucet.



Italian Brass



French Brass

ITALIAN BRASS and FRENCH BRASS

(5-year limited warranty on Italian Brass, no warranty on French Brass)

Cleaning: Pat dry after use to avoid hard water spots. Clean using liquid soap and water or a 50/50 solution of water and white vinegar. Do not soak the fixture in the vinegar solution or allow the vinegar solution to soak on the finish. Do not rub or buff.



Matte Black



Gun Metal

MATTE BLACK AND GUN METAL (5-year limited warranty)

These are the only powder coated finishes in the ROHL line.

Cleaning: Pat dry after use to avoid hard water spots. Clean using liquid soap and water or a 50/50 solution of water and white vinegar. Do not soak the fixture in the vinegar solution or allow the vinegar solution to soak on the finish. Do not deep clean or use abrasives.

Maintaining: Protect using Flitz Wax or Bruno's Faucet Wax. Apply by patting on and patting off. Do not rub or buff.



Unlacquered Brass



Satin Unlacquered Brass

UNLACQUERED BRASS AND SATIN UNLACQUERED BRASS (No warranty)

This is a living finish; it will tarnish and patina over time.

Cleaning: Pat dry after use to avoid hard water spots. Clean using liquid soap and water or a 50/50 solution of water and white vinegar. Do not soak the fixture in the vinegar solution or allow the vinegar solution to soak on the finish.

Maintaining: Protect using Flitz Wax or Bruno's Faucet Wax. Apply by patting on and patting off.



Stainless Steel



Brushed Stainless Steel

STAINLESS STEEL AND BRUSHED STAINLESS STEEL (Limited lifetime warranty)

Cleaning: Pat dry after use to avoid hard water spots. Clean using liquid soap and water or a 50/50 solution of water and white vinegar. Do not soak the fixture in the vinegar solution or allow the vinegar solution to soak on the finish.

Maintaining: For deep cleaning, apply Astonish and buff out with a clean soft cloth. Protect using Flitz Wax or Bruno's Faucet Wax.



Satin Gold



Tuscan Brass



Satin Brass

SATIN GOLD, TUSCAN BRASS, SATIN BRASS (5-year limited warranty on Satin Gold and Satin Brass. No warranty on Tuscan Brass)

Cleaning: Pat dry after use to avoid hard water spots. Clean using liquid soap and water or a 50/50 solution of water and white vinegar. Do not soak the fixture in the vinegar solution or allow the vinegar solution to soak on the finish.

Maintaining: Protect by using Flitz Wax or Bruno's Faucet Wax. Apply by patting on and patting off. Do not rub or buff.

OUTSIDE USE

ROHL products may be used outside. However, we do not offer a warranty. Use these tips for a successful installation. Polished Chrome is the most durable of ROHL finishes and is the best finish for outside installations. Pat dry after use to avoid hard water spots. If minerals or salt are accumulating on the fixture, clean by applying a 50/50 solution of water and white vinegar, then pat dry. Do not soak the fixture in the vinegar solution or allow the vinegar solution to soak on the finish. Spray weekly with fresh water, wipe dry and apply Flitz Wax or Bruno's Faucet Wax to avoid hard water spotting. If in freezing temperatures, winterize fixtures by removing cartridges, drain all water or store fixtures indoors.



The Beauty of a True Living Finish

The finishing touch of every ROHL faucet is its exquisite surface. Each finish conveys the experience of authentic luxury through a distinctively soft, warm, genuine feel in comparison to other products made with synthetic coatings.

Tuscan Brass and French Brass

*The ROHL Tuscan Brass and French Brass finishes differ from other ROHL faucet finishes. These finishes are “living finishes.” This means the character of the finish will develop and lighten over time depending on how the customer uses and maintains the faucet. Therefore, our standard limited lifetime warranty does not apply to either finish. **Unlacquered Brass and Satin Unlacquered Brass are also living finishes.** For warranty information see inside back cover.*

Maintaining the Experience of Authentic Luxury

To clean Tuscan Brass and French Brass, use mild soap and water or a 50/50 vinegar/water solution. Do not scrub or wipe the surface. Any use of cleansers that contain either abrasive or corrosive elements, such as ammonia, will negatively affect the finish. Never soak any faucet in vinegar and water. *This action will damage the finish.*

Although wax is applied at the factory to protect the finish as created, this protection will wear away over time and must be maintained if you wish to preserve the original dark tone. Typically, parts of the faucet handled on a daily basis, such as handles, handspray, or a spout that swivels, will begin to lighten. Do not rub or buff.

Each finish conveys the experience of authentic luxury through a distinctively soft, warm, genuine feel.

SAN GIOVANNI

SORIANO

VERONA

VIAGGIO

VINCENT

WAVE

ROUGH

SHOWER

CARE &
MAINTENANCE

TERMS





TERMS

CARE &
MAINTENANCE

SHOWER

ROUGH

WAVE

VINCENT

VIAGGIO

VERONA

SORIANO

SAN GIOVANNI

TERMS AND CONDITIONS OF SALE ON ALL PRODUCTS

PRICES:

Prices and terms are subject to change without notice. Customer is responsible for payment of all applicable taxes.

FREIGHT:

Orders \$2,500 or greater (not including tubs, net sales) = Free Freight Allowed (FFA)
 Orders \$1 up to \$2,499 (not including tubs, net sales) with any Kitchen Sink(s) = \$145 Flat Fee
 Orders \$1 up to \$2,499 (not including tubs, net sales) with Brass and Lavatory Sink(s) = \$35 Flat Fee
 Orders with a bathtub = \$200 additional flat fee per tub
 Components and Spare Parts only (No complete faucets or fixtures) = Free Freight Allowed (FFA)
 Shipper reserves the right to ship merchandise by the method of our choosing.

ALL NON-INDUSTRY RELATED SHIP TO ADDRESSES, INCLUDING RESIDENTIAL DROP SHIP ORDERS:

Any order that is drop shipped to a consumer's home will be assessed a \$20.00 charge above all standard shipping and handling fees. \$100 additional for each bathtub. Drop Ship Fee Buy Line must be on the Original Purchase Order for the order to be processed, phone number for delivery set up required.

PAYMENT TERMS:

All orders are due in 30 days from date of invoice unless agreed upon in writing by an officer of ROHL LLC.

RETURNS:

Products may not be returned for credit or replacement without prior inspection and written authorization from ROHL LLC. There will be a charge of 20% to cover handling and restocking for all authorized returns. Only merchandise currently appearing in our price list, which is in resalable condition, will be considered by ROHL LLC for return or replacement. Customer dissatisfaction is not a reason for return.

English Bronze, Old Iron, Tuscan Brass, Italian Brass, English Gold, Unlacquered Brass, French Brass, Satin Gold, Parchment and Pergame have acceptable variations that are normal and enhance the custom nature of each finish. Variation is not a reason for return.

LABOR:

No labor charges of any kind will be allowed.

CLAIMS:

All claims of lost, damaged or incorrectly shipped materials must be made to ROHL LLC within 10 days after receipt of goods. Any claims outside this time may be rejected by ROHL LLC. Orders pertaining to warranty may be subject to a \$25 processing fee.

SHIPPING DAMAGE OR LOSS:

Delivery to the carrier constitutes delivery to customer. Any claim for loss or damage in transit should be made promptly by the customer to the carrier. Our responsibility ceases when the goods are delivered in good condition to the carrier.

PRODUCT CHANGES:

We reserve the right to discontinue, alter, modify, or redesign products without liability for the obsolescence of customers' inventories.

SPECIAL ORDERS:

All special order products are non-returnable and non-cancelable once the customer order is received by ROHL LLC. These orders may have a longer lead time than standard ROHL LLC products.

GENERAL:

The possession of this price list by anyone will not be accepted by ROHL LLC as an obligation or offer to sell any goods listed herein. All prices herein quoted supersede all prior price lists and bulletins. Existing trade terms continue in effect.

No order, contract or agreement will become an obligation until accepted in writing by ROHL LLC.

ROHL LLC does not have field service technicians. We are a sales and marketing company only. Sales Representatives do not perform in-home service.

Product that is handmade and is within tolerance of published dimensions will not be considered for return.

Shaws sinks continue to be handmade since the 1897 original design. Each sink is designed with a slight pitch to the drain, so standing water is normal. Standing water is not a reason for return.

These Terms and Conditions shall be deemed to be a part of all such acceptance by ROHL LLC and shall supersede any conflicting provisions of customer's purchase order. These Terms and Conditions, any sales hereunder, and any claim, dispute, or controversy between the parties arising from or relating to these Terms and Conditions, their interpretation, or the breach, termination, or validity thereof, will be governed by and construed in accordance within the laws of the United States, without regard to conflict-of-laws rule. The parties hereby agree that the United Nations Convention on Contracts for the International Sale of Goods will not apply to these Terms and Conditions and to the purchase and sale of products hereunder and any statute which would otherwise apply which implements such convention is expressly excluded.

Other than any express limited warranty granted by ROHL LLC with respect to a product, ROHL LLC disclaims all warranties and conditions, expressed or implied, statutory or otherwise, with respect to the products, including, without limitation, any implied warranty of quality, merchantability or fitness for a particular purpose, as well as warranties arising from course of dealing and usage of trade, and ROHL LLC does not represent or warrant that any product will meet the customer's requirements.

Customer may not use the ROHL LLC name or any ROHL LLC trademark, trade name, service mark, logo, or copyrighted work for any purpose. The sale of products by ROHL LLC does not constitute a license, implied or otherwise, for the use of any patents or know-how of others, nor does it constitute a license, implied or otherwise, on patents or know-how of ROHL LLC.

ROHL LLC WILL NOT BE LIABLE FOR ANY LOSS, DAMAGE OR INJURY RESULTING FROM DELAY IN DELIVERY OF THE PRODUCTS OR FOR ANY FAILURE TO PERFORM DUE TO CIRCUMSTANCES BEYOND OUR CONTROL OR THE CONTROL OF OUR SUPPLIERS, INCLUDING WITHOUT LIMITATION FAILURE OR DELAY IN TRANSPORTATION, ACTS OF ANY GOVERNMENT OR ANY AGENCY OR SUBDIVISION THEREOF, JUDICIAL ACTION, LABOUR DISPUTES, FIRE, ACCIDENT, ACTS OF NATURE, SHORTAGE OF LABOUR, FUEL OR RAW MATERIAL, OR MACHINERY OR TECHNICAL FAILURE. ROHL LLC'S MAXIMUM LIABILITY, IF ANY, FOR ALL DAMAGES, INCLUDING WITHOUT LIMITATION CONTRACT DAMAGES AND DAMAGES FOR INJURIES TO PERSONS OR PROPERTY, WHETHER ARISING FROM OUR BREACH OF THESE TERMS, BREACH OF WARRANTY, NEGLIGENCE, STRICT LIABILITY OR OTHER TORT WITH RESPECT TO THE PRODUCTS, IS LIMITED TO AN AMOUNT NOT TO EXCEED THE THEN-CURRENT WHOLESALE PRICE OF THE PRODUCTS. IN NO EVENT WILL ROHL LLC BE LIABLE TO CUSTOMER FOR ANY INCIDENTAL, CONSEQUENTIAL OR SPECIAL DAMAGES, INCLUDING WITHOUT LIMITATION LOST REVENUES AND PROFITS, EVEN IF WE HAVE BEEN ADVISED OF THE POSSIBILITY OF SUCH DAMAGES.

Effective: 3/2020

ROHL LIMITED WARRANTY

Most products or parts carry “Limited Warranties” against manufacturing defects as defined below.

Allia Fireclay Kitchen Sinks	Limited Lifetime Warranty	Hot Water Dispensers	5-year Limited Warranty on faucet, 3-year Limited Warranty on tank
Stainless Steel/ Stainless Copper Sinks	Limited Lifetime Warranty		
Soap Dispensers	Limited Lifetime Warranty	ROHL® Kitchen & Bath	Limited Lifetime Warranty
Air Gaps, Coverplates, Sink Hole Covers, Air Switches	2-year Limited Warranty	Sanitary Ware/ Bath Fixture Accessories	1-year Limited Warranty
Kitchen Wire Sink Grids	1-year Limited Warranty	Shower	2-year Limited Warranty
Kitchen Drains, Basket Strainers	2-year Limited Warranty	Decorative Shower Drains	1-year Limited Warranty, No warranty on finish

**ROHL OFFERS A FIVE-YEAR LIMITED WARRANTY ON THE FOLLOWING FINISHES ONLY:
ITALIAN BRASS, SATIN GOLD, MATTE BLACK, AND GUN METAL.**

**ROHL DOES NOT OFFER AN EXPRESS WARRANTY ON THE FOLLOWING FINISHES FOR ANY OF ITS PRODUCTS:
TUSCAN BRASS, UNLACQUERED BRASS, SATIN UNLACQUERED BRASS, FRENCH BRASS OR SPECIAL ORDER FINISHES.**

ROHL’s Promise — A “Limited Warranty” means ROHL LLC will provide free of charge, at its option, replacement part(s) or product (or a comparable alternative product) to replace those which have proven defective in materials or workmanship within the warranty period on that product or part as stated above.

ROHL LLC will not assume liability for labor expended, freight cost or damages accruing from the use of the material purchased from us. If material is defective, the limit of damage is the price of the defective material. Proof of purchase (original sales receipt) from the original consumer purchaser must be made available to ROHL LLC for all warranty claims. The warranty is not transferable and is extended solely to the original purchaser of the product, so long as the product remains in its original installation.

Warranty Exclusions and Disclaimers — This warranty is for normal domestic use only and excludes defect or injury caused by or resulting from misuse, abuse, neglect, accidental damage or improper installation.

IN NO EVENT WILL ROHL BE LIABLE FOR ANY SPECIAL, INCIDENTAL, OR CONSEQUENTIAL DAMAGES BASED ON BREACH OF WARRANTY, BREACH OF CONTRACT, NEGLIGENCE, STRICT TORT, OR ANY OTHER LEGAL THEORY. DAMAGES THAT ROHL WILL NOT BE RESPONSIBLE FOR INCLUDE, BUT ARE NOT LIMITED TO: LOSS OF PROFITS; LOSS OF SAVINGS OR REVENUE; LOSS OF USE OF THE PRODUCT OR ANY ASSOCIATED EQUIPMENT; COST OF CAPITAL; COST OF ANY SUBSTITUTE EQUIPMENT, FACILITIES, OR SERVICES; DOWNTIME; THE CLAIMS OF THIRD PARTIES, INCLUDING CUSTOMERS; AND DAMAGES OR INJURY TO PROPERTY.

This warranty gives you specific legal rights and you may also have other rights that vary from state to state.

In addition, the Limited Lifetime Warranty and term Limited Warranties do not apply to the replacement of components where damage is caused by normal wear and tear, including without limitation excess mineral deposits from water. As a special note, avoid all cleaning products that contain abrasives, ammonia, bleach and alcohol. They may damage the finish. Also, use only non-silicone caulking adhesive or plumbers putty for installation. Do not use lead based acidic curing adhesive or mastic when installing product. Silicone caulking may also degrade brass material. The use of Blue RTV silicone during installation will void the product warranty. Due to the harsh environment of sun, wind, rain and snow, installing ROHL products for outdoor use voids the warranty.

General Disclaimer — All warranties other than the express Limited Warranty herein contained, including but not limited to any implied warranty of merchantability or fitness for a particular purpose, are limited in duration to the applicable warranty period set forth above, or the applicable limitations period set by your state, whichever is shorter. Some states do not allow limitations on how long an implied warranty lasts and some states do not allow the exclusion or limitation of incidental or consequential damages, so the above limitations or exclusions may not apply to you.

No Other Warranties — Unless modified in a writing signed by both parties, this agreement is understood to be the complete and exclusive agreement between the parties, superseding all oral or written prior agreements and all other communications between the parties relating to the subject matter of this agreement, including statements made by salespersons. No employee of ROHL or any other party is authorized to make any warranty in addition to those made in this agreement. The buyer is warned, therefore, to check this agreement carefully to see that it correctly reflects those terms that are important to the buyer.

Foreign Outlets Online — One of the benefits of the Internet is that it has granted consumers the opportunity to learn about and purchase products from previously unknown foreign companies. Unfortunately, some foreign distributors who sell the foreign versions of ROHL’s products have promoted these products for shipment to the United States. Though prices may look appealing, these products are not designed to be installed in American homes and significant problems may result. ROHL uses domestic distributors to ensure that its products meet American plumbing installation standards and have American plumbing code approvals. ROHL will not service, warrant, nor provide customer support for product purchased from foreign distributors.

Commercial Limited Warranty — ROHL warrants its products installed in a commercial application to be free from manufacturing defects for a period of one (1) year from the date of acquisition by original owner. IN COMMERCIAL INSTALLATIONS, THE ONE-YEAR LIMITED WARRANTY IS IN LIEU OF ALL OTHER WARRANTIES, EXPRESS OR IMPLIED, INCLUDING BUT NOT LIMITED TO THE IMPLIED WARRANTIES OF MERCHANTABILITY AND FITNESS FOR A PARTICULAR PURPOSE.

Effective: 3/2020



HOUSE OF ROHL

THE STORY CRAFT TELLS

We believe distinctive stories are what make life exceptional. At the House of Rohl, we pursue the discovery of time-honored craft that opens the door to stories unlike any other. Stories of place and provenance. Stories of dedication and passion. Stories of artistry and heritage. And the closer you look, the more you'll see, the details of your own story of a life well crafted.

EFFECTIVE MARCH 2, 2020

This price book supersedes all prices found in previous price books and is subject to change without notice.

Sold exclusively through fine decorative plumbing & hardware showrooms nationwide.

House of Rohl | Irvine, CA 92618
Phone: 800.777.9762 | houseofrohl.com

LIT-0001

