



COLOR KEY:

UNDERMOUNT HOODS

ISLAND HOODS



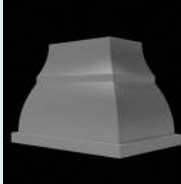



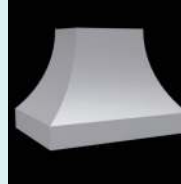
LINER INSERTS

WALL-MOUNT HOODS






							
CLH9 PAGE 45	JCWR9 PAGE 45	NPH9 PAGE 44	PRH6-K PAGE 81	PRH9 PAGE 44	SLH6-K PAGE 81	SLH9 PAGE 44	XRH9 PAGE 44

						
CIEAH6 PAGE 73	CIEH9 PAGE 60	CILH9 PAGE 60	COH PAGE 64	EPIH18 PAGE 62	EPITH18 PAGE 63	ICXH30 PAGE 64

						
ISDH18 PAGE 62	ISDAH18-K PAGE 75	ISFH18 PAGE 64	ISFH30 PAGE 64	ISLH18 PAGE 64	ISLH30 PAGE 64	IXRH18 PAGE 64




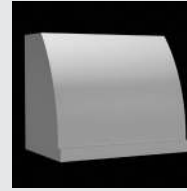

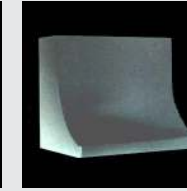
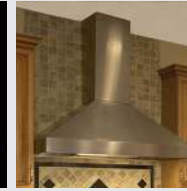
						
IZTH PAGE 61	JCIH/A1 PAGE 40	JCIH/B1 PAGE 40	JCIH/C1 PAGE 41	JDIH/C1 PAGE 42	JDIH/C2 PAGE 42	JDIH/C3 PAGE 43

						
JPIH/C1 PAGE 64	PYDH18 PAGE 62	PYH18 PAGE 64	PYH30 PAGE 64	SEPIH18 PAGE 62	SEPITH18 PAGE 63	BHPSLB / BHPSLD PAGE 65

						
BHSLD PAGE 65	KHSLD PAGE 81	THSLE / THPSLE PAGE 67	AH12 PAGE 51	CWEAH6-K PAGE 73	CWEH6-K PAGE 82	CWEH9 PAGE 53

HOODS SHOWN IN PICTURES INCLUDE OPTIONS AND ACCESSORIES.
SEE SPECIFIC HOOD PAGE FOR DETAILS.

COLOR KEY: UNDERMOUNT HOODS ISLAND HOODS LINER INSERTS WALL-MOUNT HOODS

						
CWH PAGE 52	CWLH9 PAGE 53	CWSH3 PAGE 54	CXH30 PAGE 49	DAH18 PAGE 47	DAH30 PAGE 49	EPH18 PAGE 58

						
EPH18-M PAGE 79	EPTH18 PAGE 58	GTH-K PAGE 82	JCH/A1 PAGE 32	JCH/B1 PAGE 33	JCH/C1 PAGE 34	JCH/C2 PAGE 35

						
JCWR18 PAGE 37	JDH/C1 PAGE 35	JDH/C3 PAGE 36	JDH/C2 PAGE 35	JPH/C1 PAGE 36	JPH/C2 PAGE 36	NEPH18 PAGE 58

						
NEPTH18 PAGE 58	NPH18 PAGE 46	PDAH14-K PAGE 74	PDH14 PAGE 57	PDAH7-K PAGE 74	PDH7-K PAGE 83	PDH14-K PAGE 83

						
PRAH6-K24 PAGE 72	PRH18 PAGE 46	PRXH18 PAGE 46	PWH18 PAGE 47	PWH30 PAGE 49	SEPH18 PAGE 59	SEPTH18 PAGE 59

						
SLDH14 PAGE 57	SLH18 PAGE 46	SLH30 PAGE 50	TLH PAGE 66	XLH12 PAGE 55	XRH18 PAGE 47	ZTH PAGE 56

HOODS SHOWN IN PICTURES INCLUDE OPTIONS AND ACCESSORIES.
SEE SPECIFIC HOOD PAGE FOR DETAILS.

MODEL NUMBER INDEX

AH12	51
BH-LB	68
BH-LD	68
BHPSLB	65
BHPSLD	65
BHSLD	65
CIEH9	60
CIEAH6	73
CIEH6-K	83
CILH9	60
CLH9	45
COH	64
CWEAH6-K	73
CWEH6-K	82
CWEH9	53
CWH	52
CWLH9	53
CWSH3	54
CXH18-M	77
CXH30	49
DAH18	47
DAH30	49
EPH18	58
EPH18-M	79
EPIH18	62
EPITH18	63
EPTH18	58
GTH-K	82
ICXH30	64
ISDAH18-K	75
ISDH18	62
ISFH18	64
ISFH30	64
ISLH18	64
ISLH30	64
IXRH18	64
IZTH	61
JCH/A1	32
JCH/B1	33
JCH/C1	34
JCH/C2	35
JCIH/A1	40
JCIH/B1	40
JCIH/C1	41
JCWR18	37
JCWR9	45
JDH/C1	35
JDH/C2	35
JDH/C3	36
JDIH/C1	42

JDIH/C2	42
JDIH/C3	43
JPH/C1	36
JPH/C2	36
JPIH/C1	64
KAHSLD	72
KHSLD	81
MPSLD	78
MSLD	78
NEPH18	58
NEPTH18	58
NPH18	46
NPH9	44
PDAH14-K	74
PDAH7-K	74
PDH14	57
PDH14-K	83
PDH7-K	83
PRAH6-K	72
PRH18	46
PRH18-M	77
PRH18-M 30" DEPTH	77
PRH6-K	81
PRH9	44
PRXH18-M	77
PWVH18	47
PWVH30	49
PYDAH18	75
PYDH18	62
PYH18	64
PYH30	64
SEPH18	59
SEPIH18	62
SEPITH18	63
SEPTH18	59
SLAH6-K	72
SLDH14	57
SLH18	46
SLH30	50
SLH6-K	81
SLH9	44
TH-LC	69
TH-LE	69
THPSLE	67
THSLE	67
TLH	66
XLH12	55
XRH18	47
XRH9	44
ZTH	56

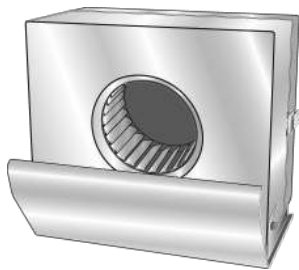
TABLE OF CONTENTS

	Page
Picture Index	2
Model Number Index	4
Features and Benefits - The Vent-A-Hood Difference	6
Keys to Superior Ventilation	8
Stock Item List	11
Concierge Ventilation Service	31
Build-A-Hood Online Custom Design Tool	31
Designer Series Hoods	32
<i>Wall Mount</i>	32
<i>Island</i>	40
Under Cabinet Hoods	44
Wall Mount Hoods	46
<i>18" Tall Wall Mount</i>	46
<i>30" Tall Wall Mount</i>	49
<i>Other Wall Mount Styles - Retro, CWH, TLH, AH</i>	51
<i>Contemporary Wall Mount</i>	53
<i>Euro-Style Wall Mount - 14" & 18" Tall</i>	57
Island Hoods	60
<i>Contemporary Island</i>	60
<i>Euro-Style Island</i>	62
<i>Other Island Hood Styles</i>	64
Liner Inserts	65
<i>Wall Mount</i>	65
<i>Island</i>	67
<i>Custom</i>	68
ARS Hoods and Liner Inserts	70
<i>Liner Inserts</i>	72
<i>Contemporary Wall Mount and Island</i>	73
<i>Euro-Style Wall Mount and Island</i>	74
M-Series Hoods and Liner Inserts	76
V-Line Hoods and Liner Inserts	80
Blower Options	84
Remote Blowers and Accessories	85
Splash Panels	86
Warming Lamps and Shelves	87
Accessory Rail	88
BBQ Extension	89
Bands & Pot Rails	90
Band & Lip Treatment Attachment Options	91
Color Finish Options	92
Venting Accessories and Parts	94
Vent-A-Hood Warranty	96
Pinnacle Express, Inc. Terms and Conditions of Sale	97



THE VENT-A-HOOD DIFFERENCE

Our Premium Magic Lung® Blower



Constant 99% Centrifugal Grease Extraction

GREASE EXTRACTION

Laboratory testing of competitive units shows that only about 30% of the grease is collected in the filter during typical residential cooking.

MAGIC LUNG®



OTHER BRANDS

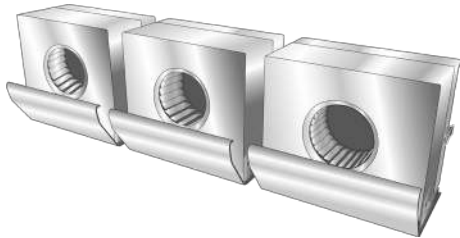
The patented Magic Lung® centrifugal grease extractor ◀ collects 99% of the grease 100% of the time

Screen/Baffle Filter



5% to 60% Variable Grease Extraction

The Quietest Ventilation Available



300 CFM = 5.4 sones
600 CFM = 6.5 sones
900 CFM = 6.3 sones
1200 CFM = 6.6 sones

QUIET & POWERFUL

Variable speed blowers become louder and louder as CFM increases. ▶

MAGIC LUNG®



OTHER BRANDS

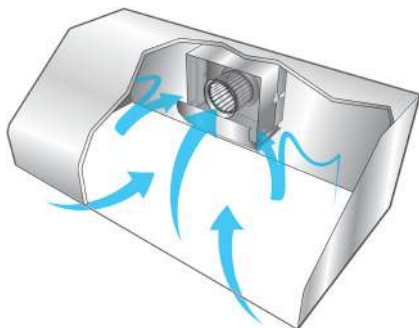
Each Magic Lung® blower supplies 300 CFM of air flow - combining multiple blowers will meet any air flow requirement without increasing the noise level. ◀

Noisy Variable Speed Blower



300 CFM = 6.0 sones
600 CFM = 9.0 sones
900 CFM = 12.0 sones
1200 CFM = 15.0 sones

Collection



Large Active Canopy Removes Contaminants

EFFICIENT

Filters obstruct air flow and spoil the collector properties of the canopy. ▶

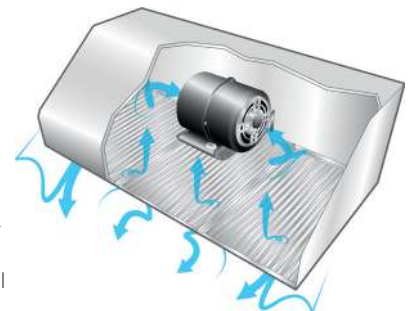
MAGIC LUNG®



OTHER BRANDS

◀ A range hood equipped with the Magic Lung® blower system is a wide open, active collector that invites contaminants in. A proper collector is the most critical element for good cooking ventilation and requires 1/3 less air flow than a filter-style range hood.

Barrier



Closed Canopy Restricts Air Flow

THE VENT-A-HOOD DIFFERENCE

E-Z Clean System



Blower Housing Snaps Apart for Fast Cleaning

EASY TO CLEAN

Cleaning the grease from behind the filter is nearly impossible. Access is limited by components and sharp protrusions. Even the motor gets greasy. ▶

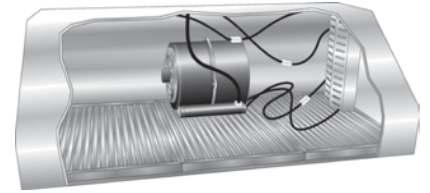
MAGIC LUNG®



OTHER BRANDS

The E-Z Clean System makes routine cleaning easier than ever. Simply slide out the collection tray, wipe it ◀ off, or pop it in the dishwasher, and you are done.

Difficult to Clean



Grease Escaping the Filters Coats the Motors and Wiring

Flame has no Access to Secondary Sources of Combustion



No Greasy Filter to Sustain a Secondary Fire

FIRE SAFETY

Cooking fires are the leading cause of home fires (150,000 per year - NFPA). Filters are flammable and can sustain a secondary fire near the inlet to the blower leading to a duct fire. Fire insurance claims against filtered hoods are common.

MAGIC LUNG®



OTHER BRANDS

The Magic Lung® Constant-Speed Blower is designed to keep grease and flame from entering the duct. In over 75 years, Vent-A-Hood has never received a report of an attic or wall fire when the Magic Lung® has been in use.

Flame has Direct Access to Multiple Sources of Combustion



Greasy Filters and Ducting are Flammable

The Performance Guranteed Magic Lung®



WARRANTY

◀ MAGIC LUNG®



OTHER BRANDS ▶

Standard Industry Warranty



We've got you covered with the best warranty among leading brands. Vent-A-Hood has long been the most respected name in ventilation. Our products are guaranteed to work and we stand on over 80 years of manufacturing the highest quality ventilation products. Our family is devoted to your satisfaction.

KEYS TO SUPERIOR VENTILATION

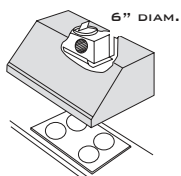
BLOWER(S) • CANOPY • DUCTING

- The first question you should ask a customer is how many BTUs or wattage are produced by the type of cooking equipment that is in their kitchen.
- The hood, blower system and ducting should be designed to handle the heat being produced from the cooking surface.
- Refer to chart below to determine how many CFM (Cubic Feet per Minute) are needed.

Match Number of Blowers to Cooking Equipment

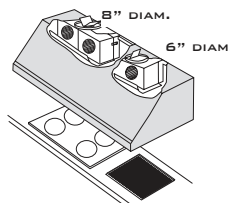
HOOD TYPE	COOKING EQUIPMENT TYPES:		MAGIC LUNG® BLOWER(S) (TRUE CFM)	COMPETITOR EQUIVALENT CFM*
	MULTI-BURNER COOKTOP RATING (BTU/WATTS)	BBQ, WOK OR GRIDDLE (BTU/WATTS)		
WALL-MOUNT OR UNDER CABINET	12,000 WATTS	12,000 WATTS	240 CFM K SERIES BLOWER 300 CFM B100 SINGLE BLOWER	360 CFM 450 CFM
UNDER-CABINET	40,000 - 60,000 BTU 24,000 WATTS	40,000 - 60,000 BTU 24,000 WATTS	600 CFM (B200 DUAL BLOWER)	900 CFM
WALL-MOUNT	40,000 - 60,000 BTU	40,000 - 60,000 BTU 24,000 WATTS	600 CFM (B200 DUAL BLOWER)	900 CFM
WALL-MOUNT	60,000 - 90,000 BTU	60,000 BTU 36,000 WATTS	900 CFM (ONE B100 SINGLE BLOWER PLUS ONE B200 DUAL BLOWER)	1350 CFM
WALL-MOUNT	80,000 - 120,000 BTU	80,000 BTU 48,000 WATTS	1200 CFM (TWO B200 DUAL BLOWERS)	1800 CFM
ISLAND	40,000 - 60,000 BTU	40,000 BTU 24,000 WATTS	550 CFM (T200 ISLAND DUAL BLOWER)	900 CFM
ISLAND	80,000 - 120,000 BTU	80,000 BTU 48,000 WATTS	1100 CFM (T400 ISLAND CLUSTER BLOWER)	1800 CFM

* Because the Magic Lung® uses centrifugal filtration units rather than conventional baffle or mesh filters, the Magic Lung® Blower can handle cooking equipment with higher cubic feet per minute (CFM) requirements and is much more efficient than other filtration systems. When comparing Magic Lung® blowers to that of other competitor units, Magic Lung CFM ratings reflect true CFM ratings. For example, a competitor's 1800 CFM blower unit has a performance equivalent CFM of 1200 CFM.



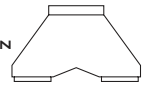
- 300 CFM (450 CFM EQUIVALENT)
- B100 SINGLE BLOWER
- 6" DIAMETER VENT

*



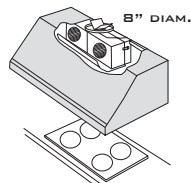
- 900 CFM (1,350 CFM EQUIVALENT)
- B200 DUAL & B100 SINGLE BLOWER
- 8" AND 6" DIAMETER VENTS
- VP562 MULTI BLOWER TRANSITION

*



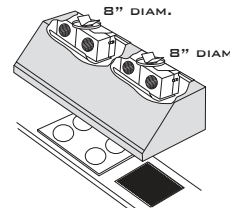
VP562
(6" AND 8" TO 10")

*



- 600 CFM (900 CFM EQUIVALENT)
- B200 DUAL BLOWER
- 8" DIAMETER VENT

*



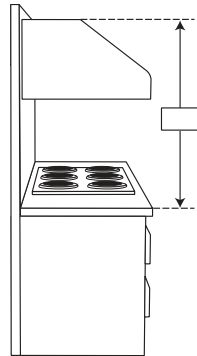
- 1200 CFM (1,800 CFM EQUIVALENT)
- TWO B200 DUAL BLOWERS
- TWO 8" DIAMETER VENTS
- VP563 MULTI BLOWER TRANSITION



VP563
(8" AND 8" TO 12")

KEYS TO SUPERIOR VENTILATION

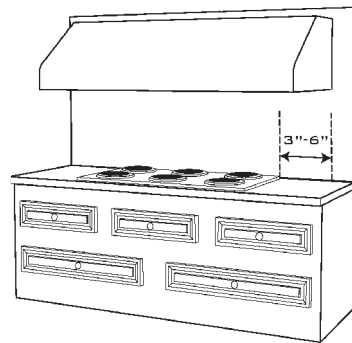
CANOPY SIZE AND PLACEMENT



WHAT HEIGHT HOOD DO YOU NEED?

THE HOOD HEIGHT IS DEPENDENT UPON THE DISTANCE BETWEEN YOUR COOKING SURFACE AND YOUR CABINET, SOFFIT, OR CEILING.

- 6" UNDER CABINET - FOR 27" TO 30"
- 9" UNDER CABINET - FOR 30" TO 33"
- 18" WALL MOUNT - FOR 48"+
- 30" WALL MOUNT - FOR 60"+



WHAT WIDTH HOOD DO YOU NEED?

WHEREVER POSSIBLE, THE WIDTH OF THE HOOD SHOULD OVERLAP THE BURNERS 3"-6" ON EACH SIDE. THIS IS A MUST FOR ISLANDS.

- 30" 36" 42" 48"
- 54" 60" 66" CUSTOM

WHAT DEPTH HOOD DO YOU NEED?

THE HOOD SHOULD BE DEEP ENOUGH TO COVER ALL BURNERS.

- UNDER CABINET 19-1/2" OR 21" (STANDARD)
- WALL MOUNT 24" STANDARD - MOST PRO-STYLE
27" PRO-STYLE COOKING
- ISLAND HOOD 27" STANDARD COOKING
30" PRO-STYLE COOKING

DUCTING - USE CORRECT SIZE AND INSTALL PROPERLY

DUCTING DO'S AND DON'TS

- NEVER RESTRICT DUCT SIZE
- RUN THE DUCT AS SHORT AND STRAIGHT AS POSSIBLE
- ENLARGE THE DUCT FOR LONGER RUNS (OVER 20')
- SEAL ALL JOINTS WITH DUCT TAPE
- MAINTAIN 4 TO 5 FOOT SPACING BETWEEN TURNS
- TURNS SHOULD BE SMOOTH AND GRADUAL

DUCT SIZES

- 12 INCH ROUND DUCT = 113 SQUARE INCHES OF SPACE
- 10 INCH ROUND DUCT = 79 SQUARE INCHES OF SPACE
- 8 INCH ROUND DUCT = 50 SQUARE INCHES OF SPACE
- 7 INCH ROUND DUCT = 38 SQUARE INCHES OF SPACE
- 6 INCH ROUND DUCT = 28 SQUARE INCHES OF SPACE
- 4 INCH ROUND DUCT = 13 SQUARE INCHES OF SPACE



SMOOTH WALLED DUCT

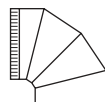


FLEXIBLE DUCT



WALL LOUVER

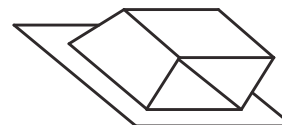
- 6" ROUND VP526
- 8" ROUND VP528
- 10" ROUND VP554
- 12" ROUND VP555



SMOOTH GRADUAL TURN



SHARP ANGLED TURN



ROOF JACK

- 6" ROUND VP539-HP
- 8" ROUND VP541-HP
- 10" ROUND VP552-HP
- 12" ROUND VP553-HP



PROPER COMBINING OF TWO DUCTS



IMPROPER COMBINING OF TWO DUCTS

*INCLUDES GRAVITY DAMPER - USING OTHER LIKE PRODUCTS MAY JEOPARDIZE PERFORMANCE

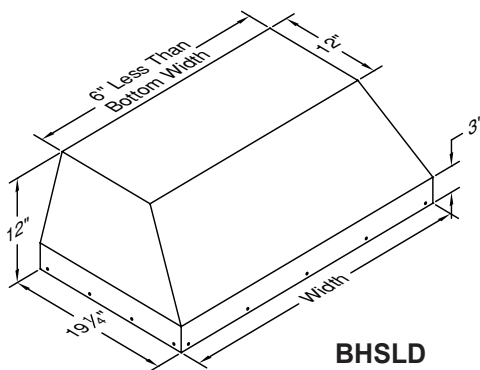
All items on pages pages 11-30 are in stock and available for quick shipment from the Pinnacle Express warehouse.

Stock Item List - Liner Inserts

BHSLD Wall Mount Liner Inserts - 19 1/4" Deep and 12" Tall



See Page 65



Model	Width	Color	CFM	Duct	Retail
BH128SLD-BL	28 3/8"	Black	300	6"	\$ 882
BH128SLD-GS	28 3/8"	Gunsmoke	300	6"	\$ 882
BH128SLD-SS	28 3/8"	SS	300	6"	\$ 1,166
BH134SLD-BL	34 3/8"	Black	300	6"	\$ 882
BH134SLD-GS	34 3/8"	Gunsmoke	300	6"	\$ 882
BH134SLD-SS	34 3/8"	SS	300	6"	\$ 1,166
BH140SLD-GS	40 3/8"	Gunsmoke	300	6"	\$ 993
BH140SLD-SS	40 3/8"	SS	300	6"	\$ 1,276
BH228SLD-BL	28 3/8"	Black	600	8"	\$ 1,255
BH228SLD-GS	28 3/8"	Gunsmoke	600	8"	\$ 1,255
BH228SLD-SS	28 3/8"	SS	600	8"	\$ 1,574
BH234SLD-BL	34 3/8"	Black	600	8"	\$ 1,255
BH234SLD-GS	34 3/8"	Gunsmoke	600	8"	\$ 1,255
BH234SLD-SS	34 3/8"	SS	600	8"	\$ 1,574
BH240SLD-SS	40 3/8"	SS	600	8"	\$ 1,684
BH246SLD-GS	46 3/8"	Gunsmoke	600	8"	\$ 1,458
BH246SLD-SS	46 3/8"	SS	600	8"	\$ 1,816
BH346SLD-SS*	46 3/8"	SS	900	6" & 8"	\$ 2,306

*Use VP562 transition (optional) on 900 CFM model to combine outlets into a single 10" duct

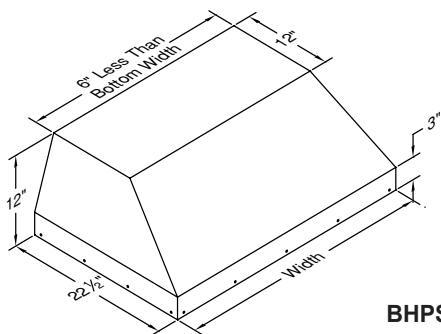
Stock Item List - Liner Inserts

BHPSLD Wall Mount Liner Inserts - 22 1/2" Deep and 12" Tall



See Page 65

Model	Width	Color	CFM	Duct	Retail
BH228PSLD-SS	28 3/8"	SS	600	8"	\$ 1,591
BH234PSLD-BL	34 3/8"	Black	600	8"	\$ 1,292
BH234PSLD-GS	34 3/8"	Gunsmoke	600	8"	\$ 1,292
BH234PSLD-SS	34 3/8"	SS	600	8"	\$ 1,591
BH240PSLD-SS	40 3/8"	SS	600	8"	\$ 1,705
BH246PSLD-BL	46 3/8"	Black	600	8"	\$ 1,541
BH246PSLD-SS	46 3/8"	SS	600	8"	\$ 1,853
BH346PSLD-BL*	46 3/8"	Black	900	6" & 8"	\$ 1,938
BH346PSLD-SS*	46 3/8"	SS	900	6" & 8"	\$ 2,343
BH352PSLD-SS*	52 3/8"	SS	900	6" & 8"	\$ 2,792
BH358PSLD-SS*	58 3/8"	SS	900	6" & 8"	\$ 3,271
BH452PSLD-SS**	52 3/8"	SS	1200	8" & 8"	\$ 3,200
BH458PSLD-SS**	58 3/8"	SS	1200	8" & 8"	\$ 3,680
BH464PSLD-SS**	64 3/8"	SS	1200	8" & 8"	\$ 3,897

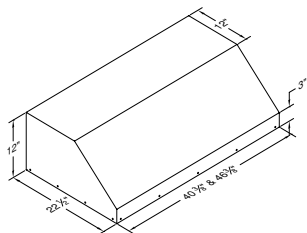


Trim Kits:

Model	Description	Price
TK34SLD-SS	Trim Kit - BH134SLD-SS / BH234SLD-SS	\$ 24
TK46PSLD-SS	Trim Kit - BH246PSLD-SS	\$ 24
TK46SLD-SS	Trim Kit - BH346SLD-SS	\$ 24

BHPSLD

BHPSLB Wall Mount Liner Inserts - 22 1/2" Deep and 12" Tall



See Page 65

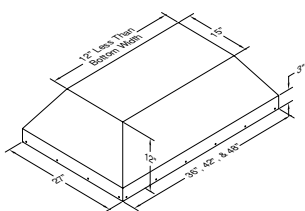
Model	Width	Color	CFM	Duct	Retail
BH340PSLB-SS*	40 3/8"	SS	900	6" & 8"	\$ 2,338
BH446PSLB-SS**	46 3/8"	SS	1200	8" & 8"	\$ 2,864

*Use VP562 transition (optional) on 900 CFM model to combine outlets into a single 10" duct

**Use VP563 transition (optional) on 1200 CFM model to combine outlets into a single 12" duct

Stock Item List - Liner Inserts and Under Cabinet Hoods

THSLE Island Liner Insert - 27" Deep and 12" Tall



See Page 67

Model	Width	Color	CFM	Duct	Retail
TH236SLE-SS*	36"	SS	550	8"	\$ 2,749
TH242SLE-SS*	42"	SS	550	8"	\$ 2,827
TH448PSLE-SS**	48"	SS	1100	8" & 8"	\$ 4,963

*VP565 Transition to 8" Round Included

**VP564 Transition to 12" Round Included

PRH9 Under Cabinet Range Hood - 21" Deep and 9" Tall



See Page 44

Model	Width	Color	CFM	Duct	Retail
PRH9-130-SS	30"	SS	300	6"	\$ 1,091
PRH9-130-WH	30"	White	300	6"	\$ 860
PRH9-136-BL	36"	Black	300	6"	\$ 860
PRH9-136-SS	36"	SS	300	6"	\$ 1,091
PRH9-230-SS	30"	SS	600	8"	\$ 1,500
PRH9-236-SS	36"	SS	600	8"	\$ 1,500
PRH9-242-SS	42"	SS	600	8"	\$ 1,664
PRH9-248-SS	48"	SS	600	8"	\$ 1,715

NPH9 Under Cabinet Range Hood - 21" Deep and 9" Tall



See Page 44

Model	Width	Color	CFM	Duct	Retail
NPH9-130-SS	30"	SS	300	6"	\$ 1,376
NPH9-136-SS	36"	SS	300	6"	\$ 1,376
NPH9-230-SS	30"	SS	600	8"	\$ 1,784
NPH9-236-SS	36"	SS	600	8"	\$ 1,784

SLH9 Under Cabinet Range Hood - 21" Deep and 9" Tall



See Page 44

Model	Width	Color	CFM	Duct	Retail
SLH9-130-SS	30"	SS	300	6"	\$ 1,376
SLH9-136-BL	36"	Black	300	6"	\$ 1,043
SLH9-230-SS	30"	SS	600	8"	\$ 1,784
SLH9-236-SS	36"	SS	600	8"	\$ 1,784

In-Stock Items - Designer Series Hoods

Madison - 24" Deep and 30" Tall



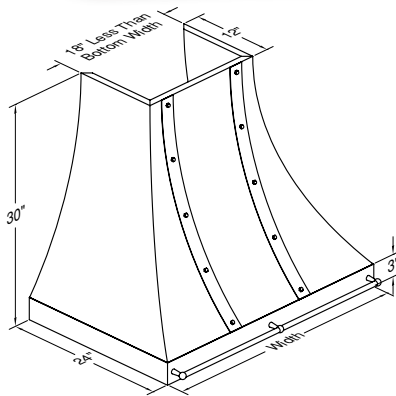
JDH/C2 Model	Width	CFM	Duct	Retail
JDH136/C2-SS/AS	36"	300	6"	\$ 5,262
JDH236/C2-SS/AS	36"	600	8"	\$ 5,670
JDH242/C2-SS/AS	42"	600	8"	\$ 6,069
JDH348/C2-SS/AS	48"	900	6" & 8"	\$ 6,865

Hood comes in stainless steel finish with mirrored stainless steel lip treatment on all sides, (2) 2" vertical bands in mirrored stainless steel attached with 1/2" hex nuts, and a chrome pot rail on the front of the hood.

THE VP562 IS INCLUDED ON 900 CFM MODELS TO COMBINE OUTLETS INTO A SINGLE 10" DUCT.

Duct Covers:

Model	Width	Height	CLG.	Retail
WDCRND-18/12-MSS/JDH/C2/AS	18"	12"	9'	\$ 930
WDCRND-18/24-MSS/JDH/C2/AS	18"	24"	10'	\$ 1,097
WDCRND-24/12-MSS/JDH/C2/AS	24"	12"	9'	\$ 982
WDCRND-24/24-MSS/JDH/C2/AS	24"	24"	10'	\$ 1,212
WDCRND-30/12-MSS/JDH/C2/AS	30"	12"	9'	\$ 1,020
WDCRND-30/24-MSS/JDH/C2/AS	30"	24"	10'	\$ 1,290



See Page 35

WDCRND - Duct Cover Kit includes WDCRND Duct cover with (2) 2" vertical bands in mirrored Stainless Steel attached with 1/2" hex nuts.

***Duct cover comes with matching bands that must be installed on site.**

Isabella - 24" Deep and 30" Tall



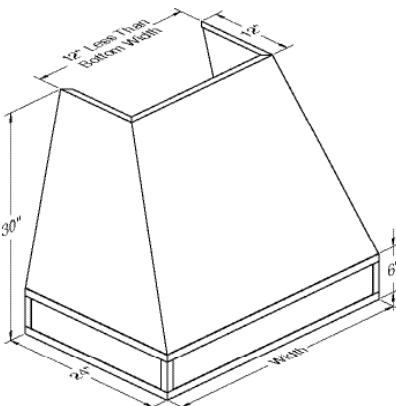
JPH/C1 Model	Width	CFM	Duct	Retail
JPH236/C1-WH/AS	36"	600	8"	\$ 5,581
JPH348/C1-WH/AS	48"	900	6" & 8"	\$ 6,558

Hood comes in a white finish with mirrored stainless steel lip treatment on all sides at top and bottom, (2) 1" corner band and (2) 1" back bands in mirrored stainless steel on lip.

USE VP562 (OPTIONAL) ON 900 CFM MODELS TO COMBINE OUTLETS INTO A SINGLE 10" DUCT, LISTED ON PAGE 24.

Duct Covers:

Model	Width	Height	CLG.	Retail
WDCRND-24/12-WH	24"	12"	9'	\$ 552
WDCRND-24/24-WH	24"	24"	10'	\$ 693
WDCRND-36/12-WH	36"	12"	9'	\$ 604
WDCRND-36/24-WH	36"	24"	10'	\$ 809

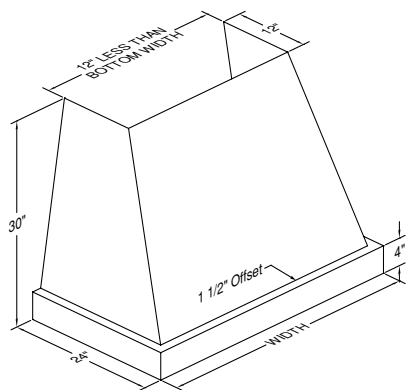


See Page 36

STOCK ITEM LIST

In-Stock Items - Designer Series Hoods

Phantom - 24" Deep and 30" Tall



See Page 36

JPH/C2 Model	Width	CFM	Duct	Retail
JPH236/C2-BC/AS	36"	600	8"	\$ 4,301
JPH348/C2-BC/AS	48"	900	6" & 8"	\$ 5,207

Hood comes in a black carbide finish with a stainless steel lip treatment on all sides.

USE VP562 (OPTIONAL) ON 900 CFM MODELS TO COMBINE OUTLETS INTO A SINGLE 10" DUCT, LISTED ON PAGE 24.

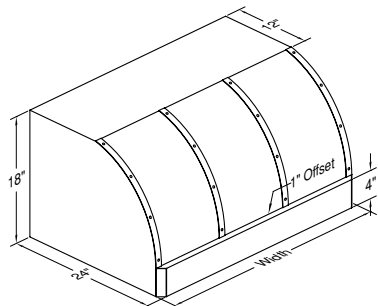
Duct Covers:

Model	Width	Height	CLG.	Retail
WDCRND-24/12-BC	24"	12"	9'	\$ 815
WDCRND-24/24-BC	24"	24"	10'	\$ 956
WDCRND-36/12-BC	36"	12"	9'	\$ 867
WDCRND-36/24-BC	36"	24"	10'	\$ 1,072

Napa - 24" Deep and 18" Tall



*Picture shown without rivets.



See Page 47

XRH18 Model	Width	CFM	Duct	Retail
XRH18-236-SS/AS	36"	600	8"	\$ 3,448
XRH18-348-SS/AS	48"	900	6" & 8"	\$ 4,207

Hood comes in stainless steel finish with (4) 1" vertical bands in mirrored stainless steel attached with 1/4" rivets and mirrored stainless steel on clips.

USE VP562 (OPTIONAL) ON 900 CFM MODELS TO COMBINE OUTLETS INTO A SINGLE 10" DUCT, LISTED ON PAGE 24.

Duct Covers*:

Model	Width	Height	CLG.	Retail
WDCRND-36-SS	36"	12"	8'	\$ 718
WDCRND-36/24-SS	36"	24"	9'	\$ 1,053
WDCRND-48-SS	48"	12"	8'	\$ 834
WDCRND-48/24-SS	48"	24"	9'	\$ 1,271
WDCRND-48/36-SS	48"	36"	10'	\$ 1,708

*Duct covers listed on this page come in stainless steel finish without bands

STOCK ITEM LIST

Stock Item List - Wall-Mount Hoods

Charleston - 24" Deep and 30" Tall

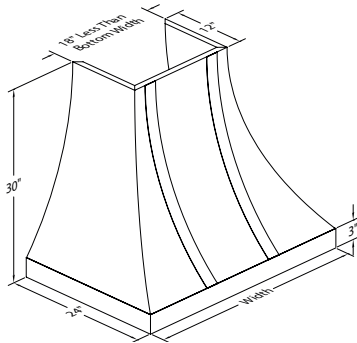


Model	Width	Color	CFM	Duct	Retail
JDH236/C2-SS/AS-SB	36"	SS	600	8"	\$5,596
JDH348/C2-SS/AS-SB	48"	SS	800	6" & 8"	\$6,680

Hood comes in stainless steel finish with satin brass lip treatment on all sides, and (2) 2" vertical bands in satin brass attached with laminate.

THE VP562 IS INCLUDED ON 900 CFM MODELS TO COMBINE OUTLETS INTO A SINGLE 10" DUCT.

See Page 35



Duct Covers:

Model	Width	Height	CLG.	Retail
WDCRND-18/12/JDH/C2/AS-SB	18"	12"	9'	\$ 930
WDCRND-18/24/JDH/C2/AS-SB	18"	24"	10'	\$ 1,097
WDCRND-30/12/JDH/C2/AS-SB	30"	12"	9'	\$ 1,020
WDCRND-30/24/JDH/C2/AS-SB	30"	24"	10'	\$ 1,290

WDCRND - Duct Cover Kit includes WDCRND Duct cover with (2) 2" vertical bands in Satin Brass attached with laminate.

*Duct cover comes with matching bands that must be installed on site.

Manhattan - 24" Deep and 30" Tall

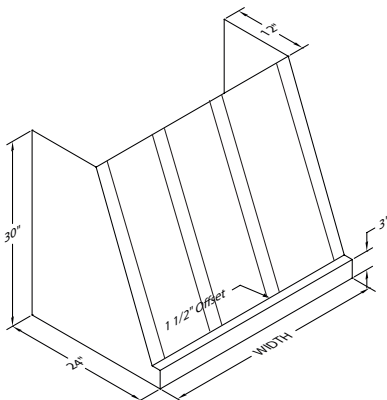


Model	Width	Color	CFM	Duct	Retail
PWVH30-236-SS/AS-MSS	36"	SS	600	8"	\$ 4,920
PWVH30-348-SS/AS-MSS	48"	SS	900	6" & 8"	\$ 6,063

Hood comes in stainless steel finish with mirrored stainless steel lip treatment on front only, lip has 1 1/2" offset, (4) 2" vertical bands in mirrored stainless steel attached with laminate.

THE VP562 IS INCLUDED ON 900 CFM MODELS TO COMBINE OUTLETS INTO A SINGLE 10" DUCT.

See Page 49



Duct Covers:

Model	Width	Height	CLG.	Retail
WDCRND-36/12-PWVH30-SS/AS-MSS	36"	12"	9'	\$ 1,422
WDCRND-36/24-PWVH30-SS/AS-MSS	36"	24"	10'	\$ 1,757
WDCRND-48/12-PWVH30-SS/AS-MSS	48"	12"	9'	\$ 1,539
WDCRND-48/24-PWVH30-SS/AS-MSS	48"	24"	10'	\$ 1,976

WDCRND - Duct Cover Kit includes WDCRND Duct cover with (4) 2" vertical bands in mirrored Stainless Steel attached with laminate.

*Duct cover comes with matching bands that must be installed on site.

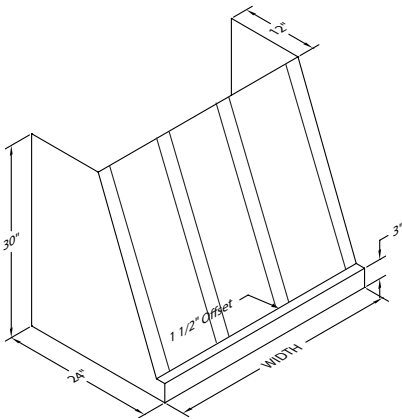
STOCK ITEM LIST

Stock Item List - Wall-Mount Hoods

Augustine - 24" Deep and 30" Tall



See Page 49



Model	Width	Color	CFM	Duct	Retail
PWVH30-236-SS/AS-SB	36"	SS	600	8"	\$ 5,183
PWVH30-348-SS/AS-SB	48"	SS	900	6" & 8"	\$ 6,325

Hood comes in stainless steel finish with satin brass lip treatment on front only, lip has 1 1/2" offset, (4) 2" vertical bands in satin brass attached with laminate.

Duct Covers:

Model	Width	Height	CLG.	Retail
WDCRND-36/12-PWVH30-SS/SB	36"	12"	9'	\$ 1,422
WDCRND-36/24-PWVH30-SS/SB	36"	24"	10'	\$ 1,757
WDCRND-48/12-PWVH30-SS/SB	48"	12"	9'	\$ 1,539
WDCRND-48/24-PWVH30-SS/SB	48"	24"	10'	\$ 1,976

WDCRND - Duct Cover Kit includes WDCRND Duct cover with (4) 2" vertical bands in Satin Brass attached with laminate.

*Duct cover comes with matching bands that must be installed on site.

Stock Item List - Wall-Mount Hoods

CWLH9 Contemporary Wall Mount - 21" Deep and 9" Tall



See Page 53

Model	Width	Color	CFM	Duct	Retail
CWLH9-236-SS	36"	SS	600	8"	\$ 2,722
CWLH9-242-SS	42"	SS	600	8"	\$ 2,986
CWLH9-248-SS	48"	SS	600	8"	\$ 3,089
CWLH9-354-SS*	54"	SS	900	6" & 8"	\$ 4,359

CWEH9 Contemporary Wall Mount - 21" Deep and 9" Tall



See Page 53

Model	Width	Color	CFM	Duct	Retail
CWEH9-236-SS	36"	SS	600	8"	\$ 2,801
CWEH9-248-SS	48"	SS	600	8"	\$ 3,108

Duct Covers with Removable Panel:

Model	Dimensions	Ceiling Height	Retail
WDCRND-12/24-SS	12"W X 12"D X 24"H	8'	\$ 616
WDCRND-12/36-SS	12"W X 12"D X 36"H	9'	\$ 718

ZTH Contemporary Wall Mount - 24" Deep and 14 3/8" Tall



See Page 56

Model	Width	Color	CFM	Duct	Retail
ZTH-248-SS	48"	SS	600	8"	\$ 3,951

Duct Covers:

Model	Dimensions	Ceiling Height	Retail
WZDC-12/21-SS	12"W X 12"D X 24"H	8'	\$ 566

PRH18 Wall Mount Range Hood - 24" Deep and 18" Tall



See Page 46

Model	Width	Color	CFM	Duct	Retail
PRH18-130-SS	30"	SS	300	6"	\$ 1,724
PRH18-136-SS	36"	SS	300	6"	\$ 1,748
PRH18-230-SS	30"	SS	600	8"	\$ 2,133
PRH18-236-SS	36"	SS	600	8"	\$ 2,156
PRH18-242-SS	42"	SS	600	8"	\$ 2,314
PRH18-248-SS	48"	SS	600	8"	\$ 2,426
PRH18-342-SS*	42"	SS	900	6" & 8"	\$ 2,804
PRH18-348-SS*	48"	SS	900	6" & 8"	\$ 2,916
PRH18-448-SS**	48"	SS	1200	8" & 8"	\$ 3,324

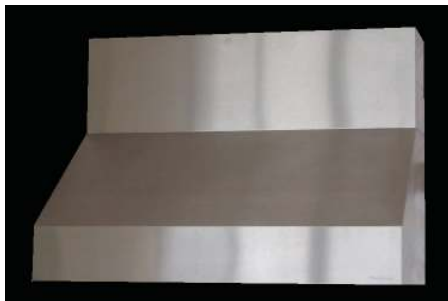
See Duct Cover Options on Page 20

*Use VP562 transition (optional) on 900 CFM model to combine outlets into a single 10" duct
 **Use VP563 transition (optional) on 1200 CFM model to combine outlets into a single 12" duct

STOCK ITEM LIST

Stock Item List - Wall-Mount Hoods

PRXH18 Wall Mount Range Hood - 27" Deep and 18" Tall



See Page 46

Model	Width	Color	CFM	Duct	Retail
PRXH18-230-SS	30"	SS	600	8"	\$ 2,133
PRXH18-236-SS	36"	SS	600	8"	\$ 2,156
PRXH18-242-SS	42"	SS	600	8"	\$ 2,314
PRXH18-342-SS*	42"	SS	900	6" & 8"	\$ 2,804
PRXH18-348-SS*	48"	SS	900	6" & 8"	\$ 2,916
PRXH18-448-SS**	48"	SS	1200	8" & 8"	\$ 3,324
PRXH18-454-SS**	54"	SS	1200	8" & 8"	\$ 3,829
PRXH18-460-SS**	60"	SS	1200	8" & 8"	\$ 4,116
PRXH18-466-SS**	66"	SS	1200	8" & 8"	\$ 4,202

See Duct Cover Options on Next Page

NPH18 Wall Mount Range Hood - 24" Deep and 18" Tall



See Page 46

Model	Width	Color	CFM	Duct	Retail
NPH18-236-SS	36"	SS	600	8"	\$ 2,629
NPH18-348-SS*	48"	SS	900	6" & 8"	\$ 3,387

See Duct Cover Options on Next Page

SLH18 Wall Mount Range Hood - 24" Deep and 18" Tall



See Page 46

Model	Width	Color	CFM	Duct	Retail
SLH18-236-SS	36"	SS	600	8"	\$ 2,629

See Duct Cover Options on Next Page

*Use VP562 transition (optional) on 900 CFM model to combine outlets into a single 10" duct
 **Use VP563 transition (optional) on 1200 CFM model to combine outlets into a single 12" duct

Stock Item List - Wall-Mount Hoods

XRH18 Wall Mount Range Hood - 24" Deep and 18" Tall



Model	Width	Color	CFM	Duct	Retail
XRH18-136-SS	36"	SS	300	6"	\$ 2,220
XRH18-236-SS	36"	SS	600	8"	\$ 2,629

See Duct Cover Options Below
 XDC Duct Covers with matching SS bands are available, but are not stock items - see page 48

See Page 47

Duct Covers for PRH18, PRXH18, NPH18 and SLH18

WDCRND duct covers with removable front panel for easy installation.
 Confirm the proper size duct cover needed by measuring the top width and depth of the hood and the height needed.

Model	Dimensions	Ceiling Height	Retail
WDCRND-30-SS	30"W X 12"D X 12"H	8'	\$ 668
WDCRND-30/24-SS	30"Wx12"Dx24"H	9'	\$ 938
WDCRND-36-SS	36"W X 12"D X 12"H	8'	\$ 718
WDCRND-36/24-SS	36"W X 12"D X 24"H	9'	\$ 1,053
WDCRND-42-SS	42"W X 12"D X 12"H	8'	\$ 783
WDCRND-42/24-SS	42"W X 12"D X 24"H	9'	\$ 1,169
WDCRND-42/36-SS	42"W X 12"D X 36"H	10'	\$ 1,554
WDCRND-48-SS	48"W X 12"D X 12"H	8'	\$ 835
WDCRND-48/24-SS	48"W X 12"D X 24"H	9'	\$ 1,272
WDCRND-48/36-SS	48"W X 12"D X 36"H	10'	\$ 1,708

Duct Covers for XRH18

WDCRND duct covers with removable front panel for easy installation.
 Confirm the proper size duct cover needed by measuring the top width and depth of the hood and the height needed.

Model	Dimensions	Ceiling Height	Retail
XDCRND-30-SS	30"W X 12"D X 12"H	8'	\$ 668
XDCRND-30/24-SS	30"Wx12"Dx24"H	9'	\$ 938
XDCRND-36-SS	36"W X 12"D X 12"H	8'	\$ 718
XDCRND-36/24-SS	36"W X 12"D X 24"H	9'	\$ 1,053
XDCRND-42-SS	42"W X 12"D X 12"H	8'	\$ 783
XDCRND-42/24-SS	42"W X 12"D X 24"H	9'	\$ 1,169
XDCRND-42/36-SS	42"W X 12"D X 36"H	10'	\$ 1,554
XDCRND-48-SS	48"W X 12"D X 12"H	8'	\$ 835
XDCRND-48/24-SS	48"W X 12"D X 24"H	9'	\$ 1,272
XDCRND-48/36-SS	48"W X 12"D X 36"H	10'	\$ 1,708

STOCK ITEM LIST

Stock Item List - Euro-Style Hoods

PDH14 Euro-Style Wall Mount Range Hood - 24" Deep and 14" Tall



See Page 57

Model	Width	Color	CFM	Duct	Retail
PDH14-130-SS	30"	SS	300	6"	\$ 2,221
PDH14-136-SS	36"	SS	300	6"	\$ 2,259
PDH14-236-SS	36"	SS	600	8"	\$ 2,668
PDH14-242-SS	42"	SS	600	8"	\$ 2,852

Duct Covers with Removable Panel:

Model	Dimensions	Ceiling Height	Retail
WDCRND-10/10-SS	10"W X 10"D X 10"H	7'	\$ 475
WDCRND-10/22-SS	10"W X 10"D X 22"H	8'	\$ 566
WDCRND-10/34-SS	10"W X 10"D X 34"H	9'	\$ 656

EPH18 Euro-Style Wall Mount Range Hood - 24" Deep and 18" Tall



See Page 58

Model	Width	Color	CFM	Duct	Retail
EPH18-236-SS	36"	SS	600	8"	\$ 3,127
EPH18-242-SS	42"	SS	600	8"	\$ 3,307
EPH18-248-SS	48"	SS	600	8"	\$ 3,500

See Duct Cover Options on Next Page

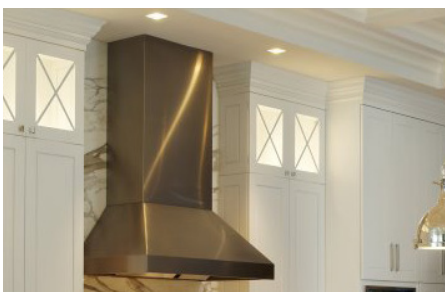
EPXH18 Euro-Style Wall Mount Range Hood - 27" Deep and 18" Tall

Model	Width	Color	CFM	Duct	Retail
EPXH18-236-SS	36"	SS	600	8"	\$ 3,127

See Page 58

See Duct Cover Options on Next Page

EPTH18 Euro-Style Wall Mount Range Hood - 24" Deep and 18" Tall



See Page 58

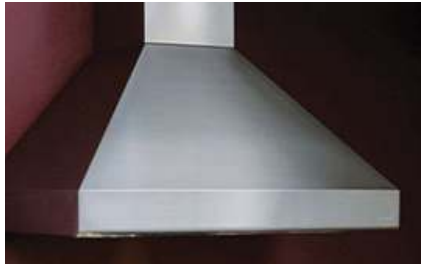
Model	Width	Color	CFM	Duct	\$ Retail
EPTH18-348-SS*	48"	SS	900	6" & 8"	\$ 4,640

*VP562 transition included in hood

See Duct Cover Options on Page 70.

Stock Item List - Euro-Style Hood

NEPH18 Euro-Style Wall Mount Range Hood - 24" Deep and 18" Tall

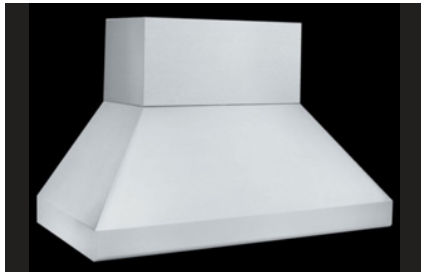


Model	Width	Color	CFM	Duct	Retail
NEPH18-236-SS	36"	SS	600	8"	\$ 3,427

[See Duct Cover Options Below](#)

See Page 58

NEPTH18 Euro-Style Wall Mount Range Hood - 24" Deep and 18" Tall



Model	Width	Color	CFM	Duct	Retail
NEPTH18-348-SS*	48"	SS	900	6" & 8"	\$ 4,998

*VP562 transition included in hood

[See Duct Cover Options on Page 58](#)

See Page 58

NEPXH18 Euro-Style Wall Mount Range Hood - 27" Deep and 18" Tall



Model	Width	Color	CFM	Duct	Retail
NEPXH18-236-SS	36"	SS	600	8"	\$ 3,427

[See Duct Cover Options Below](#)

See Page 58

SEPH18 Euro-Style Wall Mount Range Hood - 24" Deep and 18" Tall



Model	Width	Color	CFM	Duct	Retail
SEPH18-236-SS	36"	SS	600	8"	\$ 3,499

[See Duct Cover Options Below](#)

See Page 59

Duct Covers for EPH18, EPXH18, NEPH18, NEPTH18, NEPXH18, and SEPH18

WDCRND duct covers with removable front panel for easy installation.

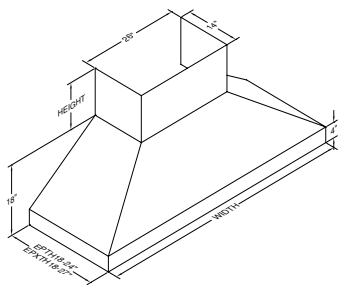
Confirm the proper size duct cover needed by measuring the top width and depth of the hood and the height needed.

Model	Dimensions	Ceiling Height	Retail
WDCRND-12/12-SS	12"W X 12"D X 12"H	8'	\$ 501
WDCRND-12/24-SS	12"W X 12"D X 24"H	9'	\$ 616
WDCRND-12/36-SS	12"W X 12"D X 36"H	10'	\$ 718

STOCK ITEM LIST

Stock Item List - Euro-Style Hoods

EPXTH18 Euro-Style Wall Mount Range Hood - 27" Deep and 18" Tall



See Page 58

Model	Width	Color	CFM	Duct	Retail
EPXTH18-342-SS*	42"	SS	900	6" & 8"	\$ 4,547
EPXTH18-348-SS*	48"	SS	900	6" & 8"	\$ 4,640

*VP562 transition included in hood

Duct Covers: For EPTH18, EPXTH18, NEPTH18

Model	Dimensions	Ceiling Height	Retail
WDCRND-26/12-SS	26"W X 14"D X 12"H	8'	\$ 630
WDCRND-26/24-SS	26"W X 14"D X 24"H	9'	\$ 873
WDCRND-26/36-SS	26"W X 14"D X 36"H	10'	\$ 1,104

PYDH18 Euro-Style Island Range Hood - 27" Deep and 18" Tall



See Page 62

Model	Width	Color	CFM	Duct	Retail
PYDH18-236-SS*	36"	SS	550	8"	\$ 4,263

*VP565 transition included separately

Duct Covers:

Model	Dimensions	Ceiling Height	Retail
IDCRND-12/12-SS	12"W X 12"D X 12"H	8'	\$ 513
IDCRND-12/24-SS	12"W X 12"D X 24"H	9'	\$ 630
IDCRND-12/36-SS	12"W X 12"D X 36"H	10'	\$ 758

*VP565 transition included separately

EPIH18 Euro-Style Island Range Hood - 30" Deep and 18" Tall



See Page 62

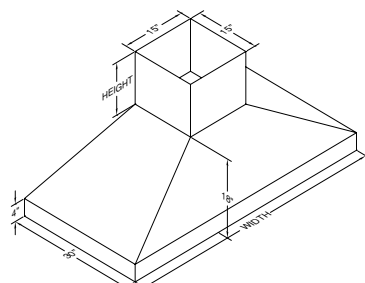
Model	Width	Color	CFM	Duct	Retail
EPIH18-236-SS*	36"	SS	550	8"	\$ 4,263
EPIH18-242-SS*	42"	SS	550	8"	\$ 4,418

*VP565 transition included separately

Duct Covers:

Model	Dimensions	Ceiling Height	Retail
IDCRND-12/12-SS	12"W X 12"D X 12"H	8'	\$ 513
IDCRND-12/24-SS	12"W X 12"D X 24"H	9'	\$ 630
IDCRND-12/36-SS	12"W X 12"D X 36"H	10'	\$ 758

EPITH18 Euro-Style Island Range Hood - 30" Deep and 18" Tall



See Page 63

Model	Width	Color	CFM	Duct	Retail
EPITH18-448-SS	48"	SS	1100	12"	\$ 5,694
EPITH18-454-SS	54"	SS	1100	12"	\$ 6,200

*VP564 transition to 12" included

Duct Covers:

Model	Dimensions	Ceiling Height	Retail
IDCRND-15/24-SS	15"W X 15"D X 24"H	9'	\$ 694
IDCRND-15/36-SS	15"W X 15"D X 36"H	10'	\$ 848

Stock Item List - Outdoor Hoods and Accessories

PRH18 Wall Mount Range Outdoor Hood - 30" and 33" Deep and 18" Tall



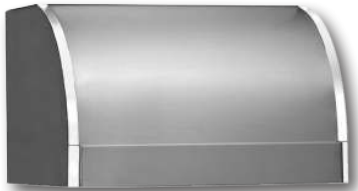
See Page 77

Model	Depth	Width	Color	CFM	Duct	Retail
PRH18-342-30-SS*	30"	42"	SS	900	6" & 8"	\$ 3,414
PRH18-342-33-SS*	33"	42"	SS	900	6" & 8"	\$ 3,627
PRH18-448-30-SS**	30"	48"	SS	1200	8" & 8"	\$ 3,965
PRH18-448-33-SS**	33"	48"	SS	1200	8" & 8"	\$ 4,208
PRH18-454-33-SS**	33"	54"	SS	1200	8" & 8"	\$ 4,773

See Duct Cover Options on Page 25

*Use VP562 transition (optional) on 900 CFM model to combine outlets into a single 10" duct
 **Use VP563 transition (optional) on 1200 CFM model to combine outlets into a single 12" duct

XRH18 Wall Mount Range Hood - 33" Deep and 18" Tall



See Page 47

Model	Width	Color	CFM	Duct	Retail
XRH18-342-33-MSS*	42"	SS	900	6" & 8"	\$ 4,112

See Duct Cover Options on Page 25

*Use VP562 transition (optional) on 900 CFM model to combine outlets into a single 10" duct

STOCK ITEM LIST

Stock Item List - Outdoor Hoods and Accessories

PRXH18 Wall Mount Range Hood - 27" Deep and 18" Tall



See Page 46

Model	Width	Color	CFM	Duct	Retail
PRXH18-230-SS*	30"	SS	600	8"	\$ 2,133
PRXH18-236-SS*	36"	SS	600	8"	\$ 2,156
PRXH18-342-SS*	42"	SS	900	6" & 8"	\$ 2,804
PRXH18-348-SS*	48"	SS	900	6" & 8"	\$ 2,916
PRXH18-448-SS**	48"	SS	1200	8" & 8"	\$ 3,324
PRXH18-454-SS**	54"	SS	1200	8" & 8"	\$ 3,829
PRXH18-460-SS**	60"	SS	1200	8" & 8"	\$ 4,116
PRXH18-466-SS**	66"	SS	1200	8" & 8"	\$ 4,202

Order with BBQ Extension Kit for Outdoor Use:



BBQ Extension adds 6" to depth of the hood

Extension Kit (6" Deep)	Width	Price
BBE-M30-SS	30"	\$ 463
BBE-M36-SS	36"	\$ 544
BBE-M42-SS	42"	\$ 596
BBE-M48-SS	48"	\$ 637
BBE-M54-SS	54"	\$ 683
BBE-M60-SS	60"	\$ 730

*Use VP562 transition (optional) on 900 CFM model to combine outlets into a single 10" duct
 **Use VP563 transition (optional) on 1200 CFM model to combine outlets into a single 12" duct

Duct Covers for use with BBQ Extension Kits Only

WDCRND duct covers with removable front panel for easy installation.
 Confirm the proper size duct cover needed by measuring the top width and depth of the hood and the height needed.

Extension Kit	Width	Depth	Only for Use With	Height	Price	CLG
WDCRND-36/18/12-SS	36"	18"	BBE-M36	12"	\$898	8'
WDCRND-42/18/12-SS	42"	18"	BBE-M42	12"	\$982	8'
WDCRND-42/18/24-SS	42"	18"	BBE-M42	24"	\$1,176	9'
WDCRND-42/18/36-SS	42"	18"	BBE-M42	36"	\$1,566	10'
WDCRND-48/18/12-SS	48"	18"	BBE-M48	12"	\$1,065	8'
WDCRND-48/18/24-SS	48"	18"	BBE-M48	24"	\$1,288	9'
WDCRND-48/18/36-SS	48"	18"	BBE-M48	36"	\$1,732	10'
WDCRND-54/18/12-SS	54"	18"	BBE-M54	12"	\$1,148	8'

Duct Covers for PRXH18, PRH18 and XRH18 without BBQ Extension Kit

Model	Dimensions	Retail
WDCRND-36-SS	36"W X 12"D X 12"H	\$ 718
WDCRND-42-SS	42"W X 12"D X 12"H	\$ 783
WDCRND-42/24-SS	42"W X 12"D X 24"H	\$ 1,169
WDCRND-42/36-SS	42"W X 12"D X 36"H	\$ 1,554
WDCRND-48-SS	48"W X 12"D X 12"H	\$ 835
WDCRND-48/24-SS	48"W X 12"D X 24"H	\$ 1,272
WDCRND-48/36-SS	48"W X 12"D X 36"H	\$ 1,708

PRH18-M M-Series Wall Mount Range Hood - 30" Deep and 18" Tall



See Page 77

Model	Width	Color	# Filters	Retail
PRH18-M36-30-SS	36"	SS	2	\$ 1,895
PRH18-M42-30-SS	42"	SS	2	\$ 2,085
PRH18-M48-30-SS	48"	SS	3	\$ 2,227
PRH18-M54-30-SS	54"	SS	3	\$ 2,624

- Price Excludes M1200 Blower and VP566 Transition
 See Duct Cover Options On Next Page

STOCK ITEM LIST

Stock Item List - Outdoor Hoods and Accessories

PRXH18-M M-Series Wall Mount Range Hood - 27" Deep and 18" Tall



See Page 77

Model	Width	Color	# Filters	Retail
PRXH18-M30-SS	30"	SS	2	\$ 1,260
PRXH18-M36-SS	36"	SS	2	\$ 1,282
PRXH18-M42-SS	42"	SS	2	\$ 1,386
PRXH18-M48-SS	48"	SS	3	\$ 1,462
PRXH18-M54-SS	54"	SS	3	\$ 1,788
PRXH18-M60-SS	60"	SS	4	\$ 1,941

- Price Excludes M1200 Blower and VP566 Transition

Order with BBQ Extension Kit for Outdoor Use:



Extension Kit (6" Deep)	Width	Price
BBE-M30-SS	30"	\$ 463
BBE-M36-SS	36"	\$ 544
BBE-M42-SS	42"	\$ 596
BBE-M48-SS	48"	\$ 637
BBE-M54-SS	54"	\$ 683
BBE-M60-SS	60"	\$ 730

Blower Options for M-Series



M600



M1200

BLOWER OPTIONS

Model	CFM	AMPS	Duct	Retail
M600	630	5.0	6"	\$ 442
M1200*	1035	10.0	10"	\$ 850

*VP566 Transition Included

Duct Covers for PRH18-M and PRXH18-M without BBQ Extension Kit

Model	Dimensions	Ceiling Height	Retail
WDCM-36 SS	36"W X 12"D X 12"H	8'	\$ 531
WDCM-36/24 SS	36"W X 12"D X 24"H	9'	\$ 775
WDCM-36/36 SS	36"W X 12"D X 36"H	10'	\$ 1,018
WDCM-42 SS	42"W X 12"D X 12"H	8'	\$ 573
WDCM-42/24 SS	42"W X 12"D X 24"H	9'	\$ 857
WDCM-42/36 SS	42"W X 12"D X 36"H	10'	\$ 1,141
WDCM-48 SS	48"W X 12"D X 12"H	8'	\$ 612
WDCM-48/24 SS	48"W X 12"D X 24"H	9'	\$ 938
WDCM-48/36 SS	48"W X 12"D X 36"H	10'	\$ 1,262

MPSLD M-Series Wall Mount Liner Inserts - 22 1/2" Deep and 12 1/2" Tall

Model	Width	Color	# Filters	Retail
M40PSLD-SS	40 3/8"	SS	2	\$ 737
M46PSLD-SS	46 3/8"	SS	3	\$ 914

See Page 78

- Price Excludes M1200 Blower and VP566 Transition (see above)

Stock Item List - V-Line

V-Line Features:

- 250 CFM (375 Equivalent)
- Back Vent or Top Vent
- Efficient Open Canopy Design
- Easy cleaning
- LED Lighting with Dimming
- 50 watt halogen lights feature a dual switch for dimming to 25 watts
- Equipped with the Sensasource® heat sensor
- One year warranty
- Designed for light to moderate cooking

KHSLD Wall Mount Liner Inserts - 18" Deep and 6" Tall



See Page 81

Model	Width	Color	CFM	Duct	Retail
KH28SLD-BL	28 3/8"	Black	250	3 1/4" X 10" Top or Back Vent	\$ 526
KH28SLD-GS	28 3/8"	Gunsmoke	250		\$ 526
KH28SLD-SS	28 3/8"	SS	250		\$ 643
KH34SLD-BL	34 3/8"	Black	250		\$ 526
KH34SLD-GS	34 3/8"	Gunsmoke	250		\$ 526
KH34SLD-SS	34 3/8"	SS	250		\$ 643
KH40SLD-SS	40 3/8"	SS	250		\$ 752

Optional Trim Kits:

Model	Description	Price
TKK28SLD-SS	Trim Kit for KH28SLD-SS	\$ 22
TKK34SLD-SS	Trim Kit for KH34SLD-SS	\$ 22
TKK40SLD-SS	Trim Kit for KH40SLD-SS	\$ 23

PRH6-K Under Cabinet Range Hood- 19 1/2" Deep and 6" Tall



See Page 81

Model	Width	Color	CFM	Duct	Retail
PRH6-K30-BL	30"	Black	250	3 1/4" X 10" Top or Back Vent	\$ 582
PRH6-K30-SS	30"	SS	250		\$ 700
PRH6-K30-WH	30"	White	250		\$ 582
PRH6-K36-BL	36"	Black	250		\$ 582
PRH6-K36-SS	36"	SS	250		\$ 700

PDH7-K Euro-Style Wall Mount Range Hood



See Page 83

Model	Width	CFM	Stainless
PDH7-K30-SS	30"	250	\$ 1,330
PDH7-K36-SS	36"	250	\$ 1,330

Removable Panel Duct Covers

Model	Dimensions	CLG	Stainless
W7DCRND-12/17-SS	12"W X 12"D X 17"H	7'	\$ 554
W7DCRND-12/29-SS	12"W X 12"D X 29"H	8'	\$ 665
W7DCRND-12/41-SS	12"W X 12"D X 41"H	9'	\$ 777

Stock Item List - V-Line

PDH14-K Under Cabinet Range Hood- 21" Deep and 14" Tall



Model	Width	Color	CFM	Duct	Retail
PDH14-K30-SS	30"	SS	250	7"	\$ 1,594
PDH14-K36-SS	36"	SS	250	7"	\$ 1,630

Duct Covers:

Model	Dimensions	Ceiling Height	Retail
WDCRND-10/10-SS	10"W x 10"D x 10"H	8"	\$ 475
WDCRND-10/22-SS	10"W x 10"D x 22"H	9"	\$ 566
WDCRND-10/34-SS	10"W x 10"D x 34"H	10"	\$ 656

See Page 83

SLH6-K Under Cabinet Range Hood- 19 1/2" Deep and 6" Tall



Model	Width	Color	CFM	Duct	Retail
SLH6-K30-BL	30"	Black	250	3 1/4" X 10 Top or Back Vent	\$ 582
SLH6-K30-SS	30"	SS	250		\$ 700
SLH6-K30-WH	30"	White	250		\$ 582
SLH6-K36-SS	36"	SS	250		\$ 700
SLH6-K36-WH	36"	White	250		\$ 582

See Page 81

CWEAH6-K ARS/Duct-Free Range Hood



Model	Width	Color	Retail
CWEAH6-K36-SS	36"	SS	\$ 1,165

Duct Covers for CWEAH6-K

Model	Dimensions	Ceiling Height	Retail
WDCAND-12/18-SS	12"W x 12"D x 18"H	7'	\$ 706
WDCAND-12/30-SS	12"W x 12"D x 30"H	8'	\$ 809
WDCAND-12/42-SS	12"W x 12"D x 42"H	9'	\$ 898

See Page 73

PDAH14-K ARS/DUCT-FREE RANGE HOOD



Model	Width	Color	Retail
PDAH14-K30-SS	30"	SS	\$ 1,593
PDAH14-K36-SS	36"	SS	\$ 1,629

Duct Covers for PDAH14-K

Model	Dimensions	Ceiling Height	Retail
WDCAND-10/22-SS	10"W x 10"D x 22"H	8'	\$ 718
WDCAND-10/34-SS	10"W x 10"D x 34"H	9'	\$ 795

See Page 74

ARS Filters for CWEAH6-K

Model	Description	Retail
ARS-12	ARS Filter Assembly for WDCA-12	\$ 397
ARSLP-12	ARS Filter Assembly for Low Profile	\$ 294
ARSUC-12	ARS Filter Assembly for Under Cabinet	\$ 294
PARS-12	12"x12" Replacement H.E. Filter Assembly	\$ 321
PARS-C	Replacement Activated Carbon Pellets - 1 Gallon	\$ 65

ARS Filters for PDAH14-K

Model	Description	Retail
ARS-10	ARS Filter Assembly for WDCA-10	\$ 397
PARS-10	10"x10" Replacement H.E. Filter Assembly	\$ 321
PARS-C	Replacement Activated Carbon Pellets - 1 Gallon	\$ 65

STOCK ITEM LIST

Stock Item List - M-Series

MSLD Wall Mount Liner Inserts - 19 1/4" Deep and 12 1/2" Tall



See Page 78

Model	Width	Color	#Filters	Retail
M28SLD-SS	28 3/8"	SS	2	\$ 667
M34SLD-SS	34 3/8"	SS	2	\$ 667
M40SLD-SS	40 3/8"	SS	2	\$ 737
M46SLD-SS	46 3/8"	SS	3	\$ 914

Blower Sold Separately - Choose from Options Below

MPSLD Wall Mount Liner Inserts - 22 1/2" Deep and 12 1/2" Tall



See Page 78

Model	Width	Color	#Filters	Retail
M28PSLD-SS	28 3/8"	SS	2	\$ 667
M34PSLD-SS	34 3/8"	SS	2	\$ 667
M40PSLD-SS	40 3/8"	SS	2	\$ 737
M46PSLD-SS	46 3/8"	SS	3	\$ 914

Blower Sold Separately - Choose from Options Below

Blower Options for MSLD and MPSLD

BLOWER OPTIONS

Model	CFM	AMPS	Duct	Retail
M600	630	5.0	6"	\$ 442
M1200*	1035	10.0	10"	\$ 850

*VP566 Transition Included



M600



M1200

Stock Item List - M-Series

PRH18-M Wall Mount Range Hood - 24" Deep and 18" Tall



Model	Width	Color	# Filters	Retail
PRH18-M36-SS	36"	SS	2	\$ 1,282

Blower Sold Separately - Choose from Options Below

See Page 77

PRXH18-M Wall Mount Range Hood - 27" Deep and 18" Tall

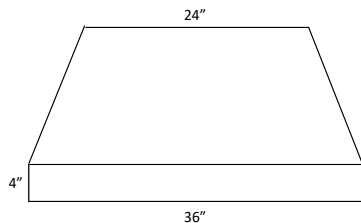


Model	Width	Color	# Filters	Retail
PRXH18-M30-SS	30"	SS	2	\$ 1,260
PRXH18-M36-SS	36"	SS	2	\$ 1,282
PRXH18-M42-SS	42"	SS	2	\$ 1,386
PRXH18-M48-SS	48"	SS	3	\$ 1,462
PRXH18-M54 SS	54"	SS	3	\$ 1,788
PRXH18-M60 SS	60"	SS	3	\$ 1,941

Blower Sold Separately - Choose from Options Below

See Page 77

EPH18-M Wall Mount Range Hood



Model	Width	Color	# Filters	Retail
EPH18-M36-SS	36"	SS	2	\$ 1,644
EPH18-M42-SS	42"	SS	2	\$ 1,802
EPH18-M48-SS	48"	SS	2	\$ 1,914
EPXH18-M36-SS	36"	SS	3	\$ 2,416
EPXH18-M42 SS	42"	SS	3	\$ 2,636
EPXH18-M48 SS	48"	SS	3	\$ 2,810

Blower Sold Separately - Choose from Options Below

See Page 79

Blower Options and Duct Covers for PRH18-M and PRXH18-M

Blower Options

Model	CFM	AMPS	Duct	Retail
M600	630	5.0	6"	\$ 442
M1200*	1035	10.0	10"	\$ 850

*VP566 Transition Included

Duct Covers:

Model	Dimensions	Ceiling Height	Retail
WDCM-36-SS	36"W X 12"D X 12"H	8'	\$ 531
WDCM-36/24-SS	36"W X 12"D X 24"H	9'	\$ 775
WDCM-36/36-SS	36"W X 12"D X 36"H	10'	\$ 1,018
WDCM-42-SS	42"W X 12"D X 12"H	8'	\$ 573
WDCM-42/24-SS	42"W X 12"D X 24"H	9'	\$ 857
WDCM-42/36-SS	42"W X 12"D X 36"H	10'	\$ 1,141
WDCM-48-SS	48"W X 12"D X 12"H	8'	\$ 612
WDCM-48/24-SS	48"W X 12"D X 24"H	9'	\$ 938
WDCM-48/36-SS	48"W X 12"D X 36"H	10'	\$ 1,262

STOCK ITEM LIST

Concierge Ventilation Service

Let us create the ventilation hood of your client's dreams and deliver the order right to your desk!

Pinnacle Sales Group has created a concierge service dedicated to helping our dealers specify customized ventilation for their clients with ease. We understand that working through the finest of details like identifying your client's needs, style and installation applications is a time-consuming process.

The process is simple, all you need to do is fill out the Data Collection Form located on our website and we take care of the rest!

This luxury service allows us to carefully work with the homeowner to determine which ventilation design and application piece best suits their needs while also providing turn-key concierge design services to our dealer partners with all information needed to complete the sale.

Go to pinnaclesalesgroup.com to start your next custom Vent-A-Hood quote!



Build-A-Hood Online Custom Design Tool

Visit www.buildahood.com to design and visualize your hood!

How to build a hood:

- 1. Select A Style:** Designer hoods shown for reference, but select any hood style.
- 2. Select a Hood Width:** 36", 42", 48", 54", 60" or 66"
- 3. Select a Ceiling Height**



PRICES REFERENCED IN THE BUILD-A-HOOD CONFIGURATOR ARE ESTIMATES AND MAY VARY BY GEOGRAPHICAL REGIONS. WHILE WE MAKE EVERY EFFORT TO MAINTAIN ACCURATE INFORMATION, THIS WEBSITE MAY CONTAIN TYPOGRAPHICAL ERRORS OR INACCURACIES. PLEASE CONTACT PINNACLE EXPRESS FOR FINAL PRICING.

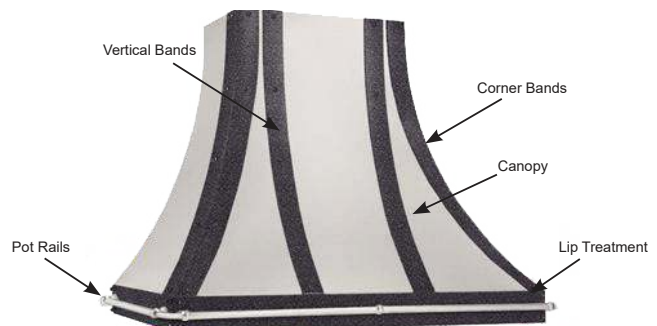
4. Select a Blower System

- 300 CFM Cooking Equipment: Standard Electric 20,000 - 30,000 BTU, 12,000 watts
 - 600 CFM Cooking Equipment: Standard Gas or Professional Style 40,000 - 60,000 BTU, 24,000 watts
 - 900 CFM Cooking Equipment: Heavy-Usage Professional Style 60,000 - 90,000 BTU, 36,000 watts
 - 1200 CFM Cooking Equipment: Heavy-Usage Professional Style 80,000 - 120,000 BTU, 48,000 watts
- BTU Ratings are for standard burners only and do not represent high output devices such as grills, griddles, woks, or fryers.

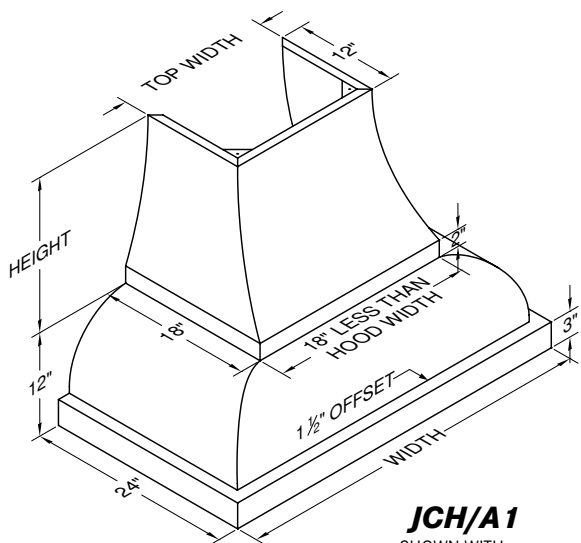
5. Choose Finishes

6. Choose Optional Features:

- Corner Bands
- Vertical Bands
- Pot Rail
- Lip Treatment



JCH/A1 DESIGNER SERIES WALL MOUNT RANGE HOOD

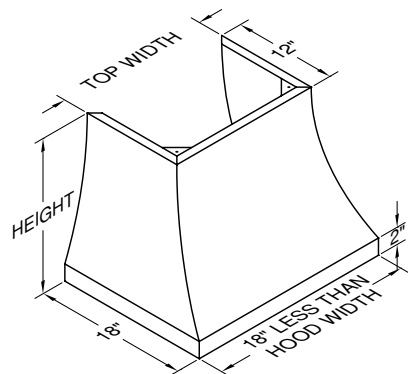


JCH/A1
SHOWN WITH
MATCHING DUCT COVER
(SOLD SEPARATELY)

JCH/A1

Model No.	CFM	Width	Top W.	Painted	Stainless	Overlay*
JCH136/A1	300	36"	18"	2,329	2,865	3,764
JCH142/A1		42"	24"	2,513	3,023	4,055
JCH148/A1		48"	30"	2,606	3,143	4,203
JCH236/A1	600	36"	18"	2,701	3,273	4,136
JCH242/A1		42"	24"	2,886	3,431	4,429
JCH248/A1		48"	30"	2,980	3,550	4,577
JCH348/A1	900*	48"	30"	3,376	4,041	4,974
JCH354/A1		54"	36"	3,999	4,817	5,878
JCH360/A1		60"	42"	4,147	5,018	6,186
JCH454/A1	1200+	54"	36"	4,372	5,225	6,252
JCH460/A1		60"	42"	4,520	5,428	6,560
JCH466/A1		66"	48"	4,698	5,663	6,885

*FOR OVERLAY HOODS, SPECIFY INTERIOR COLOR
*VP562 TRANSITION TO 10" ROUND INCLUDED WITH 900 CFM MODELS
+VP563 TRANSITION TO 12" ROUND INCLUDED WITH 1200 CFM MODELS



DUCT COVERS FOR JCH/A1

Model No.	Width	Top W.	Height	Painted	Stainless	Overlay*
CDC-18/12/18	18"	12"	18"	911	1,001	1,130
CDC-18/12/30		12"	30"	1,323	1,476	1,708
CDC-18/12/42		12"	42"	1,426	1,643	1,978
CDC-24/12/18	24"	18"	18"	963	1,078	1,258
CDC-24/12/30		12"	30"	1,412	1,618	1,926
CDC-24/12/42		12"	42"	1,553	1,835	2,286
CDC-30/12/18	30"	24"	18"	1,015	1,156	1,386
CDC-30/12/30		12"	30"	1,503	1,758	2,143
CDC-30/12/42		12"	42"	1,681	2,040	2,594
CDC-36/12/18	36"	30"	18"	1,065	1,245	1,515
CDC-36/12/30		18"	30"	1,592	1,900	2,363
CDC-36/12/42		18"	42"	1,811	2,233	2,902
CDC-42/12/18	42"	36"	18"	1,118	1,323	1,630
CDC-42/12/30		24"	30"	1,681	2,040	2,594
CDC-42/12/42		18"	42"	1,938	2,439	3,196
CDC-48/12/18	48"	42"	18"	1,168	1,400	1,758
CDC-48/12/30		30"	30"	1,772	2,183	2,811
CDC-48/12/42		24"	42"	2,066	2,632	3,504

*TRIM REQUIRED ON MODELS EXCEEDING 35" WIDTH AND 30" HEIGHT

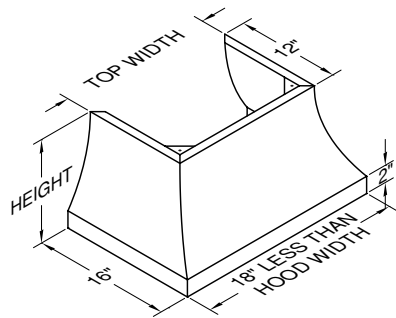
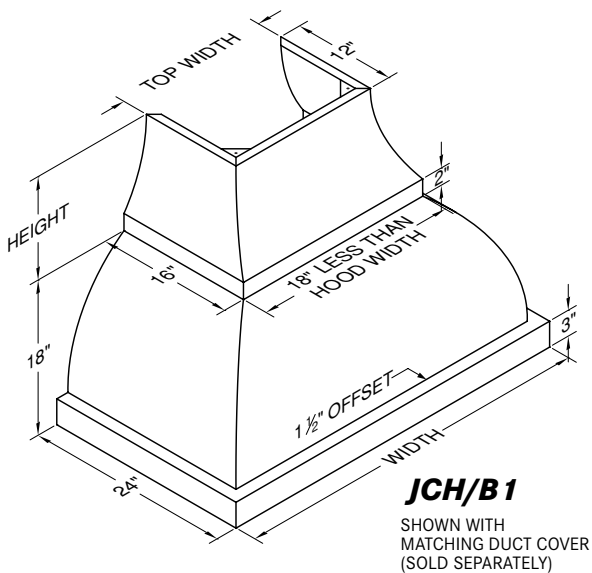
JCH/A1 AS SEEN IN ADVERTISING LITERATURE



CFM	WIDTH					
	36"	42"	48"	54"	60"	66"
300 CFM	7,276.00	7,695.00	7,971.00			
600 CFM	7,648.00	8,069.00	8,345.00			
900 CFM			8,742.00	9,775.00	10,198.00	
1200 CFM				10,149.00	10,572.00	11,025.00

Pricing includes matching duct cover for 8' ceiling.
Priced as shown with light antiqued hammered copper and antiqued trim.

JCH/B1 DESIGNER SERIES WALL MOUNT RANGE HOOD



JCH/B1

Model No.	CFM	Width	Top W.	Painted	Stainless	Overlay*
JCH136/B1	300	36"	18"	2,329	2,865	3,764
JCH142/B1		42"	24"	2,513	3,023	4,055
JCH148/B1		48"	30"	2,606	3,143	4,203
JCH236/B1	600	36"	18"	2,701	3,273	4,136
JCH242/B1		42"	24"	2,886	3,431	4,429
JCH248/B1		48"	30"	2,980	3,550	4,577
JCH348/B1	900*	48"	30"	3,376	4,041	4,974
JCH354/B1		54"	36"	3,999	4,817	5,878
JCH360/B1		60"	42"	4,147	5,018	6,186
JCH454/B1	1200+	54"	36"	4,372	5,225	6,252
JCH460/B1		60"	42"	4,520	5,428	6,560
JCH466/B1		66"	48"	4,698	5,663	6,885

*FOR OVERLAY HOODS, SPECIFY INTERIOR COLOR
 *VP562 TRANSITION TO 10" ROUND INCLUDED WITH 900 CFM MODELS
 +VP563 TRANSITION TO 12" ROUND INCLUDED WITH 1200 CFM MODELS

DUCT COVERS FOR JCH/B1

Model No.	Width	Top W.	Height	Painted	Stainless	Overlay*
CDC-18/12/12	18"	12"	12"	911	1,001	1,130
CDC-18/12/24		12"	24"	1,323	1,476	1,708
CDC-18/12/36		12"	36"	1,426	1,643	1,978
CDC-24/12/12	24"	18"	12"	963	1,078	1,258
CDC-24/12/24		12"	24"	1,412	1,618	1,926
CDC-24/12/36		12"	36"	1,553	1,835	2,286
CDC-30/12/12	30"	24"	12"	1,015	1,156	1,386
CDC-30/12/24		12"	24"	1,503	1,758	2,143
CDC-30/12/36		12"	36"	1,681	2,040	2,594
CDC-36/12/12	36"	30"	12"	1,065	1,245	1,515
CDC-36/12/24		18"	24"	1,592	1,900	2,363
CDC-36/12/36		18"	36"	1,811	2,233	2,902
CDC-42/12/12	42"	36"	12"	1,118	1,323	1,630
CDC-42/12/24		24"	24"	1,681	2,040	2,594
CDC-42/12/36		18"	36"	1,938	2,439	3,196
CDC-48/12/12	48"	42"	12"	1,168	1,400	1,758
CDC-48/12/24		30"	24"	1,772	2,183	2,811
CDC-48/12/36		24"	36"	2,066	2,632	3,504

*TRIM REQUIRED ON MODELS EXCEEDING 35" WIDTH AND 30" HEIGHT

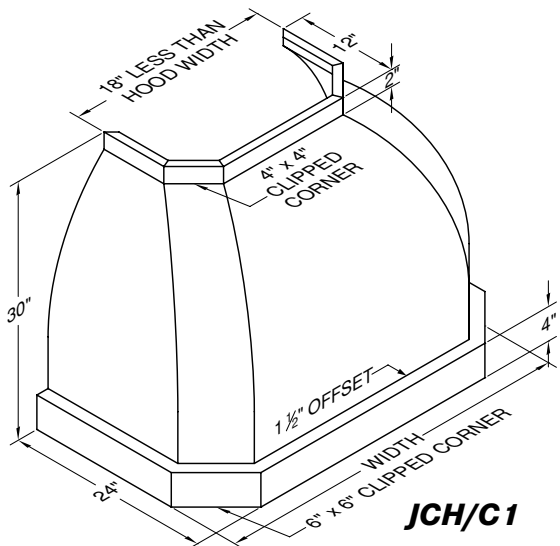
JCHIB1 AS SEEN IN ADVERTISING LITERATURE



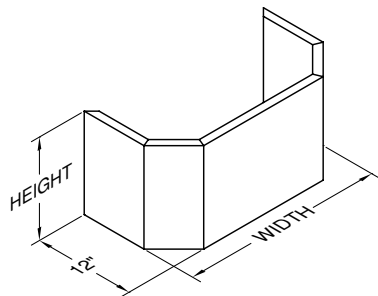
CFM	WIDTH					
	36"	42"	48"	54"	60"	66"
300 CFM	8,626.00	8,966.00	9,269.00			
600 CFM	9,034.00	9,374.00	9,676.00			
900 CFM			10,167.00	11,137.00	11,521.00	
1200 CFM				11,545.00	11,931.00	12,348.00

Pricing includes matching duct cover for 8' ceiling.
 Priced as shown with stainless steel finish and pewter trim.

JCH/C1 DESIGNER SERIES WALL MOUNT RANGE HOOD



JCH/C1



JCH/C1

Model No.	CFM	Width	Painted	Stainless	Overlay*
JCH136/C1	300	36"	3,306	4,195	5,637
JCH142/C1		42"	3,580	4,509	6,151
JCH148/C1		48"	3,756	4,739	6,527
JCH236/C1	600	36"	3,678	4,603	6,011
JCH242/C1		42"	3,954	4,917	6,525
JCH248/C1		48"	4,128	5,147	6,900
JCH348/C1	900	48"	4,525	5,637	7,298
JCH354/C1		54"	5,069	6,371	8,269
JCH360/C1		60"	5,313	6,734	8,791
JCH454/C1	1200	54"	5,443	6,778	8,642
JCH460/C1		60"	5,686	7,143	9,165
JCH466/C1		66"	5,915	7,465	9,675

- FOR OVERLAY HOODS, SPECIFY INTERIOR COLOR
- USE VP562 TRANSITION (OPTIONAL) ON 900 CFM MODELS TO COMBINE OUTLETS INTO SINGLE 10" DUCT.
- USE VP563 TRANSITION (OPTIONAL) ON 1200 CFM MODELS TO COMBINE OUTLETS INTO A SINGLE 12" DUCT

DUCT COVERS FOR JCH/C1

Model No.	Width	Height	Painted	Stainless	Overlay
WDCC4-18/12	18"	12"	872	937	1,027
WDCC4-18/24		24"	975	1,103	1,283
WDCC4-24/12	24"	12"	911	988	1,118
WDCC4-24/24		24"	1,053	1,207	1,464
WDCC4-30/12	30"	12"	937	1,040	1,207
WDCC4-30/24		24"	1,118	1,323	1,643
WDCC4-36/12	36"	12"	975	1,103	1,283
WDCC4-36/24		24"	1,194	1,438	1,811
WDCC4-42/12	42"	12"	1,015	1,156	1,373
WDCC4-42/24		24"	1,271	1,553	1,990
WDCC4-48/12	48"	12"	1,053	1,207	1,464
WDCC4-48/24		24"	1,335	1,669	2,170

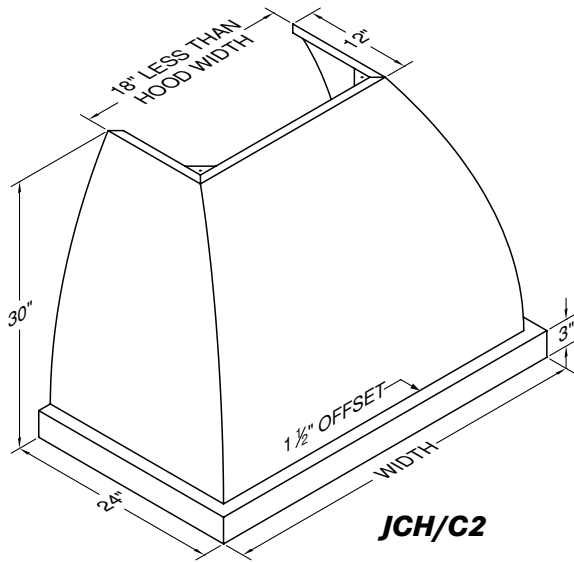
JCH/C1 AS SEEN IN ADVERTISING LITERATURE



CFM	WIDTH					
	36"	42"	48"	54"	60"	66"
300 CFM	4,920	5,264	5,510			
600 CFM	5,292	5,638	5,882			
900 CFM			6,279	6,893	7,207	
1200 CFM				7,267	7,580	7,879

Priced as shown with oil rubbed bronze finish and antiqued copper trim.

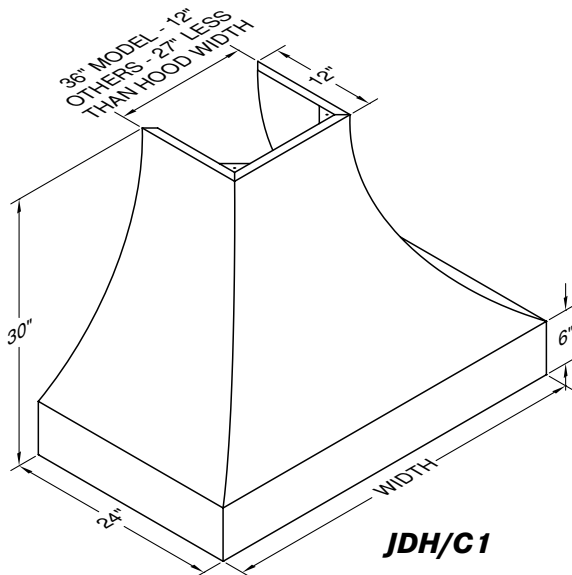
JCH/C2, JDH/C1 & JDH/C2 DESIGNER SERIES WALL MOUNT RANGE HOODS



JCH/C2

Model No.	CFM	Width	Painted	Stainless	Overlay*
JCH136/C2	300	36"	3,174	4,083	5,532
JCH142/C2		42"	3,439	4,391	6,029
JCH148/C2		48"	3,613	4,605	6,405
JCH236/C2	600	36"	3,547	4,491	5,906
JCH242/C2		42"	3,813	4,799	6,402
JCH248/C2		48"	3,986	5,014	6,777
JCH348/C2	900	48"	4,384	5,504	7,174
JCH354/C2		54"	5,046	6,253	8,266
JCH360/C2		60"	5,288	6,736	8,803
JCH454/C2	1200	54"	5,419	6,661	8,640
JCH460/C2		60"	5,662	7,145	9,177
JCH466/C2		66"	5,945	7,528	9,729

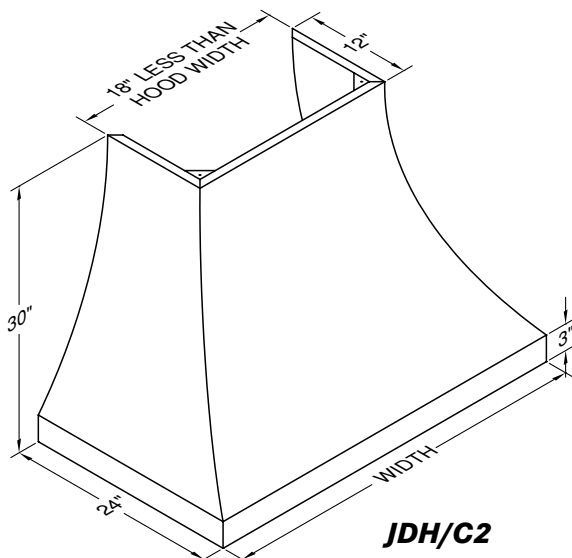
- FOR OVERLAY HOODS, SPECIFY INTERIOR COLOR
- USE VP562 TRANSITION (OPTIONAL) ON 900 CFM MODELS TO COMBINE OUTLETS INTO SINGLE 10" DUCT.
- USE VP563 TRANSITION (OPTIONAL) ON 1200 CFM MODELS TO COMBINE OUTLETS INTO A SINGLE 12" DUCT
- PRICED AS SEEN IN LITERATURE ON PAGE 23.



JDH/C1

Model No.	CFM	Width	Painted	Stainless	Overlay*
JDH136/C1	300	36"	3,174	4,083	5,532
JDH142/C1		42"	3,439	4,391	6,029
JDH148/C1		48"	3,613	4,605	6,405
JDH236/C1	600	36"	3,547	4,491	5,906
JDH242/C1		42"	3,813	4,799	6,402
JDH248/C1		48"	3,986	5,014	6,777
JDH348/C1	900*	48"	4,384	5,504	7,174
JDH354/C1		54"	5,046	6,253	8,266
JDH360/C1		60"	5,288	6,736	8,803
JDH454/C1	1200+	54"	5,419	6,661	8,640
JDH460/C1		60"	5,662	7,145	9,177
JDH466/C1		66"	5,945	7,528	9,729

- FOR OVERLAY HOODS, SPECIFY INTERIOR COLOR
- *VP562 TRANSITION TO 10" ROUND INCLUDED WITH 900 CFM MODELS
- +VP563 TRANSITION TO 12" ROUND INCLUDED WITH 1200 CFM MODELS
- PRICED AS SEEN IN LITERATURE ON PAGE 23.



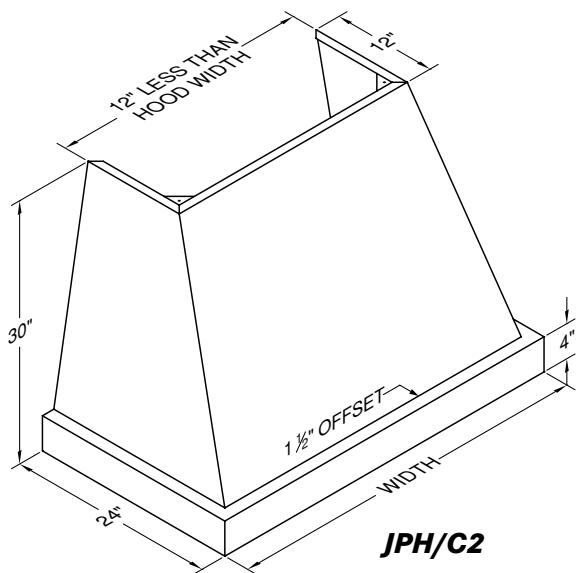
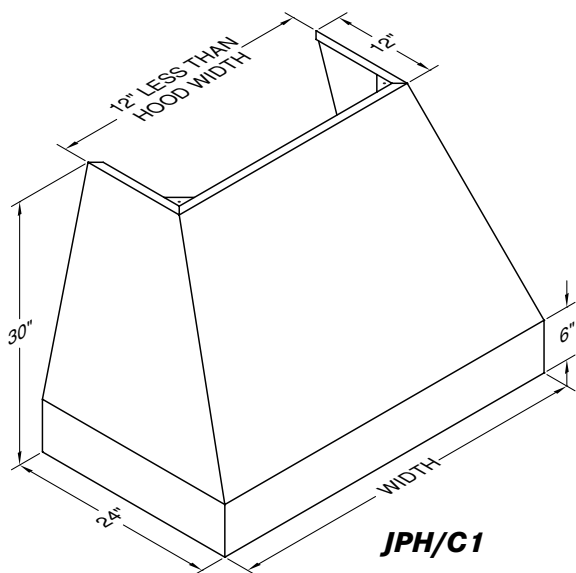
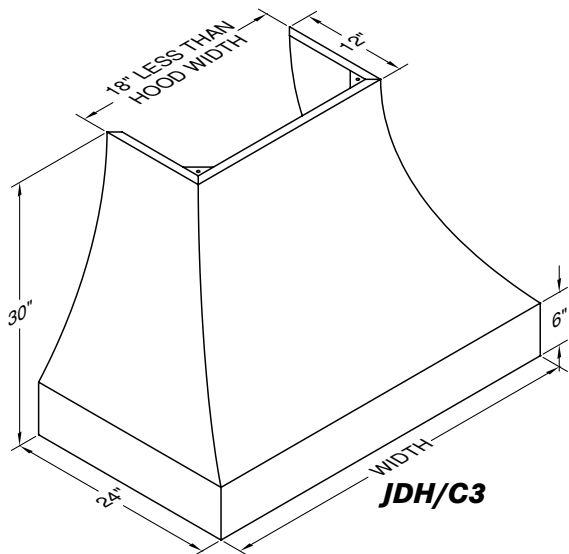
JDH/C2

Model No.	CFM	Width	Painted	Stainless	Overlay*
JDH136/C2	300	36"	3,174	4,083	5,532
JDH142/C2		42"	3,439	4,391	6,029
JDH148/C2		48"	3,613	4,605	6,405
JDH236/C2	600	36"	3,547	4,491	5,906
JDH242/C2		42"	3,813	4,799	6,402
JDH248/C2		48"	3,986	5,014	6,777
JDH348/C2	900*	48"	4,384	5,504	7,174
JDH354/C2		54"	5,046	6,253	8,266
JDH360/C2		60"	5,288	6,736	8,803
JDH454/C2	1200+	54"	5,419	6,661	8,640
JDH460/C2		60"	5,662	7,145	9,177
JDH466/C2		66"	5,945	7,528	9,729

- FOR OVERLAY HOODS, SPECIFY INTERIOR COLOR
- *VP562 TRANSITION TO 10" ROUND INCLUDED WITH 900 CFM MODELS
- +VP563 TRANSITION TO 12" ROUND INCLUDED WITH 1200 CFM MODELS
- PRICED AS SEEN IN LITERATURE ON PAGE 23.

STOCK ITEMS LOCATED ON PAGE 14 AND 16.

JDH/C3, JPH/C1 & JPH/C2 DESIGNER SERIES WALL MOUNT RANGE HOODS



JDH/C3

Model No.	CFM	Width	Painted	Stainless	Overlay*
JDH136/C3	300	36"	3,174	4,083	5,532
JDH142/C3		42"	3,439	4,391	6,029
JDH148/C3		48"	3,613	4,605	6,405
JDH236/C3	600	36"	3,547	4,491	5,906
JDH242/C3		42"	3,813	4,799	6,402
JDH248/C3		48"	3,986	5,014	6,777
JDH348/C3	900*	48"	4,384	5,504	7,174
JDH354/C3		54"	5,046	6,253	8,266
JDH360/C3		60"	5,288	6,736	8,803
JDH454/C3	1200+	54"	5,419	6,661	8,640
JDH460/C3		60"	5,662	7,145	9,177
JDH466/C3		66"	5,945	7,528	9,729

* FOR OVERLAY HOODS, SPECIFY INTERIOR COLOR
 *VP562 TRANSITION TO 10" ROUND INCLUDED WITH 900 CFM MODELS
 +VP563 TRANSITION TO 12" ROUND INCLUDED WITH 1200 CFM MODELS

JPH/C1

Model No.	CFM	Width	Painted	Stainless	Overlay*
JPH136/C1	300	36"	3,174	4,083	5,532
JPH142/C1		42"	3,439	4,391	6,029
JPH148/C1		48"	3,613	4,605	6,405
JPH236/C1	600	36"	3,547	4,491	5,906
JPH242/C1		42"	3,813	4,799	6,402
JPH248/C1		48"	3,986	5,014	6,777
JPH348/C1	900	48"	4,384	5,504	7,174
JPH354/C1		54"	5,046	6,253	8,266
JPH360/C1		60"	5,288	6,736	8,803
JPH454/C1	1200	54"	5,419	6,661	8,640
JPH460/C1		60"	5,662	7,145	9,177
JPH466/C1		66"	5,945	7,528	9,729

* FOR OVERLAY HOODS, SPECIFY INTERIOR COLOR
 • USE VP562 TRANSITION (OPTIONAL) ON 900 CFM MODELS TO COMBINE OUTLETS INTO SINGLE 10" DUCT.
 • USE VP563 TRANSITION (OPTIONAL) ON 1200 CFM MODELS TO COMBINE OUTLETS INTO A SINGLE 12" DUCT
 • PRICED AS SEEN IN LITERATURE ON PAGE 24.

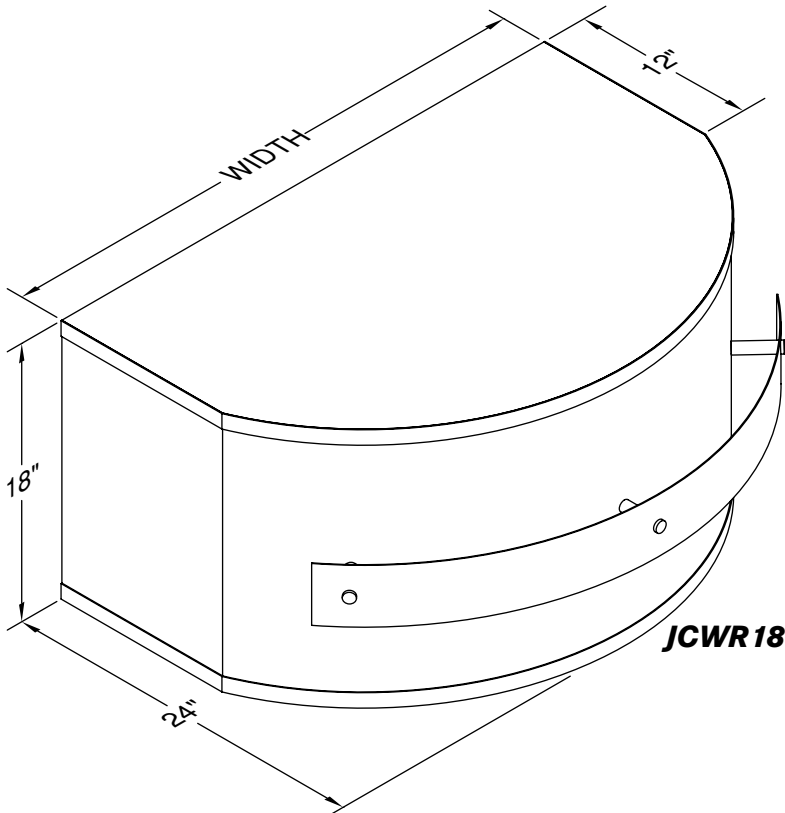
JPH/C2

Model No.	CFM	Width	Painted	Stainless	Overlay*
JPH136/C2	300	36"	3,174	4,083	5,532
JPH142/C2		42"	3,439	4,391	6,029
JPH148/C2		48"	3,613	4,605	6,405
JPH236/C2	600	36"	3,547	4,491	5,906
JPH242/C2		42"	3,813	4,799	6,402
JPH248/C2		48"	3,986	5,014	6,777
JPH348/C2	900	48"	4,384	5,504	7,174
JPH354/C2		54"	5,046	6,253	8,266
JPH360/C2		60"	5,288	6,736	8,803
JPH454/C2	1200	54"	5,419	6,661	8,640
JPH460/C2		60"	5,662	7,145	9,177
JPH466/C2		66"	5,945	7,528	9,729

* FOR OVERLAY HOODS, SPECIFY INTERIOR COLOR
 • USE VP562 TRANSITION (OPTIONAL) ON 900 CFM MODELS TO COMBINE OUTLETS INTO SINGLE 10" DUCT.
 • USE VP563 TRANSITION (OPTIONAL) ON 1200 CFM MODELS TO COMBINE OUTLETS INTO A SINGLE 12" DUCT
 • PRICED AS SEEN IN LITERATURE ON PAGE 24.

STOCK ITEMS LOCATED ON PAGE 14 AND 15.

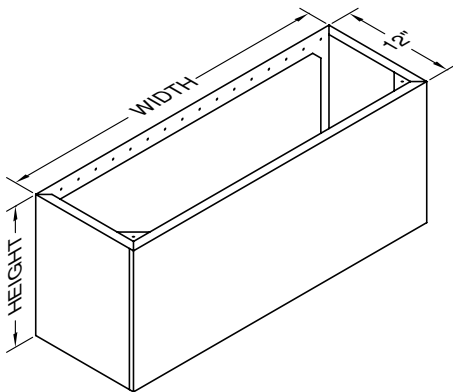
JCWR18 DESIGNER SERIES WALL MOUNT RANGE HOOD



JCWR18

Model No.	CFM	Width	Stainless
JCWR18-130	300	30"	2,792
JCWR18-136		36"	2,860
JCWR18-142		42"	3,081
JCWR18-148		48"	3,188
JCWR18-230	600	30"	3,165
JCWR18-236		36"	3,233
JCWR18-242		42"	3,455
JCWR18-248		48"	3,562
JCWR18-254	900	54"	4,228
JCWR18-342		42"	3,850
JCWR18-348		48"	3,958
JCWR18-354		54"	4,625
JCWR18-360	1200	60"	5,027
JCWR18-448		48"	4,331
JCWR18-454		54"	4,998
JCWR18-460		60"	5,401
JCWR18-466		66"	5,429

- USE VP562 TRANSITION (OPTIONAL) ON 900 CFM MODELS TO COMBINE OUTLETS INTO SINGLE 10" DUCT.
- USE VP563 TRANSITION (OPTIONAL) ON 1200 CFM MODELS TO COMBINE OUTLETS INTO A SINGLE 12" DUCT



WDCRND FOR DESIGNER SERIES HOODS

Model No.	Width	Height	Painted	Stainless	Overlay
WDCRND-12/12	12"	12"	462	501	565
WDCRND-12/24		24"	527	616	732
WDCRND-15/12	15"	12"	488	540	616
WDCRND-15/24		24"	578	680	848
WDCRND-18/12	18"	12"	513	578	667
WDCRND-18/24		24"	616	745	925
WDCRND-21/12	21"	12"	527	604	706
WDCRND-21/24		24"	655	795	1,015
WDCRND-24/12	24"	12"	552	629	757
WDCRND-24/24		24"	693	860	1,103
WDCRND-27/12	27"	12"	565	655	795
WDCRND-27/24		24"	732	911	1,194
WDCRND-30/12	30"	12"	565	667	822
WDCRND-30/24		24"	745	937	1,258
WDCRND-33/12	33"	12"	604	718	886
WDCRND-33/24		24"	795	1,027	1,373
WDCRND-36/12	36"	12"	604	718	911
WDCRND-36/24		24"	809	1,053	1,426
WDCRND-39/12	39"	12"	643	770	975
WDCRND-39/24		24"	872	1,130	1,541
WDCRND-42/12	42"	12"	643	783	988
WDCRND-42/24		24"	886	1,168	1,592
WDCRND-48/12	48"	12"	667	834	1,078
WDCRND-48/24		24"	950	1,271	1,772
WDCRND-54/12	54"	12"	706	886	1,168
WDCRND-54/24		24"	1,053	1,412	1,978
CUSTOM	WIDTH X HEIGHT X		0.48	0.77	1.21
	PLUS			398	

DESIGNER SERIES AS SEEN IN ADVERTISING LITERATURE

JCH/C2 AS SEEN IN ADVERTISING LITERATURE



CFM	WIDTH					
	36"	42"	48"	54"	60"	66"
300 CFM	5,943	6,243	6,452			
600 CFM	6,316	6,617	6,825			
900 CFM			7,223	7,920	8,197	
1200 CFM				8,293	8,571	8,889

Priced as shown with pewter finish and silvervein trim.

• STANDARD PRODUCT PRICING FOUND ON PAGE 35.

JDH/C1 AS SEEN IN ADVERTISING LITERATURE



CFM	WIDTH					
	36"	42"	48"	54"	60"	66"
300 CFM	7,584.00	8,165.00	8,625.00			
600 CFM	7,958.00	8,538.00	8,997.00			
900 CFM			9,394.00	10,570.00	11,191.00	
1200 CFM				10,944.00	11,565.00	12,201.00

Priced as shown with antiqued hammered copper finish and trim.

• STANDARD PRODUCT PRICING FOUND ON PAGE 35.

MADISON JDH/C2 AS SEEN IN ADVERTISING LITERATURE



CFM	WIDTH					
	36"	42"	48"	54"	60"	66"
300 CFM	5,262	5,661	5,966			
600 CFM	5,670	6,069	6,375			
900 CFM			6,865	7,705	8,279	
1200 CFM				8,113	8,688	9,162

Priced as shown with stainless steel finish and mirror stainless trim.

• STANDARD PRODUCT PRICING FOUND ON PAGE 35.

DESIGNER SERIES AS SEEN IN ADVERTISING LITERATURE

ISABELLA JPH/C1 AS SEEN IN ADVERTISING LITERATURE



CFM	WIDTH					
	36"	42"	48"	54"	60"	66"
300 CFM	5,207	5,542	5,786			
600 CFM	5,580	5,916	6,159			
900 CFM			6,557	7,289	7,601	
1200 CFM				7,662	7,975	8,329

Priced as shown with white finish and mirror stainless steel trim.

- STANDARD PRODUCT PRICING FOUND ON PAGE 36.

PHANTOM JPH/C2 AS SEEN IN ADVERTISING LITERATURE

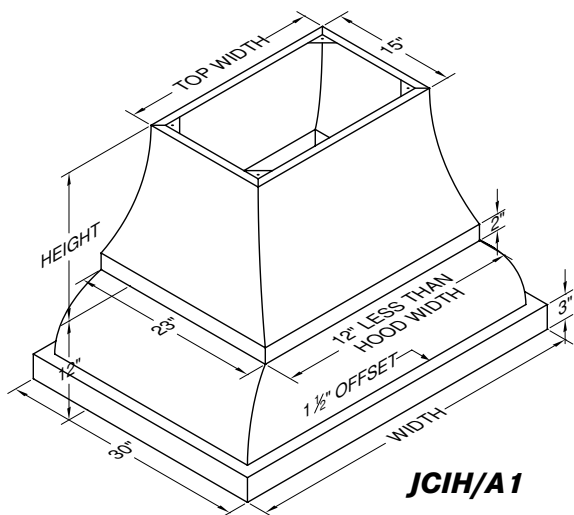


CFM	WIDTH					
	36"	42"	48"	54"	60"	66"
300 CFM	3,665	3,965	4,174			
600 CFM	4,038	4,339	4,547			
900 CFM			4,945	5,642	5,919	
1200 CFM				6,015	6,293	6,611

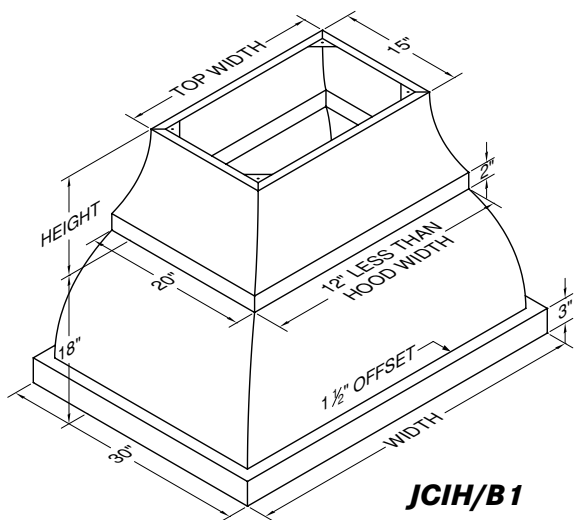
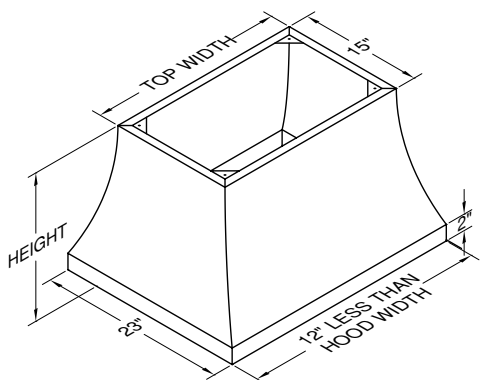
Priced as shown with black finish and stainless steel trim.

- STANDARD PRODUCT PRICING FOUND ON PAGE 36.

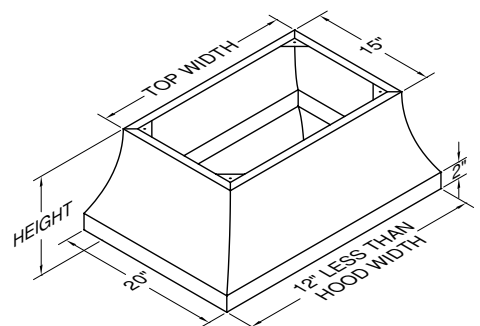
JCIH/A1 & JCIH/B1 DESIGNER SERIES ISLAND RANGE HOODS



JCIH/A1



JCIH/B1



JCIH/A1

Model No.	CFM	Width	Top W.	Painted	Stainless	Overlay*
JCIH236/A1	550*	36"	24"	3,667	4,768	6,779
JCIH242/A1		42"	30"	3,790	4,999	7,037
JCIH248/A1		48"	36"	3,899	5,084	7,228
JCIH254/A1		54"	42"	4,228	5,511	7,850
JCIH448/A1	1100+	48"	36"	4,693	6,099	8,021
JCIH454/A1		54"	42"	5,021	6,525	8,643
JCIH460/A1		60"	48"	5,540	7,226	10,511
JCIH466/A1		66"	54"	5,720	7,459	10,863

• FOR OVERLAY HOODS, SPECIFY INTERIOR COLOR
 *VP565 TRANSITION TO 8" ROUND INCLUDED WITH 550 CFM MODELS
 +VP564 TRANSITION TO 12" ROUND INCLUDED WITH 1100 CFM MODELS

DUCT COVERS FOR JCIH/A1

Model No.	Width	Top W.	Height	Painted	Stainless	Overlay*
ICDC-24/15/18	24"	18"	18"	1,708	1,797	2,040
ICDC-24/15/30		15"	30"	1,888	2,040	2,451
ICDC-24/15/42		15"	42"	2,066	2,286	2,863
ICDC-30/15/18	30"	24"	18"	1,772	1,900	2,195
ICDC-30/15/30		18"	30"	2,002	2,195	2,709
ICDC-30/15/42		18"	42"	2,233	2,503	3,222
ICDC-36/15/18	36"	30"	18"	1,849	1,990	2,348
ICDC-36/15/30		24"	30"	2,118	2,348	2,965
ICDC-36/15/42		18"	42"	2,388	2,721	3,569
ICDC-42/15/18	42"	36"	18"	1,913	2,080	2,503
ICDC-42/15/30		30"	30"	2,233	2,503	3,222
ICDC-42/15/42		24"	42"	2,541	2,926	3,928
ICDC-48/15/18	48"	42"	18"	1,978	2,170	2,657
ICDC-48/15/30		36"	30"	2,336	2,657	3,466
ICDC-48/15/42		30"	42"	2,709	3,146	4,287
ICDC-54/15/18	54"	48"	18"	2,040	2,259	2,811
ICDC-54/15/30		42"	30"	2,451	2,811	3,723
ICDC-54/15/42		36"	42"	2,863	3,363	4,634

• TRIM REQUIRED ON MODELS EXCEEDING 35" WIDTH AND 30" HEIGHT

JCIH/B1

Model No.	CFM	Width	Top W.	Painted	Stainless	Overlay*
JCIH236/B1	550*	36"	24"	3,667	4,768	6,779
JCIH242/B1		42"	30"	3,790	4,999	7,037
JCIH248/B1		48"	36"	3,899	5,084	7,228
JCIH254/B1		54"	42"	4,228	5,511	7,850
JCIH448/B1	1100+	48"	36"	4,693	6,099	8,021
JCIH454/B1		54"	42"	5,021	6,525	8,643
JCIH460/B1		60"	48"	5,540	7,226	10,511
JCIH466/B1		66"	54"	5,720	7,459	10,863

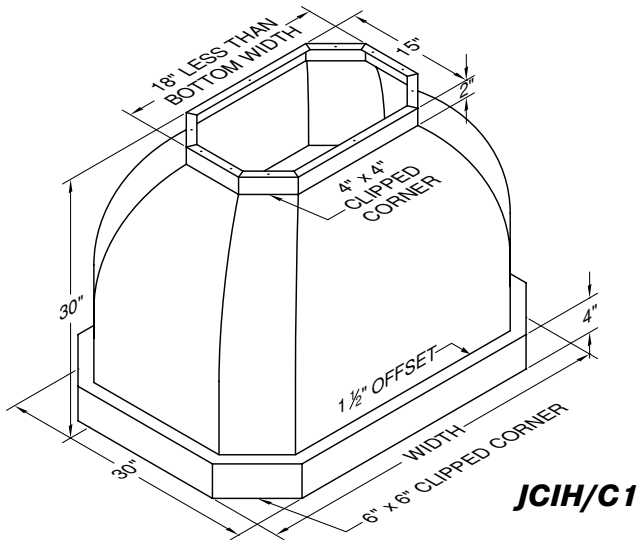
• FOR OVERLAY HOODS, SPECIFY INTERIOR COLOR
 *VP565 TRANSITION TO 8" ROUND INCLUDED WITH 550 CFM MODELS
 +VP564 TRANSITION TO 12" ROUND INCLUDED WITH 1100 CFM MODELS

DUCT COVERS FOR JCIH/B1

Model No.	Width	Top W.	Height	Painted	Stainless	Overlay*
ICDC-24/15/12	24"	18"	12"	1,708	1,797	2,040
ICDC-24/15/24		18"	24"	1,888	2,040	2,451
ICDC-24/15/36		15"	36"	2,066	2,286	2,863
ICDC-30/15/12	30"	24"	12"	1,772	1,900	2,195
ICDC-30/15/24		18"	24"	2,002	2,195	2,709
ICDC-30/15/36		18"	36"	2,233	2,503	3,222
ICDC-36/15/12	36"	30"	12"	1,849	1,990	2,348
ICDC-36/15/24		24"	24"	2,118	2,348	2,965
ICDC-36/15/36		18"	36"	2,388	2,721	3,569
ICDC-42/15/12	42"	36"	12"	1,913	2,080	2,503
ICDC-42/15/24		30"	24"	2,233	2,503	3,222
ICDC-42/15/36		24"	36"	2,541	2,926	3,928
ICDC-48/15/12	48"	42"	12"	1,978	2,170	2,657
ICDC-48/15/24		36"	24"	2,336	2,657	3,466
ICDC-48/15/36		30"	36"	2,709	3,146	4,287
ICDC-54/15/12	54"	48"	12"	2,040	2,259	2,811
ICDC-54/15/24		42"	24"	2,451	2,811	3,723
ICDC-54/15/36		36"	36"	2,863	3,363	4,634

• TRIM REQUIRED ON MODELS EXCEEDING 35" WIDTH AND 30" HEIGHT

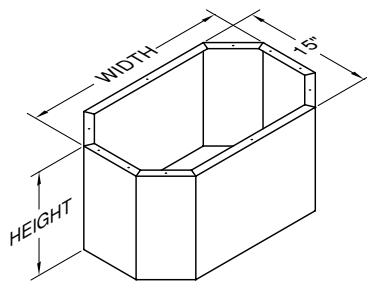
JCIH/C1 DESIGNER SERIES ISLAND RANGE HOOD



JCIH/C1

Model No.	CFM	Width	Painted	Stainless	Overlay*
JCIH236/C1	550*	36"	5,053	6,396	8,395
JCIH242/C1		42"	5,272	6,714	8,816
JCIH248/C1		48"	5,449	6,973	8,883
JCIH254/C1		54"	5,831	7,509	9,915
JCIH448/C1	1100+	48"	6,242	7,988	9,677
JCIH454/C1		54"	6,624	8,523	10,708
JCIH460/C1		60"	7,116	9,224	12,499
JCIH466/C1		66"	7,376	9,580	13,001

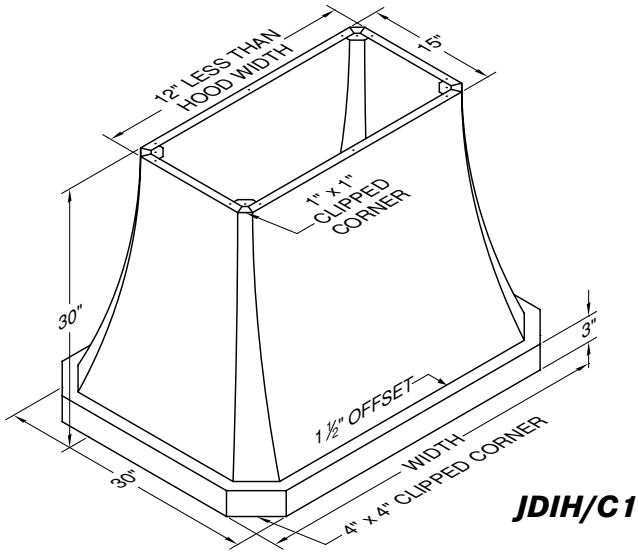
• FOR OVERLAY HOODS, SPECIFY INTERIOR COLOR
 *VP565 TRANSITION TO 8" ROUND INCLUDED WITH 550 CFM MODELS
 +VP564 TRANSITION TO 12" ROUND INCLUDED WITH 1100 CFM MODELS



DUCT COVERS FOR JCIH/C1

Model No.	Width	Height	Painted	Stainless	Overlay
IDCC4-18/12	18"	12"	1,283	1,335	1,450
IDCC4-18/24		24"	1,426	1,515	1,758
IDCC4-24/12	24"	12"	1,335	1,386	1,553
IDCC4-24/24		24"	1,515	1,630	1,963
IDCC4-30/12	30"	12"	1,373	1,450	1,656
IDCC4-30/24		24"	1,605	1,758	2,170
IDCC4-36/12	36"	12"	1,426	1,515	1,758
IDCC4-36/24		24"	1,695	1,874	2,363
IDCC4-42/12	42"	12"	1,464	1,579	1,861
IDCC4-42/24		24"	1,785	2,002	2,568
IDCC4-48/12	48"	12"	1,515	1,630	1,963
IDCC4-48/24		24"	1,874	2,118	2,773

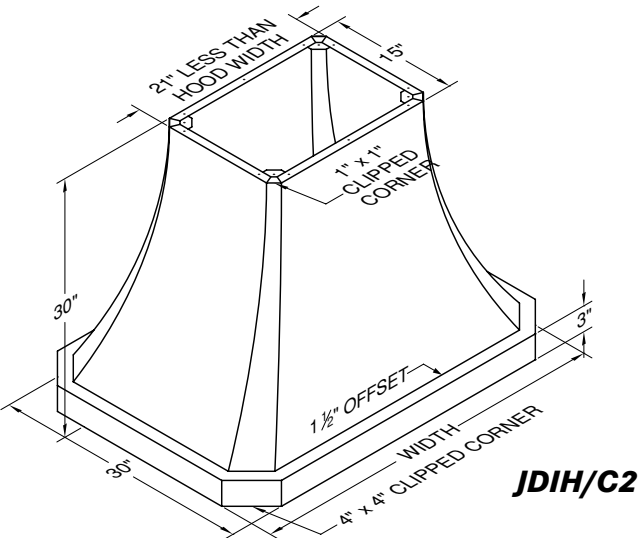
JDIH/C1 & JDIH/C2 DESIGNER SERIES ISLAND RANGE



JDIH/C1

Model No.	CFM	Width	Painted	Stainless	Overlay*
JDIH236/C1	550*	36"	5,053	6,396	8,395
JDIH242/C1		42"	5,272	6,714	8,816
JDIH248/C1		48"	5,449	6,973	8,883
JDIH254/C1		54"	5,831	7,509	9,915
JDIH448/C1	1100+	48"	6,242	7,988	9,677
JDIH454/C1		54"	6,624	8,523	10,708
JDIH460/C1		60"	7,116	9,224	12,499
JDIH466/C1		66"	7,376	9,580	13,001

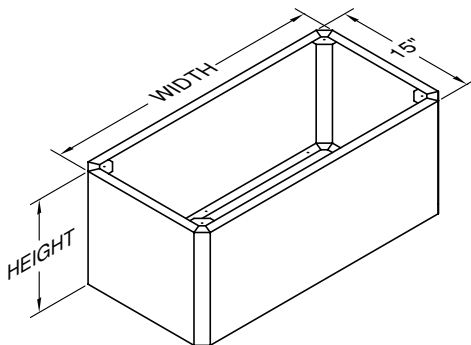
*FOR OVERLAY HOODS, SPECIFY INTERIOR COLOR
 *VP565 TRANSITION TO 8" ROUND INCLUDED WITH 550 CFM MODELS
 +VP564 TRANSITION TO 12" ROUND INCLUDED WITH 1100 CFM MODELS



JDIH/C2

Model No.	CFM	Width	Painted	Stainless	Overlay*
JDIH236/C2	550*	36"	5,053	6,396	8,395
JDIH242/C2		42"	5,272	6,714	8,816
JDIH248/C2		48"	5,449	6,973	8,883
JDIH254/C2		54"	5,831	7,509	9,915
JDIH448/C2	1100+	48"	6,242	7,988	9,677
JDIH454/C2		54"	6,624	8,523	10,708
JDIH460/C2		60"	7,116	9,224	12,499
JDIH466/C2		66"	7,376	9,580	13,001

*FOR OVERLAY HOODS, SPECIFY INTERIOR COLOR
 *VP565 TRANSITION TO 8" ROUND INCLUDED WITH 550 CFM MODELS
 +VP564 TRANSITION TO 12" ROUND INCLUDED WITH 1100 CFM MODELS
 •REFERENCE PAGE 43 FOR PRODUCT PICTURE
 AND AS SEEN IN LITERATURE PRICING

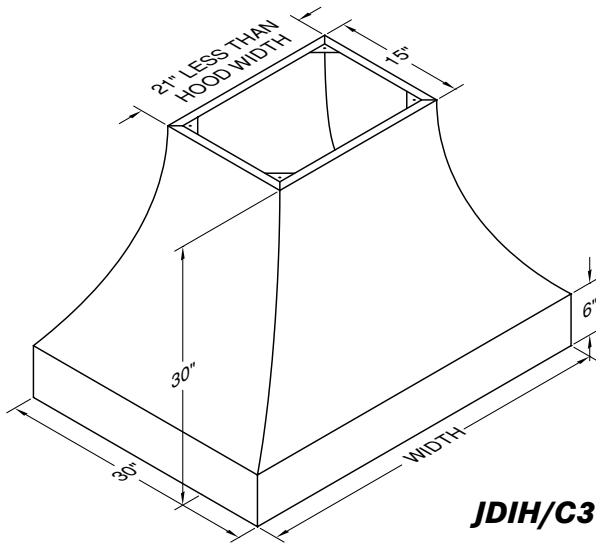


DUCT COVERS FOR JDIH/C1 & JDIH/C2

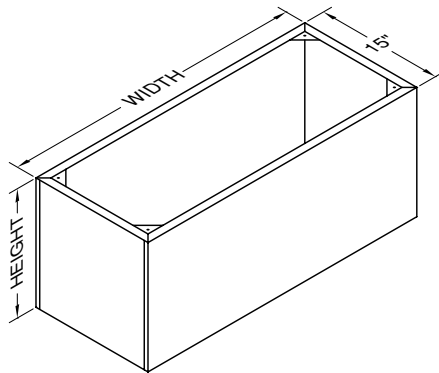
Model No.	Width	Height	Painted	Stainless	Overlay
IDCC1-15/12	15"	12"	1,258	1,296	1,400
IDCC1-15/24		24"	1,373	1,450	1,656
IDCC1-21/12	21"	12"	1,310	1,361	1,503
IDCC1-21/24		24"	1,464	1,579	1,861
IDCC1-24/12	24"	12"	1,335	1,386	1,553
IDCC1-24/24		24"	1,515	1,630	1,963
IDCC1-27/12	27"	12"	1,348	1,426	1,605
IDCC1-27/24		24"	1,553	1,695	2,066
IDCC1-30/12	30"	12"	1,373	1,450	1,656
IDCC1-30/24		24"	1,605	1,758	2,170
IDCC1-33/12	33"	12"	1,400	1,476	1,708
IDCC1-33/24		24"	1,643	1,823	2,259
IDCC1-36/12	36"	12"	1,426	1,515	1,758
IDCC1-36/24		24"	1,695	1,874	2,363
IDCC1-39/12	39"	12"	1,438	1,541	1,811
IDCC1-39/24		24"	1,733	1,938	2,465
IDCC1-42/12	42"	12"	1,464	1,579	1,861
IDCC1-42/24		24"	1,785	2,002	2,568
IDCC1-45/12	45"	12"	1,488	1,605	1,913
IDCC1-45/24		24"	1,823	2,066	2,671
IDCC1-48/12	48"	12"	1,515	1,630	1,963
IDCC1-48/24		24"	1,874	2,118	2,773
IDCC1-54/12	54"	12"	1,553	1,695	2,066
IDCC1-54/24		24"	1,963	2,246	2,979

*TRIM REQUIRED ON MODELS EXCEEDING 35" WIDTH AND 30" HEIGHT

JDIH/C3 DESIGNER SERIES ISLAND RANGE HOOD



JDIH/C3



JDIH/C3

Model No.	CFM	Width	Painted	Stainless	Overlay*
JDIH236/C3	550*	36"	5,053	6,396	8,395
JDIH242/C3		42"	5,272	6,714	8,816
JDIH248/C3		48"	5,449	6,973	8,883
JDIH254/C3		54"	5,831	7,509	9,915
JDIH448/C3	1100+	48"	6,242	7,988	9,677
JDIH454/C3		54"	6,624	8,523	10,708
JDIH460/C3		60"	7,116	9,224	12,499
JDIH466/C3		66"	7,376	9,580	13,001

*FOR OVERLAY HOODS, SPECIFY INTERIOR COLOR
 *VP565 TRANSITION TO 8" ROUND INCLUDED WITH 550 CFM MODELS
 +VP564 TRANSITION TO 12" ROUND INCLUDED WITH 1100 CFM MODELS

IDCRND FOR JDIH/C3

Model No.	Width	Height	Painted	Stainless	Overlay
IDCRND-15/12	15"	12"	501	540	643
IDCRND-15/24		24"	616	693	898
IDCRND-21/12	21"	12"	556	612	752
IDCRND-21/24		24"	715	826	1,109
IDCRND-27/12	27"	12"	600	673	856
IDCRND-27/24		24"	805	950	1,313
IDCRND-33/12	33"	12"	647	735	958
IDCRND-33/24		24"	896	1,073	1,516
IDCRND-39/12	39"	12"	692	795	1,058
IDCRND-39/24		24"	987	1,196	1,719
IDCRND-45/12	45"	12"	737	858	1,160
IDCRND-45/24		24"	1,078	1,317	1,922
CUSTOM	WIDTH X HEIGHT X PLUS		0.64	0.85	1.42
			398		

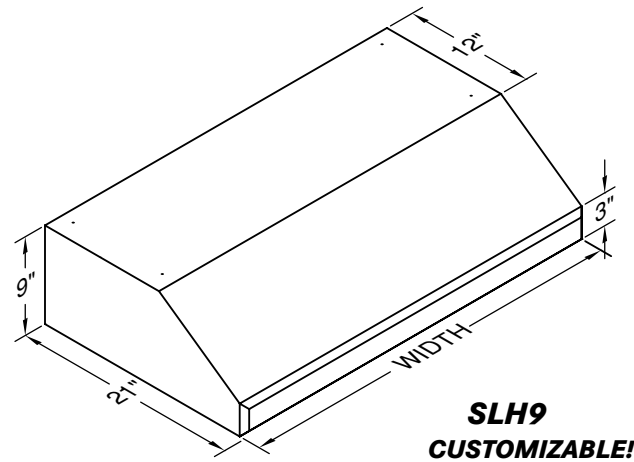
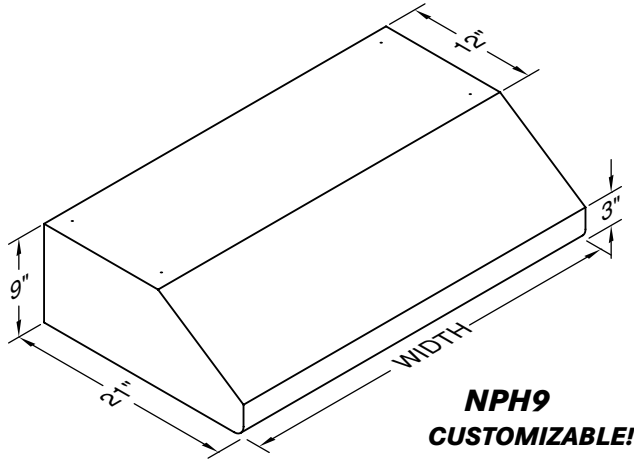
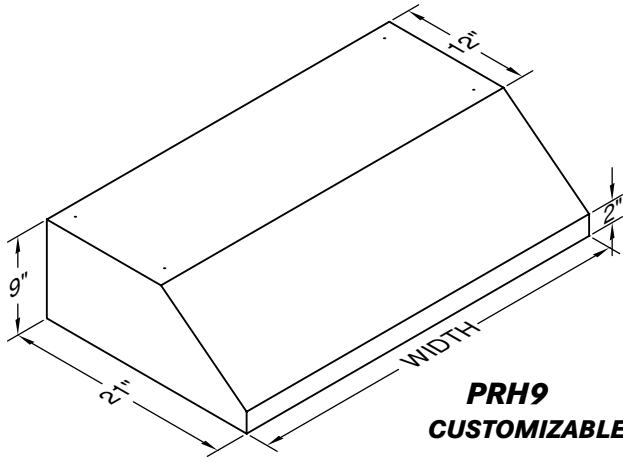
JDIH/C2 AS SEEN IN ADVERTISING LITERATURE



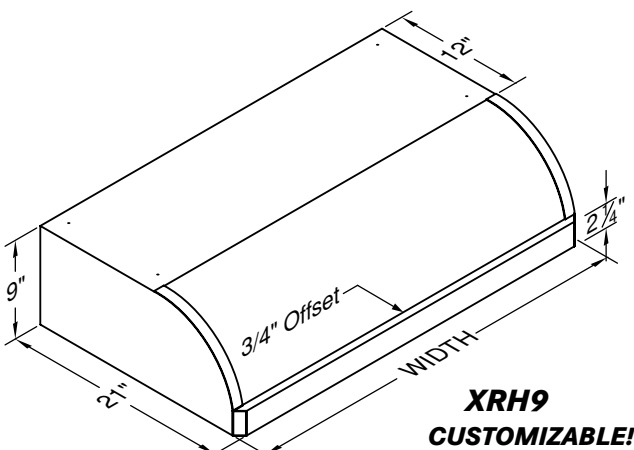
CFM	WIDTH					
	36"	42"	48"	54"	60"	66"
550 CFM	10,503	11,036	11,214	12,358		
1100 CFM			12,008	13,151	15,054	15,668

Priced as shown with antiqued hammered copper finish and copper rail.

UNDER CABINET



STOCK ITEMS LOCATED ON PAGE 13.



PRH9

Model No.	CFM	Width	Painted	Stainless	Overlay*
PRH9-130	300	30"	859	1,091	1,657
PRH9-136		36"	859	1,091	1,657
PRH9-142		42"	1,022	1,254	1,869
PRH9-148		48"	1,074	1,307	1,922
PRH9-230	600	30"	1,235	1,500	2,030
PRH9-236		36"	1,235	1,500	2,030
PRH9-242		42"	1,396	1,663	2,243
PRH9-248		48"	1,447	1,715	2,296
PRH9-342	900	42"	1,792	2,152	2,640
PRH9-348		48"	1,844	2,205	2,692
PRH9-448	1200	48"	2,218	2,613	3,066

- FOR OVERLAY MODELS, SPECIFY INTERIOR COLOR.
- FOR VARIATIONS SEE PAGE 45
- USE VP562 TRANSITION (OPTIONAL) ON 900 CFM MODELS TO COMBINE OUTLETS INTO SINGLE 10" DUCT.
- USE VP563 TRANSITION (OPTIONAL) ON 1200 CFM MODELS TO COMBINE OUTLETS INTO A SINGLE 12" DUCT

NPH9

Model No.	CFM	Width	Painted	Stainless	Overlay*
NPH9-130	300	30"	1,042	1,375	2,034
NPH9-136		36"	1,042	1,375	2,034
NPH9-142		42"	1,255	1,616	2,325
NPH9-148		48"	1,318	1,681	2,403
NPH9-230	600	30"	1,415	1,784	2,408
NPH9-236		36"	1,415	1,784	2,408
NPH9-242		42"	1,628	2,024	2,698
NPH9-248		48"	1,692	2,090	2,776
NPH9-342	900	42"	2,025	2,514	3,095
NPH9-348		48"	2,089	2,579	3,173
NPH9-448	1200	48"	2,462	2,988	3,546

- FOR OVERLAY MODELS, SPECIFY INTERIOR COLOR.
- FOR VARIATIONS SEE PAGE 45
- USE VP562 TRANSITION (OPTIONAL) ON 900 CFM MODELS TO COMBINE OUTLETS INTO SINGLE 10" DUCT.
- USE VP563 TRANSITION (OPTIONAL) ON 1200 CFM MODELS TO COMBINE OUTLETS INTO A SINGLE 12" DUCT

SLH9

Model No.	CFM	Width	Painted	Stainless	Overlay*
SLH9-130	300	30"	1,042	1,375	2,034
SLH9-136		36"	1,042	1,375	2,034
SLH9-142		42"	1,255	1,616	2,325
SLH9-148		48"	1,318	1,681	2,403
SLH9-230	600	30"	1,415	1,784	2,408
SLH9-236		36"	1,415	1,784	2,408
SLH9-242		42"	1,628	2,024	2,698
SLH9-248		48"	1,692	2,090	2,776
SLH9-342	900	42"	2,025	2,514	3,095
SLH9-348		48"	2,089	2,579	3,173
SLH9-448	1200	48"	2,462	2,988	3,546

- FOR OVERLAY MODELS, SPECIFY INTERIOR COLOR.
- FOR VARIATIONS SEE PAGE 45
- USE VP562 TRANSITION (OPTIONAL) ON 900 CFM MODELS TO COMBINE OUTLETS INTO SINGLE 10" DUCT.
- USE VP563 TRANSITION (OPTIONAL) ON 1200 CFM MODELS TO COMBINE OUTLETS INTO A SINGLE 12" DUCT

XRH9

Model No.	CFM	Width	Painted	Stainless	Overlay*
XRH9-130	300	30"	1,091	1,446	2,143
XRH9-136		36"	1,091	1,446	2,143
XRH9-142		42"	1,283	1,655	2,375
XRH9-148		48"	1,351	1,722	2,454
XRH9-230	600	30"	1,465	1,856	2,517
XRH9-236		36"	1,465	1,856	2,517
XRH9-242		42"	1,657	2,063	2,749
XRH9-248		48"	1,724	2,131	2,828
XRH9-342	900	42"	2,054	2,553	3,146
XRH9-348		48"	2,122	2,620	3,225
XRH9-448	1200	48"	2,495	3,029	3,598

- FOR OVERLAY MODELS, SPECIFY INTERIOR COLOR.
- THERE ARE NO STANDARD BANDS ON OVERLAY MODELS.
- 1" SS BANDS INCLUDED ON PAINTED AND STAINLESS MODELS.
- FOR VARIATIONS SEE PAGE 45
- USE VP562 TRANSITION (OPTIONAL) ON 900 CFM MODELS TO COMBINE OUTLETS INTO SINGLE 10" DUCT.
- USE VP563 TRANSITION (OPTIONAL) ON 1200 CFM MODELS TO COMBINE OUTLETS INTO A SINGLE 12" DUCT

UNDER CABINET

CLH9

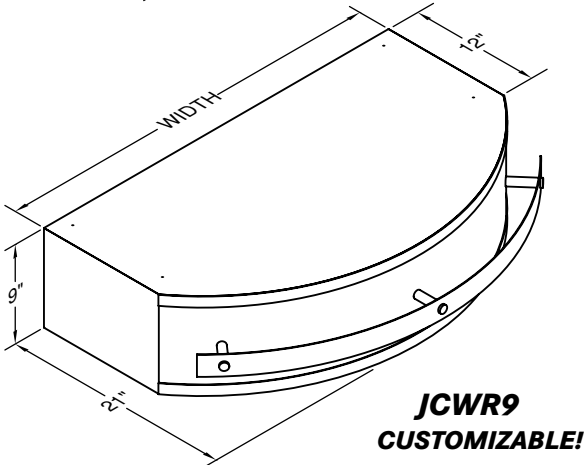
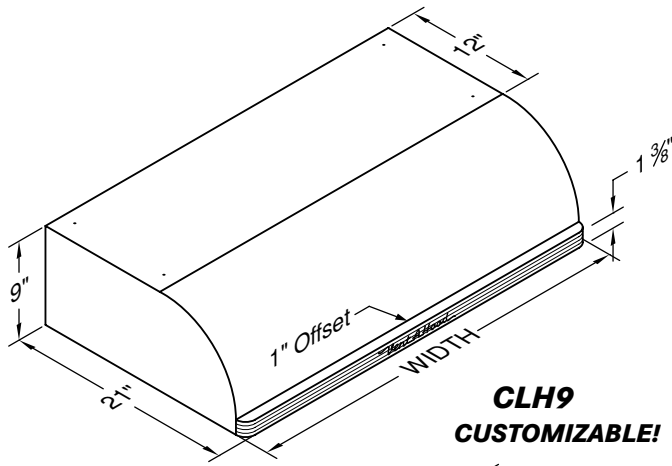
Model No.	CFM	Width	Painted
CLH9-130	300	30"	1,091
CLH9-136		36"	1,091
CLH9-142		42"	1,283
CLH9-148		48"	1,351
CLH9-230	600	30"	1,465
CLH9-236		36"	1,465
CLH9-242		42"	1,657
CLH9-248		48"	1,724
CLH9-342	900	42"	2,054
CLH9-348		48"	2,122
CLH9-448	1200	48"	2,495

- FOR VARIATIONS SEE BELOW
- USE VP562 TRANSITION (OPTIONAL) ON 900 CFM MODELS TO COMBINE OUTLETS INTO SINGLE 10" DUCT.
- USE VP563 TRANSITION (OPTIONAL) ON 1200 CFM MODELS TO COMBINE OUTLETS INTO A SINGLE 12" DUCT

JCWR9

Model No.	CFM	Width	Stainless
JCWR9-130	300	30"	1,890
JCWR9-136		36"	1,902
JCWR9-142		42"	2,123
JCWR9-148		48"	2,203
JCWR9-230	600	30"	2,262
JCWR9-236		36"	2,276
JCWR9-242		42"	2,496
JCWR9-248		48"	2,576
JCWR9-342	900	42"	2,892
JCWR9-348		48"	2,973
JCWR9-448	1200	48"	3,346

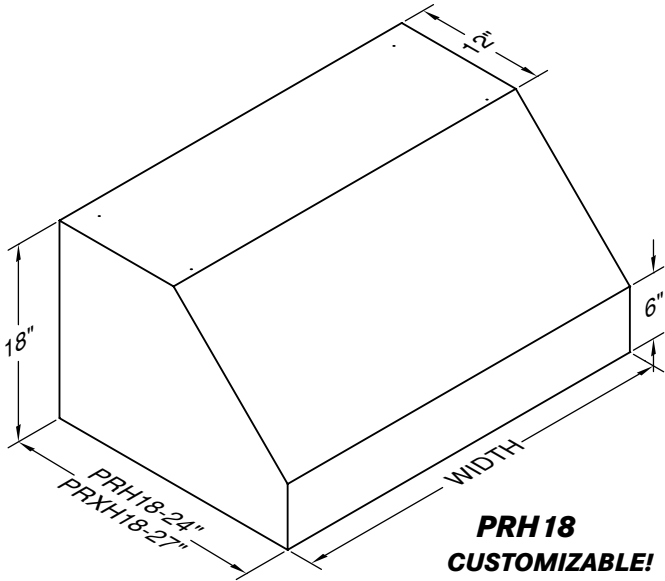
- FOR VARIATIONS SEE BELOW
- USE VP562 TRANSITION (OPTIONAL) ON 900 CFM MODELS TO COMBINE OUTLETS INTO SINGLE 10" DUCT.
- USE VP563 TRANSITION (OPTIONAL) ON 1200 CFM MODELS TO COMBINE OUTLETS INTO A SINGLE 12" DUCT



9" TALL UNDER CABINET VARIATIONS

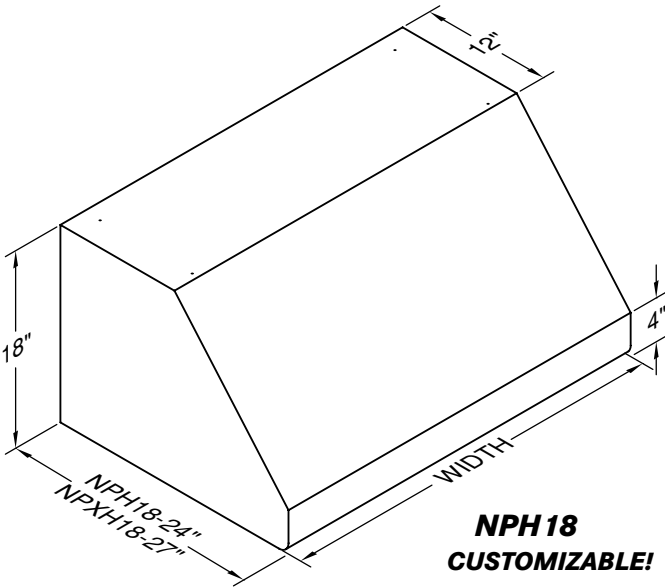
9" TALL UNDER CABINET VARIATIONS			
WIDTHS OVER 48"			
	PAINTED	STAINLESS	OVERLAY
FOR EACH 6" INCREMENT PLUS	142	193 233	231
SPECIAL WIDTH (LESS THAN 48")			
USE NEXT LARGEST SIZE ON PRICE LIST, PLUS		233	
STAINLESS STEEL INTERIOR ON OVERLAY HOOD			
SUBTRACT PAINTED HOOD PRICE FROM STAINLESS HOOD PRICE			
CUSTOM COLOR (SEE CUSTOM COLOR CHART)			
ADD		700	
			SPECIAL BLOWER LOCATION
			LEFT TO RIGHT, SPECIFY COLLAR CENTERLINE
			ADD 233
			REMOTE BLOWER OPTIONS
			SEE PAGES 46-47 FOR REMOTE BLOWER OPTIONS
			TRIM OPTIONS
			XR HOOD TRIM, NON-STANDARD COLOR 115
			XR HOOD TRIM, REMOVE 115
			SEE PAGES 52-53 FOR FINISH AND TRIM OPTIONS
			WARMING LAMPS AND SHELVES
			SEE PAGES 49 FOR WARMING LAMP AND SHELF OPTIONS

WALL MOUNT RANGE HOODS

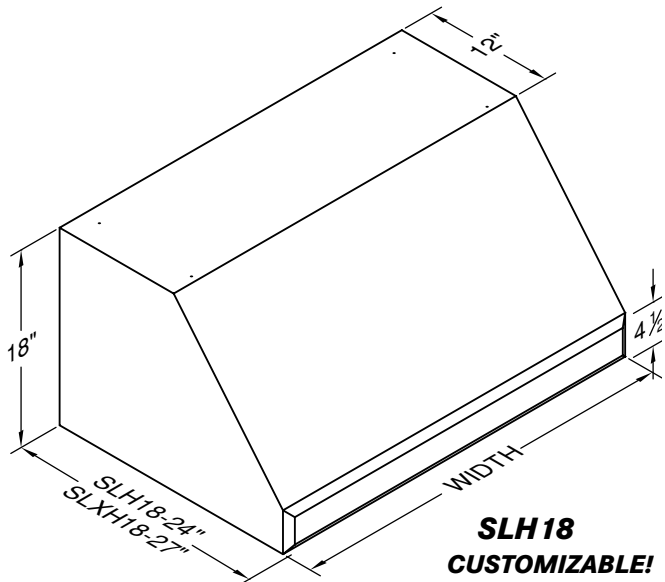


**PRH 18
CUSTOMIZABLE!**

STOCK ITEMS LOCATED ON PAGE 18, 19 AND 25.



**NPH 18
CUSTOMIZABLE!**



**SLH 18
CUSTOMIZABLE!**

PRH 18/PRXH 18

Model No.	CFM	Width	Painted	Stainless	Overlay*
PRH 18-130	300	30"	1,258	1,723	2,599
PRH 18-136		36"	1,282	1,748	2,710
PRH 18-142		42"	1,465	1,906	2,992
PRH 18-148		48"	1,540	2,018	3,142
PRH 18-230	600	30"	1,632	2,132	2,972
PRH 18-236		36"	1,656	2,156	3,083
PRH 18-242		42"	1,838	2,313	3,366
PRH 18-248		48"	1,976	2,426	3,514
PRH 18-254	900	54"	2,244	2,930	4,108
PRH 18-342		42"	2,234	2,804	3,763
PRH 18-348		48"	2,309	2,916	3,912
PRH 18-354		54"	2,641	3,421	4,504
PRH 18-360	1200	60"	2,852	3,707	4,864
PRH 18-448		48"	2,683	3,324	4,285
PRH 18-454		54"	3,014	3,829	4,876
PRH 18-460		60"	3,226	4,116	5,238
PRH 18-466		66"	3,362	4,201	5,522

USE PRXH 18 MODEL NUMBER PREFIX FOR 27" DEPTH PROJECTION.
 *FOR OVERLAY MODELS, SPECIFY INTERIOR COLOR.
 • FOR VARIATIONS SEE PAGE 48
 • USE VP562 TRANSITION (OPTIONAL) ON 900 CFM MODELS TO COMBINE OUTLETS INTO SINGLE 10" DUCT.
 • USE VP563 TRANSITION (OPTIONAL) ON 1200 CFM MODELS TO COMBINE OUTLETS INTO A SINGLE 12" DUCT

NPH 18/NPXH 18

Model No.	CFM	Width	Painted	Stainless	Overlay*
NPH 18-130	300	30"	1,680	2,194	3,021
NPH 18-136		36"	1,706	2,220	3,133
NPH 18-142		42"	1,950	2,390	3,414
NPH 18-148		48"	1,961	2,488	3,561
NPH 18-230	600	30"	2,054	2,604	3,394
NPH 18-236		36"	2,078	2,629	3,505
NPH 18-242		42"	2,261	2,799	3,787
NPH 18-248		48"	2,335	2,896	3,936
NPH 18-254	900	54"	2,667	3,354	4,529
NPH 18-342		42"	2,657	3,289	4,185
NPH 18-348		48"	2,732	3,387	4,332
NPH 18-354		54"	3,063	3,844	4,926
NPH 18-360	1200	60"	3,274	4,128	5,298
NPH 18-448		48"	3,105	3,797	4,706
NPH 18-454		54"	3,436	4,252	5,299
NPH 18-460		60"	3,648	4,537	5,672
NPH 18-466		66"	3,798	4,710	5,945

USE NPXH 18 MODEL NUMBER PREFIX FOR 27" DEPTH PROJECTION.
 *FOR OVERLAY MODELS, SPECIFY INTERIOR COLOR.
 • FOR VARIATIONS SEE PAGE 48

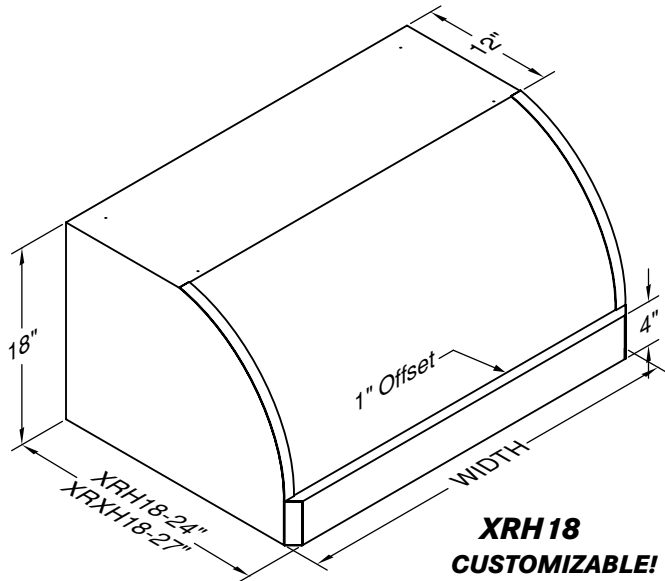
SLH 18/SLXH 18

Model No.	CFM	Width	Painted	Stainless	Overlay*
SLH 18-130	300	30"	1,680	2,194	3,021
SLH 18-136		36"	1,706	2,220	3,133
SLH 18-142		42"	1,950	2,390	3,414
SLH 18-148		48"	1,961	2,488	3,561
SLH 18-230	600	30"	2,054	2,604	3,394
SLH 18-236		36"	2,078	2,629	3,505
SLH 18-242		42"	2,261	2,799	3,787
SLH 18-248		48"	2,335	2,896	3,936
SLH 18-254	900	54"	2,667	3,354	4,529
SLH 18-342		42"	2,657	3,289	4,185
SLH 18-348		48"	2,732	3,387	4,332
SLH 18-354		54"	3,063	3,844	4,926
SLH 18-360	1200	60"	3,274	4,128	5,298
SLH 18-448		48"	3,105	3,797	4,706
SLH 18-454		54"	3,436	4,252	5,299
SLH 18-460		60"	3,648	4,537	5,672
SLH 18-466		66"	3,798	4,710	5,945

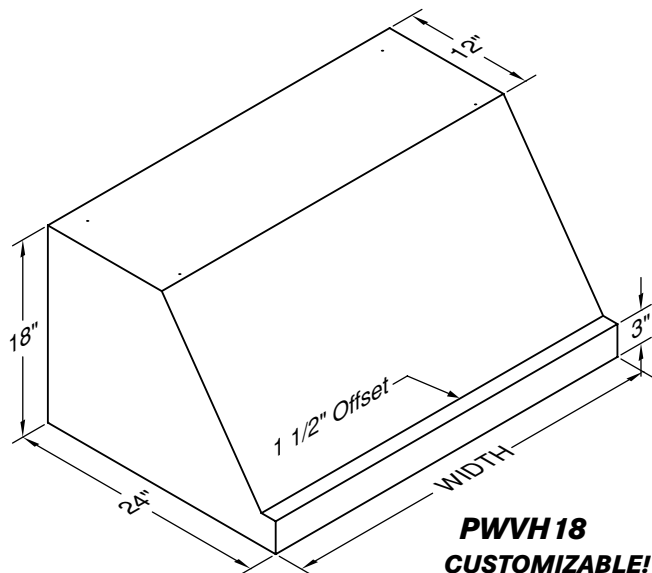
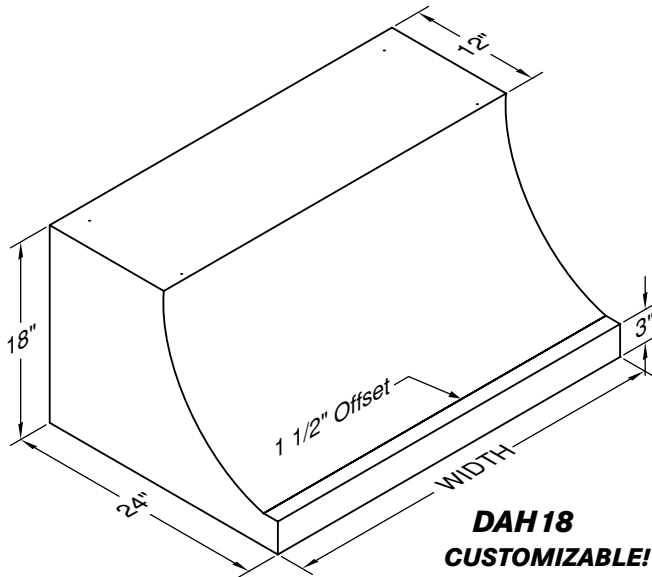
USE SLXH 18 MODEL NUMBER PREFIX FOR 27" DEPTH PROJECTION.
 *FOR OVERLAY MODELS, SPECIFY INTERIOR COLOR.
 • FOR VARIATIONS SEE PAGE 48

WALL MOUNT RANGE HOODS

Vent Hood®



STOCK ITEMS LOCATED ON PAGE 15, 20 AND 24.



XRH18/XXRH18

Model No.	CFM	Width	Painted	Stainless	Overlay*
XRH18-130	300	30"	1,680	2,194	3,021
XRH18-136		36"	1,706	2,220	3,133
XRH18-142		42"	1,950	2,390	3,414
XRH18-148		48"	1,961	2,488	3,561
XRH18-230	600	30"	2,054	2,604	3,394
XRH18-236		36"	2,078	2,629	3,505
XRH18-242		42"	2,261	2,799	3,787
XRH18-248		48"	2,335	2,896	3,936
XRH18-254	900	54"	2,667	3,354	4,529
XRH18-342		42"	2,657	3,289	4,185
XRH18-348		48"	2,732	3,387	4,332
XRH18-354		54"	3,063	3,844	4,926
XRH18-360	1200	60"	3,274	4,128	5,298
XRH18-448		48"	3,105	3,797	4,706
XRH18-454		54"	3,436	4,252	5,299
XRH18-460		60"	3,648	4,537	5,672
XRH18-466		66"	3,798	4,710	5,945

USE XXRH18 MODEL NUMBER PREFIX FOR 27" DEPTH PROJECTION.
 * FOR OVERLAY MODELS, SPECIFY INTERIOR COLOR.
 • THERE ARE NO STANDARD BANDS ON OVERLAY MODELS.
 * 1" SS BANDS INCLUDED ON PAINTED AND STAINLESS MODELS.
 • FOR VARIATIONS SEE PAGE 48

DAH 18

Model No.	CFM	Width	Painted	Stainless	Overlay*
DAH18-130	300	30"	1,927	2,471	3,340
DAH18-136		36"	1,966	2,510	3,457
DAH18-142		42"	2,153	2,673	3,748
DAH18-148		48"	2,244	2,790	3,904
DAH18-230	600	30"	2,300	2,879	3,713
DAH18-236		36"	2,338	2,918	3,830
DAH18-242		42"	2,527	3,081	4,122
DAH18-248		48"	2,617	3,198	4,278
DAH18-254	900	54"	2,948	3,673	4,894
DAH18-342		42"	2,923	3,571	4,519
DAH18-348		48"	3,014	3,688	4,674
DAH18-354		54"	3,344	4,163	5,290
DAH18-360	1200	60"	3,566	4,463	5,666
DAH18-448		48"	3,388	4,096	5,048
DAH18-454		54"	3,718	4,572	5,664
DAH18-460		60"	3,939	4,871	6,039
DAH18-466		66"	4,081	5,055	6,338

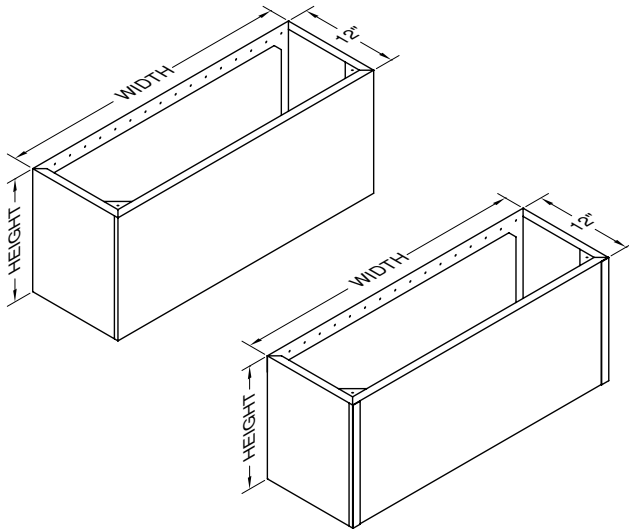
* FOR OVERLAY MODELS, SPECIFY INTERIOR COLOR.
 • FOR VARIATIONS SEE PAGE 48

PWVH 18

Model No.	CFM	Width	Painted	Stainless	Overlay*
PWVH18-130	300	30"	1,927	2,471	3,340
PWVH18-136		36"	1,966	2,510	3,457
PWVH18-142		42"	2,153	2,673	3,748
PWVH18-148		48"	2,244	2,790	3,904
PWVH18-230	600	30"	2,300	2,879	3,713
PWVH18-236		36"	2,338	2,918	3,830
PWVH18-242		42"	2,527	3,081	4,122
PWVH18-248		48"	2,617	3,198	4,278
PWVH18-254	900	54"	2,948	3,673	4,894
PWVH18-342		42"	2,923	3,571	4,519
PWVH18-348		48"	3,014	3,688	4,674
PWVH18-354		54"	3,344	4,163	5,290
PWVH18-360	1200	60"	3,566	4,463	5,666
PWVH18-448		48"	3,388	4,096	5,048
PWVH18-454		54"	3,718	4,572	5,664
PWVH18-460		60"	3,939	4,871	6,039
PWVH18-466		66"	4,081	5,055	6,338

* FOR OVERLAY MODELS, SPECIFY INTERIOR COLOR.
 • FOR VARIATIONS SEE PAGE 48

WALL MOUNT RANGE HOOD DUCT COVERS & VARIATIONS



WDCRND/XDCRND

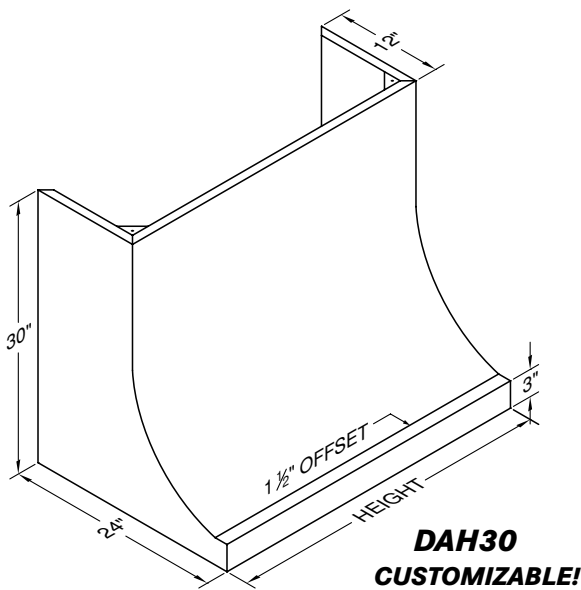
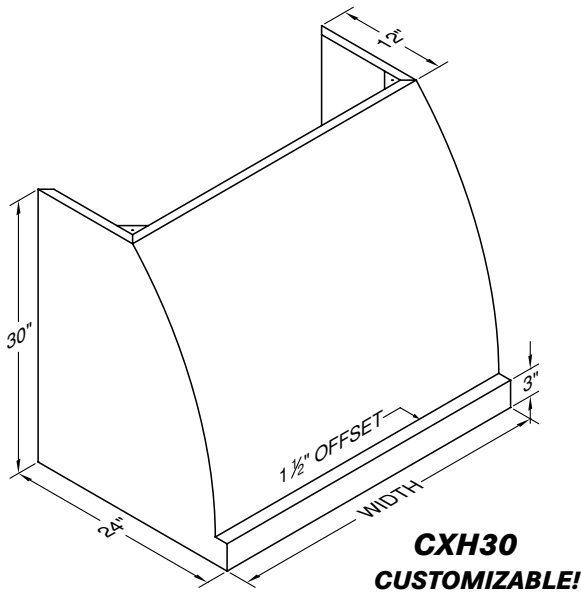
Model No.	Width	Height	Painted	Stainless	Overlay
WDCRND-30		12"	565	667	822
WDCRND-30/24	30"	24"	745	937	1,258
WDCRND-30/36		36"	911	1,220	1,681
WDCRND-36		12"	604	718	911
WDCRND-36/24	36"	24"	809	1,053	1,426
WDCRND-36/36		36"	1,027	1,386	1,938
WDCRND-42		12"	643	783	988
WDCRND-42/24	42"	24"	886	1,168	1,592
WDCRND-42/36		36"	1,130	1,553	2,195
WDCRND-48		12"	667	834	1,078
WDCRND-48/24	48"	24"	950	1,271	1,772
WDCRND-48/36		36"	1,233	1,708	2,451
WDCRND-54	54"	12"	706	886	1,168
WDCRND-60	60"	12"	745	937	1,258
WDCRND-66	66"	12"	783	1,001	1,335
CUSTOM	WIDTH X HEIGHT X		0.48	0.77	1.21
	PLUS			398	

USE XDCRND MODEL NUMBER PREFIX FOR XRH18/XRXH18 HOODS.
 1" SS BANDS INCLUDED ON PAINTED AND STAINLESS XDCRND MODELS.
 •FOR VARIATIONS SEE BELOW

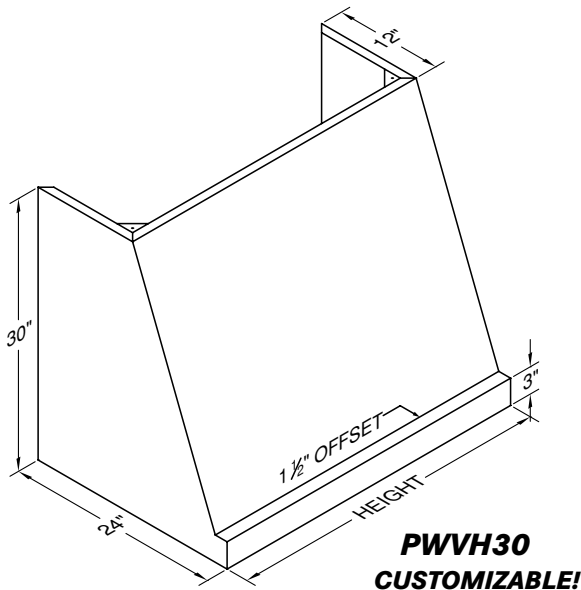
18" & 30" TALL WALL MOUNT HOOD VARIATIONS

WIDTHS OVER 66"				CONCAVE, CONVEX, SLOPED END (NON-OVERLAY SL MODELS)
FOR EACH 6" INCREMENT	PAINTED 180	STAINLESS 258	OVERLAY 320	TOP WIDTH REDUCED BY 6" EACH. PER END, ADD 398
PLUS		233		CLIPPED CORNER (NON-NP/SL/XR MODELS)
				PER CORNER, ADD 398
SPECIAL WIDTH (LESS THAN 66")				SPECIAL BLOWER LOCATION
USE NEXT LARGEST SIZE ON PRICE LIST,				LEFT TO RIGHT, SPECIFY COLLAR CENTERLINE
PLUS		233		ADD 233
HEIGHT OVER 30" (30" TALL HOODS ONLY)				SPECIAL DECK (9" MINIMUM)
WIDTH X EXTRA HEIGHT X	PAINTED 1.14	STAINLESS 1.69	OVERLAY 2.3	ADD 233
PLUS		398		STAINLESS STEEL INTERIOR ON OVERLAY HOOD
				SUBTRACT PAINTED HOOD PRICE FROM STAINLESS HOOD PRICE
SPECIAL HEIGHT (LESS THAN STANDARD HOOD HEIGHT)				ADDITIONAL BLOWERS & LIGHTS
USE STANDARD HOOD PRICE,				SEE PAGE 46 FOR BLOWER OPTIONS
PLUS		398		REMOTE BLOWER OPTIONS
				SEE PAGES 46-47 FOR REMOTE BLOWER OPTIONS
DEPTH OVER 24" (EXCLUDING 27" WHERE APPLICABLE)				CUSTOM COLOR (SEE CUSTOM COLOR CHART)
WIDTH X EXTRA DEPTH X	PAINTED 1.14	STAINLESS 1.69	OVERLAY 2.3	ADD 700
PLUS		398		TRIM OPTIONS
				XR HOOD TRIM, NON-STANDARD COLOR 115
SPECIAL DEPTH (LESS THAN 24")				XR HOOD TRIM, REMOVE 115
USE STANDARD HOOD PRICE,		398		SEE PAGES 52-53 FOR FINISH AND TRIM OPTIONS
PLUS				WARMING LAMPS AND SHELVES
SLOPE, LIP, OFFSET, OR TOP VARIATION				SEE PAGES 49 FOR WARMING LAMP AND SHELF OPTIONS
PER VARIATION, ADD		398		

WALL MOUNT RANGE HOODS



STOCK ITEMS LOCATED ON PAGE 16 AND 17.



CXH30

Model No.	CFM	Width	Painted	Stainless	Overlay*
CXH30-130	300	30"	2,526	3,410	4,794
CXH30-136		36"	2,659	3,597	5,141
CXH30-142		42"	2,946	3,937	5,679
CXH30-148		48"	3,134	4,179	6,080
CXH30-230	600	30"	2,899	3,818	5,168
CXH30-236		36"	3,033	4,006	5,515
CXH30-242		42"	3,319	4,346	6,053
CXH30-248		48"	3,507	4,588	6,454
CXH30-254	900	54"	4,021	5,317	7,431
CXH30-342		42"	3,716	4,835	6,450
CXH30-348		48"	3,904	5,078	6,851
CXH30-354		54"	4,419	5,806	7,828
CXH30-360	1200	60"	4,768	6,275	8,470
CXH30-448		48"	4,278	5,486	7,224
CXH30-454		54"	4,792	6,215	8,202
CXH30-460		60"	5,141	6,684	8,842
CXH30-466		66"	5,395	7,033	9,388

- FOR OVERLAY MODELS, SPECIFY INTERIOR COLOR.
- FOR VARIATIONS SEE PAGE 50
- USE VP562 TRANSITION (OPTIONAL) ON 900 CFM MODELS TO COMBINE OUTLETS INTO SINGLE 10" DUCT.
- USE VP563 TRANSITION (OPTIONAL) ON 1200 CFM MODELS TO COMBINE OUTLETS INTO A SINGLE 12" DUCT

DAH30

Model No.	CFM	Width	Painted	Stainless	Overlay*
DAH30-130	300	30"	2,526	3,410	4,794
DAH30-136		36"	2,659	3,597	5,141
DAH30-142		42"	2,946	3,937	5,679
DAH30-148		48"	3,134	4,179	6,080
DAH30-230	600	30"	2,899	3,818	5,168
DAH30-236		36"	3,033	4,006	5,515
DAH30-242		42"	3,319	4,346	6,053
DAH30-248		48"	3,507	4,588	6,454
DAH30-254	900	54"	4,021	5,317	7,431
DAH30-342		42"	3,716	4,835	6,450
DAH30-348		48"	3,904	5,078	6,851
DAH30-354		54"	4,419	5,806	7,828
DAH30-360	1200	60"	4,768	6,275	8,470
DAH30-448		48"	4,278	5,486	7,224
DAH30-454		54"	4,792	6,215	8,202
DAH30-460		60"	5,141	6,684	8,842
DAH30-466		66"	5,395	7,033	9,388

- FOR OVERLAY MODELS, SPECIFY INTERIOR COLOR.
- FOR VARIATIONS SEE PAGE 50
- USE VP562 TRANSITION (OPTIONAL) ON 900 CFM MODELS TO COMBINE OUTLETS INTO SINGLE 10" DUCT.
- USE VP563 TRANSITION (OPTIONAL) ON 1200 CFM MODELS TO COMBINE OUTLETS INTO A SINGLE 12" DUCT

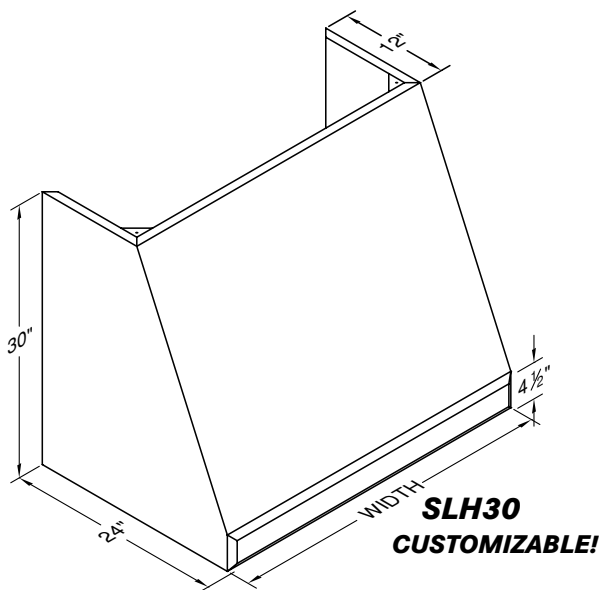
PWVH30

Model No.	CFM	Width	Painted	Stainless	Overlay*
PWVH30-130	300	30"	2,526	3,410	4,794
PWVH30-136		36"	2,659	3,597	5,141
PWVH30-142		42"	2,946	3,937	5,679
PWVH30-148		48"	3,134	4,179	6,080
PWVH30-230	600	30"	2,899	3,818	5,168
PWVH30-236		36"	3,033	4,006	5,515
PWVH30-242		42"	3,319	4,346	6,053
PWVH30-248		48"	3,507	4,588	6,454
PWVH30-254	900	54"	4,021	5,317	7,431
PWVH30-342		42"	3,716	4,835	6,450
PWVH30-348		48"	3,904	5,078	6,851
PWVH30-354		54"	4,419	5,806	7,828
PWVH30-360	1200	60"	4,768	6,275	8,470
PWVH30-448		48"	4,278	5,486	7,224
PWVH30-454		54"	4,792	6,215	8,202
PWVH30-460		60"	5,141	6,684	8,842
PWVH30-466		66"	5,395	7,033	9,388

- FOR OVERLAY MODELS, SPECIFY INTERIOR COLOR.
- FOR VARIATIONS SEE PAGE 50
- USE VP562 TRANSITION (OPTIONAL) ON 900 CFM MODELS TO COMBINE OUTLETS INTO SINGLE 10" DUCT.
- USE VP563 TRANSITION (OPTIONAL) ON 1200 CFM MODELS TO COMBINE OUTLETS INTO A SINGLE 12" DUCT

WALL MOUNT RANGE HOOD DUCT COVERS & VARIATIONS

SLH30



Model No.	CFM	Width	Painted	Stainless	Overlay*
SLH30-130	300	30"	2,526	3,410	4,794
SLH30-136		36"	2,659	3,597	5,141
SLH30-142		42"	2,946	3,937	5,679
SLH30-148		48"	3,134	4,179	6,080
SLH30-230	600	30"	2,899	3,818	5,168
SLH30-236		36"	3,033	4,006	5,515
SLH30-242		42"	3,319	4,346	6,053
SLH30-248		48"	3,507	4,588	6,454
SLH30-254	900	54"	4,021	5,317	7,431
SLH30-342		42"	3,716	4,835	6,450
SLH30-348		48"	3,904	5,078	6,851
SLH30-354		54"	4,419	5,806	7,828
SLH30-360	1200	60"	4,768	6,275	8,470
SLH30-448		48"	4,278	5,486	7,224
SLH30-454		54"	4,792	6,215	8,202
SLH30-460		60"	5,141	6,684	8,842
SLH30-466		66"	5,395	7,033	9,388

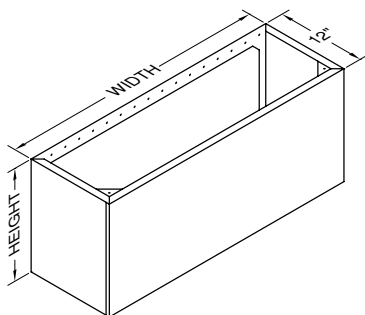
* FOR OVERLAY MODELS, SPECIFY INTERIOR COLOR.

• FOR VARIATIONS SEE BELOW

• USE VP562 TRANSITION (OPTIONAL) ON 900 CFM MODELS TO COMBINE OUTLETS INTO SINGLE 10" DUCT.

• USE VP563 TRANSITION (OPTIONAL) ON 1200 CFM MODELS TO COMBINE OUTLETS INTO A SINGLE 12" DUCT

WDCRND

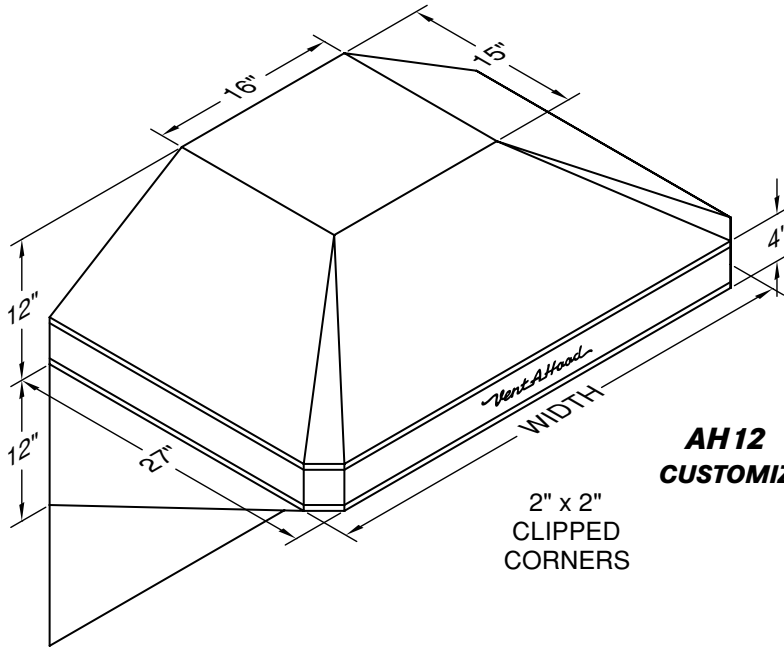


Model No.	Width	Height	Painted	Stainless	Overlay
WDCRND-30	30"	12"	565	667	822
WDCRND-30/24		24"	745	937	1,258
WDCRND-30/36		36"	911	1,220	1,681
WDCRND-36	36"	12"	604	718	911
WDCRND-36/24		24"	809	1,053	1,426
WDCRND-36/36		36"	1,027	1,386	1,938
WDCRND-42	42"	12"	643	783	988
WDCRND-42/24		24"	886	1,168	1,592
WDCRND-42/36		36"	1,130	1,553	2,195
WDCRND-48	48"	12"	667	834	1,078
WDCRND-48/24		24"	950	1,271	1,772
WDCRND-48/36		36"	1,233	1,708	2,451
WDCRND-54	54"	12"	706	886	1,168
WDCRND-60	60"	12"	745	937	1,258
WDCRND-66	66"	12"	783	1,001	1,335
CUSTOM	WIDTH X HEIGHT X PLUS		0.48	0.77	1.21
			398		

18" & 30" TALL WALL MOUNT HOOD VARIATIONS

WIDTHS OVER 66"				CONCAVE, CONVEX, SLOPED END (NON-OVERLAY SL MODELS)
	PAINTED	STAINLESS	OVERLAY	TOP WIDTH REDUCED BY 6" EACH. PER END, ADD
FOR EACH 6" INCREMENT	180	258	320	398
PLUS		233		CLIPPED CORNER (NON-NP/SL/XR MODELS)
				PER CORNER, ADD
				398
SPECIAL WIDTH (LESS THAN 66")				SPECIAL BLOWER LOCATION
USE NEXT LARGEST SIZE ON PRICE LIST,				LEFT TO RIGHT, SPECIFY COLLAR CENTERLINE
PLUS		233		ADD
				233
HEIGHT OVER 30" (30" TALL HOODS ONLY)				SPECIAL DECK (9" MINIMUM)
	PAINTED	STAINLESS	OVERLAY	ADD
WIDTH X EXTRA HEIGHT X	1.14	1.69	2.3	233
PLUS		398		STAINLESS STEEL INTERIOR ON OVERLAY HOOD
				SUBTRACT PAINTED HOOD PRICE FROM STAINLESS HOOD PRICE
SPECIAL HEIGHT (LESS THAN STANDARD HOOD HEIGHT)				ADDITIONAL BLOWERS & LIGHTS
USE STANDARD HOOD PRICE,				SEE PAGE 46 FOR BLOWER OPTIONS
PLUS		398		REMOTE BLOWER OPTIONS
				SEE PAGES 46-47 FOR REMOTE BLOWER OPTIONS
DEPTH OVER 24" (EXCLUDING 27" WHERE APPLICABLE)				CUSTOM COLOR (SEE CUSTOM COLOR CHART)
	PAINTED	STAINLESS	OVERLAY	ADD
WIDTH X EXTRA DEPTH X	1.14	1.69	2.3	700
PLUS		398		TRIM OPTIONS
				XR HOOD TRIM, NON-STANDARD COLOR
				115
SPECIAL DEPTH (LESS THAN 24")				XR HOOD TRIM, REMOVE
USE STANDARD HOOD PRICE,				115
PLUS		398		SEE PAGES 52-53 FOR FINISH AND TRIM OPTIONS
SLOPE, LIP, OFFSET, OR TOP VARIATION				WARMING LAMPS AND SHELVES
PER VARIATION, ADD		398		SEE PAGES 49 FOR WARMING LAMP AND SHELF OPTIONS

WALL MOUNT RANGE HOOD



**AH12
CUSTOMIZABLE!**

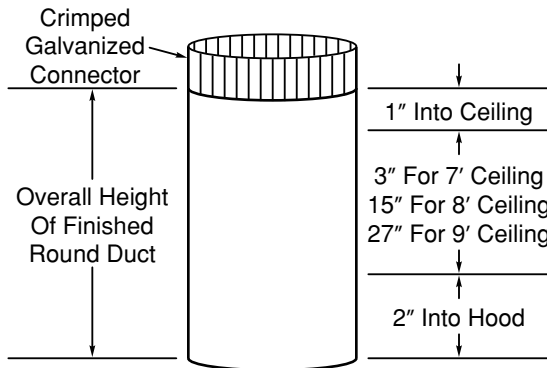
2" x 2"
CLIPPED
CORNERS

AH12

Model No.	CFM	Width	Painted
AH12-130	300	30"	1,775
AH12-136		36"	1,800
AH12-142		42"	1,993
AH12-148		48"	2,073
AH12-236	600	36"	2,174
AH12-242		42"	2,367
AH12-248		48"	2,447

HOOD INCLUDES TWO SIDE WING PANELS AND SPLASH PANEL 30" TALL X WIDTH OF HOOD.

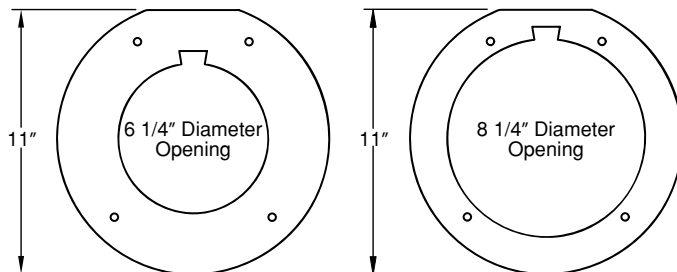
• FOR VARIATIONS SEE BELOW



FINISHED DUCTS FOR AH12

Model No.	Width	Height	Painted
ARDC-6/6	6"	6"	77
ARDC-6/18		18"	103
ARDC-6/30		30"	128
ARDC-8/6	8"	6"	77
ARDC-8/18		18"	128
ARDC-8/30		30"	155
CUSTOM	WIDTH X HEIGHT X PLUS		0.48
			398

NOTE: FINISHED ROUND DUCT EXTENDS 2" INTO TOP OF HOOD AND 1" INTO CEILING.



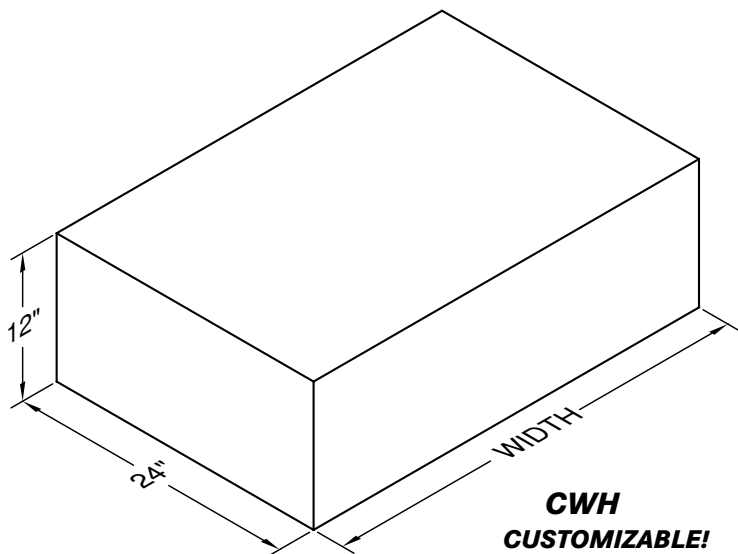
FINISHED DUCT ACCESSORIES

MODEL NO.	WIDTH	PAINTED
ARC6	6"	23
ARC8	8"	23

AH12 RETRO-STYLE WALL MOUNT HOOD VARIATIONS

SPECIAL WIDTH (LESS THAN 48") USE NEXT LARGEST SIZE ON PRICE LIST, PLUS	398	CUSTOM COLOR (SEE CUSTOM COLOR CHART) ADD	700
--	-----	---	-----

WALL MOUNT RANGE HOODS

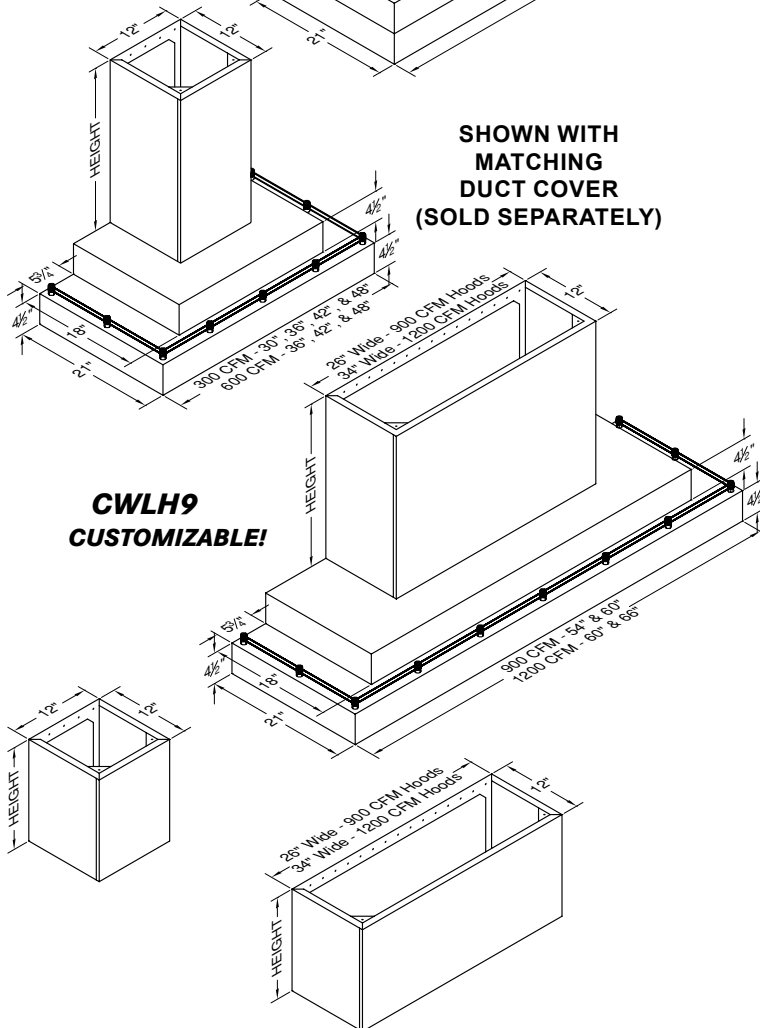
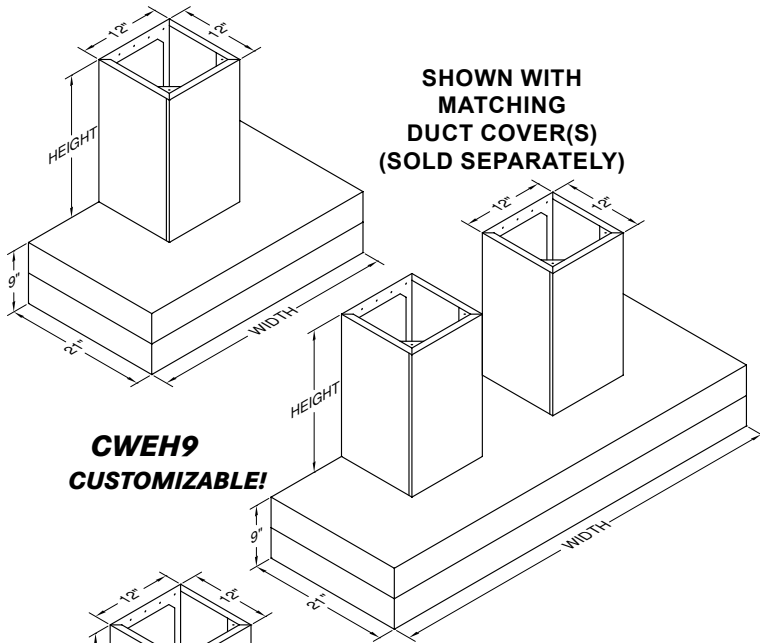


Model No.	CFM	CWH			
		Width	Painted	Stainless	Overlay*
CWH-130	300	30"	1,661	2,296	3,137
CWH-136		36"	1,686	2,335	3,263
CWH-142		42"	1,896	2,532	3,586
CWH-148		48"	1,984	2,633	3,764
CWH-230	600	30"	2,034	2,706	3,510
CWH-236		36"	2,060	2,744	3,636
CWH-242		42"	2,269	2,941	3,960
CWH-248		48"	2,358	3,041	4,136
CWH-254	900	54"	2,807	3,654	4,788
CWH-342		42"	2,667	3,430	4,357
CWH-348		48"	2,754	3,531	4,534
CWH-354		54"	3,203	4,145	5,185
CWH-360	1200	60"	3,419	4,434	5,575
CWH-448		48"	3,127	3,939	4,907
CWH-454		54"	3,577	4,553	5,559
CWH-460		60"	3,791	4,843	5,949
CWH-466		66"	3,969	5,057	6,252

- FOR OVERLAY HOODS, SPECIFY INTERIOR COLOR
- FOR VARIATIONS SEE BELOW
- USE VP562 TRANSITION (OPTIONAL) ON 900 CFM MODELS TO COMBINE OUTLETS INTO SINGLE 10" DUCT.
- USE VP563 TRANSITION (OPTIONAL) ON 1200 CFM MODELS TO COMBINE OUTLETS INTO A SINGLE 12" DUCT
- FOR VARIATIONS SEE BELOW

CWH WALL MOUNT HOOD VARIATIONS					
WIDTHS OVER 66"		PAINTED	STAINLESS	OVERLAY	ROUNDED CORNER NO OFFSETS OR LIP, MINIMUM 4 INCH RADIUS PER CORNER, ADD 450
FOR EACH 6" INCREMENT PLUS		180	258 233	320	
SPECIAL WIDTH (LESS THAN 66") USE NEXT LARGEST SIZE ON PRICE LIST, PLUS			233		SPECIAL BLOWER LOCATION LEFT TO RIGHT, SPECIFY COLLAR CENTERLINE ADD 233
SPECIAL HEIGHT (BETWEEN 9" & 12") USE STANDARD PRICE, PLUS			398		SPECIAL DECK (9" MINIMUM) ADD 233
HEIGHT OVER 12"		PAINTED	STAINLESS	OVERLAY	STAINLESS STEEL INTERIOR ON OVERLAY HOOD SUBTRACT PAINTED HOOD PRICE FROM STAINLESS HOOD PRICE
WIDTH X EXTRA HEIGHT X PLUS		1.14	1.69 398	2.30	ADDITIONAL BLOWERS & LIGHTS SEE PAGE 46 FOR BLOWER OPTIONS
DEPTH LESS THAN 24" ADD			398		REMOTE BLOWER OPTIONS SEE PAGES 46-47 FOR REMOTE BLOWER OPTIONS
DEPTH OVER 24"		PAINTED	STAINLESS	OVERLAY	CUSTOM COLOR (SEE CUSTOM COLOR CHART) ADD 700
WIDTH X EXTRA DEPTH X PLUS		1.14	1.69 398	2.30	TRIM OPTIONS SEE PAGES 52-53 FOR FINISH AND TRIM OPTIONS
LIP AND OFFSET 1, 2 OR 3 SIDES, ADD			398		WARMING LAMPS AND SHELVES SEE PAGES 49 FOR WARMING LAMP AND SHELF OPTIONS

CONTEMPORARY WALL MOUNT RANGE HOODS



CWEH9				
Model No.	CFM	Width	Painted	Stainless
CWEH9-130	300	30"	1,694	2,355
CWEH9-136		36"	1,719	2,393
CWEH9-142		42"	1,933	2,595
CWEH9-148		48"	2,034	2,699
CWEH9-230	600	30"	2,066	2,762
CWEH9-236		36"	2,093	2,801
CWEH9-242		42"	2,306	3,002
CWEH9-248		48"	2,398	3,108
CWEH9-254	900	54"	2,856	3,739
CWEH9-342		42"	2,813	3,604
CWEH9-348		48"	3,146	3,697
CWEH9-354		54"	3,376	4,368
CWEH9-360	1200	60"	3,523	4,595
CWEH9-448		48"	3,518	4,106
CWEH9-454		54"	3,749	4,777
CWEH9-460		60"	3,895	5,004
CWEH9-466		66"	4,081	5,229

• FOR VARIATIONS SEE BELOW

CWLH9				
Model No.	CFM	Width	Painted	Stainless
CWLH9-130	300	30"	1,657	2,300
CWLH9-136		36"	1,670	2,312
CWLH9-142		42"	1,922	2,577
CWLH9-148	600	48"	2,013	2,681
CWLH9-236		36"	2,044	2,721
CWLH9-242		42"	2,296	2,986
CWLH9-248	900	48"	2,385	3,089
CWLH9-354		54"	3,371	4,359
CWLH9-360		60"	3,527	4,581
CWLH9-460	1200	60"	3,900	4,989
CWLH9-466		66"	4,004	5,134

- FOR VARIATIONS SEE BELOW
- USE VP562 TRANSITION (OPTIONAL) ON 900 CFM MODELS TO COMBINE OUTLETS INTO SINGLE 10" DUCT.
- USE VP563 TRANSITION (OPTIONAL) ON 1200 CFM MODELS TO COMBINE OUTLETS INTO A SINGLE 12" DUCT

WDCRND FOR CWEH9/CWLH9

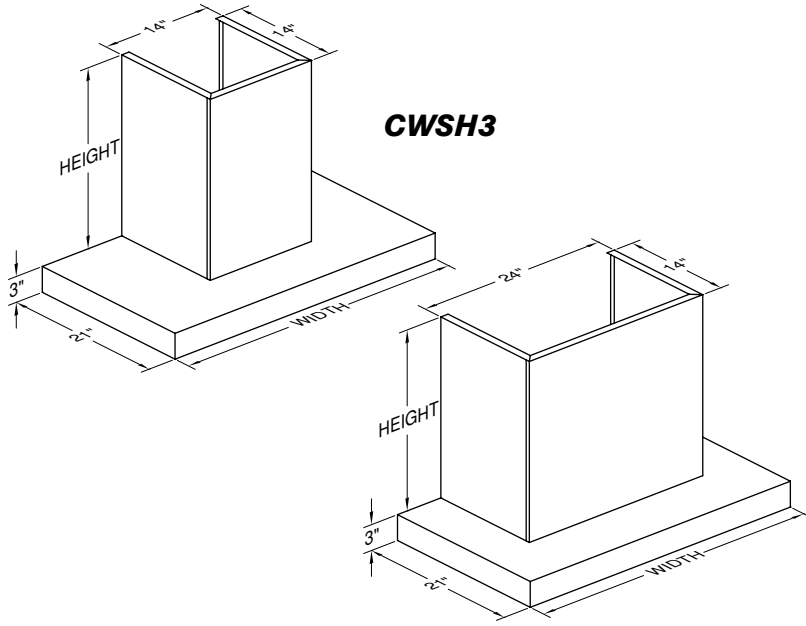
Model No.	Width	Height	Painted	Stainless
WDCRND-12/12	12"	12"	462	501
WDCRND-12/24		24"	527	616
WDCRND-12/36		36"	604	718
WSDCRND-26/12	26"	12"	552	629
WSDCRND-26/24		24"	693	872
WSDCRND-26/36		36"	848	1,103
WDCRND-34/12	34"	12"	590	706
WDCRND-34/24		24"	795	1,015
WDCRND-34/36		36"	988	1,335
CUSTOM	WIDTH X HEIGHT X PLUS		0.48	0.77
			398	

26" AND 34" DUCT COVERS FOR USE ON MATCHING CWLH9 MODELS.

STOCK ITEMS LOCATED ON PAGE 18.

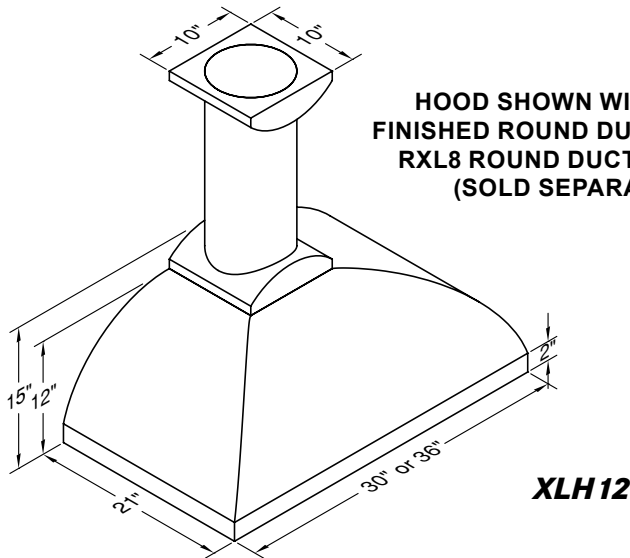
CWEH9/CWLH9 VARIATIONS				
WIDTHS OVER 66"	PAINTED	STAINLESS	SPECIAL WIDTH (LESS THAN 66")	
	FOR EACH 6" INCREMENT PLUS	180	258	USE NEXT LARGEST SIZE ON PRICE LIST, PLUS
		233	233	
			REMOVE GALLEY RAIL (CWLH9 ONLY)	
			TO REMOVE RAIL, NO CHARGE	

CONTEMPORARY WALL MOUNT RANGE HOODS



CWSH3				
Model No.	CFM	Width	Stainless	Ceiling
CWSH3-1/030-21	300	30"	2,847	7'
CWSH3-1/030-33		30"	2,963	8'
CWSH3-1/036-21		36"	2,847	7'
CWSH3-1/036-33		36"	2,963	8'
CWSH3-1/042-21		42"	3,069	7'
CWSH3-1/042-33		42"	3,186	8'
CWSH3-2/030-21	600	30"	3,816	7'
CWSH3-2/030-33		30"	4,025	8'
CWSH3-2/036-21		36"	3,816	7'
CWSH3-2/036-33		36"	4,025	8'
CWSH3-2/042-21		42"	4,038	7'
CWSH3-2/042-33		42"	4,248	8'

CONTEMPORARY WALL MOUNT RANGE HOODS

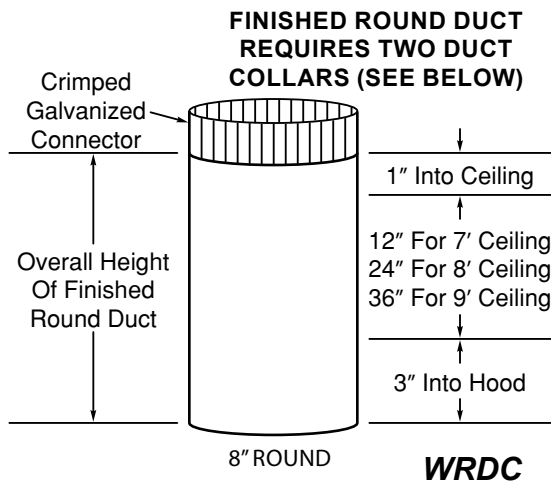


HOOD SHOWN WITH WRDC FINISHED ROUND DUCT AND TWO RXL8 ROUND DUCT COLLARS (SOLD SEPARATELY)

XLH12

XLH12

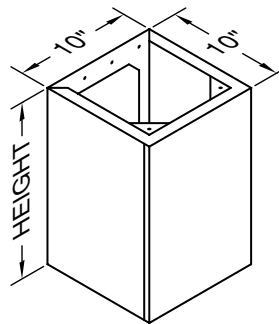
Model No.	CFM	Width	Stainless
BRASS LIP			
XLH12-230B	600	30"	2,303
XLH12-236B		36"	2,330
COPPER LIP			
XLH12-230C	600	30"	2,303
XLH12-236C		36"	2,330
MIRROR STAINLESS STEEL LIP			
XLH12-230M	600	30"	2,303
XLH12-236M		36"	2,330
STAINLESS STEEL LIP			
XLH12-230S	600	30"	2,303
XLH12-236S		36"	2,330



FINISHED ROUND DUCT REQUIRES TWO DUCT COLLARS (SEE BELOW)

8" ROUND

WRDC

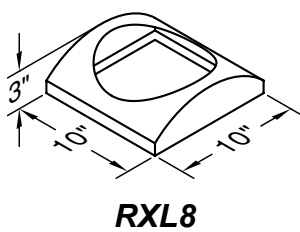


WDCRND

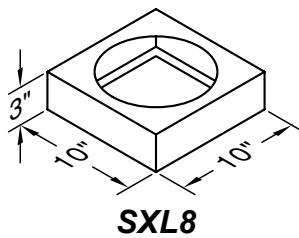
DUCT COVERS FOR XLH12

Model No.	Width	Height	Stainless
WDCRND-10/12	10"	12"	475
WDCRND-10/24		24"	565
WDCRND-10/36	10"	36"	655
WRDC-8/16	8"	16"	320
WRDC-8/28		28"	398
WRDC-8/40		40"	462
CUSTOM	WIDTH X HEIGHT X PLUS		0.77
			398

WRDC EXTENDS 3" INTO TOP OF HOOD AND 1" INTO CEILING.



RXL8



SXL8

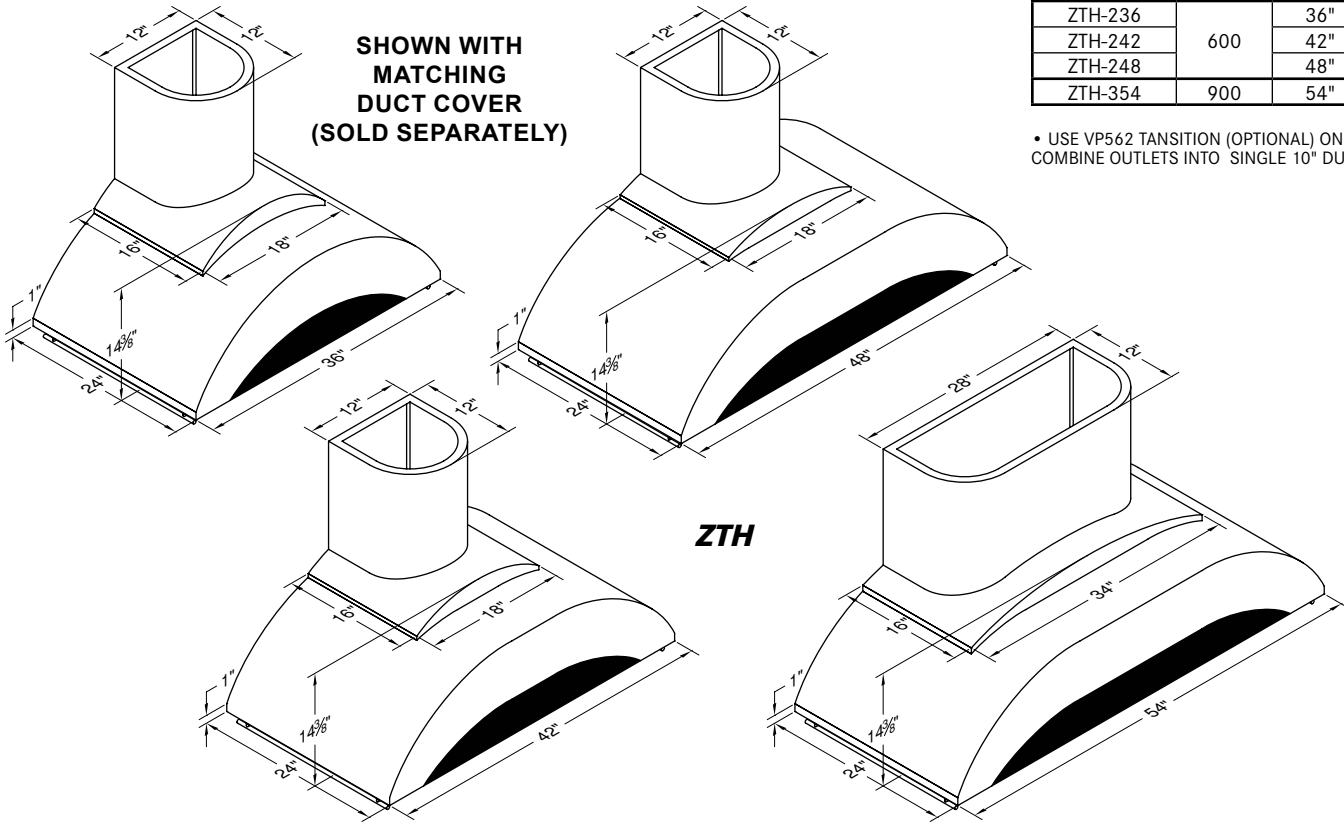
WRDC COLLARS

Model No.	Width	Height	Stainless
RXL8	10"	3"	231
SXL8	10"	3"	142

CONTEMPORARY WALL MOUNT

ZTH

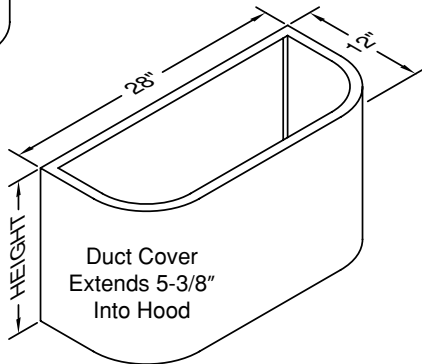
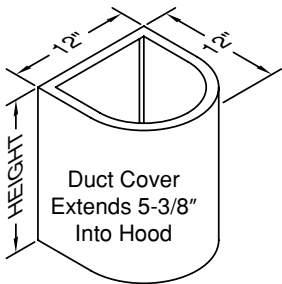
**SHOWN WITH
MATCHING
DUCT COVER
(SOLD SEPARATELY)**



Model No.	CFM	Width	Stainless
ZTH-236	600	36"	3,678
ZTH-242		42"	3,846
ZTH-248		48"	3,950
ZTH-354	900	54"	5,746

• USE VP562 TRANSITION (OPTIONAL) ON 900 CFM MODELS TO COMBINE OUTLETS INTO SINGLE 10" DUCT.

ZTH VARIATIONS	
REMOVE FIXED LENGTH SS RAIL	
ADD	233

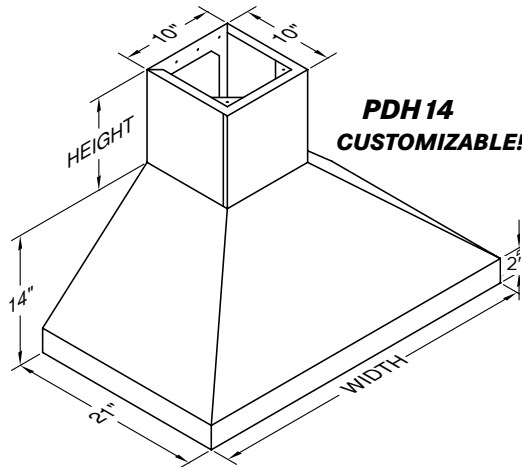


DUCT COVERS FOR ZTH

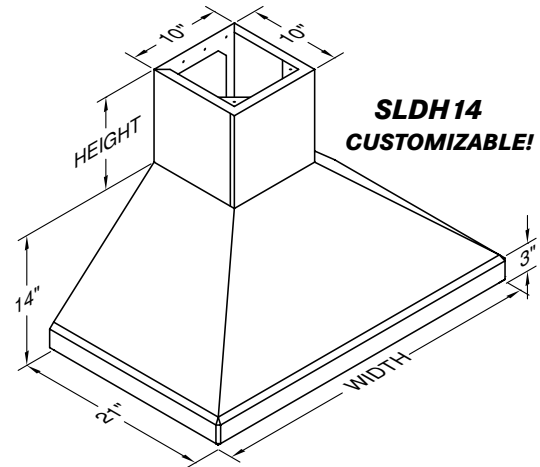
Model No.	Width	Height	Stainless
WZDC-12/9	12"	9"	462
WZDC-12/21		21"	565
WZDC-12/33		33"	680
WZDC-28/9	28"	9"	565
WZDC-28/21		21"	822
WZDC-28/33		33"	1,065
CUSTOM	WIDTH X HEIGHT X PLUS		0.77 398

STOCK ITEMS LOCATED ON PAGE 18.

EURO-STYLE WALL MOUNT & VARIATIONS



PDH 14
CUSTOMIZABLE!



SLDH 14
CUSTOMIZABLE!

PDH 14

Model No.	CFM	Width	Painted	Stainless	Overlay*
PDH 14-130	300	30"	1,605	2,221	3,289
PDH 14-136		36"	1,642	2,259	3,428
PDH 14-142		42"	1,826	2,443	3,764
PDH 14-148		48"	1,901	2,532	3,953
PDH 14-236	600	36"	2,016	2,668	3,802
PDH 14-242		42"	2,200	2,851	4,136
PDH 14-248		48"	2,274	2,941	4,326

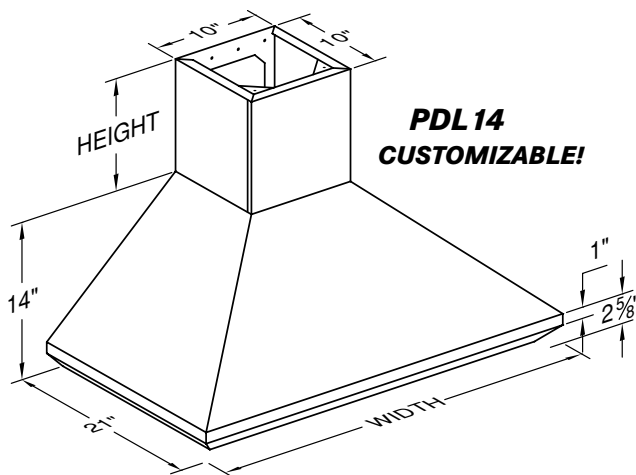
• FOR OVERLAY MODELS, SPECIFY INTERIOR COLOR.
• FOR VARIATIONS SEE BELOW

SLDH 14

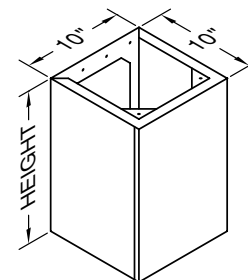
Model No.	CFM	Width	Painted	Stainless
SLDH 14-130	300	30"	2,021	2,654
SLDH 14-136		36"	2,060	2,692
SLDH 14-142		42"	2,311	2,972
SLDH 14-148		48"	2,403	3,076
SLDH 14-236	600	36"	2,434	3,102
SLDH 14-242		42"	2,685	3,380
SLDH 14-248		48"	2,776	3,484

• FOR VARIATIONS SEE BELOW

STOCK ITEMS LOCATED ON PAGE 21.



PDL 14
CUSTOMIZABLE!



PDL 14

Model No.	CFM	Width	Painted	Stainless	Overlay*
PDL 14-130	300	30"	1,605	2,221	3,289
PDL 14-136		36"	1,642	2,259	3,428
PDL 14-142		42"	1,826	2,443	3,764
PDL 14-148		48"	1,901	2,532	3,953
PDL 14-236	600	36"	2,016	2,668	3,802
PDL 14-242		42"	2,200	2,851	4,136
PDL 14-248		48"	2,274	2,941	4,326

• FOR OVERLAY MODELS, SPECIFY INTERIOR COLOR.
• FOR VARIATIONS SEE BELOW

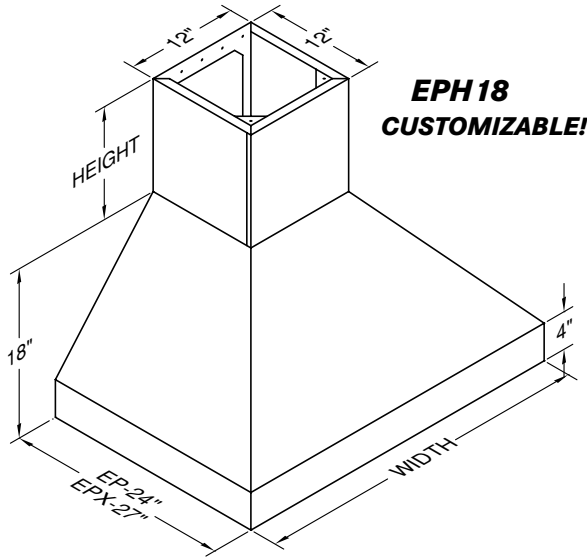
14" TALL EURO-STYLE WALL MOUNT DUCT COVERS

Model No.	Width	Height	Painted	Stainless	Overlay
WDCRND-10/10	10"	10"	437	475	513
WDCRND-10/22		22"	501	565	655
WDCRND-10/34		34"	565	655	795
CUSTOM	WIDTH X HEIGHT X PLUS		0.48	0.77	1.21
			398		

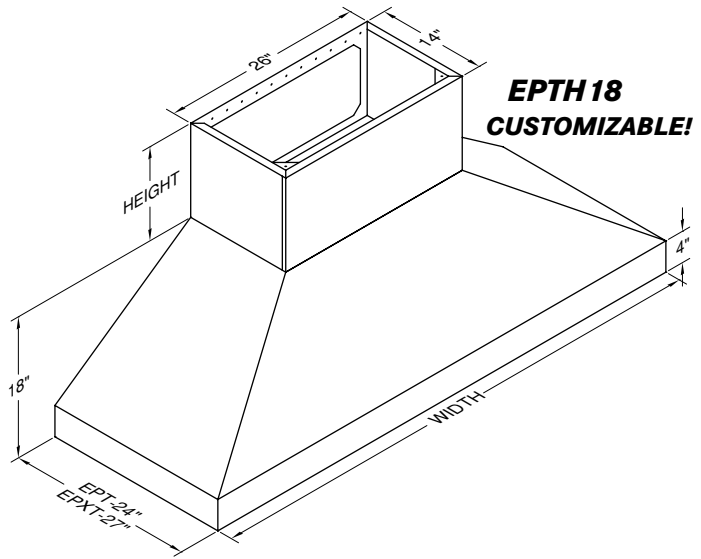
14" TALL WALL EURO-STYLE MOUNT HOOD VARIATIONS

SPECIAL WIDTH (LESS THAN 48") USE NEXT LARGEST SIZE ON PRICE LIST, PLUS	233			STAINLESS STEEL INTERIOR ON OVERLAY HOOD SUBTRACT PAINTED HOOD PRICE FROM STAINLESS HOOD PRICE
DEPTH OVER 21"	PAINTED	STAINLESS	OVERLAY	CUSTOM COLOR (SEE CUSTOM COLOR CHART) ADD
WIDTH X EXTRA DEPTH X PLUS	1.14	1.69	2.3	700
TRIM OPTIONS SEE PAGES 52-53 FOR FINISH AND TRIM OPTIONS				

EURO-STYLE WALL MOUNT RANGE HOODS



**EPH18
CUSTOMIZABLE!**



**EPTH18
CUSTOMIZABLE!**

EPH18/EPXH18

Model No.	CFM	Width	Painted	Stainless	Overlay*
EPH18-236	600	36"	2,473	3,126	4,350
EPH18-242		42"	2,644	3,306	4,647
EPH18-248		48"	2,814	3,500	5,016

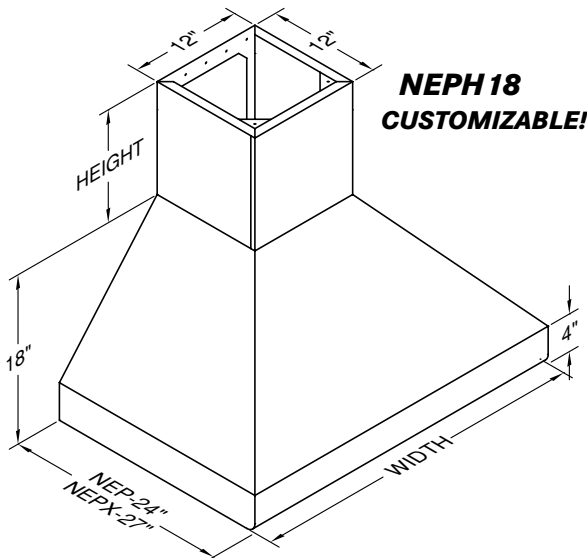
FOR 27" DEEP MODEL, ORDER EPXH18 (NO ADDITIONAL COST)
 • FOR OVERLAY MODELS, SPECIFY INTERIOR COLOR.
 • FOR VARIATIONS SEE PAGE 59

EPTH18/EPXTH18

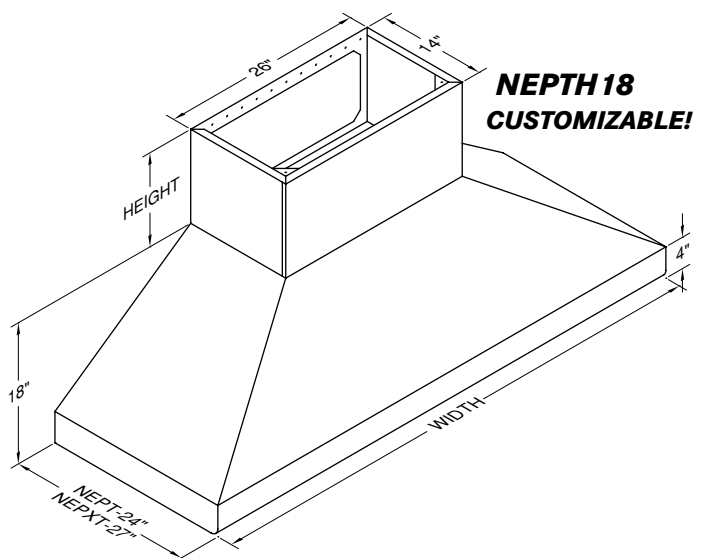
Model No.	CFM	Width	Painted	Stainless	Overlay*
EPTH18-342	900	42"	3,807	4,546	5,916
EPTH18-348		48"	3,900	4,639	6,115
EPTH18-354		54"	4,275	5,321	6,731
EPTH18-360		60"	4,445	5,560	7,048
EPTH18-366	1200	66"	4,603	5,810	7,367
EPTH18-454		54"	4,647	5,729	7,105
EPTH18-460		60"	4,819	5,968	7,422
EPTH18-466		66"	4,977	6,219	7,740

FOR 27" DEEP MODEL, ORDER EPXTH18 (NO ADDITIONAL COST)
 • FOR OVERLAY MODELS, SPECIFY INTERIOR COLOR.
 • FOR VARIATIONS SEE PAGE 59

STOCK ITEMS LOCATED ON PAGE 21-23.



**NEPH18
CUSTOMIZABLE!**



**NEPTH18
CUSTOMIZABLE!**

NEPH18/NEPXH18

Model No.	CFM	Width	Painted	Stainless	Overlay*
NEPH18-236	600	36"	2,827	3,427	4,213
NEPH18-242		42"	2,930	3,631	5,153
NEPH18-248		48"	3,108	3,776	5,219

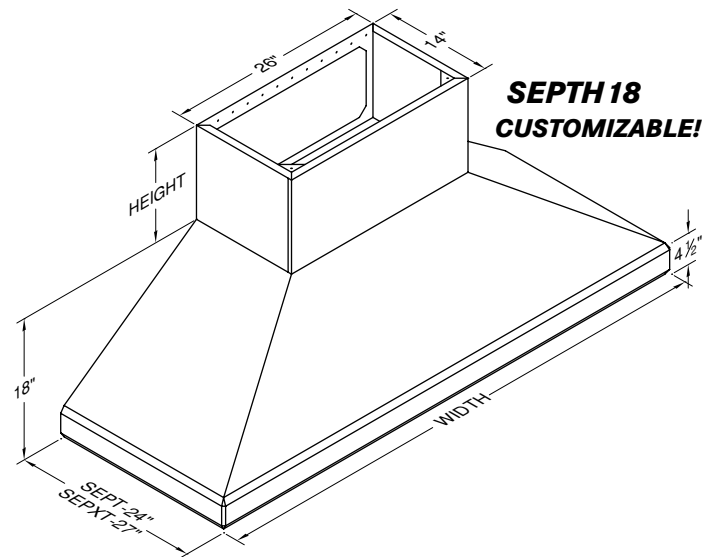
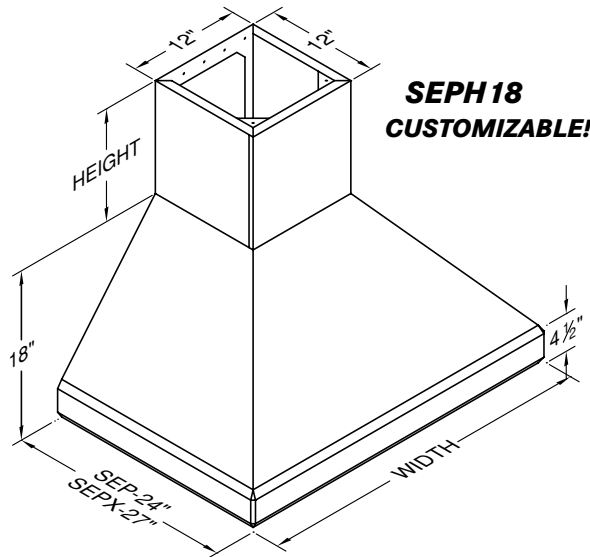
FOR 27" DEEP MODEL, ORDER NEPXH18 (NO ADDITIONAL COST)
 • FOR OVERLAY MODELS, SPECIFY INTERIOR COLOR.
 • FOR VARIATIONS SEE PAGE 59

NEPTH18/NEPXT18

Model No.	CFM	Width	Painted	Stainless	Overlay*
NEPTH18-342	900	42"	4,057	4,904	6,170
NEPTH18-348		48"	4,150	4,998	6,367
NEPTH18-354		54"	4,524	5,572	6,983
NEPTH18-360		60"	4,682	5,810	7,301
NEPTH18-366	1200	66"	4,855	6,051	7,620
NEPTH18-454		54"	4,898	5,981	7,356
NEPTH18-460		60"	5,056	6,219	7,674
NEPTH18-466		66"	5,227	6,459	7,992

FOR 27" DEEP MODEL, ORDER NEPXT18 (NO ADDITIONAL COST)
 • FOR OVERLAY MODELS, SPECIFY INTERIOR COLOR.
 • FOR VARIATIONS SEE PAGE 59

EURO-STYLE WALL MOUNT RANGE HOODS



SEPH 18/SEPHX 18

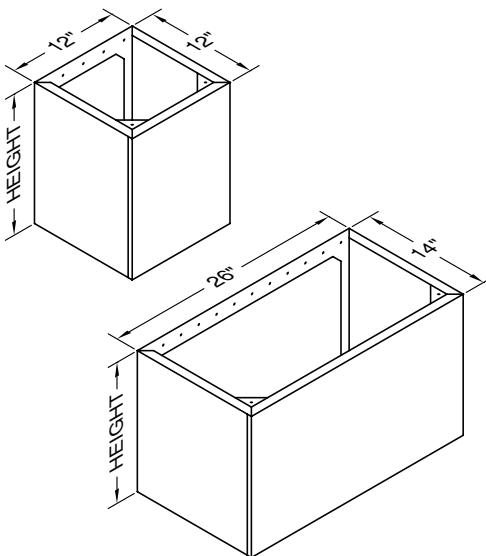
Model No.	CFM	Width	Painted	Stainless
SEPH18-236	600	36"	2,943	3,499
SEPH18-242		42"	3,127	3,683
SEPH18-248		48"	3,218	3,772

FOR 27" DEEP MODEL, ORDER SEPHX18 (NO ADDITIONAL COST)
 • FOR VARIATIONS SEE BELOW

SEPTH 18/SEPTX 18

Model No.	CFM	Width	Painted	Stainless
SEPTH18-342	900	42"	4,280	5,358
SEPTH18-348		48"	4,641	5,466
SEPTH18-354		54"	4,994	6,034
SEPTH18-360		60"	5,169	6,275
SEPTH18-366	1200	66"	5,329	6,530
SEPTH18-454		54"	5,368	6,443
SEPTH18-460		60"	5,541	6,684
SEPTH18-466		66"	5,703	6,938

FOR 27" DEEP MODEL, ORDER SEPTX18 (NO ADDITIONAL COST)
 • FOR VARIATIONS SEE BELOW



18" TALL EURO-STYLE WALL MOUNT DUCT COVERS

Model No.	Width	Height	Painted	Stainless	Overlay
WDCRND-12/12	12"	12"	462	501	565
WDCRND-12/24		24"	527	616	732
WDCRND-12/36		36"	604	718	911
WDCRND-26/12	26"	12"	540	629	770
WDCRND-26/24		24"	693	872	1,142
WDCRND-26/36		36"	848	1,103	1,515
CUSTOM	WIDTH X HEIGHT X PLUS		0.48	0.77	1.21
				398	

STOCK ITEMS LOCATED ON PAGE 22.

18" TALL WALL EURO-STYLE MOUNT HOOD VARIATIONS

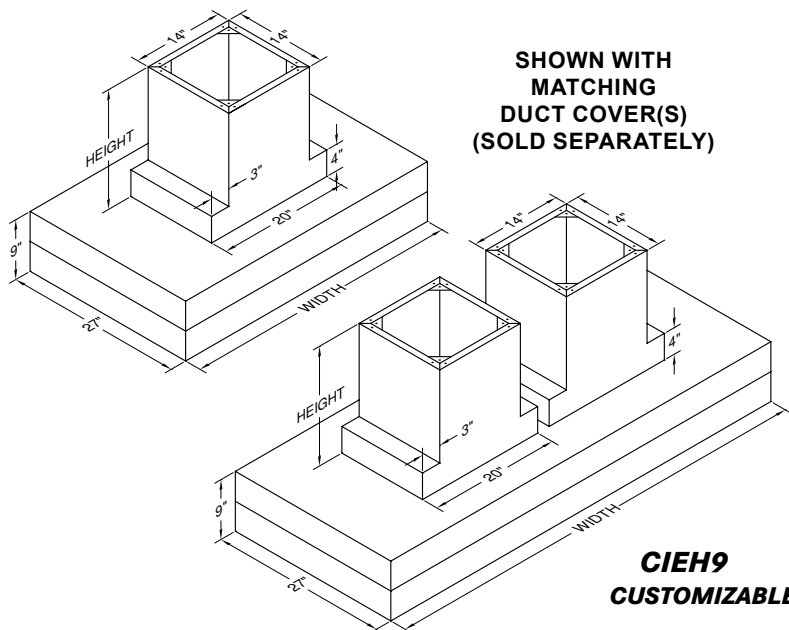
WIDTHS OVER 48"/66"	PAINTED	STAINLESS	OVERLAY	SPECIAL WIDTH (LESS THAN 48"/66")
FOR EACH 6" INCREMENT	180	258	320	USE NEXT LARGEST SIZE ON PRICE LIST,
PLUS		233		PLUS 233
DEPTH OVER 24" (EXCLUDING 27")	PAINTED	STAINLESS	OVERLAY	STAINLESS STEEL INTERIOR ON OVERLAY HOOD
WIDTH X EXTRA DEPTH X PLUS	1.14	1.69	2.3	SUBTRACT PAINTED HOOD PRICE FROM STAINLESS HOOD PRICE
		398		CUSTOM COLOR (SEE CUSTOM COLOR CHART)
				ADD 700
				TRIM OPTIONS
				SEE PAGES 52-53 FOR FINISH AND TRIM OPTIONS

CONTEMPORARY ISLAND RANGE HOODS

CIEH9

Model No.	CFM*	Width	Painted	Stainless
CIEH9-236	550	36"	3,361	4,262
CIEH9-242		42"	3,387	4,418
CIEH9-248		48"	3,568	4,665
CIEH9-254		54"	3,866	5,045
CIEH9-2+260	1100	60"	5,176	6,731
CIEH9-2+266		66"	5,333	6,956

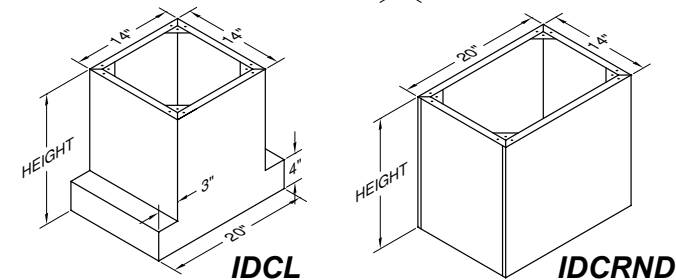
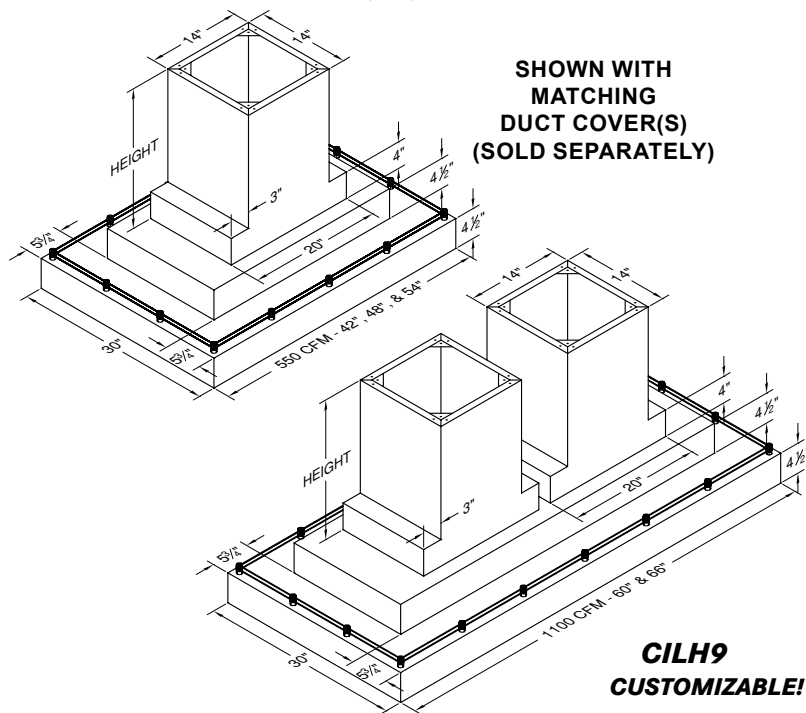
*VP565 TRANSITION TO 8" ROUND INCL. WITH EACH DUAL BLOWER
• FOR VARIATIONS SEE BELOW



CILH9

Model No.	CFM*	Width	Painted	Stainless
CILH9-242	550	42"	3,387	4,418
CILH9-248		48"	3,568	4,665
CILH9-254		54"	3,866	5,056
CILH9-2+260	1100	60"	5,294	6,731
CILH9-2+266		66"	5,333	6,956

*VP565 TRANSITION TO 8" ROUND INCL. WITH EACH DUAL BLOWER
• FOR VARIATIONS SEE BELOW



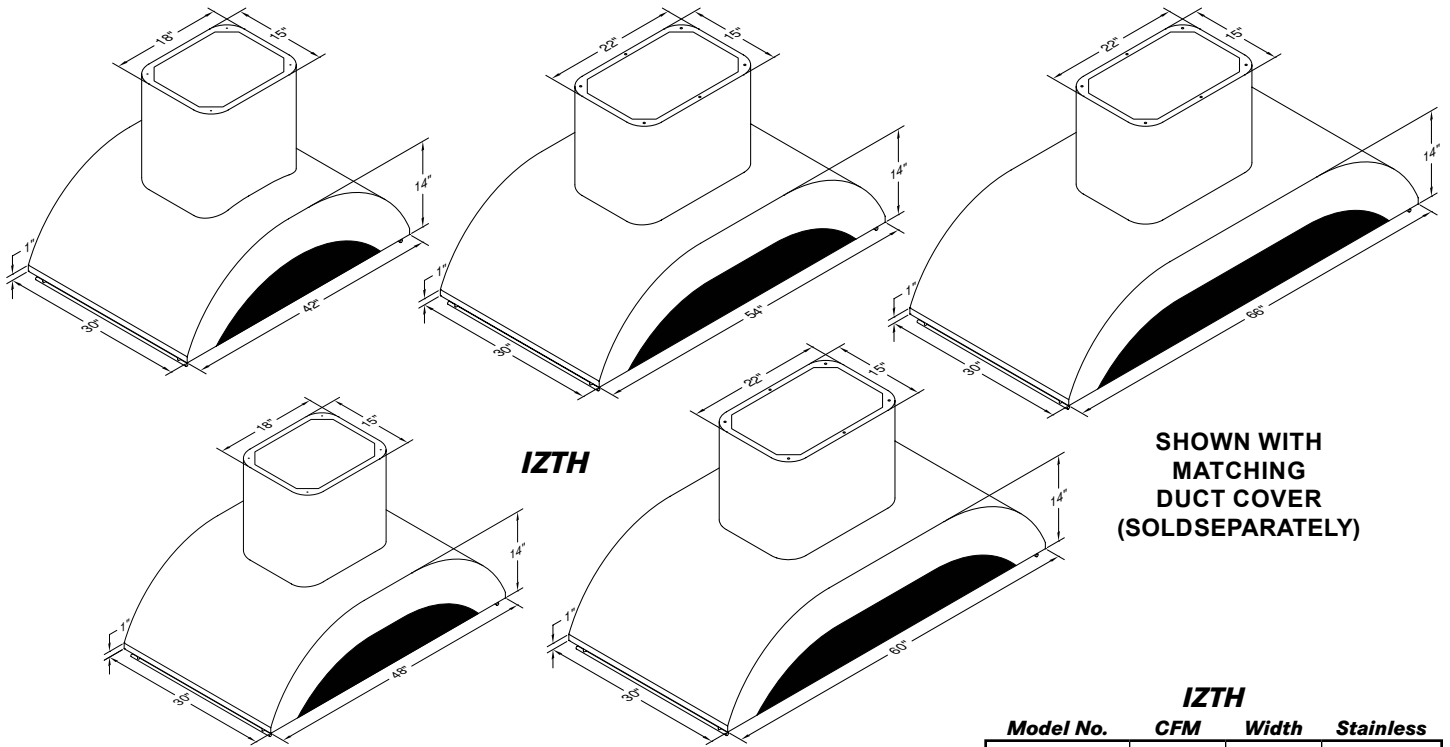
IDCL/IDCRND FOR CIEH9/CILH9

Model No.	Width	Height	Painted	Stainless
IDCL-14/20/9	20"	9"	501	540
IDCL-14/20/21		21"	655	745
IDCL-14/20/33		33"	809	937
IDCRND-14/20/9	20"	9"	501	540
IDCRND-14/20/21		21"	655	745
IDCRND-14/20/33		33"	809	937
IDCRND-14/20/45		45"	950	1,039
CUSTOM	WIDTH X HEIGHT X PLUS		0.64	0.85
			398	

CIEH9/CILH9 VARIATIONS

WIDTHS OVER 66" FOR EACH 6" INCREMENT PLUS	PAINTED 205	STAINLESS 270	SPECIAL WIDTH (LESS THAN 66") USE NEXT LARGEST SIZE ON PRICE LIST, PLUS REMOVE GALLEY RAIL (CILH9 ONLY) TO REMOVE RAIL, NO CHARGE
	233		

CONTEMPORARY ISLAND RANGE HOODS

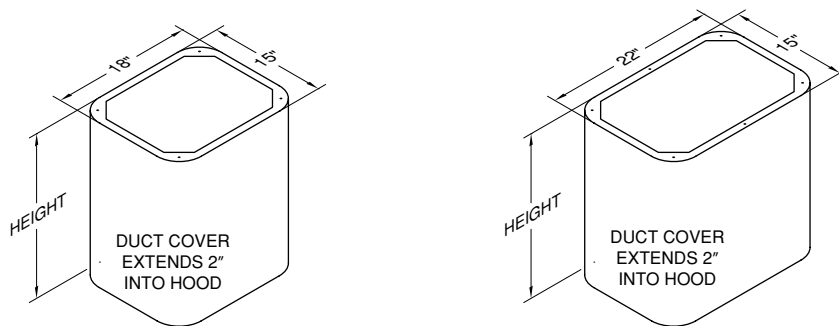


SHOWN WITH
MATCHING
DUCT COVER
(SOLD SEPARATELY)

IZTH			
Model No.	CFM	Width	Stainless
IZTH-242	550*	42"	5,331
IZTH-248		48"	5,448
IZTH-454	1100+	54"	7,072
IZTH-460		60"	7,616
IZTH-466		66"	7,878

*VP565 TRANSITION TO 8" ROUND INCLUDED
+VP564 TRANSITION TO 12" ROUND INCLUDED

IZTH VARIATIONS	
REMOVE FIXED LENGTH SS RAIL	
ADD	398

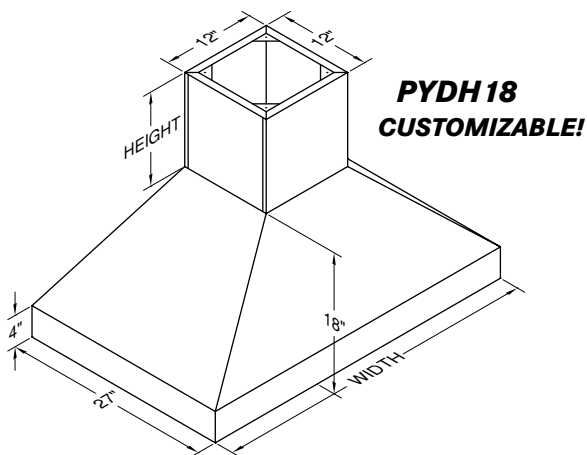


DUCT COVERS FOR IZTH

Model No.	Width	Height	Stainless
IZDC-18/6	18"	6"	488
IZDC-18/18		18"	667
IZDC-18/30		30"	848
IZDC-22/6	22"	6"	501
IZDC-22/18		18"	718
IZDC-22/30		30"	937
CUSTOM	WIDTH X HEIGHT X		0.85
	PLUS		398

**NOTE: DUCT COVER WILL HAVE
A VISIBLE SEAM ON ONE SIDE.**

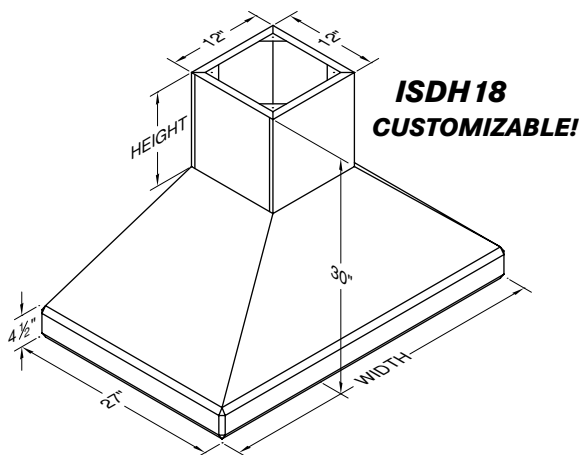
EURO-STYLE ISLAND RANGE HOODS



PYDH 18

Model No.	CFM	Width	Painted	Stainless	Overlay*
PYDH18-236	550	36"	3,270	4,262	6,224
PYDH18-242		42"	3,387	4,418	6,457
PYDH18-248		48"	3,568	4,665	6,638

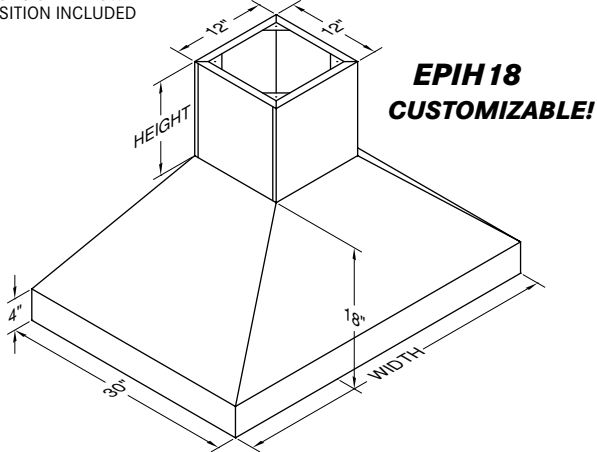
- FOR OVERLAY MODELS, SPECIFY INTERIOR COLOR.
- FOR VARIATIONS SEE BELOW
- VP565 TRANSITION INCLUDED



ISDH 18

Model No.	CFM	Width	Painted	Stainless
ISDH18-236	550	36"	3,775	4,796
ISDH18-242		42"	3,892	4,951
ISDH18-248		48"	3,983	5,069

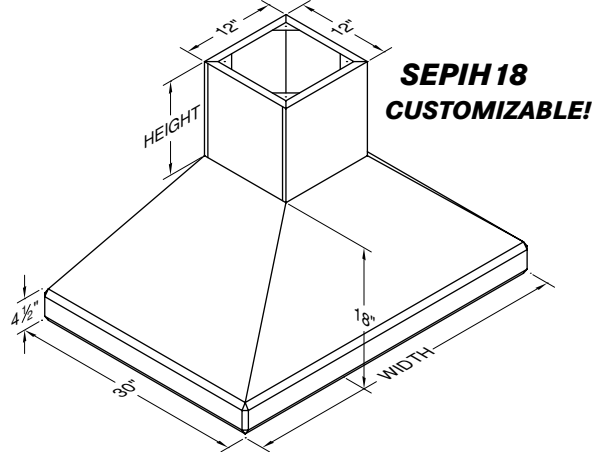
- FOR VARIATIONS SEE BELOW
- VP565 TRANSITION INCLUDED



EPIH 18

Model No.	CFM	Width	Painted	Stainless	Overlay*
EPIH18-236	550	36"	3,361	4,262	6,224
EPIH18-242		42"	3,477	4,418	6,457
EPIH18-248		48"	3,568	4,665	6,638

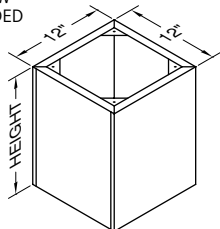
- FOR OVERLAY MODELS, SPECIFY INTERIOR COLOR.
- FOR VARIATIONS SEE BELOW
- VP565 TRANSITION INCLUDED



SEPIH 18

Model No.	CFM	Width	Painted	Stainless
SEPIH18-236	550	36"	3,775	4,514
SEPIH18-242		42"	3,892	4,665
SEPIH18-248		48"	3,983	4,925

- FOR VARIATIONS SEE BELOW
- VP565 TRANSITION INCLUDED



550 CFM EURO-STYLE ISLAND DUCT COVERS

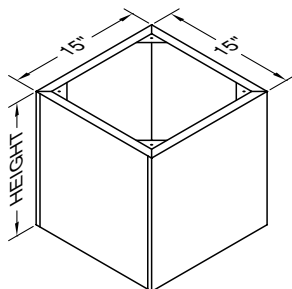
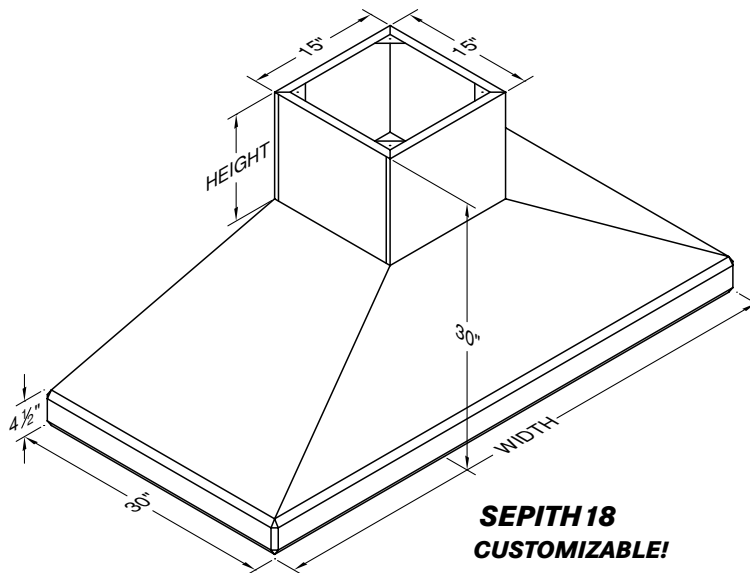
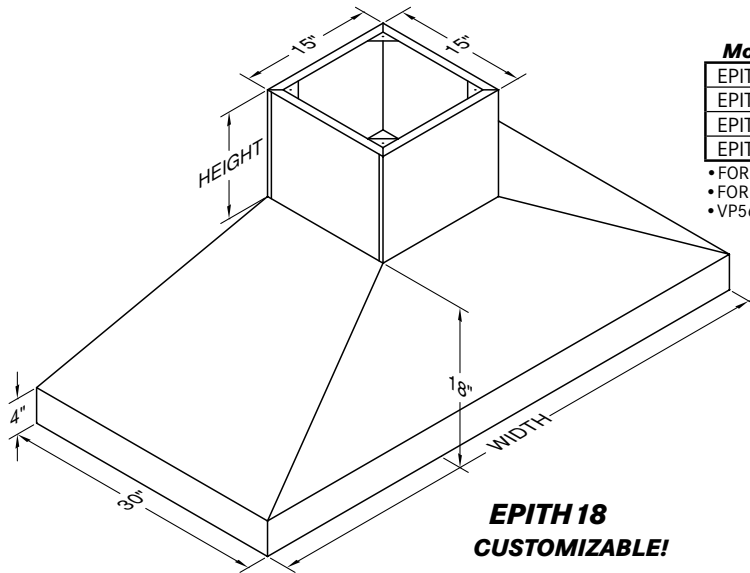
Model No.	Width	Height	Painted	Stainless	Overlay
IDCRND-12/12	12"	12"	488	513	590
IDCRND-12/24		24"	578	629	795
IDCRND-12/36		36"	667	757	988
CUSTOM	WIDTH X HEIGHT X PLUS		0.64	0.85	1.42
			398		

STOCK ITEMS LOCATED ON PAGE 23.

550 CFM EURO-STYLE ISLAND HOOD VARIATIONS

SPECIAL WIDTH (LESS THAN 48") USE NEXT LARGEST SIZE ON PRICE LIST, PLUS				233
DEPTH OVER 27"/30"	PAINTED	STAINLESS	OVERLAY	
WIDTH X EXTRA DEPTH X PLUS	1.28	2.08	2.55	
				398
STAINLESS STEEL INTERIOR ON OVERLAY HOOD SUBTRACT PAINTED HOOD PRICE FROM STAINLESS HOOD PRICE				
REMOTE BLOWER OPTIONS SEE PAGES 46-47 FOR REMOTE BLOWER OPTIONS				
CUSTOM COLOR (SEE CUSTOM COLOR CHART) ADD				
700				
TRIM OPTIONS SEE PAGES 52-53 FOR FINISH AND TRIM OPTIONS				

EURO-STYLE ISLAND RANGE HOODS



EPITH 18

Model No.	CFM	Width	Painted	Stainless	Overlay*
EPITH 18-448	1100	48"	4,565	5,694	7,720
EPITH 18-454		54"	5,016	6,200	8,398
EPITH 18-460		60"	5,215	6,639	8,835
EPITH 18-466		66"	5,427	6,917	9,286

- FOR OVERLAY MODELS, SPECIFY INTERIOR COLOR.
- FOR VARIATIONS SEE BELOW
- VP564 TRANSITION INCLUDED

SEPITH 18

Model No.	CFM	Width	Painted	Stainless
SEPITH 18-448	1100	48"	4,988	6,240
SEPITH 18-454		54"	5,440	6,772
SEPITH 18-460		60"	5,639	7,050
SEPITH 18-466		66"	5,838	7,344

- FOR VARIATIONS SEE BELOW
- VP564 TRANSITION INCLUDED

STOCK ITEMS LOCATED ON PAGE 23.

1100 CFM EURO-STYLE ISLAND DUCT COVERS

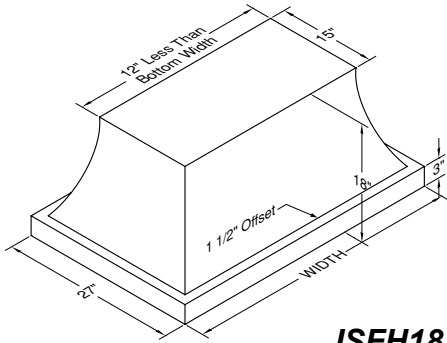
Model No.	Width	Height	Painted	Stainless	Overlay
IDCRND-15/12	15"	12"	501	540	643
IDCRND-15/24		24"	616	693	898
IDCRND-15/36		36"	732	848	1,134
CUSTOM	WIDTH X HEIGHT X PLUS		0.64	0.85	1.42
			398		

1100 CFM EURO-STYLE ISLAND HOOD VARIATIONS

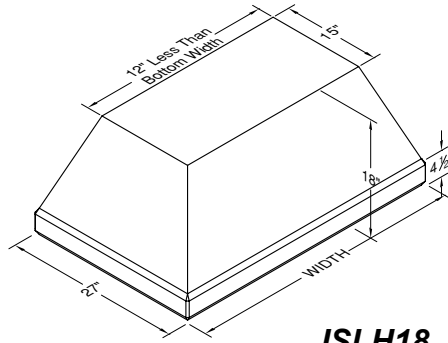
1100 CFM EURO-STYLE ISLAND HOOD VARIATIONS			
WIDTHS OVER 66"			
FOR EACH 6" INCREMENT PLUS	PAINTED 205	STAINLESS 270 233	OVERLAY 423
SPECIAL WIDTH (LESS THAN 66")			
USE NEXT LARGEST SIZE ON PRICE LIST, PLUS		233	
DEPTH OVER 30"			
WIDTH X EXTRA DEPTH X PLUS	PAINTED 1.28	STAINLESS 2.08 398	OVERLAY 2.55
STAINLESS STEEL INTERIOR ON OVERLAY HOOD			
SUBTRACT PAINTED HOOD PRICE FROM STAINLESS HOOD PRICE			
REMOTE BLOWER OPTIONS			
SEE PAGES 46-47 FOR REMOTE BLOWER OPTIONS			
CUSTOM COLOR (SEE CUSTOM COLOR CHART)			
ADD			700
TRIM OPTIONS			
SEE PAGES 52-53 FOR FINISH AND TRIM OPTIONS			

OTHER ISLAND RANGE HOOD STYLES

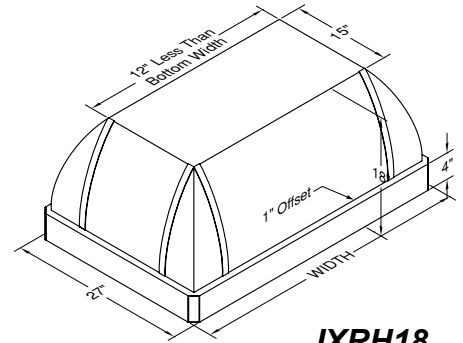
THESE MODELS HAVE BEEN REMOVED FROM OUR PRICING LITERATURE BUT THAT DOES NOT MEAN THAT THEY HAVE BEEN DISCONTINUED. PLEASE CONTACT **PINNACLE EXPRESS** FOR PRICING DETAILS ON THESE HOODS.



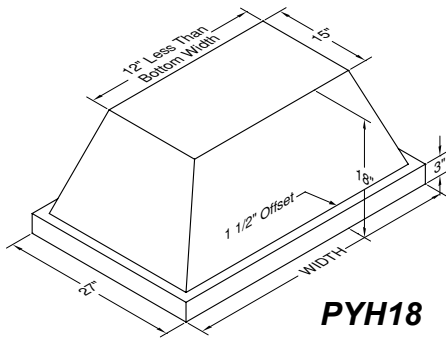
ISFH18



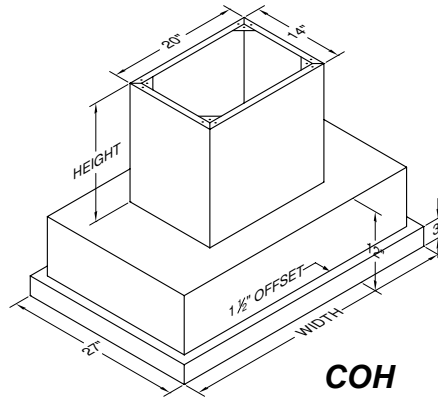
ISLH18



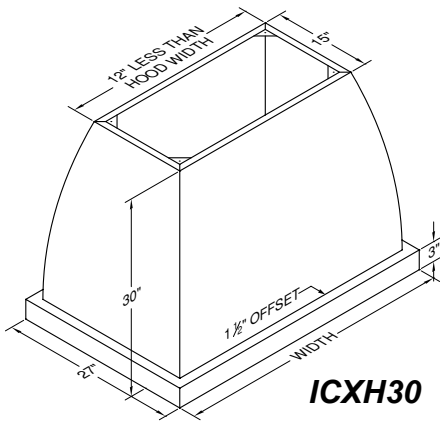
IXRH18



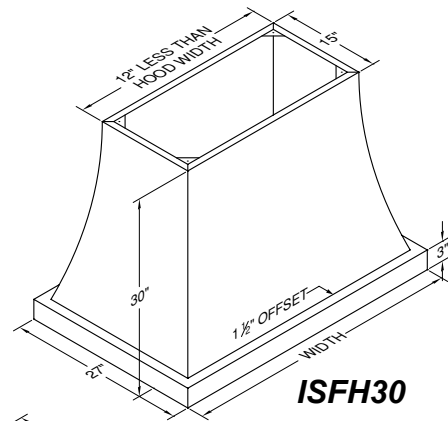
PYH18



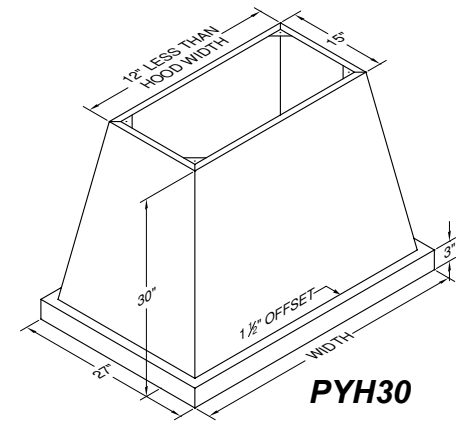
COH



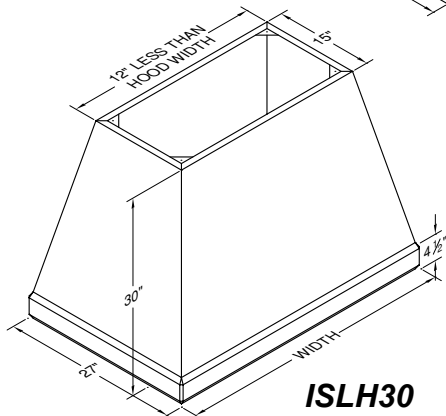
ICXH30



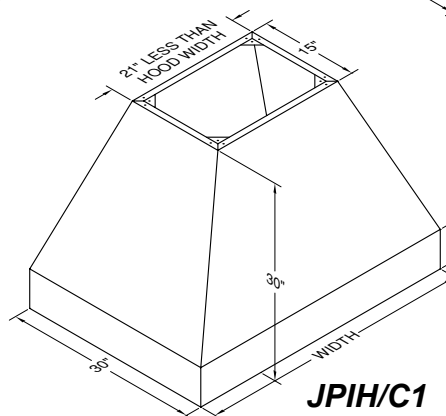
ISFH30



PYH30

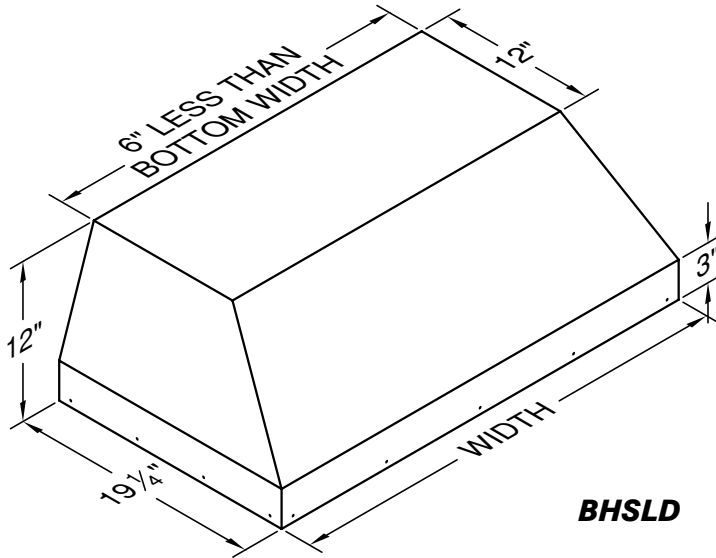


ISLH30



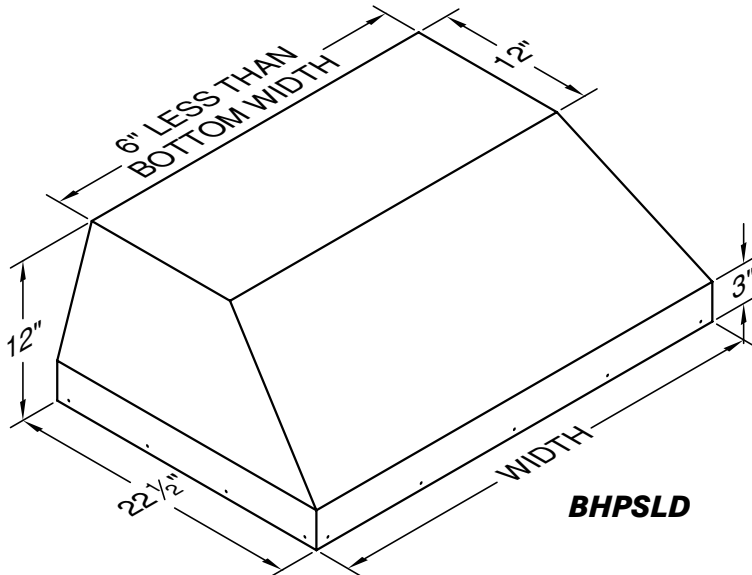
JPIH/C1

WALL MOUNT LINER INSERTS



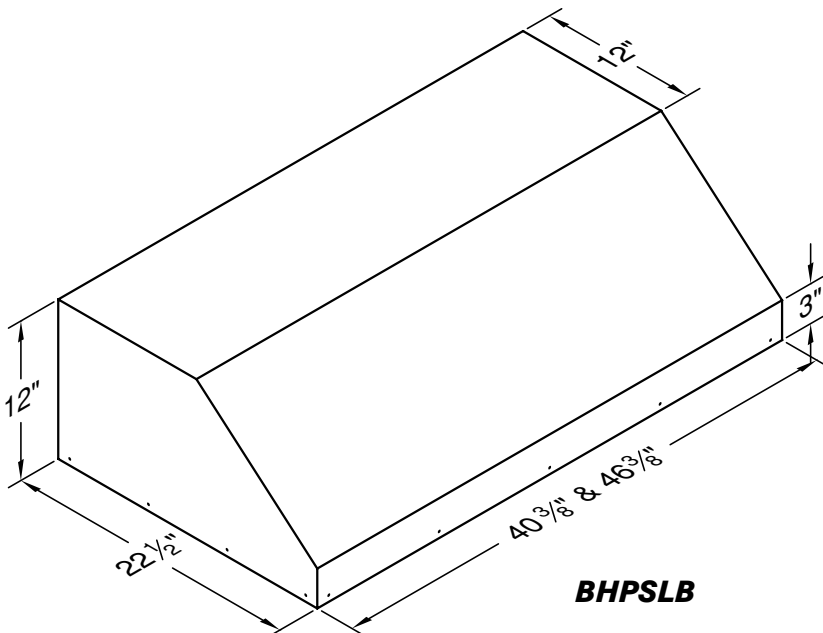
BHS�D				
Model No.	CFM	Width	Painted	Stainless
BH128SLD	300	28 3/8"	882	1,166
BH134SLD		34 3/8"	882	1,166
BH140SLD		40 3/8"	993	1,275
BH228SLD	600	28 3/8"	1,255	1,574
BH234SLD		34 3/8"	1,255	1,574
BH240SLD		40 3/8"	1,366	1,683
BH246SLD		46 3/8"	1,457	1,816
BH346SLD	900	46 3/8"	1,907	2,305

•VP562 TRANSITION TO 10" ROUND INCLUDED WITH 900 CFM MODELS



BHPSLD				
Model No.	CFM	Width	Painted	Stainless
BH228PSLD	600	28 3/8"	1,292	1,590
BH234PSLD		34 3/8"	1,292	1,590
BH240PSLD		40 3/8"	1,394	1,705
BH246PSLD		46 3/8"	1,541	1,853
BH252PSLD	900	52 3/8"	1,808	2,301
BH346PSLD		46 3/8"	1,937	2,342
BH352PSLD		52 3/8"	2,205	2,791
BH358PSLD	1200	58 3/8"	2,593	3,270
BH452PSLD		52 3/8"	2,578	3,199
BH458PSLD	1200	58 3/8"	2,965	3,679
BH464PSLD		64 3/8"	3,130	3,896

•VP562 TRANSITION 10" ROUND INCLUDED WITH 900 CFM MODELS
 •VP563 TRANSITION 12" ROUND INCLUDED WITH 1200 CFM MODELS

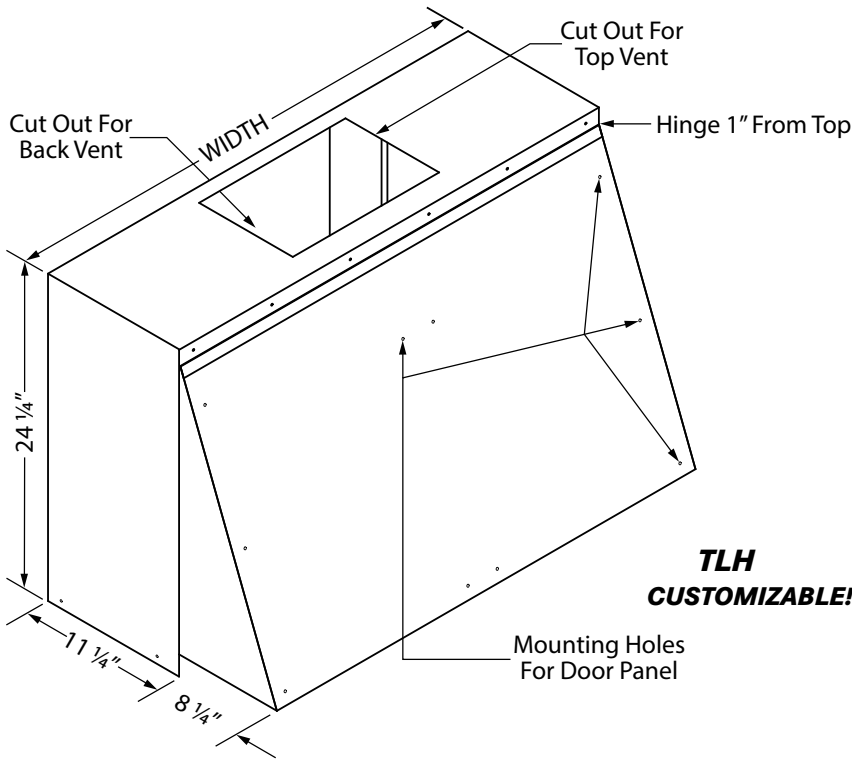


BHPSLB				
Model No.	CFM	Width	Painted	Stainless
BH340PSLB	900	40 3/8"	1,933	2,337
BH446PSLB	1200	46 3/8"	2,377	2,863

•VP562 TRANSITION 10" ROUND INCLUDED WITH 900 CFM MODELS
 •VP563 TRANSITION 12" ROUND INCLUDED WITH 1200 CFM MODELS

STOCK ITEMS LOCATED ON PAGE 11 AND 12.

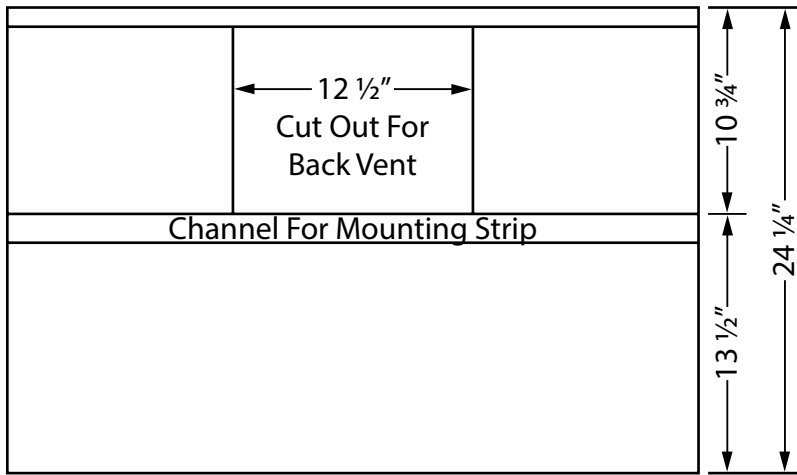
WALL MOUNT LINER INSERTS



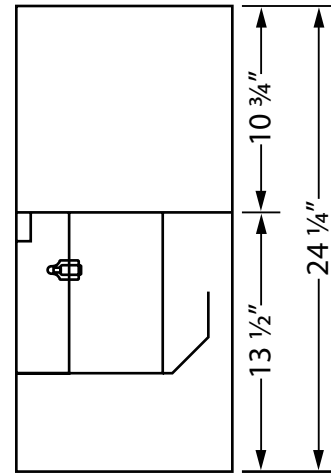
**TLH
CUSTOMIZABLE!**

Model No.	CFM	TLH		
		Width	Painted	Stainless
TLH-130	300	30"	1,712	2,318
TLH-136		36"	1,751	2,343
TLH-142		42"	1,888	2,493
TLH-148		48"	1,963	2,583
TLH-230	600	30"	2,086	2,725
TLH-236		36"	2,125	2,752
TLH-242		42"	2,261	2,902
TLH-248		48"	2,337	2,992

• FOR VARIATIONS SEE BELOW



Back View of Hood

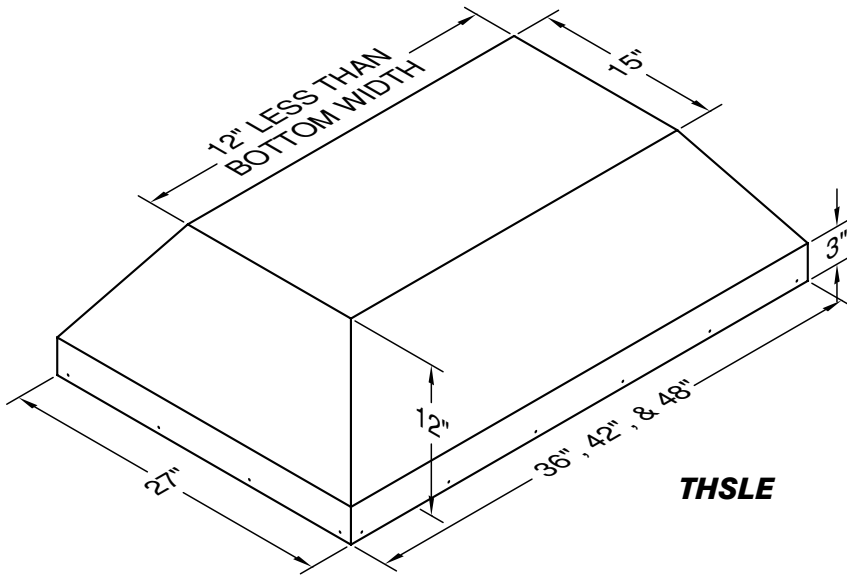


Side View

TLH WALL MOUNT HOOD VARIATIONS

SPECIAL WIDTH (LESS THAN 48") ADD	233	CUSTOM TILT OUT HEIGHT (36" MAX), WIDTH, DEPTH OR COMBO VARIATION ADD	475
HINGE AT TOP ADD	233	CUSTOM COLOR (SEE CUSTOM COLOR CHART) ADD	700

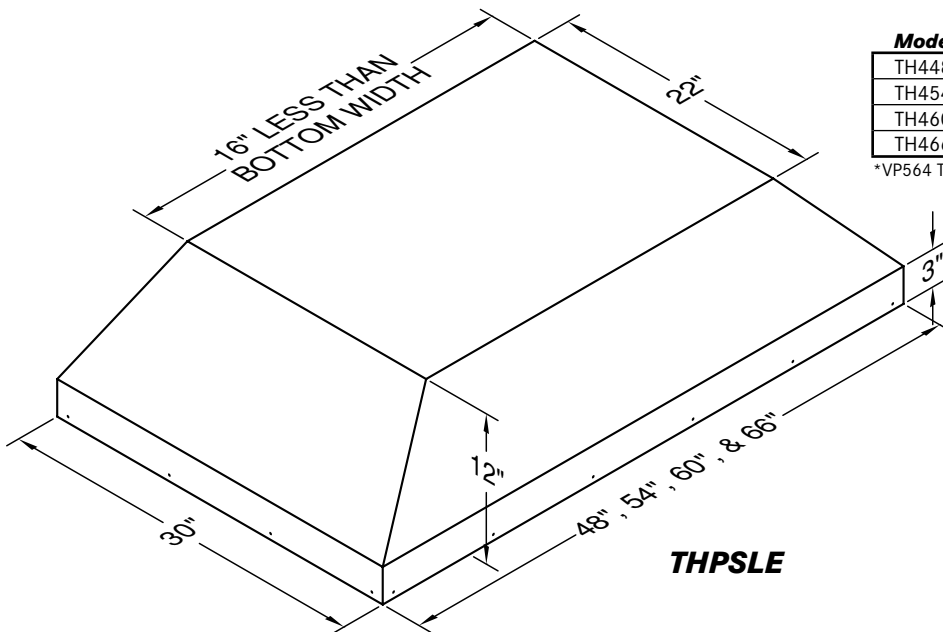
ISLAND LINER INSERTS



THSLE

Model No.	CFM	Width	Painted	Stainless
TH236SLE	550*	36"	2,204	2,748
TH242SLE		42"	2,255	2,826
TH248SLE		48"	2,304	2,878

*VP565 TRANSITION TO 8" ROUND INCLUDED



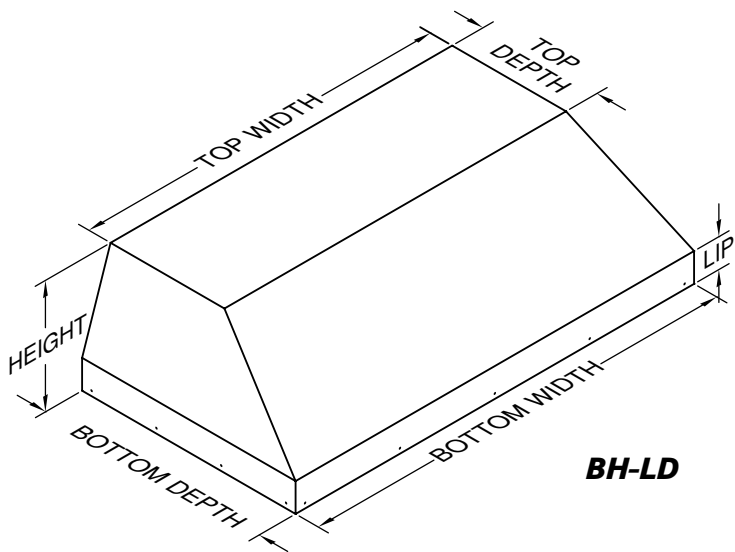
THPSLE

Model No.	CFM	Width	Painted	Stainless
TH448PSLE	1100*	48"	3,641	4,963
TH454PSLE		54"	3,788	5,149
TH460PSLE		60"	3,872	5,326
TH466PSLE		66"	3,930	5,433

*VP564 TRANSITION TO 12" ROUND INCLUDED

STOCK ITEMS LOCATED ON PAGE 13.

CUSTOM WALL MOUNT LINER INSERTS



BH-LD

MINIMUM TOP WIDTH FOR 300 SERIES IS 40-3/8".
MINIMUM TOP WIDTH FOR 400 SERIES IS 46-3/8"

BH-LD

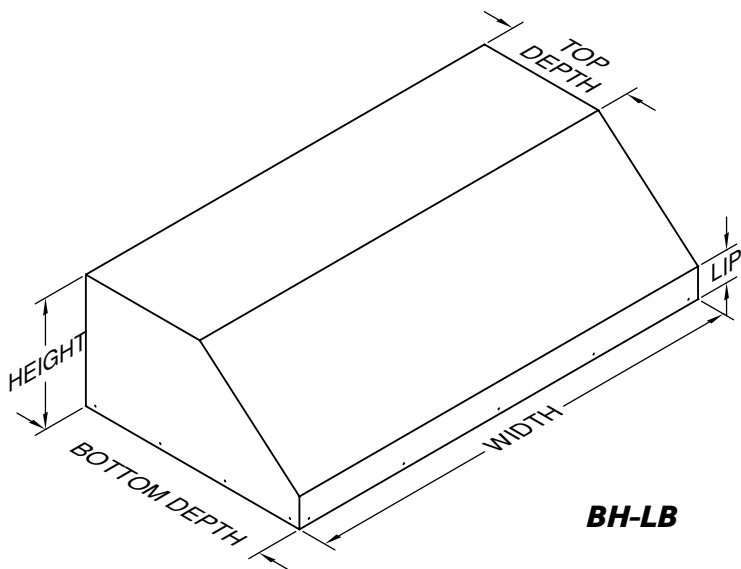
Model No.	CFM	Width	Painted	Stainless
BH100LD-A	300	24"-36"	1,669	2,182
BH200LD-A	600	24"-36"	2,080	2,618
BH200LD-B		36"-48"	2,310	2,862
BH200LD-C		48"-54"	2,618	3,324
BH300LD-D	900	42"-54"	3,133	3,940
BH400LD-E	1200	48"-66"	3,825	4,762

2 LIGHTS FOR HOODS 24"<42", 3 LIGHTS FOR HOODS 42"<54", 4 LIGHTS FOR HOODS 54"≤66"

• FOR VARIATIONS SEE BELOW

TRIM KIT INCLUDED
DIMENSIONS BELOW ARE AVAILABLE
AT NO ADDITIONAL COST.

BOTTOM DEPTH:	16" - 24"
HEIGHT:	12"
TOP DEPTH:	12"
LIP:	3"



BH-LB

BH-LB

Model No.	CFM	Width	Painted	Stainless
BH100LB-A	300	24"-36"	1,283	1,796
BH200LB-A	600	24"-36"	1,695	2,221
BH200LB-B		36"-48"	1,926	2,477
BH200LB-C		48"-54"	2,233	2,926
BH300LB-D	900	42"-54"	2,748	3,541
BH400LB-E	1200	48"-66"	3,440	4,378

2 LIGHTS FOR HOODS 24"<42", 3 LIGHTS FOR HOODS 42"<54", 4 LIGHTS FOR HOODS 54"≤66"

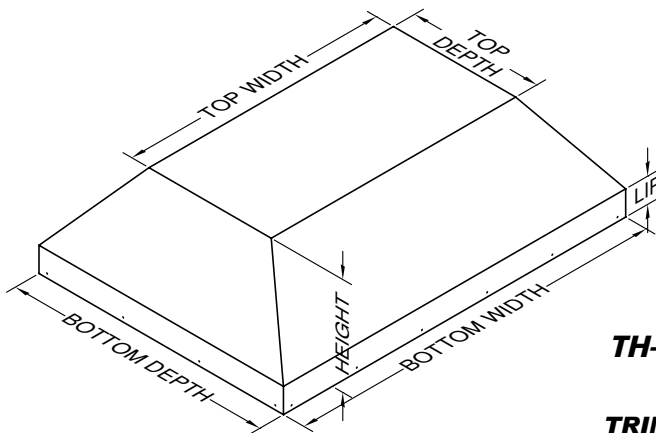
• FOR VARIATIONS SEE BELOW

TRIM KIT INCLUDED
DIMENSIONS BELOW ARE AVAILABLE
AT NO ADDITIONAL COST.

BOTTOM DEPTH:	16" - 24"
HEIGHT:	12"
TOP DEPTH:	12"
LIP:	3"

CUSTOM WALL MOUNT LINER INSERT VARIATIONS				
WIDTHS OVER 66"		PAINTED	STAINLESS	LIP (OTHER THAN 3" STANDARD) ADD 398
	FOR EACH 6" INCREMENT PLUS	180	258	
SPECIAL HEIGHT (OTHER THAN 12" STANDARD) 9" MINIMUM, 18" MAXIMUM ADD				SPECIAL TOP DEPTH (12" MINIMUM) ADD 398
			233	
DEPTH OVER 24"		PAINTED	STAINLESS	ADDITIONAL BLOWERS & LIGHTS SEE PAGE 46 FOR BLOWER OPTIONS REMOTE BLOWER OPTIONS SEE PAGES 46-47 FOR REMOTE BLOWER OPTIONS CUSTOM COLOR (SEE CUSTOM COLOR CHART) ADD 700
	WIDTH X EXTRA DEPTH X PLUS	1.14	1.69	
			398	WARMING LAMPS AND SHELVES SEE PAGES 49 FOR WARMING LAMP AND SHELF OPTIONS

CUSTOM ISLAND LINER INSERTS



TH-LE

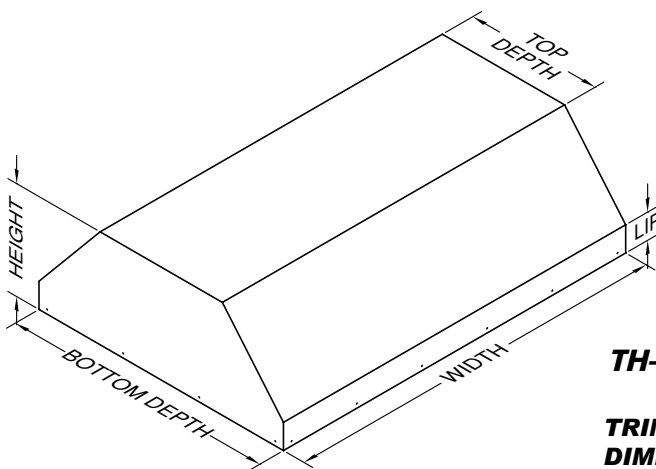
TRIM KIT INCLUDED
DIMENSIONS BELOW ARE AVAILABLE AT NO ADDITIONAL COST.

BOTTOM DEPTH:	27"
HEIGHT:	12"
TOP WIDTH:	12" LESS THAN BOTTOM WIDTH
TOP DEPTH:	12" LESS THAN BOTTOM DEPTH
LIP:	3"

TH-LE

MODEL NO.	CFM •	Width	Painted	Stainless
TH200LE-A	550	24"-36"	2,953	3,775
TH200LE-B		36"-48"	3,133	4,006
TH200LE-C		48"-54"	3,376	4,326
TH2+200LE-E	1100	48"-66"	4,859	6,187

EACH DUAL BLOWER REQUIRES 24" MINIMUM TOP WIDTH.
 • VP565 TRANSITION TO 8" ROUND INCL. WITH EACH DUAL BLOWER
 4 LIGHTS FOR HOODS 48"<60", 8 LIGHTS FOR HOODS 60"≤66"
 A CLUSTER BLOWER (1100 CFM) IS AVAILABLE ON MODELS WITH A
 MINIMUM TOP SIZE OF 24" WIDE X 24" DEEP. CONTACT THE FACTORY FOR
 ADDITIONAL DETAILS.
 • FOR VARIATIONS SEE BELOW



TH-LC

TRIM KIT INCLUDED
DIMENSIONS BELOW ARE AVAILABLE AT NO ADDITIONAL COST.

BOTTOM DEPTH:	27"
HEIGHT:	12"
TOP DEPTH:	12" LESS THAN BOTTOM DEPTH
LIP:	3"

TH-LC

MODEL NO.	CFM •	Width	Painted	Stainless
TH200LC-A	550	24"-36"	2,953	3,775
TH200LC-B		36"-48"	3,133	4,006
TH200LC-C		48"-54"	3,376	4,326
TH2+200LC-E	1100	48"-66"	4,859	6,187

EACH DUAL BLOWER REQUIRES 24" MINIMUM TOP WIDTH.
 • VP565 TRANSITION TO 8" ROUND INCL. WITH EACH DUAL BLOWER
 4 LIGHTS FOR HOODS 48"<60", 8 LIGHTS FOR HOODS 60"≤66"
 A CLUSTER BLOWER (1100 CFM) IS AVAILABLE ON MODELS WITH A
 MINIMUM TOP SIZE OF 24" WIDE X 24" DEEP. CONTACT THE FACTORY FOR
 ADDITIONAL DETAILS.
 • FOR VARIATIONS SEE BELOW

CUSTOM ISLAND LINER INSERT VARIATIONS				
WIDTHS OVER 66"		PAINTED	STAINLESS	SPECIAL HEIGHT (OTHER THAN 12" STANDARD) 9" MINIMUM, 18" MAXIMUM ADD 398
	FOR EACH 6" INCREMENT PLUS	205	270	
DEPTH OVER 27"				SPECIAL TOP WIDTH OR DEPTH ADD 398
	WIDTH X EXTRA DEPTH X PLUS	1.28	2.08	
LIP (OTHER THAN 3" STANDARD)				REMOTE BLOWER OPTIONS SEE PAGES 46-47 FOR REMOTE BLOWER OPTIONS
ADD			398	
				CUSTOM COLOR (SEE CUSTOM COLOR CHART) ADD 700

AIR RECOVERY SYSTEM (ARS) DUCT FREE RANGE HOODS

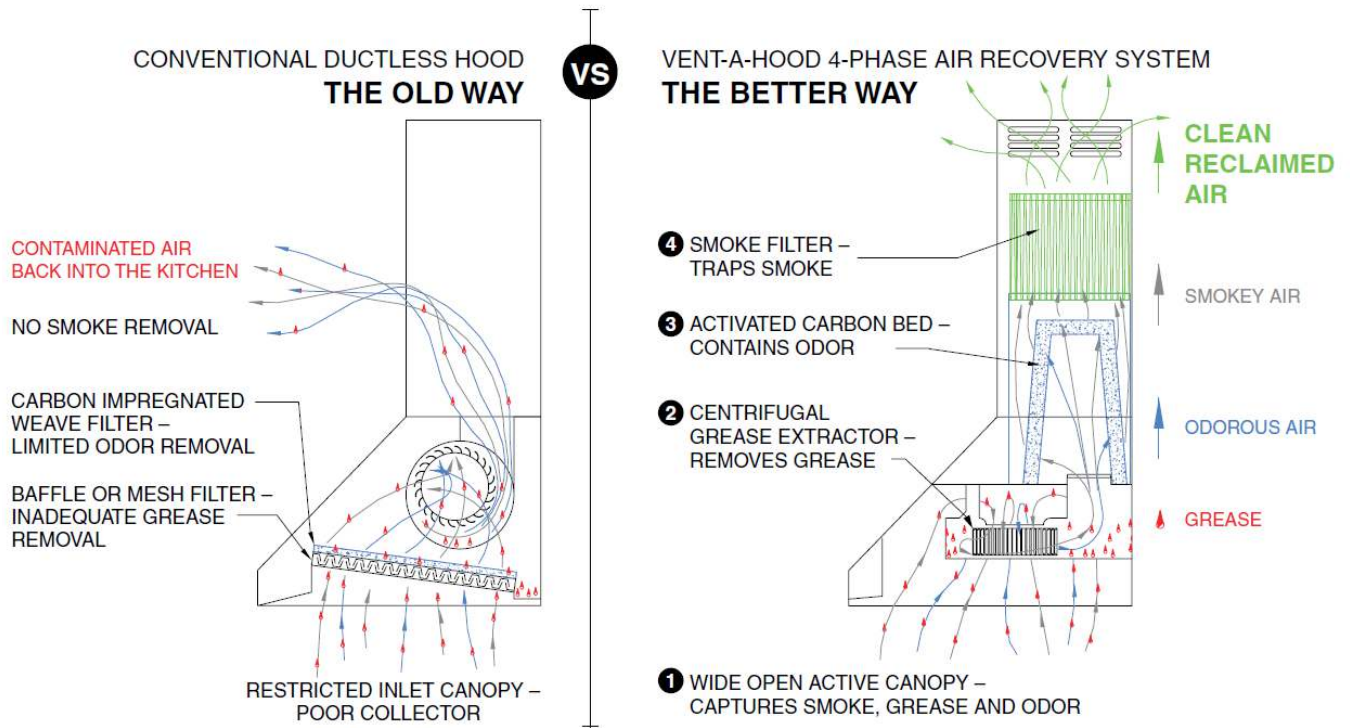


ARS FEATURES:

- Duct-Free for unlimited design freedom
- 4-phase ARS patent-pending process to eliminate contaminants
- Powerful
- Quiet
- Efficient
- Easy Maintenance

AIR RECOVERY SYSTEM (ARS) DUCT FREE RANGE HOODS

While conventional ductless hoods return contaminants into the kitchen, a duct-free ARS Vent-A-Hood® is in a different class of kitchen ventilation systems. The 4-phase ARS Patent-Pending process systematically eliminates contaminants, reclaiming the air and returning it clean and fresh into the kitchen..

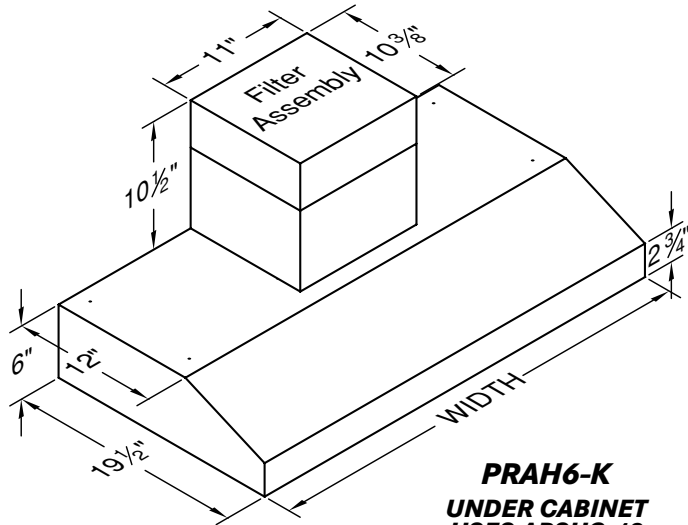


The 4-phase kitchen ventilation process works so well, your home interior, including furnishings and fabrics, stay cleaner and last longer, allowing you to continue cooking and entertaining in your home for years to come.

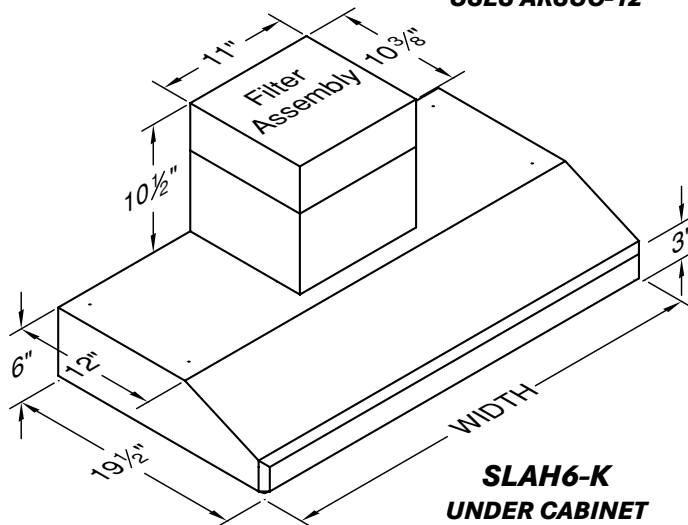
Like all Vent-A-Hood® systems, the ARS kitchen ventilation is made in the USA and offers the quality, craftsmanship, and performance you've come to expect from the company that invented kitchen ventilation. We work hard to live up to our reputation as the most respected name in home ventilation. So, not only do we make sure you get better air, we guarantee you get great value.



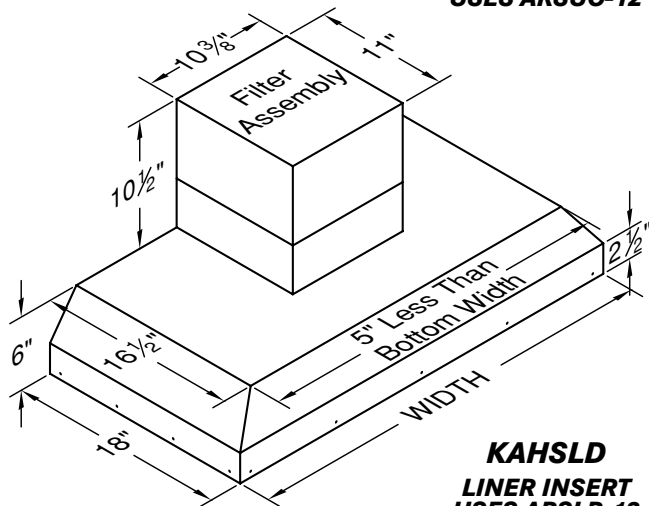
ARS DUCT FREE UNDER CABINET & LINER INSERT



**PRAH6-K
UNDER CABINET
USES ARSUC-12**



**SLAH6-K
UNDER CABINET
USES ARSUC-12**



**KAHS LD
LINER INSERT
USES ARSLP-12**

PRAH6-K

Model No.	ARS Kit •	Width	Painted	Stainless
PRAH6-K24	ARSUC-12	24"	582	699
PRAH6-K30		30"	582	699
PRAH6-K36		36"	582	699
PRAH6-K42		42"	683	846

• ARS KIT IS REQUIRED FOR INSTALLATION, SOLD SEPARATELY.

SLAH6-K

Model No.	ARS Kit •	Width	Painted	Stainless
SLAH6-K24	ARSUC-12	24"	582	699
SLAH6-K30		30"	582	699
SLAH6-K36		36"	582	699
SLAH6-K42		42"	683	846

• ARS KIT IS REQUIRED FOR INSTALLATION, SOLD SEPARATELY.

KAHS LD

Model No.	ARS Kit •	Width	Painted	Stainless
KAH28SLD	ARSLP-12	28 3/8"	525	643
KAH34SLD		34 3/8"	525	643
KAH40SLD		40 3/8"	624	752

• ARS KIT IS REQUIRED FOR INSTALLATION, SOLD SEPARATELY.

OPTIONAL TRIM KITS

Model No.	Width	Painted	Stainless
TKK28SLD	28-3/8"	21.63	21.63
TKK34SLD	34-3/8"	21.63	21.63
TKK40SLD	40-3/8"	22.66	22.66

ARS FILTER KITS

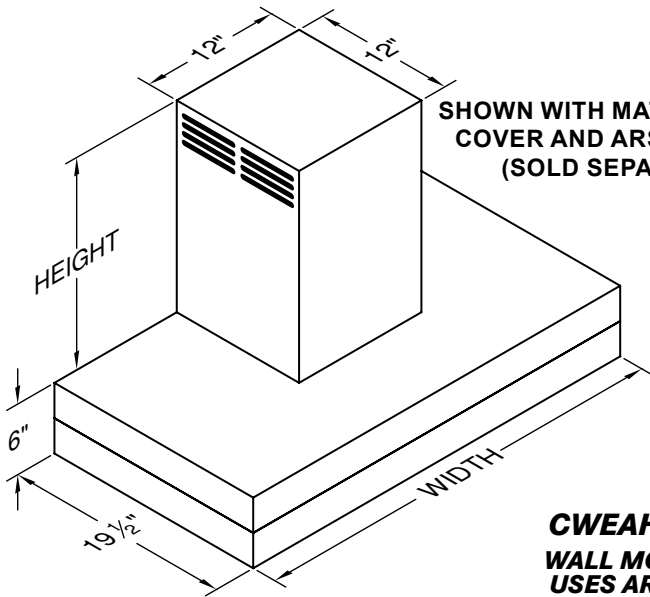
Model No.	Description	Price
ARSLP-12	ARS Filter Assembly - Low Profile	294
ARSUC-12	ARS Filter Assembly - Under Cabinet	294

ARS FILTER REPLACEMENT PARTS

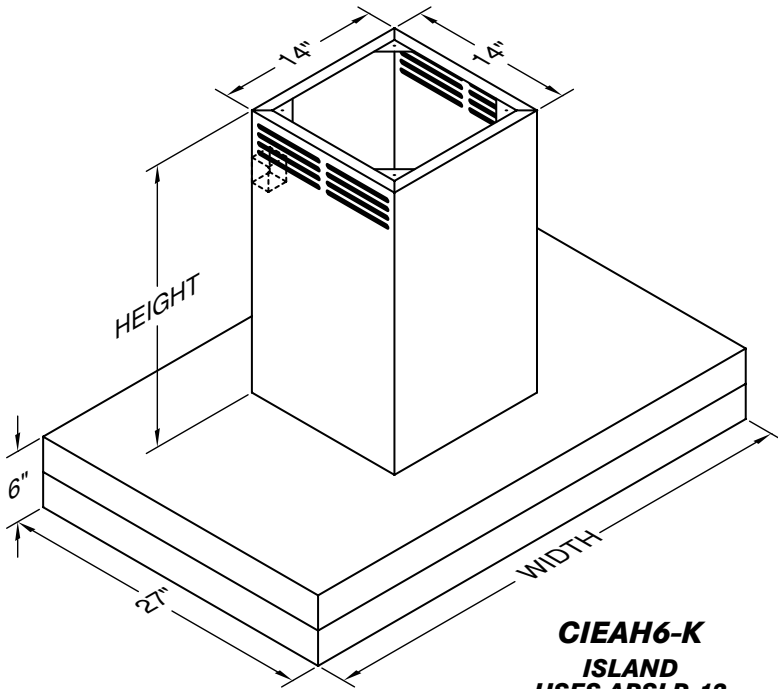
Model No.	Description	Price
PARS-12	12" x 12" Replacement H.E. Filter Assembly	320
PARS-C	Replacement Activated Carbon Pellets - 1 Gallon	65

THE H.E. FILTER ASSEMBLY AND ACTIVATED CARBON MEDIA SHOULD BE CHANGED AS NEEDED BASED ON USAGE.

ARS DUCT FREE CONTEMPORARY WALL MOUNT & ISLAND



**CWEAH6-K
WALL MOUNT
USES ARS-12**



**CIEAH6-K
ISLAND
USES ARSLP-12**

STOCK ITEMS LOCATED ON PAGE 28.

CWEAH6-K

Model No.	ARS Kit •	Width	Painted	Stainless
CWEAH6-K30	ARS-12	30"	920	1,165
CWEAH6-K36		36"	920	1,165
CWEAH6-K42		42"	1,066	1,361
CWEAH6-K48		48"	1,117	1,396

• ARS KIT IS REQUIRED FOR INSTALLATION, SOLD SEPARATELY.

DUCT COVERS FOR CWEAH6-K

Model No.	Width	Height	Painted	Stainless
WDCAND-12/18	12"	18"	655	706
WDCAND-12/30		30"	718	809
WDCAND-12/42		42"	783	898

CIEAH6-K

Model No.	ARS Kit •	Width	Painted	Stainless
CIEAH6-K36	ARSLP-12	36"	1,726	2,301
CIEAH6-K42		42"	1,819	2,426

• ARS KIT IS REQUIRED FOR INSTALLATION, SOLD SEPARATELY.

DUCT COVERS FOR CIEAH6-K

Model No.	Width	Height	Painted	Stainless
IDCAND-14/24	14"	24"	745	818
IDCAND-14/36		36"	852	961

**SHOWN WITH MATCHING DUCT
COVER AND ARSLP-12 FILTER
KIT (SOLD SEPARATELY)**

ARS FILTER KITS

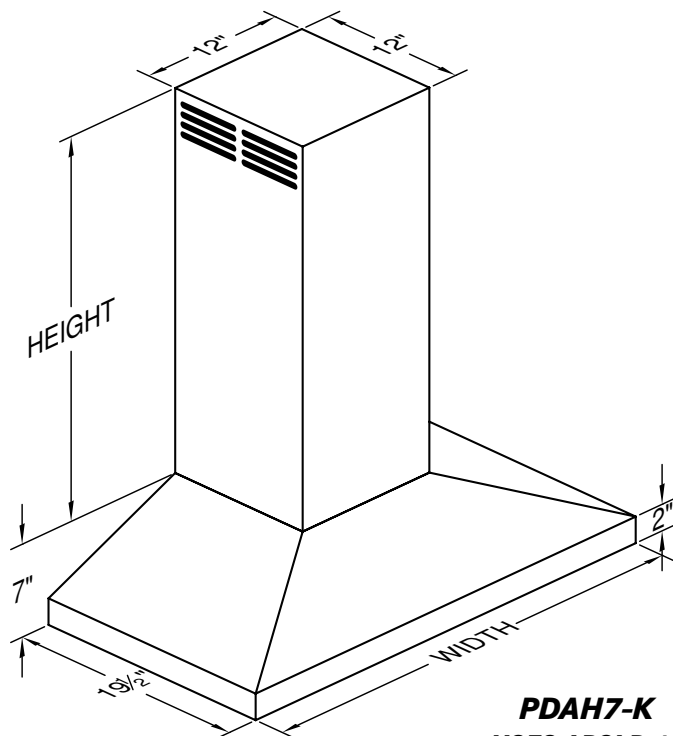
Model No.	Description	Price
ARS-12	ARS Filter Assembly for CWEAH6-K	397
ARSLP-12	ARS Filter Assembly - Low Profile	294

ARS FILTER REPLACEMENT PARTS

Model No.	Description	Price
PARS-12	12" x 12" Replacement H.E. Filter Assembly	320
PARS-C	Replacement Activated Carbon Pellets - 1 Gallon	65

THE H.E. FILTER ASSEMBLY AND ACTIVATED CARBON MEDIA SHOULD BE CHANGED AS NEEDED BASED ON USAGE.

ARS DUCT FREE EURO-STYLE WALL MOUNT

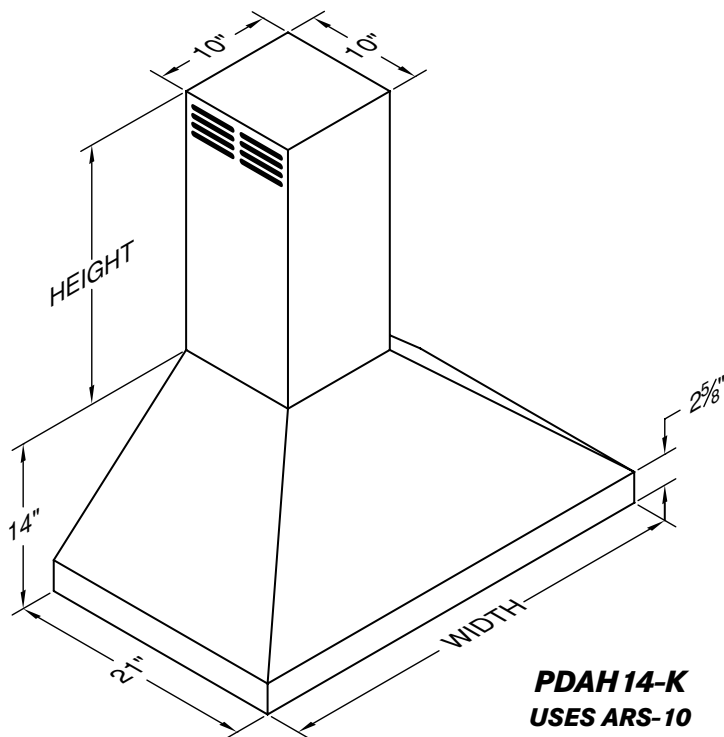


PDAH7-K				
Model No.	ARS Kit •	Width	Painted	Stainless
PDAH7-K30	ARSLP-12	30"	1,046	1,330
PDAH7-K36		36"	1,046	1,330

• ARS KIT IS REQUIRED FOR INSTALLATION, SOLD SEPARATELY.

DUCT COVERS FOR PDAH7-K				
Model No.	Width	Height	Painted	Stainless
W7DCAND-12/17	12"	17"	649	697
W7DCAND-12/29		29"	713	800
W7DCAND-12/41		41"	778	890

SHOWN WITH MATCHING DUCT COVER AND ARSLP-12 FILTER KIT (SOLD SEPARATELY)



PDAH14-K					
Model No.	ARS Kit •	Width	Painted	Stainless	Overlay+
PDAH14-K30	ARS-10	30"	1,153	1,593	2,292
PDAH14-K36		36"	1,176	1,629	2,377
PDAH14-K42		42"	1,237	1,749	2,598
PDAH14-K48		48"	1,295	1,814	2,733

• ARS KIT IS REQUIRED FOR INSTALLATION, SOLD SEPARATELY.
+FOR OVERLAY HOODS, SPECIFY INTERIOR COLOR

DUCT COVERS FOR PDAH14-K					
Model No	Width	Height	Painted	Stainless	Overlay
WDCAND-10/22	10"	22"	655	718	795
WDCAND-10/34		34"	706	795	925

SHOWN WITH MATCHING DUCT COVER AND ARS FILTER KIT (SOLD SEPARATELY)

ARS FILTER KITS

Model No.	Description	Price
ARS-10	ARS Filter Assembly for PDAH14-K	397
ARSLP-12	ARS Filter Assembly - Low Profile	294

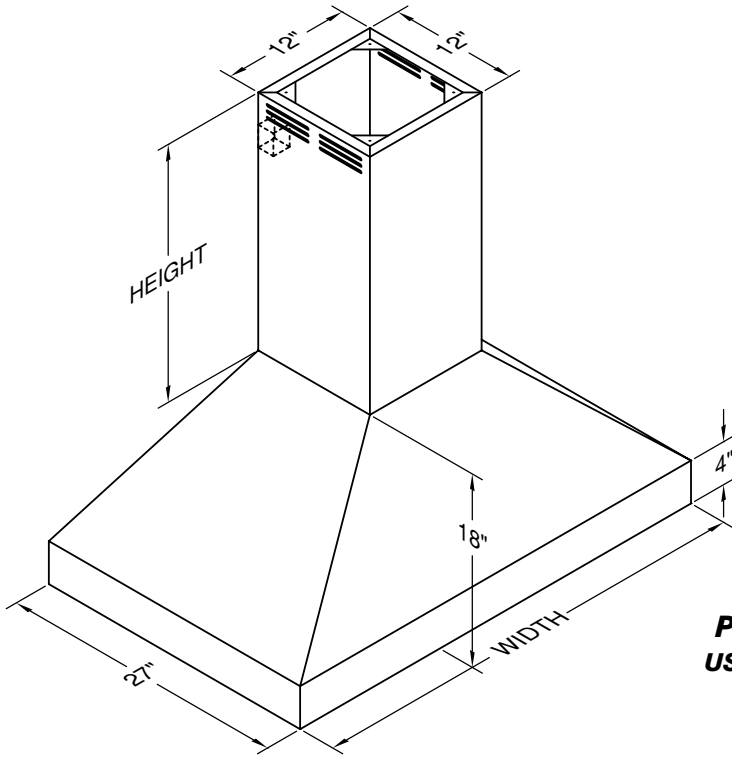
ARS FILTER REPLACEMENT PARTS

Model No.	Description	Price
PARS-10	10" x 10" Replacement H.E. Filter Assembly	320
PARS-12	12" x 12" Replacement H.E. Filter Assembly	320
PARS-C	Replacement Activated Carbon Pellets - 1 Gallon	65

THE H.E. FILTER ASSEMBLY AND ACTIVATED CARBON MEDIA SHOULD BE CHANGED AS NEEDED BASED ON USAGE.

STOCK ITEMS LOCATED ON PAGE 28.

ARS DUCT FREE EURO-STYLE ISLAND



**PYDAH 18-K
USES ARSLP-12**

PYDAH 18-K

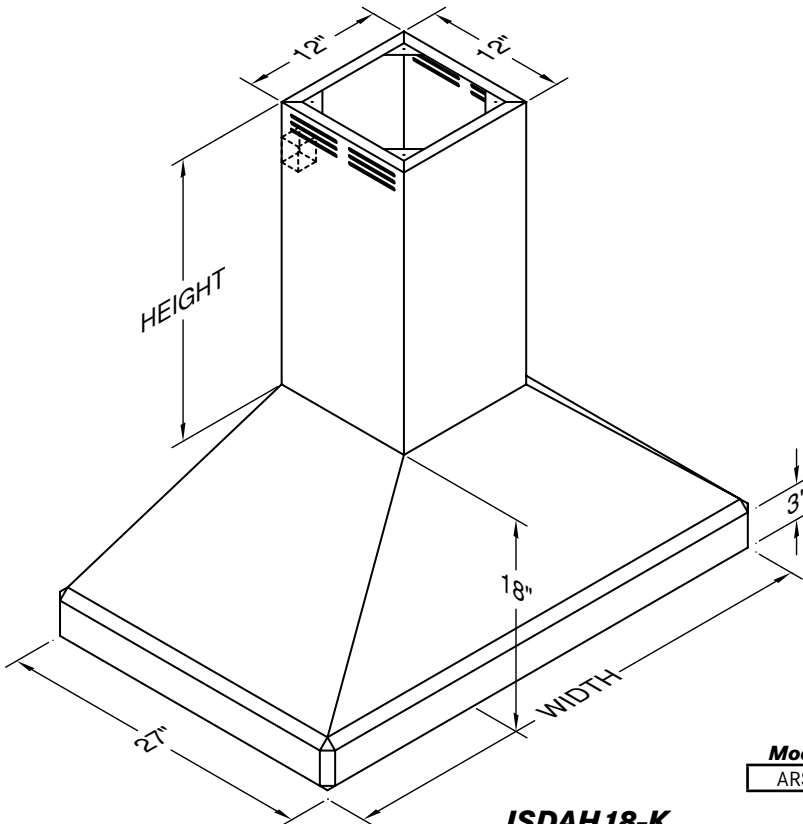
Model No.	ARS Kit •	Width	Painted	Stainless
PYDAH 18-K36	ARSLP-12	36"	2,745	3,736
PYDAH 18-K42		42"	2,862	3,892

• ARS KIT IS REQUIRED FOR INSTALLATION, SOLD SEPARATELY.

DUCT COVERS FOR PYDAH 18-K

Model No.	Width	Height	Painted	Stainless
IDCAND-12/24	12"	24"	718	809
IDCAND-12/36		36"	783	898

SHOWN WITH MATCHING DUCT COVER AND ARSLP-12 FILTER KIT (SOLD SEPARATELY)



**ISDAH 18-K
USES ARSLP-12**

ISDAH 18-K

Model No.	ARS Kit •	Width	Painted	Stainless
ISDAH 18-K36	ARSLP-12	36"	3,251	4,270
ISDAH 18-K42		42"	3,367	4,427

• ARS KIT IS REQUIRED FOR INSTALLATION, SOLD SEPARATELY.

DUCT COVERS FOR PYDAH 18-K

Model No.	Width	Height	Painted	Stainless
IDCAND-12/24	12"	24"	718	809
IDCAND-12/36		36"	783	898

SHOWN WITH MATCHING DUCT COVER AND ARSLP-12 FILTER KIT (SOLD SEPARATELY)

ARS FILTER KITS

Model No.	Description	Price
ARSLP-12	ARS Filter Assembly - Low Profile	294

ARS FILTER REPLACEMENT PARTS

Model No.	Description	Price
PARS-12	12" x 12" Replacement H.E. Filter Assembly	320
PARS-C	Replacement Activated Carbon Pellets - 1 Gallon	65

THE H.E. FILTER ASSEMBLY AND ACTIVATED CARBON MEDIA SHOULD BE CHANGED AS NEEDED BASED ON USAGE.

M SERIES BY VENT-A-HOOD



Vent-A-Hood, the company that created the residential range hood, has unveiled the new M Series Hood. An extension to the M Series Liner that debuted in 2010, the exposed canopy and signature Vent-A-Hood design offer a designer look at a contractor's price.



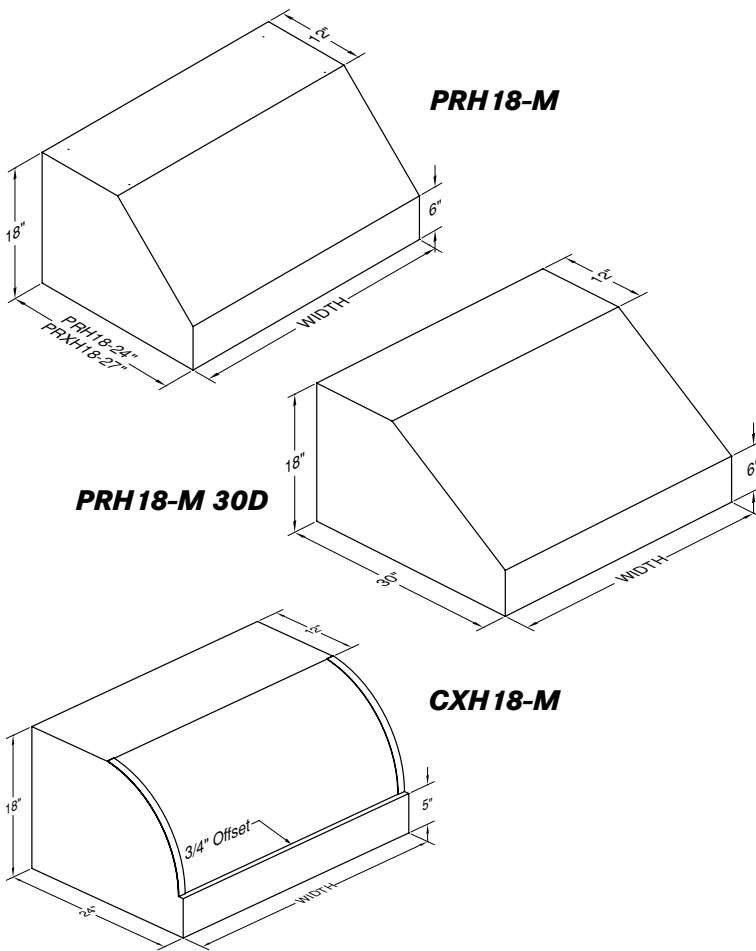
The M Series features a stainless steel canopy with a baffle filter/blower system that offers high air flow volume in 600 to 1000 CFM options. The canopy is 18-inches high, 24 inches deep and comes in standard widths of 30, 36, 42, 48, 54, 60 and 66 inches. Standard duct covers are also available for 8, 9 or 10-foot ceilings and are priced separately.



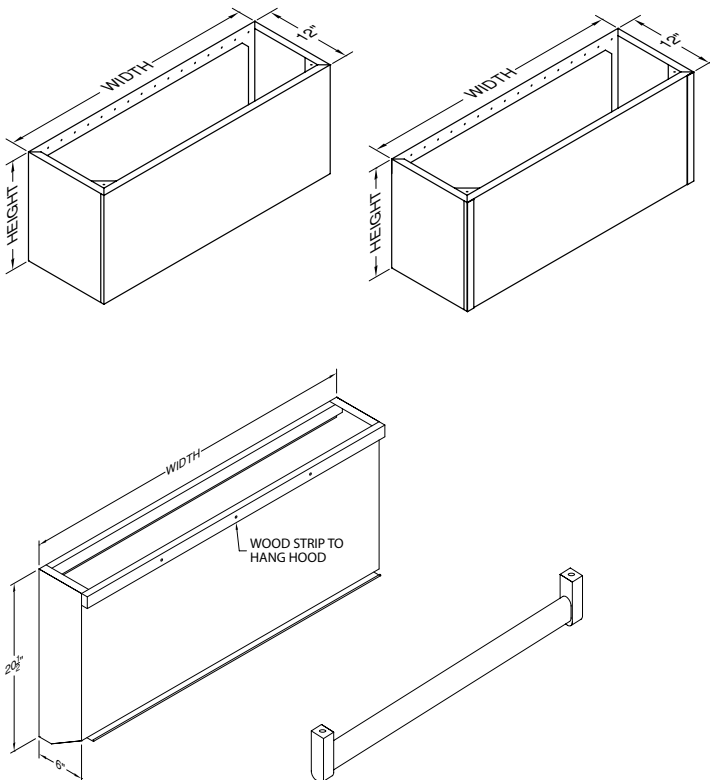
The M Series substitutes the company's signature Magic Lung filtration system with a baffle filter/blower system with high air flow volume.

Priced less than its standard liners, the M Series is available in widths of 28 3/8", 34 3/8", 40 3/8", 46 3/8", 52 3/8", 58 3/8" and 64 3/8".

M SERIES WALL MOUNT



STOCK ITEMS LOCATED ON PAGE 24-26 AND 30.



PRH 18-M/PRXH 18-M

Model No.	Width	Price	Filters
PRH 18-M30 SS	30"	1,260	2
PRH 18-M36 SS	36"	1,281	2
PRH 18-M42 SS	42"	1,385	2
PRH 18-M48 SS	48"	1,462	3
PRH 18-M54 SS	54"	1,787	3
PRH 18-M60 SS	60"	1,941	4
PRH 18-M66 SS	66"	2,072	4

FOR 27" DEEP MODEL, ORDER PRXH 18-M (NO ADDITIONAL COST)
BLOWER SOLD SEPARATELY
STAINLESS STEEL BAFFLE FILTERS AND GU10 LIGHTING INCLUDED.

PRH 18-M 30"D

Model No.	Width	Price	Filters
PRH 18-M36x30 SS	36"	1,894	2
PRH 18-M42x30 SS	42"	2,085	2
PRH 18-M48x30 SS	48"	2,227	3
PRH 18-M54x30 SS	54"	2,623	3

BLOWER SOLD SEPARATELY
STAINLESS STEEL BAFFLE FILTERS AND GU10 LIGHTING INCLUDED.

CXH 18-M

Model No.	Width	Price	Filters
CXH 18-M30 SS	30"	1,610	2
CXH 18-M36 SS	36"	1,632	2
CXH 18-M42 SS	42"	1,741	2
CXH 18-M48 SS	48"	1,873	3
CXH 18-M54 SS	54"	2,165	3
CXH 18-M60 SS	60"	2,329	4
CXH 18-M66 SS	66"	2,535	4

BLOWER SOLD SEPARATELY
STAINLESS STEEL BAFFLE FILTERS AND GU10 LIGHTING INCLUDED.
1" STAINLESS STEEL BANDS INCLUDED.

WALL MOUNT DUCT COVER OPTIONS

Model No.	Width	Height	Price
WDCM-30 SS	30"	12"	490
WDCM-30/24 SS		24"	693
WDCM-30/36 SS		36"	897
WDCM-36 SS	36"	12"	530
WDCM-36/24 SS		24"	775
WDCM-36/36 SS		36"	1,018
WDCM-42 SS	42"	12"	573
WDCM-42/24 SS		24"	857
WDCM-42/36 SS		36"	1,140
WDCM-48 SS	48"	12"	612
WDCM-48/24 SS		24"	937
WDCM-48/36 SS		36"	1,262
WDCM-54 SS	54"	12"	653
WDCM-60 SS	60"	12"	693
WDCM-66 SS	66"	12"	734

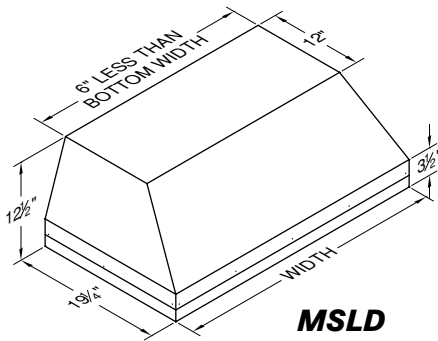
USE XDCM MODEL NUMBER PREFIX FOR CXH 18-M HOODS.
1" STAINLESS STEEL BANDS INCLUDED ON XDCM MODELS.

M SERIES BBQ EXTENSION

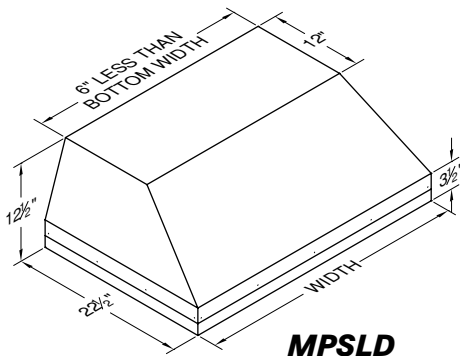
Model No.	Width	Price	WR Rail	Price
BBE-M30 SS	30"	462	WR-M30	92
BBE-M36 SS	36"	544	WR-M36	102
BBE-M42 SS	42"	595	WR-M42	102
BBE-M48 SS	48"	637	WR-M48	108
BBE-M54 SS	54"	683	WR-M54	108
BBE-M60 SS	60"	729	WR-M60	108

WR RAIL SOLD SEPARATELY
FOR USE ON CXH 18-M, PRH 18-M, AND PRXH 18-M

M SERIES WALL MOUNT LINER INSERTS & BLOWERS



MSLD



MPSLD

MSLD

Model No.	Width	Price	Filters
M28SLD SS	28 3/8"	666	2
M34SLD SS	34 3/8"	666	2
M40SLD SS	40 3/8"	736	2
M46SLD SS	46 3/8"	914	3
M52SLD SS	52 3/8"	1,586	3
M58SLD SS	58 3/8"	1,679	4
M64SLD SS	64 3/8"	1,917	4

BLOWER SOLD SEPARATELY
STAINLESS STEEL BAFFLE FILTERS AND GU10 LIGHTING INCLUDED.

MPSLD

Model No.	Width	Price	Filters
M28PSLD SS	28 3/8"	666	2
M34PSLD SS	34 3/8"	666	2
M40PSLD SS	40 3/8"	736	2
M46PSLD SS	46 3/8"	914	3
M52PSLD SS	52 3/8"	1,586	3
M58PSLD SS	58 3/8"	1,679	4
M64PSLD SS	64 3/8"	1,917	4

BLOWER SOLD SEPARATELY
STAINLESS STEEL BAFFLE FILTERS AND GU10 LIGHTING INCLUDED.



M600



M1200

BLOWER OPTIONS

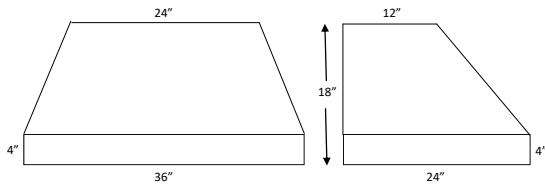
Model No.	CFM+	Amps	Price	Incl. •	Duct Size
M600	630	5.0	442	N/A	6" Round
M1200	1035	10.0	850	VP566	10" Round
WHM300*	300	5.0	13	N/A	6" Round
WHM400*	400	5.0	13	N/A	6" Round

+ CFM RATING IS AT 0.0" STATIC PRESSURE
• VP566 TRANSITION IS PACKAGED SEPARATELY FROM M1200 BLOWER
* WHM300 IS A HARNESS TO BE USED WITH THE M600 WHICH LIMITS TO 300 CFM
* WHM400 IS A HARNESS TO BE USED WITH THE M600 WHICH LIMITS TO 400 CFM

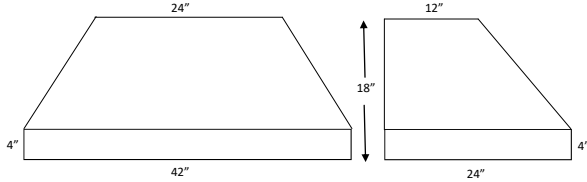
STOCK ITEMS LOCATED ON PAGE 26 AND 29.

M SERIES WALL MOUNT

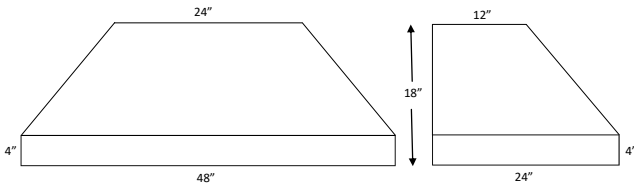
EPH18-M36 SS



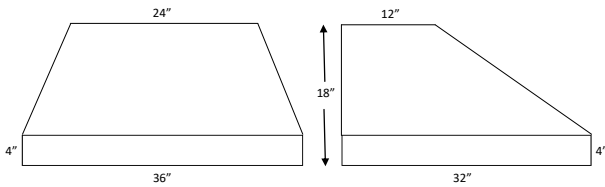
EPH18-M42 SS



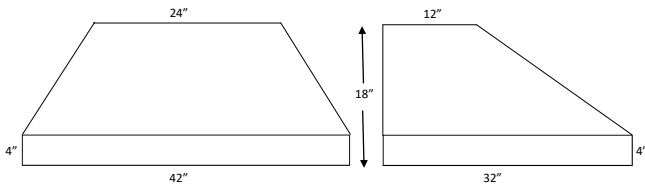
EPH18-M48 SS



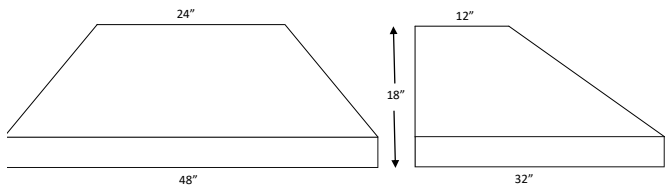
EPH18-M36X32 SS



EPH18-M42X32 SS



EPH18-M48X32 SS



HOODS

Model No.	Width	Price	Filters
EPH18-M36 SS	36"	1,644	2
EPH18-M42 SS	42"	1,802	2
EPH18-M48 SS	48"	1,914	2
EPH18-M36X32 SS	36"	2,416	2
EPH18-M42X32 SS	42"	2,636	2
EPH18-M48X32 SS	48"	2,810	2

DUCT COVERS

Model No.	Width	Price
WDCM-24/12 SS	12"	490
WDCM-24/24 SS	24"	693
WDCM-24/36 SS	36"	897

BLOWERS

Model No.	Price
M600	442
M1200	850

STOCK ITEMS LOCATED ON PAGE 30.

V-LINE BY VENT-A-HOOD

V-LINE FEATURES:

- 250 CFM (375 Equivalent)
- Back Vent or Top Vent
- Efficient
- Easy cleaning
- LED Lighting with Dimmer
- Equipped with the Sensasource® heat sensor
- One year warranty
- Designed for light to moderate cooking

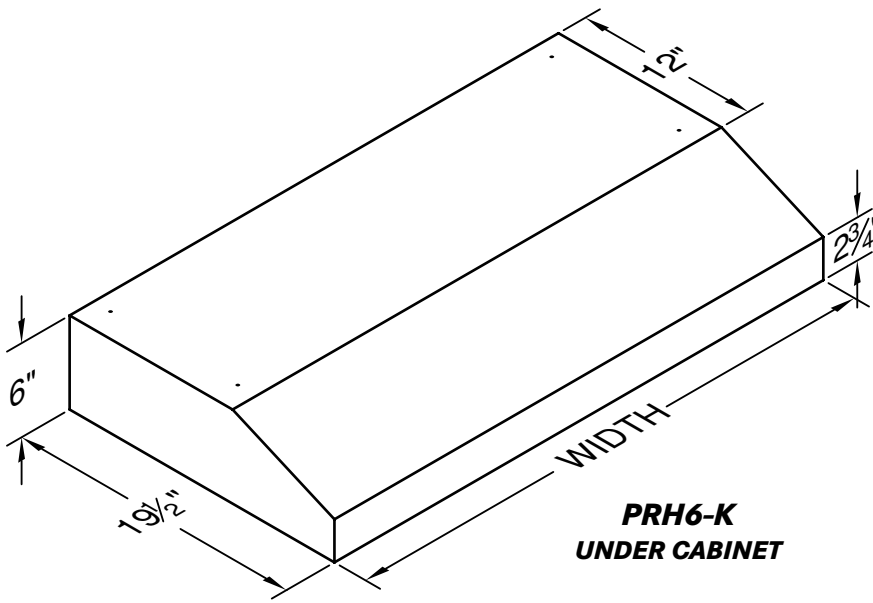


SLH6-K - Under Cabinet Hood

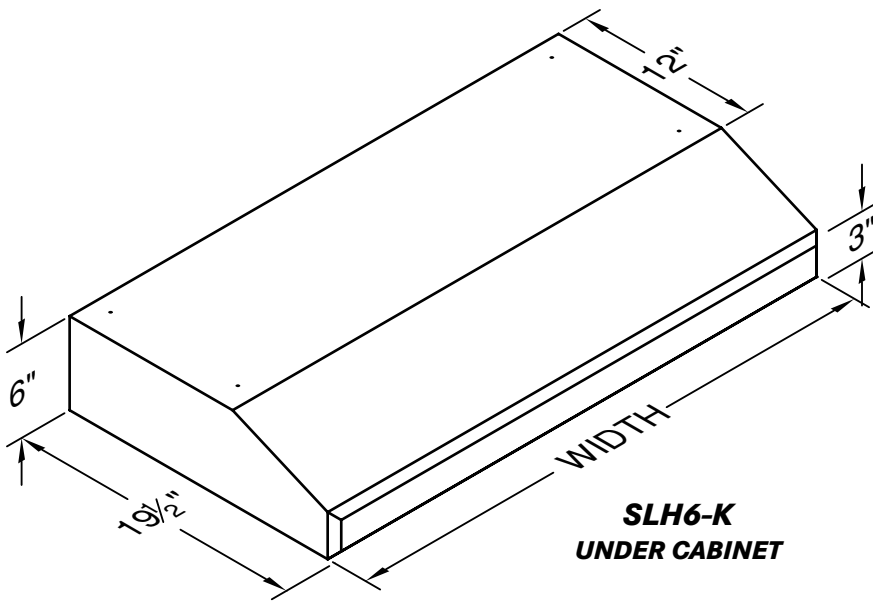


KHSLD - Liner Insert

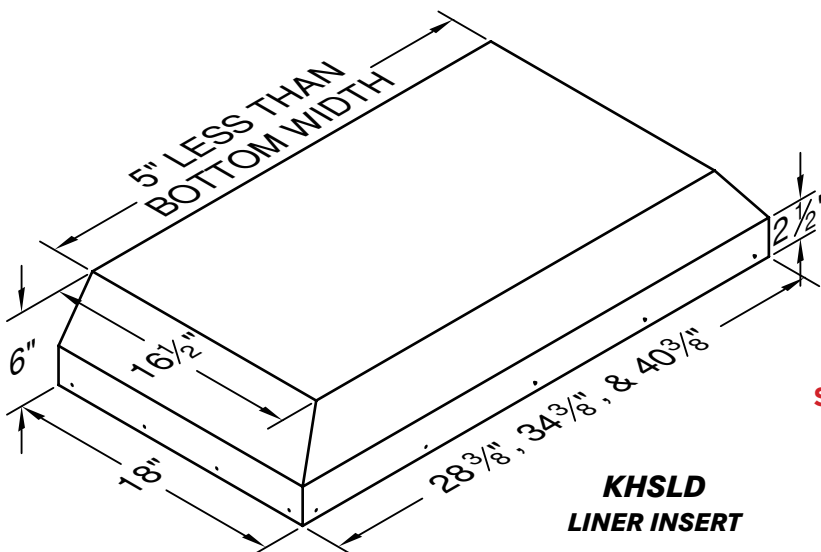
V-LINE UNDER CABINET & LINER INSERT



PRH6-K				
Model No.	CFM	Width	Painted	Stainless
PRH6-K24	250	24"	582	699
PRH6-K30		30"	582	699
PRH6-K36		36"	582	699
PRH6-K42		42"	683	846



SLH6-K				
Model No.	CFM	Width	Painted	Stainless
SLH6-K24	250	24"	582	699
SLH6-K30		30"	582	699
SLH6-K36		36"	582	699
SLH6-K42		42"	683	846

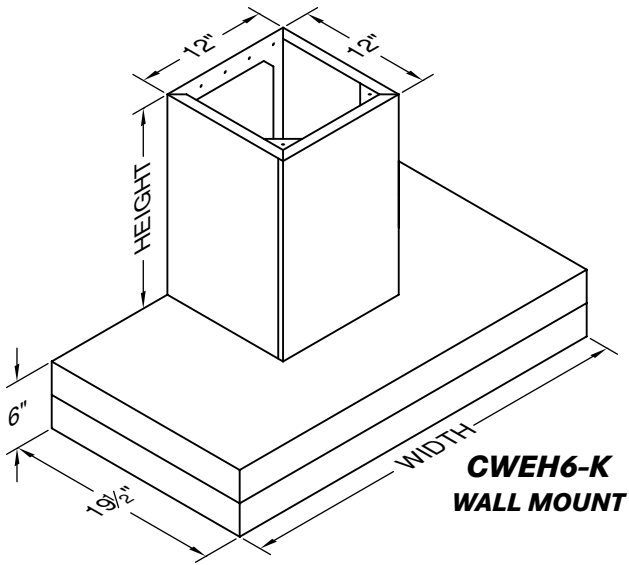


KHS LD				
Model No.	CFM	Width	Painted	Stainless
KH28SLD	250	28 3/8"	525	643
KH34SLD		34 3/8"	525	643
KH40SLD		40 3/8"	624	752

OPTIONAL TRIM KITS			
Model No.	WIDTH	PAINTED	STAINLESS
TKK28SLD	28-3/8"	21.63	21.63
TKK34SLD	34-3/8"	21.63	21.63
TKK40SLD	40-3/8"	22.66	22.66

STOCK ITEMS LOCATED ON PAGE 27 AND 28.

V-LINE CONTEMPORARY WALL MOUNT & ISLAND

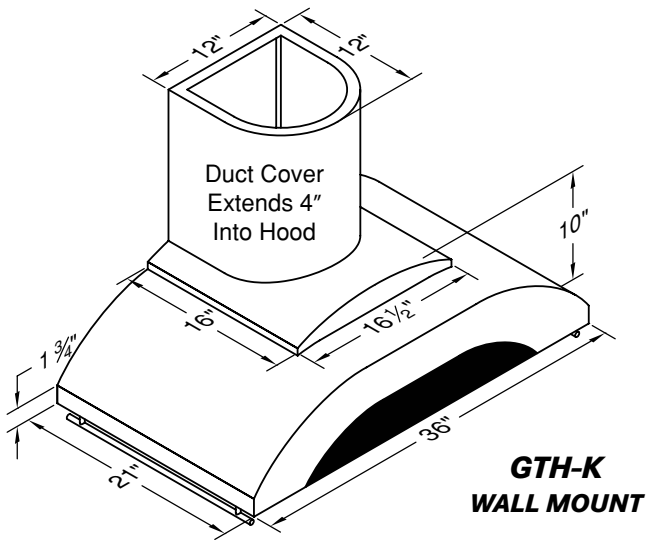


CWEH6-K

Model No.	CFM	Width	Painted	Stainless
CWEH6-K30	250	30"	1,046	1,330
CWEH6-K36		36"	1,046	1,330
CWEH6-K42		42"	1,223	1,555
CWEH6-K48		48"	1,282	1,616

DUCT COVERS FOR CWEH6-K

Model No.	Width	Height	Painted	Stainless
WDCRND-12/18	12"	18"	629	680
WDCRND-12/30		30"	693	795
WDCRND-12/42		42"	757	911
CUSTOM	WIDTH X HEIGHT X PLUS		0.48	0.77
			398	



GTH-K

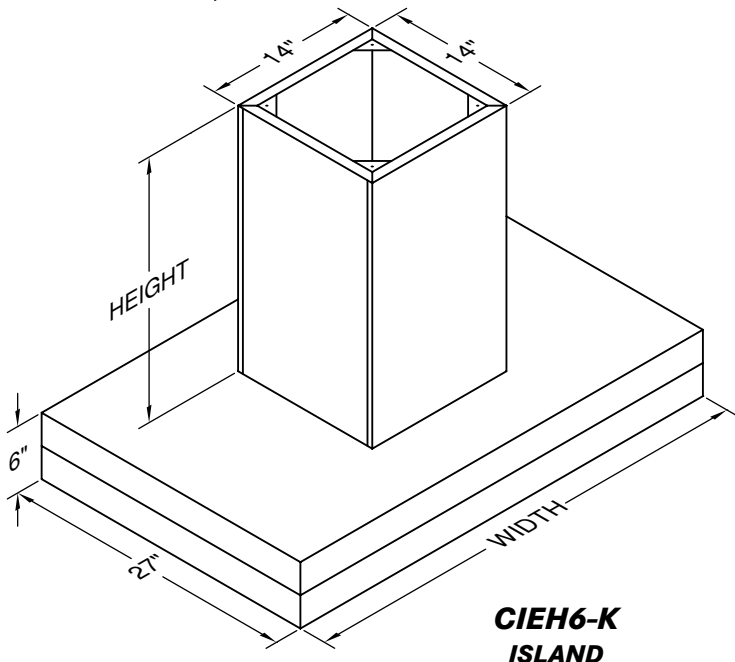
Model No.	CFM	Width	Stainless
GTH-K36	250	36"	1,282

DUCT COVERS FOR GTH-K

Model No.	Width	Height	Stainless
WGDC-12/18	12"	18"	565
WGDC-12/30		30"	680
WGDC-12/42		42"	795
CUSTOM	WIDTH X HEIGHT X PLUS		0.77
			398

GTH-K VARIATIONS

REMOVE FIXED LENGTH SS RAIL	
ADD	233



CIEH6-K

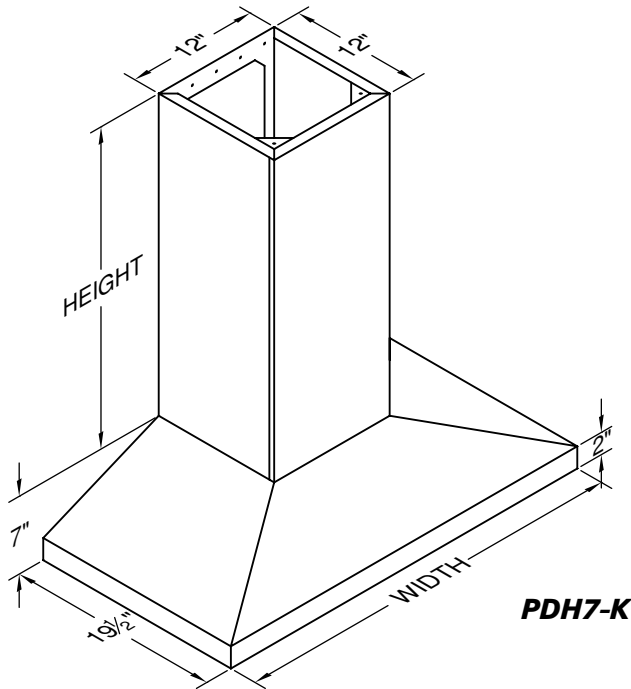
Model No.	CFM	Width	Painted	Stainless
CIEH6-K36	250	36"	1,726	2,556
CIEH6-K42		42"	1,819	2,696

DUCT COVERS FOR CIEH6-K

Model No.	Width	Height	Painted	Stainless
IDCRND-14/24	12"	24"	612	685
IDCRND-14/36		36"	719	828
CUSTOM	WIDTH X HEIGHT X PLUS		0.64	0.85
			398	

STOCK ITEMS LOCATED ON PAGE 27 AND 28.

V-LINE EURO-STYLE WALL MOUNT

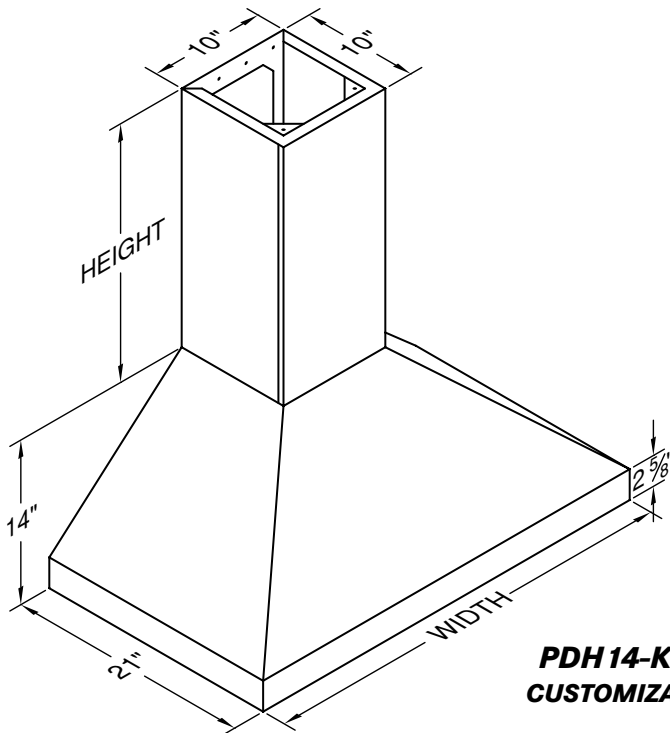


PDH7-K

Model No.	CFM	Width	Painted	Stainless
PDH7-K30	250	30"	1,046	1,330
PDH7-K36		36"	1,046	1,330

DUCT COVERS FOR PDH7-K

Model No.	Width	Height	Painted	Stainless
W7DCRND-12/17	12"	17"	497	554
W7DCRND-12/29		29"	569	665
W7DCRND-12/41		41"	638	777
CUSTOM	WIDTH X HEIGHT X PLUS		0.48	0.77
				398



PDH14-K

Model No.	CFM+	Width	Painted	Stainless	Overlay*
PDH14-K30	250	30"	1,153	1,593	2,292
PDH14-K36		36"	1,176	1,629	2,377
PDH14-K42		42"	1,237	1,749	2,598
PDH14-K48		48"	1,295	1,814	2,733

- FOR OVERLAY HOODS, SPECIFY INTERIOR COLOR
- +VP521 TRANSITION TO 7" ROUND INCLUDED
- FOR VARIATIONS SEE PDF LINK

DUCT COVERS FOR PDH14-K

MODEL NO.	WIDTH	HEIGHT	PAINTED	STAINLESS	OVERLAY
WDCRND-10/10		10"	437	475	513
WDCRND-10/22	10"	22"	501	565	655
WDCRND-10/34		34"	565	655	795
CUSTOM	WIDTH X HEIGHT X PLUS		0.48	0.77	1.21
				398	

STOCK ITEMS LOCATED ON PAGE 27 AND 28.

PDH14-K EURO-STYLE WALL MOUNT HOOD VARIATIONS					
SPECIAL WIDTH (LESS THAN 48")			STAINLESS STEEL INTERIOR ON OVERLAY HOOD		
USE NEXT LARGEST SIZE ON PRICE LIST, PLUS			SUBTRACT PAINTED HOOD PRICE FROM STAINLESS HOOD PRICE		
233			CUSTOM COLOR (SEE CUSTOM COLOR CHART)		
DEPTH OVER 21"			ADD		
			700		
PAINTED			TRIM OPTIONS		
STAINLESS			SEE PAGES 52-53 FOR FINISH AND TRIM OPTIONS		
OVERLAY					
WIDTH X EXTRA DEPTH X PLUS	1.14	1.69	2.30		
		398			

BLOWER OPTIONS

You may need to add a blower to hoods to increase CFM, depending on the cooking equipment being used. To add a blower to a hood, you need to have enough top space inside of the hood to do so. A Single Blower requires 16" of space, a Dual Blower requires 24" of space, an Island Dual Blower requires 12" D x 23 1/2" W, and an Island Cluster Blower requires 24" D x 24" W.

ADDING BLOWERS

Model	Volts	Amps	Hz	RPM	*CFM	**Equiv CFM	Painted	Stainless Steel
Single Blower	120	1.5	60	1550	300	450	397	490
Dual Blower	120	2.9	60	1550	600	900	770	898
Island Dual Blower	120	2.9	60	1550	550	900	793	1,016
Island Cluster Blower	120	5.8	60	1550	1100	1800	1,587	2,030
RM1000	120	3.2	60	1100	945	N/A	1,162	
RM1500	120	5.0	60	1130	1500	N/A	1,460	

SensaSource® - Our patented speed control system that allows the blower to be turned to half speed for light cooking but automatically returns to high speed when heat rise is detected. This feature is standard on all Magic Lung® and K Series models with halogen lighting.

SensaSource®

Convert two-speed blower to auto-on SensaSource® control (one for each single or dual blower) 103 ea.

* CFM rating is based on 0.0" static pressure (resistance in the ducting turns, roof caps, etc.) CFM rating will change as static pressure is increased. Static pressure increases due to ducting and length of duct run.

** Equivalent CFM refers to the fact that the Magic Lung® uses centrifugal filtration units, while others use conventional filters. Apply this guideline when comparing blower units made by other manufacturers.

There are certain customers who will want a remote blower range hood despite the benefits of the Magic Lung blower system. The following steps will help you when pricing remote blower hoods.

1. Specify how many and which filters you will be using. B20 SS filters are for wall mount or under cabinet installations and T20 SS filters are for island installations. We recommend one B20 SS or T20 SS for each 22" of hood top width.
2. Specify the size and number of remote blowers you will need. The RM1000 is equivalent to a B200 or T200 blower. The RM1500 is 50% larger.
3. For each remote blower, you will need to add an accessory kit. The accessory kit includes a variable speed blower controller, LED lights, back draft dampers, and a 10" duct collar.

DEDUCTING BLOWERS FOR REMOTE BLOWER MODELS

BLOWER PRICING BELOW IS FOR USE IN CALCULATING DEDUCTIONS FOR REMOTE BLOWERS ONLY.		
MODEL	PAINTED	STAINLESS
B100 (SINGLE BLOWER)	397	490
B200 (DUAL BLOWER)	770	898
T200 (ISLAND DUAL BLOWER)	793	1,016
T400 (ISLAND CLUSTER BLOWER)	1,587	2,030
SPECIAL COLLAR		233

REMOTE BLOWERS

HOOD SELECTION/PRICING WITH REMOTE BLOWERS

1. CHOOSE THE BASE MODEL HOOD THAT IS TO BE EQUIPPED WITH A REMOTE BLOWER.
2. DEDUCT THE PRICE OF THE INTERNAL BLOWER(S) FROM THE HOOD (SEE PREVIOUS PAGE).
3. ADD THE APPROPRIATE ACCESSORY KIT (SEE RIGHT).
4. ADD THE APPROPRIATE FILTERS (SEE BELOW).
5. ADD THE APPROPRIATE REMOTE BLOWER UNIT(S) (SEE BELOW).

LIGHT KITS

INCLUDES LED LIGHTS, TWO-STAGE LIGHT SWITCH, SOLID STATE MOTOR CONTROL SWITCH (VARIABLE SPEED) AND 10" DAMPER ASSEMBLY INSTALLED IN HOOD.

ACC.KIT-W-H2 (2 LED LIGHTS/WALL MT)	502
ACC.KIT-W-H3 (3 LED LIGHTS/WALL MT)	636
ACC.KIT-W-H4 (4 LED LIGHTS/WALL MT)	770
ACC.KIT-I-H4 (4 LED LIGHTS/ISLAND)	1,044
ACC.KIT-I-H8 (8 LED LIGHTS/ISLAND)	1,570

ACCESSORY KIT PARTS

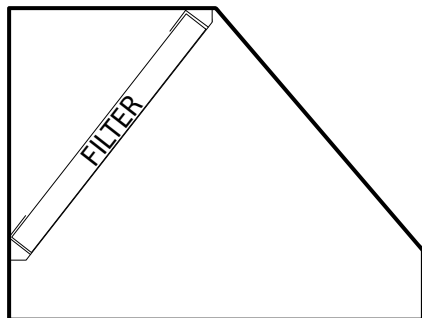
SOLID STATE (VARIABLE SPEED) MOTOR
CONTROL WALL SWITCH (P1500W) 88

ACCESSORY KIT PARTS

WHEN ORDERED WITH HOOD

TO ADD MOTOR CONTROL WALL SWITCH ASSEMBLY
ADD (P1500R) 22

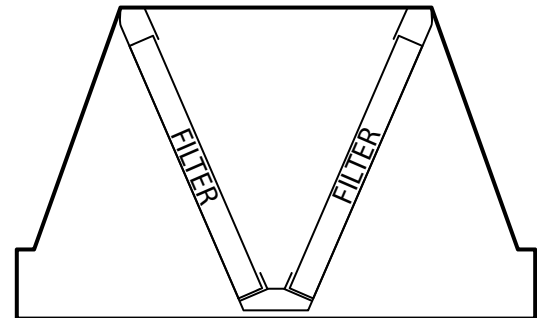
WALL MOUNT BAFFLE FILTER



WALL MOUNT SIDE VIEW

B20 SS (PER FILTER) 385
(SPECIFY ONE B20 SS FOR EACH 22" OF HOOD TOP WIDTH)

ISLAND BAFFLE FILTER

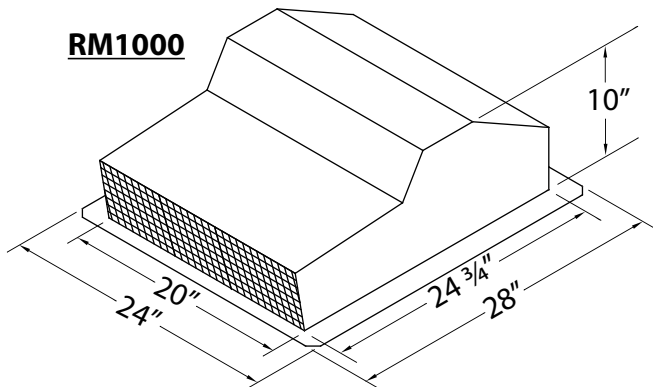


ISLAND SIDE VIEW

T20 SS (PER PAIR OF FILTERS) 770
(SPECIFY ONE PAIR OF T20 SS FOR EACH 22" OF HOOD TOP WIDTH)

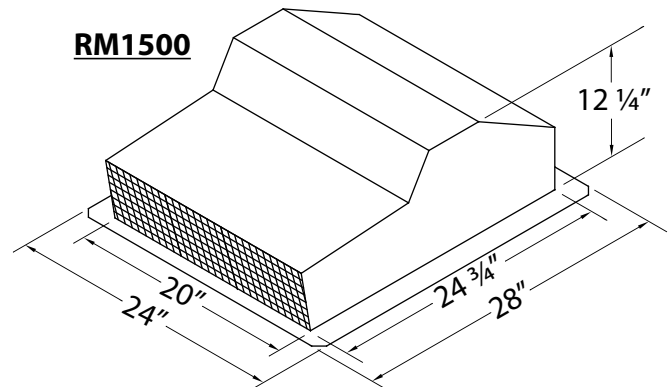
REMOTE BLOWERS

RM1000



RM1000 REMOTE BLOWER 1,162

RM1500



RM1500 REMOTE BLOWER 1,460

SPLASH PANELS

STANDARD SPLASH PANELS

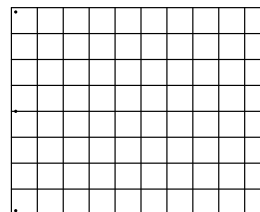
Panel Size	Painted	Stainless	Overlay
30" W x 24" T	59	97	232
36" W x 24" T	71	115	277
42" W x 24" T	83	135	320
48" W x 24" T	90	155	372
30" W x 30" T	71	123	289
36" W x 30" T	83	148	347
42" W x 30" T	103	167	405
48" W x 30" T	115	193	462
SPECIAL SIZES (SPECIFY IF HEMS/HOLES REQUIRED)			
PER SQ INCH	0.12	0.21	0.30



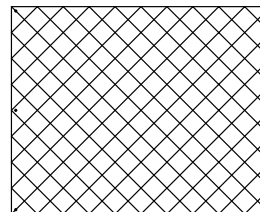
HEMS AND HOLES ARE INCLUDED ON STANDARD SIZES, PRICE AS A CUSTOM PANEL IF HEMS AND/OR HOLES ARE NOT REQUIRED.

OVERLAY & PATTERNED SPLASH PANELS

Panel Size	Painted	Stainless	Overlay
30" W x 24" T Pat.	162	200	335
36" W x 24" T Pat.	174	218	380
42" W x 24" T Pat.	186	238	423
48" W x 24" T Pat.	193	258	475
30" W x 30" T Pat.	174	226	392
36" W x 30" T Pat.	186	251	450
42" W x 30" T Pat.	206	270	508
48" W x 30" T Pat.	218	296	565
SPECIAL SIZES (SPECIFY IF HEMS/HOLES REQUIRED)			
PER SQ INCH	0.12	0.21	0.30
PLUS		103	



CHECKERBOARD



DIAMOND

HEMS AND HOLES ARE INCLUDED ON STANDARD SIZES, PRICE AS A CUSTOM PANEL IF HEMS AND/OR HOLES ARE NOT REQUIRED.

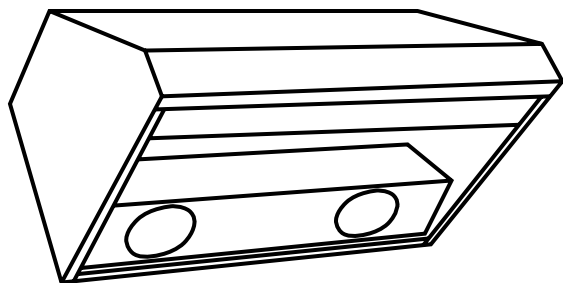
OTHER SPLASH PANEL OPTIONS

Ordering Notes and Options:

PAINTED SPLASH PANELS MUST HAVE AT LEAST ONE HOLE IN THEM TO ALLOW FOR PAINTING.	
FOR CUT-OUTS OR SPECIAL BREAKS, ADD	27
CRATING CHARGE FOR PANELS TOO LARGE TO PACKAGE WITH HOOD, ADD	45
MINIMUM CHARGE ON SMALL PANELS	27

WARMING LAMPS & SHELVES

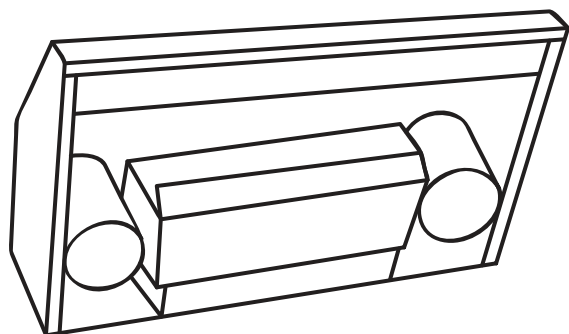
WARMING BAR



FOR USE IN HOODS 18" OR TALLER.
NOT AVAILABLE ON HOODS WITH DECKS BELOW 18".
BULBS NOT INCLUDED.

Model No.	Price
WBAR INCLUDES 2 LIGHTS	398
FOR ADDITIONAL LIGHTS, ADD	398
PLUS, PER LIGHT	238

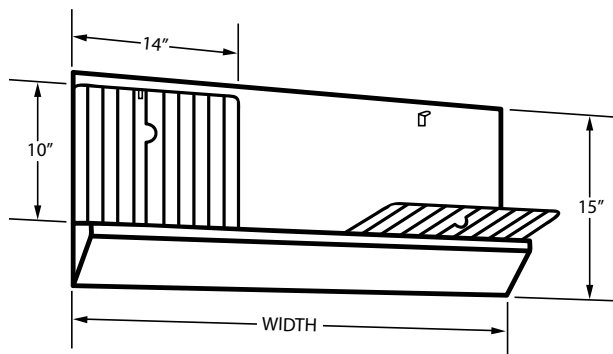
WARMING LAMP HOUSING



FOR USE IN HOODS UNDER 18" TALL.
8" TOP DIMENSION REQUIRED PER FIXTURE.
BULBS NOT INCLUDED.

Model No.	Price Per Light
WL-1	238

WARMING SHELF



TWO FOLD DOWN SHELVES ON A BACKSPLASH.
MOUNTED ON A 3 1/2" DEEP LEDGE.
EACH SHELF IS 10" DEEP x 14" WIDE.
STAINLESS BACKSPLASH IS 15" TALL.

Model No.	Width	Price
WS030	30"	475
WS036	36"	520
WS042	42"	558
WS048	48"	611
WS054	54"	649
WS060	60"	693
WS066	66"	732
WS072	72"	783

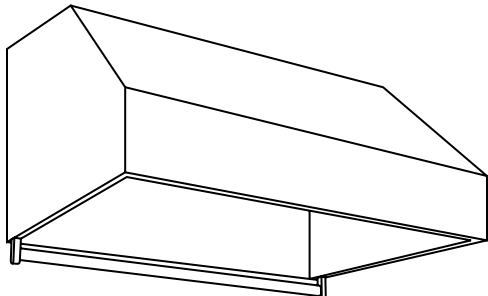
Model No.	Description	Price
P1415	Additional Shelf	238

WS0 With Non-Standard Width	Price
USE NEXT LARGEST SIZE ON PRICE LIST PLUS	238

ACCESSORY RAIL

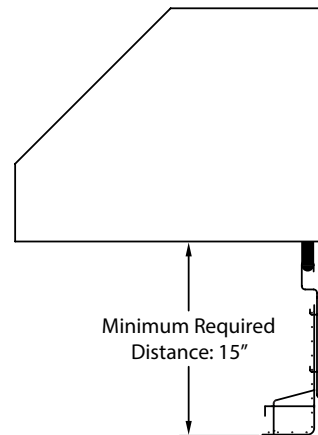
MODEL WR0

WR0 kit installed on hood includes mounting hardware, accessory rail, two hanger brackets, and two warming shelves with spice racks.



Model No.	Width	Price
WR030	30"	461
WR036	36"	467
WR042	42"	467
WR048	48"	484
WR054	54"	484
WR060	60"	484
WR066	66"	567
WR072	72"	584
UP TO 120"		584

SPECIAL WIDTH: USE NEXT LARGEST SIZE.



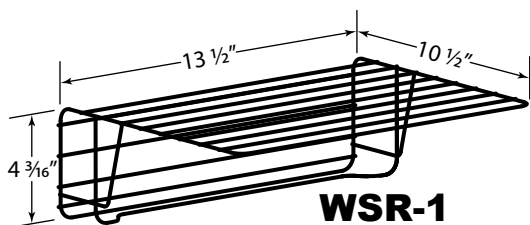
MODEL WR0L

For use with liner inserts. Specify exact width between cabinets. Use next largest size price for WR0 listed to the right. Kit includes mounting end caps, accessory rail, two hanger brackets, and two warming shelves with spice racks.

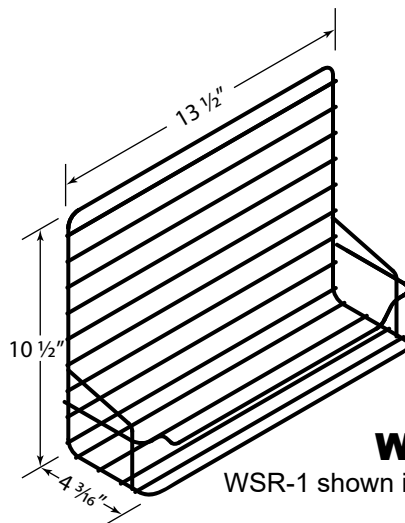
Hood must be at least 30" wide to allow sufficient space for two hanging brackets.

The minimum for hoods with the SL lip is 32" due to the decorative features of the SL lip.

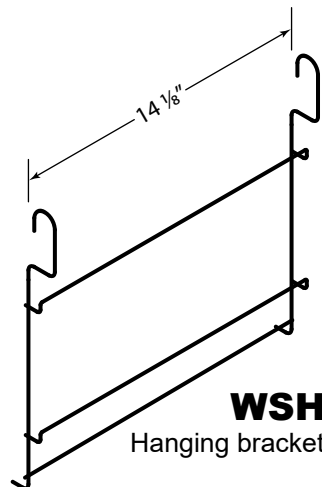
ADDITIONAL SHELVES/SPICE RACKS



WSR-1 shown in warming shelf position.



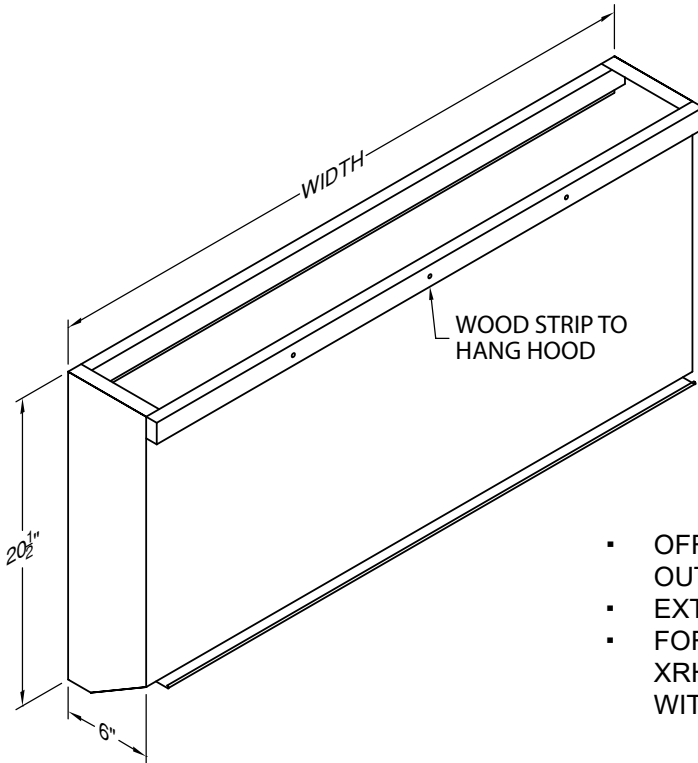
WSR-1 shown in spice rack position.



WSH-1
Hanging bracket for WSR-1.

Model No.	Description	Price
WSR-1	Warming Shelf/Rack	105
WSH-1	Hanging Bracket	59
WR0-EC	End Cap (2 Req.)	27

BBQ EXTENSION



Model No.	Width	Painted	Stainless
BBE30	30"	437	611
BBE36	36"	456	713
BBE42	42"	469	783
BBE48	48"	488	834
BBE54	54"	508	898
BBE60	60"	527	958

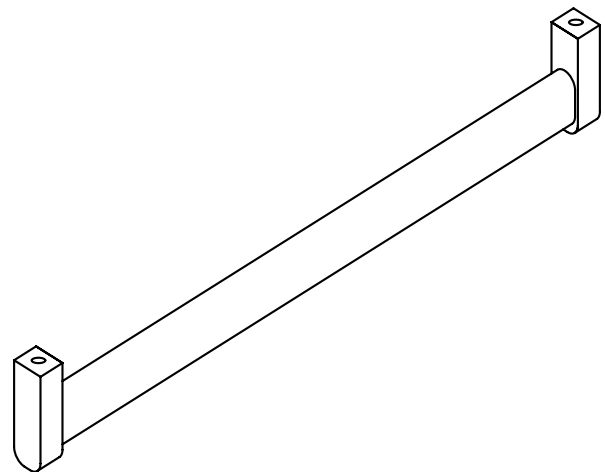
PRODUCT FEATURES

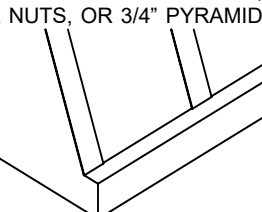
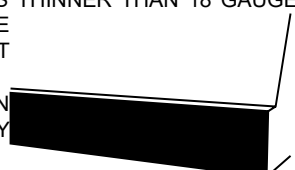
- OFFERS MAXIMUM CANOPY EXPOSURE OVER OUTDOOR GRILL APPLICATIONS
- EXTENDS PROJECTION TO 30" OR 33" DEEP
- FOR USE WITH PRH18, PRXH18, NPH18, NPXH18, XRH18, OR XRXH18 MODELS WHEN NOT EQUIPPED WITH A WARMING BAR.

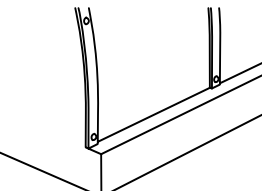
WR ACCESSORY RAIL

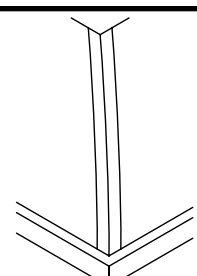
FOR USE WITH BBQ EXTENSION KIT.
AVAILABLE IN SS FINISH ONLY.

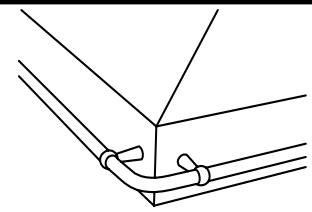
Model No.	Price
WR-30	123
WR-36	135
WR-42	135
WR-48	142
WR-54	142
WR-60	142

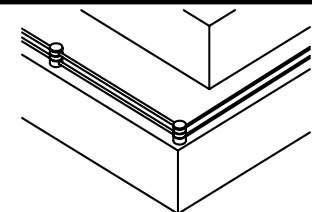


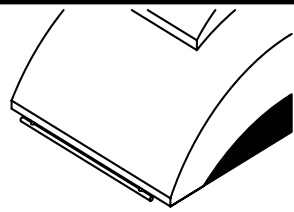
VERTICAL BANDS	LIP TREATMENT (L/T)
<p style="text-align: right;">18 GAUGE*</p> <p>1/2" WIDE: EACH BAND (UP TO 30") 176 1" WIDE: EACH BAND (UP TO 30") 176 2" WIDE: EACH BAND (UP TO 30") 176 TALLER THAN 30", PER INCH PER BAND, ADD 5.84</p> <p>* 18 GAUGE VERTICAL BANDS ARE ATTACHED WITH LAMINATE. 18 GAUGE VERTICAL BANDS CAN BE ATTACHED WITH 1/4" RIVETS, 1/2" RIVETS, 3/8" HEX NUTS, 1/2" HEX NUTS, OR 3/4" PYRAMID CLAVOS BY REQUEST. HAMMERED COPPER MATERIAL IS THINNER THAN 18 GAUGE MATERIAL. ATTACHMENTS ARE REQUIRED FOR HAMMERED COPPER BANDS AND FOR BANDS ON HAMMERED COPPER HOODS.</p> 	<p>18 GAUGE, PER INCH, ADD 5.84* 1/8" THICK x 1" TALL SOLID BRASS, SOLID COPPER, OR BRUSHED SS PER INCH, ADD 6.43** 1/4" THICK x 1" TALL SOLID BRASS, SOLID COPPER, OR BRUSHED SS PER INCH, ADD 7.00**</p> <p>* 18 GAUGE L/T IS ATTACHED WITH LAMINATE. 18 GAUGE L/T CAN BE ATTACHED WITH 1/4" RIVETS, 1/2" RIVETS, 3/8" HEX NUTS, 1/2" HEX NUTS, OR 3/4" PYRAMID CLAVOS BY REQUEST. HAMMERED COPPER MATERIAL IS THINNER THAN 18 GAUGE MATERIAL. ATTACHMENTS ARE REQUIRED FOR LIP TREATMENT ON HAMMERED COPPER HOODS. ** ATTACHED WITH 1/2" RIVETS. CAN BE ATTACHED WITH LAMINATE BY REQUEST.</p> 

HEAVY VERTICAL BANDS	
SOLID BRASS, SOLID COPPER, OR BRUSHED SS 1/8" THICK x 1" WIDE, EACH (UP TO 30") 193 TALLER THAN 30" PER INCH PER BAND, ADD 6.43 1/4" THICK x 1" WIDE, EACH (UP TO 30") 210 TALLER THAN 30", PER INCH PER BAND, ADD 7.00	
1/8" THICK AND 1/4" THICK HEAVY VERTICAL BANDS ARE ATTACHED WITH 1/2" RIVETS. CAN BE ATTACHED WITH LAMINATE BY REQUEST.	
	


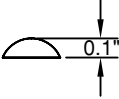
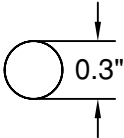

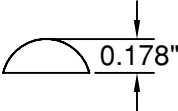


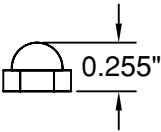
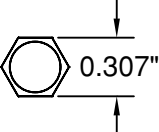
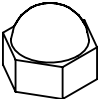
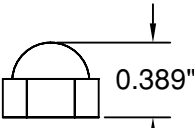
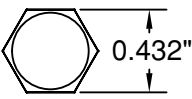
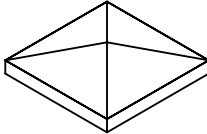
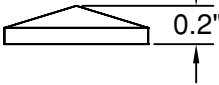
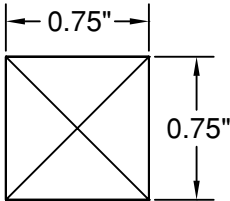
CORNER BANDS	
CORNER BANDS FOR STRAIGHT EDGES*	
1" x 1", EACH (UP TO 30") 350 2" x 2", EACH (UP TO 30") 350 TALLER THAN 30", PER INCH PER BAND, ADD 11.67	
CORNER BANDS FOR CONVEX/CONCAVE EDGES*	
1" x 1", EACH (UP TO 30") 700 2" x 2", EACH (UP TO 30") 700 TALLER THAN 30", PER INCH PER BAND, ADD 23.34	
* ATTACHED WITH LAMINATE. CAN BE ATTACHED WITH 1/4" RIVETS, 1/2" RIVETS, 3/8" HEX NUTS, 1/2" HEX NUTS, OR 3/4" PYRAMID CLAVOS BY REQUEST. +1" x 1" ATTACHED WITH 1/4" RIVETS. 2" x 2" ATTACHED WITH 1/2" RIVETS. CAN BE ATTACHED WITH 3/8" HEX NUTS, 1/2" HEX NUTS, OR 3/4" PYRAMID CLAVOS BY REQUEST. AVAILABLE IN PAINTED FINISHES OR STAINLESS STEEL ONLY. ALL CORNER BANDS ARE 18 GAUGE.	

POT RAIL	
	
TUBULAR (5/8" DIAMETER)	
BRASS, CHROME, OR COPPER: PER INCH* 9.33 ADDITIONAL HOOKS AVAILABLE IN SS, COPPER, OR BRASS P011: EACH 9.33	
* For pot rail that is less than the overall width or depth of the hood, charge for full width or depth. Examples- A 24" deep hood with 3" of pot rail on a side is priced as 24" of pot rail. A 48" wide hood with 36" of pot rail on the front is priced as 48" of pot rail.	

GALLEY RAIL	
	
GALLEY RAIL	
STAINLESS STEEL: PER INCH 7.00	

FIXED RAIL	
	
FIXED LENGTH SS RAIL (EACH)	
PR21 SS (19.53") 116 PR24 SS (22.05") 134 PR27 SS (24.57") 146 PR30 SS (28.35") 176	

COLORS					
	STANDARD Biscuit (BT) Black Satin (BL) Gunsmoke (GS) White (WH)	SPECIAL Black Carbide (BC) Black River (BR) Copper Vein (CV) Oil Rubbed Bronze (ORB) Pewter (PTR) Rust (RT) Rust Vein (RV) Silver Vein (SV) Slate (SL)	CUSTOM RAL Paint Colors A custom color chart is available for custom colors.	ANTIQUE, SATIN, BRUSHED Can be applied to: Brass/Copper Overlays ARTISAN Can be applied to: Stainless Steel Charge for <u>each</u> hood or duct cover.	ANTIQUE, BRUSHED, SATIN TRIM Brass Bands & L/T Copper Bands & L/T ARTISAN TRIM SS Bands & L/T Charge once for all trim on a hood and duct cover assembly.
Color Charges: ADD	NO CHARGE	263	700	876	263

1/4" RIVETS			
 3D View	 Side View	 Top View	<p>1/4" RIVETS ARE STANDARD ON 1" x 1" CONVEX/ CONCAVE CORNER BANDS.</p> <p>1/4" RIVETS ARE OPTIONAL ON 18 GA. LIP TREATMENT, 18 GA. VERTICAL BANDS, AND STRAIGHT CORNER BANDS. ADDITIONAL CHARGES MAY APPLY.</p> <p>1/4" RIVETS ARE AVAILABLE IN ALL BAND FINISHES (PAINTED TO MATCH).</p>
1/2" RIVETS			
 3D View	 Side View	 Top View	<p>1/2" RIVETS ARE STANDARD ON 2" x 2" CONVEX/ CONCAVE CORNER BANDS AND ON HEAVY VERTICAL BANDS AND LIP TREATMENT.</p> <p>1/2" RIVETS ARE OPTIONAL ON 18 GA. LIP TREATMENT, 18 GA. VERTICAL BANDS, AND STRAIGHT CORNER BANDS. ADDITIONAL CHARGES MAY APPLY.</p> <p>1/2" RIVETS ARE AVAILABLE IN ALL BAND FINISHES (PAINTED TO MATCH).</p>
3/8" HEX NUTS			
 3D View	 Side View	 Top View	<p>3/8" HEX NUTS ARE OPTIONAL ON 18 GA. LIP TREATMENT, 18 GA. VERTICAL BANDS, AND CORNER BANDS. ADDITIONAL CHARGES MAY APPLY.</p> <p>3/8" HEX NUTS ARE AVAILABLE IN ALL BAND FINISHES (BRASS, STAINLESS STEEL, OR PAINTED TO MATCH).</p>
1/2" HEX NUTS			
 3D View	 Side View	 Top View	<p>1/2" HEX NUTS ARE OPTIONAL ON 18 GA. LIP TREATMENT, 18 GA. VERTICAL BANDS, AND CORNER BANDS. ADDITIONAL CHARGES MAY APPLY.</p> <p>1/2" HEX NUTS ARE AVAILABLE IN ALL BAND FINISHES (BRASS, STAINLESS STEEL, OR PAINTED TO MATCH).</p>
3/4" PYRAMID CLAVOS			
 3D View	 Side View	 Top View	<p>3/4" PYRAMID CLAVOS ARE OPTIONAL ON 18 GA. LIP TREATMENT, 18 GA. VERTICAL BANDS, AND CORNER BANDS. ADDITIONAL CHARGES MAY APPLY.</p> <p>3/4" PYRAMID CLAVOS ARE AVAILABLE IN COPPER AND STAINLESS STEEL FINISHES.</p> <p>3/4" PYRAMID CLAVOS CAN BE ROTATED 45 DEGREES FOR A MORE DECORATIVE APPEARANCE. NOTE: 3/4" PYRAMID CLAVOS ARE OVER 1" WIDE WHEN TURNED TO A 45 DEGREE "DIAMOND" ANGLE.</p>

NOTE: SECTION TITLES ARE ROUNDED FOR CONVENIENCE PURPOSES AND DO NOT REPRESENT EXACT SIZES.

STANDARD BAND & LIP TREATMENT ATTACHMENT METHODS

BAND/LIP TREATMENT	STANDARD ATTACHMENT	ADDITIONAL ATTACHMENT OPTIONS
18 Ga. Vertical Band/Lip Treatment	Laminate	1/4" Rivets, 1/2 Rivets, 3/8" Hex Nuts, 1/2" Hex Nuts, and 3/4" Pyramid Clavos
1/8" x 1" Vertical Band/Lip Treatment	1/2" Rivets	Laminate
1/4" x 1" Vertical Band/Lip Treatment	1/2" Rivets	Laminate
Straight Corner Band	Laminate	1/4" Rivets, 1/2" Rivets, 3/8" Hex Nuts, 1/2" Hex Nuts, and 3/4" Pyramid Clavos
Convex or Concave Corner Band	1" x 1" - 1/4" Rivets, 2" x 2" - 1/2" Rivets	1/2" Rivets, 3/8" Hex Nuts, 1/2" Hex Nuts, and 3/4" Pyramid Clavos

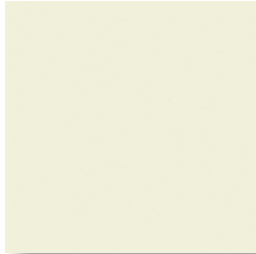
Decorative attachments will be placed by the factory for best appearance. To specify locations, add per inch

5.84

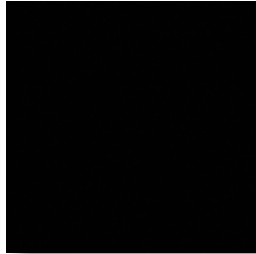
COLOR FINISH OPTIONS

Standard Paint Finishes

Biscuit



Black



Gunsmoke



White



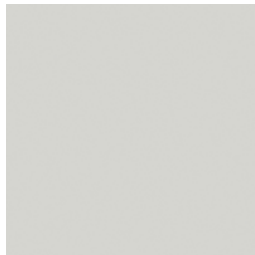
Stainless Steel Finishes

Stainless Steel

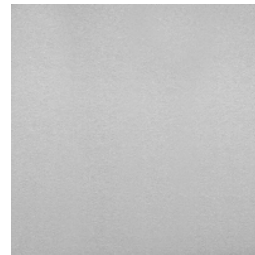


Mirror Stainless Steel

*Available on trim only.



Artisan Stainless Steel



Standard Overlay Finishes

Polished Brass



Polished Copper



Hammered Copper



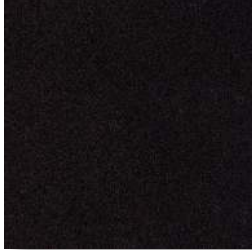
ACTUAL COLOR MAY VARY FROM PRINTED COLOR ON THIS PAGE.
REFER TO COLOR SAMPLES FOR EXACT COLOR.

COLORS	STANDARD BISCUIT (BT) BLACK SATIN (BL) GUNSMOKE (GS) WHITE (WH)	SPECIAL BLACK CARBIDE (BC) BLACK RIVER (BR) COPPER VEIN (CV) OIL RUBBED BRONZE (ORB) PEWTER (PTR) SILVER VEIN (SV) RUST (RT) RUST VEIN (RV) SLATE (SL)	CUSTOM RAL PAINT COLORS A CUSTOM COLOR CHART IS AVAILABLE FOR CUSTOM COLORS.	ANTIQUE CAN BE APPLIED TO: HAMMERED COPPER OVERLAY STAINLESS STEEL OVERLAY SMOOTH COPPER OVERLAY SMOOTH BRASS OVERLAY ARTISAN CAN BE APPLIED TO: STAINLESS STEEL CHARGE FOR EACH HOOD OR DUCT COVER.	ANTIQUe TRIM BRASS BANDS & L/T COPPER BANDS & L/T ARTISAN TRIM SS BANDS & L/T CHARGE ONCE FOR ALL TRIM ON A HOOD AND DUCT COVER ASSEMBLY.
---------------	--	--	---	---	--

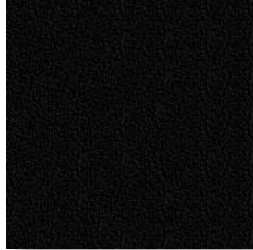
COLOR FINISH OPTIONS

Special Paint Finishes

Black Carbide



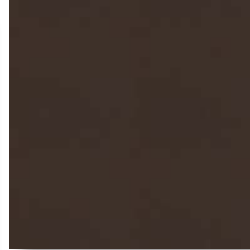
Black River



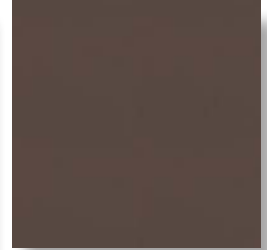
Copper Vein



Oil Rubbed Bronze



Pewter



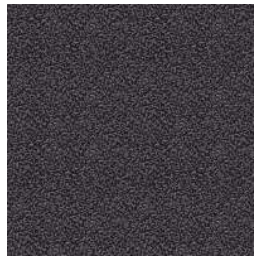
Rust



Rust Vein



Silver Vein



Slate

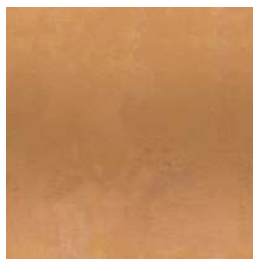


Antiqued Overlay Finishes

Antiqued Brass



Antiqued Copper



Antiqued Hammered Copper



ACTUAL COLOR MAY VARY FROM PRINTED COLOR ON THIS PAGE.
REFER TO COLOR SAMPLES FOR EXACT COLOR.

COLORS	STANDARD	SPECIAL	CUSTOM	ANTIQUE	ANTIQUE TRIM
	BISCUIT (BT) BLACK SATIN (BL) GUNSMOKE (GS) WHITE (WH)	BLACK CARBIDE (BC) BLACK RIVER (BR) COPPER VEIN (CV) OIL RUBBED BRONZE (ORB) PEWTER (PTR) SILVER VEIN (SV) RUST (RT) RUST VEIN (RV) SLATE (SL)	RAL PAINT COLORS A CUSTOM COLOR CHART IS AVAILABLE FOR CUSTOM COLORS.	CAN BE APPLIED TO: HAMMERED COPPER OVERLAY BRASS OVERLAY COPPER OVERLAY	BRASS BANDS & L/T COPPER BANDS & L/T
				ARTISAN CAN BE APPLIED TO: STAINLESS STEEL OVERLAY CHARGE FOR EACH HOOD OR DUCT COVER.	ARTISAN TRIM SS BANDS & L/T
Color Charges: ADD	NO CHARGE	263	701	876	263

PRICES DO NOT INCLUDE SHIPPING & HANDLING CHARGES.

WALL LOUVER			WALL LOUVER			WALL LOUVER			RECTANGULAR WALL LOUVER			
MODEL	DESCRIPTION	PRICE	MODEL	DESCRIPTION	PRICE	MODEL	DESCRIPTION	PRICE	MODEL	DESCRIPTION	PRICE	
VP526	6" Round	\$55.00	VP554	10" Round	\$79.00	VP555	12" Round	\$79.00	VP538	6" x 8-1/2"	\$55.00	
VP527	7" Round	\$55.00							VP560	3-1/4" x 10"	\$40.00	
VP528	8" Round	\$55.00										
LOW PROFILE ROOF JACK (MAXIMUM 4/12 PITCH)			LOW PROFILE ROOF JACK (MAXIMUM 4/12 PITCH)			LOW PROFILE ROOF JACK (MINIMUM 4/12 PITCH)			LOW PROFILE ROOF JACK (MINIMUM 4/12 PITCH)			
MODEL	DESCRIPTION	PRICE	MODEL	DESCRIPTION	PRICE	MODEL	DESCRIPTION	PRICE	MODEL	DESCRIPTION	PRICE	
VP539	6" Round	\$55.00	VP552	10" Round	\$118.00	VP539-HP	6" Round	\$55.00	VP552-HP	10" Round	\$118.00	
VP540	7" Round	\$55.00	VP553	12" Round	\$118.00	VP540-HP	7" Round	\$55.00	VP553-HP	12" Round	\$118.00	
VP541	8" Round	\$55.00				VP541-HP	8" Round	\$55.00				
ADJUSTABLE ELBOW			BACK/SIDE VENT ELBOW			3 1/4" x 10" BACK VENT ELBOW			3 1/4" x 10" TO 7" TRANSITION			
MODEL	DESCRIPTION	PRICE	MODEL	DESCRIPTION	PRICE	MODEL	DESCRIPTION	PRICE	MODEL	DESCRIPTION	PRICE	
VP513	6" Round	\$17.00	VP561	8" to 6" x 8-1/2"	\$23.00	VP559	3-1/4" x 10"	\$23.00	VP521	3-1/4" x 10 to 7"	\$23.00	
VP514	7" Round	\$17.00										
VP515	8" Round	\$17.00										
MULTI-BLOWER TRANSITION			M1200 STANDARD TRANSITION			STANDARD ISLAND TRANSITION			CLUSTER BLOWER TRANSITION			
MODEL	DESCRIPTION	PRICE	MODEL	DESCRIPTION	PRICE	MODEL	DESCRIPTION	PRICE	MODEL	DESCRIPTION	PRICE	
VP562	6" & 8" to 10"	\$118.00	VP566	M1200 Transition	\$44.00	VP565	5" x 16" to 8" Rnd	\$44.00	VP564	8" & 8" to 12"	\$44.00	
VP563	8" & 8" to 12"	\$118.00										
OFFSET L & R TRANSITION FOR ISLAND BLOWERS			SIDE VENT TRANSITION L & R FOR ISLAND BLOWERS			OFFSET KIT - ROUND			OFFSET KIT - RECTANGULAR			
MODEL	DESCRIPTION	PRICE	MODEL	DESCRIPTION	PRICE	MODEL	DESCRIPTION	PRICE	MODEL	DESCRIPTION	PRICE	
VP542	Top Left	\$44.00	VP544	Side Left	\$44.00	VP529	6" Rnd to 7" Rnd	\$23.00	VP550	6" to 3-1/4" x 10"	\$23.00	
VP543	Top Right	\$44.00	VP545	Side Right	\$44.00							
"Y" TRANSITION			ROUND DUCT PIPE			3 1/4" RECTANGULAR DUCT PIPE			6" RECTANGULAR DUCT PIPE			
MODEL	DESCRIPTION	PRICE	MODEL	DESCRIPTION	PRICE	MODEL	DESCRIPTION	PRICE	MODEL	DESCRIPTION	PRICE	
VP517	8" & 8" to 12"	\$50.00	VP500	6" Round	\$19.00	VP504	3-1/4" x 10"	\$19.00	VP507	6" x 8-1/2"	\$19.00	
VP518	8" & 8" to 12"	\$50.00	VP501	7" Round	\$19.00	VP505	3-1/4" x 12"	\$19.00				
VP551	6" & 8" to 10"	\$50.00	VP502	8" Round	\$19.00	VP506	3-1/4" x 16"	\$19.00				

PRICES DO NOT INCLUDE SHIPPING & HANDLING CHARGES.

<u>MOTORS</u>			<u>M LINE COMPONENTS</u>		
<u>PART NO.</u>	<u>DESCRIPTION</u>	<u>PRICE</u>	<u>PART NO.</u>	<u>DESCRIPTION</u>	<u>PRICE</u>
P1301-1	SINGLE SPEED WHITE MOTOR (CW)	\$83.00	P1440	M LINE BLOWER SWITCH	\$19.00
P1301-2	TWO SPEED WHITE MOTOR (CW)	\$83.00	P1445	M LINE BLOWER SWITCH KNOB	\$9.00
P1302-1	BLACK MOTOR (CCW)	\$83.00	P1450	M LINE LIGHT SWITCH	\$19.00
P1315	V-LINE MOTOR	\$122.00	P1455	M LINE LIGHT SWITCH KNOB	\$9.00
P1900	ADAPTER (AMP PLUG/TWO PRONG PLUG)	\$5.00	P1456	M600 WIRING HARNESS	\$56.00
			P1457	M1200 WIRING HARNESS	\$56.00
<u>BLOWER WHEELS</u>			<u>LIGHT BULBS</u>		
<u>PART NO.</u>	<u>DESCRIPTION</u>	<u>PRICE</u>	<u>PART NO.</u>	<u>DESCRIPTION</u>	<u>PRICE</u>
P1305	WHITE BLOWER WHEEL (CW)	\$23.00	P1110	GU10 HALOGEN BULB, 50 WATT	\$14.00
P1306	BLACK BLOWER WHEEL (CCW)	\$23.00	P1111	GU10 LED BULB	\$17.00
P1307	V-LINE BLOWER WHEEL	\$23.00	P1130	PAR20 HALOGEN BULB, 50 WATT	\$14.00
			P1350	INTEGRATED LED BULB	\$57.00
<u>BLOWER HOUSINGS</u>			<u>LIGHT FIXTURE COMPONENTS</u>		
<u>PART NO.</u>	<u>DESCRIPTION</u>	<u>PRICE</u>	<u>PART NO.</u>	<u>DESCRIPTION</u>	<u>PRICE</u>
<i>SPECIFY HOOD COLOR</i>					
P1029	B100/T200 BLOWER HSG w/DAMPER	\$68.00	P1103	LEFT LAMPHOLDER	\$5.00
P1029E	B100/T200 EZ CLEAN HSG w/DAMPER	\$68.00	P1104	RIGHT LAMPHOLDER	\$5.00
P1028	B200/T400 BLOWER HSG w/DAMPERS	\$130.00	P1105	FS-2 STARTER	\$3.00
P1028E	B200/T400 EZ CLEAN HSG w/DAMPERS	\$130.00	P1106	STARTER SOCKET	\$7.00
P1030	T200 REVERSE BLOWER HSG w/DAMPER	\$68.00	P1123	PAR20 HALOGEN LAMP SOCKET	\$5.00
P1030E	T200 REVERSE EZ CLEAN HSG w/DAMPER	\$68.00	P1124	GU10 LAMP SOCKET	\$9.00
P1021	V-LINE BLOWER COVER (PAN)	\$31.00	P1127	FLUORESCENT LIGHT DIFFUSER	\$13.00
<u>BLOWER SHIELDS</u>			<u>REPLACEMENT FILTERS</u>		
<u>PART NO.</u>	<u>DESCRIPTION</u>	<u>PRICE</u>	<u>PART NO.</u>	<u>DESCRIPTION</u>	<u>PRICE</u>
P1025	B100/T200 SHIELD, PAINTED	\$24.00	P1506	SS BAFFLE (16" x 20" x 1-1/2")	\$184.00
P1025E	B100 EZ CLEAN SHIELD, PAINTED	\$24.00	P1506A	SS BAFFLE (10" x 20" x 1-1/2")	\$215.00
P1025E-I	T200 EZ CLEAN SHIELD, PAINTED	\$24.00	P1530	M LINE BAFFLE FILTER - 12" x 12"	\$94.00
P1027	B100/T200 SHIELD, STAINLESS	\$24.00	P1531	M LINE FILTER FILLER PLATE - 6" x 12"	\$40.00
P1027E	B100 EZ CLEAN SHIELD, STAINLESS	\$24.00			
P1027E-I	T200 EZ CLEAN SHIELD, STAINLESS	\$24.00	<u>BACK DRAFT DAMPERS</u>		
P1024	B200/T400 SHIELD, PAINTED	\$31.00	<u>PART NO.</u>	<u>DESCRIPTION</u>	<u>PRICE</u>
P1024E	B200 EZ CLEAN SHIELD, PAINTED	\$31.00	P1031	MAGIC LUNG NYLON POLYMER DAMPER	\$7.00
P1024E-I	T400 EZ CLEAN SHIELD, PAINTED	\$31.00	P1040	B100/T200 METAL DAMPER	\$7.00
P1026	B200/T400 SHIELD, STAINLESS	\$31.00	P1041	B200 METAL DAMPER	\$7.00
P1026E	B200 EZ CLEAN SHIELD, STAINLESS	\$31.00	P1042	V-LINE DAMPER	\$9.00
P1026E-I	T400 EZ CLEAN SHIELD, STAINLESS	\$31.00			
P1610P	NICKEL SHIELD SCREW	\$5.00	<u>REMOTE BLOWER COMPONENTS</u>		
<u>SWITCHES AND CONTROLS</u>			<u>PART NO.</u>	<u>DESCRIPTION</u>	<u>PRICE</u>
<u>PART NO.</u>	<u>DESCRIPTION</u>	<u>PRICE</u>	P1425	REMOTE BLOWER SPEED CONTROL (HOOD)	\$72.00
P1431	SWITCH FOR SINGLE SPEED BLACK MOTOR	\$5.00	P1510	RM1000 BLOWER WHEEL	\$43.00
P1432	SWITCH FOR FLUORESCENT LIGHT	\$5.00	P1515	RM1000 MOTOR	\$252.00
P1433	SWITCH FOR TWO SPEED WHITE MOTOR	\$7.00	P1520	RM1500 BLOWER WHEEL	\$43.00
P1434	SWITCH FOR HALOGEN LIGHTS	\$7.00	P1525	RM1500 MOTOR	\$288.00
P1435	LED ROCKER SWITCH	\$7.00			
P1409	MOMENTARY SWITCH (TILT/TLH HOODS)	\$5.00	<u>OTHER MISCELLANEOUS ITEMS</u>		
P1418	DIMMER SWITCH (CAN LIGHTS)	\$37.00	<u>PART NO.</u>	<u>DESCRIPTION</u>	<u>PRICE</u>
P1419	ROTARY SWITCH (HEAT LIGHTS)	\$13.00	P1039	FLAP STAY FOR TILT/TLH HOODS	\$35.00
P1422	KNOB FOR ROTARY SWITCH (SET SCREW)	\$5.00	AW101	T-HANDLE, 1/8" ALLEN WRENCH	\$13.00
P1425	REMOTE BLOWER SPEED CONTROL (HOOD)	\$72.00	AW102	STANDARD, 1/8" ALLEN WRENCH	\$2.00
P1460	ROTARY SWITCH - B100/LED LIGHTS	\$7.00	P1424	SENSASOURCE THERMOSTAT ASSY	\$15.00
P1465	ROTARY SWITCH - B200/T200/T400(2)	\$7.00	SS KIT	STAINLESS STEEL SCRATCH REPAIR KIT	\$10.00
P1470-1	MAGIC LUNG ROTARY BLOWER KNOB	\$9.00	SS64	STAINLESS STEEL MAGIC (CAN)	\$15.00
P1475-1	MAGIC LUNG ROTARY LIGHT KNOB	\$9.00	CP101	RED BEAR® COPPER POLISH	\$15.00
P1350-1	DIMMER PACK FOR INTEGRATED LED BULB	\$12.00	P1316	3-1/4" x 10" COLLAR FOR V-LINE	\$13.00
			P1317	BACK PLATE FOR V-LINE	\$7.00

VENT-A-HOOD WARRANTY

Vent-A-Hood® - Magic Lung® Warranty

For hoods purchased on or after January 1st, 2010.

The warranty for Vent-A-Hood® Magic Lung® products is five years on the material and workmanship and five years on the internal motor(s). The warranty does not cover:

- » Lifetime Warranty on Magic Lung Blower
- » Freight damage
- » Light bulbs
- » Incidental or consequential damage
- » Misapplication or modification of or to any part of the Vent-A-Hood® product
- » Blower wheel damage
- » Damage or malfunction caused by poor installation
- » Commercial application

To make a warranty claim, please contact the dealer from which you purchased the hood, or contact the distributor for your area. It is not necessary to register your product directly with us.

For hoods purchased before January 1st, 2010.

The warranty for Vent-A-Hood® Magic Lung® products is one year on the material and workmanship and five years on the internal motor(s). The warranty does not cover:

- » Freight damage
- » Light bulbs
- » Incidental or consequential damage
- » Misapplication or modification of or to any part of the Vent-A-Hood® product
- » Blower wheel damage
- » Damage or malfunction caused by poor installation
- » Commercial application

To make a warranty claim, please contact the dealer from which you purchased the hood, or contact the distributor for your area. It is not necessary to register your product directly with us.

Vent-A-Hood® V-Line Warranty

The warranty for Vent-A-Hood® K-Series products is one year from the date of purchase. The warranty does not cover:

- » Freight damage
- » Light bulbs
- » Incidental or consequential damage
- » Misapplication or modification of or to any part of the Vent-A-Hood® product
- » Blower wheel damage
- » Damage or malfunction caused by poor installation
- » Commercial application

To make a warranty claim, please contact the dealer from which you purchased the hood, or contact the distributor for your area. It is not necessary to register your product directly with us.

Vent-A-Hood® M Series Warranty

The warranty for Vent-A-Hood® M Series products is one year from the date of purchase. The warranty does not cover:

- » Freight damage
- » Light bulbs
- » Incidental or consequential damage
- » Misapplication or modification of or to any part of the Vent-A-Hood® product
- » Blower wheel damage
- » Damage or malfunction caused by poor installation
- » Commercial application

To make a warranty claim, please contact the dealer from which you purchased the hood, or contact the distributor for your area. It is not necessary to register your product directly with us.

Vent-A-Hood® Remote Blower Warranty

The warranty for Vent-A-Hood® remote blower products is one year from the date of purchase. The warranty does not cover:

- » Freight damage
- » Light bulbs
- » Incidental or consequential damage
- » Misapplication or modification of or to any part of the Vent-A-Hood® product
- » Blower wheel damage
- » Damage or malfunction caused by poor installation
- » Commercial application

To make a warranty claim, please contact the dealer from which you purchased the hood, or contact the distributor for your area. It is not necessary to register your product directly with us.

PINNACLE EXPRESS, INC. TERMS AND CONDITIONS

Orders: All orders and any subsequent change orders must be submitted in writing and delivered to Pinnacle Express, Inc. by mail, fax or e-mail. No telephone orders will be accepted. Special Order items are Non-Cancellable.

Prices: All prices are subject to change without notice and are exclusive of any sales or use taxes, shipping, delivery, special packaging, or handling charges that may apply to each customer or to each order.

Minimum Advertised Pricing: All sales are subject to Pinnacle Express, Inc. or Manufacturer minimum advertised prices. Failure to comply with minimum advertised prices will result in cancellation of any agreement and violators will not be entitled to purchase further products.

Minimum Sale Price: All sales are subject to Pinnacle Express, Inc. or Manufacturer minimum sale prices. Failure to comply with minimum sale prices will result in cancellation of any agreement and violators will not be entitled to purchase further products.

Freight and Handling: Pinnacle Express, Inc. reserves the right to ship products by its choice of carrier. All shipments are F.O.B. from place of shipment, and risk of loss shall pass to the Buyer upon delivery to the carrier at the point of shipment. Additional charges may apply for special handling and packaging.

Deliveries: Pinnacle Express, Inc. shall not be liable for failure to deliver or for delays in delivery or performance due to: (1) causes beyond its reasonable control; (2) acts of God, acts of Buyer, acts of civil or military authority, governmental allocations or controls, fires, strikes or other labor difficulties, riots or other civil disturbances, delays in its usual source of supply, delays in transportation; (3) any other commercial impracticability. In the event of such delay, the date of delivery or performance shall be extended for a period equal to the time lost by reason of the delay.

Claims: All claims for non-conforming delivery of Products must be made within twelve (12) days of receipt of shipment.

Damage or Loss: Any claim for damage or loss in shipment should be made to the carrier immediately by the customer. Products become the responsibility of the Buyer when accepted by the carrier in good condition from Pinnacle Express, Inc. and we are not able to process shipping damage claims.

Returns: Only Items marked in this Price List as "Stock Item" are subject to return. All other items are considered Special Order Items and are NOT RETURNABLE. No Products may be returned without a Pinnacle Express, Inc. Return Goods Authorization (RGA) Number issued prior to the return of Product. Any product returned without an RGA will be refused and returned to the sender. RGA's are valid for thirty (30) days only. All returns are subject to inspection before being approved for credit - products must be in salable condition to be considered for return or replacement. A 30% restocking charge will apply to all returns.

Payment: Unless otherwise noted, payment terms are Net Due on Receipt. Balances owed on invoices over 30 days old are subject to a 1.5% per month charge. Each shipment or delivery shall be deemed to have been sold under a separate and or independent contract and payment thereof shall be made in accordance with the terms of this agreement and of the invoice rendered by Pinnacle Express, Inc. Buyer agrees that title to the personal property described herein shall not vest in Buyer until paid in full. In the event of insolvency or the filing of bankruptcy by the Buyer, Buyer agrees to return all merchandise to Pinnacle Express, Inc.

Warranties: Products distributed by Pinnacle Express, Inc. are the products of reputable manufacturers sold under their respective brand or trade names. Pinnacle Express, Inc. shall use its best efforts to obtain from each manufacturer, in accordance with the manufacturer's warranty or customary practice, the repair or replacement of products that may prove defective in material or workmanship. The foregoing shall constitute the exclusive remedy of the Buyer and the sole obligation of Pinnacle Express, Inc. Except as to Title, THERE ARE NO WARRANTIES, EITHER WRITTEN, ORAL, IMPLIED, OR STATUTORY relating to the described products which shall extend beyond that described in this paragraph. NO WARRANTY OF MERCHANTABILITY OR OF FITNESS FOR PURPOSE SHALL APPLY.

Limitation of Liability: Pinnacle Express, Inc.'s liability on any claims for loss or damage arising out of this contract or from the performance or breach thereof or connected with the supplying of products hereunder, or its sale, resale, operation or use, whether based on warranty, contract, negligence or other grounds shall not exceed the price allowable for such products or parts thereof involved in the claim. Pinnacle Express, Inc. shall not, under any circumstances, be liable for any labor charges unless agreed upon in advance and in writing by Pinnacle Express, Inc. and the manufacturer of the products involved.

Pinnacle Express, Inc. shall not in any event be liable for special or consequential damages, including, but not limited to, loss of profits or revenue, loss of use of the product or any associated product, cost of capital, cost of substitute products, facilities or services, downtime costs, or claims of customers of the Buyer for such damages.

General: The possession of this Price List by anyone is not to be considered as an offer to sell any of the Products contained herein. This Price List supersedes all previous price lists or memorandums. Pinnacle Express, Inc.'s existing Trade Terms and Conditions remain in effect.

The above Terms and Conditions shall be a part of all Orders accepted by Pinnacle Express, Inc. and shall supercede any conflicting provisions of our customer's purchase orders. These terms and conditions are subject to change without notice.



Pinnacle Express, Inc.
P.O. Box 1836 • Dundee, FL 33838
P: 800-292-8374 • F: 800-574-8805
www.pinnacleexpress.com