



2020 PRICE BOOK

A DISTINCTIVE MEMBER OF THE HOUSE OF ROHL



HANDCRAFTED FOR LIFE

Shaws® has been proudly handcrafting the world's finest sinks since 1897, using time-honored techniques lovingly passed down from master craftsman to apprentice for well over a century, resulting in quality, individuality, authenticity and a lifetime of service and pleasure.

It takes time to hand-make Shaws® sinks, between three to four weeks in total. Every sink that bears the Shaws® name provides timeless and elegant design, with a charm and character all of its own, bearing testament to the skill and expertise of the master craftsman who lovingly and painstakingly created it. Each Shaws sink is a unique creation - iconic, aspirational and tactile - and comes with a lifetime warranty as a testament to its reliability and timeless quality.



@HouseofRohl



@houseofrohl



@HouseofRohl



@House of Rohl



@House of Rohl



2020 SHAWS® UPDATES

KITCHEN SINKS page 1

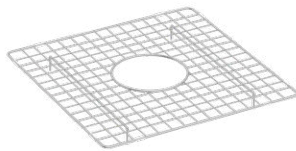
NEW



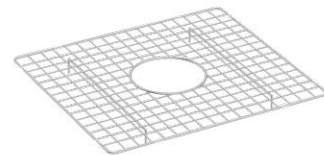
MS3518



MS3918



WSGMS3518



WSGMS3918

BATH SINKS page 17

NEW



CC2310FWO
Available: Summer 2020

733	12	ISE10082	13	RC4019	7	WSG3318	6
734	12	MS2418	8	RPT114	20	WSG3618	7
735	13	MS3018	9	RPT124	21	WSG3719	7
736	12	MS3318	9	SB1715	18	WSG4019LG	4, 8
738	12	MS3518	10	SB1800	18	WSG4019LG	4, 8
744	13	MS3918	10	SB1814	18	WSG4019SM	4, 8
745	13	RB1815	18	SB2015	19	WSG4019SM	4, 8
5445	19	RC1515	5	SB2321	19	WSG6737	5
5447	19	RC1818	8	UM1807	5	WSGMS2418	9
6442	20	RC2418	5	UM2318	10	WSGMS3018	9
7444	20	RC3017	4	UM3018	11	WSGMS3318	9
8446	20	RC3018	6	WSG1515	5	WSGMS3518	10
9664	18	RC3021	11	WSG1818	8	WSGMS3918	10
A5568B	21	RC3318	6	WSG2418	6	WSGUM2318	11
CB3382	12	RC3618	7	WSG3017	4	WSGUM3018	11
CC2310FWO	19	RC3719	7	WSG3018	6		
CNZREMOTE	20	RC4018	4	WSG3021	11		



SHAWS® FIRECLAY SINKS

Authentically Crafted in Great Britain

In 1897, the apron sink was introduced by Shaws® of Lancashire, England. Today, every Shaws® Fireclay Sink is still hand poured, shaped and stamped with the name of the very artisan who crafted it. Taking over 3 weeks to create, we use more clay, more glaze, more heat and more care to breathe character into products made by real people. Every Shaws® sink is unique and designed to last a lifetime.



MS3018WH

Available Finishes:



White
WH



Parchment
PCT

See product page for available finishes



UM1807
page 5



RC1515
page 5



RC1818
page 8

LANCASTER



RC2418
page 5



RC3018
page 6



RC3318
page 6



RC3618
page 7



RC3719
page 7



RC4019
page 7

SHAKER



MS2418
page 8



MS3018
page 9



MS3318
page 9



MS3518
page 10



MS3918
page 10



UM2318
page 10



UM3018
page 11

WATERSIDE



RC3021
page 11

EGERTON



RC3017
page 4



RC4018
page 4

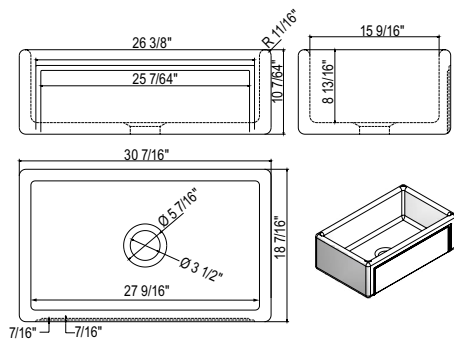




MS3318



How to install a Shaws® Farmhouse Kitchen Sink:
Scan QR code or visit: [youtube.com/watch?v=8sndyoRdUEc](https://www.youtube.com/watch?v=8sndyoRdUEc)



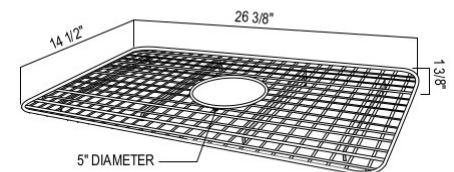
RC3017 Shaws® 30" Egerton Casement Edge Exterior Single Bowl Farmhouse Apron Front Fireclay Kitchen Sink



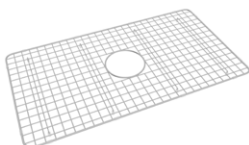
- Due to ±2% dimensions, it is recommended that the cabinet maker wait until your sink is delivered to make the cabinet because no template is available
- 33" minimum cabinet size
- For matching wire sink grid, order WSG3017.
- Extended disposal flange or basket strainer required for installation

Suggested Retail Price

WH	PCT
2,345	2,581



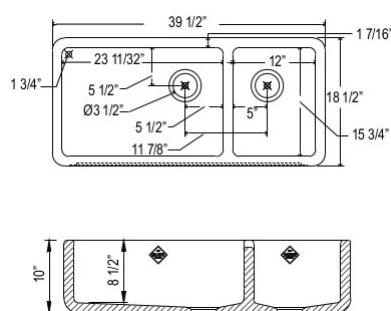
WSG3017 Wire Sink Grid For RC3017 Kitchen Sink



- Specially designed to fit RC3017 Shaws kitchen sink
- Biscuit (BS) finish coordinates with Parchment (PCT) sinks. White (WH) finish coordinates with White sinks. Stainless Steel (SS) finish coordinates with both (WH) and (PCT) sinks.

Suggested Retail Price

SS	WH	BS
245	245	245



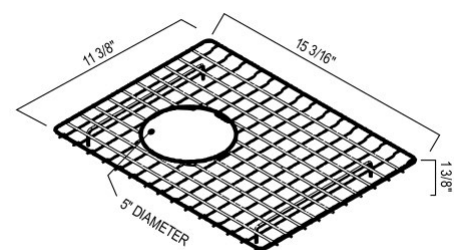
RC4018 Shaws® 40" Egerton Casement Edge Exterior Double Bowl Farmhouse Apron Front Fireclay Kitchen Sink



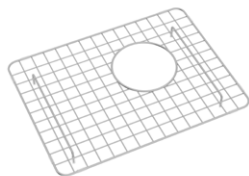
- 65/35 double bowl
- Due to ±2% dimensions, it is recommended that the cabinet maker wait until your sink is delivered to make the cabinet because no template is available
- 42" minimum cabinet size
- For matching wire sink grid, order WSG4019LG and WSG4019SM.
- Extended disposal flange or basket strainer required for installation

Suggested Retail Price

WH	PCT
4,753	5,233



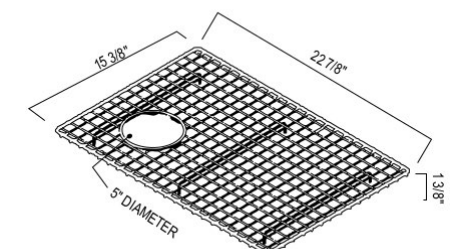
WSG4019SM Wire Sink Grid For RC4019 & RC4018 Kitchen Sinks Small Bowl



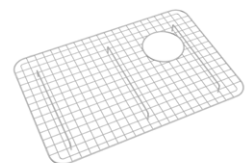
- Specially designed to fit RC4019 and RC4018 Shaws kitchen sink small bowl
- Biscuit (BS) finish coordinates with Parchment (PCT) sinks. White (WH) finish coordinates with White sinks. Stainless Steel (SS) finish coordinates with both (WH) and (PCT) sinks.

Suggested Retail Price

SS	WH	BS
258	258	258



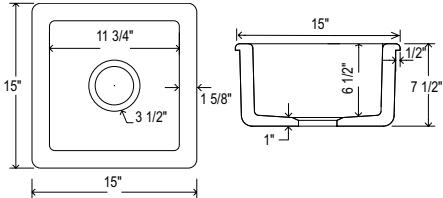
WSG4019LG Wire Sink Grid For RC4019 & RC4018 Kitchen Sinks Large Bowl



- Specially designed to fit RC4019 and RC4018 Shaws kitchen sink large bowl
- Biscuit (BS) finish coordinates with Parchment (PCT) sinks. White (WH) finish coordinates with White sinks. Stainless Steel (SS) finish coordinates with both (WH) and (PCT) sinks.

Suggested Retail Price

SS	WH	BS
304	304	304



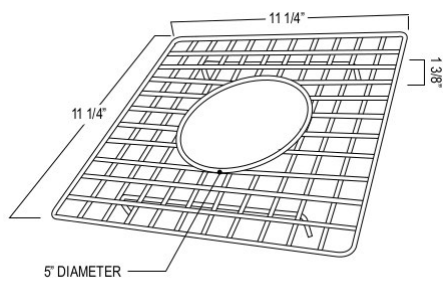
RC1515 Shaws® 15" Lancaster Single Bowl Fireclay Bar/Food Prep Sink



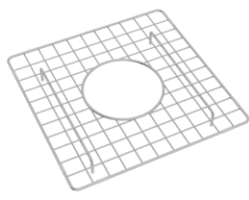
Suggested Retail Price

WH	PCT
1,030	1,137

- Due to ±2% dimensions, it is recommended that the cabinet maker wait until your sink is delivered to make the cabinet because no template is available
- 18" minimum cabinet size
- For matching wire sink grid, order WSG1515
- Extended disposal flange or basket strainer required for installation



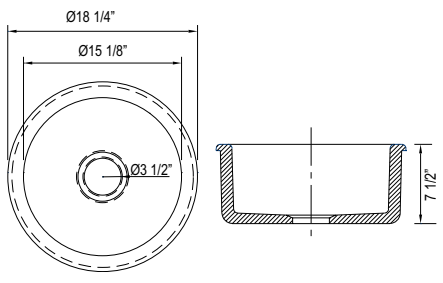
WSG1515 Wire Sink Grid For RC1515 Bar/Food Prep Sink



Suggested Retail Price

SS	WH	BS
179	179	179

- Specially designed to fit RC1515 Shaws bar/food prep sink
- Biscuit (BS) finish coordinates with Parchment (PCT) sinks. White (WH) finish coordinates with White sinks. Stainless Steel (SS) finish coordinates with both (WH) and (PCT) sinks.



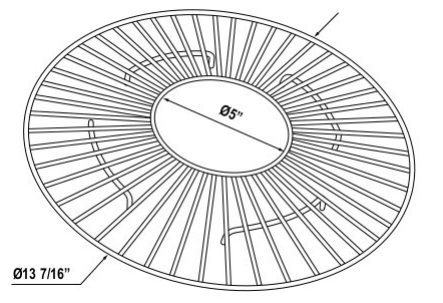
UM1807 Shaws® 18" Lancaster Single Bowl Round Bar/Food Prep Fireclay Sink



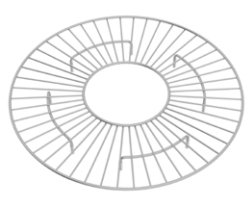
Suggested Retail Price

WH	PCT
837	921

- For undermount, can use two QN25UM for improved support
- 21" minimum cabinet size
- Due to ± 2% dimensions, it is recommended that the cabinet maker wait until your sink is delivered to make the cabinet
- For matching wire sink grid, order WSG6737
- Extended disposal flange or basket strainer required for installation



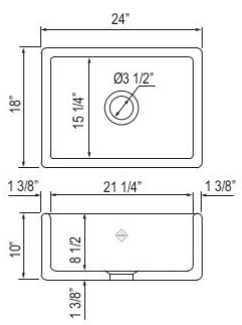
WSG6737 Wire Sink Grid For UM1807 Bar/Food Prep Sinks



Suggested Retail Price

SS	WH	BS
177	177	177

- Specially designed to fit Shaws UM1807 bar/food prep sink
- Biscuit (BS) finish coordinates with Parchment (PCT) and Allia (68) Pergame sinks. White (WH) finish coordinates with White sinks. Stainless Steel (SS) finish coordinates with both (WH) and (PCT) sinks.



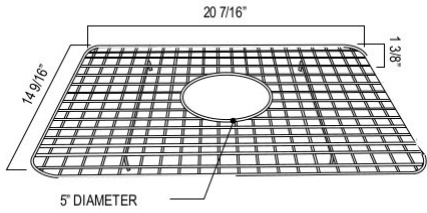
RC2418 Shaws® 24" Lancaster Single Bowl Farmhouse Apron Front Fireclay Kitchen Sink



Suggested Retail Price

WH	PCT
1,913	2,105

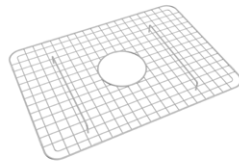
- Due to ±2% dimensions, it is recommended that the cabinet maker wait until your sink is delivered to make the cabinet because no template is available
- 27" minimum cabinet size
- For matching wire sink grid, order WSG2418
- Extended disposal flange or basket strainer required for installation



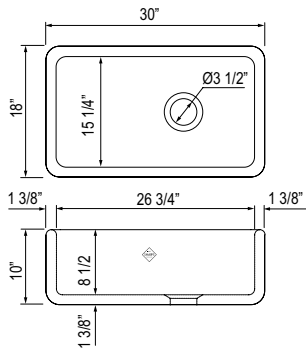
WSG2418 Wire Sink Grid For RC2418 Kitchen Sink

Suggested Retail Price

SS	WH	BS
236	236	236



- Specially designed to fit RC2418 Shaws kitchen sink
- Biscuit (BS) finish coordinates with Parchment (PCT) sinks. White (WH) finish coordinates with White sinks. Stainless Steel (SS) finish coordinates with both (WH) and (PCT) sinks.



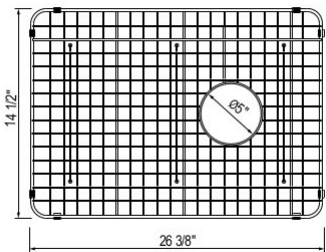
RC3018 Shaws® 30" Lancaster Single Bowl Farmhouse Apron Front Fireclay Kitchen Sink

Suggested Retail Price

WH	PCT
1,949	2,145



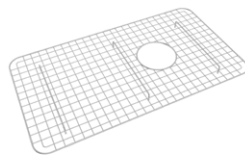
- Right hand drain only
- Due to ±2% dimensions, it is recommended that the cabinet maker wait until your sink is delivered to make the cabinet because no template is available
- 33" minimum cabinet size
- For matching wire sink grid, order WSG3018
- Extended disposal flange or basket strainer required for installation



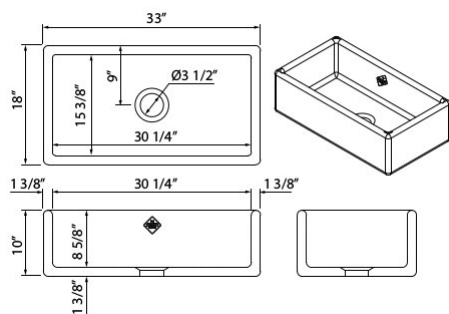
WSG3018 Wire Sink Grid For RC3018 Kitchen Sink

Suggested Retail Price

SS	WH	BS
245	245	245



- Specially designed to fit RC3018 Shaws kitchen sink
- Biscuit (BS) finish coordinates with Parchment (PCT) sinks. White (WH) finish coordinates with White sinks. Stainless Steel (SS) finish coordinates with both (WH) and (PCT) sinks



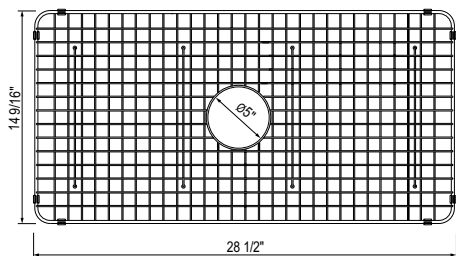
RC3318 Shaws® 33" Lancaster Single Bowl Farmhouse Apron Front Fireclay Kitchen Sink

Suggested Retail Price

WH	PCT
2,127	2,340



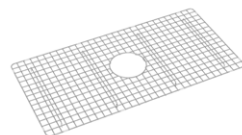
- Due to ±2% dimensions, it is recommended that the cabinet maker wait until your sink is delivered to make the cabinet
- 36" minimum cabinet size
- For matching wire sink grid, order WSG3318
- Extended disposal flange or basket strainer required for installation



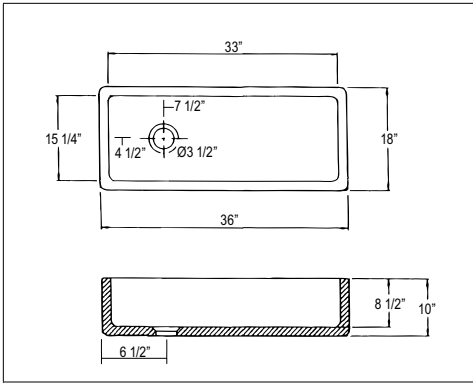
WSG3318 Wire Sink Grid For RC3318 Kitchen Sink

Suggested Retail Price

SS	WH	BS
232	232	232



- Specially designed to fit RC3318 Shaws kitchen sink
- Biscuit (BS) finish coordinates with Parchment (PCT) sinks. White (WH) finish coordinates with White sinks. Stainless Steel (SS) finish coordinates with both (WH) and (PCT) sinks.

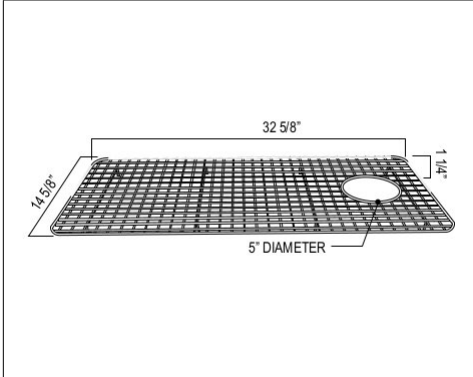


RC3618 Shaws® 36" Lancaster Single Bowl Farmhouse Apron Front Fireclay Kitchen Sink

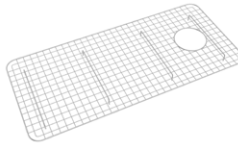


- Reversible install
- Due to ±2% dimensions, it is recommended that the cabinet maker wait until your sink is delivered to make the cabinet because no template is available
- 39" minimum cabinet size
- For matching wire sink grid, order WSG3618
- Extended disposal flange or basket strainer required for installation

Suggested Retail Price	
WH	PCT
2,445	2,707

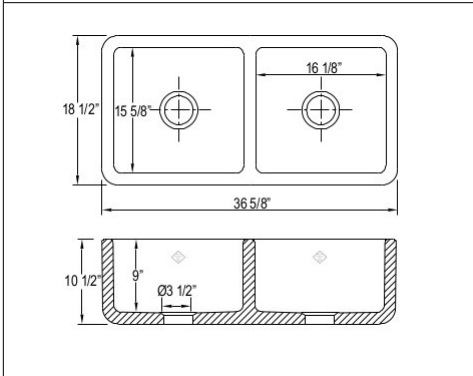


WSG3618 Wire Sink Grid For RC3618 Kitchen Sink



- Specially designed to fit RC3618 Shaws kitchen sink
- Biscuit (BS) finish coordinates with Parchment (PCT) sinks. White (WH) finish coordinates with White sinks. Stainless Steel (SS) finish coordinates with both (WH) and (PCT) sinks.

Suggested Retail Price		
SS	WH	BS
335	335	335

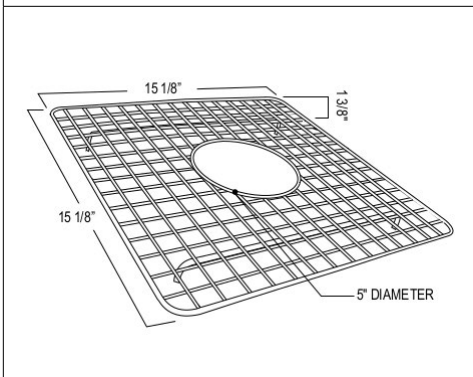


RC3719 Shaws® 37" Lancaster Double Bowl Farmhouse Apron Front Fireclay Kitchen Sink

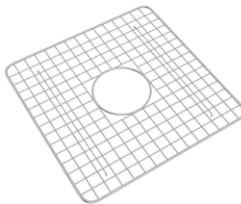


- 50/50 double bowl
- Due to ±2% dimensions, it is recommended that the cabinet maker wait until your sink is delivered to make the cabinet because no template is available
- 39" minimum cabinet size
- For matching wire sink grid, order WSG3719
- Extended disposal flange or basket strainer required for installation

Suggested Retail Price	
WH	PCT
3,885	4,273

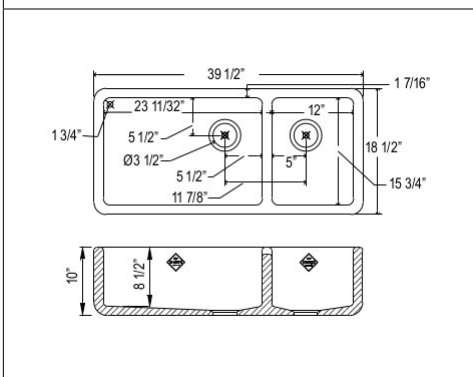


WSG3719 Wire Sink Grid For RC3719 Kitchen Sink



- Specially designed to fit RC3719 Shaws kitchen sink both left and right bowls
- Biscuit (BS) finish coordinates with Parchment (PCT) sinks. White (WH) finish coordinates with White sinks. Stainless Steel (SS) finish coordinates with both (WH) and (PCT) sinks.

Suggested Retail Price		
SS	WH	BS
235	235	235

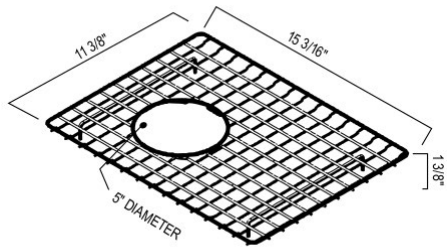


RC4019 Shaws® 40" Lancaster Double Bowl Farmhouse Apron Front Fireclay Kitchen Sink



- 65/35 double bowl
- Due to ±2% dimensions, it is recommended that the cabinet maker wait until your sink is delivered to make the cabinet because no template is available
- 42" minimum cabinet size
- For matching wire sink grid, order WSG4019LG and WSG4019SM
- Extended disposal flange or basket strainer required for installation

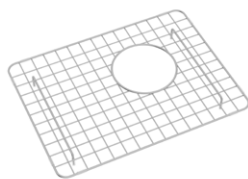
Suggested Retail Price	
WH	PCT
4,535	4,989



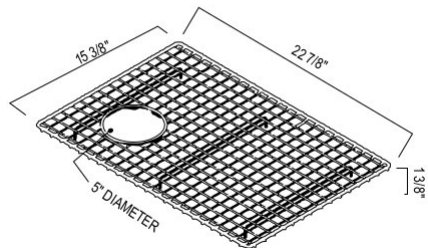
WSG4019SM Wire Sink Grid For RC4019 & RC4018 Kitchen Sinks Small Bowl

Suggested Retail Price

SS	WH	BS
258	258	258



- Specially designed to fit RC4019 and RC4018 Shaws kitchen sink small bowl
- Biscuit (BS) finish coordinates with Parchment (PCT) sinks. White (WH) finish coordinates with White sinks. Stainless Steel (SS) finish coordinates with both (WH) and (PCT) sinks.



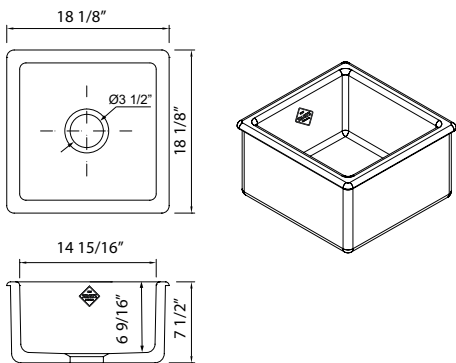
WSG4019LG Wire Sink Grid For RC4019 & RC4018 Kitchen Sinks Large Bowl

Suggested Retail Price

SS	WH	BS
304	304	304



- Specially designed to fit RC4019 and RC4018 Shaws kitchen sink large bowl
- Biscuit (BS) finish coordinates with Parchment (PCT) sinks. White (WH) finish coordinates with White sinks. Stainless Steel (SS) finish coordinates with both (WH) and (PCT) sinks.



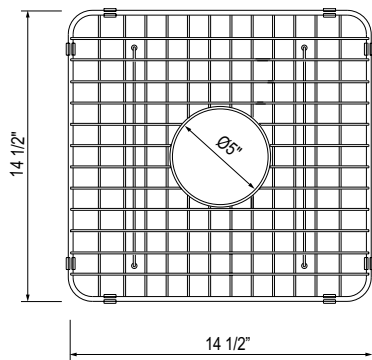
RC1818 Shaws® 18" Shaker Single Bowl Square Fireclay Bar/Food Prep Sink

Suggested Retail Price

WH	PCT
939	1,033



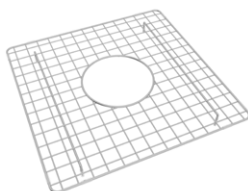
- For undermount, can use two QN25UM for improved support
- 21" minimum cabinet
- Due to ±2% dimensions, it is recommended that the cabinet maker wait until your sink is delivered to make the cabinet because no template is available
- For matching wire sink grid, order WSG1818
- Extended disposal flange or basket strainer required for installation



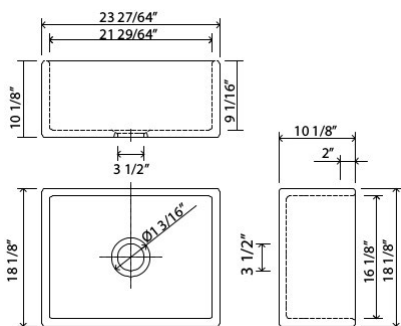
WSG1818 Wire Sink Grid For RC1818 Bar/Food Prep Sink

Suggested Retail Price

SS	WH	BS
222	222	222



- Specially designed to fit RC1818 Shaws bar/food prep sink
- Biscuit (BS) finish coordinates with Parchment (PCT) sinks. White (WH) finish coordinates with White sinks. Stainless Steel (SS) finish coordinates with both (WH) and (PCT) sinks.



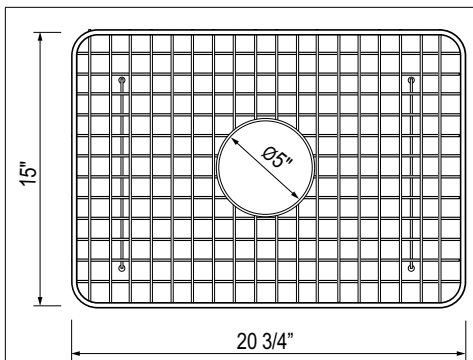
MS2418 Shaws® 24" Shaker Single Bowl Farmhouse Apron Front Fireclay Kitchen Sink

Suggested Retail Price

WH	PCT
1,611	1,772

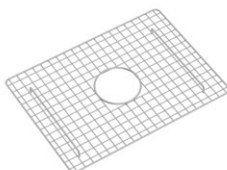


- Due to ±2% dimensions, it is recommended that the cabinet maker wait until your sink is delivered to make the cabinet because no template is available
- 27" minimum cabinet size
- For matching wire sink grid order WSGMS2418
- Extended disposal flange or basket strainer required for installation

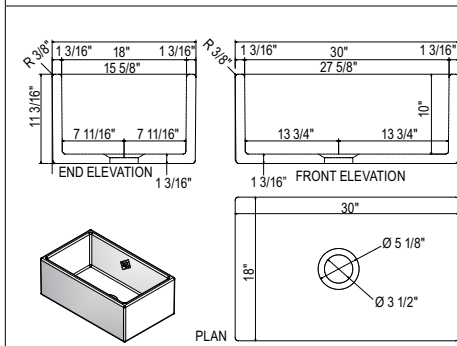


WSGMS2418 Wire Sink Grid For MS2418 Kitchen Sink

Suggested Retail Price		
SS	WH	BS
241	241	241



- Specially designed to fit MS2418 Shaws kitchen sink
- Biscuit (BS) finish coordinates with Parchment (PCT) sinks. White (WH) finish coordinates with White sinks. Stainless Steel (SS) finish coordinates with both (WH) and (PCT) sinks.

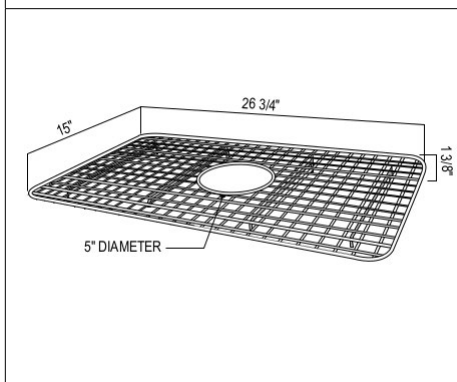


MS3018 Shaws® 30" Shaker Single Bowl Farmhouse Apron Front Fireclay Kitchen Sink

Suggested Retail Price	
WH	PCT
1,833	2,017

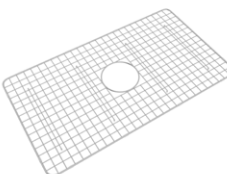


- Due to ±2% dimensions, it is recommended that the cabinet maker wait until your sink is delivered to make the cabinet because no template is available
- 33" minimum cabinet size
- For matching wire sink grid, order WSGMS3018
- Extended disposal flange or basket strainer required for installation

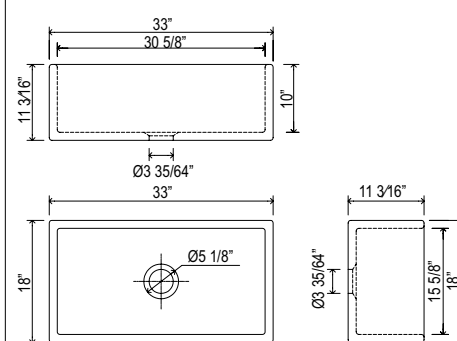


WSGMS3018 Wire Sink Grid For MS3018 Kitchen Sink

Suggested Retail Price		
SS	WH	BS
245	245	245



- Specially designed to fit MS3018 Shaws kitchen sink
- Biscuit (BS) finish coordinates with Parchment (PCT) sinks. White (WH) finish coordinates with White sinks. Stainless Steel (SS) finish coordinates with both (WH) and (PCT) sinks.

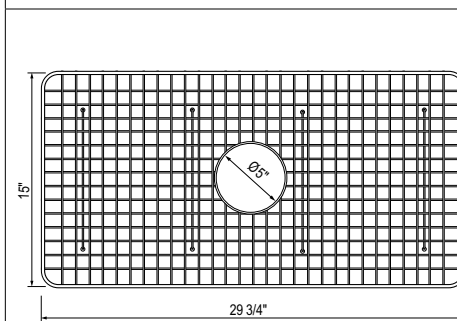


MS3318 Shaws® 33" Shaker Single Bowl Apron Front Fireclay Kitchen Sink

Suggested Retail Price	
WH	PCT
1,858	2,039

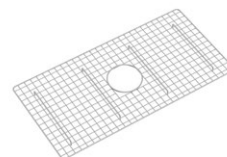


- Due to ±2% dimensions, it is recommended that the cabinet maker wait until your sink is delivered to make the cabinet because no template is available
- 36" minimum cabinet size
- For matching wire sink grid, order WSGMS3318
- Extended disposal flange or basket strainer required for installation

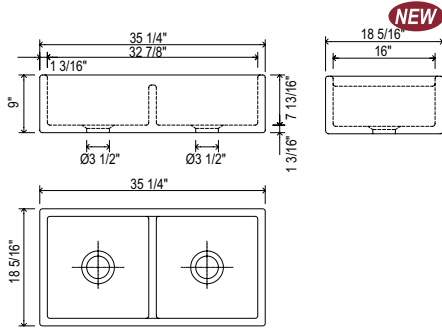


WSGMS3318 Wire Sink Grid For MS3318 Kitchen Sink

Suggested Retail Price		
SS	WH	BS
265	265	265



- Specially designed to fit MS3318 Shaws kitchen sink
- Biscuit (BS) finish coordinates with Parchment (PCT) sinks. White (WH) finish coordinates with White sinks. Stainless Steel (SS) finish coordinates with both (WH) and (PCT) sinks.



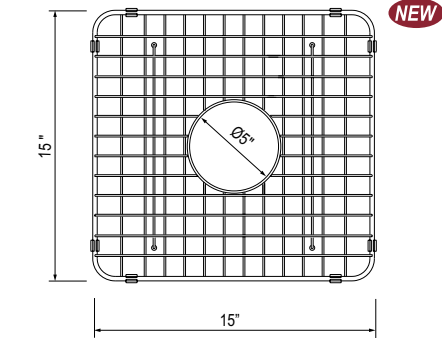
MS3518 Shaws® 35" Shaker Double Bowl Apron Front Fireclay Kitchen Sink

Suggested Retail Price

WH	PCT
2,298	2,498



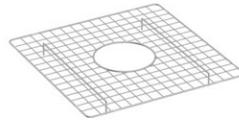
- 50/50 double bowl
- Due to ±2% dimensions, it is recommended that the cabinet maker wait until your sink is delivered to make the cabinet because no template is available
- 39" minimum cabinet size
- For matching wire sink grid, order WSGMS3518
- Extended disposal flange or basket strainer required for installation



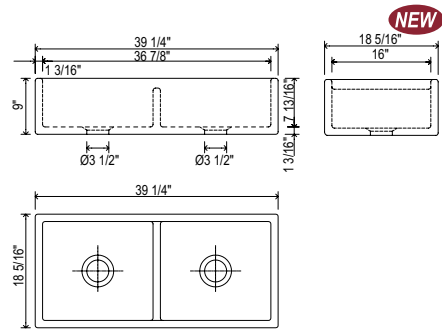
WSGMS3518 Wire Sink Grid for MS3518 Kitchen Sink

Suggested Retail Price

SS	WH	BS
208	208	208



- Specially designed to fit MS3518 Shaws kitchen sink both left and right bowls
- Biscuit (BS) finish coordinates with Parchment (PCT) sinks. White (WH) finish coordinates with White sinks. Stainless Steel (SS) finish coordinates with both (WH) and (PCT) sinks.



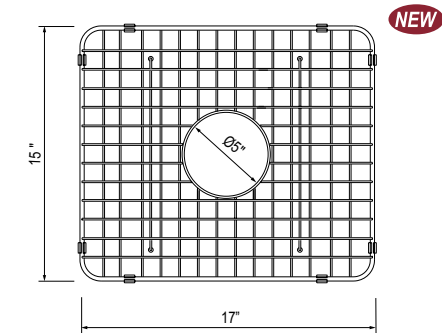
MS3918 Shaws® 39" Shaker Double Bowl Apron Front Fireclay Kitchen Sink

Suggested Retail Price

WH	PCT
2,498	2,698



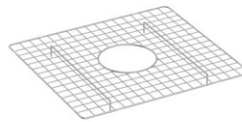
- 50/50 double bowl
- Due to ±2% dimensions, it is recommended that the cabinet maker wait until your sink is delivered to make the cabinet because no template is available
- 42" minimum cabinet size
- For matching wire sink grid, order WSGMS3918
- Extended disposal flange or basket strainer required for installation



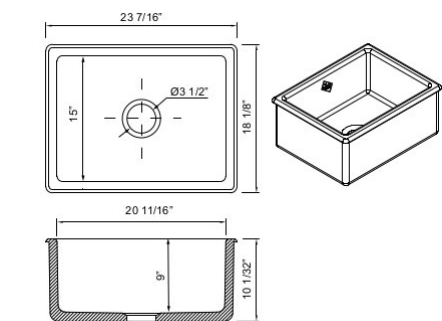
WSGMS3918 Wire Sink Grid for MS3918 Kitchen Sink

Suggested Retail Price

SS	WH	BS
228	228	228



- Specially designed to fit MS3918 Shaws kitchen sink both left and right bowls
- Biscuit (BS) finish coordinates with Parchment (PCT) sinks. White (WH) finish coordinates with White sinks. Stainless Steel (SS) finish coordinates with both (WH) and (PCT) sinks.



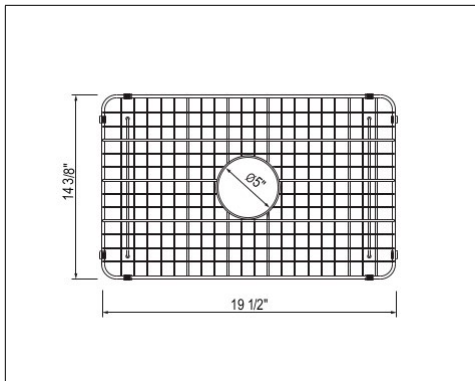
UM2318 Shaws® 23" Shaker Single Bowl Inset Or Undermount Fireclay Secondary Kitchen Or Laundry Sink

Suggested Retail Price

WH	PCT
1,127	1,240

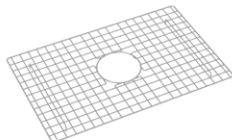


- Due to ± 2% dimensions, it is recommended that the cabinet maker wait until your sink is delivered to make the cabinet
- 27" minimum cabinet size
- For matching wire sink grid, order WSGUM2318
- Extended disposal flange or basket strainer required for installation

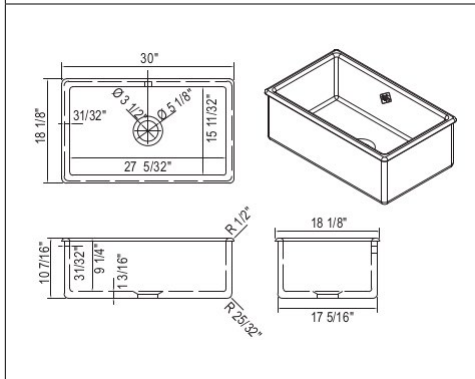


WSGUM2318 Wire Sink Grid For UM2318 Kitchen or Laundry Sink

Suggested Retail Price		
SS	WH	BS
236	236	236



- Specially designed to fit UM2318 Shaws kitchen sink
- Biscuit (BS) finish coordinates with Parchment (PCT) sinks. White (WH) finish coordinates with White sinks. Stainless Steel (SS) finish coordinates with both (WH) and (PCT) sinks.

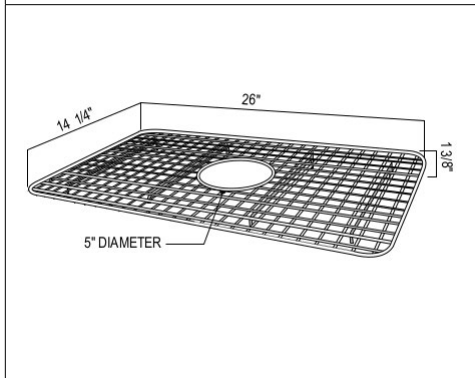


UM3018 Shaws® 30" Shaker Single Bowl Undermount Fireclay Kitchen Sink

Suggested Retail Price	
WH	PCT
1,665	1,832

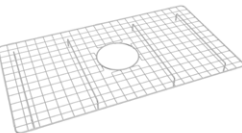


- Due to ±2% dimensions, it is recommended that the cabinet maker wait until your sink is delivered to make the cabinet because no template is available
- 33" minimum cabinet size
- For matching wire sink grid, order WSGUM3018
- Extended disposal flange or basket strainer required for installation

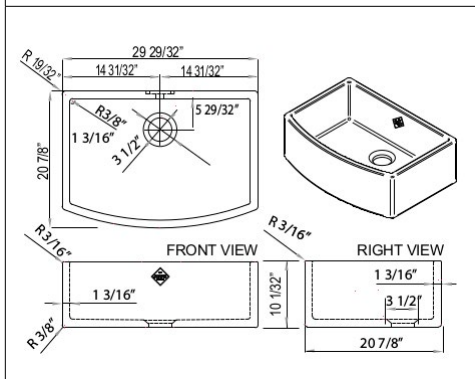


WSGUM3018 Wire Sink Grid For UM3018 Kitchen Sink

Suggested Retail Price		
SS	WH	BS
241	241	241



- Specially designed to fit UM3018 Shaws kitchen sink
- Biscuit (BS) finish coordinates with Parchment (PCT) sinks. White (WH) finish coordinates with White sinks. Stainless Steel (SS) finish coordinates with both (WH) and (PCT) sinks.

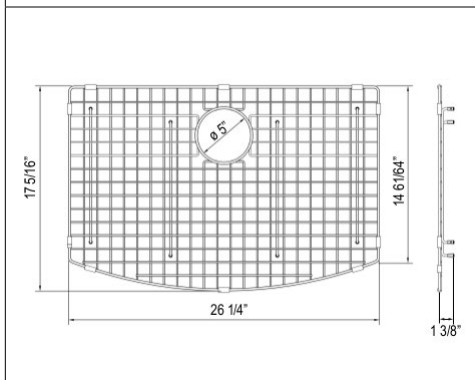


RC3021 Shaws® 30" Waterside Single Bowl Bowed Farmhouse Apron Front Fireclay Kitchen Sink

Suggested Retail Price	
WH	PCT
2,026	2,230

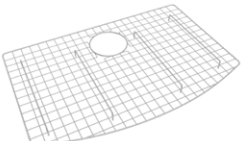


- Due to ±2% dimensions, it is recommended that the cabinet maker wait until your sink is delivered to make the cabinet because no template is available
- 33" minimum cabinet size
- For matching wire sink grid, order WSG3021
- Extended disposal flange or basket strainer required for installation

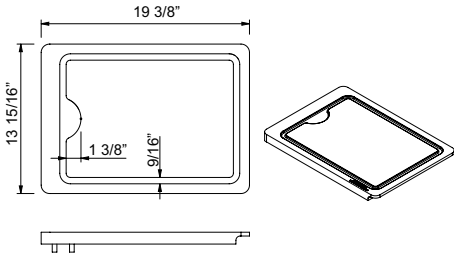


WSG3021 Wire Sink Grid For RC3021 Kitchen Sink

Suggested Retail Price		
SS	WH	BS
248	248	248



- Specifically designed to fit RC3021 Shaws kitchen sink
- Biscuit (BS) finish coordinates with Parchment (PCT) sinks. White (WH) finish coordinates with White sinks. Stainless Steel (SS) finish coordinates with both (WH) and (PCT) sinks.



CB3382 Cutting Board For 18" Depth Shaws® Apron Front Sinks

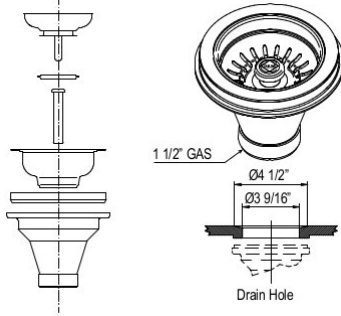
Suggested Retail Price

Beech

464



- Compatible with RC2418, RC3018, RC3318, RC3618, RC3719, RC4019 and RC4018



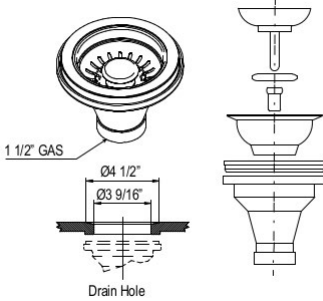
734 Shaws® Manual Basket Strainer With Shaws® Logo Branded White Porcelain Pull Knob

Suggested Retail Price

APC	PN	STN	IB	EB	RG	TCB	WH
138	229	229	286	286	286	286	286



- Shorter mounting screws available for metal sink, part #737SCREW23



736 Manual Basket Strainer Without Remote Pop-Up and Large Diameter Pull Knob

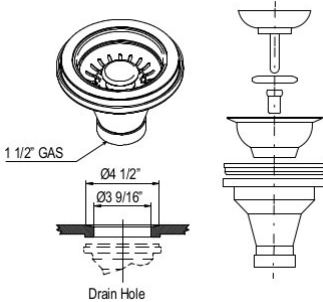
Suggested Retail Price

APC

97



- Shorter mounting screws available for metal sinks, part #737SCREW23



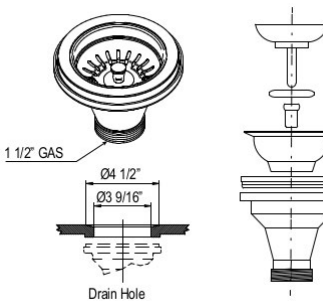
738 Manual Basket Strainer Without Remote Pop-Up and Large Diameter Pull Knob

Suggested Retail Price

PN	STN	IB	TCB	BKS	EB	EG	RG
299	299	299	299	371	387	387	387



- Shorter mounting screws available for metal sinks, part #737SCREW23
- Biscuit coordinates with Shaws Fireclay Parchment sinks



733 Manual Basket Strainer Without Remote Pop-Up

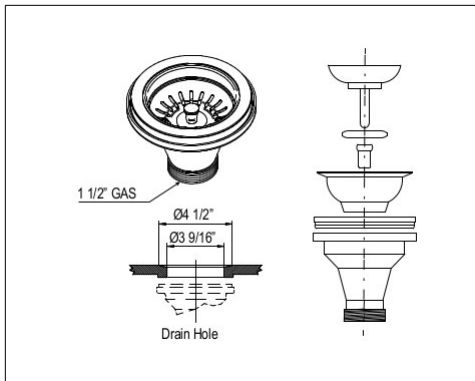
Suggested Retail Price

APC

66



- Shorter mounting screws available for metal sinks, part #737SCREW23



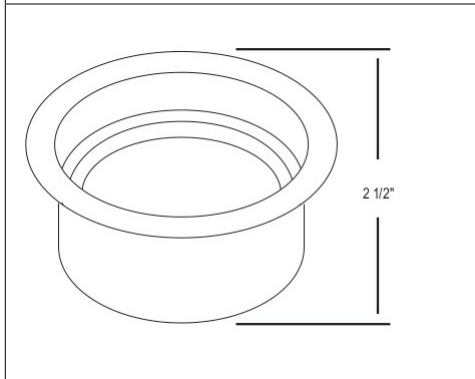
735 Manual Basket Strainer Without Remote Pop-Up

Suggested Retail Price

BK	BS	WH	IB	PN	STN	TCB	SEG	EB	EG	RG
84	84	84	268	268	268	268	305	336	336	336



- Shorter mounting screws available for metal sinks, part #737SCREW23
- Biscuit coordinates with Shaws Fireclay Parchment sinks



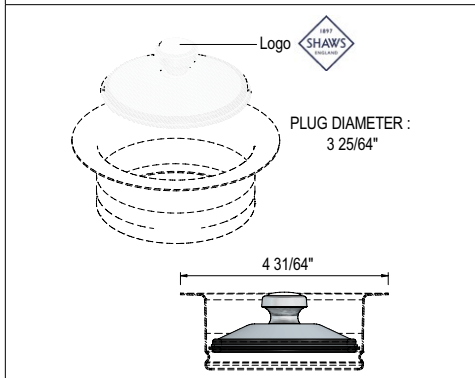
ISE10082 Extended Disposal Flange

Suggested Retail Price

SEG	SS	APC	BK	BS	PN	WH	STN	EB	TCB	IB
153	225	234	234	234	234	234	267	322	322	394



- Not compatible with Waste King
- Biscuit coordinates with Shaws Fireclay Parchment sinks
- For use with 745 or 744 disposal stopper



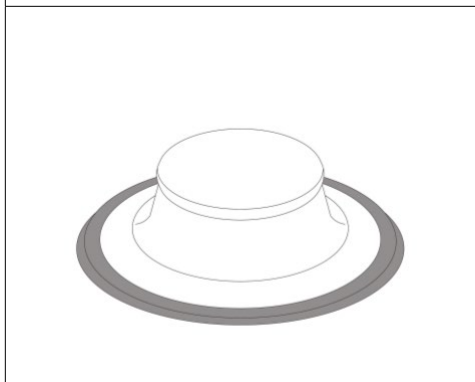
745 Shaws® Disposal Stopper With Shaws® Logo Branded White Porcelain Pull Knob

Suggested Retail Price

APC	PN	STN	IB	EB	EG	RG	TCB	ULB	BK
65	147	147	147	174	147	147	147	147	233



- For use with ISE10082 disposal flange
- Not compatible with Waste King
- Biscuit coordinates with Shaws Fireclay Parchment sinks



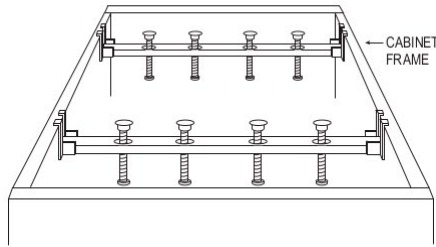
744 Disposal Stopper

Suggested Retail Price

BK	BS	WH	APC	BKS	PN	STN	RG	EB	TCB	SEG	IB
111	111	111	133	133	133	133	207	213	213	260	272



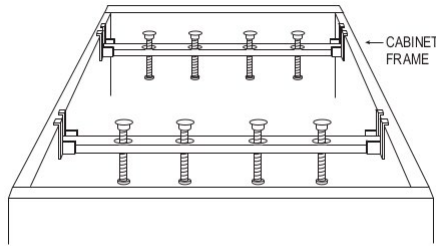
- For use with ISE10082 disposal flange
- Not compatible with Waste King
- Biscuit coordinates with Shaws Fireclay Parchment sinks



QN25UM 25" Undermount Sink Kit

Suggested Retail Price

128



QN36UM 36" Undermount Sink Kit

Suggested Retail Price

165





Available Finish:



White
WH

BATH SINKS

Authentically Crafted in Great Britain

More than 120 years ago, the apron front kitchen sink was introduced by Shaws® of Lancashire, England. Now, the same centuries old craftsmanship used to create Shaws® signature sinks is available for the bathroom. Every Shaws® Fireclay Sink is hand poured, shaped and stamped with the name of the very artisan who crafted it.

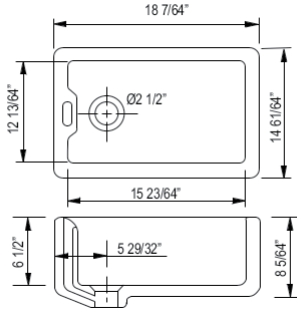


Available Finish:



White
WH

SB1815WH



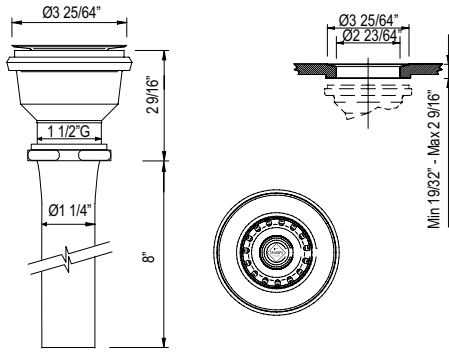
RB1815 Shaws® Lancaster Lavatory Fireclay Sink



Suggested Retail Price

WH
555

- For lavatory installations, only use the 9664 drain with the RB1815
- For kitchen installations, only use 2054 drain with the RB1815
- Due to dimensions being +/- 2% no template is available; it is recommended that the cabinet maker wait until your sink is delivered to make the cabinet.
- 21" minimum cabinet size



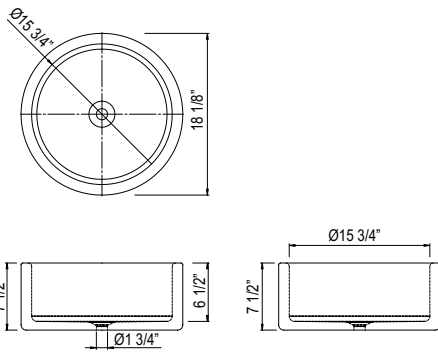
9664 Shaws® Manual Mini Basket Strainer With Shaws® Logo Branded White Porcelain Pull Knob



Suggested Retail Price

APC	PN	STN	IB	EB	EG	MB
164	240	240	275	275	275	314

- Designed to fit RB1815WH for lavatory installations



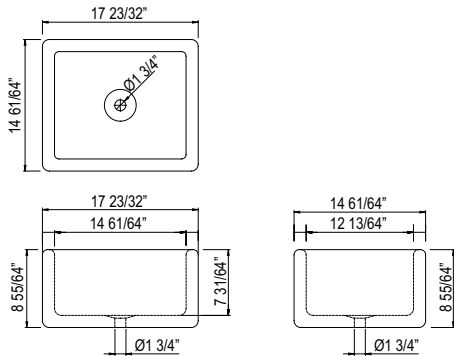
SB1800 Shaws® Lancaster Round Above Counter Lavatory Fireclay Sink



Suggested Retail Price

WH
689

- Above counter installation
- No overflow



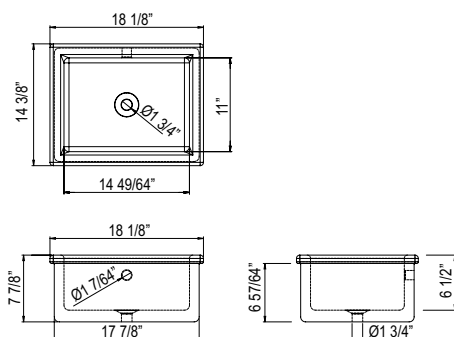
SB1715 Shaws® Lancaster Rectangular Above Counter Lavatory Fireclay Sink



Suggested Retail Price

WH
510

- Above counter installation
- No overflow



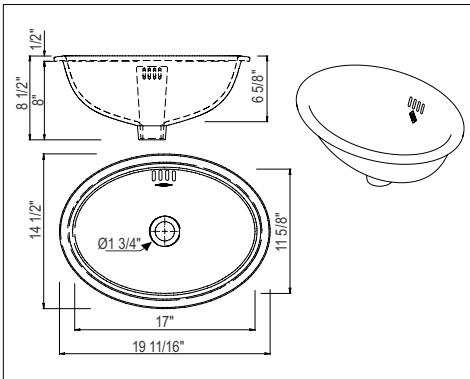
SB1814 Shaws® Shaker Rectangular Undermount Or Drop-In Lavatory Fireclay Sink



Suggested Retail Price

WH
459

- Undermount or drop-in installation
- No overflow
- Due to ±2% dimensions, it is recommended that the cabinet maker wait until your sink is delivered to make the cabinet because no template is available



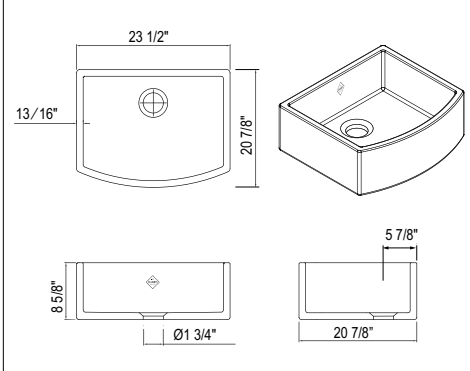
SB2015 Shaws® Shaker Oval Undermount Lavatory Fireclay Sink

Suggested Retail Price

WH
663



- Includes overflow
- Due to ±2% dimensions, it is recommended that the cabinet maker wait until your sink is delivered to make the cabinet because no template is available



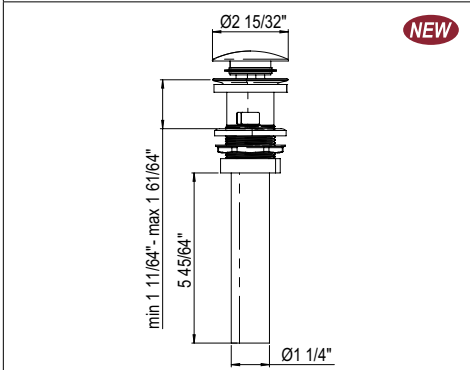
SB2321 Shaws® Waterside Apron Front Lavatory Fireclay Sink

Suggested Retail Price

WH
1,020



- Apron front installation
- No overflow
- Due to ±2% dimensions, it is recommended that the cabinet maker wait until your sink is delivered to make the cabinet because no template is available



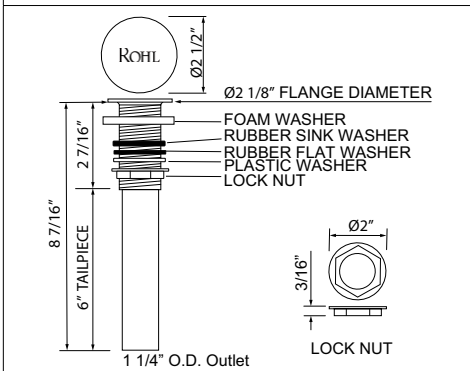
CC2310FWO Touch Seal Dome Drain for Overflow and No-Overflow Sinks

Suggested Retail Price

APC	STN	MB	SG
128	160	166	182



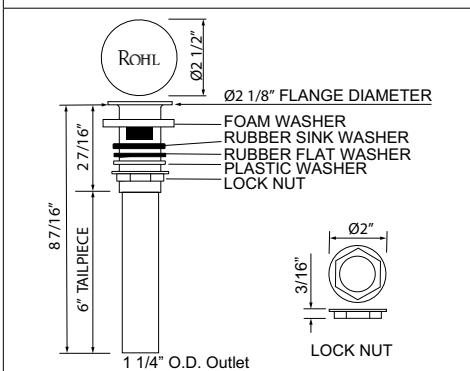
• Summer 2020



5445 Touch Seal Dome Drain With 6\"/>

Suggested Retail Price

APC	PN	STN	ULB	EB	TCB	EG	IB
277	277	277	277	539	539	686	686

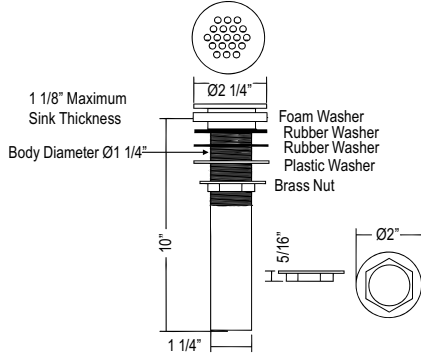


5447 Slotted Touch Seal Dome Drain With 6\"/>

Suggested Retail Price

APC	PN	STN	EB	TCB	EG
277	277	277	539	539	686



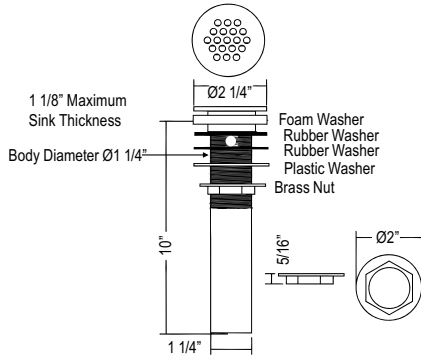


6442 Non Slotted Grid Drain for No-Overflow Sinks



Suggested Retail Price

APC	PN	STN	ULB	EB	TCB	EG	IB	SG	FB
249	249	249	249	426	426	526	526	649	729

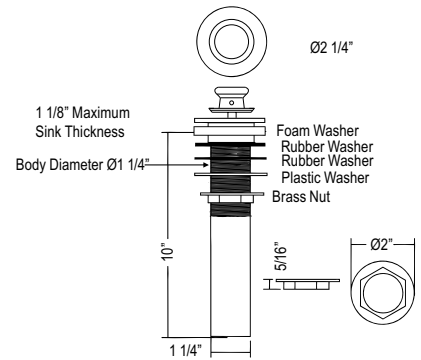


7444 Grid Drain for Overflow Sinks



Suggested Retail Price

APC	PN	STN	EB	TCB	EG
249	249	249	426	426	526

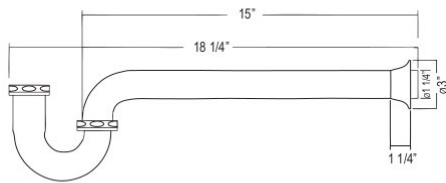


8446 Lift And Turn Drain for No-Overflow Sinks



Suggested Retail Price

APC	PN	STN	EB	TCB	EG
281	281	281	504	504	614



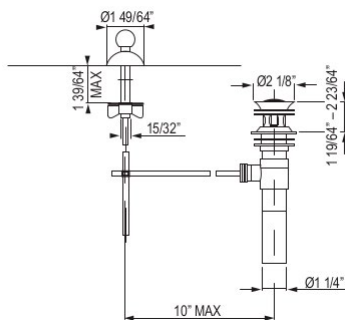
RPT114 15\"/>



Suggested Retail Price

APC	PN	STN	EB	TCB	EG
281	281	281	681	681	824

- Extended 15\"/>
- Includes reducing washer for 1 1/2\"/>



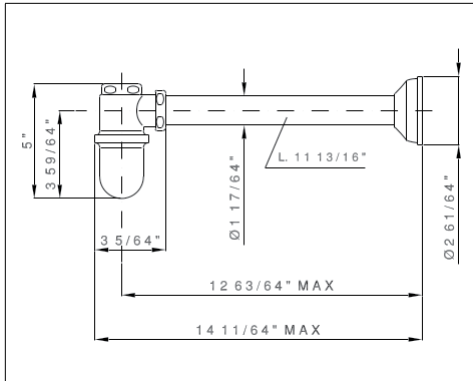
CNZREMOTE Remote Pop-Up Set



Suggested Retail Price

APC	PN	STN	IB	TCB	ULB
198	198	310	310	310	310

- Not for use with vessel bowls or bowls without overflow



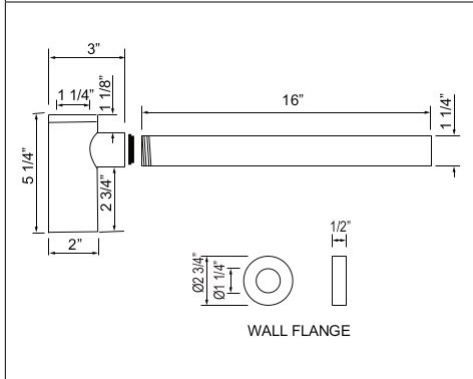
A5568B 11 13/16" Traditional Cylinder Style Extended Decorative Bottle Trap

Suggested Retail Price

APC	PN	IB	STN	TCB	EB
181	181	235	235	235	689



- Length can be cut down to fit.



RPT124 16 1/2" Modern Cylinder Style Extended Decorative P-Trap

Suggested Retail Price

APC	PN	STN
372	372	372



- Extended 16 1/2" long waste bend tube with length that can be cut down to fit
- Includes reducing washer for 1 1/2" wall outlet



ITEM NUMBER

SUGGESTED RETAIL PRICE

ASTONISH

Use for cleaning marks and rust off fireclay and porcelain sinks. 17 oz. tub of paste.

\$13.00



ITEM NUMBER

SUGGESTED RETAIL PRICE

FILLAFIX

Fill-A-Fix 0.5 oz porcelain repair kit for use with Porc-A-Fix touch up kits on porcelain or fireclay sinks with large gouges and/or chips.

\$36.00



ITEM NUMBER

SUGGESTED RETAIL PRICE

PORCAFIXSHAWSBISCUIT
PORCAFIXSHAWSBLACK
PORCAFIXSHAWSWHITE

Porc-A-Fix porcelain repair touch up glaze kit for Allia and Shaws porcelain or fireclay sinks, 15cc bottle for chips, cracks and scratches.

Shaws Biscuit
 Shaws Black
 Shaws White

\$63.00
 \$63.00
 \$63.00

SHAWS® CARE AND MAINTENANCE

Authentically crafted fireclay sinks are made of a unique clay capable of being fired at extremely high temperatures. These high temperatures cause the clay and glaze to fuse together, virtually creating an entirely new form. This clay is found in limited regions around the world, making true fireclay sinks some of the most durable sink options. Resistant to acid, alkali, scratches and impact, many fireclay sinks outlive the very spaces for which they were created. Our fireclay sinks are crafted with environmentally friendly materials and are completely lead free and recyclable.

- We recommend using a soft sponge or cloth and a mild abrasive. Daily cleaning with abrasives or abrasive pads will not harm the surface.
- Each sink in the Shaws® collection is handmade according to its 1897 design. Our designs tend to be flat on the sink bottom. To avoid water spotting, wipe down the sink bottom after use. Waxing the sink will encourage drainage.
- Fireclay sinks from Shaws® are constructed with a durable glaze for years of beautiful performance. On the occasion that a metal pot or pan may leave a mark on the surface of the sink, we recommend Astonish Cleaner. A mild abrasive cleaner, like Bon Ami® is also acceptable.
- While no colored sink of any kind is impervious to damage, fireclay resists chips, scratches and stains better than other materials. In the rare instance of a chip, color-matched repair kits are available.



TERMS AND CONDITIONS OF SALE ON ALL PRODUCTS

PRICES:

Prices and terms are subject to change without notice. Customer is responsible for payment of all applicable taxes.

FREIGHT:

Orders \$2,500 or greater (not including tubs, net sales) = Free Freight Allowed (FFA)
 Orders \$1 up to \$2,499 (not including tubs, net sales) with any Kitchen Sink(s) = \$145 Flat Fee
 Orders \$1 up to \$2,499 (not including tubs, net sales) with Brass and Lavatory Sink(s) = \$35 Flat Fee
 Orders with a bathtub = \$200 additional flat fee per tub
 Components and Spare Parts only (No complete faucets or fixtures) = Free Freight Allowed (FFA)
 Shipper reserves the right to ship merchandise by the method of our choosing.

ALL NON-INDUSTRY RELATED SHIP TO ADDRESSES, INCLUDING RESIDENTIAL DROP SHIP ORDERS:

Any order that is drop shipped to a consumer's home will be assessed a \$20.00 charge above all standard shipping and handling fees. \$100 additional for each bathtub. Drop Ship Fee Buy Line must be on the Original Purchase Order for the order to be processed, phone number for delivery set up required.

PAYMENT TERMS:

All orders are due in 30 days from date of invoice unless agreed upon in writing by an officer of ROHL LLC.

RETURNS:

Products may not be returned for credit or replacement without prior inspection and written authorization from ROHL LLC. There will be a charge of 20% to cover handling and restocking for all authorized returns. Only merchandise currently appearing in our price list, which is in resalable condition, will be considered by ROHL LLC for return or replacement. Customer dissatisfaction is not a reason for return.

English Bronze, Old Iron, Tuscan Brass, Italian Brass, English Gold, Unlacquered Brass, French Brass, Satin Gold, Parchment and Pergame have acceptable variations that are normal and enhance the custom nature of each finish. Variation is not a reason for return.

LABOR:

No labor charges of any kind will be allowed.

CLAIMS:

All claims of lost, damaged or incorrectly shipped materials must be made to ROHL LLC within 10 days after receipt of goods. Any claims outside this time may be rejected by ROHL LLC. Orders pertaining to warranty may be subject to a \$25 processing fee.

SHIPPING DAMAGE OR LOSS:

Delivery to the carrier constitutes delivery to customer. Any claim for loss or damage in transit should be made promptly by the customer to the carrier. Our responsibility ceases when the goods are delivered in good condition to the carrier.

PRODUCT CHANGES:

We reserve the right to discontinue, alter, modify, or redesign products without liability for the obsolescence of customers' inventories.

SPECIAL ORDERS:

All special order products are non-returnable and non-cancelable once the customer order is received by ROHL LLC. These orders may have a longer lead time than standard ROHL LLC products.

GENERAL:

The possession of this price list by anyone will not be accepted by ROHL LLC as an obligation or offer to sell any goods listed herein. All prices herein quoted supersede all prior price lists and bulletins. Existing trade terms continue in effect.

No order, contract or agreement will become an obligation until accepted in writing by ROHL LLC.

ROHL LLC does not have field service technicians. We are a sales and marketing company only. Sales Representatives do not perform in-home service.

Product that is handmade and is within tolerance of published dimensions will not be considered for return.

Shaws sinks continue to be handmade since the 1897 original design. Each sink is designed with a slight pitch to the drain, so standing water is normal. Standing water is not a reason for return.

These Terms and Conditions shall be deemed to be a part of all such acceptance by ROHL LLC and shall supersede any conflicting provisions of customer's purchase order. These Terms and Conditions, any sales hereunder, and any claim, dispute, or controversy between the parties arising from or relating to these Terms and Conditions, their interpretation, or the breach, termination, or validity thereof, will be governed by and construed in accordance within the laws of the United States, without regard to conflict-of-laws rule. The parties hereby agree that the United Nations Convention on Contracts for the International Sale of Goods will not apply to these Terms and Conditions and to the purchase and sale of products hereunder and any statute which would otherwise apply which implements such convention is expressly excluded.

Other than any express limited warranty granted by ROHL LLC with respect to a product, ROHL LLC disclaims all warranties and conditions, expressed or implied, statutory or otherwise, with respect to the products, including, without limitation, any implied warranty of quality, merchantability or fitness for a particular purpose, as well as warranties arising from course of dealing and usage of trade, and ROHL LLC does not represent or warrant that any product will meet the customer's requirements.

Customer may not use the ROHL LLC name or any ROHL LLC trademark, trade name, service mark, logo, or copyrighted work for any purpose. The sale of products by ROHL LLC does not constitute a license, implied or otherwise, for the use of any patents or know-how of others, nor does it constitute a license, implied or otherwise, on patents or know-how of ROHL LLC.

ROHL LLC WILL NOT BE LIABLE FOR ANY LOSS, DAMAGE OR INJURY RESULTING FROM DELAY IN DELIVERY OF THE PRODUCTS OR FOR ANY FAILURE TO PERFORM DUE TO CIRCUMSTANCES BEYOND OUR CONTROL OR THE CONTROL OF OUR SUPPLIERS, INCLUDING WITHOUT LIMITATION FAILURE OR DELAY IN TRANSPORTATION, ACTS OF ANY GOVERNMENT OR ANY AGENCY OR SUBDIVISION THEREOF, JUDICIAL ACTION, LABOUR DISPUTES, FIRE, ACCIDENT, ACTS OF NATURE, SHORTAGE OF LABOUR, FUEL OR RAW MATERIAL, OR MACHINERY OR TECHNICAL FAILURE. ROHL LLC'S MAXIMUM LIABILITY, IF ANY, FOR ALL DAMAGES, INCLUDING WITHOUT LIMITATION CONTRACT DAMAGES AND DAMAGES FOR INJURIES TO PERSONS OR PROPERTY, WHETHER ARISING FROM OUR BREACH OF THESE TERMS, BREACH OF WARRANTY, NEGLIGENCE, STRICT LIABILITY OR OTHER TORT WITH RESPECT TO THE PRODUCTS, IS LIMITED TO AN AMOUNT NOT TO EXCEED THE THEN-CURRENT WHOLESALE PRICE OF THE PRODUCTS. IN NO EVENT WILL ROHL LLC BE LIABLE TO CUSTOMER FOR ANY INCIDENTAL, CONSEQUENTIAL OR SPECIAL DAMAGES, INCLUDING WITHOUT LIMITATION LOST REVENUES AND PROFITS, EVEN IF WE HAVE BEEN ADVISED OF THE POSSIBILITY OF SUCH DAMAGES.

Effective: 3/2020



LIMITED WARRANTY

Most products or parts carry “Limited Warranties” against manufacturing defects as defined below.

Shaws Fireclay Kitchen Sinks	Limited Lifetime Warranty	Kitchen Drains, Basket Strainers	2-year Limited Warranty
Air Gaps, Coverplates, Sink Hole Covers, Air Switches	2-year Limited Warranty	Sanitary Ware/ Bath Fixture Accessories	1-year Limited Warranty
Kitchen Wire Sink Grids	1-year Limited Warranty		

ROHL's Promise — A “Limited Warranty” means ROHL LLC will provide free of charge, at its option, replacement part(s) or product (or a comparable alternative product) to replace those which have proven defective in materials or workmanship within the warranty period on that product or part as stated above.

ROHL LLC will not assume liability for labor expended, freight cost or damages accruing from the use of the material purchased from us. If material is defective, the limit of damage is the price of the defective material. Proof of purchase (original sales receipt) from the original consumer purchaser must be made available to ROHL LLC for all warranty claims. The warranty is not transferable and is extended solely to the original purchaser of the product, so long as the product remains in its original installation.

Warranty Exclusions and Disclaimers — This warranty is for normal domestic use only and excludes defect or injury caused by or resulting from misuse, abuse, neglect, accidental damage or improper installation.

IN NO EVENT WILL ROHL BE LIABLE FOR ANY SPECIAL, INCIDENTAL, OR CONSEQUENTIAL DAMAGES BASED ON BREACH OF WARRANTY, BREACH OF CONTRACT, NEGLIGENCE, STRICT TORT, OR ANY OTHER LEGAL THEORY. DAMAGES THAT ROHL WILL NOT BE RESPONSIBLE FOR INCLUDE, BUT ARE NOT LIMITED TO: LOSS OF PROFITS; LOSS OF SAVINGS OR REVENUE; LOSS OF USE OF THE PRODUCT OR ANY ASSOCIATED EQUIPMENT; COST OF CAPITAL; COST OF ANY SUBSTITUTE EQUIPMENT, FACILITIES, OR SERVICES; DOWNTIME; THE CLAIMS OF THIRD PARTIES, INCLUDING CUSTOMERS; AND DAMAGES OR INJURY TO PROPERTY.

This warranty gives you specific legal rights and you may also have other rights that vary from state to state.

In addition, the Limited Lifetime Warranty and term Limited Warranties do not apply to the replacement of components where damage is caused by normal wear and tear, including without limitation excess mineral deposits from water. As a special note, avoid all cleaning products that contain abrasives, ammonia, bleach and alcohol. They may damage the finish. Also, use only non-silicone caulking adhesive or plumbers putty for installation. Do not use lead based acidic curing adhesive or mastic when installing product. Silicone caulking may also degrade brass material. The use of Blue RTV silicone during installation will void the product warranty. Due to the harsh environment of sun, wind, rain and snow, installing ROHL products for outdoor use voids the warranty.

General Disclaimer — All warranties other than the express Limited Warranty herein contained, including but not limited to any implied warranty of merchantability or fitness for a particular purpose, are limited in duration to the applicable warranty period set forth above, or the applicable limitations period set by your state, whichever is shorter. Some states do not allow limitations on how long an implied warranty lasts and some states do not allow the exclusion or limitation of incidental or consequential damages, so the above limitations or exclusions may not apply to you.

No Other Warranties — Unless modified in a writing signed by both parties, this agreement is understood to be the complete and exclusive agreement between the parties, superseding all oral or written prior agreements and all other communications between the parties relating to the subject matter of this agreement, including statements made by salespersons. No employee of ROHL or any other party is authorized to make any warranty in addition to those made in this agreement. The buyer is warned, therefore, to check this agreement carefully to see that it correctly reflects those terms that are important to the buyer.

Foreign Outlets Online — One of the benefits of the Internet is that it has granted consumers the opportunity to learn about and purchase products from previously unknown foreign companies. Unfortunately, some foreign distributors who sell the foreign versions of ROHL's products have promoted these products for shipment to the United States. Though prices may look appealing, these products are not designed to be installed in American homes and significant problems may result. ROHL uses domestic distributors to ensure that its products meet American plumbing installation standards and have American plumbing code approvals. ROHL will not service, warrant, nor provide customer support for product purchased from foreign distributors.

Commercial Limited Warranty — ROHL warrants its products installed in a commercial application to be free from manufacturing defects for a period of one (1) year from the date of acquisition by original owner. IN COMMERCIAL INSTALLATIONS, THE ONE-YEAR LIMITED WARRANTY IS IN LIEU OF ALL OTHER WARRANTIES, EXPRESS OR IMPLIED, INCLUDING BUT NOT LIMITED TO THE IMPLIED WARRANTIES OF MERCHANTABILITY AND FITNESS FOR A PARTICULAR PURPOSE.

Effective: 3/2020



HOUSE OF ROHL

THE STORY CRAFT TELLS

We believe distinctive stories are what make life exceptional. At the House of Rohl, we pursue the discovery of time-honored craft that opens the door to stories unlike any other. Stories of place and provenance. Stories of dedication and passion. Stories of artistry and heritage. And the closer you look, the more you'll see, the details of your own story of a life well crafted.

EFFECTIVE MARCH 2, 2020

This price book supersedes all prices found in previous price books and is subject to change without notice.

Sold exclusively through fine decorative plumbing & hardware showrooms nationwide.

House of Rohl | Irvine, CA 92618
Phone: 800.777.9762 | houseofrohl.com

LIT-0002

