

EVERPURE®

2021 Everpure List Price Book



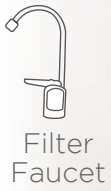
TABLE OF CONTENTS

	Page
The Everpure Advantage	4
Comparison Chart	5
Select Series Drinking Water Systems	6
Whole House Systems	8
Legacy Series Drinking Water Systems	9
Everpure Reverse Osmosis System	12
Quick Change Replacement Cartridges	13
In-Line Water Filters	14
TrimOut® Filter Faucets	14
Drinking Water Faucets	15
Water Appliances - Polaria™ and Solaria™	16
Frequently Asked Questions	17
Point of Use Installation Guide	18
Full Flow Installation Guide	19
Terms and Conditions of Sale	20



This price list supercedes all prices found in previous price lists and is subject to change without notice.

EVERPURE EVERYWHERE...



H-300-NXT



Kitchen /
Prep Sink

EF-6000



Instant
Hot



H-300-NXT



Coffee
Maker

EF-1500



Chiller



H-300-NXT



Refrigerator /
Ice Machine

EF-6000



Pot Filler



EF-6000



Outdoor
Kitchen

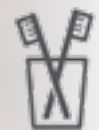
EF-1500



Wet Bar



EF-3000



Bathroom

EF-3000

THE EVERPURE ADVANTAGE

COMMERCIAL GRADE: Robust metal construction not susceptible to leaks like plastic filtration systems.

RECYCLABLE, SUSTAINABLE, GOOD FOR THE ENVIRONMENT: Everpure filters are 100% recyclable.

SANITARY, QUICK-CHANGE DESIGN: Annual cartridge replacements as easy as changing a light bulb.

NSF CERTIFICATION: All Everpure Select Series Products are certified by NSF International, to the strictest standards, ensuring the best quality water for your body.

GREAT TASTE: Rated at the highest levels for the reduction of off-tastes, odor, chlorine and particulate reduction.

RETAINS VITAL MINERALS: Retains vital minerals to ensure the healthiness and delicious taste of your family's water.

GOOD FOR YOUR FAMILY'S APPLIANCES: Protects your appliances from the build-up of limescale.

GOOD FOR YOUR FAMILY'S HEALTH: Protects against asbestos, lead, cysts, and various chemicals - some Everpure Systems even remove bacteria and viruses!

GOOD FOR YOUR FAMILY'S FINANCES: At only pennies per gallon!

The image shows a cutaway diagram of an Everpure water filter cartridge. Labels point to various components: Water Inlet, Water Outlet, Built-In Water Shut-Off Valve, Sanitary Quick-Change Design, Commercial Grade Stainless Steel Construction, System Head Engineered for Durability, Strength and Longevity, Micro-Pure Filtration, and Chemical Reduction Available in Select Systems. A yellow arrow indicates the flow of water through the filter. The diagram is set against a dark blue background with the Everpure logo and a promotional message.

PINNACLE SALES GROUP **EVERPURE®**

For over 80 years, Everpure products have led the industry with reliable and innovative technology.



sip. save . recycle

CHOOSE THE EVERPURE SYSTEM THAT BEST SUITS YOUR NEEDS

Features/Contaminants Removed	Select Series				Legacy Series			
	H-300-NXT	EF-6000	EF-3000	EF-1500	H-300	H-1200	H-54 / H-104	PBS400
Commercial Grade / Robust Metal Construction	•	•	•	•	•	•	•	•
Recyclable, Sustainable, Good for the Environment	•	•	•	•	•	•	•	•
Sanitary, Quick-Change Design	•	•	•	•	•	•	•	•
NSF Certification	•	•	•	•	•	•	•	•
Great Taste - Removes Off-tastes, Odor, Chlorine	•	•	•	•	•	•	•	•
Removes 99.9% of All Particles .5 Micron & Larger	•	•	•	•	•	•	•	•
Removes Turbidity, Dirt, Rust, Mold, Algae	•	•	•	•	•	•	•	•
Removes Cysts, Asbestos	•	•	•	•	•	•	•	•
Removes Oxidized Iron, Manganese and Sulfides	•	•	•	•	•	•	•	•
Removes 99.9% Lead	•	•	•	•	•	•	•	•
Retains Vital Minerals	•	•	•	•	•	•	•	•
Protects Appliances from Damaging Scale	•	•	•	•	•	•	•	•
Good for Your Family's Health	•	•	•	•	•	•	•	•
Good for your Family's Finances	•	•	•	•	•	•	•	•
Bacteriostatic Control	•	•	•	•	•	•	•	•
Provides Enhanced Bacteriostatic Control	•	•						
Reduces Volatile Organic Chemicals (VOC's, THM's)	•				•	•		
Enhanced Filtration Capacity (30%) vs. H-300	•					•		
Meets New NSF 401 Emerging Contaminants Standard	•							
MTBE Reduction						•		
No Additional Faucet Required		•	•	•				•
Separate Filter Faucet Required	•				•	•	•	
Flow Rate	.5 GPM	1.67 GPM	2.2 GPM	2.2 GPM	.5 GPM	.5 GPM	.5 GPM	2.2 GPM

The EF-6000, EF-3000, EF-1500, H-300-NXT, H-54, H-104, H-300, H-1200 and the PBS400 have been tested and listed by NSF only for the functions indicated above. Check for compliance with state and local laws and regulations. Do not use where the water is microbiologically unsafe or with water of unknown quality without adequate disinfection before or after the unit; may be used on disinfected water that may contain filterable cysts.

Systems tested & certified by NSF International against NSF/ANSI Standards 42, 53, 58 & P231

SELECT SERIES DRINKING WATER SYSTEMS



Complete System
Dimensions:
22" x 5" x 5"

H-300-NXT CHEMICAL & LEAD REDUCING SYSTEM

Filters 300-500 gallons; 0.5 GPM flow rate

- **Separate Filter Faucet Required**
- **Provides Enhanced Bacteriostatic Control (Inhibits Bacteria Growth)**
- **Removes Volatile Organic Chemicals (VOC's, THM's)**
- **Enhanced Filtration Capacity (30% more)**
- **Meets New NSF 401 Emerging Contaminants Standard (Pharmaceutical removal)**
- Commercial Grade / Robust Metal Construction
- Recyclable, Sustainable, Good for the Environment
- Sanitary, Quick-Change Design
- NSF Certification
- Great Taste - Removes Off-tastes, Odor and Chlorine
- Retains Vital Minerals
- Protects Appliances from Damaging Scale
- Good for your Family's Health
- Good for your Family's Finances

ITEM NUMBER	DESCRIPTION	LIST PRICE
EV927156	H-300-NXT Designer Drinking Water System, Retail Packaging	\$ 562
EV927446	H-300-NXT Replacement Cartridge	\$ 202



Complete System
Dimensions:
22" x 5" x 5"

EF-6000 FULL FLOW FILTRATION SYSTEM

Filters 6,000 gallons; 1.67 GPM flow rate

- **No Additional Faucet Required**
- **Connects Directly to the Cold Water Supply of your Existing Faucet**
- **Provides Enhanced Bacteriostatic Control (Inhibits Bacteria Growth)**
- Commercial Grade / Robust Metal Construction
- Recyclable, Sustainable, Good for the Environment
- Sanitary, Quick-Change Design
- NSF Certification
- Great Taste - Removes Off-tastes, Odor and Chlorine
- Retains Vital Minerals
- Protects Appliances from Damaging Scale
- Good for your Family's Health
- Good for your Family's Finances

ITEM NUMBER	DESCRIPTION	LIST PRICE
EV985500	EF-6000 Designer Drinking Water System, Retail Packaging	\$ 507
EV985556	EF-6000 Replacement Cartridge	\$ 197

STOCK ITEMS ARE LISTED IN RED

SELECT SERIES DRINKING WATER SYSTEMS

EF-3000 FULL FLOW FILTRATION SYSTEM

Filters 3,000 gallons; 2.2 GPM flow rate

- **No Additional Filter Faucet Required**
- **Connects Directly to the Cold Water Supply of Your Existing Faucet**
- Commercial Grade / Robust Metal Construction
- Recyclable, Sustainable, Good for the Environment
- Sanitary, Quick-Change Design
- NSF Certification
- Great Taste - Removes Off-tastes, Odor and Chlorine
- Retains Vital Minerals
- Protects Appliances from Damaging Scale
- Good for your Family's Health
- Good for your Family's Finances

ITEM NUMBER	DESCRIPTION	LIST PRICE
EV985700	EF-3000 Designer Drinking Water System, Retail Packaging	\$ 462
EV985750	EF-3000 Replacement Cartridge	\$ 158



Complete System
Dimensions:
20" x 5" x 5"

EF-1500 FULL FLOW FILTRATION SYSTEM

Filters 1,500 gallons; 2.2 GPM flow rate

- **No Additional Filter Faucet Required**
- **Connects Directly to the Cold Water Supply of Your Existing Faucet**
- Commercial Grade / Robust Metal Construction
- Recyclable, Sustainable, Good for the Environment
- Sanitary, Quick-Change Design
- NSF Certification
- Great Taste - Removes Off-tastes, Odor and Chlorine
- Retains Vital Minerals
- Protects Appliances from Damaging Scale
- Good for your Family's Health
- Good for your Family's Finances

ITEM NUMBER	DESCRIPTION	LIST PRICE
EV985800	EF-1500 Designer Drinking Water System, Retail Packaging	\$ 439
EV985850	EF-1500 Replacement Cartridge	\$ 135



Complete System
Dimensions:
15" x 5" x 5"

Select Series Products

WHOLE HOUSE FILTRATION SYSTEMS



T-20 WHOLE HOUSE PREMIUM SYSTEM

Capacity 6-12 months when properly configured;
8-10 GPM flow rate

- **In addition to the installation of the T-20 the manufacturer recommends the installation of an Everpure point-of-use system under your kitchen sink for your drinking and cooking water applications.**
- Commercial Grade / Robust Metal Construction
- Recyclable, Sustainable, Good for the Environment
- NSF Certification
- Great Taste - Removes Off-tastes, Odor and Chlorine
- Retains Vital Minerals
- Good for your Family's Health
- Eliminates fine particles of dirt, dust and other impurities that give water a cloudy appearance.

ITEM NUMBER	DESCRIPTION	LIST PRICE
EV937000	T-20 Premium Whole House System	\$ 2,801
EV971000	T-20 Refurbish Kit (Includes Element & Recharge Kit)	\$ 514
EV969000	T-20 Recharge Kit Only	\$ 91.80

Complete System Dimensions:
28.5" X 9.125" x 9.125"



E-SERIES WHOLE HOUSE AND PRE-FILTER SYSTEMS

Capacity 3-6 months, dependent on water quality;
Maximum 6.0 GPM flow rate

- **In addition to the installation of the E-20 the manufacturer recommends the installation of an Everpure point-of-use system under your kitchen sink for your drinking and cooking water applications.**
- The E-Series Sediment Systems with 10 micron filtration protect appliances, plumbing and faucets by removing dirt, sediment and grit from the water.

ITEM NUMBER	DESCRIPTION	LIST PRICE
EV979590	E-20 Whole House Sediment System (6 GPM Flow Rate)	\$ 202
EV953420	EC210 Replacement Cartridge	\$ 14.35
EV979580	E-10 Whole House Sediment System (3 GPM Flow Rate)	\$ 122
EV953440	EC110 Replacement Cartridge	\$ 7.85

STOCK ITEMS ARE LISTED IN RED

LEGACY SERIES DRINKING WATER SYSTEMS

H-1200 HIGH-VOLUME CHEMICAL, MTBE & LEAD REDUCING SYSTEM

Filters 1,000 gallons; 0.5 GPM flow rate

- **Separate Filter Faucet Required**
- **Provides Enhanced Bacteriostatic Control (Inhibits Bacteria Growth)**
- **Removes Volatile Organic Chemicals (VOC's, THM's)**
- Commercial Grade / Robust Metal Construction
- Recyclable, Sustainable, Good for the Environment
- Sanitary, Quick-Change Design
- NSF Certification
- Great Taste - Removes Off-tastes, Odor and Chlorine
- Retains Vital Minerals
- Protects Appliances from Damaging Scale
- Good for your Family's Health
- Good for your Family's Finances

ITEM NUMBER	DESCRIPTION	LIST PRICE
EV928200	H-1200 Designer Drinking Water System, Retail Packaging	\$ 831
EV928203	H-1200 Replacement Cartridge (2 Cartridge Set)	\$ 394



Complete System Dimensions:
22" x 5" x 15"

H-300 CHEMICAL & LEAD REDUCING SYSTEM

Filters 300-500 gallons; 0.5 gpm flow rate

- **Separate Filter Faucet Required**
- **Provides Enhanced Bacteriostatic Control (Inhibits Bacteria Growth)**
- **Removes Volatile Organic Chemicals (VOC's, THM's)**
- Commercial Grade / Robust Metal Construction
- Recyclable, Sustainable, Good for the Environment
- Sanitary, Quick-Change Design
- NSF Certification
- Great Taste - Removes Off-tastes, Odor and Chlorine
- Retains Vital Minerals
- Protects Appliances from Damaging Scale
- Good for your Family's Health
- Good for your Family's Finances

ITEM NUMBER	DESCRIPTION	LIST PRICE
EV927070	H-300 Designer Drinking Water System, Retail Packaging	\$ 525
EV927071	H-300 Replacement Cartridge	\$ 191



Complete System Dimensions:
22" x 5" x 5"

Everpure Legacy Series Products

WHOLE HOUSE FILTRATION SYSTEMS



Complete System
Dimensions
20" x 5" x 5"

PBS-400 FULL FLOW SYSTEM FOR KITCHEN, WET BAR, BATHROOM, ETC.

Filters 3,000 gallons; 2.2 gpm flow rate

- **No Additional Filter Faucet Required**
- **Connects Directly to the Cold Water Supply of Your Existing Faucet**
- Commercial Grade / Robust Metal Construction
- Recyclable, Sustainable, Good for the Environment
- Sanitary, Quick-Change Design
- NSF Certification
- Great Taste - Removes Off-tastes, Odor and Chlorine
- Retains Vital Minerals
- Protects Appliances from Damaging Scale
- Good for your Family's Health
- Good for your Family's Finances

ITEM NUMBER	DESCRIPTION	LIST PRICE
EV927087	PBS-400 Prep Sink and Bar Sink Filtration System, Retail Packaging	\$ 489
EV927086	PBS-400 Replacement Cartridge	\$ 157



Complete System
Dimensions
20" X 5" x 5"

SPA-400 FULL FLOW SYSTEM FOR KITCHEN, WET BAR, BATHROOM, ETC.

Filters 3,000 gallons; 2.2 GPM flow rate

- **No Additional Filter Faucet Required**
- **Connects Directly to the Cold Water Supply of your Existing Faucet**
- Commercial Grade / Robust Metal Construction
- Recyclable, Sustainable, Good for the Environment
- Sanitary, Quick-Change Design
- NSF Certification
- Great Taste - Removes Off-tastes, Odor and Chlorine
- Retains Vital Minerals
- Protects Appliances from Damaging Scale
- Good for your Family's Health
- Good for your Family's Finances

ITEM NUMBER	DESCRIPTION	LIST PRICE
EV927090	SPA-400 Full Flow Filtration System, Retail Packaging	\$ 463
EV927091	SPA-400 Replacement Cartridge	\$ 165

STOCK ITEMS ARE LISTED IN RED

LEGACY SERIES DRINKING WATER SYSTEMS

H-54 LEAD REDUCING SYSTEM

Filters 750 gallons; 0.5 gpm flow rate

- **Separate Filter Faucet Required**
- Commercial Grade / Robust Metal Construction
- Recyclable, Sustainable, Good for the Environment
- Sanitary, Quick-Change Design
- NSF Certification
- Great Taste - Removes Off-tastes, Odor and Chlorine
- Retains Vital Minerals
- Protects Appliances from Damaging Scale
- Good for your Family's Health
- Good for your Family's Finances

ITEM NUMBER	DESCRIPTION	LIST PRICE
EV925266	H-54 Designer Drinking Water System, Retail Packaging	\$ 441
EV973006	H-54 Replacement Cartridge	\$ 117



Complete System
Dimensions:
15" x 5" x 5"

H-104 HIGH-VOLUME LEAD REDUCING SYSTEM

Filters 1,000 gallons; 0.5 gpm flow rate

- **Separate Filter Faucet Required**
- Commercial Grade / Robust Metal Construction
- Recyclable, Sustainable, Good for the Environment
- Sanitary, Quick-Change Design
- NSF Certification
- Great Taste - Removes Off-tastes, Odor and Chlorine
- Retains Vital Minerals
- Protects Appliances from Damaging Scale
- Good for your Family's Health
- Good for your Family's Finances

ITEM NUMBER	DESCRIPTION	LIST PRICE
EV926270	H-104 Designer Drinking Water System, Retail Packaging	\$ 465
EV961216	H-104 Replacement Cartridge	\$ 144



Complete System
Dimensions:
20" x 5" x 5"

REVERSE OSMOSIS FILTRATION SYSTEM



ROM IV REVERSE OSMOSIS SYSTEM

Filters 1,000 gallons; 0.5 gpm flow rate

- **Separate Air Gap Filter Faucet (Included)**
- Three Stage Filtration System
- 14 Gallon Per Day High Recovery Reverse Osmosis Membrane
- Compact System Fits Under Your Kitchen Sink
- Designed for Chlorinated or Non-Chlorinated Water Supplies
- Sanitary Cartridge Replacement is Simple, Quick and Clean
- Most Efficient Technology Available on the Market Today

Complete System
Dimensions:
20" x 5" x 5"

ITEM NUMBER	DESCRIPTION	LIST PRICE
EV929650	ROM-IV Complete System	\$ 1,724
EV929775	ROM-IV Replacement Membrane	\$ 293
EV929670	ROM-IV Replacement Prefilter/Postfilter	\$ 309



Universal Air Gap Adapter

* Universal Air Gap adapter must be used if a non air gap faucet different than what is included is installed with the ROM IV system above

ITEM NUMBER	FINISH	LIST PRICE
EV312339	Everpure Wall-Mounted Universal Air Gap*	\$ 76.65

**QUICK CHANGE REPLACEMENT CARTRIDGES
FOR DRINKING WATER SYSTEMS**

ITEM #	DESCRIPTION	SYSTEM	LIST PRICE
EV927446	H-300-NXT Replacement Cartridge	H-300-NXT	\$ 202
EV985556	EF-6000 Replacement Cartridge	EF-6000	\$ 197
EV985750	EF-3000 Replacement Cartridge	EF-3000	\$ 158
EV985850	EF-1500 Replacement Cartridge	EF-1500	\$ 135
EV971000	T-20 Refurbish Kit (Includes Element & Recharge Kit)	T20	\$ 514
EV969000	T-20 Recharge Kit Only	T20	\$ 91.80
EV927091	SPA-400 Replacement Cartridge	SPA-400	\$ 165
EV927071	H-300 Replacement Cartridge	H-300	\$ 191
EV928203	H-1200 Replacement Cartridge - Two Cartridge Set	H-1200	\$ 394
EVH2TPAC	Standard THM Replacement Cartridge Pack	THM 1 & 2	\$ 338
EV927087	PBS-400 Replacement Cartridge	PBS-400	\$ 157
EV9733006	H-54 Replacement Cartridge	H-54	\$ 117
EV961216	H-104 Replacement Cartridge	H-104	\$ 144
EV929775	ROM-IV Replacement Membrane	ROM-IV	\$ 293
EV929670	ROM-IV Replacement Prefilter/Postfilter	ROM-IV	\$ 309





IN-LINE WATER FILTERS

- 0.75 GPM Flow Rate
- Provides clear, fresh, quality ingredient water for coffee and ice applications
- Granular activated carbon reduces chlorine taste and odor, which can cause coffee to taste bitter
- Inhibits the formation of limescale, which can shorten the life of equipment
- In-line design is compact and installs out of sight behind equipment
- Compatible with most in-line filter systems

ITEM NUMBER	DESCRIPTION	CAPACITY / LIFE	LIST PRICE
EV910006	10" Granular Activated Carbon with Scale Control and JG (Push-In) Fittings	2,400 Gallons	\$ 38.05
EV910086	12" High Capacity Granular Activated Carbon with Scale Control and JG (Push-In) Fittings	4,800 Gallons	\$ 54.40



TRIMOUT® BRAND ACCENT FILTER FAUCETS

7/16" Minimum Hole Size Required



Long Reach - 8"

ITEM NUMBER	DESCRIPTION	LIST PRICE
TR-TF1017CH2	Filter Faucet, Long Reach, Chrome	\$ 64
TR-TF1017BI2	Filter Faucet, Long Reach, Biscuit	\$ 82
TR-TF1017BK2	Filter Faucet, Long Reach, Black	\$ 82
TR-TF1017BN2	Filter Faucet, Long Reach, Brushed Nickel	\$ 82
TR-TF1017WT2	Filter Faucet, Long Reach, White	\$ 86
TR-TF1017AGCH2	Filter Faucet, Long Reach, Air Gap, Chrome	\$ 86
TR-TF1017AGBI2	Filter Faucet, Long Reach, Air Gap, Biscuit	\$ 103
TR-TF1017AGBK2	Filter Faucet, Long Reach, Air Gap, Black	\$ 103
TR-TF1017AGBN2	Filter Faucet, Long Reach, Air Gap, Brushed Nickel	\$ 103
TR-TF1017AGWT2	Filter Faucet, Long Reach, Air Gap, White	\$ 103



Short Reach - 6"

ITEM NUMBER	DESCRIPTION	LIST PRICE
TR-TF1000CH2	Filter Faucet, Short Reach, Chrome	\$ 62
TR-TF1000BI2	Filter Faucet, Short Reach, Biscuit	\$ 80
TR-TF1000BK2	Filter Faucet, Short Reach, Black	\$ 80
TR-TF1000BN2	Filter Faucet, Short Reach, Brushed Nickel	\$ 80
TR-TF1000WT2	Filter Faucet, Short Reach, White	\$ 84
TR-TF1000AGCH2	Filter Faucet, Short Reach, Air Gap, Chrome	\$ 82
TR-TF1000AGBI2	Filter Faucet, Short Reach, Air Gap, Biscuit	\$ 102
TR-TF1000AGBK2	Filter Faucet, Short Reach, Air Gap, Black	\$ 102
TR-TF1000AGBN2	Filter Faucet, Short Reach, Air Gap, Brushed Nickel	\$ 102
TR-TF1000AGWT2	Filter Faucet, Short Reach, Air Gap, White	\$ 102

DRINKING WATER FAUCETS

- The sleek, versatile design of Everpure’s filter faucets are available in two striking styles and various finishes
- Lead-free, forged brass construction with ceramic disc type valve
- Aerator tip provides even, clear stream of filtered water; 0.5 GPM flow
- Ambient or chilled water only

CLASSIC SERIES FAUCET

ITEM NUMBER	FINISH	LIST PRICE
EV997062	Chrome	\$ 375
EV997063	Brushed Nickel	\$ 375



Chrome

Brushed Nickel

Faucet Dimensions:
5.75"W X 12.28"H
1/2" Hole Size

DESIGNER SERIES FAUCET

ITEM NUMBER	FINISH	LIST PRICE
EV997056	Chrome	\$ 203
EV997059	Brushed Nickel	\$ 203



Chrome

Brushed Nickel

Faucet Dimensions:
6.25"W X 11.5"H
1/2" Hole Size

ITEM NUMBER	FINISH	LIST PRICE
EV312339	Everpure Wall-Mounted Universal Air Gap*	\$ 76.65



Universal Air Gap Adapter

* For use with all non air gap point of use faucets installed with the ROM IV system on Page 13.

WATER APPLIANCES



Complete System Dimensions:
7"W x 17"D x 14"H

POLARIA™ WATER CHILLER

- Commercial grade chiller delivers up to 1.3 gallons of icy cold water per hour
- Whisper quiet compressor
- Ozone friendly

ITEM NUMBER	DESCRIPTION	LIST PRICE
EV931830	Polaria Water Chiller	\$ 1,494



Complete System Dimensions:
6.8"W x 8.1"D x 11.2"H

SOLARIA™ INSTANT HOT WATER DISPENSER

- Commercial grade instant hot water dispenser delivers piping hot water at 190°
- Insulated 5/8 gallon tank delivers up to 100 cups per hour
- Self-resetting thermal fuse
- Faucet sold separately
- Must use Dual Temperature Faucet

ITEM NUMBER	DESCRIPTION	LIST PRICE
EV931840	Solaria Instant Hot Water Dispenser	\$ 562



SOLARIA AND POLARIA DUAL TEMPERATURE DRINKING WATER FAUCETS

Everpure's Designer Series Dual Temperature hot/cold drinking water faucets deliver chilled or ambient filtered water and near boiling instant hot water from a single spout.

- Exclusively designed to be used with the Solaria™ Instant Hot Water Dispenser
- Solid stainless steel, lead-free construction with ceramic disc-type valves
- Insulated spout with aerator tip provides even, clear stream of filtered water
- Spring-loaded "hot" shut-off valve safety feature
- Heating tank sold separately

ITEM NUMBER	DESCRIPTION	LIST PRICE
EV900085	Polished Stainless Steel Faucet	\$ 770
EV900086	Brushed Stainless Steel Faucet	\$ 770

Contact your Pinnacle Sales Representative for additional faucet recommendations.

How often do I need to change the cartridge in my home?

The cartridge should be replaced once a year, or sooner, if you see a decrease in flow rate.

But I am only here 4 months per year; can I wait for two years to change the cartridge?

In order to assure continuous quality, we recommend that you follow factory guidelines and replace the cartridge once a year or sooner, if you see a decrease in flow rate, whichever comes first.

What type of warranty does my system have?

Most Everpure systems have a limited Lifetime Warranty which goes into effect when the product is initially registered, and remains in effect so long as the unit is serviced per factory specifications – by changing cartridges at least annually.

Can I install an H-300NXT replacement cartridge in place of my old H-300, H-200, H-201, H-104, or H-54 cartridge?

Yes, an advantage of Everpure Products is that you can upgrade with each annual cartridge change. If you do upgrade to an H-300NXT, there are two items to take note of: A) the H-300NXT cartridge is approximately 3" longer than the H-104 cartridge, and the H-104 cartridge is approximately 5" longer than the H-54 cartridge. B) the factory recommends that the H-54, H-104, and H-300NXT be restricted to a flow of 1/2 gpm (gallons per minute). This is normally done by replacing the outlet fitting with a restrictor fitting.

What is a T-20?

This system is used in both consumer and commercial applications. The unit removes the yellowish tannins, tastes, odors, particles, etc. from the water. The T-20 will need to be serviced at least once per year. Instructions for servicing a T-20 system are clearly written on the reverse side of the T-20 Micropure Recharge packaging. The manufacturer does recommend an additional point of use system to be installed for drinking water.

What is Reverse Osmosis or RO?

An RO or Reverse Osmosis System is effective at removing heavy metals like lead; however, it also removes essential minerals your body needs. The RO Process itself is not effective at removing most common contaminants, which are of concern to consumers, such as chlorine, chloramine and other chemical compounds like THMs and VOCs. RO systems rely on prefilters and postfilters to remove other contaminants including chlorine, tastes, organic chemicals, pesticides, etc.

Are Everpure Food Service Cartridges supposed to be used for consumer applications?

No, for several reasons: (A) Most importantly, commercial systems and cartridges are generally designed to address aesthetics. They are not designed to address consumer concerns such as lead reduction, THM reduction, VOC reduction, etc. (B) Food Service cartridges are not warranted for consumer applications. (C) Many Everpure Food Service cartridges are designed for flow rates not normally found in the home. And they may also introduce a dosage of polyphosphate in excess of that recommended for consumer consumption.

What if my new cartridge or system is producing "white or milk-like water?"

This condition is more than likely caused by air pockets in the water line. Let water flow for 3-5 minutes to get the air out of the lines. If the problem persists for more than a week or two, reduce the flow rate through the saddle-tee or the needle-valve on the plumbed-in tee to equalize the pressure.

Why does Everpure construct their drinking water system from metal instead of plastic?

Plastic units are susceptible to leaks, floods, and failure. Our metal units protect both you and consumers from this concern. Each unit is tested at the factory before it is shipped.

Why do some Everpure units require a separate faucet?

Drinking water systems which are NSF listed to remove lead, chemicals, etc. must flow at a maximum of 1/2 gallon per minute. This makes the addition of a separate faucet necessary. Please note that we can provide faucets in a variety of popular styles and finishes.

My system "squeals" / "chatters" when I turn the water on, what's the problem?

On new installs or if cartridges have been changed out - Has the system been purged? Let water flow for 3-5 minutes to get the air out of the lines. If this does not work - disconnect the system, clean the lines, and check the restrictor fittings for debris - reinstall, then purge for 3-5 minutes.

We have a Sub Zero Refrigerator and want to install an RO system for the ice maker; is it recommended?

No - most appliance manufacturers, including Sub Zero, tell you NOT to use reverse osmosis systems as they strip and deionize water, making it reactive. RO water also lowers the PH causing the water to be acidic, all of which can cause lines to develop leaks over time. Use an H-300NXT or SPA400 System instead.

EVERPURE®

QUICK APPLICATION AND INSTALLATION GUIDE - POINT OF USE FILTER FAUCET



1. Shut off water and relieve line pressure. For heads with built-in shut-off valve, fully lift handle until it stops.
2. Hold head firmly. Push upward on cartridge and turn it to the left ¼ turn, until rotation stops.

3. Pull cartridge down and out of head.
4. Align new cartridge lug with head label. Hold head firmly. Insert new cartridge into head until fully inserted.

5. Turn cartridge to right ¼ turn until rotation stops.
6. Turn on water supply. For heads with built-in valve, lower handle.

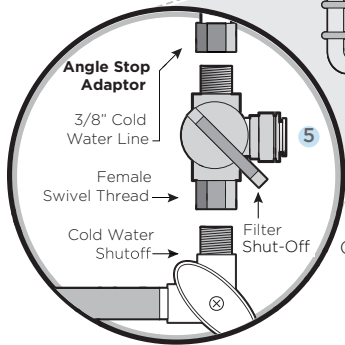
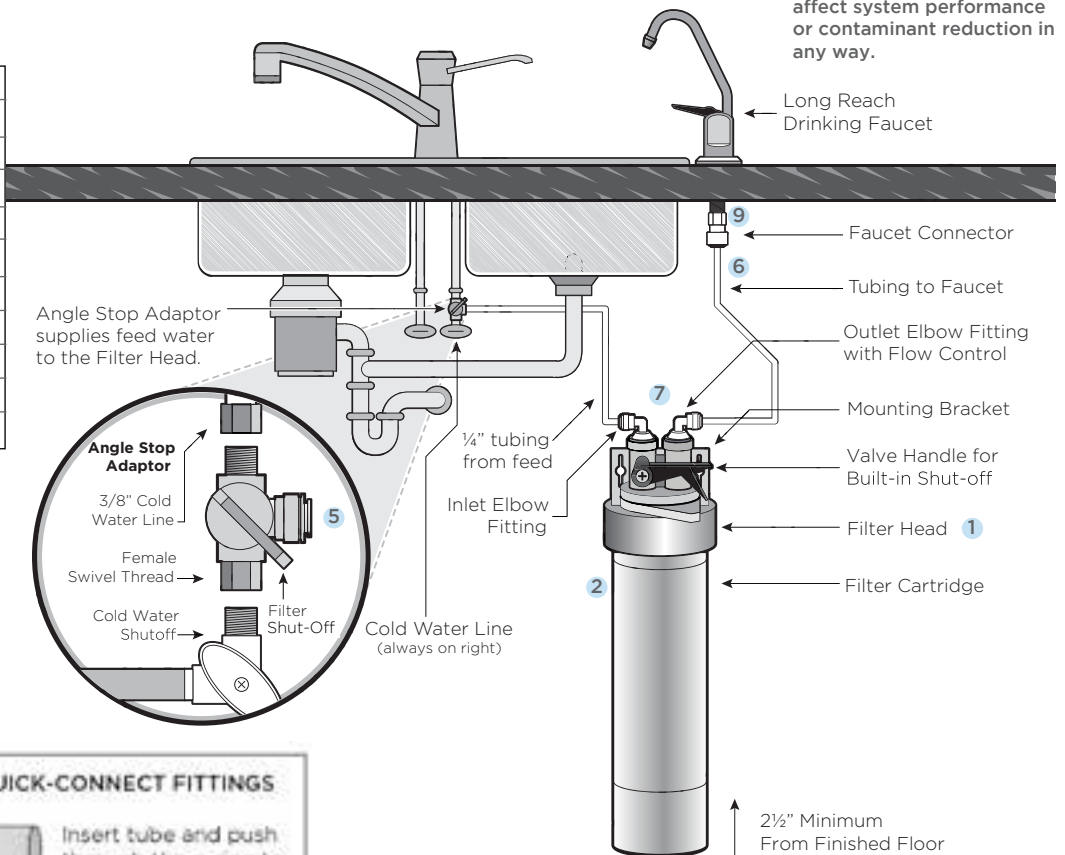
NOTE: For Head with Revolving Ring, make sure the valve handle locks firmly into the ring notch.

7. **NOW FLUSH CARTRIDGE!** Follow start up procedure.

START-UP PROCEDURE
Run water through filtered water faucet for three minutes to activate cartridge. Activation also purges air and carbon fines. (A unit plumbed to an ice maker should also be plumbed to a drinking water tap to insure satisfactory performance.)

NOTE: Dispensed water may appear cloudy for a few days. This is due to air in the filter cartridge, and does not affect system performance or contaminant reduction in any way.

KEY	DESCRIPTION
1	QL3 Filter Head
2	Filter Cartridge
3	2 Locking Washers
4	2 Screws
5	Angle Stop Valve Adaptor
6	Tubing, ¼" poly (not included)
7	Elbow Fitting Pack Restrictor
8	Plumbers Tape </td
9	Faucet Connector
10	Everpure Filter Timer



1.) HOW TO CONNECT QUICK-CONNECT FITTINGS

Insert tube and push through the o-ring to the tube stop

2.) HOW TO DISCONNECT FITTINGS

Push in collect against face of fitting and hold. Remove tube. Fitting can be reused

Important Note: The 3/8" fitting has a small restrictor insert and must be installed on the outlet side only. Failure to do so will result in low to no flow.

QUICK APPLICATION AND INSTALLATION GUIDE - FULL FLOW

1. Verify Under-Sink Mounting Location

Measure 22", 20" or 15" (depending on cartridge - see dimensions below) from the base of the cabinet, and mark the mounting location for the top of the filter head. Make sure there is adequate space above the head to open and close the built-in shut-off valve and to avoid crimping the water line tubing. Also, make sure your chosen location offers easy access for future cartridge changes.

Dimension	Width	Mounting Height	Depth
EF-1500	5 inches	15 inches	5 inches
EF-3000	5 inches	20 inches	5 inches
EF-6000	5 inches	22 inches	5 inches

NOTE: The head and cartridge must be mounted in the vertical position, with the cartridge hanging down.

2. Mount Filter Head Under Sink

NOTE: Two sets of unions are included to connect to the 3/8" head connections. If your existing braided tubing has 1/2" connections, use the 1/2" x 3/8" unions instead of the 3/8" x 3/8" unions. You will have 2 extra fittings with either installation. The following instructions are for a typical installation using 1/2" supply lines.

A. Apply plumber tape to the small threads of one Union Fitting and screw into the open end of the Elbow. Wrap tape in direction of the threads to assure a tight fit and avoid small leaks.

B. Apply plumber tape to the threads of the Elbow Fitting and screw into the inlets (left) side of the Filter Head. Hand tighten only.

C. Apply plumber tape to the small threads of the second Union Fitting, and screw into the right side of the filter head in the same manner.

D. Securely mount the filter head on the cabinet wall using the enclosed mounting screws and washers.

3. Connect Inlet Water Supply

E. Locate and close the cold water shut-off valve under your sink. Open cold water line of faucet to release water pressure.

F. Unscrew and disconnect the braided tubing on top of cold water shut-off valve.

H. Attach the other end of the new Braided Tubing to the inlet side of the filter head (Union & Elbow Fittings).

4. Attach Filtered Water to Cold Line of Faucet

I. Attach open end of existing Braided Tubing to Union Fitting on outlet side (right) of new Filter Head. Hand tighten to avoid damage to fittings.

5. Install And Flush Filter Cartridge

J. Lift handle of the build-in shut off (QC Valve) on the Head.

K. Hold Head firmly with one hand.

L. Align cartridge lug with label on filter Head.

M. Insert filter Cartridge - Push upwards.

N. Turn it to the right - About 1/4 turn - Until rotation stops.

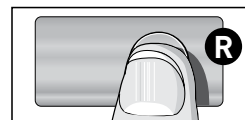
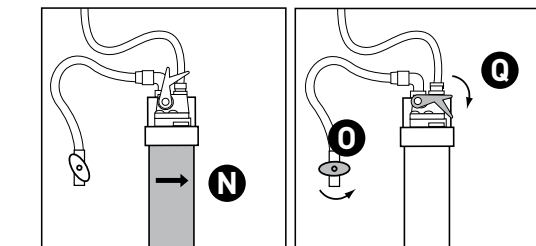
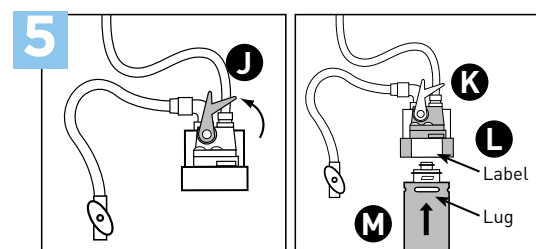
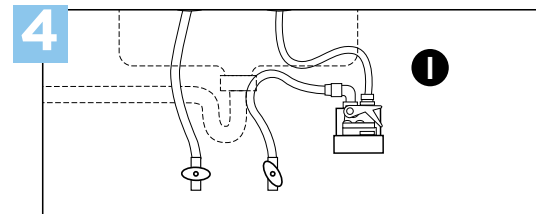
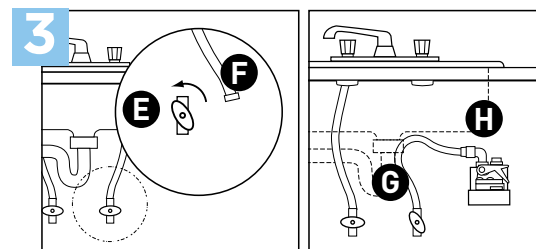
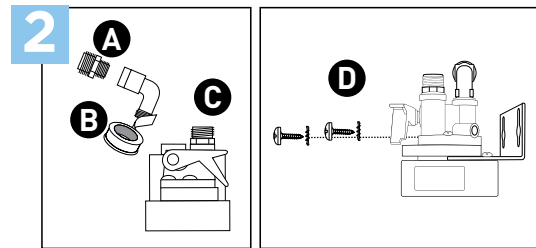
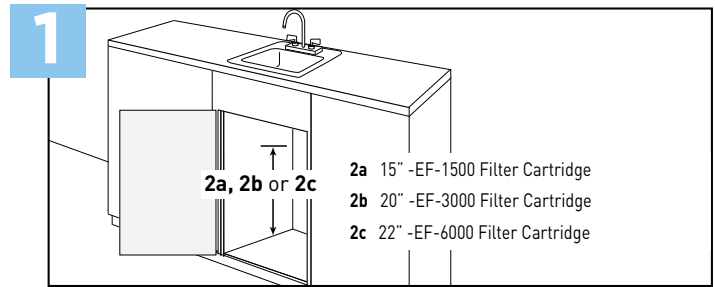
O. Open cold water valve and check for leaks up to Inlet Elbow Fitting.

P. Open Water Faucet (not pictured).

Q. Lower the QC Valve Handle to flush water to the sink.

NOTE: Flush new filter cartridge for at least 3 minutes to remove air and any loose carbon. At first the water may appear cloudy due to trapped air in the filter and tubing. If water continues to be cloudy for more than one week, please contact Pinnacle Technical Support for assistance: (800)292-8374 ext 312.

R. Activate Filter Timer by pinching bubble until you feel a change in resistance as the Filter timer "pops". Within a few seconds, a thin RED line will appear in the white window showing the Timestrip(R) has been activated. Peel away backing and adhere to desired location. When the white window is completely filled with RED (11½ months have passed), it is time to replace your product.



Orders: All orders and any subsequent change orders must be submitted in writing and delivered to Pinnacle Express, Inc. by mail, fax or e-mail. No telephone orders will be accepted. Special Order items are Non-Cancellable.

Prices: All prices are subject to change without notice and are exclusive of any sales or use taxes, shipping, delivery, special packaging, or handling charges that may apply to each customer or to each order.

Minimum Advertised Pricing: All sales are subject to Pinnacle Express, Inc. minimum advertised prices. Failure to comply with minimum advertised prices will result in cancellation of any agreement and violators will not be entitled to purchase further products.

Minimum Sale Price: All sales are subject to Pinnacle Express, Inc. minimum sale prices. Failure to comply with minimum sale prices will result in cancellation of any agreement and violators will not be entitled to purchase further products.

Freight and Handling: Pinnacle Express, Inc. reserves the right to ship products by its choice of carrier. All shipments are F.O.B. from place of shipment, and risk of loss shall pass to the Buyer upon delivery to the carrier at the point of shipment. Additional charges may apply for special handling and packaging.

Deliveries: Pinnacle Express, Inc. shall not be liable for failure to deliver or for delays in delivery or performance due to: (1) causes beyond its reasonable control; (2) acts of God, acts of Buyer, acts of civil or military authority, governmental allocations or controls, fires, strikes or other labor difficulties, riots or other civil disturbances, delays in its usual source of supply, delays in transportation; (3) any other commercial impracticability. In the event of such delay, the date of delivery or performance shall be extended for a period equal to the time lost by reason of the delay.

Claims: All claims for non-conforming delivery of Products must be made within twelve (12) days of receipt of shipment.

Damage or Loss: Any claim for damage or loss in shipment should be made to the carrier immediately by the customer. Products become the responsibility of the Buyer when accepted by the carrier in good condition from Pinnacle Express, Inc. and we are not able to process shipping damage claims.

Returns: Only Items marked in this Price List as "Stock Item" are subject to return. All other items are considered Special Order Items and are NOT RETURNABLE. No Products may be returned without a Pinnacle Express, Inc. Return Goods Authorization (RGA) Number issued prior to the return of Product. Any product returned without an RGA will be refused and returned to the sender. RGA's are valid for thirty (30) days only. All returns are subject to inspection before being approved for credit - products must be in saleable condition to be considered for return or replacement. A 30% restocking charge will apply to all returns.

Payment: Unless otherwise noted, payment terms are Net Due on Receipt. Balances owed on invoices over 30 days old are subject to a 1.5% per month charge. Each shipment or delivery shall be deemed to have been sold under a separate and or independent contract and payment thereof shall be made in accordance with the terms of this agreement and of the invoice rendered by Pinnacle Express, Inc. Buyer agrees that title to the personal property described herein shall not vest in Buyer until paid in full. In the event of insolvency or the filing of bankruptcy by the Buyer, Buyer agrees to return all merchandise to Pinnacle Express, Inc.

Warranties: Products distributed by Pinnacle Express, Inc. are the products of reputable manufacturers sold under their respective brand or trade names. Pinnacle Express, Inc. shall use its best efforts to obtain from each manufacturer, in accordance with the manufacturer's warranty or customary practice, the repair or replacement of products that may prove defective in material or workmanship. The foregoing shall constitute the exclusive remedy of the Buyer and the sole obligation of Pinnacle Express, Inc. with the exception of the Lifetime Warranty Program for Everpure Drinking Water Systems. This special warranty extends the manufacturer's 12-month limited warranty on an annual basis as long as the owner of an Everpure Drinking Water System can provide documentary evidence of purchase and installation of appropriate Everpure replacement cartridges. Except as to Title, THERE ARE NO WARRANTIES, EITHER WRITTEN, ORAL, IMPLIED, OR STATUTORY relating to the described products which shall extend beyond that described in this paragraph. NO WARRANTY OF MERCHANTABILITY OR OF FITNESS FOR PURPOSE SHALL APPLY.

Limitation of Liability: Pinnacle Express, Inc.'s liability on any claims for loss or damage arising out of this contract or from the performance or breach thereof or connected with the supplying of products hereunder, or its sale, resale, operation or use, whether based on warranty, contract, negligence or other grounds shall not exceed the price allowable for such products or parts thereof involved in the claim. Pinnacle Express, Inc. shall not, under any circumstances, be liable for any labor charges unless agreed upon in advance and in writing by Pinnacle Express, Inc. and the manufacturer of the products involved. Pinnacle Express, Inc. shall not in any event be liable for special or consequential damages, including, but not limited to, loss of profits or revenue, loss of use of the product or any associated product, cost of capital, cost of substitute products, facilities or services, downtime costs, or claims of customers of the Buyer for such damages.

General: The possession of this Price List by anyone is not to be considered as an offer to sell any of the Products contained herein. This Price List supercedes all previous price lists or memorandums. Pinnacle Express, Inc.'s existing Trade Terms and Conditions remain in effect.

The above Terms and Conditions shall be a part of all Orders accepted by Pinnacle Express, Inc. and shall supercede any conflicting provisions of our customer's purchase orders. These terms and conditions are subject to change without notice.



Pinnacle Express, Inc.
P.O. Box 1836 • Dundee, FL 33838
P: 800-292-8374 • F: 800-574-8805
www.pinnacleexpress.com