

# ROHL






## 2021 PRICE BOOK



# ROHL

## THE ELUSIVE IS NOW WITHIN REACH

At ROHL®, we have an eye for the exquisite and a passion for the uncommon. We travel across continents, from artisans' workshops to design ateliers to discover the best of the best. We seek out descendants of stonecutters and brass bell makers from Italian villages with a heritage of craft, and find engineering experts who ensure technical excellence. We cultivate deep relationships with designers from around the world who create collections of originality and brilliance inspired by timeless classicism, modern styling, and novel innovation. ROHL® is always searching for the incomparable, whether touched by hand or forged through new techniques, rooted in the past or looking toward the future. What results from our pursuit are faucets and fixtures with refined design and unique provenance that elevate kitchens and baths to authentic luxury.

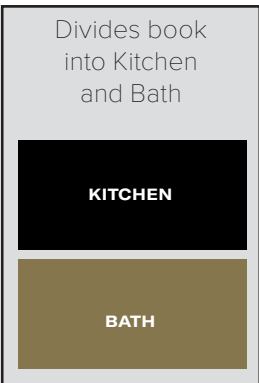
 @HouseofRohl  @houseofrohl  @HouseofRohl  @House of Rohl  @House of Rohl



# QUICK REFERENCE INDEX AND TAB GUIDE

Bank 1	Bank 2	Bank 3	Bank 4
<b>SINKS</b>	<b>KITCHEN</b>	<b>BATH</b>	<b>BATH</b>
<b>2021 UPDATES</b> Pg. B1	<b>ACQUI</b> Pg. 31	<b>TENERIFE</b> Pg. 141	<b>SAN GIOVANNI</b> Pg. 293
<b>ALLIA FIRECLAY SINKS</b> Pg. 1	<b>CAMPO</b> Pg. 41	<b>TUARIO</b> Pg. 149	<b>SORIANO</b> Pg. 303
<b>STAINLESS STEEL SINKS</b> Pg. 9	<b>CINQUANTA</b> Pg. 49	<b>ACQUI</b> Pg. 157	<b>TENERIFE</b> Pg. 311
	<b>ECLISSI</b> Pg. 57	<b>ARCANA</b> Pg. 173	<b>VERONA</b> Pg. 325
	<b>GOTHAM</b> Pg. 67	<b>BELLIA</b> Pg. 184	<b>VIAGGIO</b> Pg. 335
	<b>GRACELINE</b> Pg. 75	<b>CAMPO</b> Pg. 199	<b>VINCENT</b> Pg. 349
	<b>LOMBARDIA</b> Pg. 83	<b>ECLISSI</b> Pg. 209	<b>WAVE</b> Pg. 359
	<b>LUX</b> Pg. 91	<b>GRACELINE</b> Pg. 221	<b>LAVATORY DRAINS</b> Pg. 371
	<b>MYRINA</b> Pg. 101	<b>LOMBARDIA</b> Pg. 233	<b>ROUGH-IN VALVES</b> Pg. 375
	<b>PATRIZIA</b> Pg. 109	<b>MEDA</b> Pg. 245	<b>SHOWER</b> Pg. 383
	<b>PIRELLONE</b> Pg. 117	<b>MISCELO</b> Pg. 257	<b>CARE &amp; MAINTENANCE</b> Pg. 428
	<b>QUARTILE</b> Pg. 125	<b>PALLADIAN</b> Pg. 269	<b>TERMS</b> Pg. 430

Collections are listed alphabetically.



COLLECTION  
COLLECTION  
COLLECTION  
COLLECTION  
COLLECTION  
COLLECTION  
COLLECTION  
COLLECTION  
COLLECTION

PART #	PAGE	PART #	PAGE	PART #	PAGE	PART #	PAGE
9.28385	419	1151/8	401	A1680	34	A4964	164, 341
733	7, 21	1272E	413	A1803	274	A6881	277
735	7, 21	1273N	413	A1808	272	A6885	277
736	7, 21	1300E	407	A1901	273	A6886/18	276
738	7, 21	1301E	407	A1904	272	A6886/24	276
743	8, 22	1410/16	396	A1908	272	A6886/30	276
744	8, 22	1440/6	392	A1910	274	A6892	277
1120	396	1440/8	394	A2010N	353	A8073	403
1200	403	1442/6	394	A2108	338	A8074	403
1201	404	1455/12	394	A2202	238	A8800	272
1210	406	1455/20	396	A2203	238, 262	AC102	176
1230	404	1475/12	395	A2203IW	203	AC107	176
1250	412	150127SA	318, 395	A2207	237	AC110	178
1251	411	1505/12	398	A2208	236	AC195	179
1252	410	1505/24	398	A2210	238	AC210N	178
1260	410	1505/3	397	A2210i	203	AC24	178
1261	411	1505/6	397	A2214	236	AC262	176
1262	412	1510/3	397	A2218	237	AC390	179
1265	410	1510/6	397	A2224	237	AC7	177
1266	411	16295/79	420	A2228	236	AC720	179
1267	412	310127SB	318, 406	A2302	297	AC95	176
1270	413	40126HS1	318, 400	A2303	297	ACKIT7383	177
1271	413	402HS5	227, 402	A2307	296	AG600	29, 38, 47, 55, 66, 73, 81, 89, 99, 108, 116, 124, 131, 140, 148, 156, 29, 39, 47, 56, 73, 81, 90, 116, 124, 132, 140, 148
1277	410	50126HS3	318, 402	A2310	297	AG700	161, 338
1278	411	50126MF3	317, 392	A2314	296	AKIT1401N	35, 52
1279	412	5927SH	319, 420	A2328	296	AKIT1435	26, 112, 136
1282	412	70127SA	317, 393	A2410N	163, 340	AKIT1635	273
1295	414	8100/303	20	A2707	328	AKIT1901N	237
1310	407	8151/000	21	A2764	328	AKIT2202N	237
1311	407	8159/101	20	A2910N	274	AKIT2302N	296
1330	407	8644/100	18	A2912	329	AKIT3001N	352
1340	409	8644/101	20	A2914	329	AKIT3302N	203
1366	413	A00045/175	420	A2964	329	AKIT8073	298, 406
1367	414	A1003	352	A3002	352	AKIT8074	406
1560	164, 275, 341	A1004	352	A3210N	239	AL3220AF1	5
1600	408	A1008	352	A3210Ni	204	AL3620AF1	6
1628	409	A1010	353	A3302i	203	ARO0380	162, 177, 273, 339 329
1630	416	A1208	236	A3307	202	ARB1410	329
1650	405	A1264	236	A3310N	297	ARB2410N	28, 38, 47, 55, 65, 72, 80, 89, 98, 107, 115, 123, 130, 139, 147, 155 29, 38, 48, 55, 65, 72, 81, 89, 98, 107, 115, 123, 130, 139, 147, 156
1660	417	A1401	162, 339	A3314	202	AS425	72, 81, 89, 98, 107, 115, 123, 130, 139, 147, 156
1690	414	A1404	161	A3318	202	AS450	29, 38, 48, 55, 66, 72, 81, 89, 98, 107, 115, 124, 130, 139, 147, 156
1795	416	A1408	338	A3358ILWS	44	AS525	81, 89, 98, 107, 115, 124, 130, 139, 147, 156
5445	372	A1409	160	A3358IWWS	44	AS550	29, 38, 48, 55, 66, 73, 81, 89, 98, 108, 115, 124, 130, 139, 147, 156
5447	372	A1410	163, 340	A3420	112	B00102	402
5927	4	A1418	160	A3420S	112	B00151	400
6307	4	A1419	160	A3430	86	B00188	401
6337	6	A1423	161	A3430S	86	B0314	401
6347	4	A1435	35, 52	A3431	44	B0315	400
6442	372	A1445	37, 54, 114, 138	A3608/11WS	35	B204	399
6497	5	A1451	37, 54, 114, 138	A3608WS	35	B240NH50	401
7444	373	A1456	34	A3650/6.5	52	B240NSH	390
8446	373	A1456WS	34	A3650WS	52	BE100	194
16295	420	A1458WS	34	A3672	160	BE101	194
24960	419	A1461WS	136	A3702i	202	BE102	195
24995	419	A1464	338	A40/1	420	BE106	190
33640	415	A1480	167, 344	A4012	353	BE110	191
0126BS1	319, 419	A1481C	168	A4014	353	BE170	194, 415
0126SBHS1	318, 409	A1481IW	205	A4064	353	BE195	192
0127DOF	372	A1481LI	299	A4212	239	BE210N	191
0127WO	319, 415	A1484IW	204	A4214	239	BE24	191
0180SD	146	A1484LI	298	A4264	239	BE26	190
100126RS1	317, 386	A1485IW	205	A4464	204	BE303	193, 417
1005N	379	A1485LI	299	A4564	298	BE354	190
1027/8	384	A1486C	167	A4812	276	BE364	194, 417
1037/8	385	A1486IW	205	A4814	275		
1047/8	387	A1486LI	298	A4817	275		
1070/8	388	A1487	166, 343	A4864	275		
1075/8	385	A1489IW	205	A4912	164, 341		
1079/8	387	A1489LI	299	A4912i	204		
1085/8	390	A1492C	167	A4912LH	276		
1095/8	418	A1492IW	205	A4914	164, 341		
1100/8E	399	A1492LI	299	A4914i	204		
1101/8E	399	A1493	167, 344	A4914H	275		
1120/12	394	A1667	136	A4917	164, 341		
1130E	400	A1676WS	136	A4923	297		
1150/8	401	A1679WS	34	A4924	298		

PART #	PAGE	PART #	PAGE	PART #	PAGE	PART #	PAGE
BE390	192	EC10W1	215	MB2009	224	R7514S	26
BE400	195	EC11W1	216	MB2010	227, 393	R7515	94
BE420	191	EC12W2	216	MB2019	224	R7515S	94
BE51	190	EC13W1	216	MB2030	224	R7517	44, 63, 86, 95, 104, 121, 128, 144, 153
BE710	195	EC16W1	214	MB2037	224	R7519	95
BE720	192	EC17W1	215	MB2040N	226	R7520	95
BEKIT12110	193, 408	EC18W2	216	MB2042	226	R7521	95
BI00042	389	EC25WRH	217	MB2043	225	R7581	94
BI00059	391	EC25WTB18	216	MB2044N	225	R7581S	94
BI00701	384	EC25WTB24	217	MB2045	225	R7583	26
C1703	328	EC25WTH	217	MB2046	227, 408	R77V3	26
C21000	416	EC25WTP	217	MB2048	226	R7903	26
C2503	163, 340	EC55D1	62	MB2051	226	R7923	94
C494	417	EC56D1	62	MB2090	226	R83	380
C50000	416	EC60D1	62	MB3549	227, 396	RCT-1	378
C50000/1	417	EC65D1	62	MB3551	228, 398	RDD-2	378
C5056.2	393	EC81	62	MB7917	70, 78	RGK3016	17
C5574EXT	162, 273, 339	G1445	36, 53, 113	MB7927	70	RGKKIT3016	17
C7135	398	G1655	113, 137	MB7928	70	RH360	381
C72	251, 364, 402	G7545	27, 45, 63, 87, 96, 105, 121, 129, 145, 154	MB7930	78	RKIT7517	45, 63, 86, 95, 105, 121, 128, 144, 153, 165, 342
CB3387	22	GKIT1445	36, 53, 113	MB7930S	78	ROT1/18	342
CC2310FWO	372	GKIT1655	113, 137	MB7945	71, 79	ROT1/24	165, 342
CD8000	416	GKIT7545	27, 45, 64, 87, 96, 105, 122, 129, 145, 154	MB7956	78	ROT1/30	165, 342
CIS1/18	179, 330	H08000	393	MB7960	78	ROT10	167, 344
CIS1/24	179, 330	HRF-1000	27, 35, 45, 52, 63, 70, 79, 86, 96, 105, 112, 121, 128, 136, 145, 153	MBG1/18	228	ROT18	166, 343
CIS1/30	180, 330	HRF-2000	27, 36, 45, 53, 63, 71, 79, 87, 96, 105, 112, 121, 129, 137, 145, 153	MBG1/24	228	ROT19	165, 342
CIS10	181, 331	I00124	418	MBG1/30	228	ROT4	166, 343
CIS18	180, 330	I00131	389	MBG7	229	ROT7	166, 343
CIS4	180, 331	I00180	392	MBG8	228	ROT7D	166, 343
CIS7	180, 331	I00218	390	MBKIT7917	70, 79	ROT8	165, 342
CIS7D	181, 331	I00405	385	MBKIT7945	71, 79	RSA3018	19
CIS8	180, 330	I00410	386	MI01D1	261	RSS1318	12
CNZREMOTE	373	I00412	386	MI01W2	261	RSS1515	12
CP56D1	44	I00597	249, 388	MI02D1	261	RSS1718	12
CU102	284	I00598	389	MI05D5	262	RSS2115	13
CU110	286	L0095	403	MI05F1	262	RSS2416	13
CU195	287	L0095KIT1	403	MI09D3	261	RSS2418	14
CU210N	286	LO1/18	239, 251	MI10W1	262	RSS2716	14
CU24	285	LO1/24	240, 251	MI11W1	263	RSS3016	14
CU51	284	LO1/30	240, 251	MI12W2	263	RSS3018	15
CU57	128	LO4	240, 252	MI13W1	263	RSS3118	16
CU253	128	LO7	240, 252	MI18W1	263	RSS3318	15
CU351	285	LO8	240, 251	MI25WRH	264	RSS3518	16
CU354	284	LS2150	47, 65, 88, 97, 107, 123, 130, 147, 155	MI25WTB18	263	RSS3618	16
CU390	286	LS3550	72, 80	MI25WTB24	264	RT8000	163, 178, 328, 340
CU720	286	LS450	28, 47, 65, 88, 97, 106, 123, 130, 139, 146, 155, 120	MI25WTH	264	RUW3616SB	19
CUC49	284	LS53	155, 120	MI25WTP	264	RUW4916SB	18
CUC102	285	LS57	120	MY55D1	104	RUWKIT36161	20
CUKIT2123	285	LS64	120	MY56D1	104	RUWKIT36162	20
CY57	120	LS650C	37, 54, 114, 138	MY61D1	104	RUWKIT49161	18
CY657	120	LS850P	37, 54, 115, 138	MY65D1	104	RUWKIT49162	19
D800	405	LS950C	28, 46, 65, 88, 98, 107, 123, 130, 155	N1987	273	SDABS2/3	423
D800/1N	408	LV102	248	QL66	46, 64, 88, 97, 106, 122, 130, 146, 155	SDCI2	423
D19000	406	LV110	250	QN25UM	7	SDCI2-3142	421
D19000/3	409	LV195	250	QU101	287, 365	SDCI2-3143	422
D63000	405	LV210N	250	QU102	287, 365	SDCI2-3144	422
D63003	408	LV24	249	QU103	287, 365	SDCI2-3146	422
D96001	409	LV351	248	QU220	288, 366	SDPVC2/3	423
DC3142	422	LV354	248	QU400	287, 365	SDPVC2/3-3142	421
DC3143	422	LV390	250	QU420	288, 365	SDPVC2/3-3143	421
DC3144	423	LV51	248	QU710	288, 366	SDPVC2/3-3144	421
DC3146	423	LV720	250	R1040R	379	SDPVC2/3-3146	421
DS014200	193, 399	LVKIT2111N	249	R1041R	379	SHC-1	30, 39, 48, 56, 66, 73, 90, 99, 108, 116, 124, 132, 140, 148, 156
DS015090	193, 418	M2287	238	R1051BV	378	SLM02	386
DSA12210	193, 405	MB0190	227, 391	R1052BD	378	SLM03	388
DSA13750	192, 395	MB06D4	225	R1053BD	378	SLM05	388
DSA16200	192, 386			R1055BD	379	SLM06	389
E824	415			R1062BO	379	SOF134	390
EC01D1	213			R20	381	SOF135	392
EC02D1	213			R23	380	SOF136	402
EC05D5	215			R45	380	SOR-09	306
EC06D5	214			R46	380	SOR-14	307
EC08D3	213			R51	380	SOR-16	306
EC08W3	213			R7514	26		
EC09D3	214						
EC09W3	215						

INDEX

2021 UPDATES

ALLIA FIRECLAY SINKS

STAINLESS STEEL SINKS

PART #	PAGE	PART #	PAGE	PART #	PAGE	PART #	PAGE
SOR-19	306	TTE20W1	317	U.5870	418	WI0196	385
SOR-30	308	TTE23W1	316	U.5882	393	WI0197	390
SOR-32	308	TTE44W1	316	U.5884	395	WSG5927	4
SOR-41	307, 387	TTE45W1	316	U.6702	373	WSG6307	5
SOR-42	307	TTE46W1	316	U.6907	410	WSG6327LG	6
SOR-43	307	TTE47W1	316	U.6911	411	WSG6327SM	6
SOR-7	309	TTE51W1	315	U.PRF1	28, 37, 46, 54, 64, 72, 80, 88, 97, 106, 114, 122, 130, 138, 146, 154	WSG6347	4
SOR-8	309	U.1106	28, 36, 46, 53, 64, 71, 80, 87, 97, 106, 114, 122, 129, 137, 146, 154	V00022	414	WSG6497	5
SOR1/12	308			V00222	415	WSGAL3220	5
SOR1/18	308			V00275	424	WSGAL3620	6
SOR1/24	308	U.1998	27, 36, 46, 53, 64, 71, 80, 87, 96, 106, 113, 122, 129, 137, 145, 154	VIN1/18	354	WSGRGK3016	17
SY300	241, 252, 288, 366			VIN1/24	354	WSGRSS1318	12, 17
T1587	161, 176, 328, 338			VIN1/30	354	WSGRSS1515	12
TE01D1	314	U.5135	384	VIN12	241, 252, 288, 355, 366	WSGRSS1718	13, 16, 17
TE02D1	314	U.5140	404	VIN1487	355	WSGRSS2115	13
TE08D3	314	U.5182	394	VIN4	354	WSGRSS2416	14
TE09D3	314	U.5184	396	VIN7	355	WSGRSS2716	14
TE16W1	315	U.5204	387	VIN8	354	WSGRSS3016	15
TE25WRH	320	U.5205	384	WA102	362	WSGRSS3018	15, 19
TE25WTB24	319	U.5235	385	WA111	363	WSGRSS3318	15
TE25WTH	320	U.5237	387	WA119	363, 389	WSGRSS3618	16
TE25WTP	319	U.5260	384	WA1319	363, 389	WSGRSS3618	16
TE55D1	144	U.5350	404	WA195	364	WSGRUW3616	19
TE56D1	144	U.5379	424	WA210N	363	WSGRUW4916LG	18
TE65D1	144	U.5384	395	WA24	363	WSGRUW4916SM	18
TE83W1	317	U.5388	397	WA26	362	ZA1038402	162, 177, 191, 203, 238, 274, 339
TEC06F1	214	U.5399	424	WA31	364	ZA109070	194, 419
TMB06F1	225	U.5408	388	WA390	364	ZA219	286
TR55D1	152	U.5535	405	WA652	362	ZA386	162, 178, 274, 340
TR56D1	153	U.5540	404	WA720	364	ZZ9314302/2	163, 177, 339
TR60D1	152	U.5546	414	WA721	363		
TR61D1	152	U.5570	418	WA751	362		
TR65D1	152	U.5800	391	WI0122	391		
TR66D1	152	U.5810	399	WI0123	391		
TTE01W2	315	U.5815	400	WI0195	392		
TTE06F1	315	U.5825	398				

# 2021 NEW PRODUCT HIGHLIGHTS

## NEW KITCHEN COLLECTIONS

### ECLISSI™



**EC65D1**  
page 62



**EC55D1**  
page 62



**EC60D1**  
page 62



**EC56D1**  
page 4

### MYRINA™



**MY65D1**  
page 104



**MY55D1**  
page 104



**MY61D1**  
page 104



**MY56D1**  
page 104

### TENERIFE™



**TE65D1**  
page 144



**TE55D1**  
page 144



**TE56D1**  
page 144

## KITCHEN LINE EXTENSIONS

### CAMPO™



**CP56D1**  
page 44

### GRACELINE®



**MB7956**  
page 78



**MB7960**  
page 78

# 2021 NEW PRODUCT HIGHLIGHTS

## NEW BATH COLLECTION

### TENERIFE™



**TTE08D3**  
page 314



**TTE09D3**  
page 314



**TE01D1**  
page 314



**TE02D1**  
page 314



**TTE01W2**  
page 315



**TTE06F1**  
page 315



**TTE51W1**  
page 315



**TTE23W1 or  
TTE44W1**  
page 316



**TTE46W1**  
page 316



**TE83W1**  
page 317



**TE25WTB24**  
page 319



**TE25WTH**  
page 320



**TE25WRH**  
page 320



**TE25WTP**  
page 319

## BATH LINE EXTENSIONS

### ECLISSI®



**EC16W1**  
page 214



**EC25WRH**  
page 217



**EC25WTB18**  
page 216



**EC25WTH**  
page 217



**EC25WTP**  
page 217

### GRACELINE®



**402HS5**  
page 227



**MB06D4**  
page 225



**TMB06F1**  
page 225

### MISCELO™



**MI25WRH**  
page 264



**MI25WTH**  
page 264



**WI25WTB18**  
page 263



**MI25WTP**  
page 264

## SHOWER EXTENSIONS



**100126RS1**  
page 386



**U.5235**  
page 385



**U.5237**  
page 387



**70127SA**  
page 393



**150127SA**  
page 395



**0126BS1**  
page 419



**0126SBHS1**  
page 409



**402HS5**  
page 402



**50126HS3**  
page 402



**40126HS1**  
page 400



**U.5825**  
page 398



**310127SB**  
page 406



**0127WO**  
page 415



**5927SH**  
page 420



# 2021 DISCONTINUATION HIGHLIGHTS

## CATEGORY DISCONTINUATIONS

ALL CARE & MAINTENANCE PRODUCTS



## KITCHEN DISCONTINUATIONS

ACQUI® KITCHEN



Five-Spoke Cross Handle (X)



A1459



A1461



A1676

Sidespray versions will remain active

## BATH DISCONTINUATIONS

ACQUI®



Crystal Cross Handle (XC)

ARCANA™



Ornate Metal Lever (L)

GRACELINE®



Satin Brass Finish STB

VIAGGIO®



Crystal Metal Lever (LC)



Crystal Cross Handle (XC)

DECK MOUNT BIDETS



QUICK REFERENCE

KITCHEN — SHOP BY PRICE OR STYLE

(Prices shown are for Polished Chrome)

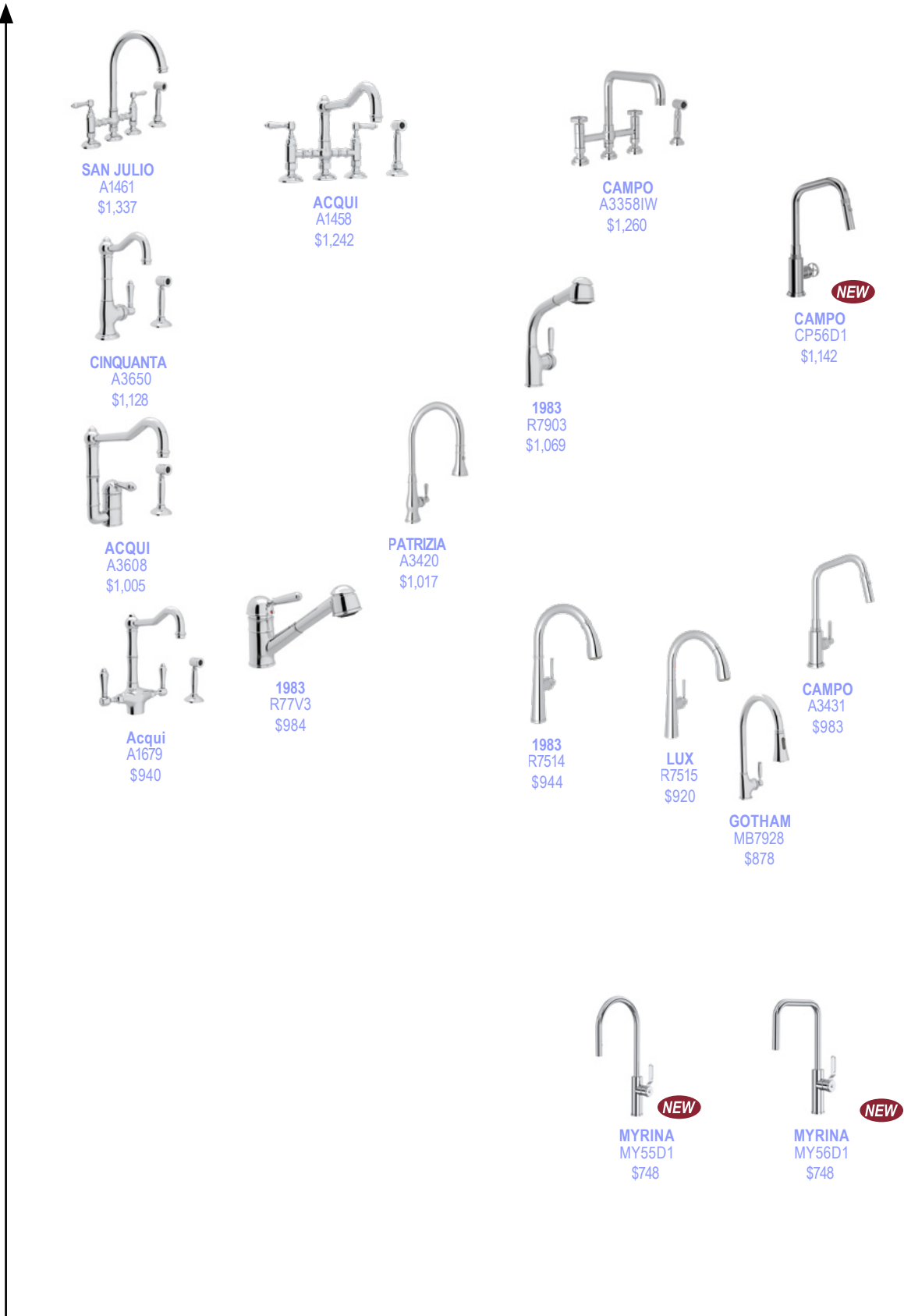
INDEX

2021 UPDATES

ALLIA FIRECLAY SINKS

STAINLESS STEEL SINKS

PRICE



TRADITIONAL

TRANSITIONAL

QUICK REFERENCE

KITCHEN — SHOP BY PRICE OR STYLE

(Prices shown are for Polished Chrome)

INDEX

2021 UPDATES

ALLIA FIRECLAY SINKS

STAINLESS STEEL SINKS



PIRELLONE  
LS57L  
\$1,711



PIRELLONE  
LS64  
\$2,223



LUX  
R7923  
\$1,069



LUX  
R7521  
\$1,028



LOMBARDIA  
A3430  
\$968



LUX  
R7581  
\$941



TENERIFE  
TE55D1  
\$898



TENERIFE  
TE56D1  
\$898



GRACELINE  
MB7930  
\$848



LUX  
R7520  
\$822



**NEW**  
ECLISSI  
EC55D1 (incl.  
Handle)  
\$798



**NEW**  
ECLISSI  
EC56D1 (incl.  
Handle)  
\$798



QUARTILE  
CU57L  
\$798



TUARIO  
TR55D1LB  
\$698



TUARIO  
TR56D1LB  
\$698



PIRELLONE  
CY57L  
\$634



PIRELLONE  
CY657L  
\$680



QUARTILE  
CU253L  
\$620

TRANSITIONAL

MODERN

QUICK REFERENCE

BATH — SHOP BY PRICE OR STYLE

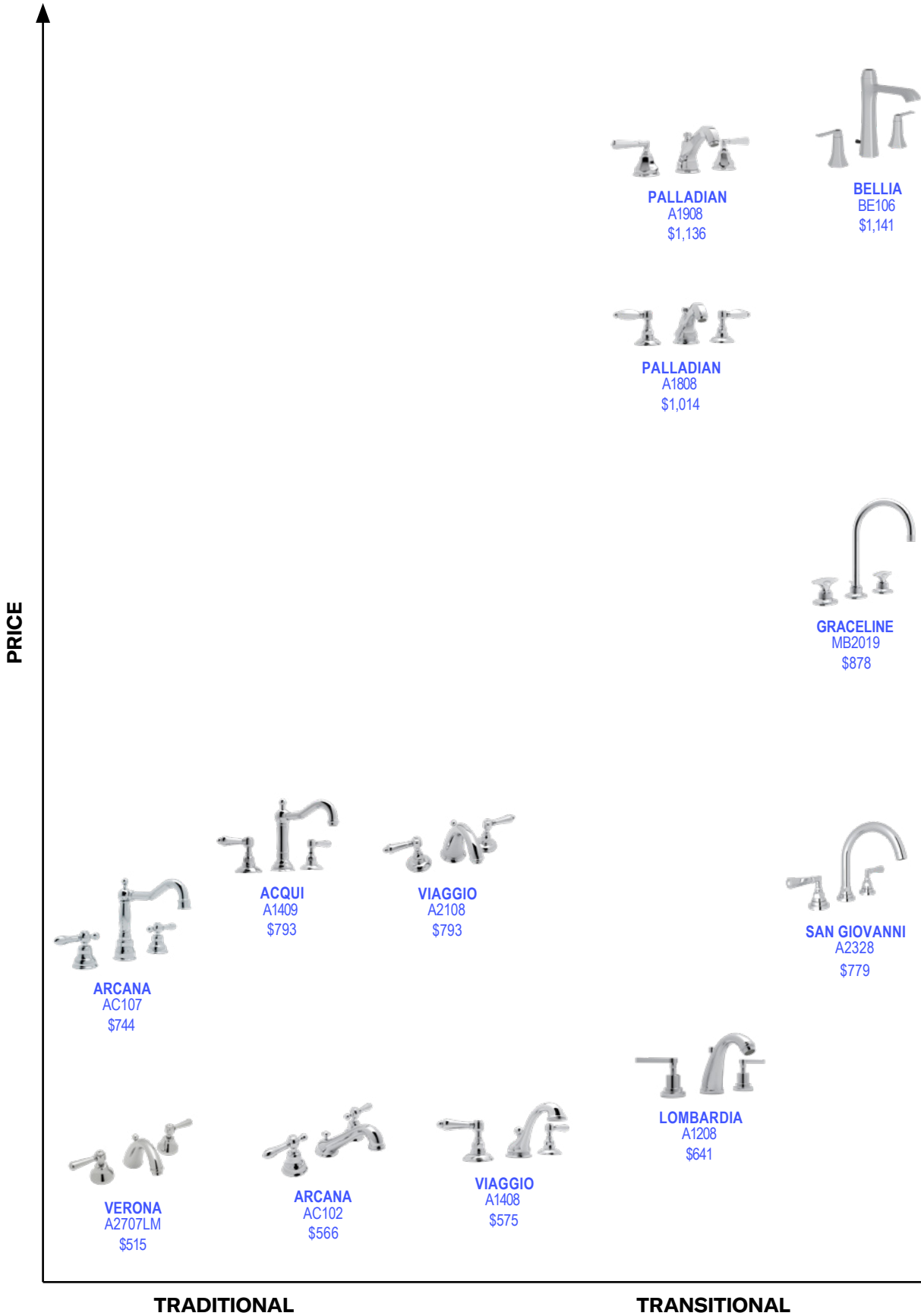
(Prices shown are for Polished Chrome)

INDEX

2021 UPDATES

ALLIA FIRECLAY SINKS

STAINLESS STEEL SINKS



QUICK REFERENCE

BATH — SHOP BY PRICE OR STYLE

(Prices shown are for Polished Chrome)

INDEX

2021 UPDATES

ALLIA FIRECLAY SINKS

STAINLESS STEEL SINKS



VINCENT  
A1008  
\$1,406



SORIANO  
SOR-09  
\$1,579



WAVE  
WA102  
\$1,621



QUARTILE  
CUC102  
\$1,025



GRACELINE  
MB2009  
\$914



MEDA  
LV102  
\$910



CAMPO  
A3318  
\$843



MISCELO  
MI09D3  
\$878



QUARTILE  
CU102  
\$874



LOMBARDIA  
A2208  
\$793



LOMBARDIA  
A2228  
\$793



LOMBARDIA  
A2218  
\$797



ECLISSI  
EC09D3  
\$778



TENERIFE  
TE09D3  
\$698

NEW



TENERIFE  
TE08D3  
\$698

NEW



ECLISSI  
EC08D3  
\$678

MODERN


# COLLECTION FINISH GUIDE

INDEX

2021 UPDATES

ALLIA FIRECLAY SINKS






















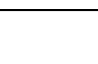
STAINLESS STEEL SINKS

COLLECTIONS																
	APC (L)	PN (L)	STN (L)	MB (1)	AG (1)	FB (2)	GM (1)	IB (1)	RG (L)	SB (L)	SG (1)	SS (L)	SUB (2)	TCB (2)	ULB (2)	
1983	●	●	●	●					●*			●*				
ACQUI®	●	●	●					●						●		
CAMPO™	●	●	●	●				●						●	●	
CINQUANTA™	●	●	●					●						●		
ECLISSI™	●	●	●	●												
GOTHAM™	●	●	●													
GRACELINE®	●	●	●	●							●*					
LOMBARDIA®	●	●	●	●				●						●	●	
LUX™	●	●*	●	●*					●*			●*				
MYRINA™	●	●	●	●							●					
PATRIZIA™	●	●	●	●				●						●	●	
PIRELLONE™	●	●	●	●												
QUARTILE™	●	●	●	●												
SAN JULIO®	●	●	●					●						●		
TENERIFE™	●	●	●	●	●											
TUARIO™	●	●	●	●							●					
ACQUI®	●	●	●					●						●	●*	
ARCANA™	●	●	●					●						●		
BELLIA™	●	●	●					●								
CAMPO™	●	●	●	●								●*		●*		
ECLISSI™	●		●	●							●					
GRACELINE®	●	●	●	●		●	●				●					
LOMBARDIA®	●	●	●	●										●	●*	
MEDA™	●	●	●													
MISCELO™	●		●	●												
PALLADIAN®	●	●	●					●					●	●*		
QUARTILE™	●	●	●													
SAN GIOVANNI™	●	●	●											●		
SORIANO™										●						
TENERIFE™	●	●	●	●	●											
VERONA™	●	●	●					●								
VIAGGIO™	●	●	●					●						●	●*	
VINCENT™	●	●	●													
WAVE™	●		●													
<b>ROHL®</b>	POLISHED CHROME	POLISHED NICKEL	SATIN NICKEL	MATTE BLACK	ANTIQUE GOLD	FRENCH BRASS	GUN METAL	ITALIAN BRASS	ROSE GOLD	BRUSHED STAINLESS STEEL	SATIN GOLD	STAINLESS STEEL	SATIN UNLACQUERED BRASS	TUSCAN BRASS®	UNLACQUERED BRASS	

(L) = Limited Lifetime Warranty | (1) = 5 Year Limited Warranty (2) = No Express Warranty | \* = Only Available on Select Product

**Additional Notes:**  
 GRACELINE® Kitchen – Split Finish Available.  
 ECLISSI® Kitchen and Bath – Split Finish Available.  
 TUARIO™ Bath – Split Finish Available.  
 MISCELO™ Bath – Split Finish Available.

# SHOWERHEAD FINISH GUIDE

SHOWERHEADS		APC (L)	PN (L)	STN (L)	MB (1)	AG (1)	FB (2)	GM (1)	IB (1)	RG (L)	SB (L)	SG (1)	SS (L)	SUB (2)	TCB (2)	ULB (2)
	100126RS1	•	•	•	•	•										
	1027/8	•	•	•					•						•	•
	1037/8	•	•	•	•				•					•	•	•
	1047/8	•	•	•					•					•	•	•
	1070/8	•	•	•												
	1075/8	•	•	•	•		•	•	•			•		•	•	•
	1079/8	•	•	•	•				•						•	•
	1085/8	•	•	•					•					•	•	•
	50126MF3	•	•	•	•	•										
	B240NSH	•	•	•											•	
	BI00042	•	•	•	•										•	•
	BI00059	•	•	•	•										•	•
	BI00701	•	•	•	•							•			•	•
	DSA16200	•	•	•						•						
	I00131	•	•	•	•										•	
	I00180	•	•	•	•										•	
	I00218	•	•	•												
	I00405	•	•	•	•				•			•			•	
	I00410	•	•	•	•				•			•			•	
	I00412	•	•	•	•										•	
	I00597	•	•	•												
	I00598	•	•	•								•				

INDEX

2021 UPDATES

ALLIA FIRECLAY SINKS

STAINLESS STEEL SINKS



















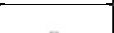
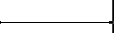




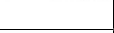



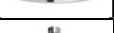




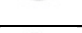



# SHOWERHEAD FINISH GUIDE

INDEX

2021 UPDATES












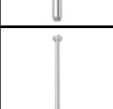


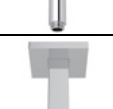
ALLIA FIRECLAY SINKS

STAINLESS STEEL SINKS

SHOWERHEADS																
	MB0190	•	•	•	•		•	•				•				
	SLM02	•	•	•	•											
	SLM03	•	•	•	•											
	SLM05	•	•	•	•				•							
	SLM06	•	•	•	•											
	SOF134	•	•	•												
	SOF135	•	•	•												
	SOR-41										•					
	U.5135	•	•	•												•
	U.5204	•	•	•												•
	U.5205	•	•	•												•
	U.5235	•	•	•												•
	U.5237	•	•	•												•
	U.5260	•	•	•												
	U.5408	•	•	•												
	U.5800	•	•	•												
	WA1319	•		•												
	WI0122	•	•	•											•	•
	WI0123	•	•	•							•				•	
	WI0195	•	•	•	•											
	WI0196	•	•	•	•										•	
	WI0197	•	•	•	•										•	



# SHOWER ARM FINISH GUIDE

SHOWER ARMS		APC (L)	PN (L)	STN (L)	MB (1)	AG (1)	FB (2)	GM (1)	IB (1)	RG (L)	SB (L)	SG (1)	SS (L)	SUB (2)	TCB (2)	ULB (2)
	1120	•	•	•	•							•			•	•
	1120/12	•	•	•	•							•			•	•
	1410/16	•	•	•											•	
	1440/6	•	•	•	•				•					•	•	•
	1440/8	•	•	•	•				•						•	•
	1442/6	•	•	•											•	
	1455/12	•	•	•					•						•	•
	1455/20	•	•	•	•				•					•	•	•
	1475/12	•	•	•					•						•	•
	150127SA	•	•	•	•	•										
	1505/12	•	•	•	•				•	•					•	•
	1505/24	•	•	•					•						•	•
	1505/3	•	•	•	•				•						•	•
	1505/6	•	•	•	•				•					•	•	•
	1510/3	•	•	•	•											

INDEX

2021 UPDATES

ALLIA FIRECLAY SINKS

STAINLESS STEEL SINKS






























# SHOWER ARM FINISH GUIDE

INDEX






















2021 UPDATES

ALLIA FIRECLAY SINKS

STAINLESS STEEL SINKS

SHOWER ARMS		 APC (L)	 PN (L)	 STN (L)	 MB (1)	 AG (1)	 FB (2)	 GM (1)	 IB (1)	 RG (L)	 SB (L)	 SG (1)	 SS (L)	 SUB (2)	 TCB (2)	 ULB (2)	
	1510/6	•	•	•													
	70127SA	•	•	•	•	•											
	C5056.2	•	•	•	•				•							•	
	DSA13750	•	•	•						•							
	H08000	•	•	•								•				•	
	MB2010	•	•	•				•									
	MB3549				•		•	•				•					
	MB3551				•		•	•				•					
	U.5182	•	•	•													
	U.5184	•	•	•													•
	U.5384	•	•	•													•
	U.5388	•	•	•													•
	U.5882	•	•	•													•
	U.5884	•	•	•													

# HANDSHOWER FINISH GUIDE

HANDSHOWERS		APC (L)	PN (L)	STN (L)	MB (1)	AG (1)	FB (2)	GM (1)	IB (1)	RG (L)	SB (L)	SG (1)	SS (L)	SUB (2)	TCB (2)	ULB (2)
	1100/8E	•	•	•					•						•	
	1101/8E	•	•	•	•				•					•	•	•
	1130E	•	•	•	•		•	•	•			•		•	•	
	1150/8	•	•	•					•						•	
	1151/8	•	•	•					•						•	•
	40126HS1	•	•	•	•	•										
	402HS5	•	•	•	•		•	•				•				•
	50126HS3	•	•	•	•	•										
	B00102	•	•	•	•							•			•	
	B00151	•	•	•	•							•			•	
	B00188	•	•	•								•				
	B0314	•	•	•	•							•			•	
	B0315	•	•	•	•							•			•	
	B204	•	•	•											•	
	B240NHSO	•	•	•											•	
	C7135	•	•	•	•				•						•	•
	DS014200	•	•	•						•						
	SOF136	•	•	•												
	U.5810	•	•	•												
	<a href="#">U.5815</a>	•	•	•												
	U.5825	•	•	•												•

INDEX

2021 UPDATES

ALLIA FIRECLAY SINKS

STAINLESS STEEL SINKS

















# SLIDE BAR FINISH GUIDE

INDEX



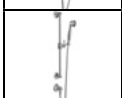
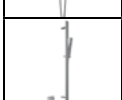
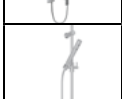


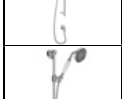


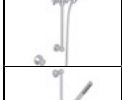






2021 UPDATES

ALLIA FIRECLAY SINKS

STAINLESS STEEL SINKS

SLIDE BARS	APC (L)	PN (L)	STN (L)	MB (1)	AG (1)	FB (2)	GM (1)	IB (1)	RG (L)	SB (L)	SG (1)	SS (L)	SUB (2)	TCB (2)	ULB (2)
 1200	•	•	•					•						•	
 1201	•	•	•					•					•	•	•
 1210	•	•	•	•											
 1230	•	•	•					•					•	•	•
 1650	•	•	•	•				•					•	•	•
 310127SB	•	•	•	•	•										
 A8073	•	•	•										•	•	
 A8074	•	•	•	•									•	•	
 D19000	•	•	•											•	
 D63000	•	•	•	•							•			•	
 D800	•	•	•	•										•	
 DSA12210	•	•	•						•						
 U.5140	•	•	•												•
 U.5350	•	•	•												
 U.5535	•	•	•												•
 U.5540	•	•	•												•

# HANDSHOWER SETS FINISH GUIDE

HANDSHOWER SETS		APC (L)	PN (L)	STN (L)	MB (1)	AG (1)	FB (2)	GM (1)	IB (1)	RG (L)	SB (L)	SG (1)	SS (L)	SUB (2)	TCB (2)	ULB (2)
	1310	•	•	•					•						•	
	1311	•	•	•					•						•	•
	1330	•	•	•					•					•	•	•
	1340	•	•	•											•	
	1600	•	•	•	•											
	1628	•	•	•												
	0126SBHS1	•	•	•	•	•										
	1300E	•	•	•					•						•	
	1301E	•	•	•					•					•	•	•
	AKIT8073	•	•	•										•	•	
	AKIT8074	•	•	•	•									•	•	
	BEKIT12110	•	•	•						•						
	D19000/3	•	•	•											•	
	D63003	•	•	•											•	
	D800/1N	•	•	•											•	
	D96001	•	•	•											•	
	MB2046	•	•	•	•		•	•				•				

INDEX

2021 UPDATES

ALLIA FIRECLAY SINKS

STAINLESS STEEL SINKS

# HANDSHOWER OUTLETS FINISH GUIDE

INDEX
























2021 UPDATES

ALLIA FIRECLAY SINKS

STAINLESS STEEL SINKS

HANDSHOWER OUTLETS		APC (L)	PN (L)	STN (L)	MB (1)	AG (1)	FB (2)	GM (1)	IB (1)	RG (L)	SB (L)	SG (1)	SS (L)	SUB (2)	TCB (2)	ULB (2)
	1295	•	•	•					•					•	•	•
	1630	•	•	•	•				•						•	•
	1660	•	•	•	•				•					•		•
	1690	•	•	•	•				•					•		•
	1795	•	•	•	•										•	
	33640	•	•	•	•									•	•	•
	0127WO	•	•	•	•	•										
	BE170	•	•	•						•						
	BE303	•	•	•						•						
	BE364	•	•	•						•						
	C21000	•	•	•											•	
	C494	•	•	•											•	
	C50000	•	•	•											•	
	C50000/1	•	•	•											•	
	CD8000	•	•	•	•							•			•	
	E824	•	•	•											•	
	U.5546	•	•	•												•
	V00022	•	•	•								•			•	
	V00222	•	•	•								•			•	

# BODY SPRAYS FINISH GUIDE

BODY SPRAYS		 APC (L)	 PN (L)	 STN (L)	 MB (1)	 AG (1)	 FB (2)	 GM (1)	 IB (1)	 RG (L)	 SB (L)	 SG (1)	 SS (L)	 SUB (2)	 TCB (2)	 ULB (2)
	24960	•	•	•												
	24995	•	•	•												
	0126BS1	•	•	•	•	•										
	1095/8	•	•	•	•				•						•	•
	DS015090	•	•	•						•						
	100124	•	•	•	•										•	
	U.5570	•	•	•												•
	U.5870	•	•	•												

INDEX

2021 UPDATES

ALLIA FIRECLAY SINKS

STAINLESS STEEL SINKS





# ALLIA™ FIRECLAY SINKS

Since 1892, Allia™ fine fireclay sinks have been crafted in Limoges, the region celebrated for exemplary porcelain. It is in this part of France where clay is remarkably durable and richly lustrous. Each Allia sink is covered with a thick layer of luminous glaze, which fuses with the clay to provide an extremely strong surface combined with a resplendent sheen. Impervious to stains and chips, Allia sinks are as easy to maintain as they are beautiful to behold. Our range of shapes and styles give pure functionality a high-gloss tone.



AL3220AF1

#### Available Finishes:



White  
00



Pergame  
68



Matte Black  
63

See product page for available finishes



00



63



68

BAR/FOOD PREP



5927  
page 4



6347  
page 4



6307  
page 4



6497  
page 5

MAIN KITCHEN SINKS



AL3220AF1  
page 5



AL3620AF1  
page 6



6337  
page 6

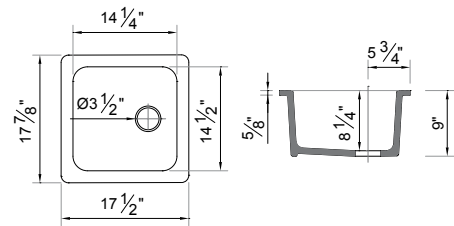


INDEX

2021 UPDATES

ALLIA FIRECLAY SINKS

STAINLESS STEEL SINKS

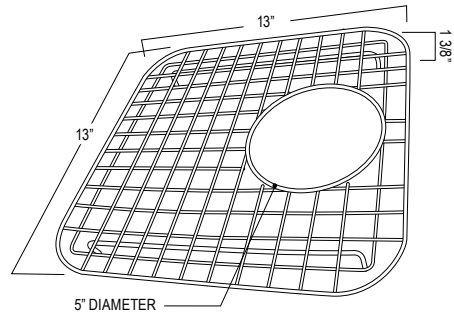


**5927 Allia™ 18" Fireclay Single Bowl Bar/Food Prep Kitchen Sink**



Suggested Retail Price			
	00	63	68
5927- _ _	779	1086	846

- 21" minimum cabinet size
- Includes "ALLIA PARIS" badge
- Due to ±2% dimensions, it is recommended that the cabinet construction is finalized upon receipt of the sink
- QN25UM Undermount Kit available
- For matching wire sink grid, order WSG5927

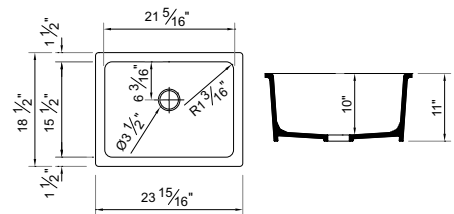


**WSG5927 Wire Sink Grid For 5927 Bar/Food Prep Kitchen Sink**



Suggested Retail Price			
	SS	WH	BS
WSG5927 _ _	227	227	227

- Biscuit (BS) finish coordinates with Allia Fireclay Pergame sinks. Stainless Steel (SS) and White (WH) finishes also available.
- Minimizes scratches and wear on the bottom of the sink by creating a raised working surface

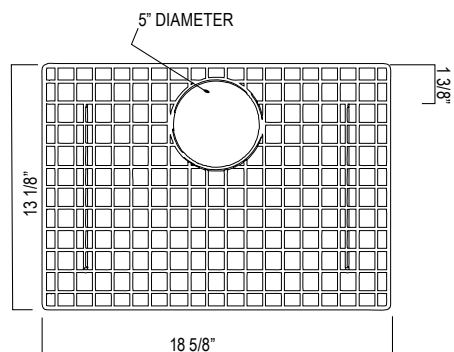


**6347 Allia™ 24" Fireclay Single Bowl Undermount Kitchen Or Laundry Sink**

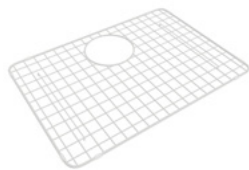


Suggested Retail Price			
	00	63	68
6347- _ _	966	1373	1113

- 27" minimum cabinet size
- Includes "ALLIA PARIS" badge
- Due to ±2% dimensions, it is recommended that the cabinet construction is finalized upon receipt of the sink
- QN25UM Undermount Kit available
- For matching wire sink grid, order WSG6347

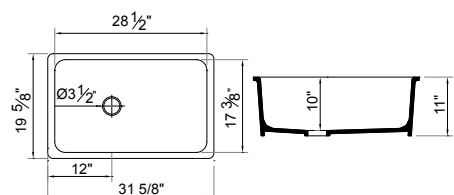


**WSG6347 Wire Sink Grid For 6347 Kitchen Or Laundry Sink**



Suggested Retail Price			
	SS	WH	BS
WSG6347 _ _	279	279	279

- Biscuit (BS) finish coordinates with Allia Fireclay Pergame sinks. Stainless Steel (SS) and White (WH) finishes also available.
- Minimizes scratches and wear on the bottom of the sink by creating a raised working surface

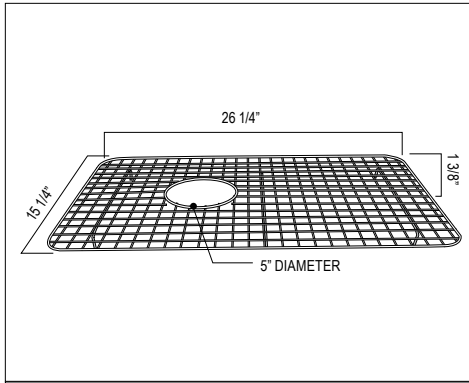


**6307 Allia™ 32" Fireclay Single Bowl Undermount Kitchen Sink**



Suggested Retail Price			
	00	63	68
6307- _ _	1013	1392	1164

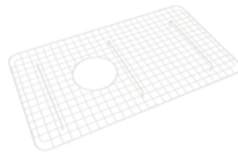
- 33" minimum cabinet size
- Includes "ALLIA PARIS" badge
- Due to ±2% dimensions, it is recommended that the cabinet construction is finalized upon receipt of the sink
- QN25UM Undermount Kit available
- For matching wire sink grid, order WSG6307



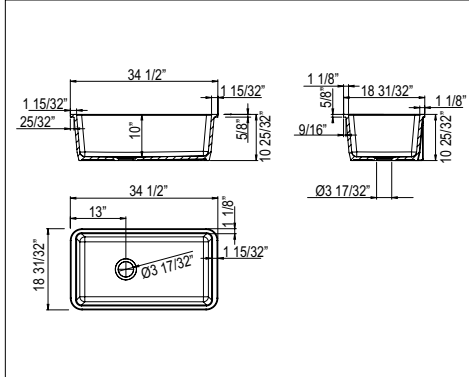
**WSG6307** Wire Sink Grid For 6307 Kitchen Sink

Suggested Retail Price

	SS	WH	BS
WSG6307	253	253	253



- Biscuit (BS) finish coordinates with Allia Fireclay Pergame sinks. Stainless Steel (SS) and White (WH) finishes also available.
- Minimizes scratches and wear on the bottom of the sink by creating a raised working surface



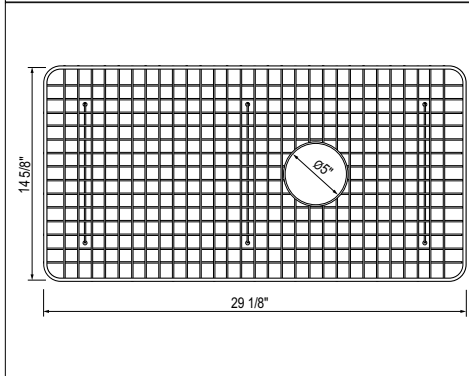
**6497** Allia™ 34" Fireclay Single Bowl Undermount Kitchen Sink

Suggested Retail Price

	00	63	68
6497-	1030	1133	1133



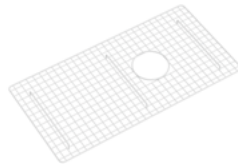
- 36" minimum cabinet size
- Includes "ALLIA PARIS" badge
- Due to ±2% dimensions, it is recommended that the cabinet construction is finalized upon receipt of the sink
- QN25UM Undermount Kit available
- For matching wire sink grid, order WSG6497



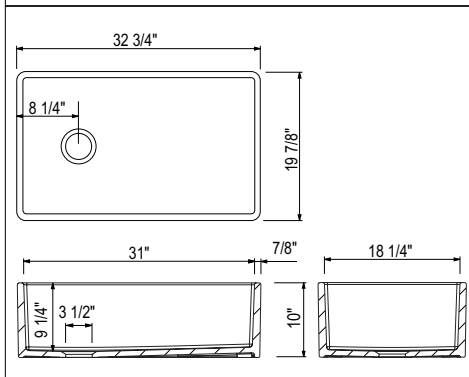
**WSG6497** Wire Sink Grid For 6497 Kitchen Sink

Suggested Retail Price

	SS	WH	BS
WSG6497	283	283	283



- Biscuit (BS) finish coordinates with Allia Fireclay Pergame sinks. Stainless Steel (SS) and White (WH) finishes also available.
- Minimizes scratches and wear on the bottom of the sink by creating a raised working surface



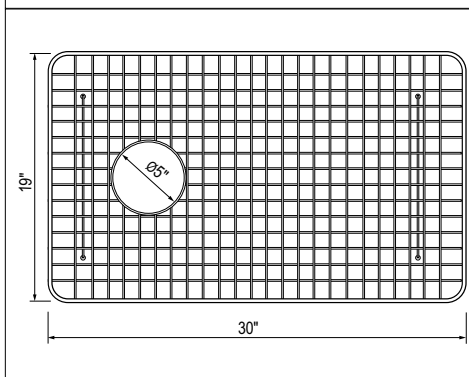
**AL3220AF1** Allia™ 32" Fireclay Single Bowl Apron Front Kitchen Sink

Suggested Retail Price

	00	63	68
AL3220AF1	1298	1493	1428



- Reversible install
- Includes "ROHL" badge
- Due to ±1% dimensions, it is recommended that the cabinet construction is finalized upon receipt of the sink
- 36" minimum cabinet size
- For matching wire sink grid, order WSGAL3220



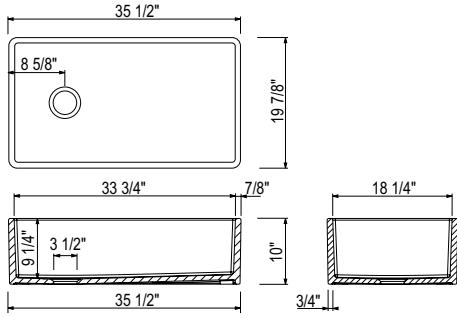
**WSGAL3220** Wire Sink Grid for AL3220AF Kitchen Sink

Suggested Retail Price

	SS	WH	BS
WSGAL3220	266	266	266



- Biscuit (BS) finish coordinates with Allia Fireclay Pergame sinks. Stainless Steel (SS) and White (WH) finishes also available.
- Minimizes scratches and wear on the bottom of the sink by creating a raised working surface



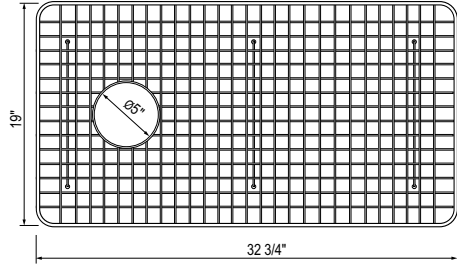
**AL3620AF1 Allia™ 36" Fireclay Single Bowl Apron Front Kitchen Sink**



- Reversible install
- Includes "ROHL" badge
- Due to ±1% dimensions, it is recommended that the cabinet construction is finalized upon receipt of the sink
- 39" minimum cabinet size
- For matching wire sink grid, order WSGAL3620

Suggested Retail Price			
	00	63	68
AL3620AF1 _ _	1398	1608	1538

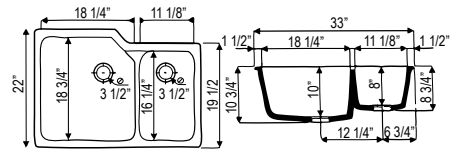
**WSGAL3620 Wire Sink Grid for ALF3620 Kitchen Sink**



- Biscuit (BS) finish coordinates with Allia Fireclay Pergame sinks. Stainless Steel (SS) and White (WH) finishes also available.
- Minimizes scratches and wear on the bottom of the sink by creating a raised working surface

Suggested Retail Price			
	SS	WH	BS
WSGAL3620 _ _	307	307	307

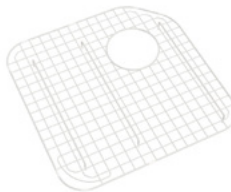
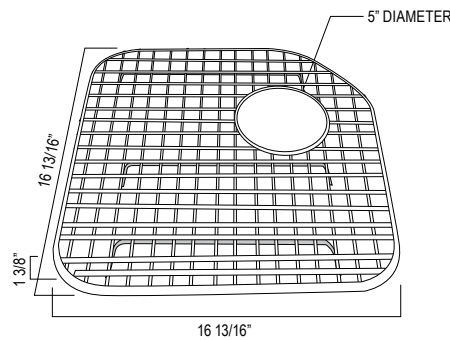
**6337 Allia™ 33" Fireclay 2 Bowl Undermount Kitchen Sink**



- 36" minimum cabinet size
- Includes "ALLIA PARIS" badge
- Due to ±2% dimensions, it is recommended that the cabinet construction is finalized upon receipt of the sink
- QN25UM Undermount Kit available
- For matching wire sink grid, order WSG6327LG and WSG6327SM

Suggested Retail Price			
	00	63	68
6337- _ _	1171	1627	1277

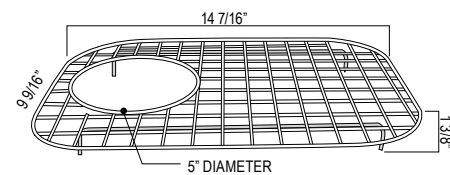
**WSG6327LG Wire Sink Grid For 6337 Kitchen Sinks Large Bowl**



- Biscuit (BS) finish coordinates with Allia Fireclay Pergame sinks. Stainless Steel (SS) and White (WH) finishes also available.
- Minimizes scratches and wear on the bottom of the sink by creating a raised working surface

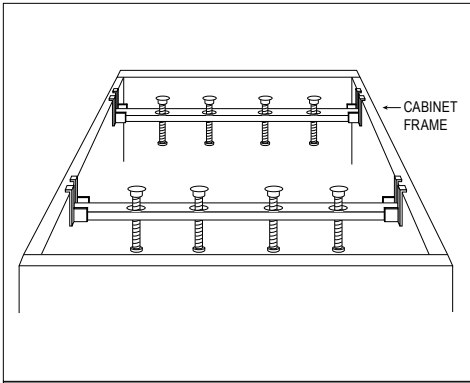
Suggested Retail Price			
	SS	WH	BS
WSG6327LG _ _	235	235	235

**WSG6327SM Wire Sink Grid For 6337 Kitchen Sinks Small Bowl**



- Biscuit (BS) finish coordinates with Allia Fireclay Pergame sinks. Stainless Steel (SS) and White (WH) finishes also available.
- Minimizes scratches and wear on the bottom of the sink by creating a raised working surface

Suggested Retail Price			
	SS	WH	BS
WSG6327SM _ _	234	234	234



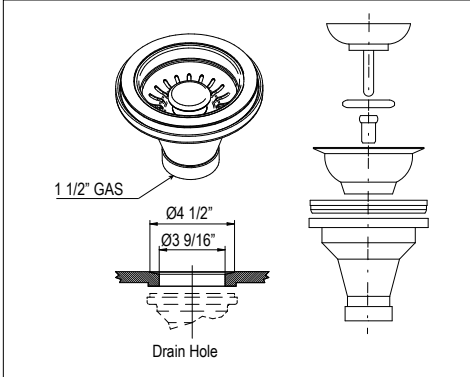
**QN25UM 25" Undermount Sink Kit**

Suggested Retail Price

	\$
QN25UM	132



- Allows easy undermount installation of all Shaws and Allia kitchen and bar/food prep sinks



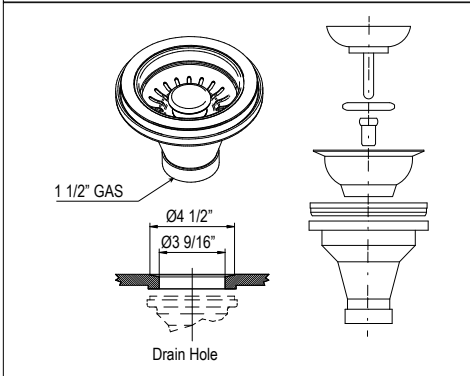
**736 Manual Basket Strainer**

Suggested Retail Price

	APC
736	100



- Fits standard 3 1/2" diameter US drain openings
- Standard 1 1/2" male connection to drain plumbing
- Shorter mounting screws available for metal sinks, part #737SCREW23



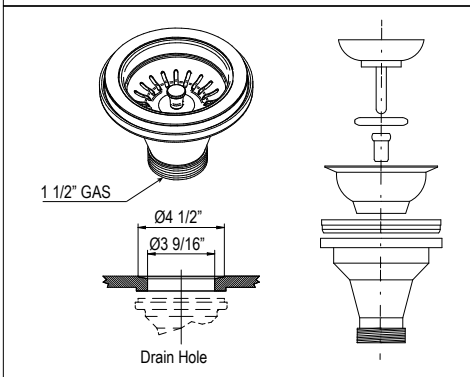
**738 Manual Basket Strainer**

Suggested Retail Price

	PN	STN	MB	IB	RG	SG	TCB	ULB	BKS
738	198	198	208	298	298	19	298	298	348



- Fits standard 3 1/2" diameter US drain openings
- Standard 1 1/2" male connection to drain plumbing
- Shorter mounting screws available for metal sinks, part #737SCREW23



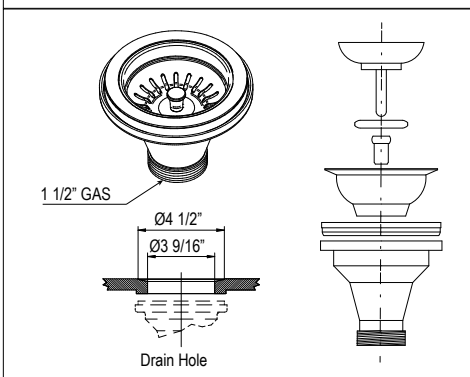
**733 Manual Basket Strainer**

Suggested Retail Price

	APC
733	68



- Fits standard 3 1/2" diameter US drain openings
- Standard 1 1/2" male connection to drain plumbing
- Shorter mounting screws available for metal sinks, part #737SCREW23



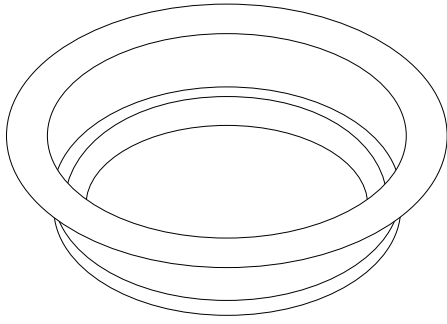
**735 Manual Basket Strainer**

Suggested Retail Price

	PN	STN	MB	IB	RG	TCB
735	198	198	208	298	298	298
	ULB	BK	WH	BKS	BS	
735	298	208	198	348	208	



- Fits standard 3 1/2" diameter US drain openings
- Standard 1 1/2" male connection to drain plumbing
- Shorter mounting screws available for metal sinks, part #737SCREW23

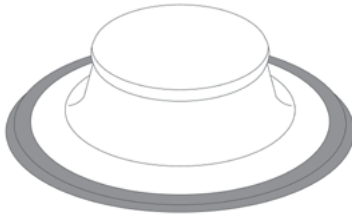


### 743 Disposal Flange



Suggested Retail Price						
	APC	PN	STN	MB	IB	RG
743 __	160	192	200	208	269	227
	SG	TCB	BK	WH	BKS	BS
743 __	460	227	208	160	160	160

- Not compatible with Waste King
- For use with 744 disposal stopper
- Fits standard 3 1/2" diameter US drain openings



### 744 Disposal Stopper



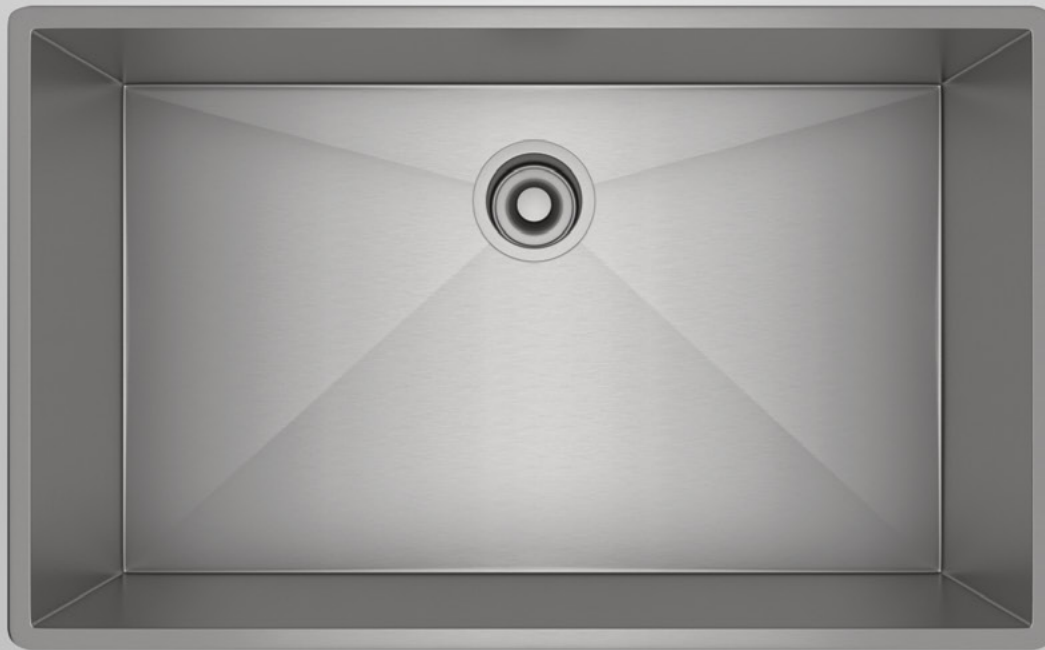
Suggested Retail Price									
	APC	PN	STN	MB	IB	RG	TCB	WH	BKS
744 __	137	165	172	179	281	214	220	137	137

- Not compatible with Waste King
- Fits standard 3 1/2" diameter US drain openings



# LUXURY STAINLESS STEEL

The sleek Italian-style design of a ROHL® Luxury Stainless Steel Sink is equal to its unparalleled craftsmanship. Industrial-grade, thick-gauge stainless steel gives it long-lasting fortitude. Innovations like insulating Quiet Coat splash-muffling technology and a rounded, bottom edge make a ROHL® sink easy to work with, easy to clean, and stunning to look at. Designed with chefs in mind, this sink is the high performance, strikingly styled sink for luxury kitchens.



RSS3018SB

Available Finishes:



*Brushed Stainless Steel*  
SB



*Black Stainless Steel*  
BKS



*Stainless Copper*  
SC

*See product page for available finishes*

# FORZE



SB



BKS



SC

BAR/FOOD PREP



RSS1318  
page 12



RSS1515  
page 12



RSS1718  
page 12

# FORZE



RSS2115  
page 13



RSS2416  
page 13



RSS2418  
page 14



RSS2716  
page 14



RSS3016  
page 14



RSS3018  
page 15



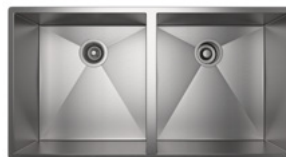
RSS3318  
page 15



RSS3618  
page 16



RSS3518  
page 16



RSS3118  
page 16

MAIN KITCHEN SINKS

# PROSCENIO



RSA3018  
page 19

# CULINARIO



RGKKIT3016  
page 17



RUWKIT49161  
page 18



RUWKIT36162  
page 20

INDEX

2021 UPDATES

ALLIA FIRECLAY SINKS

STAINLESS STEEL SINKS

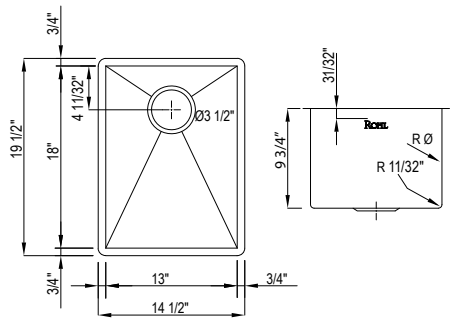


INDEX

2021 UPDATES

ALLIA FIRECLAY SINKS

STAINLESS STEEL SINKS



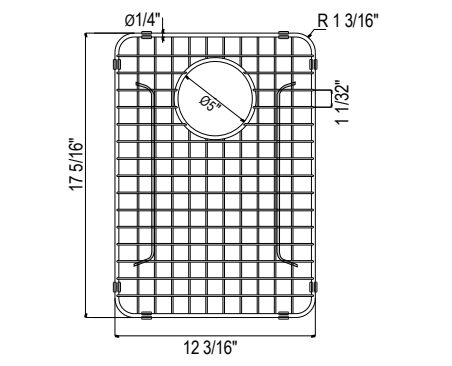
**RSS1318 Forze 13" Single Bowl Stainless Steel Kitchen Or Bar/Food Prep Sink**



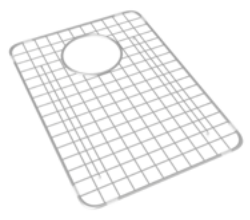
**Suggested Retail Price**

	SB	SC
RSS1318	1516	3793

- Commercial grade, 16 gauge 18/10 type 304 Stainless Steel
- 18" minimum cabinet size
- For matching wire sink grid, order WSGRSS1318



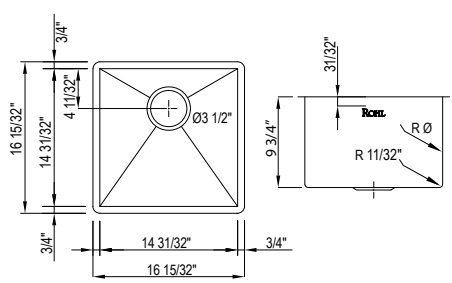
**WSGRSS1318 Wire Sink Grid For RSS3118 & RSS1318 Stainless Steel Kitchen Sink**



**Suggested Retail Price**

	SS	SC
WSGRSS1318	292	505

- Minimizes scratches and wear on the bottom of the sink by creating a raised working surface



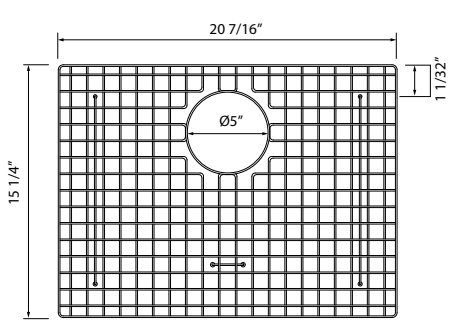
**RSS1515 Forze 15" Single Bowl Stainless Steel Kitchen Or Bar/Food Prep Sink**



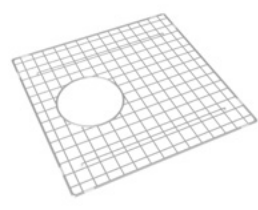
**Suggested Retail Price**

	SB	BKS	SC
RSS1515	1624	3712	3712

- Commercial grade, 16 gauge 18/10 type 304 Stainless Steel
- 18" minimum cabinet size
- For matching wire sink grid, order WSGRSS1515



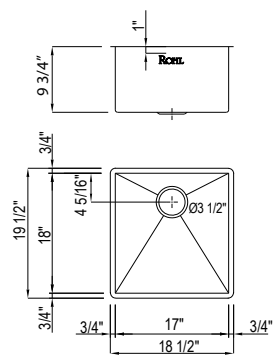
**WSGRSS1515 Wire Sink Grid For RSS1515 Stainless Steel Sink**



**Suggested Retail Price**

	SS	BKS	SC
WSGRSS1515	194	237	332

- Minimizes scratches and wear on the bottom of the sink by creating a raised working surface



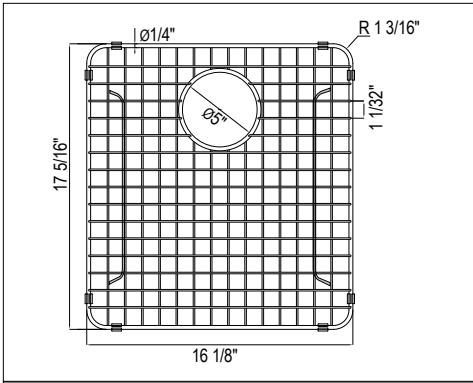
**RSS1718 Forze 17" Single Bowl Stainless Steel Kitchen Or Bar/Food Prep Sink**



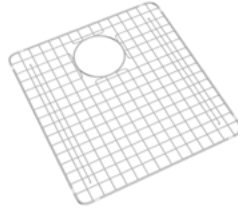
**Suggested Retail Price**

	SB	BKS	SC
RSS1718	1555	3834	3834

- Commercial grade, 16 gauge 18/10 type 304 Stainless Steel
- 21" minimum cabinet size
- For matching wire sink grid, order WSGRSS1718

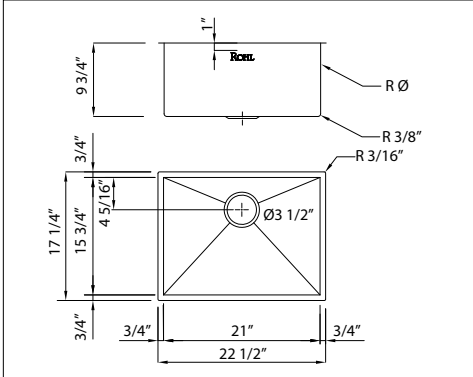


**WSGRSS1718** Wire Sink Grid For RSS1718, RSS3518 And RSS3118 Kitchen Sinks



- Minimizes scratches and wear on the bottom of the sink by creating a raised working surface

WSGRSS1718	Suggested Retail Price		
	SS	BKS	SC
	216	276	367

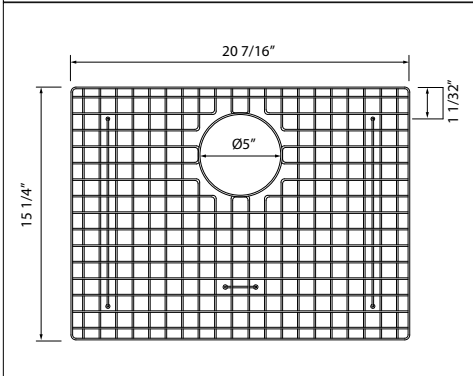


**RSS2115** Forze 21" Single Bowl Stainless Steel Kitchen Or Laundry Sink

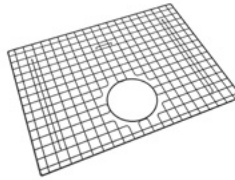


- Commercial grade, 16 gauge 18/10 type 304 Stainless Steel
- 24" minimum cabinet size
- For matching wire sink grid, order WSGRSS2115

RSS2115	Suggested Retail Price	
	SS	BKS
	1595	

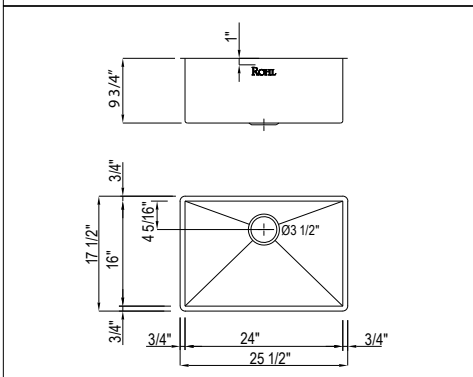


**WSGRSS2115** Wire Sink Grid For RSS2115 Kitchen Or Laundry Sink



- Minimizes scratches and wear on the bottom of the sink by creating a raised working surface

WSGRSS2115	Suggested Retail Price	
	SS	BKS
	283	

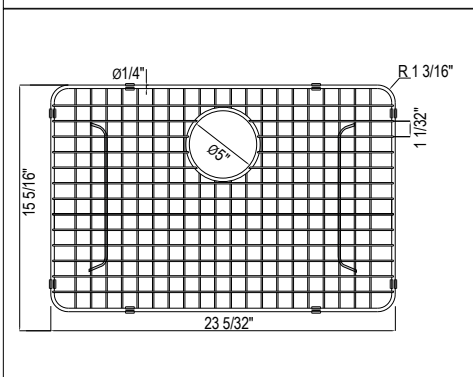


**RSS2416** Forze 24" Single Bowl Stainless Steel Kitchen Sink

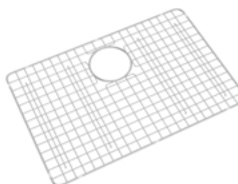


- Commercial grade, 16 gauge 18/10 type 304 Stainless Steel
- 27" minimum cabinet size
- For matching wire sink grid, order WSGRSS2416

RSS2416	Suggested Retail Price	
	SS	BKS
	1647	

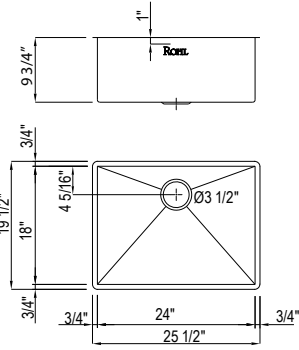


**WSGRSS2416** Wire Sink Grid For RSS2416 Kitchen Sink



- Minimizes scratches and wear on the bottom of the sink by creating a raised working surface

WSGRSS2416	Suggested Retail Price	
	SS	BKS
	240	



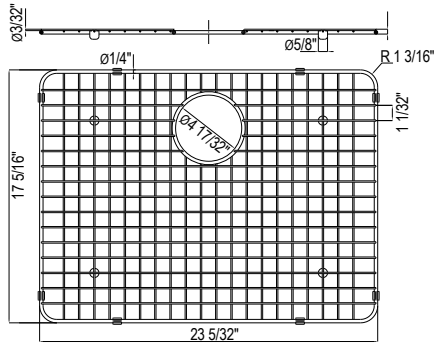
**RSS2418 Forze 24" Single Bowl Stainless Steel Kitchen Sink**



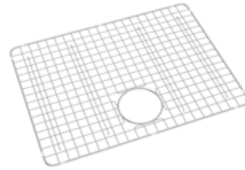
- Commercial grade, 16 gauge 18/10 type 304 Stainless Steel
- 27" minimum cabinet size
- For matching wire sink grid, order WSGRSS2418

**Suggested Retail Price**

	SB	SC
RSS2418	1647	4035



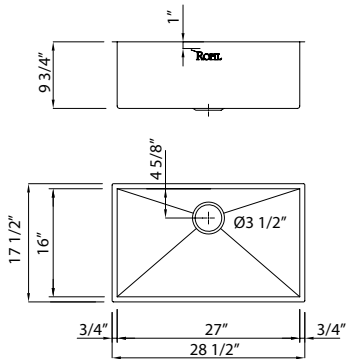
**WSGRSS2418 Wire Sink Grid For RSS2418 Kitchen Sink**



- Minimizes scratches and wear on the bottom of the sink by creating a raised working surface

**Suggested Retail Price**

	SS	SC
WSGRSS2418	249	428



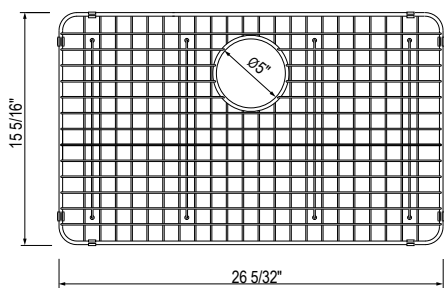
**RSS2716 Forze 27" Single Bowl Stainless Steel Kitchen Sink**



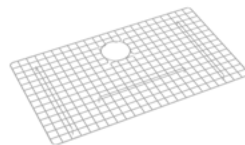
- Commercial grade, 16 gauge 18/10 type 304 Stainless Steel
- 30" minimum cabinet size
- For matching wire sink grid, order WSGRSS2716

**Suggested Retail Price**

	SB
RSS2716	1701



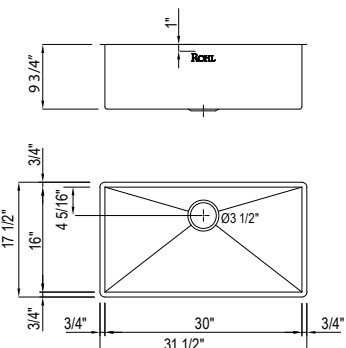
**WSGRSS2716 Wire Sink Grid For RSS2716 Kitchen Sink**



- Minimizes scratches and wear on the bottom of the sink by creating a raised working surface

**Suggested Retail Price**

	SS
WSGRSS2716	223



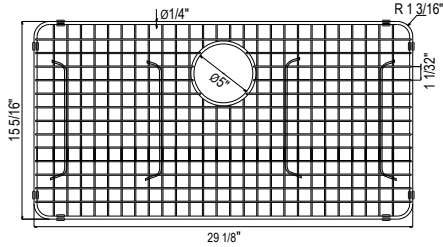
**RSS3016 Forze 30" Single Bowl Stainless Steel Kitchen Sink**



- Commercial grade, 16 gauge 18/10 type 304 Stainless Steel
- 33" minimum cabinet size
- For matching wire sink grid, order WSGRSS3016

**Suggested Retail Price**

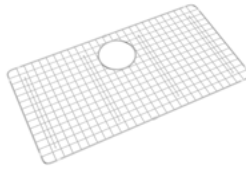
	SB	BKS
RSS3016	1715	4171



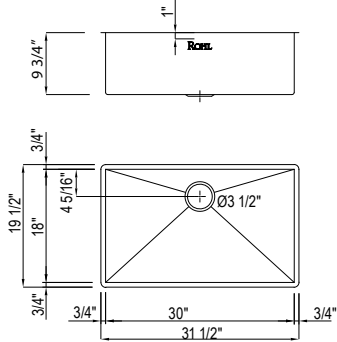
**WSGRSS3016** Wire Sink Grid For RSS3016 Kitchen Sink

**Suggested Retail Price**

	SS	BKS
WSGRSS3016	280	284



- Minimizes scratches and wear on the bottom of the sink by creating a raised working surface



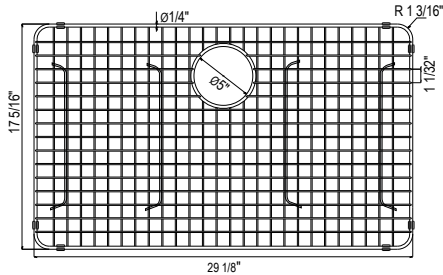
**RSS3018** Forze 30" Single Bowl Stainless Steel Kitchen Sink

**Suggested Retail Price**

	SB	BKS	SC
RSS3018	1715	4171	4171



- Commercial grade, 16 gauge 18/10 type 304 Stainless Steel
- 33" minimum cabinet size
- For matching wire sink grid, order WSGRSS3018



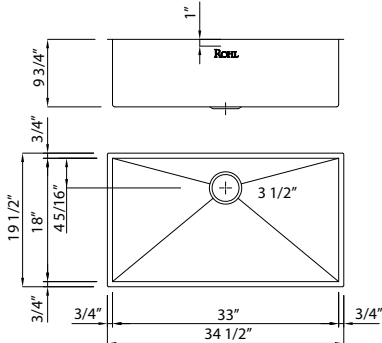
**WSGRSS3018** Wire Sink Grid For RSS3018 And RSA3018 Kitchen Sinks

**Suggested Retail Price**

	SS	BKS	SC
WSGRSS3018	291	315	499



- Minimizes scratches and wear on the bottom of the sink by creating a raised working surface



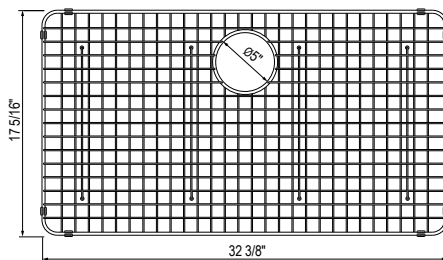
**RSS3318** Forze 33" Single Bowl Stainless Steel Kitchen Sink

**Suggested Retail Price**

	SB
RSS3318	1794



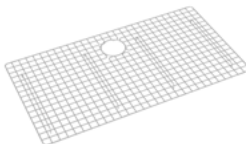
- Commercial grade, 16 gauge 18/10 type 304 Stainless Steel
- 36" minimum cabinet size
- For matching wire sink grid, order WSGRSS3318



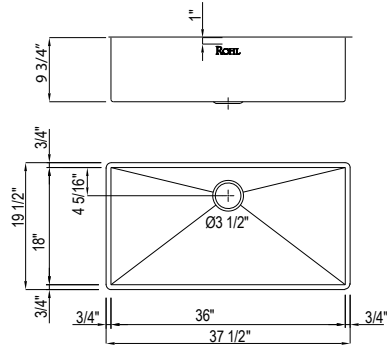
**WSGRSS3318** Wire Sink Grid For RSS3318 Kitchen Sink

**Suggested Retail Price**

	SS
WSGRSS3318	305



- Minimizes scratches and wear on the bottom of the sink by creating a raised working surface

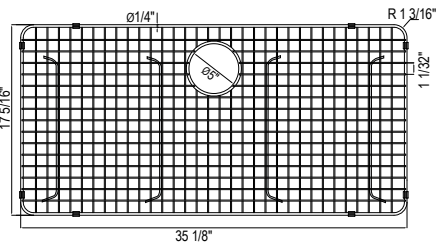


**RSS3618 Forze 36" Single Bowl Stainless Steel Kitchen Sink**

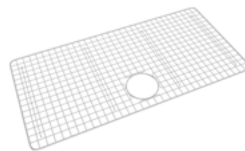


- Commercial grade, 16 gauge 18/10 type 304 Stainless Steel
- 39" minimum cabinet size
- For matching wire sink grid, order WSGRSS3618

Suggested Retail Price		
	SB	SC
RSS3618	1864	4406

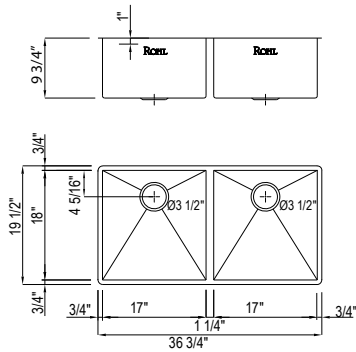


**WSGRSS3618 Wire Sink Grid For RSS3318 Kitchen Sink**

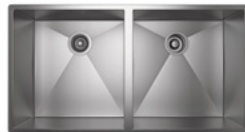


- Minimizes scratches and wear on the bottom of the sink by creating a raised working surface

Suggested Retail Price		
	SS	SC
WSGRSS3618	336	576

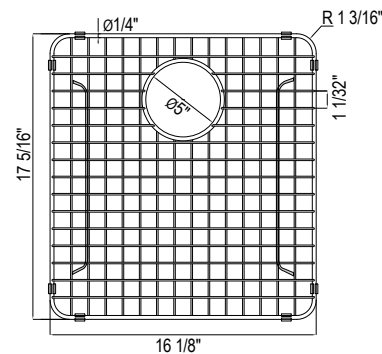


**RSS3518 Forze 35" Double Bowl Stainless Steel Kitchen Sink**

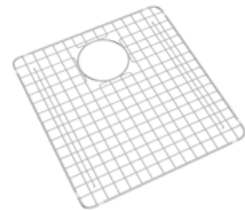


- Commercial grade, 16 gauge 18/10 type 304 Stainless Steel
- 39" minimum cabinet size
- For matching wire sink grid, order WSGRSS1718

Suggested Retail Price	
	SB
RSS3518	3080

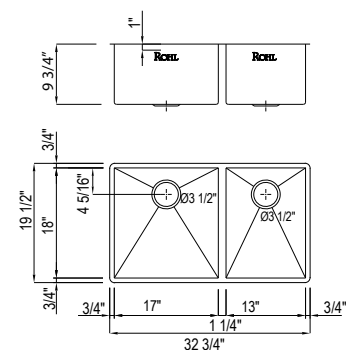


**WSGRSS1718 Wire Sink Grid For RSS1718, RSS3518 And RSS3118 Kitchen Sinks**



- Minimizes scratches and wear on the bottom of the sink by creating a raised working surface

Suggested Retail Price			
	SS	BKS	SC
WSGRSS1718	216	276	367



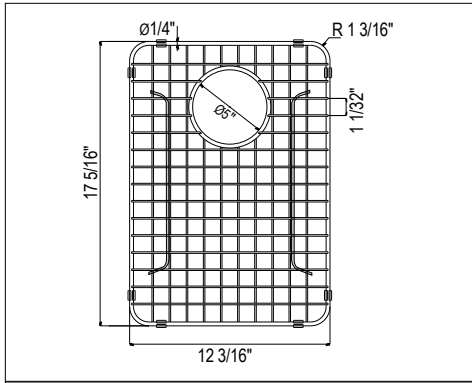
**RSS3118 Forze 31" 1 1/2 Bowl Stainless Steel Kitchen Sink**



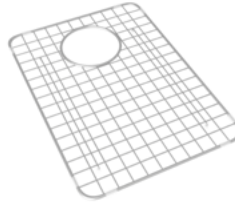
- Commercial grade, 16 gauge 18/10 type 304 Stainless Steel
- 36" minimum cabinet size
- For matching wire sink grid, order WSGRSS1718 and WSGRSS1318

Suggested Retail Price	
	SB
RSS3118	2797





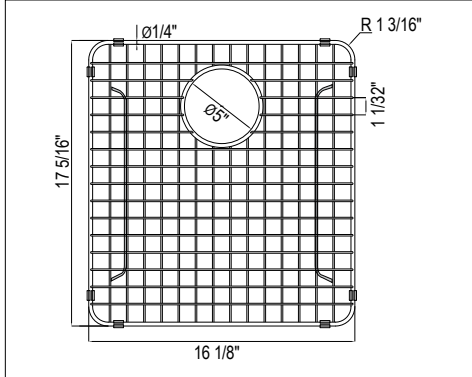
**WSGRSS1318** Wire Sink Grid For RSS3118 & RSS1318 Stainless Steel Kitchen Sink



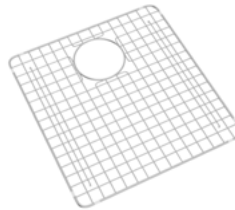
**Suggested Retail Price**

	SS	SC
WSGRSS1318	292	505

- Minimizes scratches and wear on the bottom of the sink by creating a raised working surface



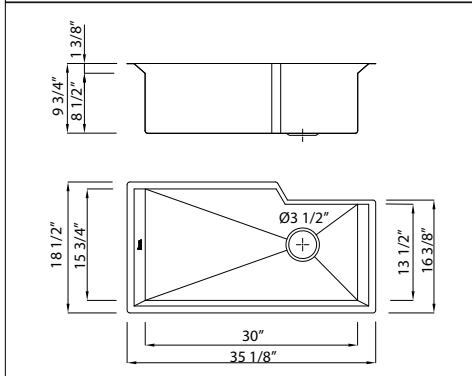
**WSGRSS1718** Wire Sink Grid For RSS1718, RSS3518 And RSS3118 Kitchen Sinks



**Suggested Retail Price**

	SS	BKS	SC
WSGRSS1718	216	276	367

- Minimizes scratches and wear on the bottom of the sink by creating a raised working surface



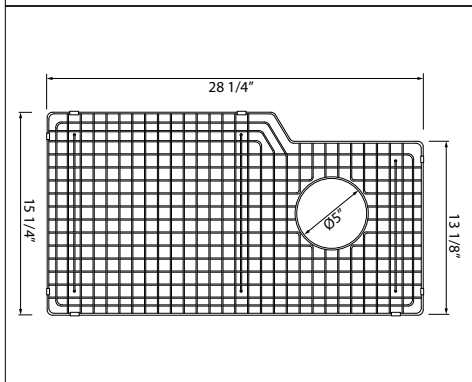
**RGK3016** Culinario 35" Single Bowl Stainless Steel Kitchen Sink



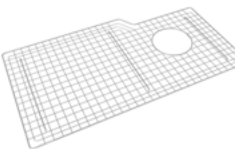
**Suggested Retail Price**

	SB
RGK3016	2194

- Commercial grade, 16 gauge 18/10 type 304 Stainless Steel
- 36" minimum cabinet size
- For matching wire sink grid, order WSGRGK3016



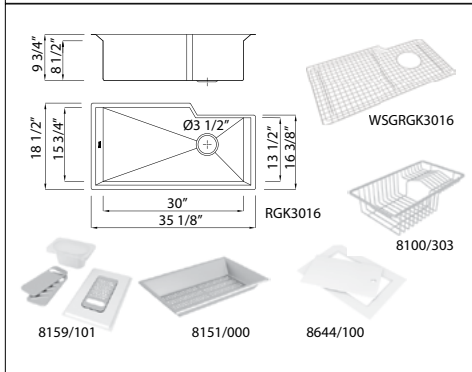
**WSGRGK3016** Wire Sink Grid For RGK3016 Kitchen Sink



**Suggested Retail Price**

	SS
WSGRGK3016	354

- Minimizes scratches and wear on the bottom of the sink by creating a raised working surface



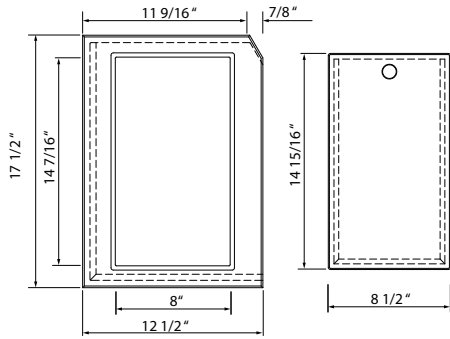
**RGKKIT3016** Culinario 35" Single Bowl Stainless Steel Kitchen Sink With Accessories



**Suggested Retail Price**

	SB
RGKKIT3016	3948

- Commercial grade, 16 gauge 18/10 type 304 Stainless Steel
- 36" minimum cabinet size



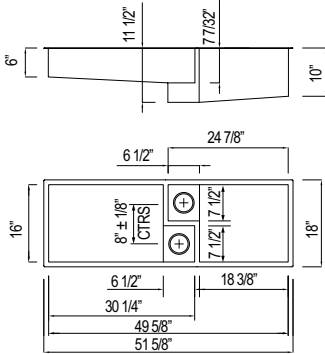
**8644/100** Cutting Board For RGK3016 Stainless Steel Sink



- Includes 15" x 8 1/2" inset to complete set and for inserting additional accessories

Suggested Retail Price

	WH
8644/100	245



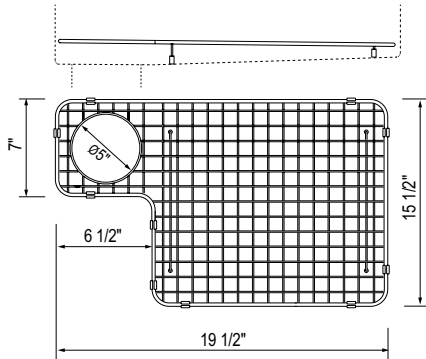
**RUW4916SB** Culinario 50" Double Bowl Stainless Steel Chef/Work Station Sink in Brushed Stainless Steel



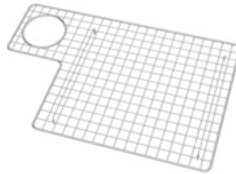
- Commercial grade, 16 gauge 18/10 type 304 Stainless Steel
- Custom cabinet size or combination of standard 18" cabinets
- For matching wire sink grid, order WSGRUW4916LG and WSGRUW4916SM

Suggested Retail Price

	SB
RUW4916	4366



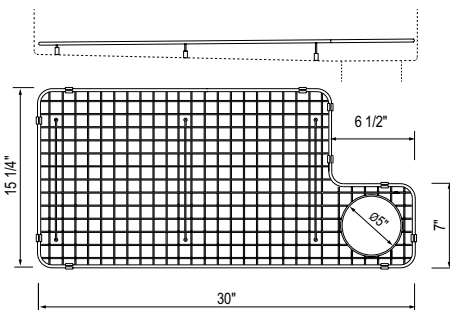
**WSGRUW4916SM** Wire Sink Grid For RUW4916 Stainless Steel Kitchen Sink Small Bowl



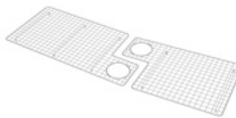
- Minimizes scratches and wear on the bottom of the sink by creating a raised working surface

Suggested Retail Price

	SS
WSGRUW4916SM	298



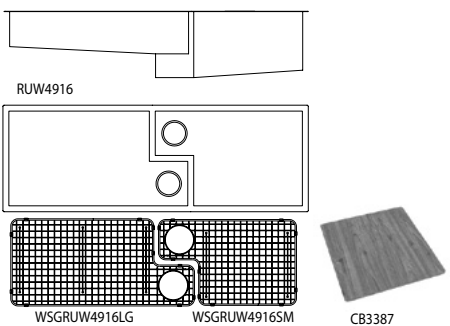
**WSGRUW4916LG** Wire Sink Grid For RUW4916 Stainless Steel Kitchen Sink Large Bowl



- Minimizes scratches and wear on the bottom of the sink by creating a raised working surface

Suggested Retail Price

	SS
WSGRUW4916LG	326



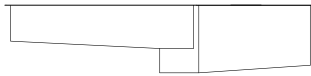
**RUWKIT49161** Culinario 50" Stainless Steel Chef/Workstation Sink in Brushed Stainless Steel with Cutting Board and Wire Sink Grids



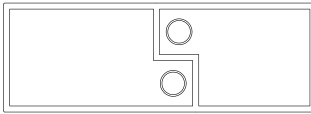
- Commercial grade, 16 gauge 18/10 type 304 Stainless Steel
- Custom cabinet size or combination of standard 18" cabinets

Suggested Retail Price

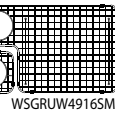
	SB
RUWKIT49161	5428



RUW4916



WSGRUW4916LG



WSGRUW4916SM



8100/303



8151/000



8644/101

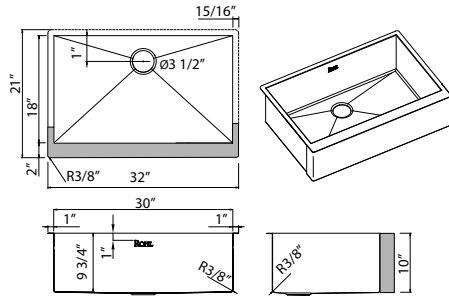
### RUWKIT49162 Culinario 50" Stainless Steel Chef/Workstation Sink in Brushed Stainless Steel with Accessories and Wire Sink Grids

Suggested Retail Price

	SB
RUWKIT49162	6075



- Commercial grade, 16 gauge 18/10 type 304 Stainless Steel
- Custom cabinet size or combination of standard 18" cabinets



### RSA3018 Proscenio 30" Single Bowl Apron Front Stainless Steel Kitchen Sink

Suggested Retail Price

	SB
RSA3018	3621

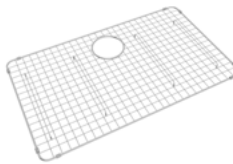
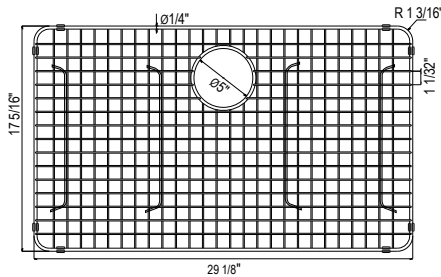


- Commercial grade, 16 gauge 18/10 type 304 Stainless Steel
- 36" minimum cabinet size
- For matching wire sink grid, order WSGRSS3018

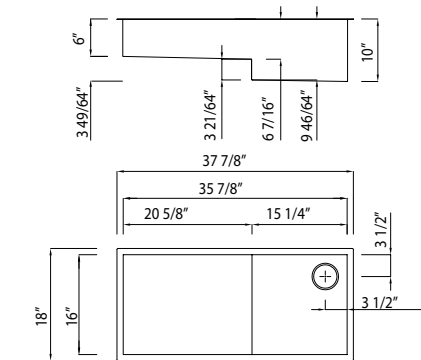
### WSGRSS3018 Wire Sink Grid For RSS3018 And RSA3018 Kitchen Sinks

Suggested Retail Price

	SS	BKS	SC
WSGRSS3018	291	315	499



- Minimizes scratches and wear on the bottom of the sink by creating a raised working surface



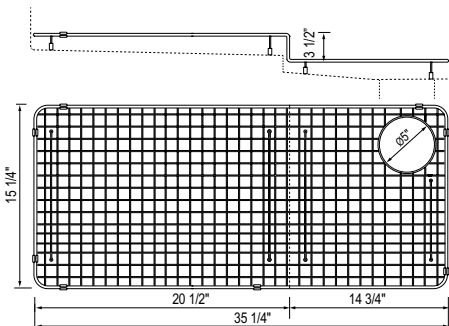
### RUW3616SB Culinario 36" Stainless Steel Chef/Work Station Sink in Brushed Stainless Steel

Suggested Retail Price

	SB
RUW3616	2976



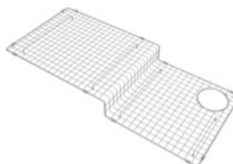
- Commercial grade, 16 gauge 18/10 type 304 Stainless Steel
- 42" minimum cabinet size
- For matching wire sink grid, order WSGRUW3616



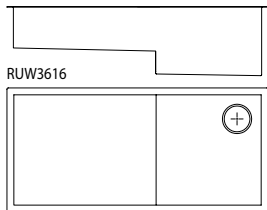
### WSGRUW3616 Wire Sink Grid For RUW3616 Stainless Steel Kitchen Sink in Stainless Steel

Suggested Retail Price

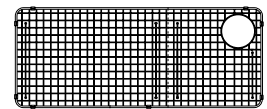
	SS
WSGRUW3616	383



- Minimizes scratches and wear on the bottom of the sink by creating a raised working surface



RUWKIT3616



WSGRUW3616



CB3387

**RUWKIT3616** Culinario 36" Stainless Steel Chef/Workstation Sink in Brushed Stainless Steel with Cutting Board and Wire Sink Grid

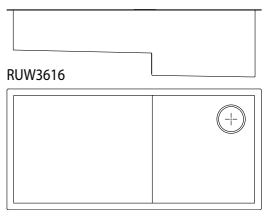


- Commercial grade, 16 gauge 18/10 type 304 Stainless Steel
- 42" minimum cabinet size

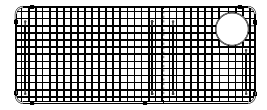


**Suggested Retail Price**

	SB
RUWKIT3616 _ _	3797



RUWKIT3616



WSGRUW3616



8100/303



8151/000



8644/101

**RUWKIT36162** Culinario 36" Stainless Steel Chef/Workstation Sink in Brushed Stainless Steel with Accessories and Wire Sink Grid

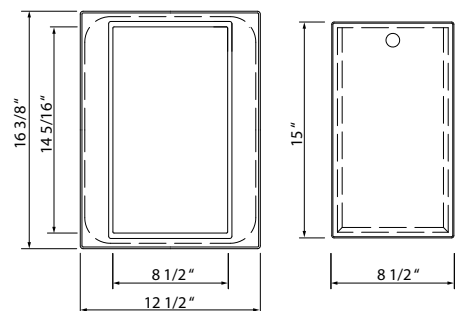


- Commercial grade, 16 gauge 18/10 type 304 Stainless Steel
- 42" minimum cabinet size



**Suggested Retail Price**

	SB
RUWKIT36162 _ _	4445



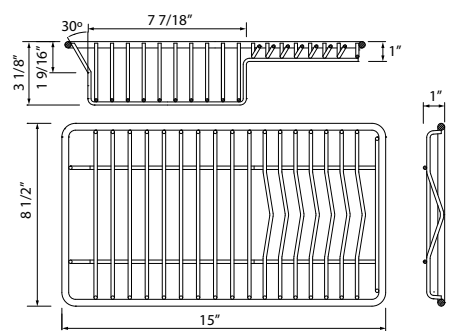
**8644/101** Cutting Board For 16" Stainless Steel Sinks



- Includes 15" x 8 1/2" inset for exchanging with additional accessories
- When used with RSS3016 or RSS2416, sink must be installed with a zero reveal

**Suggested Retail Price**

	WH
8644/101	245



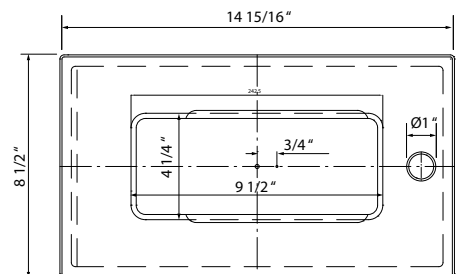
**8100/303** Dish Rack For 16" And 18" I.D. Stainless Steel Sinks



- Requires 8644/100 or 8644/101 to complete the set

**Suggested Retail Price**

	SS
8100/303	215



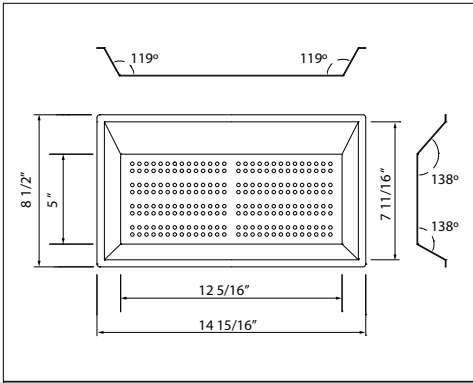
**8159/101** Grating Kit For 16" And 18" I.D. Stainless Steel Sinks



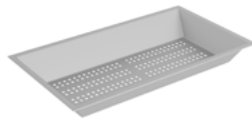
- Requires 8644/100 or 8644/101 to complete the set

**Suggested Retail Price**

	SS
8159/101	315



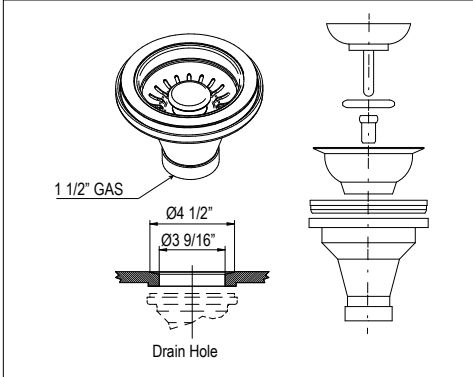
**8151/000 Colander For 16" And 18" I.D. Stainless Steel Sinks**



- Requires 8644/100 or 8644/101 to complete the set

**Suggested Retail Price**

	SS
8151/000	629



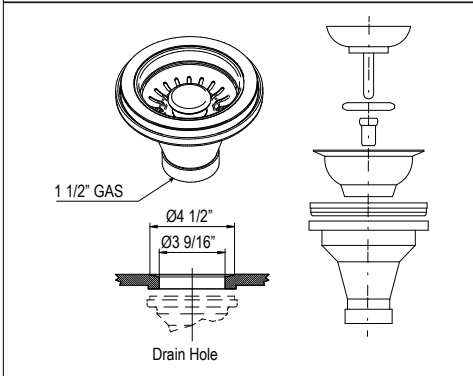
**736 Manual Basket Strainer**



- Fits standard 3 1/2" diameter US drain openings
- Standard 1 1/2" male connection to drain plumbing
- Shorter mounting screws available for metal sinks, part #737SCREW23

**Suggested Retail Price**

	APC
736	100



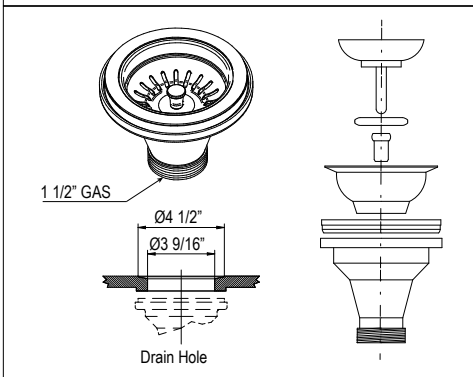
**738 Manual Basket Strainer**



- Fits standard 3 1/2" diameter US drain openings
- Standard 1 1/2" male connection to drain plumbing
- Shorter mounting screws available for metal sinks, part #737SCREW23

**Suggested Retail Price**

	PN	STN	MB	IB	RG	SG	TCB	ULB	BKS
738	198	198	208	298	298	19	298	298	348



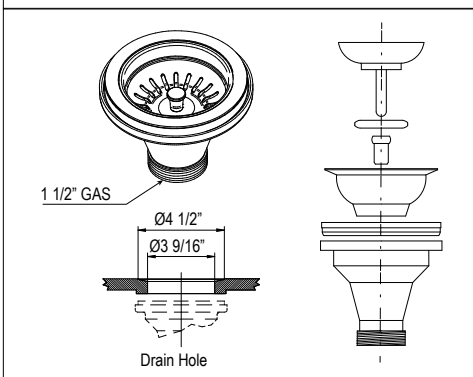
**733 Manual Basket Strainer**



- Fits standard 3 1/2" diameter US drain openings
- Standard 1 1/2" male connection to drain plumbing
- Shorter mounting screws available for metal sinks, part #737SCREW23

**Suggested Retail Price**

	APC
733	68



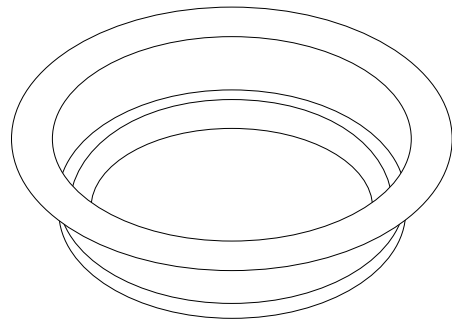
**735 Manual Basket Strainer**



- Fits standard 3 1/2" diameter US drain openings
- Standard 1 1/2" male connection to drain plumbing
- Shorter mounting screws available for metal sinks, part #737SCREW23

**Suggested Retail Price**

	PN	STN	MB	IB	RG	TCB
735	198	198	208	298	298	298
	ULB	BK	WH	BKS	BS	
735	298	208	198	348	208	



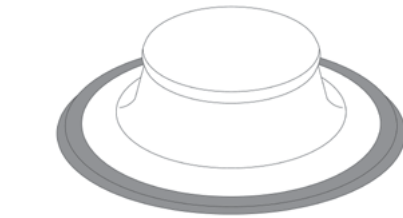
### 743 Disposal Flange



**Suggested Retail Price**

	APC	PN	STN	MB	IB	RG
743 __	160	192	200	208	269	227
	SG	TCB	BK	WH	BKS	BS
743 __	460	227	208	160	160	160

- Not compatible with Waste King
- For use with 744 disposal stopper
- Fits standard 3 1/2" diameter US drain openings



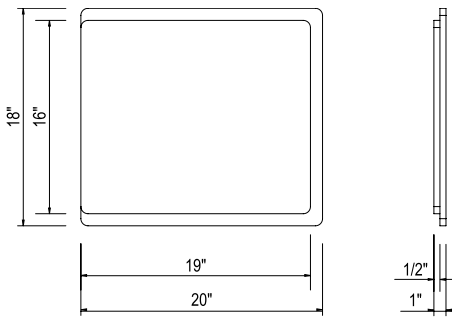
### 744 Disposal Stopper



**Suggested Retail Price**

	APC	PN	STN	MB	IB	RG	TCB	WH	BKS
744 __	137	165	172	179	281	214	220	137	137

- Not compatible with Waste King
- Fits standard 3 1/2" diameter US drain openings



### CB3387 Cutting Board For 16" Stainless Steel Sinks



**Suggested Retail Price**

	Beech
CB3387	439

- Specially designed to extend the working surface of Stainless Steel sinks with 16" front to back interior dimension
- Compatible with RUW4916, RUW3616, RSS3016, and RSS2416

## 1983

In 1983, a revolution happened in the kitchen. This was the year the pull-out faucet was introduced to America by ROHL®. The 1983 Pull-Out/Pull-Down Collection combines innovation and ease in a timeless design. Anti-scald technology, dissimilar ceramic discs for longevity and smooth operation, as well as a stainless steel coil and chlorine-resistant inner liner are the technical facets that transformed cooking and effortless cleaning. 1983 combines classic shapes in a contemporary form with state-of-the-art beauty for transitional decor.



R7514LMSS

## Handle Options

*Metal Lever  
LM*

## Available Finishes:

*Polished Chrome  
APC**Polished Nickel  
PN**Satin Nickel  
STN**Matte Black  
MB**Rose Gold  
RG**Stainless Steel  
SS*

*See product page for available finishes*



KITCHEN & BAR FAUCETS



R7903  
page 26



R77V3  
page 26



R7514S  
page 26



R7514  
page 26

FILTRATION / OTHER



AKIT1635  
page 26



GKIT7545  
page 27



See product page for available finishes.

SOAP DISPENSERS



LS450  
page 28



LS950C  
page 28

AIR SWITCH



AS450  
page 29



AS550  
page 29

SINKS



RC2418  
Shaws® Price Book



RC3017  
Shaws® Price Book



6337  
page 6



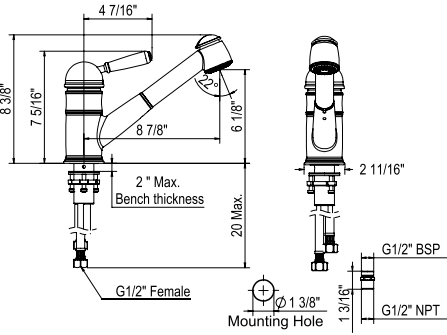
6347  
page 4



RSS2418  
page 14



RSS2716  
page 14



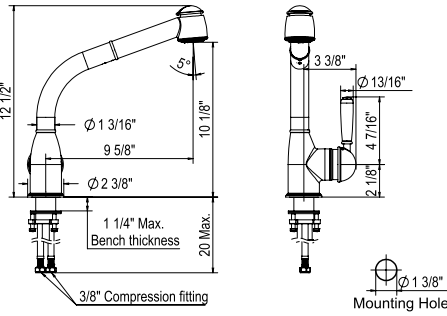
**R77V3 1983 Pull-Out Kitchen Faucet**



**Suggested Retail Price**

Handle	APC	PN	STN
R77V3	984	1181	1230

- Dual-spray functionality with stream and spray settings
- 1.8 GPM at 60 PSI (CEC compliant)



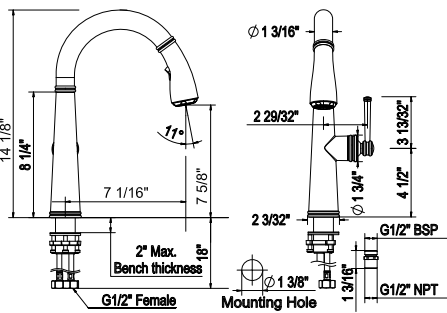
**R7903 1983 Tall Pull-Out Kitchen Faucet**



**Suggested Retail Price**

Handle	APC	PN	STN
R7903LM	1069	1282	1336

- Dual-spray functionality with stream and spray settings
- 1.8 GPM at 60 PSI (CEC compliant)
- Requires 2 1/2" clearance from backsplash to center of faucet hole



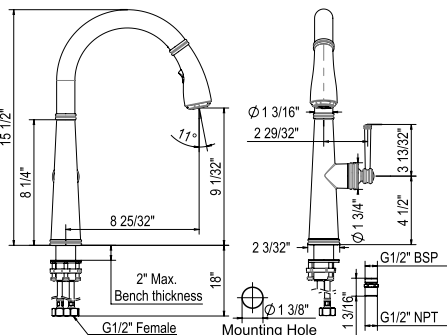
**R7514S 1983 Pull-Down Bar/Food Prep Kitchen Faucet**



**Suggested Retail Price**

Handle	APC	PN	STN	SS	MB	RG
R7514SLM	-2	944	1133	1181	1091	1228 1391

- Dual-spray functionality with stream and spray settings
- 1.8 GPM at 60 PSI (CEC compliant)
- Requires 2 1/2" clearance from backsplash to center of faucet hole
- Matching bar/prep faucet for R7514



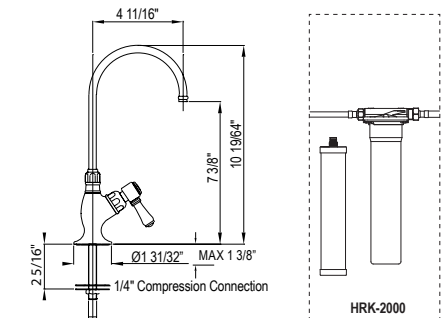
**R7514 1983 Pull-Down Kitchen Faucet**



**Suggested Retail Price**

Handle	APC	PN	STN	SS	MB	RG
R7514LM	-2	944	1133	1181	1091	1228 1391

- Dual-spray functionality with stream and spray settings
- 1.8 GPM at 60 PSI (CEC compliant)
- Requires 2 1/2" clearance from backsplash to center of faucet hole



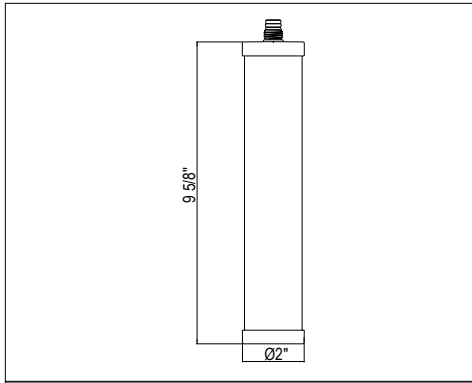
**AKIT1635 San Julio® Filter Kitchen Faucet Kit**



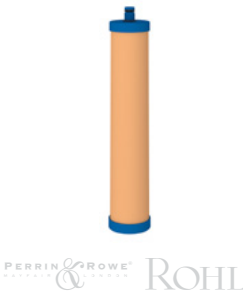
**Suggested Retail Price**

Handle	APC	PN	STN	MB	IB	TCB	ULB
AKIT1635LM	-2	992	1062	1142	1142	1142	1127

- .5 GPM at 45 PSI (CEC compliant)
- Includes HRK-2000 filtration system



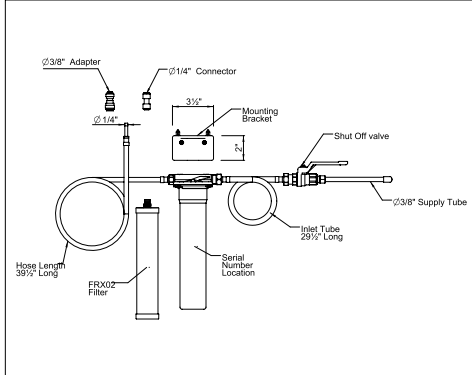
### HRF-1000 Arolla™ Replacement Filter Cartridge



Suggested Retail Price

	\$
HRF-1000	106

- Replacement cartridge for HRK-2000 filter system
- Recommend changing filter every 6 months or 1,000 gallons



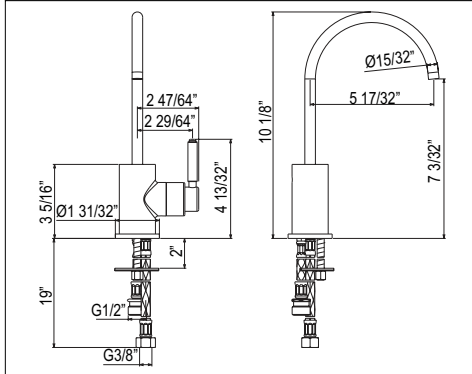
### HRK-2000 Arolla™ Filtration System With Cartridge



Suggested Retail Price

	\$
HRK-2000	639

- Includes cartridge, housing and connecton hoses
- Filter faucet not included
- Recommend changing filter every 6 months or 1,000 gallons
- For replacement filter cartridge, order HRF-1000: \$106
- Recommend changing filter system every 3 years due to constant water pressure on the inlet



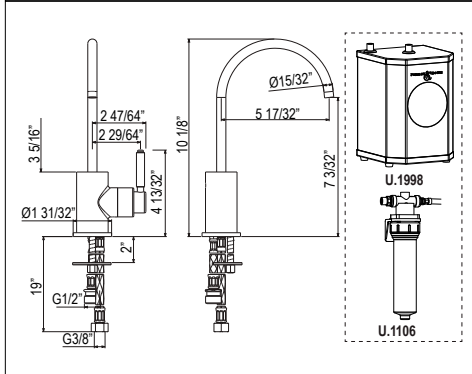
### G7545 Lux™ Hot Water Dispenser



Suggested Retail Price

Handle	APC	PN	STN	MB	TCB
G7545LM	-2	331	428	634	634

- 1.2 GPM at 45 PSI (CEC compliant)
- For use with U.1998 high performance hot water tank and U.1106 filter



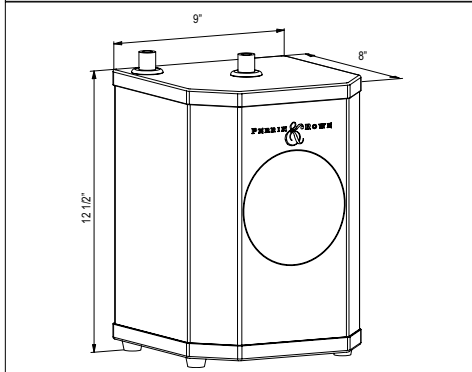
### GKIT7545 Lux™ Hot Water Dispenser, Tank And Filter Kit



Suggested Retail Price

Handle	APC	PN	STN	MB	TCB
GKIT7545LM	-2	1573	1670	1876	1876

- .5 GPM at 45 PSI (CEC compliant)
- Order U.PRF1 for hot water replacement filter cartridge
- Includes U.1998 Hot water tank and U.1106 filter system



### U.1998 High Performance Hot Water Tank

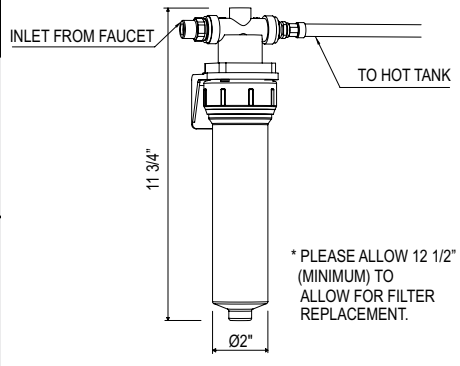


Suggested Retail Price

	\$
U.1998	887

- 3-Year limited warranty
- Not compatible with ISE type dispensers

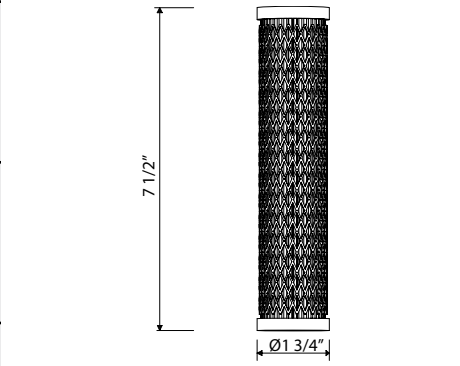




### U.1106 Hot Water Filtration System

Suggested Retail Price	
	\$
U.1106	355

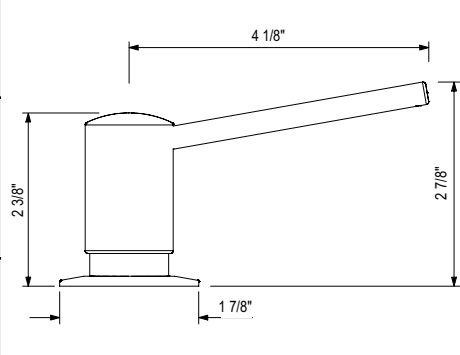
- Includes cartridge, housing and connection hoses
- Filter faucet not included
- For replacement filter cartridge, order U.PRF1: \$123
- Recommend changing filter every 6 months or 1,000 gallons



### U.PRF1 Hot Water Replacement Filter Cartridge

Suggested Retail Price	
	\$
U.PRF1	123

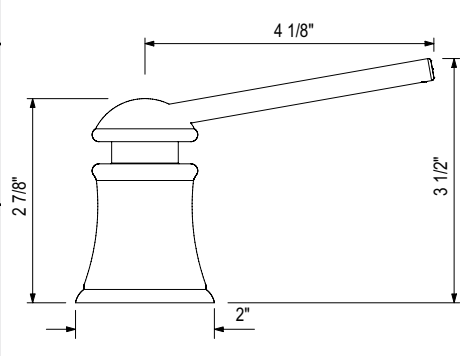
- Designed for use with U.1106 and U.1408 hot water filtration systems
- Recommend changing filter every 6 months or 1,000 gallons



### LS450 Soap Dispenser

Suggested Retail Price		APC	PN	STN	SS	MB
LS450L	__	157	188	196	169	204

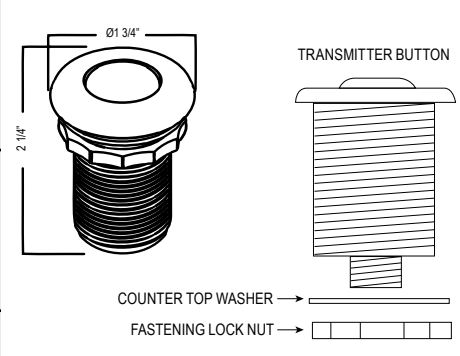
- Brass construction
- 12 fluid ounce bottle capacity
- Top fill



### LS950C Soap Dispenser

Suggested Retail Price		APC	PN	STN	TCB
LS950C	__	190	228	237	270

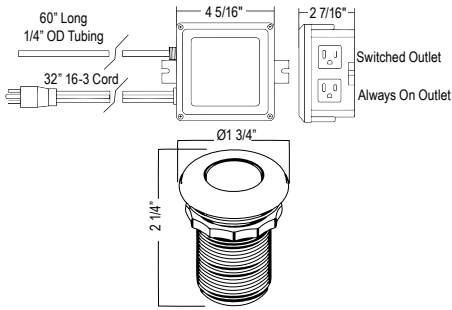
- Brass construction
- 12 fluid ounce bottle capacity
- Top fill



### AS425 Waste Disposal Air Switch Button

Suggested Retail Price		APC	PN	STN	SS	MB	AG	IB	SG	TCB	ULB
AS425	__	100	120	125	110	130	142	142	321	142	142

- Remote on/off air switch button for activating garbage disposals
- Solution for island countertops or where an electrical switch is not available



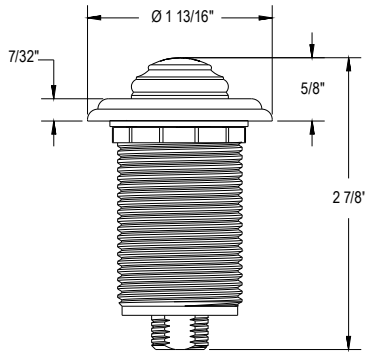
### AS450 Waste Disposal Control Box With Air Switch Button



**Suggested Retail Price**

	APC	PN	STN	SS	MB	AG	IB	SG	TCB	ULB
AS450 __	301	361	376	311	391	349	428	522	428	428

- Remote on/off air switch button for activating garbage disposals
- Solution for island countertops or where an electrical switch is not available
- Control box with mounting hardware included



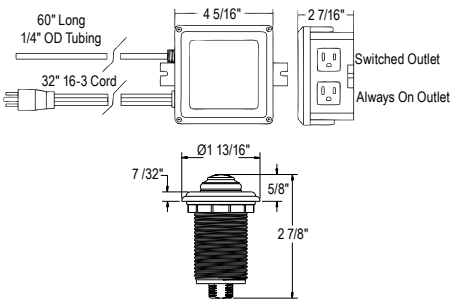
### AS525 Waste Disposal Air Switch Button



**Suggested Retail Price**

	APC	PN	STN	MB	IB	TCB	ULB
AS525 __	156	187	195	203	221	221	221

- Includes ROHL branding on top of button
- Remote on/off air switch button for activating garbage disposals



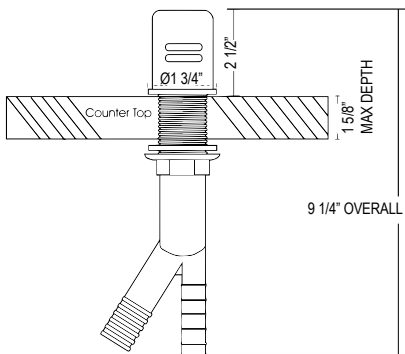
### AS550 Waste Disposal Control Box With Air Switch Button



**Suggested Retail Price**

	APC	PN	STN	MB	IB	TCB	ULB
AS550 __	357	428	446	464	507	507	507

- Includes ROHL branding on top of button
- Remote on/off air switch button for activating garbage disposals
- Control box with mounting hardware included



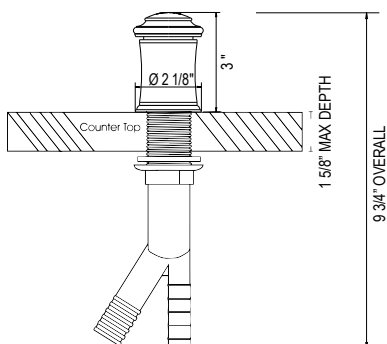
### AG600 Air Gap



**Suggested Retail Price**

	AG	APC	PN	STN	SS	MB	IB	SG	TCB	ULB
AG600 __	100	71	85	88	90	92	100	375	100	100

- Prevents contaminated sink water from entering the dishwasher



### AG700 Air Gap

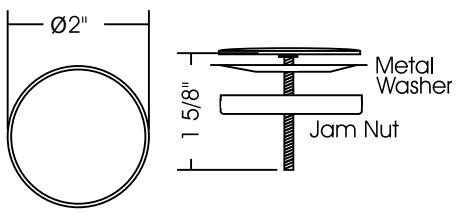


**Suggested Retail Price**

	APC	PN	STN	MB	IB	TCB
AG700 __	187	224	234	243	265	265

- Includes ROHL branding on top of air gap
- Prevents contaminated sink water from entering the dishwasher

### SHC-1 Sink Hole Cover



**Suggested Retail Price**

	APC	PN	STN	MB	IB	BK	WH
SHC-1 _ _	18	42	42	30	98	30	30

- Biscuit coordinates with Shaws Fireclay Parchment sinks

# ACQUI®

The Acqui® Collection is named for the Italian city of Acqui Terme, famous for centuries for its thermal springs and spas. It captures the classical essence of the lavish and ornate architecture of the Grand Spa hotels of the Belle Époque, when spa-travel was the trend. This Collection takes a decorative stance, with its distinctive curved spout and rich detailing. The choice of finishes and cross handles or levers creates combinations to emphasize personal style for a one-of-a-kind look for the kitchen.



A1458LMWSPN

### Handle Options



*Metal Lever*  
LM



*Cross Handle*  
XM



*Porcelain Lever*  
LP

### Available Finishes:



*Polished Chrome*  
APC



*Polished Nickel*  
PN



*Satin Nickel*  
STN



*Italian Brass*  
IB



*Tuscan Brass®*  
TCB

See product page for available finishes



KITCHEN & BAR FAUCETS



A1458WS  
page 34



A1456WS  
page 34



A1680  
page 34



A1679WS  
page 34



A3608WS  
page 35

FILTRATION / OTHER



A1451  
page 37



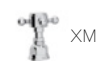
A1445  
page 37



AKIT1435  
page 35



GKIT1445  
page 36





See product page for available finishes.

SOAP DISPENSERS



**LS650C**  
page 37



**LS850P**  
page 37

AIR SWITCH



**AS450**  
page 38



**AS550**  
page 38

SINKS



**AL3220AF1**  
page 5



**6497**  
page 5



**RC3017**  
Shaws® Price Book



**RC3618**  
Shaws® Price Book



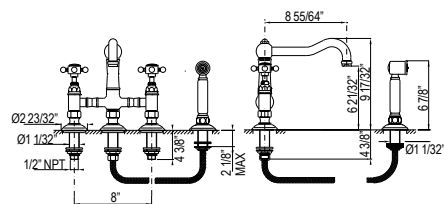
**RGK3016**  
page 17



**RUWKIT36162**  
page 20



### A1458WS Acqui® Bridge Kitchen Faucet With Side Spray

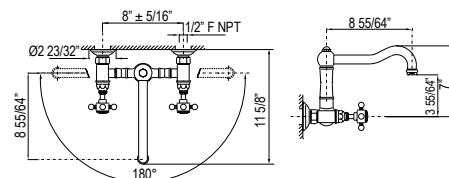


- Single-spray functionality
- 1.5 GPM at 60 PSI (CEC compliant)
- 11" spout available, order separate part # C7445/11

#### Suggested Retail Price

Handle	APC	PN	STN	IB	TCB	
A1458LMWS	--2	1242	1490	1757	1764	1764
A1458LPWS	--2	1242	1490	1757	1764	1764
A1458XMWS	--2	1242	1490	1757	1764	1764

### A1456 Acqui® Wall Mount Bridge Kitchen Faucet With Column Spout

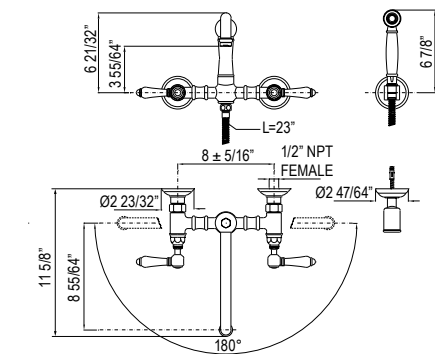


- Single-spray functionality
- 1.5 GPM at 60 PSI (CEC compliant)
- 11" spout available, order separate part # C7445/11
- 2" straight union extensions available, order part # C7205EXT+FINISH for a set of two.

#### Suggested Retail Price

Handle	APC	PN	STN	IB	TCB	
A1456LM	--2	785	942	1064	1116	1116
A1456LP	--2	785	942	1064	1116	1116
A1456XM	--2	785	942	1064	1116	1116

### A1456WS Acqui® Wall Mount Bridge Kitchen Faucet With Sidespray And Column Spout

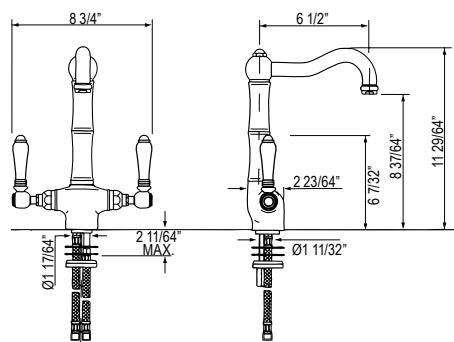


- Single-spray functionality
- 1.5 GPM at 60 PSI (CEC compliant)
- 11" spout available, order separate part # C7445/11
- 2" straight union extensions available, order part # C7205EXT+FINISH for a set of two.

#### Suggested Retail Price

Handle	APC	PN	STN	IB	TCB	
A1456LMWS	--2	1551	1861	2101	2202	2202
A1456LPWS	--2	1551	1861	2101	2202	2202
A1456XMWS	--2	1551	1861	2101	2202	2202

### A1680 Acqui® Two Handle Bar/Food Prep Kitchen Faucet

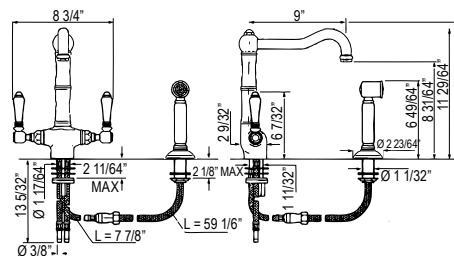


- Single-spray functionality
- 1.5 GPM at 60 PSI (CEC compliant)
- 4" deep deck extension kit, order part # C7555EXT
- Matches kitchen faucet A1679

#### Suggested Retail Price

Handle	APC	PN	STN	IB	TCB	
A1680LM	--2	752	903	1046	1069	1069
A1680LP	--2	752	988	1046	1069	1069

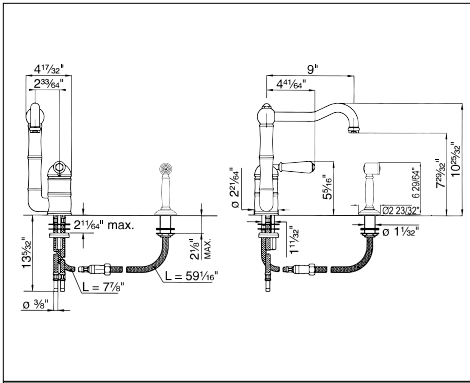
### A1679WS Acqui® Two Handle Kitchen Faucet With Side Spray



- Single-spray functionality
- 1.5 GPM at 60 PSI (CEC compliant)
- 4" deep deck extension kit, order part # C7555EXT
- Matches bar faucet A1680

#### Suggested Retail Price

Handle	APC	PN	STN	IB	TCB	
A1679LMWS	--2	940	1128	1309	1335	1335
A1679LPWS	--2	940	1128	1309	1335	1335

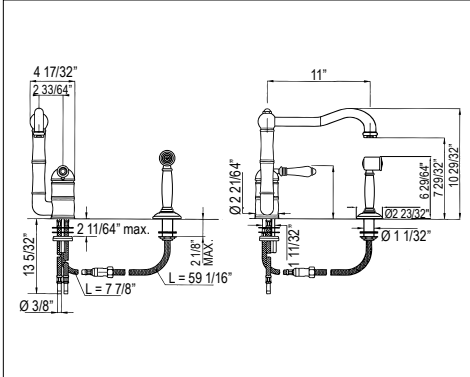


**A3608WS Acqui® Kitchen Faucet With Side Spray**



Handle	Suggested Retail Price					
	APC	PN	STN	IB	TCB	
A3608LMWS	-2	1005	1206	1260	1427	1427
A3608LPWS	-2	1005	1206	1260	1427	1427

- Single-spray functionality
- 1.5 GPM at 60 PSI (CEC compliant)
- 4" deep deck extension kit, order part # C7555EXT

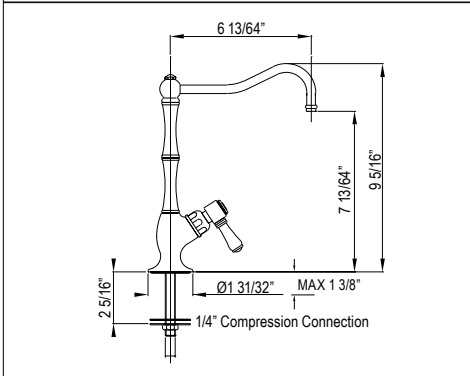


**A3608/11WS Acqui® Extended Spout Kitchen Faucet With Side Spray**



Handle	Suggested Retail Price					
	APC	PN	STN	IB	TCB	
A3608/11LMWS	-2	1005	1206	1260	1427	1427
A3608/11LPWS	-2	1005	1206	1260	1427	1427

- 11" extended spout reach
- Single-spray functionality
- 1.5 GPM at 60 PSI (CEC compliant)
- 4" deep deck extension kit, order part # C7555EXT

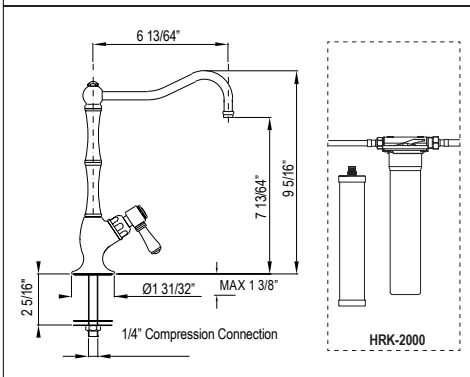


**A1435 Acqui® Filter Kitchen Faucet**



Handle	Suggested Retail Price								
	APC	PN	STN	MB	IB	RG	TCB	ULB	
A1435LM	-2	407	489	590	572	590	631	590	572
A1435LP	-2	407	489	590	530	590		590	
A1435XM	-2	407	489	590	530	590		590	590

- May be used with HRK-2000 inline filter system
- Not suitable for reverse osmosis systems or instant hot systems
- .5 GPM at 45 PSI (CEC compliant)

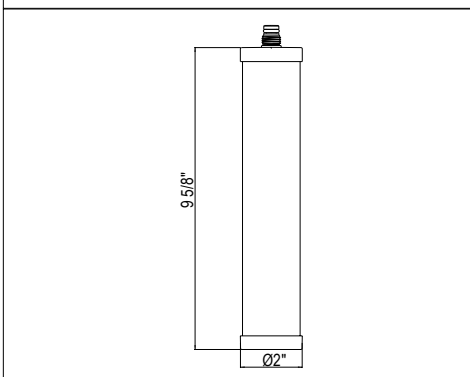


**AKIT1435 Acqui® Filter Kitchen Faucet Kit**



Handle	Suggested Retail Price							
	APC	PN	STN	IB	TCB	ULB	MB	
AKIT1435LM	-2	1046	1128	1229	1229	1229	1211	
AKIT1435LP	-2	1046	1128	1229	1229	1229	1169	
AKIT1435XM	-2	1046	1128	1229	1229	1229		

- .5 GPM at 45 PSI (CEC compliant)
- Includes HRK-2000 filtration system

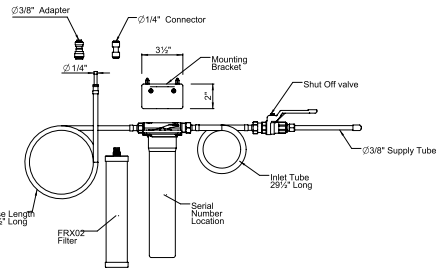


**HRF-1000 Arolla™ Replacement Filter Cartridge**



Handle	Suggested Retail Price	
	\$	
HRF-1000	106	

- Replacement cartridge for HRK-2000 filter system
- Recommend changing filter every 6 months or 1,000 gallons



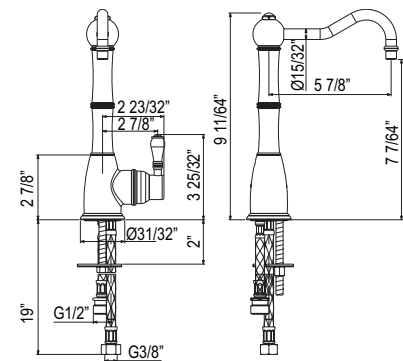
**HRK-2000** Arolla™ Filtration System With Cartridge



**Suggested Retail Price**

	\$
HRK-2000	639

- Includes cartridge, housing and connection hoses
- Filter faucet not included
- Recommend changing filter every 6 months or 1,000 gallons
- For replacement filter cartridge, order HRF-1000: \$106
- Recommend changing filter system every 3 years due to constant water pressure on the inlet



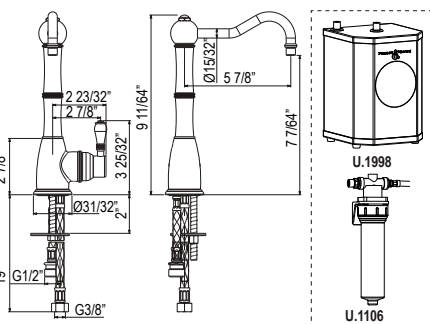
**G1445** Acqui® Hot Water Dispenser



**Suggested Retail Price**

Handle	APC	PN	STN	MB	IB	TCB	ULB
G1445LM __-2	439	568	634	634	675	634	634

- 1.2 GPM at 45 PSI (CEC compliant)
- For use with U.1998 high performance hot water tank and U.1106 filter



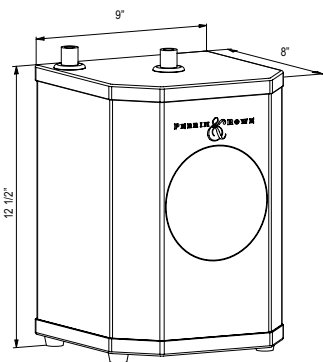
**GKIT1445** Acqui® Hot Water Dispenser, Tank And Filter Kit



**Suggested Retail Price**

Handle	APC	PN	STN	MB	IB	TCB	ULB
GKIT1445LM __-2	1681	1810	1876	1876	1917	1876	1876

- 5 GPM at 45 PSI (CEC compliant)
- Order U.PRF1 for hot water replacement filter cartridge
- Includes U.1998 Hot water tank and U.1106 filter system



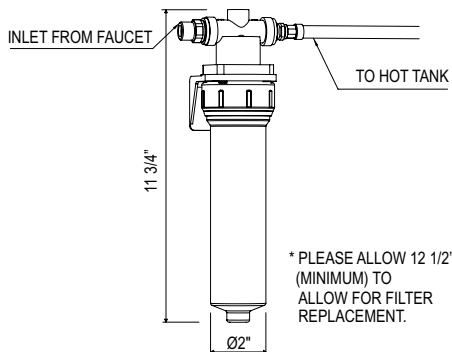
**U.1998** High Performance Hot Water Tank



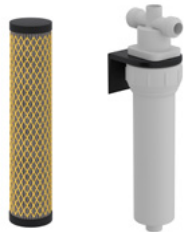
**Suggested Retail Price**

	\$
U.1998	887

- 3-Year limited warranty
- Not compatible with ISE type dispensers



**U.1106** Hot Water Filtration System



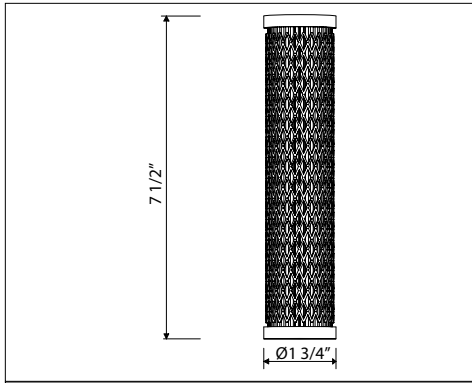
**Suggested Retail Price**

	\$
U.1106	355

- Includes cartridge, housing and connection hoses
- Filter faucet not included
- For replacement filter cartridge, order U.PRF1: \$123
- Recommend changing filter every 6 months or 1,000 gallons

\* PLEASE ALLOW 12 1/2" (MINIMUM) TO ALLOW FOR FILTER REPLACEMENT.





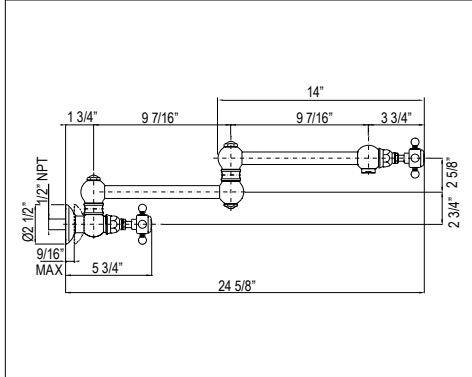
**U.PR.F1 Hot Water Replacement Filter Cartridge**



**Suggested Retail Price**

	\$
U.PR.F1	123

- Designed for use with U.1106 and U.1408 hot water filtration systems
- Recommend changing filter every 6 months or 1,000 gallons



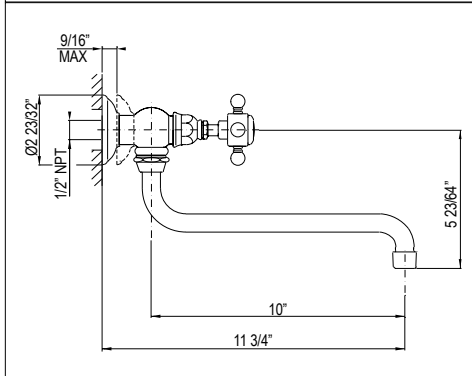
**A1451 Pot Filler**



**Suggested Retail Price**

Handle	APC	PN	STN	IB	TCB	ULB
A1451LM _-2	1137	1364	1449	1615	1615	1615
A1451LP _-2	1137	1364	1449	1615	1615	1615
A1451X _-2	1137	1364	1449	1615	1615	1615
A1451XM _-2	1137	1364	1449	1615	1615	1615

- Folds away when not in use
- 1.5 GPM at 60 PSI (CEC compliant)



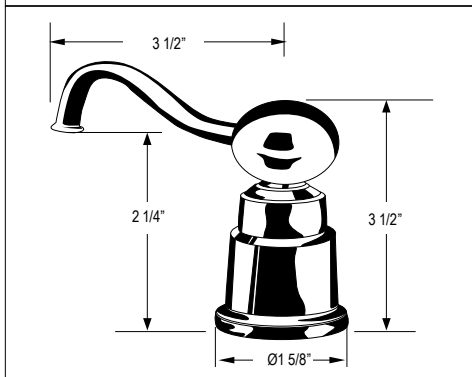
**A1445 Pot Filler**



**Suggested Retail Price**

Handle	APC	PN	STN	IB	TCB
A1445X _-2	349	418	484	496	496
A1445XM _-2	349	418	484	496	496

- Folds away when not in use
- 1.5 GPM at 60 PSI (CEC compliant)



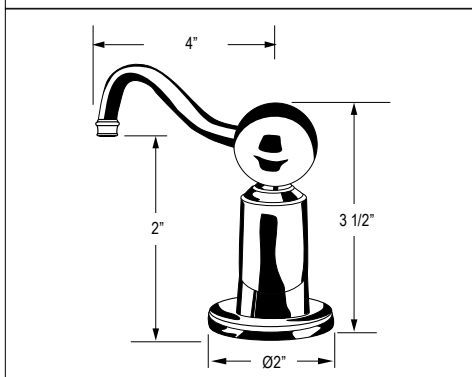
**LS650C Soap Dispenser**



**Suggested Retail Price**

	APC	PN	STN	RG	TCB
LS650C _-	253	303	316	415	359

- Brass construction
- 12 fluid ounce bottle capacity
- Top fill
- Deep deck extension available, order part: LS850PEXT



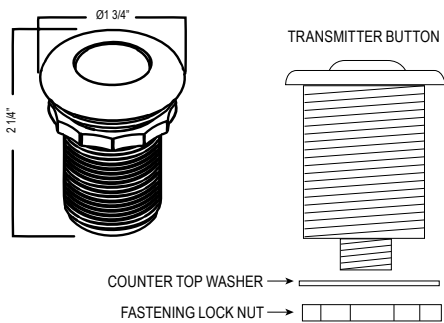
**LS850P Soap Dispenser**



**Suggested Retail Price**

	APC	PN	STN	MB	IB	ULB
LS850P _-	314	376	392	418	445	470

- Brass construction
- 12 fluid ounce bottle capacity
- Top fill



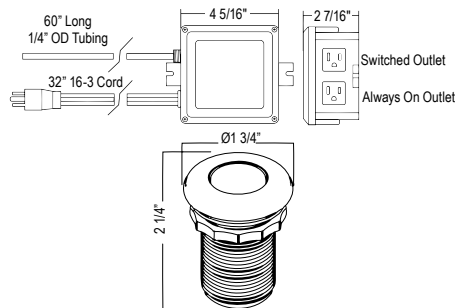
### AS425 Waste Disposal Air Switch Button



#### Suggested Retail Price

	APC	PN	STN	SS	MB	AG	IB	SG	TCB	ULB
AS425 __	100	120	125	110	130	142	142	321	142	142

- Remote on/off air switch button for activating garbage disposals
- Solution for island countertops or where an electrical switch is not available



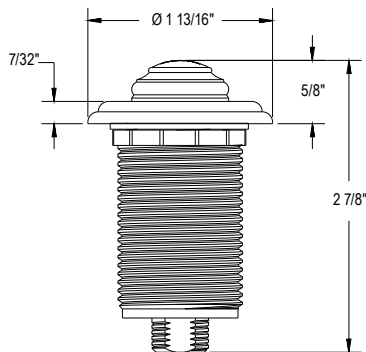
### AS450 Waste Disposal Control Box With Air Switch Button



#### Suggested Retail Price

	APC	PN	STN	SS	MB	AG	IB	SG	TCB	ULB
AS450 __	301	361	376	311	391	349	428	522	428	428

- Remote on/off air switch button for activating garbage disposals
- Solution for island countertops or where an electrical switch is not available
- Control box with mounting hardware included



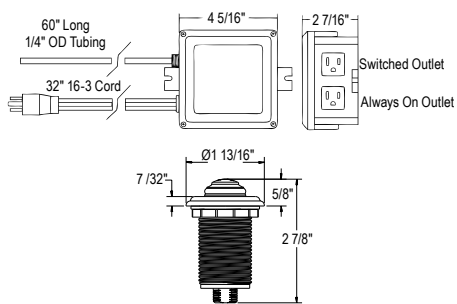
### AS525 Waste Disposal Air Switch Button



#### Suggested Retail Price

	APC	PN	STN	MB	IB	TCB	ULB
AS525 __	156	187	195	203	221	221	221

- Includes ROHL branding on top of button
- Remote on/off air switch button for activating garbage disposals



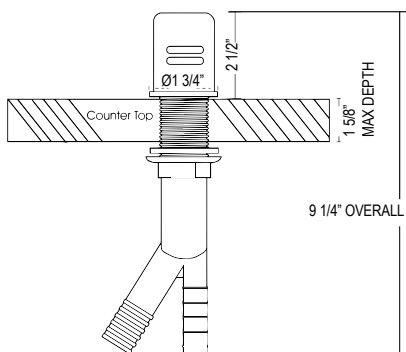
### AS550 Waste Disposal Control Box With Air Switch Button



#### Suggested Retail Price

	APC	PN	STN	MB	IB	TCB	ULB
AS550 __	357	428	446	464	507	507	507

- Includes ROHL branding on top of button
- Remote on/off air switch button for activating garbage disposals
- Control box with mounting hardware included



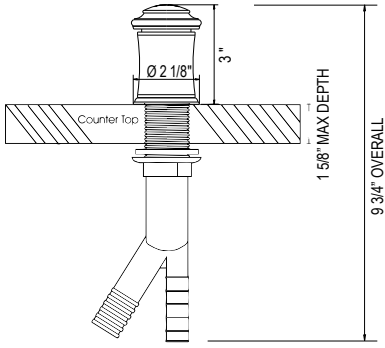
### AG600 Air Gap



#### Suggested Retail Price

	AG	APC	PN	STN	SS	MB	IB	SG	TCB	ULB
AG600 __	100	71	85	88	90	92	100	375	100	100

- Prevents contaminated sink water from entering the dishwasher



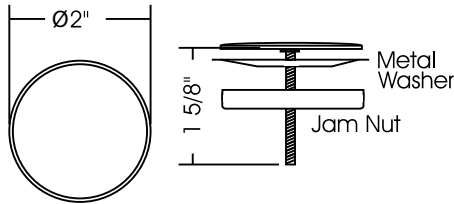
**AG700 Air Gap**



**Suggested Retail Price**

	APC	PN	STN	MB	IB	TCB
AG700 _ _	187	224	234	243	265	265

- Includes ROHL branding on top of air gap
- Prevents contaminated sink water from entering the dishwasher



**SHC-1 Sink Hole Cover**



**Suggested Retail Price**

	APC	PN	STN	MB	IB	BK	WH
SHC-1 _ _	18	42	42	30	98	30	30

- Biscuit coordinates with Shaws Fireclay Parchment sinks

1983

ACQUI

CAMPO

CINQUANTA

ECLISSI

GOTHAM

GRACELINE

LOMBARDIA

LUX

MYRINA

PATRIZIA

PIRELLONE

QUARTILE





# CAMPO™

The Campo™ Collection is named for the Piazza del Campo in Siena, Italy. Here a vast system of conduits and aqueducts, built in 1419, converged in the famous Fonte Gaia, or Fountain of the World. Campo carries through this inspiration in every detail. From the base of the neck, to the crosshatch knurling on the spout, to handles modeled after valve wheels, Campo brilliantly reimagines the industrial design system used in conduits. Campo's clean, minimalist design is a statement-making stand-out, perfect for kitchens with modern or transitional panache.



A3358IWWSIB

### Handle Options

*Industrial Metal Wheel  
IW**Industrial Metal Lever  
IL*

### Available Finishes:

*Polished Chrome  
APC**Polished Nickel  
PN**Satin Nickel  
STN**Matte Black  
MB**Italian Brass  
IB**Tuscan Brass®  
TCB**Unlacquered Brass  
ULB*

See product page for available finishes



KITCHEN & BAR FAUCETS



A3431 page 44



NEW CP56D1 page 44



A3358ILWS page 44



A3358IWWS page 44

FILTRATION / OTHER



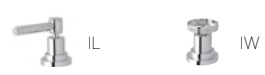
QL66 page 46



RKIT7517 page 45



GKIT7545 page 45



SOAP DISPENSERS



LS450  
page 47



LS2150  
page 47



LS950C  
page 46

AIR SWITCH



AS450  
page 48



AS550  
page 48

SINKS



6337  
page 6



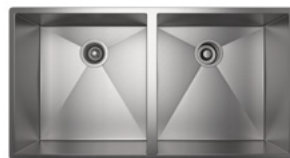
6497  
page 5



MS3018  
Shaws® Price Book



UM3018  
Shaws® Price Book



RSS3518  
page 16



RSS3318  
page 15

1983

ACQUI

CAMPO

CINQUANTA

ECLISSI

GOTHAM

GRACELINE

LOMBARDIA

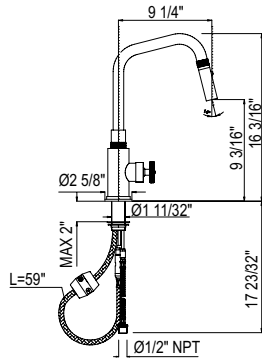
LUX

MYRINA

PATRIZIA

PIRELLONE

QUARTILE



**CP56D1 Campo™ Pull-Down Kitchen Faucet**

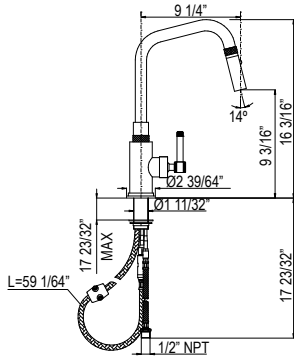


NEW

**Suggested Retail Price**

	APC	PN	STN	MB	IB	TCB	ULB
CP56D1IW __	1142	1370	1427	1484	1621	1621	1621

- Water activates by pushing handle inwards toward spout
- Dual-spray functionality with stream and spray settings
- 1.8 GPM at 60 PSI (CEC compliant)
- Requires 2 1/2" clearance from backsplash to center of faucet hole



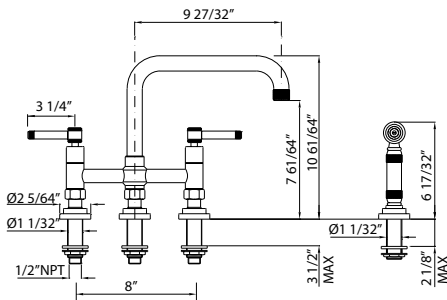
**A3431 Campo™ Pull-Down Kitchen Faucet**



**Suggested Retail Price**

Handle	APC	PN	STN	MB	IB	TCB	ULB
A3431IL __-2	983	1180	1313	1313	1396	1396	1396

- Water activates by pushing handle inwards toward spout
- Dual-spray functionality with stream and spray settings
- 1.8 GPM at 60 PSI (CEC compliant)
- Requires 2 1/2" clearance from backsplash to center of faucet hole



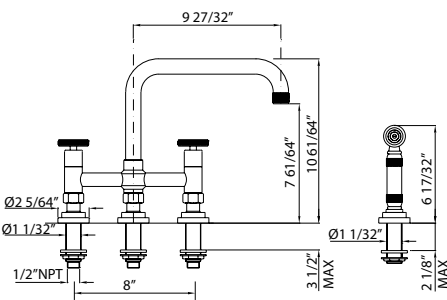
**A3358ILWS Campo™ Bridge Kitchen Faucet With Side Spray**



**Suggested Retail Price**

Handle	APC	PN	STN	MB	IB	TCB	ULB
A3358ILWS __-2	1260	1512	1693	1693	1791	1791	1791

- Single spray functionality
- 1.5 GPM at 60 PSI (CEC compliant)



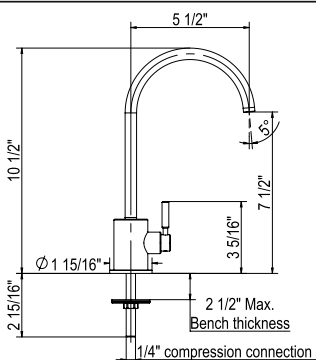
**A3358IWWS Campo™ Bridge Kitchen Faucet With Side Spray**



**Suggested Retail Price**

Handle	APC	PN	STN	MB	IB	TCB	ULB
A3358IWWS __-2	1260	1512	1693	1693	1791	1791	1791

- Single spray functionality
- 1.5 GPM at 60 PSI (CEC compliant)



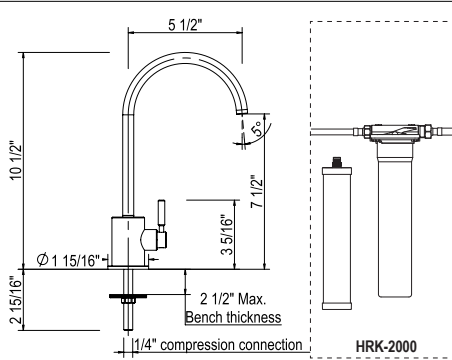
**R7517 Lux™ Filter Kitchen Faucet**



**Suggested Retail Price**

	APC	PN	STN	SS	MB	AG	SG	ULB
R7517 __	314	376	393	399	408	444	444	444

- May be used with HRK-2000 inline filter system
- Not suitable for reverse osmosis systems or instant hot systems
- .5 GPM at 45 PSI (CEC compliant)



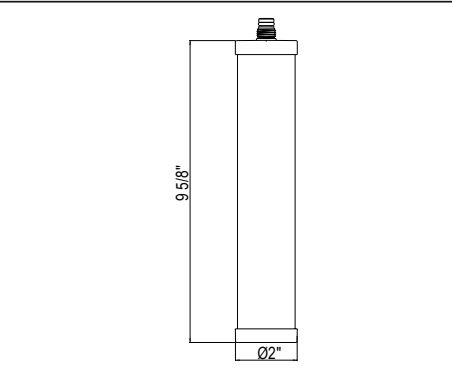
### RKIT7517 Lux™ Filter Kitchen Faucet Kit



#### Suggested Retail Price

	APC	PN	STN	SS	MB	AG	S6	ULB
RKIT7517	953	1015	1032	1038	1047	1083	1083	1083

- .5 GPM at 45 PSI (CEC compliant)
- Includes HRK-2000 filtration system



### HRF-1000 Arolla™ Replacement Filter Cartridge

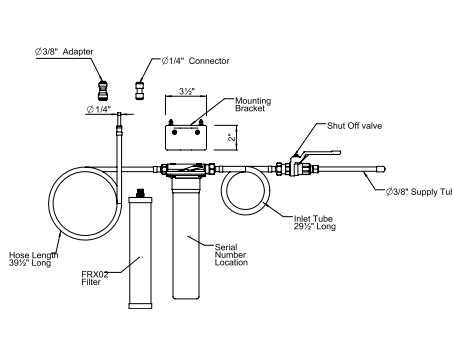


#### Suggested Retail Price

	\$
HRF-1000	106

- Replacement cartridge for HRK-2000 filter system
- Recommend changing filter every 6 months or 1,000 gallons

PERRIN & ROWE  
ROHL



### HRK-2000 Arolla™ Filtration System With Cartridge

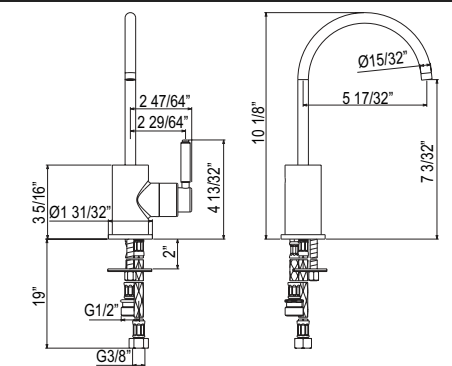


#### Suggested Retail Price

	\$
HRK-2000	639

- Includes cartridge, housing and connection hoses
- Filter faucet not included
- Recommend changing filter every 6 months or 1,000 gallons
- For replacement filter cartridge, order HRF-1000: \$106
- Recommend changing filter system every 3 years due to constant water pressure on the inlet

PERRIN & ROWE  
ROHL



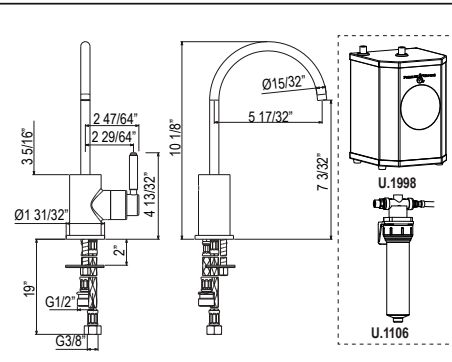
### G7545 Lux™ Hot Water Dispenser



#### Suggested Retail Price

Handle	APC	PN	STN	MB	TCB
G7545LM	-2	331	428	634	634

- 1.2 GPM at 45 PSI (CEC compliant)
- For use with U.1998 high performance hot water tank and U.1106 filter



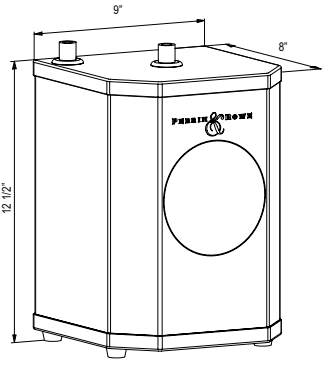
### GKIT7545 Lux™ Hot Water Dispenser, Tank And Filter Kit



#### Suggested Retail Price

Handle	APC	PN	STN	MB	TCB
GKIT7545LM	-2	1573	1670	1876	1876

- .5 GPM at 45 PSI (CEC compliant)
- Order U.PRF1 for hot water replacement filter cartridge
- Includes U.1998 Hot water tank and U.1106 filter system

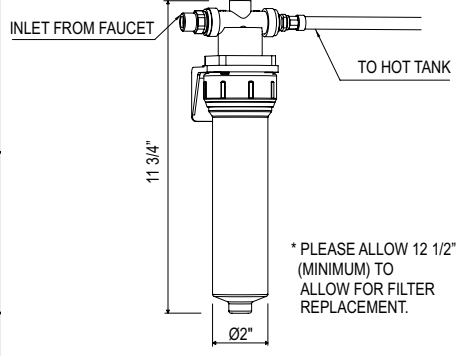


**U.1998 High Performance Hot Water Tank**



Suggested Retail Price	
	\$
U.1998	887

- 3-Year limited warranty
- Not compatible with ISE type dispensers

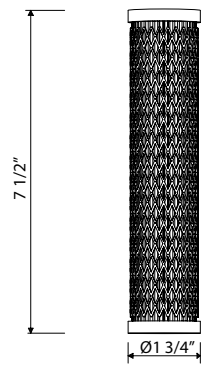


**U.1106 Hot Water Filtration System**



Suggested Retail Price	
	\$
U.1106	355

- Includes cartridge, housing and connection hoses
- Filter faucet not included
- For replacement filter cartridge, order U.PRF1: \$123
- Recommend changing filter every 6 months or 1,000 gallons

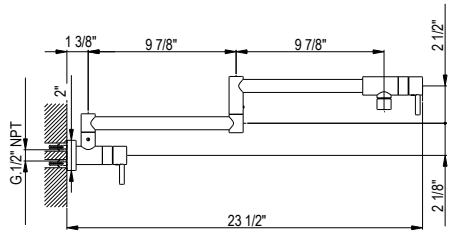


**U.PRF1 Hot Water Replacement Filter Cartridge**



Suggested Retail Price	
	\$
U.PRF1	123

- Designed for use with U.1106 and U.1408 hot water filtration systems
- Recommend changing filter every 6 months or 1,000 gallons

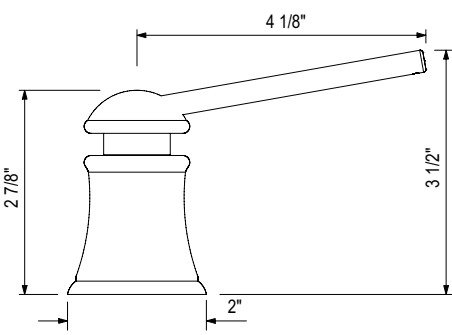


**QL66 Modern Pot Filler**



Suggested Retail Price						
Handle	APC	PN	STN	MB	ULB	
QL66L-_-_-2	1484	1780	2077	2077	2045	

- Dual quarter turn lever handle shut-offs, one at the wall and one at the outlet
- Folds away when not in use
- 1.8 GPM at 60 PSI (CEC compliant)

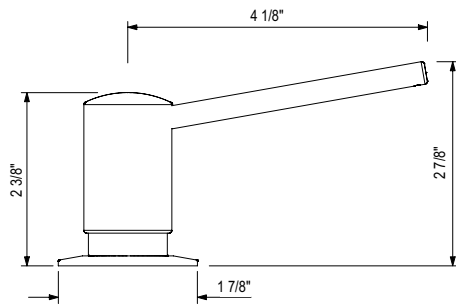


**LS950C Soap Dispenser**



Suggested Retail Price				
	APC	PN	STN	TCB
LS950C_-_-	190	228	237	270

- Brass construction
- 12 fluid ounce bottle capacity
- Top fill



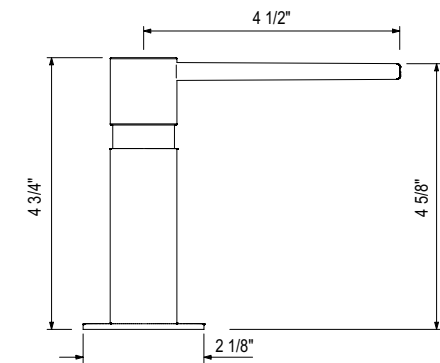
### LS450 Soap Dispenser



- Brass construction
- 12 fluid ounce bottle capacity
- Top fill

#### Suggested Retail Price

	APC	PN	STN	SS	MB
LS450L __	157	188	196	169	204



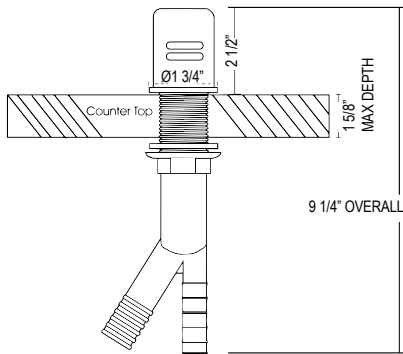
### LS2150 Soap Dispenser



- Brass construction
- 12 fluid ounce bottle capacity
- Top fill
- Deep deck extension available, order part: LS850PEXT

#### Suggested Retail Price

	APC	PN	STN	MB	SG
LS2150 __	430	516	537	559	671



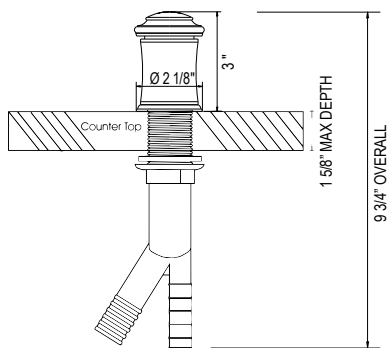
### AG600 Air Gap



- Prevents contaminated sink water from entering the dishwasher

#### Suggested Retail Price

	AG	APC	PN	STN	SS	MB	IB	SG	TCB	ULB
AG600 __	100	71	85	88	90	92	100	375	100	100



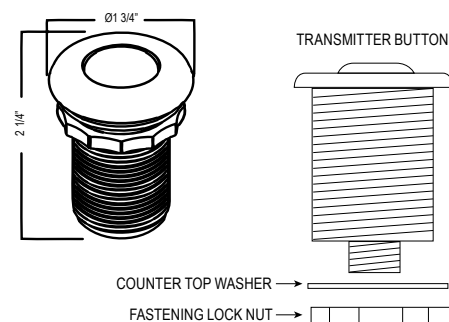
### AG700 Air Gap



- Includes ROHL branding on top of air gap
- Prevents contaminated sink water from entering the dishwasher

#### Suggested Retail Price

	APC	PN	STN	MB	IB	TCB
AG700 __	187	224	234	243	265	265



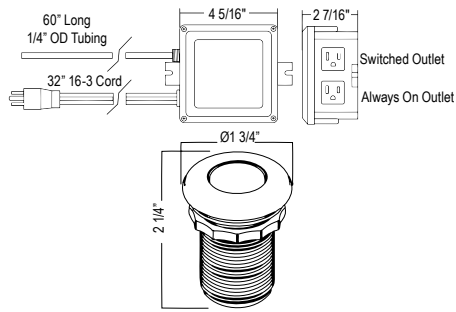
### AS425 Waste Disposal Air Switch Button



- Remote on/off air switch button for activating garbage disposals
- Solution for island countertops or where an electrical switch is not available

#### Suggested Retail Price

	APC	PN	STN	SS	MB	AG	IB	SG	TCB	ULB
AS425 __	100	120	125	110	130	142	142	321	142	142



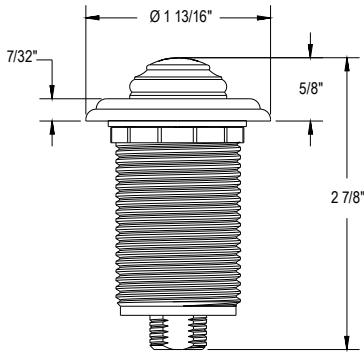
### AS450 Waste Disposal Control Box With Air Switch Button



#### Suggested Retail Price

	APC	PN	STN	SS	MB	AG	IB	SG	TCB	ULB
AS450 __	301	361	376	311	391	349	428	522	428	428

- Remote on/off air switch button for activating garbage disposals
- Solution for island countertops or where an electrical switch is not available
- Control box with mounting hardware included



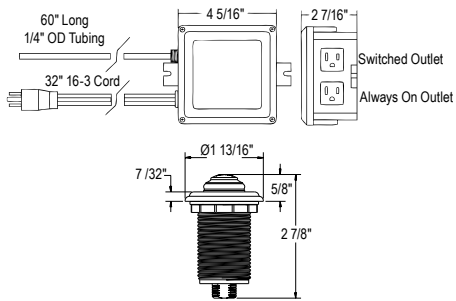
### AS525 Waste Disposal Air Switch Button



#### Suggested Retail Price

	APC	PN	STN	MB	IB	TCB	ULB
AS525 __	156	187	195	203	221	221	221

- Includes ROHL branding on top of button
- Remote on/off air switch button for activating garbage disposals



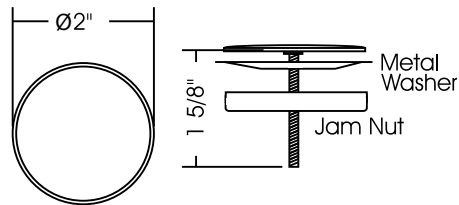
### AS550 Waste Disposal Control Box With Air Switch Button



#### Suggested Retail Price

	APC	PN	STN	MB	IB	TCB	ULB
AS550 __	357	428	446	464	507	507	507

- Includes ROHL branding on top of button
- Remote on/off air switch button for activating garbage disposals
- Control box with mounting hardware included



### SHC-1 Sink Hole Cover



#### Suggested Retail Price

	APC	PN	STN	MB	IB	BK	WH
SHC-1 __	18	42	42	30	98	30	30

- Biscuit coordinates with Shaws Fireclay Parchment sinks



# CINQUANTA™

Northern Italian villages are quintessentially quaint, full of traditional villas that still contain their original fixtures. These classic designs are reimaged for today in the Cinquanta™ Collection. An eye-catching single column design ending in a dramatic question-mark curve brings rustic Italian charm to traditional baths. Distinctive detailing and craft add authenticity and visual appeal. Cinquanta captures the spirit of the time, place, and singular beauty of its inspiration.



A3650LMWSSTN

## Handle Options



*Metal Lever*  
LM



*Porcelain Lever*  
LP

## Available Finishes:



*Polished Chrome*  
APC



*Polished Nickel*  
PN



*Satin Nickel*  
STN



*Italian Brass*  
IB



*Tuscan Brass®*  
TCB

See product page for available finishes



APC



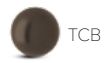
PN



STN



IB



TCB

KITCHEN FAUCET



A3650WS  
[page 52](#)

FILTRATION / OTHER



A1451  
[page 54](#)



A1445  
[page 54](#)



AKIT1435  
[page 52](#)



GKIT1445  
[page 53](#)



LP



LM

See product page for available finishes.

SOAP DISPENSERS



LS650C  
page 54



LS850P  
page 54

AIR SWITCH



AS450  
page 55



AS550  
page 55

SINKS



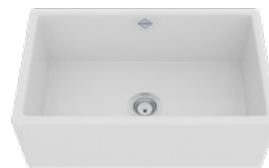
6307  
page 4



6337  
page 6



RC4018  
Shaws® Price Book



MS3018  
Shaws® Price Book



RSS3118  
page 16



RSS3018  
page 15

1983

ACQUI

CAMPO

CINQUANTA

ECLISSI

GOTHAM

GRACELINE

LOMBARDIA

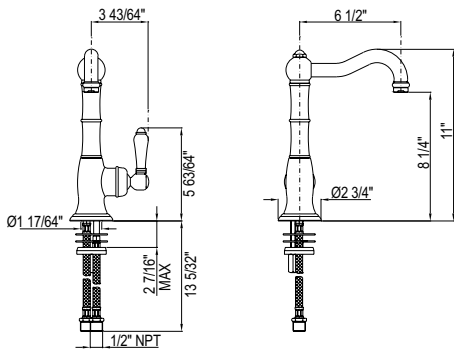
LUX

MYRINA

PATRIZIA

PIRELLONE

QUARTILE



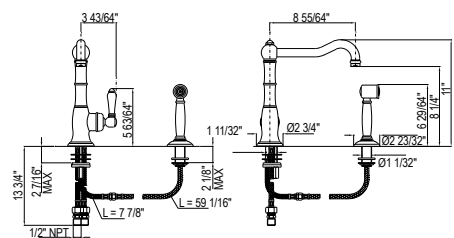
### A3650/6.5 Cinquanta™ Bar/Food Prep Kitchen Faucet



**Suggested Retail Price**

Handle	APC	PN	STN	IB	TCB
A3650/6.5LM __-2	970	1164	1213	1378	1378
A3650/6.5LP __-2	970	1275	1507	1939	1939

- Water activates by pushing handle inwards toward spout
- Single-spray functionality
- 1.5 GPM at 60 PSI (CEC compliant)
- Requires 2 1/2" clearance from backsplash to center of faucet hole
- 4" deep deck extension kit, order part # C7555EXT



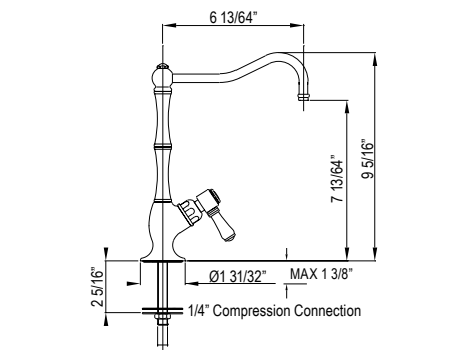
### A3650WS Cinquanta™ Kitchen Faucet With Side Spray



**Suggested Retail Price**

Handle	APC	PN	STN	IB	TCB
A3650LMWS __-2	1128	1354	1411	1602	1602
A3650LPWS __-2	1128	1354	1411	1602	1602

- Water activates by pushing handle inwards toward spout
- Single-spray functionality
- 1.5 GPM at 60 PSI (CEC compliant)
- Requires 2 1/2" clearance from backsplash to center of faucet hole
- 4" deep deck extension kit, order part # C7555EXT



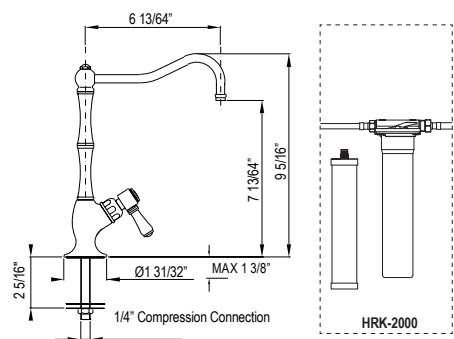
### A1435 Acqui® Filter Kitchen Faucet



**Suggested Retail Price**

Handle	APC	PN	STN	MB	IB	RG	TCB	ULB
A1435LM __-2	407	489	590	572	590	631	590	572
A1435LP __-2	407	489	590	530	590		590	
A1435XM __-2	407	489	590	530	590		590	590

- May be used with HRK-2000 inline filter system
- Not suitable for reverse osmosis systems or instant hot systems
- .5 GPM at 45 PSI (CEC compliant)



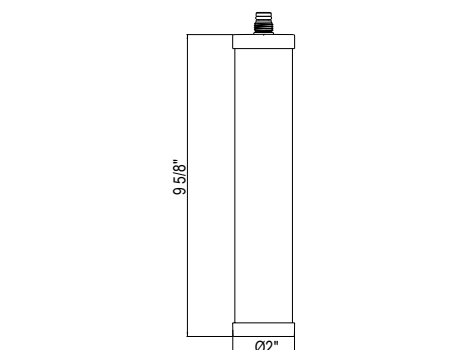
### AKIT1435 Acqui® Filter Kitchen Faucet Kit



**Suggested Retail Price**

Handle	APC	PN	STN	IB	TCB	ULB	MB
AKIT1435LM __-2	1046	1128	1229	1229	1229	1211	
AKIT1435LP __-2	1046	1128	1229	1229	1229		1169

- .5 GPM at 45 PSI (CEC compliant)
- Includes HRK-2000 filtration system



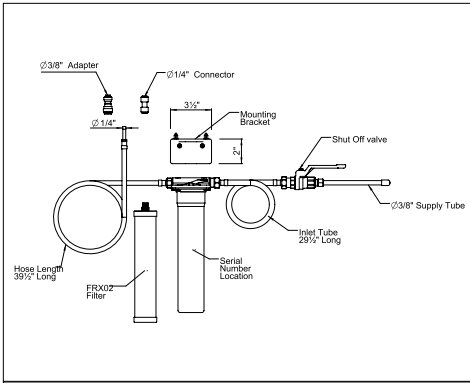
### HRF-1000 Arolla™ Replacement Filter Cartridge



**Suggested Retail Price**

	\$
HRF-1000	106

- Replacement cartridge for HRK-2000 filter system
- Recommend changing filter every 6 months or 1,000 gallons



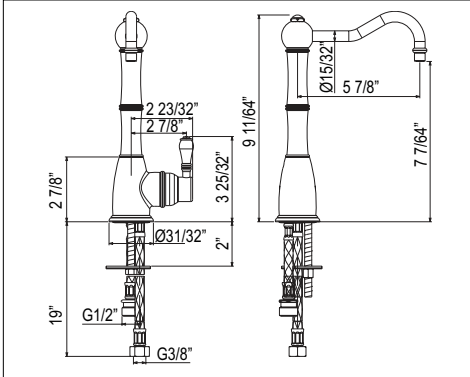
**HRK-2000 Arolla™ Filtration System With Cartridge**



**Suggested Retail Price**

	\$
HRK-2000	639

- Includes cartridge, housing and connecton hoses
- Filter faucet not included
- Recommend changing filter every 6 months or 1,000 gallons
- For replacement filter cartridge, order HRF-1000: \$106
- Recommend changing filter system every 3 years due to constant water pressure on the inlet



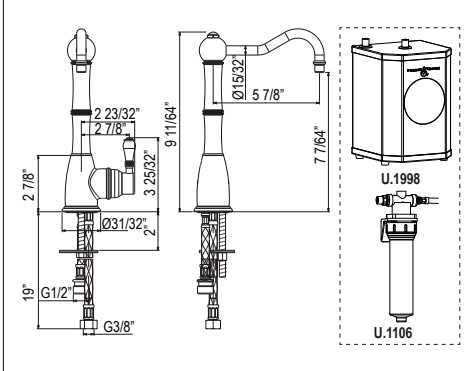
**G1445 Acqui® Hot Water Dispenser**



**Suggested Retail Price**

Handle	APC	PN	STN	MB	IB	TCB	ULB
G1445LM_-2	439	568	634	634	675	634	634

- 1.2 GPM at 45 PSI (CEC compliant)
- For use with U.1998 high performance hot water tank and U.1106 filter



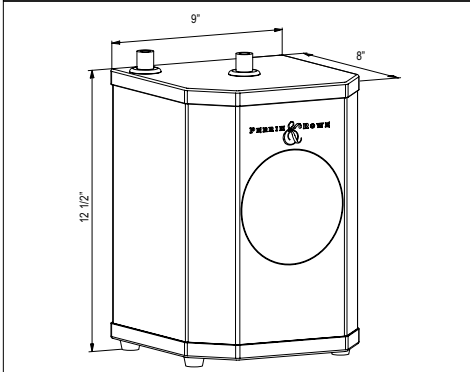
**GKIT1445 Acqui® Hot Water Dispenser, Tank And Filter Kit**



**Suggested Retail Price**

Handle	APC	PN	STN	MB	IB	TCB	ULB
GKIT1445LM_-2	1681	1810	1876	1876	1917	1876	1876

- .5 GPM at 45 PSI (CEC compliant)
- Order U.PRF1 for hot water replacement filter cartridge
- Includes U.1998 Hot water tank and U.1106 filter system



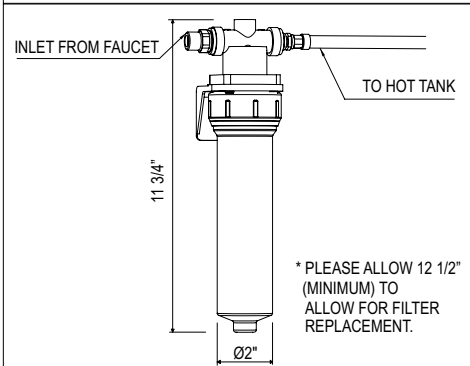
**U.1998 High Performance Hot Water Tank**



**Suggested Retail Price**

	\$
U.1998	887

- 3-Year limited warranty
- Not compatible with ISE type dispensers



**U.1106 Hot Water Filtration System**



**Suggested Retail Price**

	\$
U.1106	355

- Includes cartridge, housing and connecton hoses
- Filter faucet not included
- For replacement filter cartridge, order U.PRF1: \$123
- Recommend changing filter every 6 months or 1,000 gallons

\* PLEASE ALLOW 12 1/2" (MINIMUM) TO ALLOW FOR FILTER REPLACEMENT.



1983

ACQUI

CAMPO

CINQUANTA

ECLISSI

GOTHAM

GRACELINE

LOMBARDIA

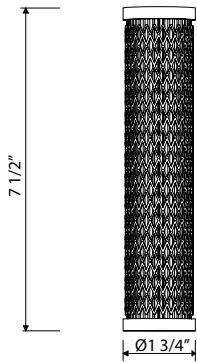
LUX

MYRINA

PATRIZIA

PIRELLONE

QUARTILE



**U.PRF1 Hot Water Replacement Filter Cartridge**

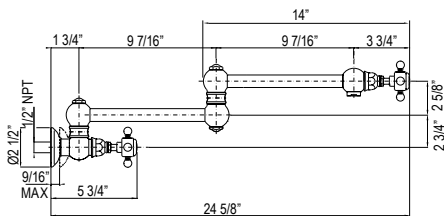


PERRIN & ROWE

**Suggested Retail Price**

	\$
U.PRF1	123

- Designed for use with U.1106 and U.1408 hot water filtration systems
- Recommend changing filter every 6 months or 1,000 gallons



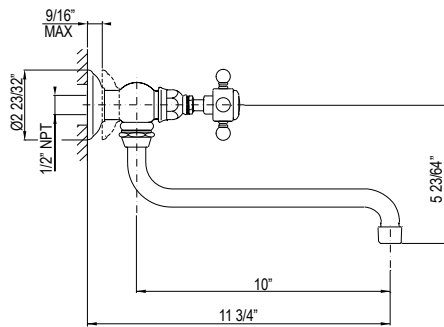
**A1451 Pot Filler**



**Suggested Retail Price**

Handle	APC	PN	STN	IB	TCB	ULB
A1451LM __ -2	1137	1364	1449	1615	1615	1615
A1451LP _ -2	1137	1364	1449	1615	1615	1615
A1451X __ -2	1137	1364	1449	1615	1615	1615
A1451XM __ -2	1137	1364	1449	1615	1615	1615

- Folds away when not in use
- 1.5 GPM at 60 PSI (CEC compliant)



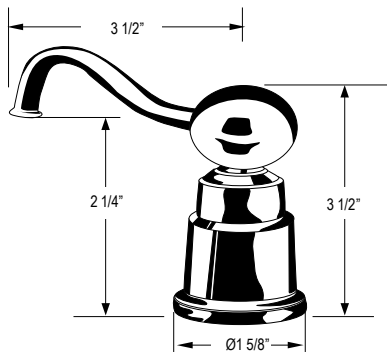
**A1445 Pot Filler**



**Suggested Retail Price**

Handle	APC	PN	STN	IB	TCB
A1445X __ -2	349	418	484	496	496
A1445XM __ -2	349	418	484	496	496

- Folds away when not in use
- 1.5 GPM at 60 PSI (CEC compliant)



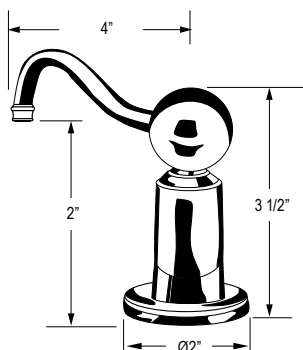
**LS650C Soap Dispenser**



**Suggested Retail Price**

	APC	PN	STN	RG	TCB
LS650C __	253	303	316	415	359

- Brass construction
- 12 fluid ounce bottle capacity
- Top fill
- Deep deck extension available, order part: LS850PEXT



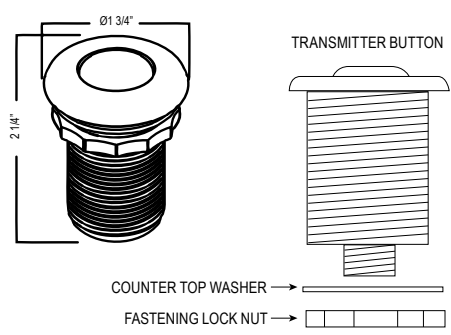
**LS850P Soap Dispenser**



**Suggested Retail Price**

	APC	PN	STN	MB	IB	ULB
LS850P __	314	376	392	418	445	470

- Brass construction
- 12 fluid ounce bottle capacity
- Top fill



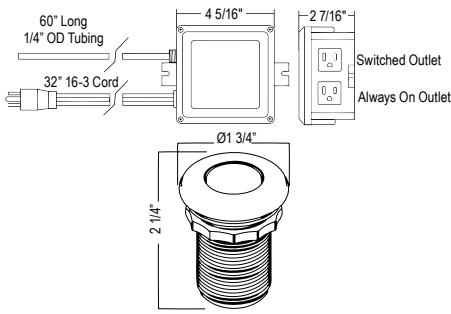
**AS425 Waste Disposal Air Switch Button**



**Suggested Retail Price**

	APC	PN	STN	SS	MB	AG	IB	SG	TCB	ULB
AS425 __	100	120	125	110	130	142	142	321	142	142

- Remote on/off air switch button for activating garbage disposals
- Solution for island countertops or where an electrical switch is not available



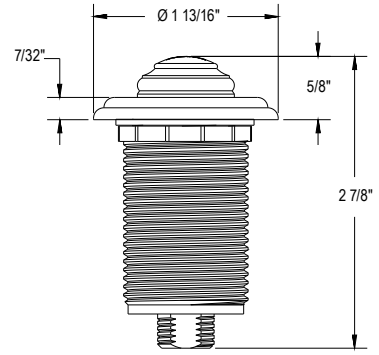
**AS450 Waste Disposal Control Box With Air Switch Button**



**Suggested Retail Price**

	APC	PN	STN	SS	MB	AG	IB	SG	TCB	ULB
AS450 __	301	361	376	311	391	349	428	522	428	428

- Remote on/off air switch button for activating garbage disposals
- Solution for island countertops or where an electrical switch is not available
- Control box with mounting hardware included



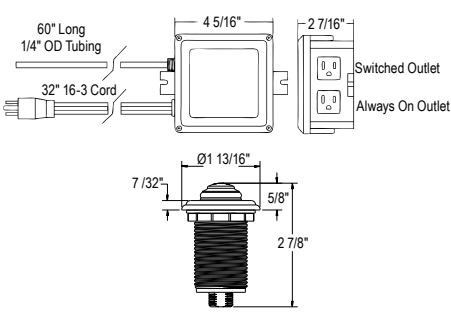
**AS525 Waste Disposal Air Switch Button**



**Suggested Retail Price**

	APC	PN	STN	MB	IB	TCB	ULB
AS525 __	156	187	195	203	221	221	221

- Includes ROHL branding on top of button
- Remote on/off air switch button for activating garbage disposals



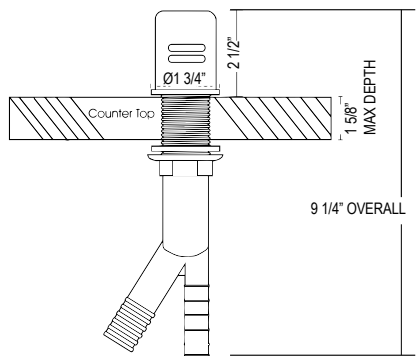
**AS550 Waste Disposal Control Box With Air Switch Button**



**Suggested Retail Price**

	APC	PN	STN	MB	IB	TCB	ULB
AS550 __	357	428	446	464	507	507	507

- Includes ROHL branding on top of button
- Remote on/off air switch button for activating garbage disposals
- Control box with mounting hardware included



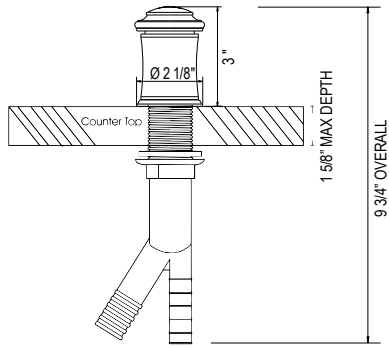
**AG600 Air Gap**



**Suggested Retail Price**

	AG	APC	PN	STN	SS	MB	IB	SG	TCB	ULB
AG600 __	100	71	85	88	90	92	100	375	100	100

- Prevents contaminated sink water from entering the dishwasher



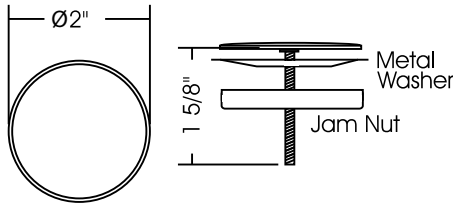
### AG700 Air Gap



#### Suggested Retail Price

	APC	PN	STN	MB	IB	TCB
AG700 __	187	224	234	243	265	265

- Includes ROHL branding on top of air gap
- Prevents contaminated sink water from entering the dishwasher



### SHC-1 Sink Hole Cover



#### Suggested Retail Price

	APC	PN	STN	MB	IB	BK	WH
SHC-1 __	18	42	42	30	98	30	30

- Biscuit coordinates with Shaws Fireclay Parchment sinks



# ECLISSI™

Something magical happens when the sun aligns with the moon. This astronomical phenomenon is the inspiration for the Eclissi™ Kitchen Collection. Eclissi, Italian for eclipse, has a modernist feel of simplicity that belies its true beauty. Each circle-shaped handle contains a smaller, inner circle, mirroring the meeting of the two luminaries. The Collection takes a bespoke approach, with numerous options for circle finishes for a multitude of handle combinations, as well as two spout designs, to make the design your own. Like their celestial inspirations, Eclissi shines beautifully in any space or style of kitchen décor.



EC55D1STN with EC81IWSNG

### Available handles:



EC81IWSNC  
Polished Chrome



EC81IWSNP  
Polished Nickel



EC81IWSTN  
Satin Nickel



EC81IWSNB  
Matte Black



EC81IWSNG  
Satin Gold



EC81IWSNW  
Matte White

### Available finishes:



Polished Chrome  
APC



Polished Nickel  
PN



Satin Nickel  
STN



Matte Black  
MB

See product page for available finishes



KITCHEN & BAR FAUCETS



EC65D1  
page 62



EC55D1  
page 62



EC60D1  
page 62



EC56D1  
page 62

FILTRATION / OTHER



QL66  
page 64



RKIT7517  
page 63



GKIT7545  
page 64

See product page for available finishes.

## SOAP DISPENSERS



LS450  
page 65



LS950C  
page 65



LS2150  
page 65

## AIR SWITCH



AS450  
page 65



AS550  
page 66

## SINKS



AL3620AF1  
page 6



6497  
page 5



RC3618  
Shaws® Price Book



MS3518  
Shaws® Price Book



RSA3018  
page 19



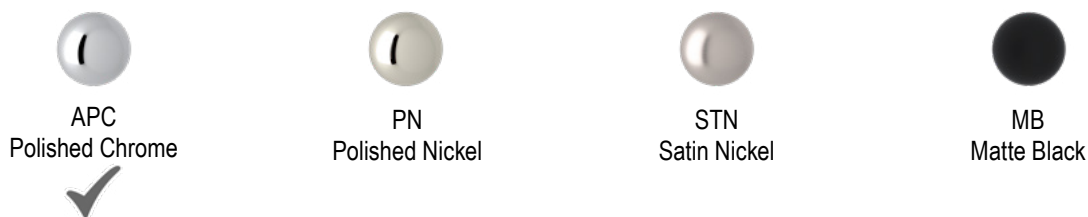
RUWKIT36161  
page 20

# HOW TO ORDER AN ECLISSI™ KITCHEN FAUCET

## STEP 1 - SELECT YOUR FAUCET



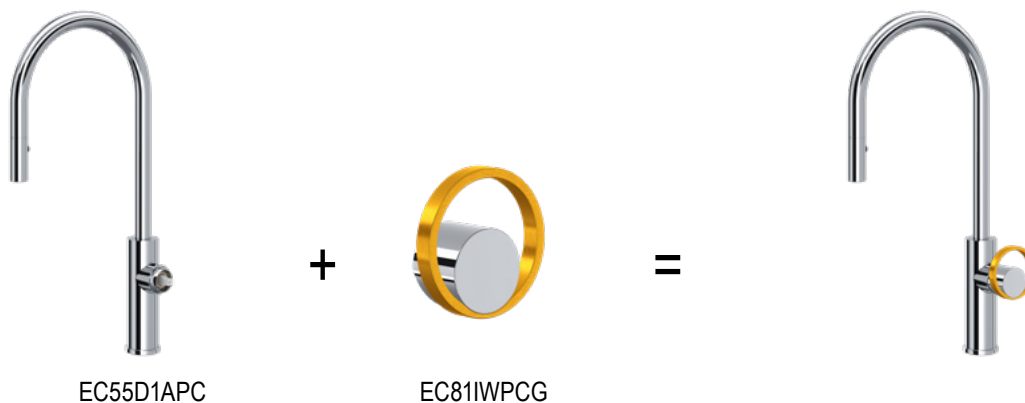
## STEP 2 - SELECT YOUR FAUCET FINISH



## STEP 3 - SELECT YOUR HANDLE



FOR COMPLETE PRODUCT, ORDER FAUCET AND HANDLE SEPARATELY



EC55D1APC

EC81IWPCG

## ECLISSI® KITCHEN FAUCET HANDLE SUGGESTIONS

## POLISHED CHROME

EC81IWAPC  
Polished ChromeEC81IWPCP  
Polished NickelEC81IWPCN  
Satin NickelEC81IWPCB  
Matte BlackEC81IWPCG  
Satin GoldEC81IWPCW  
Matte White

ACQUI

CAMPO

CINQUANTA

## POLISHED NICKEL

EC81IWPNC  
Polished ChromeEC81IWPN  
Polished NickelEC81IWPNN  
Satin NickelEC81IWPNB  
Matte BlackEC81IWPNG  
Satin GoldEC81IWPNW  
Matte White

ECLISSI

GOTHAM

GRACELINE

## SATIN NICKEL

EC81IWSNC  
Polished ChromeEC81IWSNP  
Polished NickelEC81IWSTN  
Satin NickelEC81IWSNB  
Matte BlackEC81IWSNG  
Satin GoldEC81IWSNW  
Matte White

LOMBARDIA

LUX

MYRINA

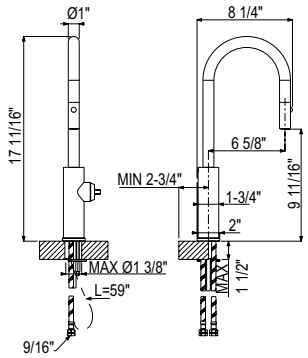
## MATTE BLACK

EC81IWMBC  
Polished ChromeEC81IWMBP  
Polished NickelEC81IWMBN  
Satin NickelEC81IWMB  
Matte BlackEC81IWMBG  
Satin GoldEC81IWMBW  
Matte White

PATRIZIA

PIRELLONE

QUARTILE



**EC65D1** Eclissi™ Pull-Down Bar/Food Prep Kitchen Faucet with C-Spout - Less Handle

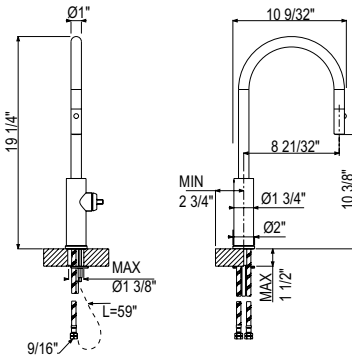


NEW

**Suggested Retail Price**

	APC	PN	STN	MB
EC65D1 __	698	838	873	908

- Handle required and sold separately. See EC81W handle for finish options
- Dual-spray functionality with stream and spray settings
- 1.75 GPM at 60 PSI (CEC compliant)
- Requires 2 1/2" clearance from backsplash to center of faucet hole



**EC55D1** Eclissi™ Pull-Down Kitchen Faucet with C-Spout - Less Handle

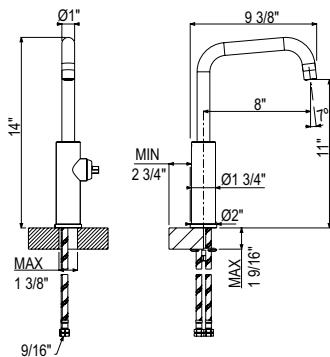


NEW

**Suggested Retail Price**

	APC	PN	STN	MB
EC55D1 __	698	838	873	908

- Handle required and sold separately. See EC81W handle for finish options
- Dual-spray functionality with stream and spray settings
- 1.75 GPM at 60 PSI (CEC compliant)
- Requires 2 1/2" clearance from backsplash to center of faucet hole



**EC60D1** Eclissi™ Bar/Food Prep Kitchen Faucet with U-Spout - Less Handle

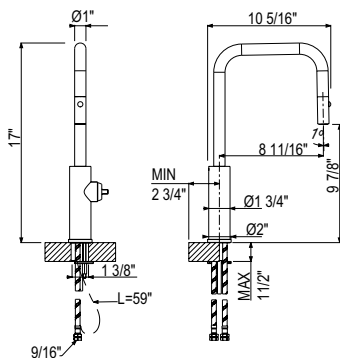


NEW

**Suggested Retail Price**

	APC	PN	STN	MB
EC60D1 __	548	658	685	713

- Handle required and sold separately. See EC81W handle for finish options
- Single-spray functionality
- 1.75 GPM at 60 PSI (CEC compliant)
- Requires 2 1/2" clearance from backsplash to center of faucet hole



**EC56D1** Eclissi™ Pull-Down Kitchen Faucet with U-Spout - Less Handle

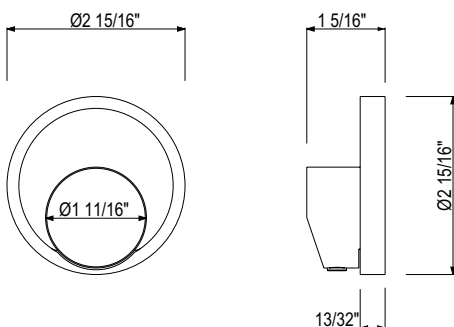


NEW

**Suggested Retail Price**

	APC	PN	STN	MB
EC56D1 __	698	838	873	908

- Handle required and sold separately. See EC81W handle for finish options
- Dual-spray functionality with stream and spray settings
- 1.75 GPM at 60 PSI (CEC compliant)
- Requires 2 1/2" clearance from backsplash to center of faucet hole



**EC81** Eclissi™ Kitchen Faucet Handle

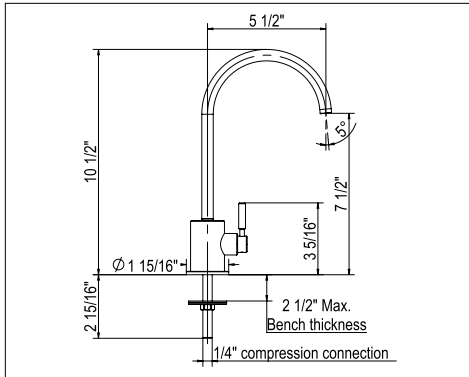


NEW

**Suggested Retail Price**

	APC	PN	STN	MB	PCB	PCG	PCN	MBC
EC81W __	100	100	100	100	100	100	100	100
	MBG	MBN	SNB	SNC	SNG	PCW	PNW	SNW
EC81W __	100	100	100	100	100	100	100	100
	MBW	MBP	PCP	PNB	PNN	PNC	SNP	PNG
EC81W __	100	100	100	100	100	100	100	100

- Required to complete Eclissi™ kitchen faucet



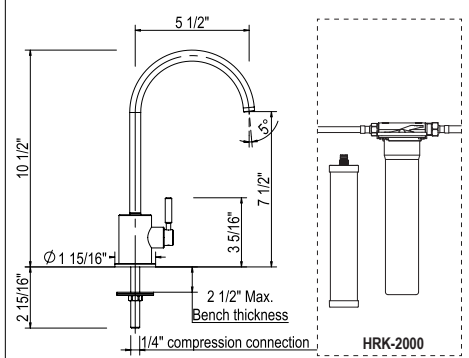
**R7517 Lux™ Filter Kitchen Faucet**



**Suggested Retail Price**

	APC	PN	STN	SS	MB	AG	SG	ULB
R7517 __	314	376	393	399	408	444	444	444

- May be used with HRK-2000 inline filter system
- Not suitable for reverse osmosis systems or instant hot systems
- .5 GPM at 45 PSI (CEC compliant)



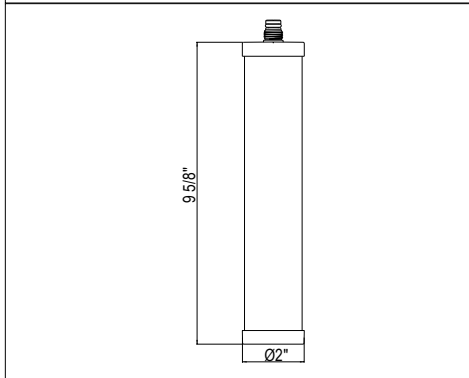
**RKIT7517 Lux™ Filter Kitchen Faucet Kit**



**Suggested Retail Price**

	APC	PN	STN	SS	MB	AG	SG	ULB
RKIT7517 __	953	1015	1032	1038	1047	1083	1083	1083

- .5 GPM at 45 PSI (CEC compliant)
- Includes HRK-2000 filtration system



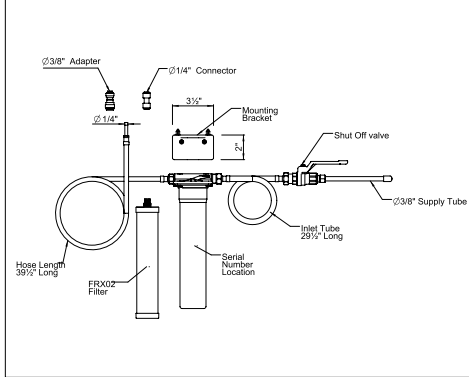
**HRF-1000 Arolla™ Replacement Filter Cartridge**



**Suggested Retail Price**

	\$
HRF-1000	106

- Replacement cartridge for HRK-2000 filter system
- Recommend changing filter every 6 months or 1,000 gallons



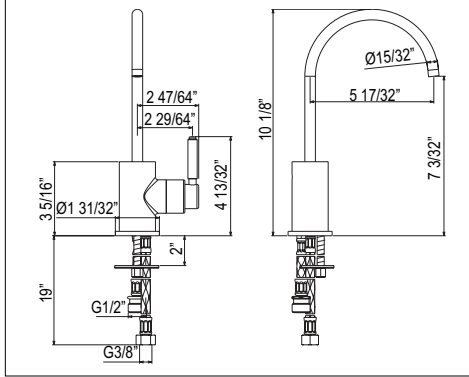
**HRK-2000 Arolla™ Filtration System With Cartridge**



**Suggested Retail Price**

	\$
HRK-2000	639

- Includes cartridge, housing and connection hoses
- Filter faucet not included
- Recommend changing filter every 6 months or 1,000 gallons
- For replacement filter cartridge, order HRF-1000: \$106
- Recommend changing filter system every 3 years due to constant water pressure on the inlet



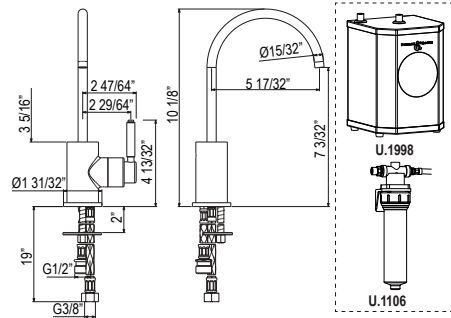
**G7545 Lux™ Hot Water Dispenser**



**Suggested Retail Price**

Handle	APC	PN	STN	MB	TCB
G7545LM __ -2	331	428	634	634	634

- 1.2 GPM at 45 PSI (CEC compliant)
- For use with U.1998 high performance hot water tank and U.1106 filter



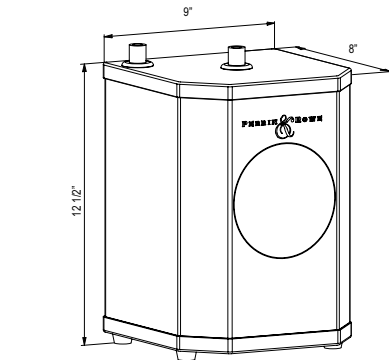
**GKIT7545 Lux™ Hot Water Dispenser, Tank And Filter Kit**

**Suggested Retail Price**

Handle	APC	PN	STN	MB	TCB
GKIT7545LM__-2	1573	1670	1876	1876	1876



- .5 GPM at 45 PSI (CEC compliant)
- Order U.PRF1 for hot water replacement filter cartridge
- Includes U.1998 Hot water tank and U.1106 filter system



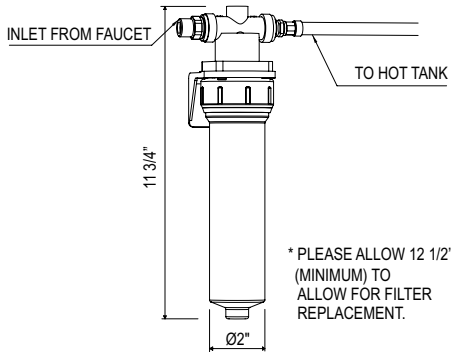
**U.1998 High Performance Hot Water Tank**

**Suggested Retail Price**

	\$
U.1998	887



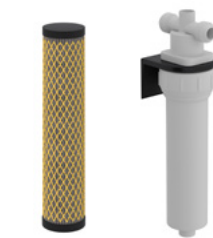
- 3-Year limited warranty
- Not compatible with ISE type dispensers



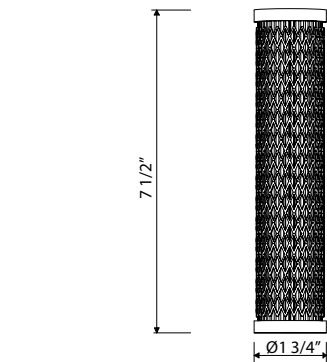
**U.1106 Hot Water Filtration System**

**Suggested Retail Price**

	\$
U.1106	355



- Includes cartridge, housing and connection hoses
- Filter faucet not included
- For replacement filter cartridge, order U.PRF1: \$123
- Recommend changing filter every 6 months or 1,000 gallons



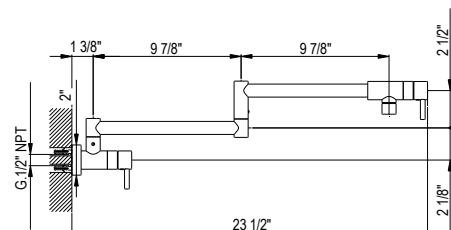
**U.PRF1 Hot Water Replacement Filter Cartridge**

**Suggested Retail Price**

	\$
U.PRF1	123



- Designed for use with U.1106 and U.1408 hot water filtration systems
- Recommend changing filter every 6 months or 1,000 gallons



**QL66 Modern Pot Filler**

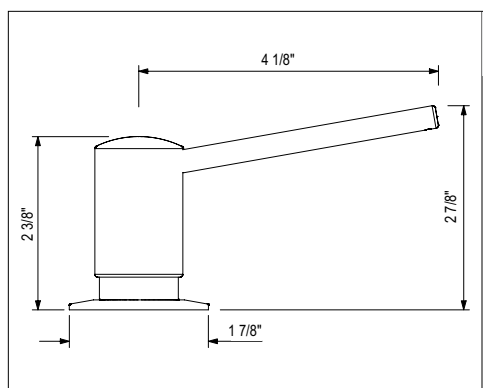
**Suggested Retail Price**

Handle	APC	PN	STN	MB	ULB
QL66L-__-2	1484	1780	2077	2077	2045




- Dual quarter turn lever handle shut-offs, one at the wall and one at the outlet
- Folds away when not in use
- 1.8 GPM at 60 PSI (CEC compliant)



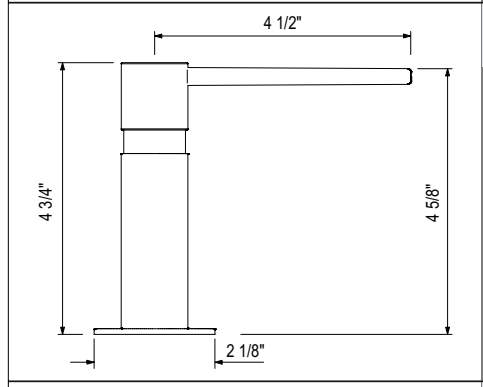


### LS450 Soap Dispenser




Suggested Retail Price					
	APC	PN	STN	SS	MB
LS450L __	157	188	196	169	204

- Brass construction
- 12 fluid ounce bottle capacity
- Top fill

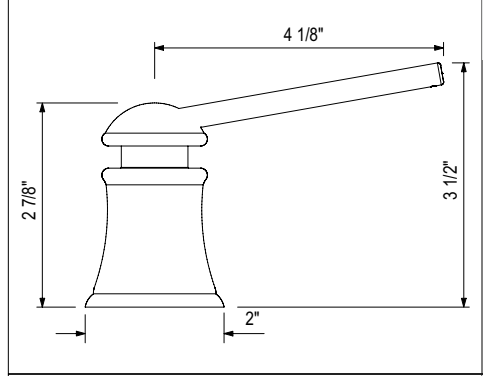


### LS2150 Soap Dispenser




Suggested Retail Price					
	APC	PN	STN	MB	SG
LS2150 __	430	516	537	559	671

- Brass construction
- 12 fluid ounce bottle capacity
- Top fill
- Deep deck extension available, order part: LS850PEXT

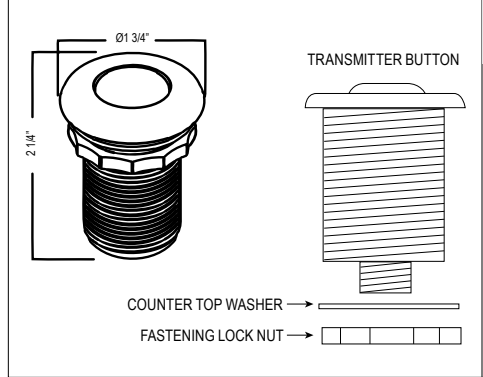


### LS950C Soap Dispenser




Suggested Retail Price				
	APC	PN	STN	TCB
LS950C __	190	228	237	270

- Brass construction
- 12 fluid ounce bottle capacity
- Top fill

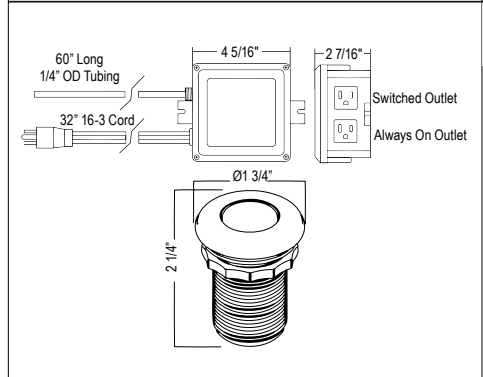


### AS425 Waste Disposal Air Switch Button




Suggested Retail Price										
	APC	PN	STN	SS	MB	AG	IB	SG	TCB	ULB
AS425 __	100	120	125	110	130	142	142	321	142	142

- Remote on/off air switch button for activating garbage disposals
- Solution for island countertops or where an electrical switch is not available

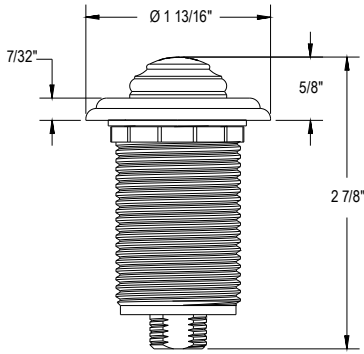


### AS450 Waste Disposal Control Box With Air Switch Button



Suggested Retail Price										
	APC	PN	STN	SS	MB	AG	IB	SG	TCB	ULB
AS450 __	301	361	376	311	391	349	428	522	428	428

- Remote on/off air switch button for activating garbage disposals
- Solution for island countertops or where an electrical switch is not available
- Control box with mounting hardware included



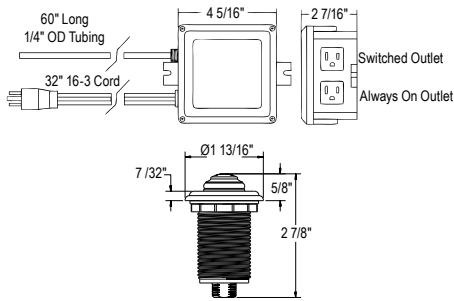
**AS525 Waste Disposal Air Switch Button**



**Suggested Retail Price**

	APC	PN	STN	MB	IB	TCB	ULB
AS525_ _	156	187	195	203	221	221	221

- Includes ROHL branding on top of button
- Remote on/off air switch button for activating garbage disposals



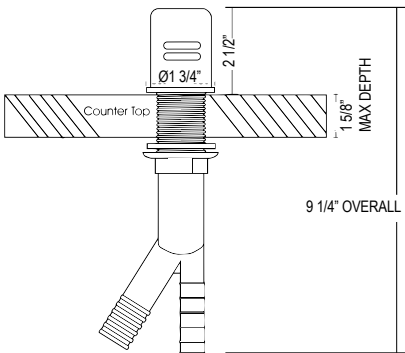
**AS550 Waste Disposal Control Box With Air Switch Button**



**Suggested Retail Price**

	APC	PN	STN	MB	IB	TCB	ULB
AS550_ _	357	428	446	464	507	507	507

- Includes ROHL branding on top of button
- Remote on/off air switch button for activating garbage disposals
- Control box with mounting hardware included



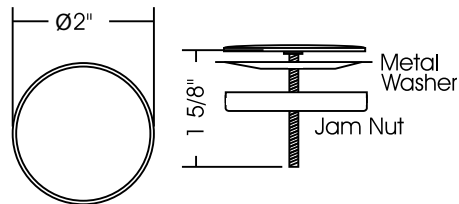
**AG600 Air Gap**



**Suggested Retail Price**

	AG	APC	PN	STN	SS	MB	IB	SG	TCB	ULB
AG600_ _	100	71	85	88	90	92	100	375	100	100

- Prevents contaminated sink water from entering the dishwasher



**SHC-1 Sink Hole Cover**



**Suggested Retail Price**

	APC	PN	STN	MB	IB	BK	WH
SHC-1_ _	18	42	42	30	98	30	30

- Biscuit coordinates with Shaws Fireclay Parchment sinks

# GOTHAM™

It was a time when buildings were racing to be the tallest, Hollywood first became star struck, and industrial design became glamorous. Art Deco took over the skyline with the angular Chrysler building and Rockefeller Center. Designer Michael Berman brings this early 20th century spirit to the Gotham™ Kitchen Collection, only for ROHL®. The streamlined, sleek loop of the faucet is balanced by a single lever handle reaching skyward. Luxurious shine, notched detailing, and a fluted spout add Deco styling. Gotham is truly a must for modern and transitional kitchens of style.



MB7928LMSTN

## Handle Options



## Available Finishes:



Polished Chrome  
APC



Polished Nickel  
PN



Satin Nickel  
STN

See product page for available finishes

KITCHEN & BAR FAUCETS

FILTRATION / OTHER



MB7927  
page 70



MB7928  
page 70



MBKIT7917  
page 70



MBKIT7945  
page 71

See product page for available finishes.

SOAP DISPENSERS



**LS3550**  
page 72

AIR SWITCH



**AS450**  
page 72



**AS550**  
page 73

SINKS



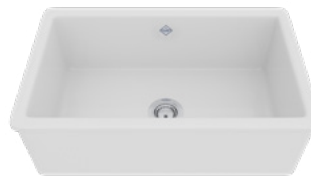
**6307**  
page 4



**AL3620AF1**  
page 6



**RC3018**  
Shaws® Price Book



**UM3018**  
Shaws® Price Book



**RSA3018**  
page 19



**RSS3318**  
page 15

1983

ACQUI

CAMPO

CINQUANTA

ECLISSI

GOTHAM

GRACELINE

LOMBARDIA

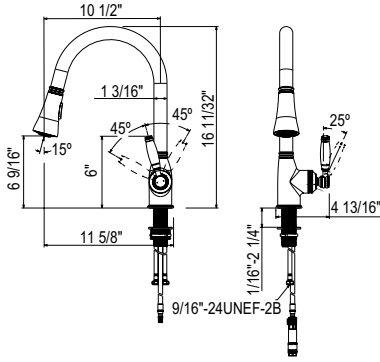
LUX

MYRINA

PATRIZIA

PIRELLONE

QUARTILE



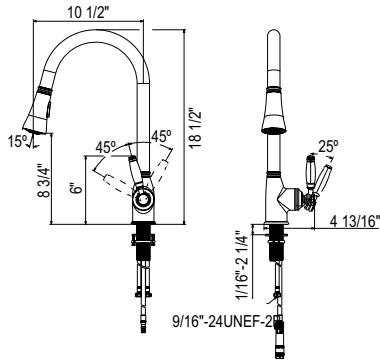
**MB7927 Gotham™ Pull-Down Bar/Food Prep Kitchen Faucet**



**Suggested Retail Price**

Handle	APC	PN	STN
MB7927LM	-2	878	1054 1098

- Dual-spray functionality with stream and spray settings
- 1.8 GPM at 60 PSI (CEC compliant)
- Requires 3 1/2" clearance from backsplash to center of faucet hole
- Matching bar/food prep faucet for MB7928



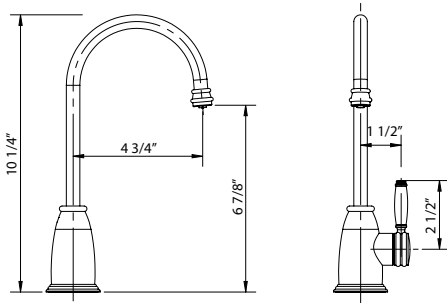
**MB7928 Gotham™ Pull-Down Kitchen Faucet**



**Suggested Retail Price**

Handle	APC	PN	STN
MB7928LM	-2	878	1054 1098

- Dual-spray functionality with stream and spray settings
- 1.8 GPM at 60 PSI (CEC compliant)
- Requires 3 1/2" clearance from backsplash to center of faucet hole



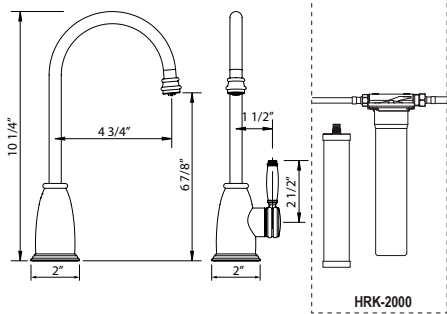
**MB7917 Gotham™ Filter Kitchen Faucet**



**Suggested Retail Price**

Handle	APC	PN	STN
MB7917LM	-2	406	487 508

- May be used with HRK-2000 inline filter system
- Not suitable for reverse osmosis systems or instant hot systems
- .5 GPM at 45 PSI (CEC compliant)



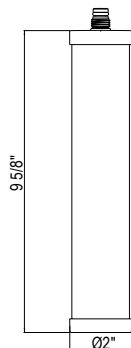
**MBKIT7917 Gotham™ Filter Kitchen Faucet Kit**



**Suggested Retail Price**

Handle	APC	PN	STN
MBKIT7917LM	-2	1045	1126 1147

- .5 GPM at 45 PSI (CEC compliant)
- Includes HRK-2000 filtration system



**HRF-1000 Arolla™ Replacement Filter Cartridge**



**Suggested Retail Price**

Handle	APC	PN	STN
HRF-1000			106

- Replacement cartridge for HRK-2000 filter system
- Recommend changing filter every 6 months or 1,000 gallons



APC



PN



STN

[Home](#)[Index](#)

1983

ACQUI

CAMPO

CINQUANTA

ECLISSI

GOTHAM

GRACELINE

LOMBARDIA

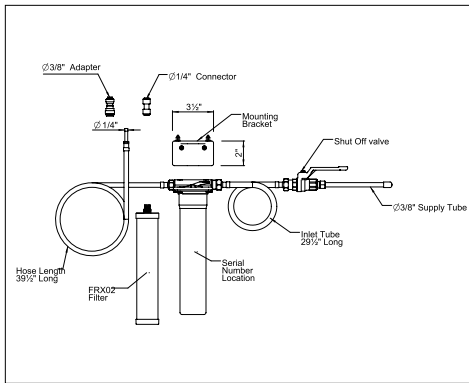
LUX

MYRINA

PATRIZIA

PIRELLONE

QUARTILE



### HRK-2000 Arolla™ Filtration System With Cartridge

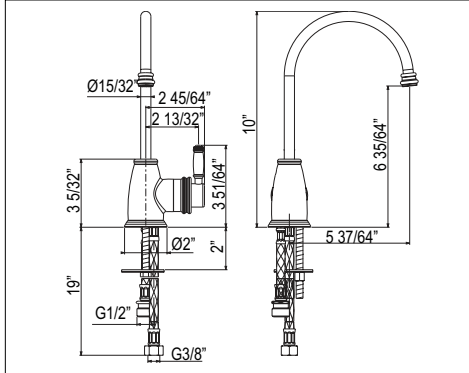


Suggested Retail Price

	\$
HRK-2000	639

- Includes cartridge, housing and connecton hoses
- Filter faucet not included
- Recommend changing filter every 6 months or 1,000 gallons
- For replacement filter cartridge, order HRF-1000: \$106
- Recommend changing filter system every 3 years due to constant water pressure on the inlet

PERRIN & ROWE  
Filtration Systems



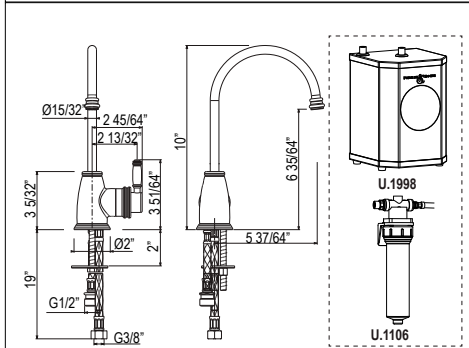
### MB7945 Gotham™ Hot Water Dispenser



Suggested Retail Price

Handle	APC	PN	STN
MB7945LM --2	386	498	634

- 1.2 GPM at 45 PSI (CEC compliant)
- For use with U.1998 high performance hot water tank and U.1106 filter



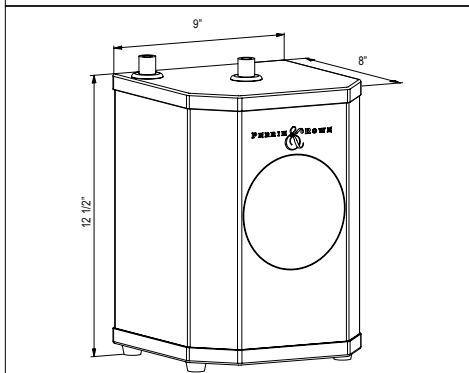
### MBKIT7945 Gotham™ Hot Water Dispenser, Tank And Filter Kit



Suggested Retail Price

Handle	APC	PN	STN
MBKIT7945LM --2	1628	1740	1876

- .5 GPM at 45 PSI (CEC compliant)
- Order U.PRF1 for hot water replacement filter cartridge
- Includes U.1998 Hot water tank and U.1106 filter system



### U.1998 High Performance Hot Water Tank

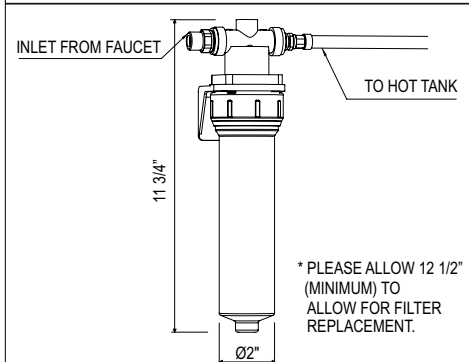


Suggested Retail Price

	\$
U.1998	887

- 3-Year limited warranty
- Not compatible with ISE type dispensers

PERRIN & ROWE  
Filtration Systems



### U.1106 Hot Water Filtration System



Suggested Retail Price

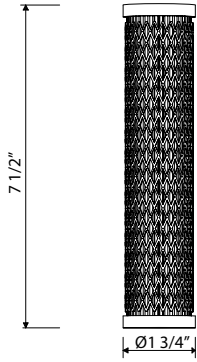
	\$
U.1106	355

- Includes cartridge, housing and connecton hoses
- Filter faucet not included
- For replacement filter cartridge, order U.PRF1: \$123
- Recommend changing filter every 6 months or 1,000 gallons

\* PLEASE ALLOW 12 1/2" (MINIMUM) TO ALLOW FOR FILTER REPLACEMENT.

PERRIN & ROWE  
Filtration Systems

1983  
ACQUI  
CAMPO  
CINQUANTA  
ECLISSI  
GOTHAM  
GRACELINE  
LOMBARDIA  
LUX  
MYRINA  
PATRIZIA  
PIRELLONE  
QUARTILE



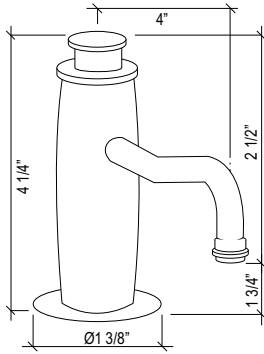
### U.PRF1 Hot Water Replacement Filter Cartridge



**Suggested Retail Price**

	\$
U.PRF1	123

- Designed for use with U.1106 and U.1408 hot water filtration systems
- Recommend changing filter every 6 months or 1,000 gallons



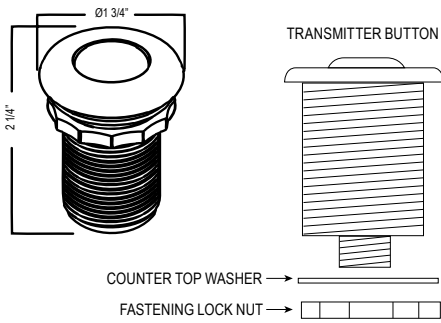
### LS3550 Soap Dispenser



**Suggested Retail Price**

	APC	PN	STN	MB	SG
LS3550 __	415	497	518	539	588

- Brass construction
- 12 fluid ounce bottle capacity
- Top fill



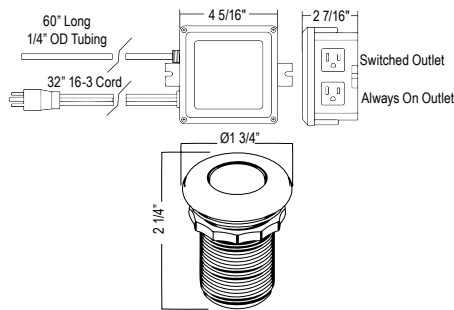
### AS425 Waste Disposal Air Switch Button



**Suggested Retail Price**

	APC	PN	STN	SS	MB	AG	IB	SG	TCB	ULB
AS425 __	100	120	125	110	130	142	142	321	142	142

- Remote on/off air switch button for activating garbage disposals
- Solution for island countertops or where an electrical switch is not available



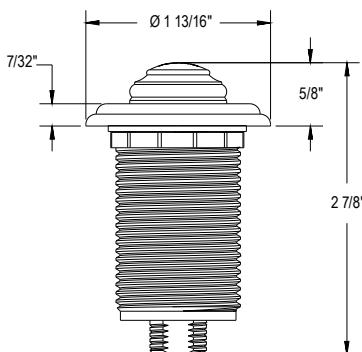
### AS450 Waste Disposal Control Box With Air Switch Button



**Suggested Retail Price**

	APC	PN	STN	SS	MB	AG	IB	SG	TCB	ULB
AS450 __	301	361	376	311	391	349	428	522	428	428

- Remote on/off air switch button for activating garbage disposals
- Solution for island countertops or where an electrical switch is not available
- Control box with mounting hardware included



### AS525 Waste Disposal Air Switch Button



**Suggested Retail Price**

	APC	PN	STN	MB	IB	TCB	ULB
AS525 __	156	187	195	203	221	221	221

- Includes ROHL branding on top of button
- Remote on/off air switch button for activating garbage disposals





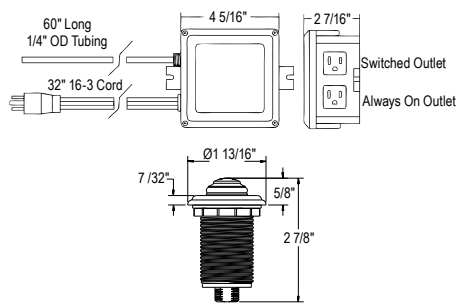
APC



PN



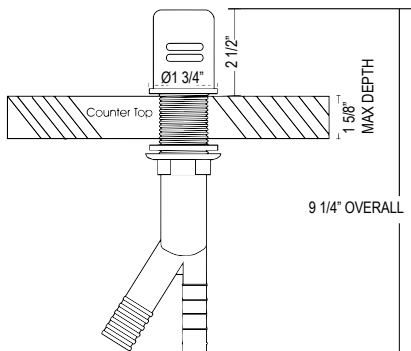
STN

**AS550 Waste Disposal Control Box With Air Switch Button****Suggested Retail Price**

	APC	PN	STN	MB	IB	TCB	ULB
AS550 _ _	357	428	446	464	507	507	507



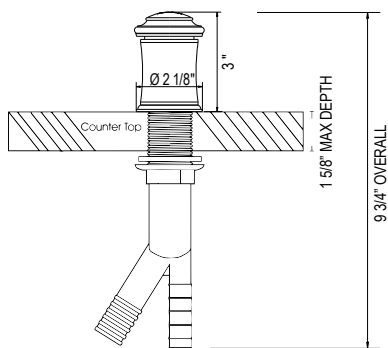
- Includes ROHL branding on top of button
- Remote on/off air switch button for activating garbage disposals
- Control box with mounting hardware included

**AG600 Air Gap****Suggested Retail Price**

	AG	APC	PN	STN	SS	MB	IB	SG	TCB	ULB
AG600 _ _	100	71	85	88	90	92	100	375	100	100



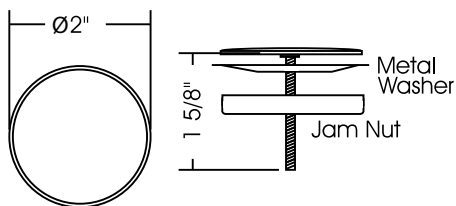
- Prevents contaminated sink water from entering the dishwasher

**AG700 Air Gap****Suggested Retail Price**

	APC	PN	STN	MB	IB	TCB
AG700 _ _	187	224	234	243	265	265



- Includes ROHL branding on top of air gap
- Prevents contaminated sink water from entering the dishwasher

**SHC-1 Sink Hole Cover****Suggested Retail Price**

	APC	PN	STN	MB	IB	BK	WH
SHC-1 _ _	18	42	42	30	98	30	30



- Biscuit coordinates with Shaws Fireclay Parchment sinks

1983

ACQUI

CAMPO

CINQUANTA

ECLISSI

GOTHAM

GRACELINE

LOMBARDIA

LUX

MYRINA

PATRIZIA

PIRELLONE

QUARTILE



# GRACELINE®

The Graceline® Collection takes its name from the glamorous ocean liners of the 1930s. This was the time of luxury travel, as expressed in Streamline Design. Renowned designer Michael

Berman exquisitely brings the essence of the age to his Collection created specifically for ROHL®. Sleek horizontal lines and nautical elements complement cylindrical forms to convey motion and modernity. Attention is paid to details like the rounded angle of the neck and knurling crosshatch on the spout. Together, all elements elevate industrial design for the kitchen with contemporary elegance.



MB7930LMMBG

## Handle Options



## Available Finishes:



*Polished Chrome*  
APC



*Polished Nickel*  
PN



*Satin Nickel*  
STN



*Matte Black*  
MB

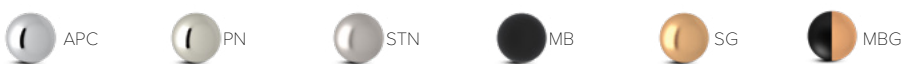


*Satin Gold*  
SG



*Matte Black/Satin Gold*  
MBG

*See product page for available finishes*



KITCHEN & BAR FAUCETS



**NEW** MB7960  
page 78



MB7930S  
page 78



**NEW** MB7956  
page 78



MB7930  
page 78

FILTRATION / OTHER



MBKIT7917  
page 79



MBKIT7945  
page 79

See product page for available finishes.

SOAP DISPENSERS



LS3550  
page 80

AIR SWITCH



AS450  
page 81



AS550  
page 81

SINKS



6337  
page 6



6497  
page 5



RC3018  
Shaws® Price Book



UM3018  
Shaws® Price Book



RSA3018  
page 19



RSS3318  
page 15

1983

ACQUI

CAMPO

CINQUANTA

ECLISSI

GOTHAM

GRACELINE

LOMBARDIA

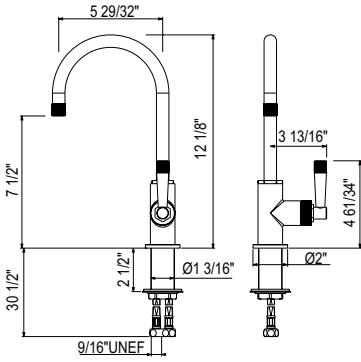
LUX

MYRINA

PATRIZIA

PIRELLONE

QUARTILE



**MB7960** Graceline® Bar/Food Prep Kitchen Faucet with C-Spout

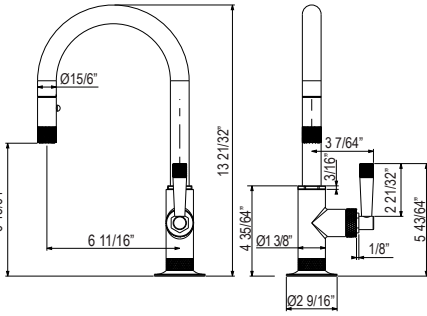


NEW

**Suggested Retail Price**

	APC	PN	STN	MB	SG	MBG
MB7960LM __ -	648	778	810	843	921	843

- Single spray functionality
- 1.8 GPM at 60 PSI (CEC compliant)
- Requires 2 1/2" clearance from backsplash to center of faucet hole



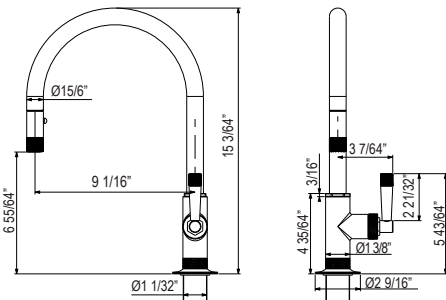
**MB7930S** Graceline® Pull-Down Bar/Food Prep Kitchen Faucet



**Suggested Retail Price**

Handle	APC	PN	STN	MB	SG	MBG
MB7930SLM __ -2	848	1018	1060	1103	1205	1103

- Dual-spray functionality with stream and spray settings
- 1.8 GPM at 60 PSI (CEC compliant)
- Requires 2 1/2" clearance from backsplash to center of faucet hole
- Matching bar/prep faucet for MB7930



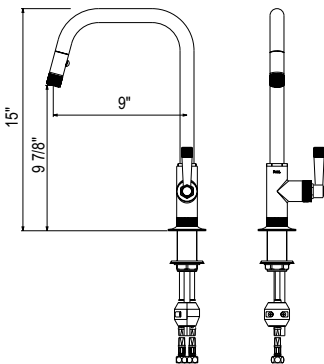
**MB7930** Graceline® Pull-Down Kitchen Faucet with C-Spout



**Suggested Retail Price**

Handle	APC	PN	STN	MB	SG	MBG
MB7930LM __ -2	848	1018	1060	1103	1205	1103

- Dual-spray functionality with stream and spray settings
- 1.8 GPM at 60 PSI (CEC compliant)
- Requires 2 1/2" clearance from backsplash to center of faucet hole



**MB7956** Graceline® Pull-Down Kitchen Faucet with U-Spout

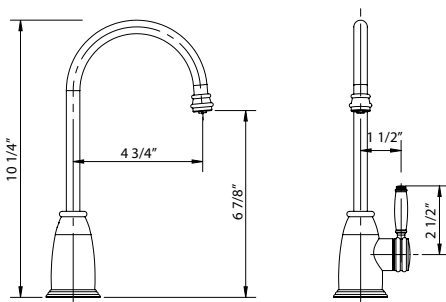


NEW

**Suggested Retail Price**

	APC	PN	STN	MB	SG	MBG
MB7956LM __ -	848	1018	1060	1103	1205	1103

- Dual-spray functionality with stream and spray settings
- 1.8 GPM at 60 PSI (CEC compliant)
- Requires 2 1/2" clearance from backsplash to center of faucet hole



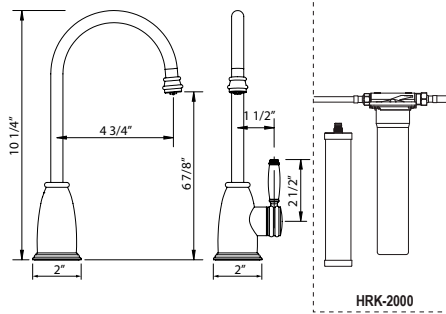
**MB7917** Gotham™ Filter Kitchen Faucet



**Suggested Retail Price**

Handle	APC	PN	STN
MB7917LM __ -2	406	487	508

- May be used with HRK-2000 inline filter system
- Not suitable for reverse osmosis systems or instant hot systems
- .5 GPM at 45 PSI (CEC compliant)



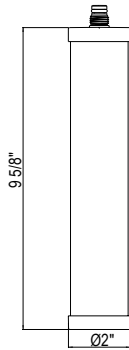
### MBKIT7917 Gotham™ Filter Kitchen Faucet Kit



- .5 GPM at 45 PSI (CEC compliant)
- Includes HRK-2000 filtration system

#### Suggested Retail Price

Handle	APC	PN	STN
MBKIT7917LM	-2	1045	1126 1147



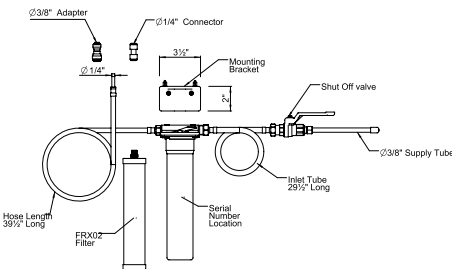
### HRF-1000 Arolla™ Replacement Filter Cartridge



- Replacement cartridge for HRK-2000 filter system
- Recommend changing filter every 6 months or 1,000 gallons

#### Suggested Retail Price

	\$
HRF-1000	106



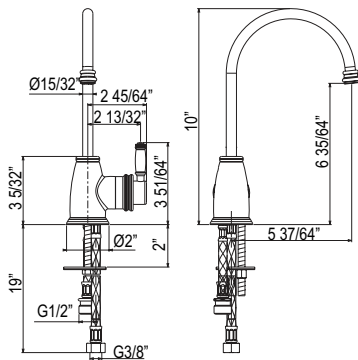
### HRK-2000 Arolla™ Filtration System With Cartridge



- Includes cartridge, housing and connection hoses
- Filter faucet not included
- Recommend changing filter every 6 months or 1,000 gallons
- For replacement filter cartridge, order HRF-1000: \$106
- Recommend changing filter system every 3 years due to constant water pressure on the inlet

#### Suggested Retail Price

	\$
HRK-2000	639



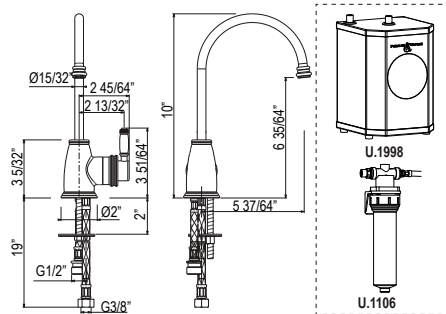
### MB7945 Gotham™ Hot Water Dispenser



- 1.2 GPM at 45 PSI (CEC compliant)
- For use with U.1998 high performance hot water tank and U.1106 filter

#### Suggested Retail Price

Handle	APC	PN	STN
MB7945LM	-2	386	498 634



### MBKIT7945 Gotham™ Hot Water Dispenser, Tank And Filter Kit



- .5 GPM at 45 PSI (CEC compliant)
- Order U.PRF1 for hot water replacement filter cartridge
- Includes U.1998 Hot water tank and U.1106 filter system

#### Suggested Retail Price

Handle	APC	PN	STN
MBKIT7945LM	-2	1628	1740 1876

1983

ACQUI

CAMPO

CINQUANTA

ECLISSI

GOTHAM

GRACELINE

LOMBARDIA

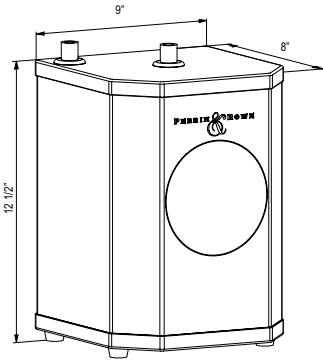
LUX

MYRINA

PATRIZIA

PIRELLONE

QUARTILE



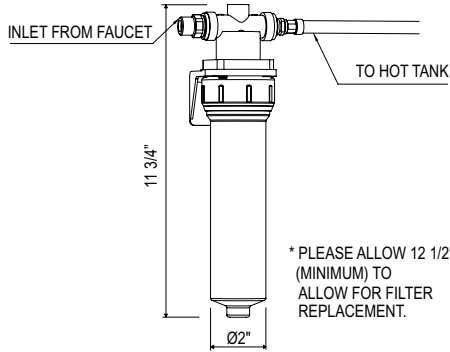
### U.1998 High Performance Hot Water Tank



- 3-Year limited warranty
- Not compatible with ISE type dispensers

**Suggested Retail Price**

	\$
U.1998	887



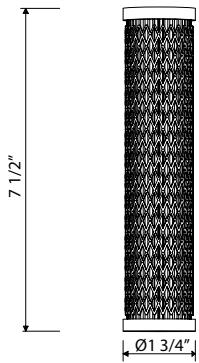
### U.1106 Hot Water Filtration System



- Includes cartridge, housing and connection hoses
- Filter faucet not included
- For replacement filter cartridge, order U.PRF1: \$123
- Recommend changing filter every 6 months or 1,000 gallons

**Suggested Retail Price**

	\$
U.1106	355



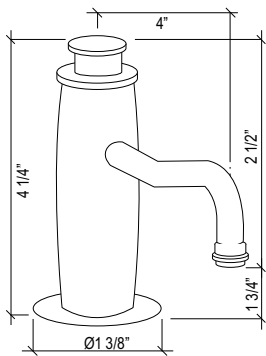
### U.PRF1 Hot Water Replacement Filter Cartridge



- Designed for use with U.1106 and U.1408 hot water filtration systems
- Recommend changing filter every 6 months or 1,000 gallons

**Suggested Retail Price**

	\$
U.PRF1	123



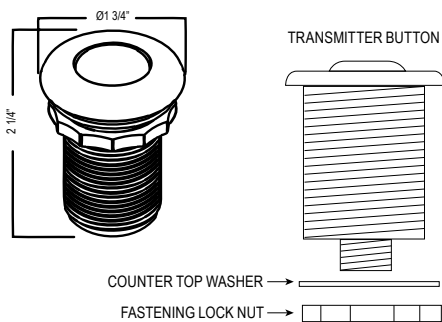
### LS3550 Soap Dispenser



- Brass construction
- 12 fluid ounce bottle capacity
- Top fill

**Suggested Retail Price**

	APC	PN	STN	MB	SG
LS3550	415	497	518	539	588



### AS425 Waste Disposal Air Switch Button

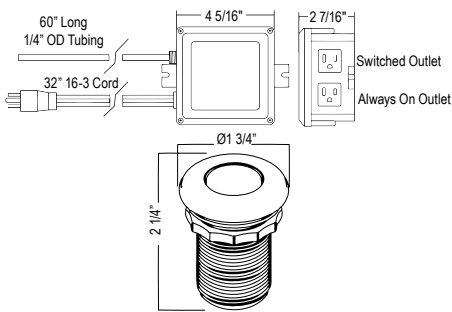


- Remote on/off air switch button for activating garbage disposals
- Solution for island countertops or where an electrical switch is not available

**Suggested Retail Price**

	APC	PN	STN	SS	MB	AG	IB	SG	TCB	ULB
AS425	100	120	125	110	130	142	142	321	142	142





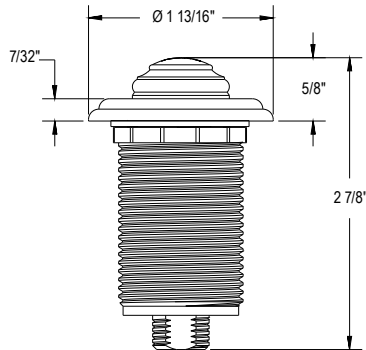
### AS450 Waste Disposal Control Box With Air Switch Button



#### Suggested Retail Price

	APC	PN	STN	SS	MB	AG	IB	SG	TCB	ULB
AS450 _ _	301	361	376	311	391	349	428	522	428	428

- Remote on/off air switch button for activating garbage disposals
- Solution for island countertops or where an electrical switch is not available
- Control box with mounting hardware included



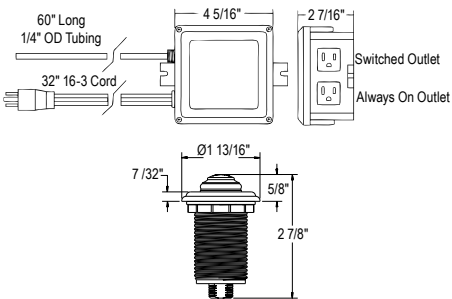
### AS525 Waste Disposal Air Switch Button



#### Suggested Retail Price

	APC	PN	STN	MB	IB	TCB	ULB
AS525 _ _	156	187	195	203	221	221	221

- Includes ROHL branding on top of button
- Remote on/off air switch button for activating garbage disposals



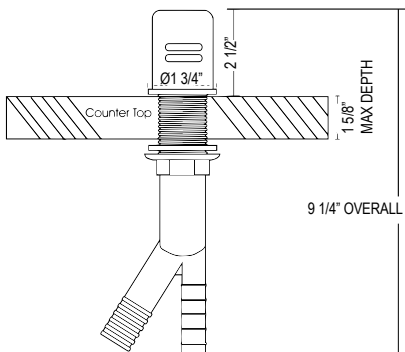
### AS550 Waste Disposal Control Box With Air Switch Button



#### Suggested Retail Price

	APC	PN	STN	MB	IB	TCB	ULB
AS550 _ _	357	428	446	464	507	507	507

- Includes ROHL branding on top of button
- Remote on/off air switch button for activating garbage disposals
- Control box with mounting hardware included



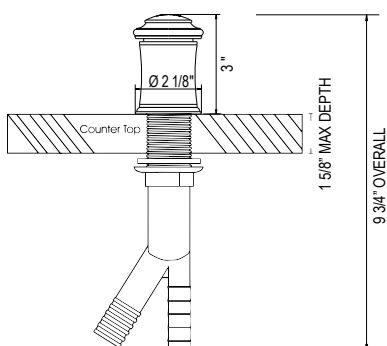
### AG600 Air Gap



#### Suggested Retail Price

	AG	APC	PN	STN	MB	IB	SG
AG600 _ _	100	71	85	88	92	100	375

- Prevents contaminated sink water from entering the dishwasher



### AG700 Air Gap



#### Suggested Retail Price

	APC	PN	STN	MB	IB	TCB
AG700 _ _	187	224	234	243	265	265

- Includes ROHL branding on top of air gap
- Prevents contaminated sink water from entering the dishwasher

1983

ACQUI

CAMPO

CINQUANTA

ECLISSI

GOTHAM

GRACELINE

LOMBARDIA

LUX

MYRINA

PATRIZIA

PIRELLONE

QUARTILE



# LOMBARDIA®

The Lombardy region of Italy is home to Milan, one of the major fashion capitals of the world. Exquisite silhouettes of contemporary sophistication are hallmarks of Milanese fashion. The Lombardia® Kitchen Collection mirrors the signature of minimalist designers who prefer clean shapes and simple details over elaborate ornamentation. The curve and height of the neck, the pure line of the handle, and the vertically-stacked base display seamless symmetry and subtlety—perfect for kitchens with a modern or transitional attitude.



A3430LMAPC

### Handle Options



### Available Finishes:



*Polished Chrome*  
APC



*Polished Nickel*  
PN



*Satin Nickel*  
STN



*Matte Black*  
MB



*Italian Brass*  
IB



*Tuscan Brass®*  
TCB



*Unlacquered Brass*  
ULB

*See product page for available finishes*



KITCHEN & BAR FAUCETS



A3430S  
page 86



A3430  
page 86

FILTRATION / OTHER



QL66  
page 88



RKIT7517  
page 86



GKIT7545  
page 87

See product page for available finishes.

SOAP DISPENSERS



LS450  
page 88



LS2150  
page 88



LS950C  
page 88

AIR SWITCH



AS450  
page 89



AS550  
page 89

SINKS



6337  
page 6



6347  
page 4



MS3018  
Shaws® Price Book



UM3018  
Shaws® Price Book



RSA3018  
page 19



RSS2716  
page 14

1983

ACQUI

CAMPO

CINQUANTA

ECLISSI

GOTHAM

GRACELINE

LOMBARDIA

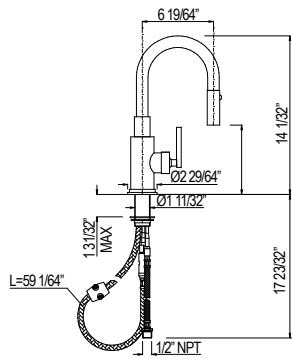
LUX

MYRINA

PATRIZIA

PIRELLONE

QUARTILE



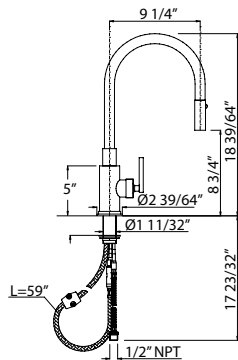
### A3430S Lombardia® Pull-Down Bar/Food Prep Kitchen Faucet



**Suggested Retail Price**

Handle	APC	PN	STN	MB	IB	TCB	ULB
A3430SLM __ -2	925	1110	1240	1240	1314	1314	1314

- Water activates by pushing handle inwards toward spout
- Dual-spray functionality with stream and spray settings
- 1.8 GPM at 60 PSI (CEC compliant)
- Requires 2 1/2" clearance from backsplash to center of faucet hole
- Matching bar/prep faucet for A3430



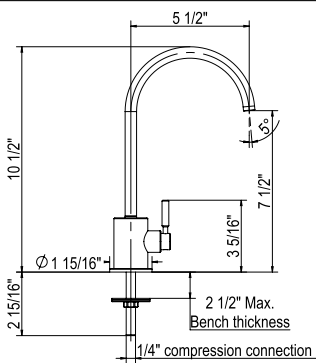
### A3430 Lombardia® Pull-Down Kitchen Faucet



**Suggested Retail Price**

Handle	APC	PN	STN	MB	IB	TCB	ULB
A3430LM __ -2	968	1161	1296	1296	1375	1375	1375

- Water activates by pushing handle inwards toward spout
- Dual-spray functionality with stream and spray settings
- 1.5 GPM at 60 PSI (CEC compliant)
- Requires 2 1/2" clearance from backsplash to center of faucet hole



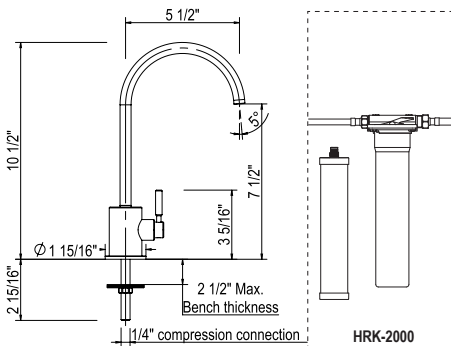
### R7517 Lux™ Filter Kitchen Faucet



**Suggested Retail Price**

	APC	PN	STN	SS	MB	AG	SG	ULB
R7517 __	314	376	393	399	408	444	444	444

- May be used with HRK-2000 inline filter system
- Not suitable for reverse osmosis systems or instant hot systems
- .5 GPM at 45 PSI (CEC compliant)



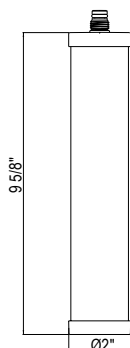
### RKIT7517 Lux™ Filter Kitchen Faucet Kit



**Suggested Retail Price**

	APC	PN	STN	SS	MB	AG	SG	ULB
RKIT7517 __	953	1015	1032	1038	1047	1083	1083	1083

- .5 GPM at 45 PSI (CEC compliant)
- Includes HRK-2000 filtration system



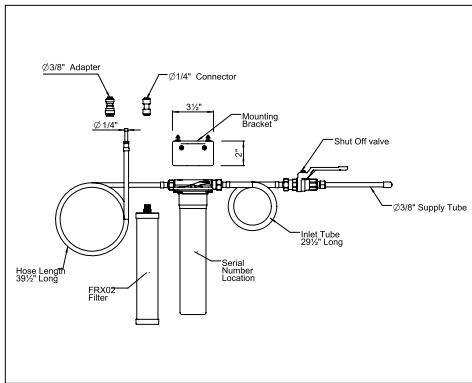
### HRF-1000 Arolla™ Replacement Filter Cartridge



**Suggested Retail Price**

	\$
HRF-1000	106

- Replacement cartridge for HRK-2000 filter system
- Recommend changing filter every 6 months or 1,000 gallons



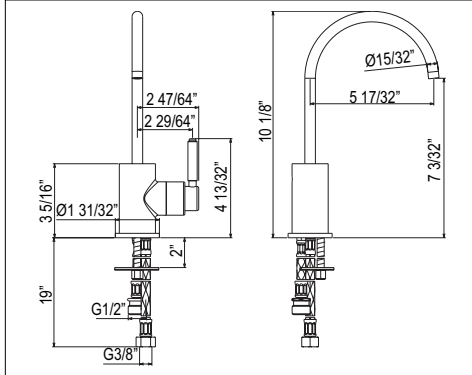
### HRK-2000 Arolla™ Filtration System With Cartridge



Suggested Retail Price

	\$
HRK-2000	639

- Includes cartridge, housing and connector hoses
- Filter faucet not included
- Recommend changing filter every 6 months or 1,000 gallons
- For replacement filter cartridge, order HRF-1000: \$106
- Recommend changing filter system every 3 years due to constant water pressure on the inlet



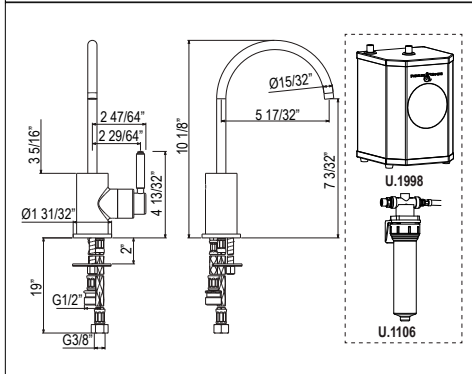
### G7545 Lux™ Hot Water Dispenser



Suggested Retail Price

Handle	APC	PN	STN	MB	TCB
G7545LM	-2	331	428	634	634

- 1.2 GPM at 45 PSI (CEC compliant)
- For use with U.1998 high performance hot water tank and U.1106 filter



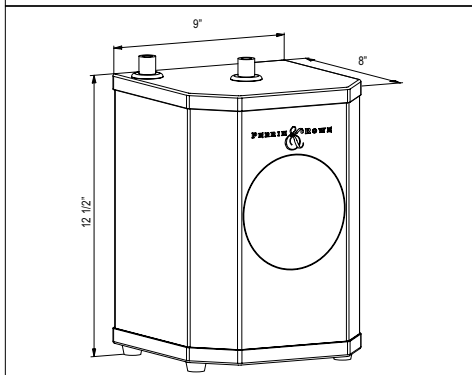
### GKIT7545 Lux™ Hot Water Dispenser, Tank And Filter Kit



Suggested Retail Price

Handle	APC	PN	STN	MB	TCB
GKIT7545LM	-2	1573	1670	1876	1876

- .5 GPM at 45 PSI (CEC compliant)
- Order U.PRF1 for hot water replacement filter cartridge
- Includes U.1998 Hot water tank and U.1106 filter system



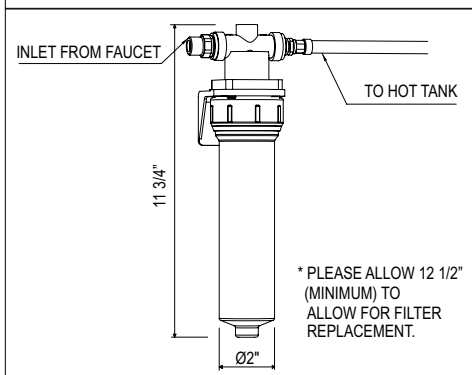
### U.1998 High Performance Hot Water Tank



Suggested Retail Price

	\$
U.1998	887

- 3-Year limited warranty
- Not compatible with ISE type dispensers



### U.1106 Hot Water Filtration System



Suggested Retail Price

	\$
U.1106	355

- Includes cartridge, housing and connector hoses
- Filter faucet not included
- For replacement filter cartridge, order U.PRF1: \$123
- Recommend changing filter every 6 months or 1,000 gallons



1983

ACQUI

CAMPO

CINQUANTA

ECLISSI

GOTHAM

GRACELINE

LOMBARDIA

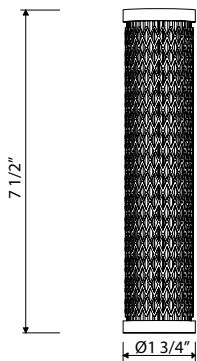
LUX

MYRINA

PATRIZIA

PIRELLONE

QUARTILE



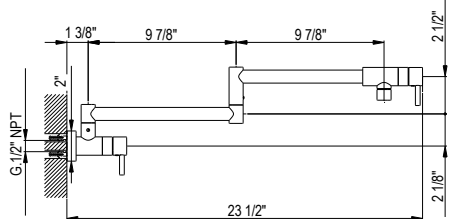
### U.PRF1 Hot Water Replacement Filter Cartridge



**Suggested Retail Price**

	\$
U.PRF1	123

- Designed for use with U.1106 and U.1408 hot water filtration systems
- Recommend changing filter every 6 months or 1,000 gallons



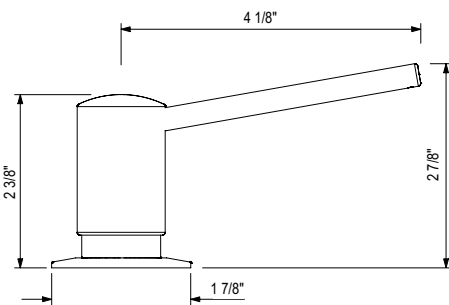
### QL66 Modern Pot Filler



**Suggested Retail Price**

Handle	APC	PN	STN	MB	ULB
QL66L-_-_-2	1484	1780	2077	2077	2045

- Dual quarter turn lever handle shut-offs, one at the wall and one at the outlet
- Folds away when not in use
- 1.8 GPM at 60 PSI (CEC compliant)



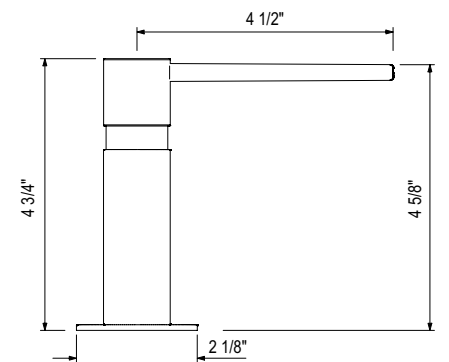
### LS450 Soap Dispenser



**Suggested Retail Price**

	APC	PN	STN
LS450L_ _ _	157	188	196

- Brass construction
- 12 fluid ounce bottle capacity
- Top fill



### LS2150 Soap Dispenser

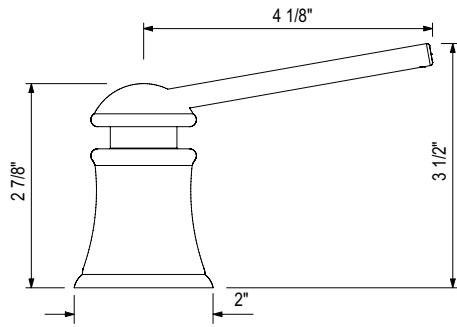
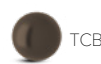


**Suggested Retail Price**

	APC	PN	STN	MB	SG
LS2150_ _ _	430	516	537	559	671

- Brass construction
- 12 fluid ounce bottle capacity
- Top fill
- Deep deck extension available, order part: LS850PEXT





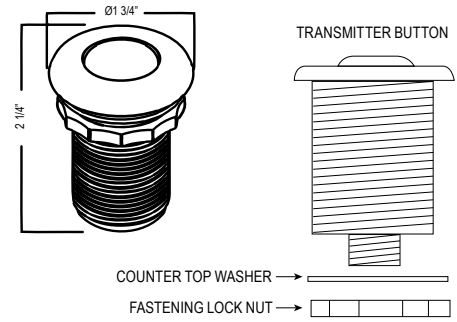
### LS950C Soap Dispenser



#### Suggested Retail Price

	APC	PN	STN	TCB
LS950C __	190	228	237	270

- Brass construction
- 12 fluid ounce bottle capacity
- Top fill



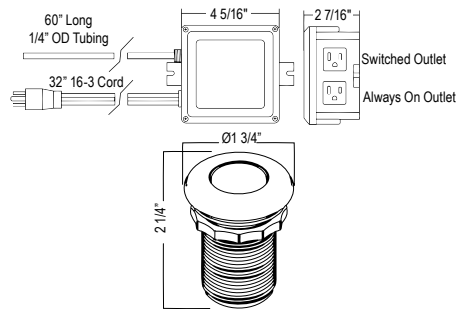
### AS425 Waste Disposal Air Switch Button



#### Suggested Retail Price

	APC	PN	STN	SS	MB	AG	IB	SG	TCB	ULB
AS425 __	100	120	125	110	130	142	142	321	142	142

- Remote on/off air switch button for activating garbage disposals
- Solution for island countertops or where an electrical switch is not available



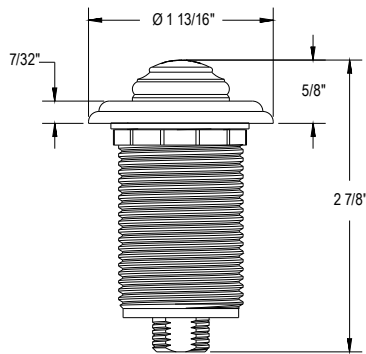
### AS450 Waste Disposal Control Box With Air Switch Button



#### Suggested Retail Price

	APC	PN	STN	SS	MB	AG	IB	SG	TCB	ULB
AS450 __	301	361	376	311	391	349	428	522	428	428

- Remote on/off air switch button for activating garbage disposals
- Solution for island countertops or where an electrical switch is not available
- Control box with mounting hardware included



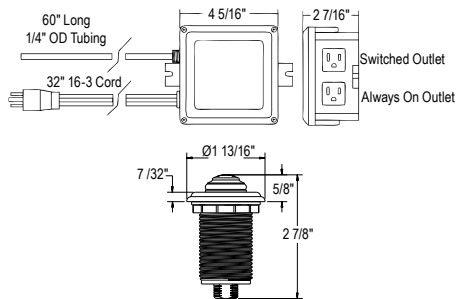
### AS525 Waste Disposal Air Switch Button



#### Suggested Retail Price

	APC	PN	STN	MB	IB	TCB	ULB
AS525 __	156	187	195	203	221	221	221

- Includes ROHL branding on top of button
- Remote on/off air switch button for activating garbage disposals



### AS550 Waste Disposal Control Box With Air Switch Button



#### Suggested Retail Price

	APC	PN	STN	MB	IB	TCB	ULB
AS550 __	357	428	446	464	507	507	507

- Includes ROHL branding on top of button
- Remote on/off air switch button for activating garbage disposals
- Control box with mounting hardware included

1983

ACQUI

CAMPO

CINQUANTA

ECLISSI

GOTHAM

GRACELINE

LOMBARDIA

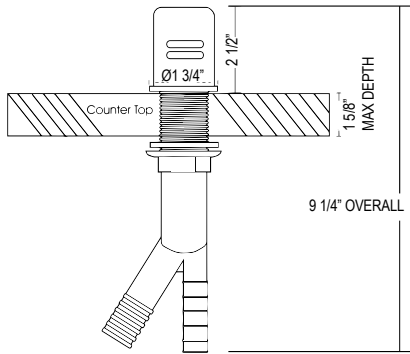
LUX

MYRINA

PATRIZIA

PIRELLONE

QUARTILE

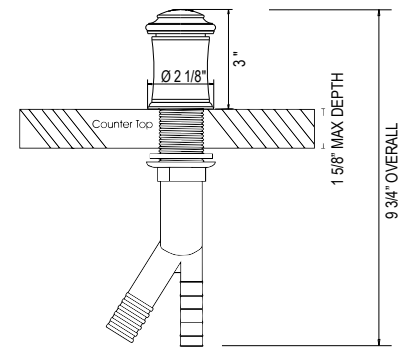


**AG600 Air Gap**



Suggested Retail Price									
AG	APC	PN	STN	SS	MB	IB	SG	TCB	ULB
AG600 __	100	71	85	88	90	92	100	375	100

- Prevents contaminated sink water from entering the dishwasher

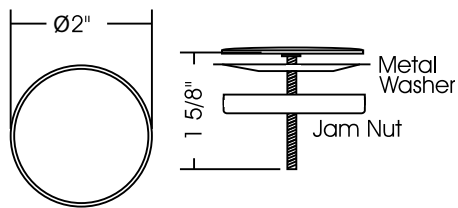


**AG700 Air Gap**



Suggested Retail Price						
AG700 __	APC	PN	STN	MB	IB	TCB
AG700 __	187	224	234	243	265	265

- Includes ROHL branding on top of air gap
- Prevents contaminated sink water from entering the dishwasher



**SHC-1 Sink Hole Cover**



Suggested Retail Price							
SHC-1 __	APC	PN	STN	MB	IB	BK	WH
SHC-1 __	18	42	42	30	98	30	30

- Biscuit coordinates with Shaws Fireclay Parchment sinks

## LUX™

Style paired down to the essentials, with no unnecessary frills: that's the principle behind the Industrial Chic movement, and the Lux™ Kitchen Collection. Taking elements from 19th century industrial spaces, like the stainless steel kitchens of fishmongers, Lux is pure streamlined simplicity. It follows a natural, clean line from the base that organically curves into the spout. The Collection includes a range of pull-down faucets in a professional-chef design for a hardworking, unfettered look. This is a faucet for those who believe that less is more beautiful.



R7520SS

*See product page for available handle and finish options*

KITCHEN & BAR FAUCETS



R7923  
page 94



R7515S  
page 94



R7515  
page 94



R7581S  
page 94



R7581  
page 94



R7519  
page 95



R7520  
page 95



R7521  
page 95

FILTRATION / OTHER



QL66  
page 97



RKIT7517  
page 95



GKIT7545  
page 96

See product page for available finishes.

SOAP DISPENSERS



LS450  
page 97



LS2150  
page 97



LS950C  
page 98

AIR SWITCH



AS450  
page 98



AS550  
page 98

SINKS



6307  
page 4



6497  
page 5



MS3018  
Shaws® Price Book



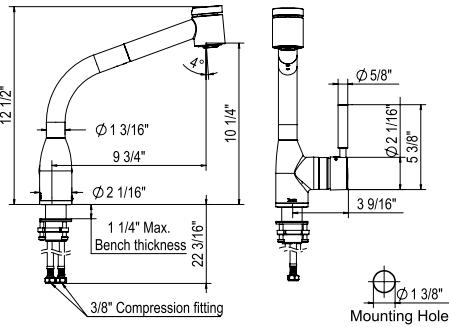
UM3018  
Shaws® Price Book



RSA3018  
page 19



RSS3018  
page 15



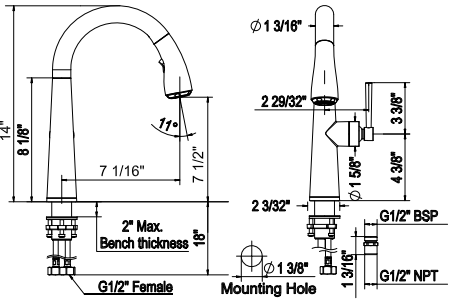
**R7923 Lux™ Pull-Out Kitchen Faucet**



**Suggested Retail Price**

Handle	APC	STN
R7923	1069	1336

- Dual-spray functionality with stream and spray settings
- 1.8 GPM at 60 PSI (CEC compliant)
- Requires 3 1/2" clearance from backsplash to center of faucet hole



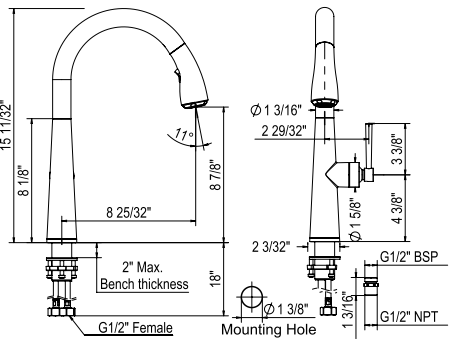
**R7515S Lux™ Pull-Down Bar/Food Prep Kitchen Faucet**



**Suggested Retail Price**

Handle	APC	PN	STN	SS	MB	RG
R7515SLM	-2	920	1104	1150	1150	1196 1401

- Dual-spray functionality with stream and spray settings
- 1.8 GPM at 60 PSI (CEC compliant)
- Requires 2 1/2" clearance from backsplash to center of faucet hole
- Matching bar/prep faucet for R7515



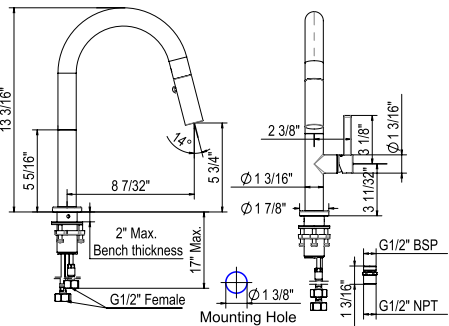
**R7515 Lux™ Pull-Down Kitchen Faucet**



**Suggested Retail Price**

Handle	APC	PN	STN	SS	MB	RG
R7515LM	-2	920	1104	1150	1150	1196 1401

- Dual-spray functionality with stream and spray settings
- 1.8 GPM at 60 PSI (CEC compliant)
- Requires 2 1/2" clearance from backsplash to center of faucet hole



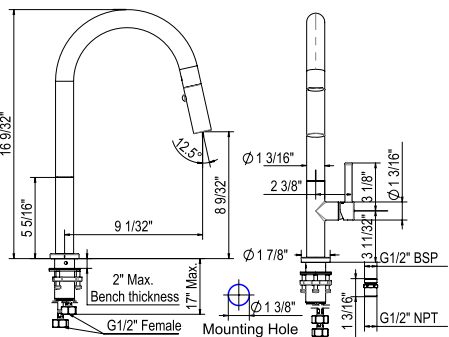
**R7581S Lux™ Pull-Down Bar/Food Prep Kitchen Faucet**



**Suggested Retail Price**

Handle	APC	PN	STN	SS	MB
R7581SLM	-2	941	1129	1177	1177 1224

- Dual-spray functionality with stream and spray settings
- 1.8 GPM at 60 PSI (CEC compliant)
- Requires 2 1/2" clearance from backsplash to center of faucet hole



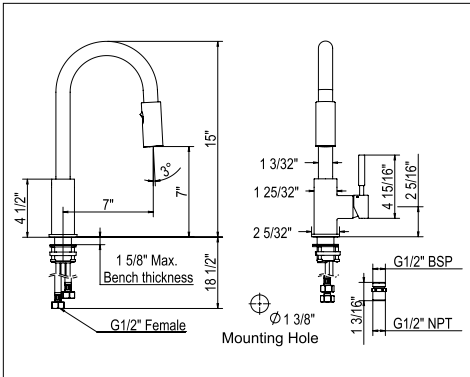
**R7581 Lux™ Pull-Down Kitchen Faucet**



**Suggested Retail Price**

Handle	APC	PN	STN	SS	MB
R7581LM	-2	941	1129	1177	1177 1224

- Dual-spray functionality with stream and spray settings
- 1.8 GPM at 60 PSI (CEC compliant)
- Requires 2 1/2" clearance from backsplash to center of faucet hole



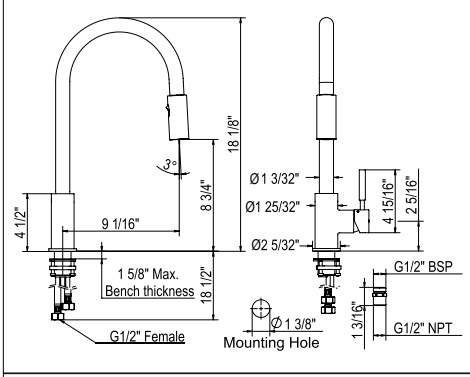
**R7519 Lux™ Pull-Down Bar/Food Prep Kitchen Faucet**



**Suggested Retail Price**

Handle	APC	PN	STN	SS	MB
R7519	822	987	1028	1028	1070

- Dual-spray functionality with stream and spray settings
- 1.8 GPM at 60 PSI (CEC compliant)
- Requires 2 1/2" clearance from backsplash to center of faucet hole
- Matching bar/food prep faucet for R7520 and R7521



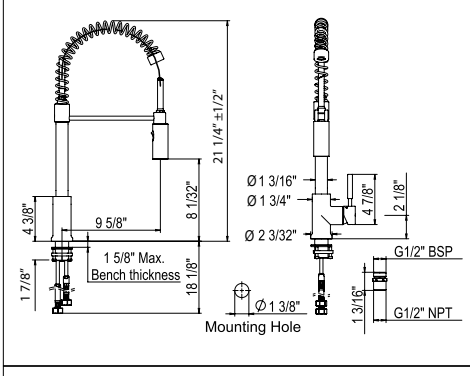
**R7520 Lux™ Pull-Down Kitchen Faucet**



**Suggested Retail Price**

Handle	APC	PN	STN	SS	MB
R7520	822	987	1028	1086	1070

- Dual-spray functionality with stream and spray settings
- 1.8 GPM at 60 PSI (CEC compliant)
- Requires 2 1/2" clearance from backsplash to center of faucet hole
- Matching kitchen faucet for R7663



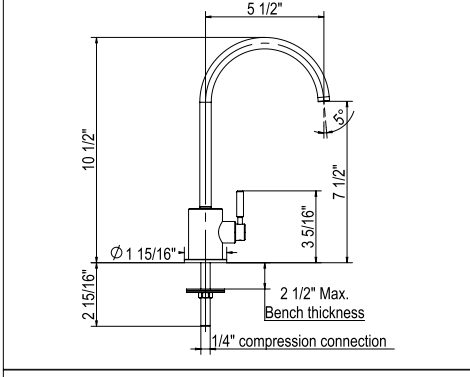
**R7521 Lux™ Pre-Rinse Chef-Style Kitchen Faucet**



**Suggested Retail Price**

Handle	APC	PN	STN	SS	MB
R7521	1028	1234	1285	1428	1337

- Dual-spray functionality with stream and spray settings
- 1.8 GPM at 60 PSI (CEC compliant)
- Requires 2 1/2" clearance from backsplash to center of faucet hole



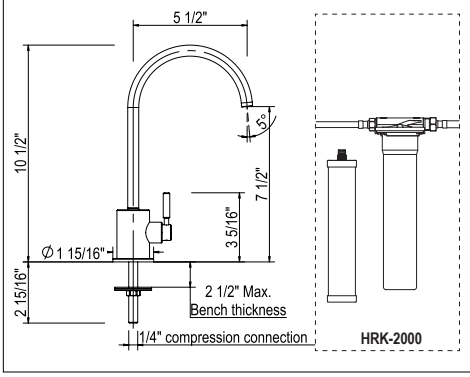
**R7517 Lux™ Filter Kitchen Faucet**



**Suggested Retail Price**

	APC	PN	STN	SS	MB	AG	SG	ULB
R7517	314	376	393	399	408	444	444	444

- May be used with HRK-2000 inline filter system
- Not suitable for reverse osmosis systems or instant hot systems
- .5 GPM at 45 PSI (CEC compliant)



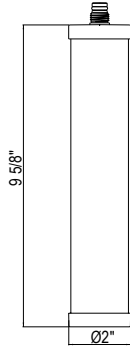
**RKIT7517 Lux™ Filter Kitchen Faucet Kit**



**Suggested Retail Price**

	APC	PN	STN	SS	MB	AG	SG	ULB
RKIT7517	953	1015	1032	1038	1047	1083	1083	1083

- .5 GPM at 45 PSI (CEC compliant)
- Includes HRK-2000 filtration system



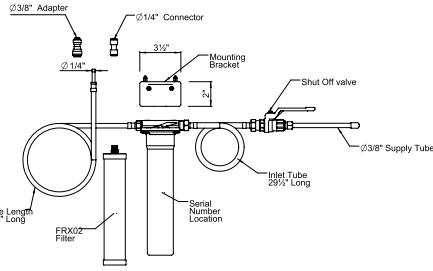
**HRF-1000** Arolla™ Replacement Filter Cartridge



**Suggested Retail Price**

	\$
HRF-1000	106

- Replacement cartridge for HRK-2000 filter system
- Recommend changing filter every 6 months or 1,000 gallons



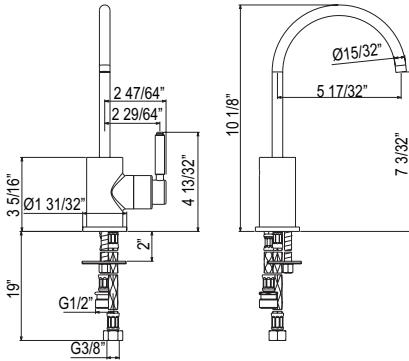
**HRK-2000** Arolla™ Filtration System With Cartridge



**Suggested Retail Price**

	\$
HRK-2000	639

- Includes cartridge, housing and connection hoses
- Filter faucet not included
- Recommend changing filter every 6 months or 1,000 gallons
- For replacement filter cartridge, order HRF-1000: \$106
- Recommend changing filter system every 3 years due to constant water pressure on the inlet



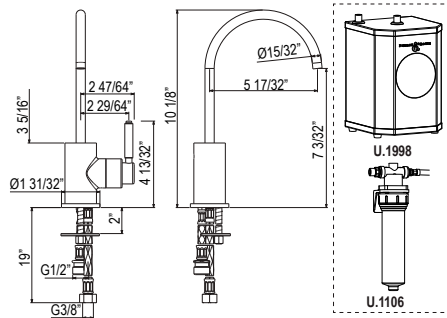
**G7545** Lux™ Hot Water Dispenser



**Suggested Retail Price**

Handle	APC	PN	STN	MB	TCB
G7545LM	-2	331	428	634	634

- 1.2 GPM at 45 PSI (CEC compliant)
- For use with U.1998 high performance hot water tank and U.1106 filter



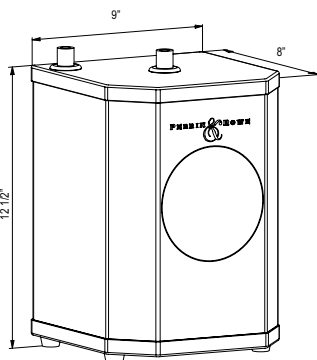
**GKIT7545** Lux™ Hot Water Dispenser, Tank And Filter Kit



**Suggested Retail Price**

Handle	APC	PN	STN	MB	TCB
GKIT7545LM	-2	1573	1670	1876	1876

- .5 GPM at 45 PSI (CEC compliant)
- Order U.PRF1 for hot water replacement filter cartridge
- Includes U.1998 Hot water tank and U.1106 filter system



**U.1998** High Performance Hot Water Tank



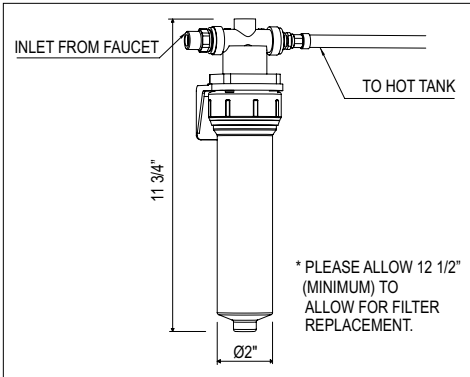
**Suggested Retail Price**

	\$
U.1998	887

- 3-Year limited warranty
- Not compatible with ISE type dispensers







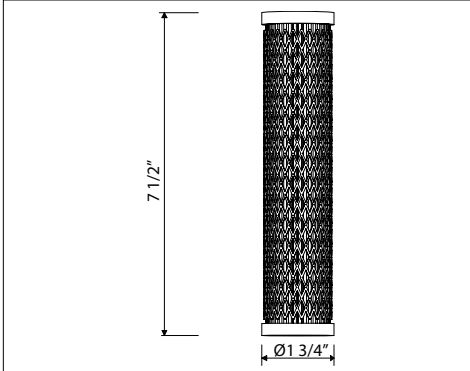
### U.1106 Hot Water Filtration System

**Suggested Retail Price**

	\$
U.1106	355

- Includes cartridge, housing and connector hoses
- Filter faucet not included
- For replacement filter cartridge, order U.PRF1: \$123
- Recommend changing filter every 6 months or 1,000 gallons

PERRIN & ROWE



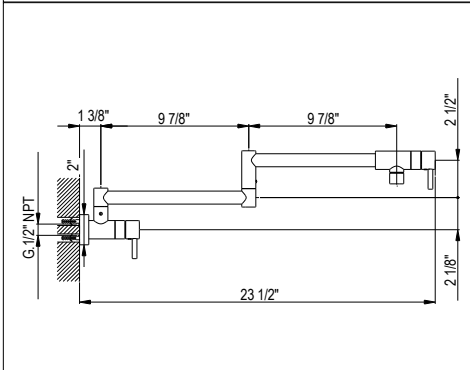
### U.PRF1 Hot Water Replacement Filter Cartridge

**Suggested Retail Price**

	\$
U.PRF1	123

- Designed for use with U.1106 and U.1408 hot water filtration systems
- Recommend changing filter every 6 months or 1,000 gallons

PERRIN & ROWE

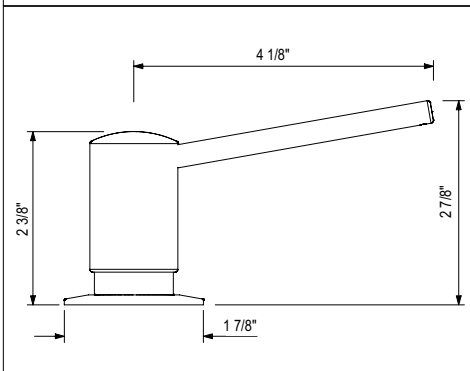


### QL66 Modern Pot Filler

**Suggested Retail Price**

Handle	APC	PN	STN	MB	ULB	
QL66L	-2	1484	1780	2077	2077	2045

- Dual quarter turn lever handle shut-offs, one at the wall and one at the outlet
- Folds away when not in use
- 1.8 GPM at 60 PSI (CEC compliant)

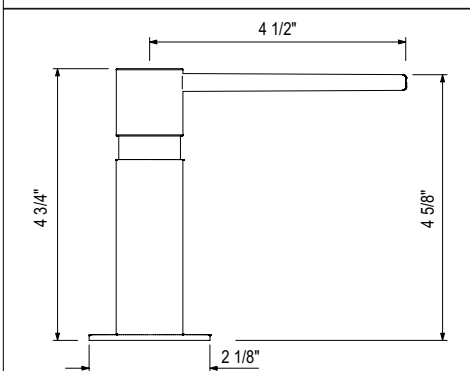


### LS450 Soap Dispenser

**Suggested Retail Price**

	APC	PN	STN	SS	MB
LS450L	157	188	196	169	204

- Brass construction
- 12 fluid ounce bottle capacity
- Top fill

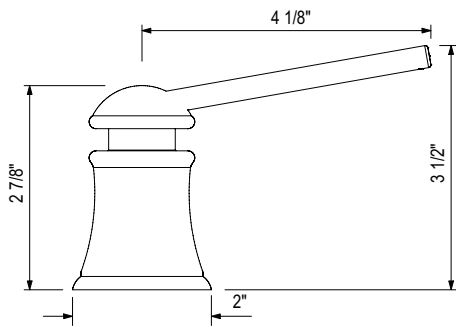


### LS2150 Soap Dispenser

**Suggested Retail Price**

	APC	PN	STN	MB	SG
LS2150	430	516	537	559	671

- Brass construction
- 12 fluid ounce bottle capacity
- Top fill
- Deep deck extension available, order part: LS850PEXT



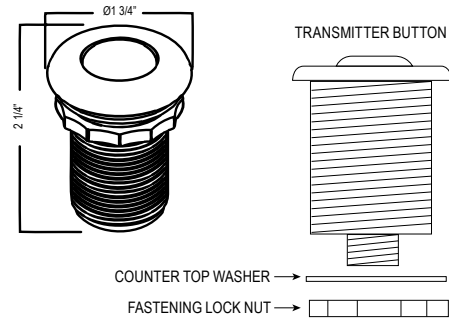
**LS950C Soap Dispenser**



- Brass construction
- 12 fluid ounce bottle capacity
- Top fill

**Suggested Retail Price**

	APC	PN	STN	TCB
LS950C __	190	228	237	270



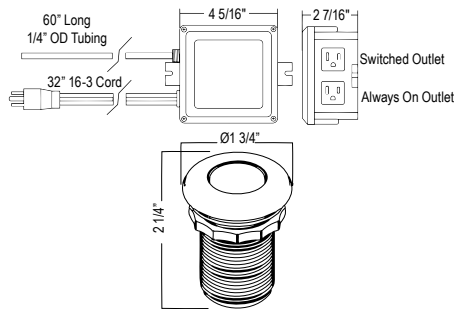
**AS425 Waste Disposal Air Switch Button**



**Suggested Retail Price**

	APC	PN	STN	SS	MB	AG	IB	SG	TCB	ULB
AS425 __	100	120	125	110	130	142	142	321	142	142

- Remote on/off air switch button for activating garbage disposals
- Solution for island countertops or where an electrical switch is not available



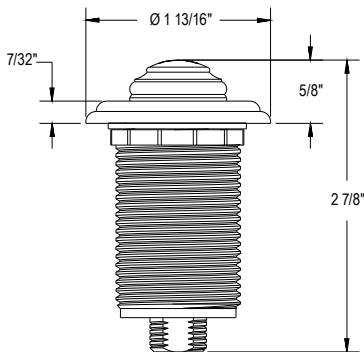
**AS450 Waste Disposal Control Box With Air Switch Button**



**Suggested Retail Price**

	APC	PN	STN	SS	MB	AG	IB	SG	TCB	ULB
AS450 __	301	361	376	311	391	349	428	522	428	428

- Remote on/off air switch button for activating garbage disposals
- Solution for island countertops or where an electrical switch is not available
- Control box with mounting hardware included



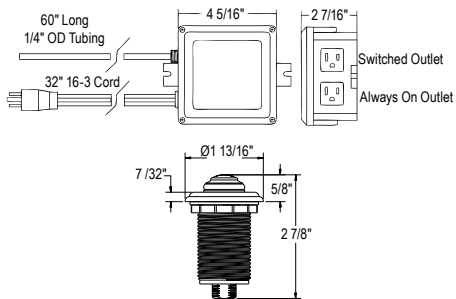
**AS525 Waste Disposal Air Switch Button**



**Suggested Retail Price**

	APC	PN	STN	MB	IB	TCB	ULB
AS525 __	156	187	195	203	221	221	221

- Includes ROHL branding on top of button
- Remote on/off air switch button for activating garbage disposals



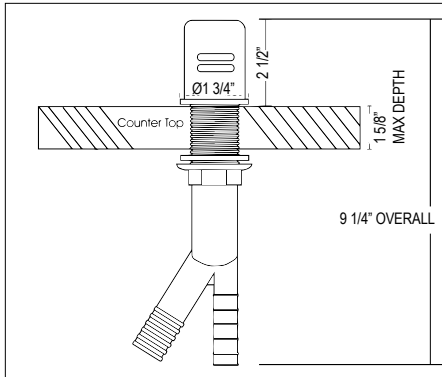
**AS550 Waste Disposal Control Box With Air Switch Button**



**Suggested Retail Price**

	APC	PN	STN	MB	IB	TCB	ULB
AS550 __	357	428	446	464	507	507	507

- Includes ROHL branding on top of button
- Remote on/off air switch button for activating garbage disposals
- Control box with mounting hardware included

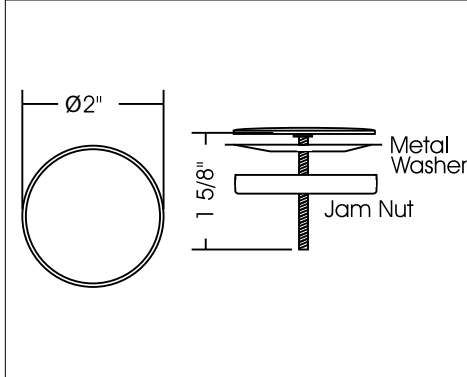


**AG600 Air Gap**



Suggested Retail Price										
	AG	APC	PN	STN	SS	MB	IB	SG	TCB	ULB
AG600 __	100	71	85	88	90	92	100	375	100	100

- Prevents contaminated sink water from entering the dishwasher



**SHC-1 Sink Hole Cover**



Suggested Retail Price							
	APC	PN	STN	MB	IB	BK	WH
SHC-1 __	18	42	42	30	98	30	30

- Biscuit coordinates with Shaws Fireclay Parchment sinks

1983

ACQUI

CAMPO

CINQUANTA

ECLISSI

GOTHAM

GRACELINE

LOMBARDIA

LUX

MYRINA

PATRIZIA

PIRELLONE

QUARTILE



# MYRINA™

In ancient Greek myth, Myrina was a queen of the Amazons, a tribe of warrior women. The Myrina Collection is inspired by her spirit and strength. Commanding a room with state-of-the-art styling, Myrina displays a dynamic design, with a streamlined column reaching upward, echoed by the vertical lever handle. The pull-down portion is seamlessly incorporated within the faucet to create one continuous line. Rounded corners contrast with angled shape of the neck, for modern styling with impact. Myrina is a faucet that makes a resounding statement for kitchens with a contemporary attitude.



MY55D1LMSG

Available finishes:



*Polished Chrome*  
APC



*Polished Nickel*  
PN



*Satin Nickel*  
STN



*Matte Black*  
MB



*Satin Gold*  
SG

*See product page for available finishes*



KITCHEN & BAR FAUCETS



MY65D1  
page 104



MY55D1  
page 104



MY61D1  
page 104



MY56D1  
page 104

FILTRATION / OTHER



QL66  
page 106



RKIT7517  
page 105



GKIT7545  
page 105

SOAP DISPENSERS



LS450  
page 106



LS950C  
page 107



LS2150  
page 107

AIR SWITCH



AS450  
page 107



AS550  
page 108

SINKS



AL3220AF1  
page 5



6497  
page 5



RC3618  
Shaws® Price Book



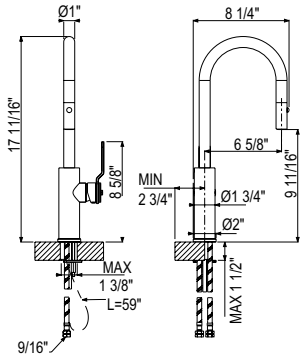
MS3518  
Shaws® Price Book



RSA3018  
page 19



RUWKIT36161  
page 20



**MY65D1 Myrina™ Pull-Down Bar/Food Prep Kitchen Faucet with C-Spout**

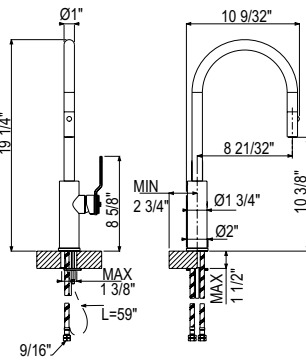


NEW

**Suggested Retail Price**

	APC	PN	STN	MB	SG
MY65D1LM_	748	898	935	973	1063

- Dual-spray functionality with stream and spray settings
- 1.75 GPM at 60 PSI (CEC compliant)
- Requires 2 1/2" clearance from backsplash to center of faucet hole



**MY55D1 Myrina™ Pull-Down Kitchen Faucet with C-Spout**

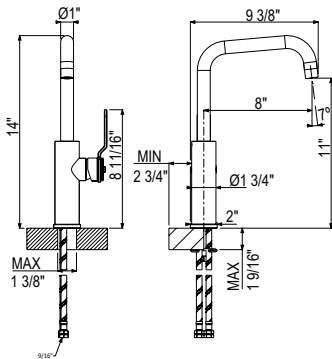


NEW

**Suggested Retail Price**

	APC	PN	STN	MB	SG
MY55D1LM_	748	898	935	973	1063

- Dual-spray functionality with stream and spray settings
- 1.75 GPM at 60 PSI (CEC compliant)
- Requires 2 1/2" clearance from backsplash to center of faucet hole



**MY61D1 Myrina™ Bar/Food Prep Kitchen Faucet with U-Spout**

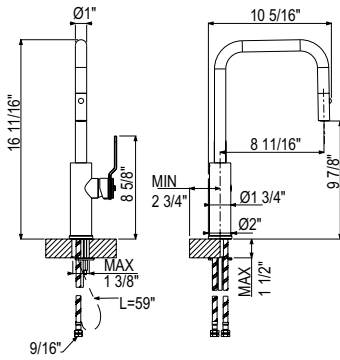


NEW

**Suggested Retail Price**

	APC	PN	STN	MB	SG
MY61D1LM_	548	658	685	713	779

- Single-spray functionality
- 1.8 GPM at 60 PSI (CEC compliant)
- Requires 2 1/2" clearance from backsplash to center of faucet hole



**MY56D1 Myrina™ Pull-Down Kitchen Faucet with U-Spout**

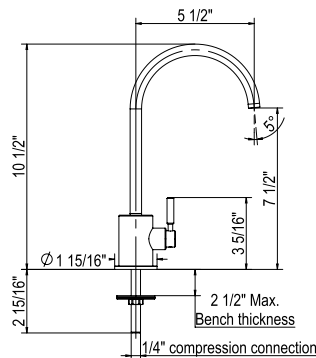


NEW

**Suggested Retail Price**

	APC	PN	STN	MB	SG
MY56D1LM_	748	898	935	973	1063

- Dual-spray functionality with stream and spray settings
- 1.75 GPM at 60 PSI (CEC compliant)
- Requires 2 1/2" clearance from backsplash to center of faucet hole



**R7517 Lux™ Filter Kitchen Faucet**



**Suggested Retail Price**

	APC	PN	STN	SS	MB	AG	SG	ULB
R7517_	314	376	393	399	408	444	444	444

- May be used with HRK-2000 inline filter system
- Not suitable for reverse osmosis systems or instant hot systems
- .5 GPM at 45 PSI (CEC compliant)





APC



PN



STN



MB



SG



Home



Index

1983

ACQUI

CAMPO

CINQUANTA

ECLISSI

GOTHAM

GRACELINE

LOMBARDIA

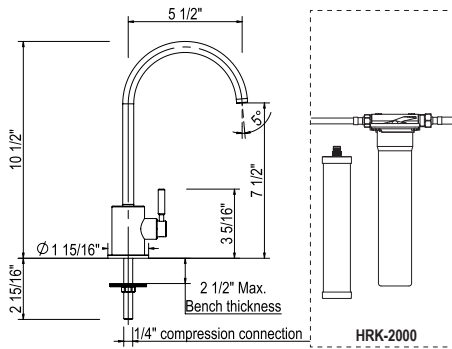
LUX

MYRINA

PATRIZIA

PIRELLONE

QUARTILE

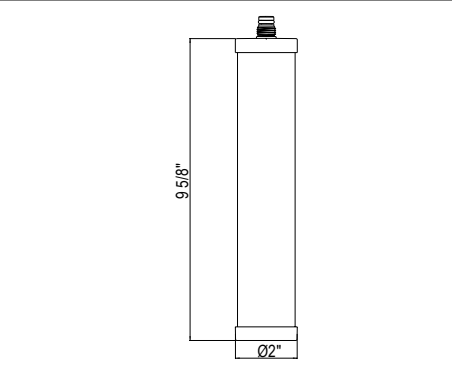


### RKIT7517 Lux™ Filter Kitchen Faucet Kit

#### Suggested Retail Price

	APC	PN	STN	SS	MB	AG	SG	ULB
RKIT7517	953	1015	1032	1038	1047	1083	1083	1083

- .5 GPM at 45 PSI (CEC compliant)
- Includes HRK-2000 filtration system



### HRF-1000 Arolla™ Replacement Filter Cartridge

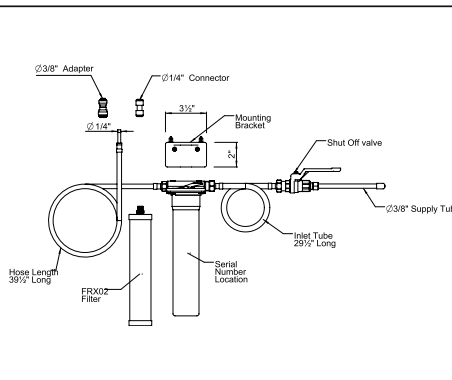
#### Suggested Retail Price

	\$
HRF-1000	106

- Replacement cartridge for HRK-2000 filter system
- Recommend changing filter every 6 months or 1,000 gallons



PERRIN & ROWE  
ROHL



### HRK-2000 Arolla™ Filtration System With Cartridge

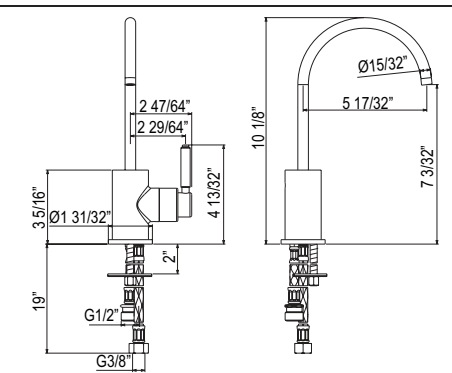
#### Suggested Retail Price

	\$
HRK-2000	639

- Includes cartridge, housing and connector hoses
- Filter faucet not included
- Recommend changing filter every 6 months or 1,000 gallons
- For replacement filter cartridge, order HRF-1000: \$106
- Recommend changing filter system every 3 years due to constant water pressure on the inlet



PERRIN & ROWE  
ROHL

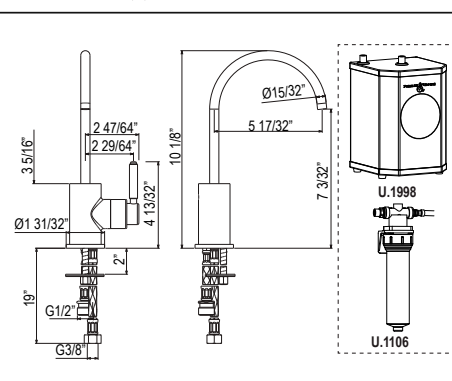


### G7545 Lux™ Hot Water Dispenser

#### Suggested Retail Price

Handle	APC	PN	STN	MB	TCB
G7545LM	-2	331	428	634	634

- 1.2 GPM at 45 PSI (CEC compliant)
- For use with U.1998 high performance hot water tank and U.1106 filter



### GKIT7545 Lux™ Hot Water Dispenser, Tank And Filter Kit

#### Suggested Retail Price

Handle	APC	PN	STN	MB	TCB
GKIT7545LM	-2	1573	1670	1876	1876

- .5 GPM at 45 PSI (CEC compliant)
- Order U.PRF1 for hot water replacement filter cartridge
- Includes U.1998 Hot water tank and U.1106 filter system



1983

ACQUI

CAMPO

CINQUANTA

ECLISSI

GOTHAM

GRACELINE

LOMBARDIA

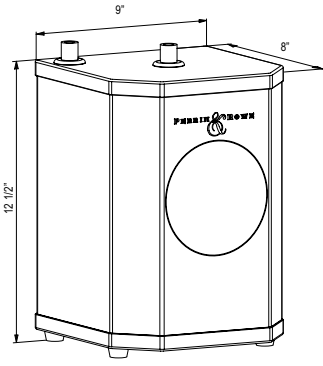
LUX

MYRINA

PATRIZIA

PIRELLONE

QUARTILE



### U.1998 High Performance Hot Water Tank

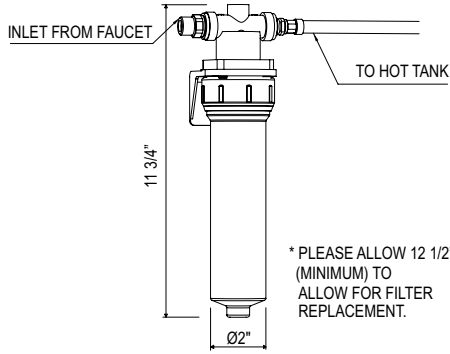


PERRIN & ROWE

**Suggested Retail Price**

	\$
U.1998	887

- 3-Year limited warranty
- Not compatible with ISE type dispensers



### U.1106 Hot Water Filtration System

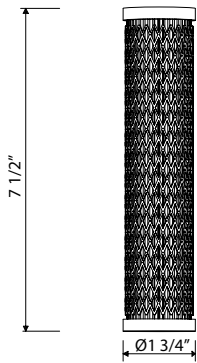


PERRIN & ROWE

**Suggested Retail Price**

	\$
U.1106	355

- Includes cartridge, housing and connection hoses
- Filter faucet not included
- For replacement filter cartridge, order U.PRF1: \$123
- Recommend changing filter every 6 months or 1,000 gallons



### U.PRF1 Hot Water Replacement Filter Cartridge

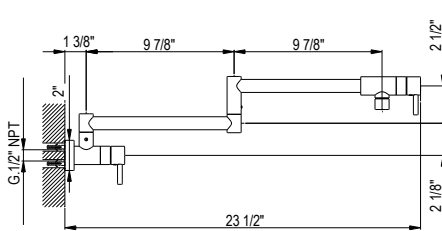


PERRIN & ROWE

**Suggested Retail Price**

	\$
U.PRF1	123

- Designed for use with U.1106 and U.1408 hot water filtration systems
- Recommend changing filter every 6 months or 1,000 gallons



### QL66 Modern Pot Filler

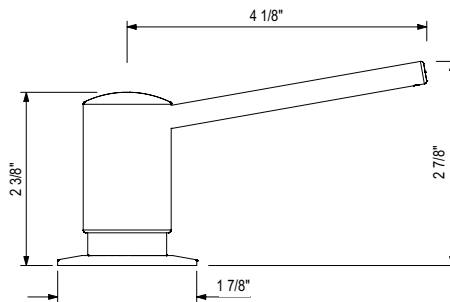


PERRIN & ROWE

**Suggested Retail Price**

Handle	APC	PN	STN	MB	ULB
QL66L-_-_-2	1484	1780	2077	2077	2045

- Dual quarter turn lever handle shut-offs, one at the wall and one at the outlet
- Folds away when not in use
- 1.8 GPM at 60 PSI (CEC compliant)



### LS450 Soap Dispenser



PERRIN & ROWE

**Suggested Retail Price**

	APC	PN	STN	SS	MB
LS450L_-_-	157	188	196	169	204

- Brass construction
- 12 fluid ounce bottle capacity
- Top fill



APC



PN



STN



MB



SG



Home



Index

1983

ACQUI

CAMPO

CINQUANTA

ECLISSI

GOTHAM

GRACELINE

LOMBARDIA

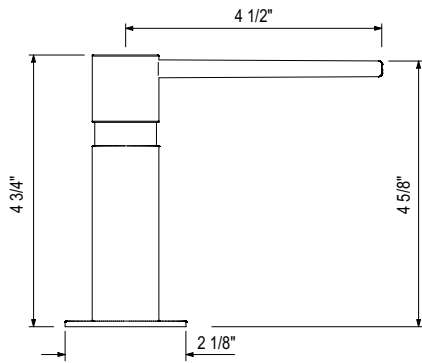
LUX

MYRINA

PATRIZIA

PIRELLONE

QUARTILE



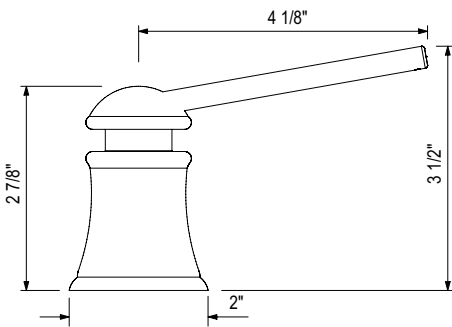
### LS2150 Soap Dispenser



#### Suggested Retail Price

	APC	PN	STN	MB	SG
LS2150 __	430	516	537	559	671

- Brass construction
- 12 fluid ounce bottle capacity
- Top fill
- Deep deck extension available, order part: LS850PEXT



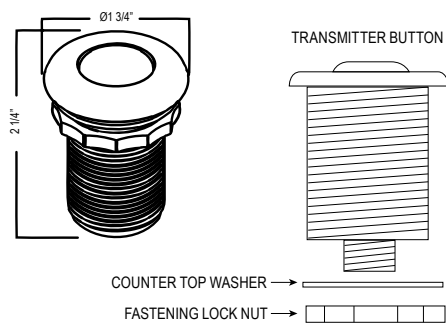
### LS950C Soap Dispenser



#### Suggested Retail Price

	APC	PN	STN	TCB
LS950C __	190	228	237	270

- Brass construction
- 12 fluid ounce bottle capacity
- Top fill



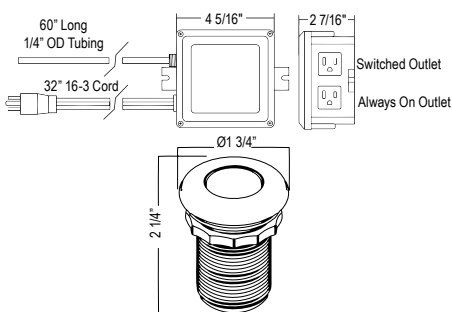
### AS425 Waste Disposal Air Switch Button



#### Suggested Retail Price

	APC	PN	STN	SS	MB	AG	IB	SG	TCB	ULB
AS425 __	100	120	125	110	130	142	142	321	142	142

- Remote on/off air switch button for activating garbage disposals
- Solution for island countertops or where an electrical switch is not available



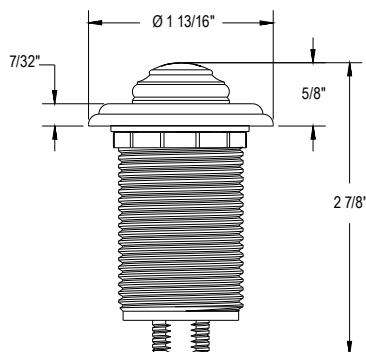
### AS450 Waste Disposal Control Box With Air Switch Button



#### Suggested Retail Price

	APC	PN	STN	SS	MB	AG	IB	SG	TCB	ULB
AS450 __	301	361	376	311	391	349	428	522	428	428

- Remote on/off air switch button for activating garbage disposals
- Solution for island countertops or where an electrical switch is not available
- Control box with mounting hardware included



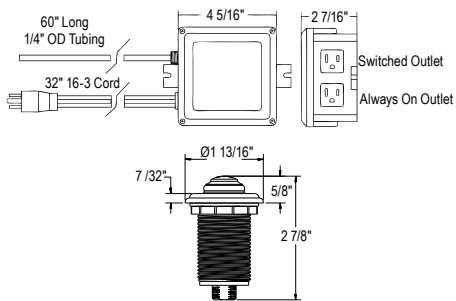
### AS525 Waste Disposal Air Switch Button



#### Suggested Retail Price

	APC	PN	STN	MB	IB	TCB	ULB
AS525 __	156	187	195	203	221	221	221

- Includes ROHL branding on top of button
- Remote on/off air switch button for activating garbage disposals



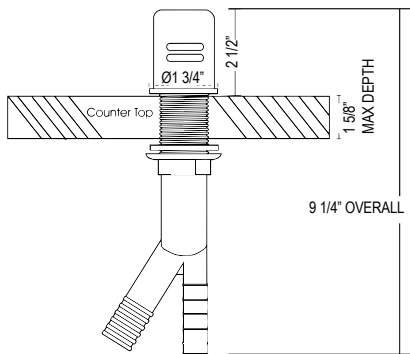
**AS550 Waste Disposal Control Box With Air Switch Button**



**Suggested Retail Price**

	APC	PN	STN	MB	IB	TCB	ULB
AS550 __	357	428	446	464	507	507	507

- Includes ROHL branding on top of button
- Remote on/off air switch button for activating garbage disposals
- Control box with mounting hardware included



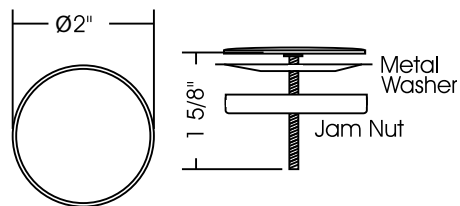
**AG600 Air Gap**



**Suggested Retail Price**

	AG	APC	PN	STN	SS	MB	IB	SG	TCB	ULB
AG600 __	100	71	85	88	90	92	100	375	100	100

- Prevents contaminated sink water from entering the dishwasher



**SHC-1 Sink Hole Cover**



**Suggested Retail Price**

	APC	PN	STN	MB	IB	BK	WH
SHC-1 __	18	42	42	30	98	30	30

- Biscuit coordinates with Shaws Fireclay Parchment sinks

# PATRIZIA™

The name Patrizia means royal and the Patrizia™ Collection of pull-down faucets does project a stately presence, combining nuances of the past with the simplicity of today. Understated details ringing the base and spout add elegance to the clean lines of a column ending in a graceful arc. The fluted tip has a subtle, noble air. Finely tailored and crafted, capturing the essence of Italy's aristocratic age within a contemporary form, Patrizia is designed for kitchens of a transitional or traditional nature.



A3420LMSTN

### Handle Options



Metal Lever  
LM

### Available Finishes:



Polished Chrome  
APC



Polished Nickel  
PN



Satin Nickel  
STN



Matte Black  
MB



Italian Brass  
IB



Tuscan Brass®  
TCB



Unlacquered Brass  
ULB

See product page for available finishes



KITCHEN & BAR FAUCETS



A3420S  
page 112



A3420  
page 112

FILTRATION / OTHER



A1445  
page 114



AKIT1635  
page 112



GKIT1655  
page 113



GKIT1445  
page 113

See product page for available finishes.

SOAP DISPENSERS



**LS650C**  
page 114



**LS850P**  
page 115

AIR SWITCH



**AS450**  
page 115



**AS550**  
page 115

SINKS



**6347**  
page 4



**6337**  
page 6



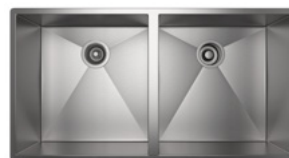
**RC2418**  
Shaws® Price Book



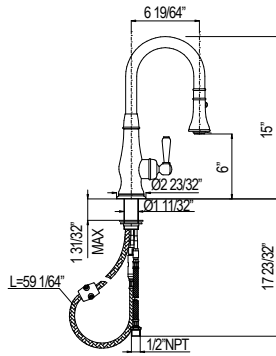
**RC3021**  
Shaws® Price Book



**RSS2418**  
page 14



**RSS3518**  
page 16



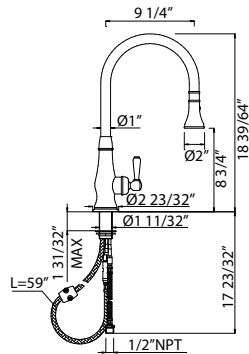
**A3420S Patrizia™ Pull-Down Bar/Food Prep Kitchen Faucet**



**Suggested Retail Price**

Handle	APC	PN	STN	MB	IB	TCB	ULB
A3420SLM __ -2	973	1167	1303	1303	1382	1382	1382

- Water activates by pushing handle inwards toward spout
- Dual-spray functionality with stream and spray settings
- 1.8 GPM at 60 PSI (CEC compliant)
- Requires 2 1/2" clearance from backsplash to center of faucet hole
- Matching bar/prep faucet for A3420



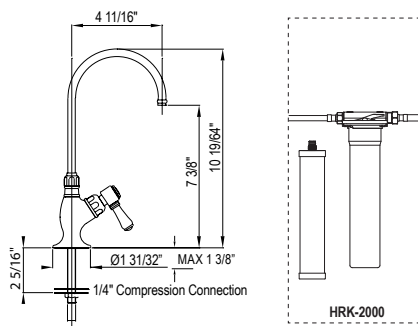
**A3420 Patrizia™ Pull-Down Kitchen Faucet**



**Suggested Retail Price**

Handle	APC	PN	STN	MB	IB	TCB	ULB
A3420LM __ -2	1017	1220	1362	1362	1445	1445	1445

- Water activates by pushing handle inwards toward spout
- Dual-spray functionality with stream and spray settings
- 1.8 GPM at 60 PSI (CEC compliant)
- Requires 2 1/2" clearance from backsplash to center of faucet hole



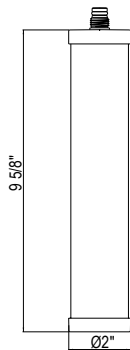
**AKIT1635 San Julio® Filter Kitchen Faucet Kit**



**Suggested Retail Price**

Handle	APC	PN	STN	MB	IB	TCB	ULB
AKIT1635LM __ -2	992	1062	1142	1142	1142	1142	1127

- 5 GPM at 45 PSI (CEC compliant)
- Includes HRK-2000 filtration system



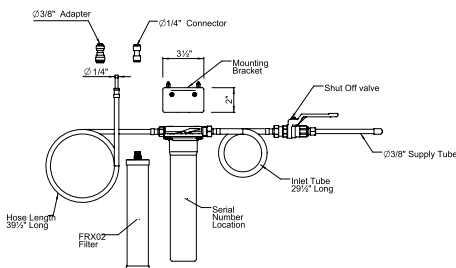
**HRF-1000 Arolla™ Replacement Filter Cartridge**



**Suggested Retail Price**

	\$
HRF-1000	106

- Replacement cartridge for HRK-2000 filter system
- Recommend changing filter every 6 months or 1,000 gallons



**HRK-2000 Arolla™ Filtration System With Cartridge**



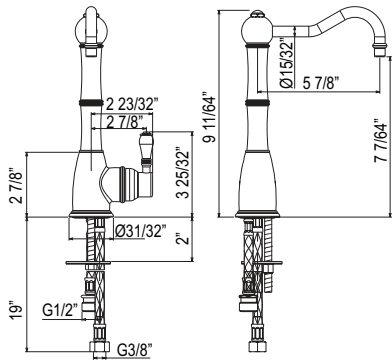
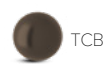
**Suggested Retail Price**

	\$
HRK-2000	639

- Includes cartridge, housing and connection hoses
- Filter faucet not included
- Recommend changing filter every 6 months or 1,000 gallons
- For replacement filter cartridge, order HRF-1000: \$106
- Recommend changing filter system every 3 years due to constant water pressure on the inlet





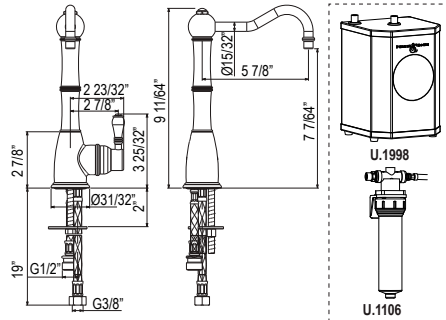


### G1445 Acqui® Hot Water Dispenser

**Suggested Retail Price**

Handle	APC	PN	STN	MB	IB	TCB	ULB
G1445LM_-2	439	568	634	634	675	634	634

- 1.2 GPM at 45 PSI (CEC compliant)
- For use with U.1998 high performance hot water tank and U.1106 filter

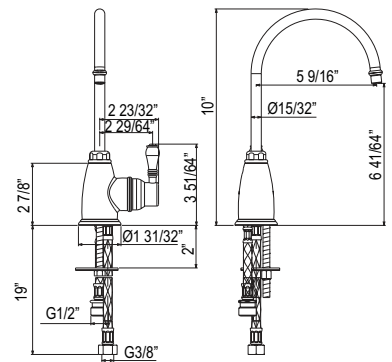


### GKIT1445 Acqui® Hot Water Dispenser, Tank And Filter Kit

**Suggested Retail Price**

Handle	APC	PN	STN	MB	IB	TCB	ULB
GKIT1445LM_-2	1681	1810	1876	1876	1917	1876	1876

- .5 GPM at 45 PSI (CEC compliant)
- Order U.PRF1 for hot water replacement filter cartridge
- Includes U.1998 Hot water tank and U.1106 filter system

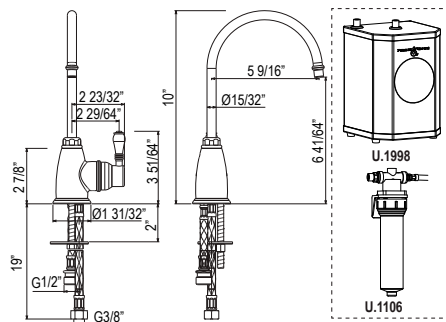


### G1655 San Julio® Hot Water Dispenser

**Suggested Retail Price**

Handle	APC	PN	STN	MB	IB	TCB	ULB
G1655LM_-2	380	491	634	634	675	634	634

- 1.2 GPM at 45 PSI (CEC compliant)
- For use with U.1998 high performance hot water tank and U.1106 filter

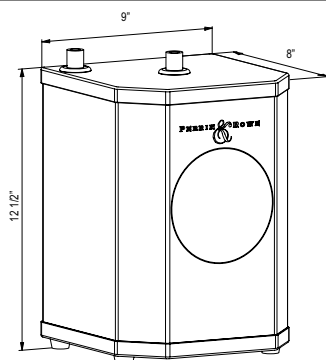


### GKIT1655 San Julio® Hot Water Dispenser, Tank And Filter Kit

**Suggested Retail Price**

Handle	APC	PN	STN	MB	IB	TCB	ULB
GKIT1655LM_-2	1622	1733	1876	1876	1917	1876	1876

- .5 GPM at 45 PSI (CEC compliant)
- Order U.PRF1 for hot water replacement filter cartridge
- Includes U.1998 Hot water tank and U.1106 filter system



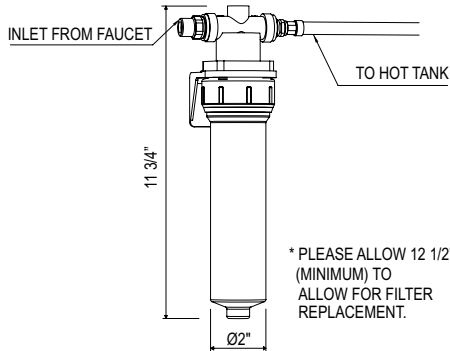
### U.1998 High Performance Hot Water Tank

**Suggested Retail Price**

Handle	Suggested Retail Price
U.1998	\$ 887

- 3-Year limited warranty
- Not compatible with ISE type dispensers





**U.1106 Hot Water Filtration System**

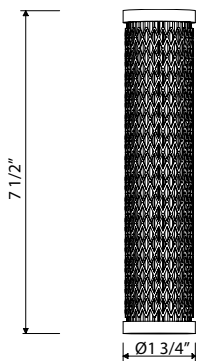


**Suggested Retail Price**

	\$
U.1106	355

- Includes cartridge, housing and connection hoses
- Filter faucet not included
- For replacement filter cartridge, order U.PRF1: \$123
- Recommend changing filter every 6 months or 1,000 gallons

\* PLEASE ALLOW 12 1/2" (MINIMUM) TO ALLOW FOR FILTER REPLACEMENT.



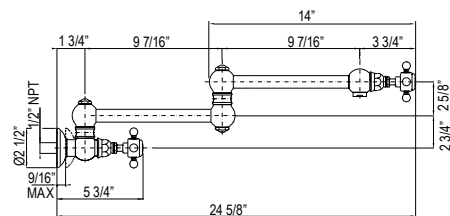
**U.PRF1 Hot Water Replacement Filter Cartridge**



**Suggested Retail Price**

	\$
U.PRF1	123

- Designed for use with U.1106 and U.1408 hot water filtration systems
- Recommend changing filter every 6 months or 1,000 gallons



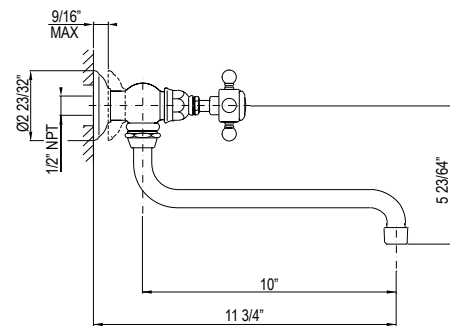
**A1451 Pot Filler**



**Suggested Retail Price**

Handle	APC	PN	STN	IB	TCB	ULB
A1451LM __ -2	1137	1364	1449	1615	1615	1615
A1451LP __ -2	1137	1364	1449	1615	1615	1615
A1451X __ -2	1137	1364	1449	1615	1615	1615
A1451XM __ -2	1137	1364	1449	1615	1615	1615

- Folds away when not in use
- 1.5 GPM at 60 PSI (CEC compliant)



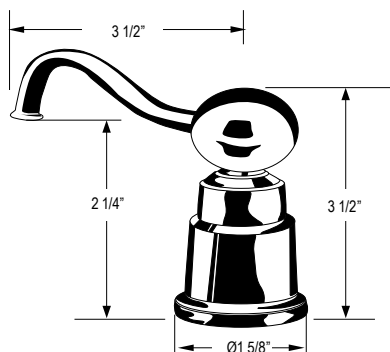
**A1445 Pot Filler**



**Suggested Retail Price**

Handle	APC	PN	STN	IB	TCB
A1445X __ -2	349	418	484	496	496
A1445XM __ -2	349	418	484	496	496

- Folds away when not in use
- 1.5 GPM at 60 PSI (CEC compliant)



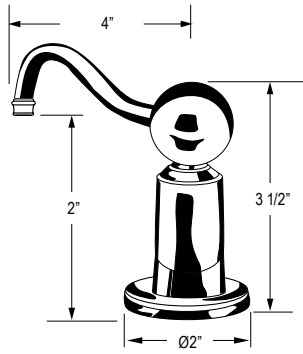
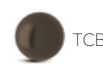
**LS650C Soap Dispenser**



**Suggested Retail Price**

	APC	PN	STN	RG	TCB
LS650C __	253	303	316	415	359

- Brass construction
- 12 fluid ounce bottle capacity
- Top fill
- Deep deck extension available, order part: LS850PEXT



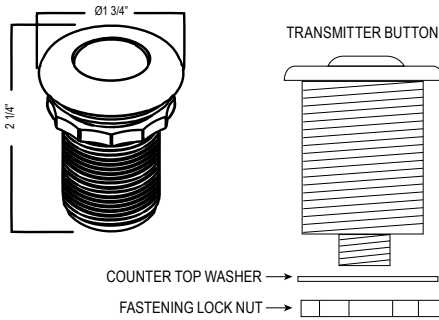
### LS850P Soap Dispenser



#### Suggested Retail Price

	APC	PN	STN	MB	IB	ULB
LS850P __	314	376	392	418	445	470

- Brass construction
- 12 fluid ounce bottle capacity
- Top fill



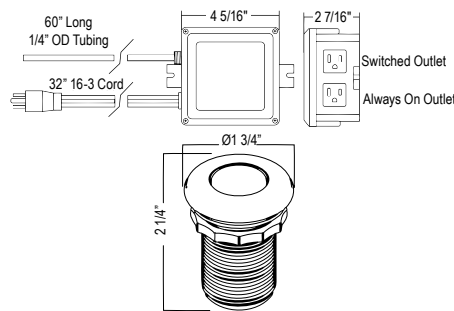
### AS425 Waste Disposal Air Switch Button



#### Suggested Retail Price

	APC	PN	STN	SS	MB	AG	IB	SG	TCB	ULB
AS425 __	100	120	125	110	130	142	142	321	142	142

- Remote on/off air switch button for activating garbage disposals
- Solution for island countertops or where an electrical switch is not available



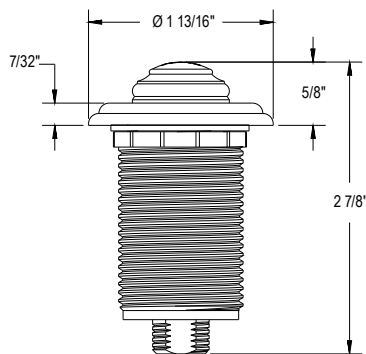
### AS450 Waste Disposal Control Box With Air Switch Button



#### Suggested Retail Price

	APC	PN	STN	SS	MB	AG	IB	SG	TCB	ULB
AS450 __	301	361	376	311	391	349	428	522	428	428

- Remote on/off air switch button for activating garbage disposals
- Solution for island countertops or where an electrical switch is not available
- Control box with mounting hardware included



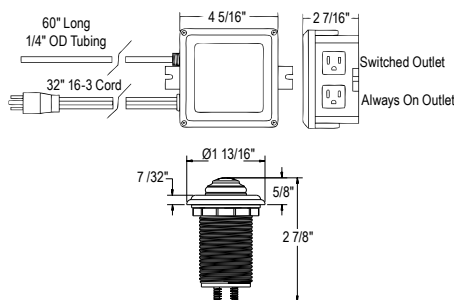
### AS525 Waste Disposal Air Switch Button



#### Suggested Retail Price

	APC	PN	STN	MB	IB	TCB	ULB
AS525 __	156	187	195	203	221	221	221

- Includes ROHL branding on top of button
- Remote on/off air switch button for activating garbage disposals



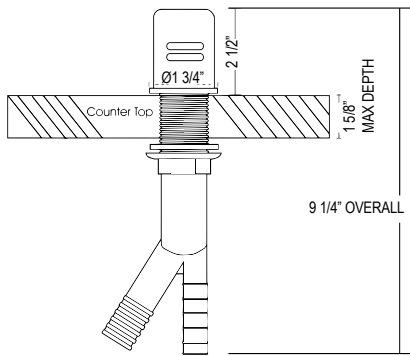
### AS550 Waste Disposal Control Box With Air Switch Button



#### Suggested Retail Price

	APC	PN	STN	MB	IB	TCB	ULB
AS550 __	357	428	446	464	507	507	507

- Includes ROHL branding on top of button
- Remote on/off air switch button for activating garbage disposals
- Control box with mounting hardware included

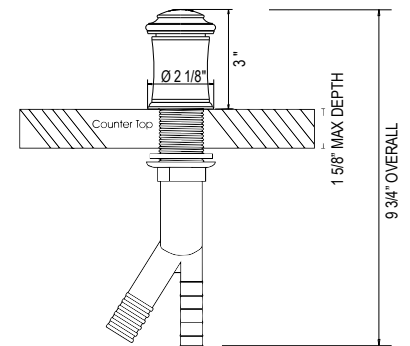


**AG600 Air Gap**



Suggested Retail Price										
	AG	APC	PN	STN	SS	MB	IB	SG	TCB	ULB
AG600 __	100	71	85	88	90	92	100	375	100	100

- Prevents contaminated sink water from entering the dishwasher

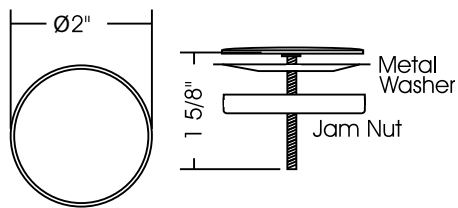


**AG700 Air Gap**



Suggested Retail Price						
	APC	PN	STN	MB	IB	TCB
AG700 __	187	224	234	243	265	265

- Includes ROHL branding on top of air gap
- Prevents contaminated sink water from entering the dishwasher



**SHC-1 Sink Hole Cover**



Suggested Retail Price							
	APC	PN	STN	MB	IB	BK	WH
SHC-1 __	18	42	42	30	98	30	30

- Biscuit coordinates with Shaws Fireclay Parchment sinks

# PIRELLONE™

Italian architect Gio Ponti was renowned for his modernist creations, most impressively the Pirelli skyscraper in Milan. The Pirellone™ Collection follows the slim, tapering line of the towering structure to elevate modern and transitional kitchens to new heights. The clean, crisp arc of the neck and squared-off handle and base draw the eye upward, just like its namesake. The Pirellone's lack of ornamentation lets the pure shape speak for itself, creating a statement of sleek simplicity.



CY57LAPC

#### Available Finishes:



*Polished Chrome*  
APC



*Polished Nickel*  
PN



*Satin Nickel*  
STN



*Matte Black*  
MB

*See product page for available finishes*



KITCHEN & BAR FAUCETS



LS53L  
page 120



LS57  
page 120



LS64  
page 120



CY657  
page 120



CY57  
page 120

FILTRATION / OTHER



QL66  
page 122



RKIT7517  
page 121



GKIT7545  
page 122



See product page for available finishes.

SOAP DISPENSERS



LS450  
page 123



LS2150  
page 123



LS950C  
page 123

AIR SWITCH



AS450  
page 123



AS550  
page 124

SINKS



6347  
page 4



6497  
page 5



RC3618  
Shaws® Price Book



RC4019  
Shaws® Price Book



RSA3018  
page 19



RUWKIT36161  
page 20



1983

ACQUI

CAMPO

CINQUANTA

ECLISSI

GOTHAM

GRACELINE

LOMBARDIA

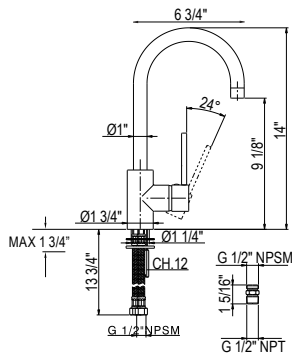
LUX

MYRINA

PATRIZIA

PIRELLONE

QUARTILE



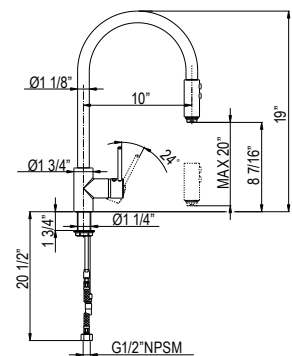
**LS53 Pirellone™ Bar/Food Prep Kitchen Faucet**



**Suggested Retail Price**

Handle	APC	PN	STN	MB
LS53L-_-_-2	1025	1230	1433	1333

- Single-spray functionality
- 1.8 GPM at 60 PSI (CEC compliant)
- Requires 2 1/2" clearance from backsplash to center of faucet hole
- Matching bar faucet for LS57L and LS64L



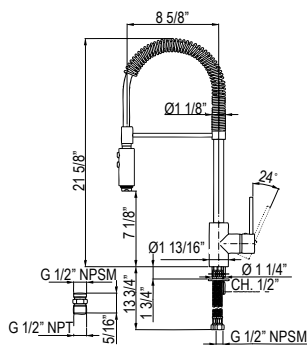
**LS57 Pirellone™ Tall Pull-Down Kitchen Faucet**



**Suggested Retail Price**

Handle	APC	PN	STN	MB
LS57L-_-_-2	1711	2053	2346	

- Dual-spray functionality with stream and spray settings
- 1.8 GPM at 60 PSI (CEC compliant)
- Requires 2 1/2" clearance from backsplash to center of faucet hole
- Matching kitchen faucet for LS53L



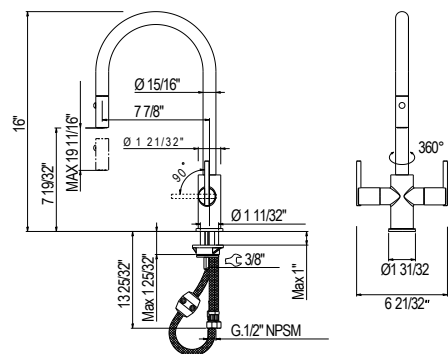
**LS64 Pirellone™ Tall Pull-Down Kitchen Faucet**



**Suggested Retail Price**

Handle	APC	PN	STN	MB
LS64L-_-_-2	2223	2668	2894	

- Dual-spray functionality with stream and spray settings
- 1.8 GPM at 60 PSI (CEC compliant)
- Requires 2 1/2" clearance from backsplash to center of faucet hole



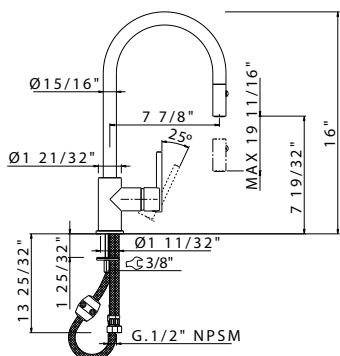
**CY657 Pirellone™ Two Handle Pull-Down Kitchen Faucet**



**Suggested Retail Price**

Handle	APC	PN	STN	MB
CY657L-_-_-2	680	816	994	885

- Dual-spray functionality with stream and spray settings
- 1.8 GPM at 60 PSI (CEC compliant)
- Requires 2 1/2" clearance from backsplash to center of faucet hole



**CY57 Pirellone™ Pull-Down Kitchen Faucet**

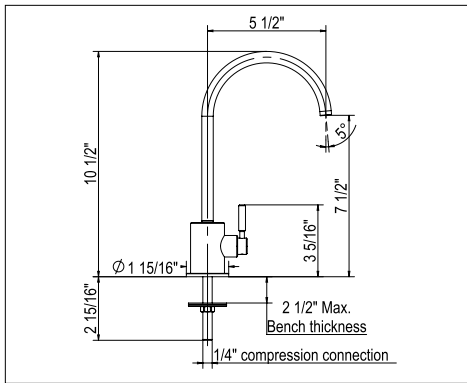


**Suggested Retail Price**

Handle	APC	PN	STN	MB
CY57L-_-_-2	634	761	940	824

- Dual-spray functionality with stream and spray settings
- 1.8 GPM at 60 PSI (CEC compliant)
- Requires 2 1/2" clearance from backsplash to center of faucet hole





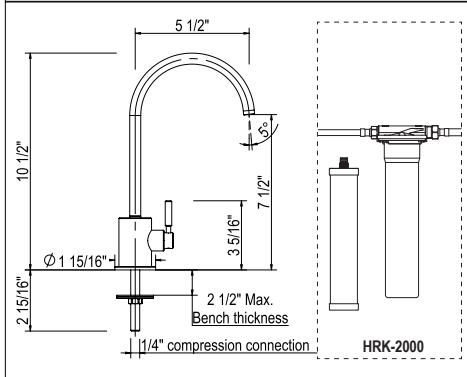
**R7517 Lux™ Filter Kitchen Faucet**



**Suggested Retail Price**

	APC	PN	STN	SS	MB	AG	S6	ULB
R7517	314	376	393	399	408	444	444	444

- May be used with HRK-2000 inline filter system
- Not suitable for reverse osmosis systems or instant hot systems
- .5 GPM at 45 PSI (CEC compliant)



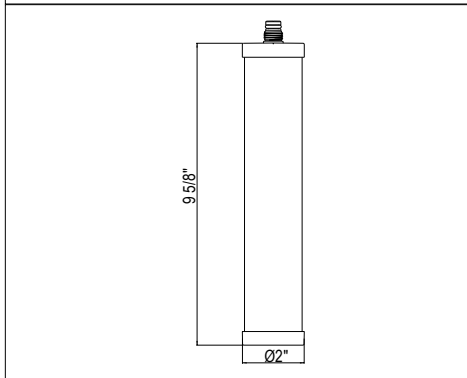
**RKIT7517 Lux™ Filter Kitchen Faucet Kit**



**Suggested Retail Price**

	APC	PN	STN	SS	MB	AG	S6	ULB
RKIT7517	953	1015	1032	1038	1047	1083	1083	1083

- .5 GPM at 45 PSI (CEC compliant)
- Includes HRK-2000 filtration system



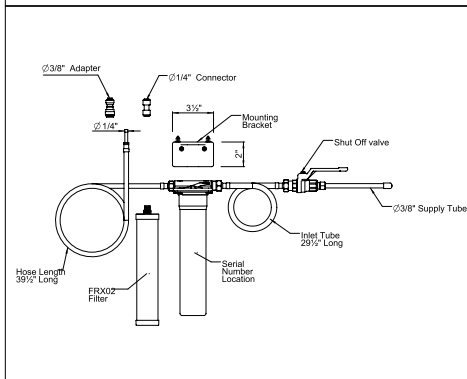
**HRF-1000 Arolla™ Replacement Filter Cartridge**



**Suggested Retail Price**

	\$
HRF-1000	106

- Replacement cartridge for HRK-2000 filter system
- Recommend changing filter every 6 months or 1,000 gallons



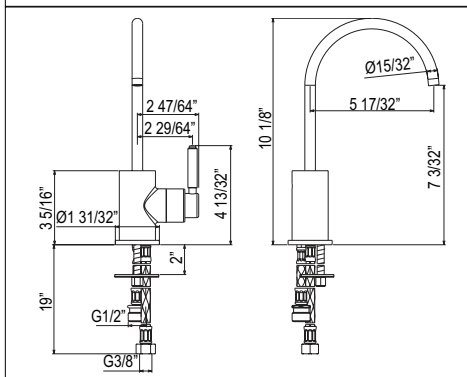
**HRK-2000 Arolla™ Filtration System With Cartridge**



**Suggested Retail Price**

	\$
HRK-2000	639

- Includes cartridge, housing and connection hoses
- Filter faucet not included
- Recommend changing filter every 6 months or 1,000 gallons
- For replacement filter cartridge, order HRF-1000: \$106
- Recommend changing filter system every 3 years due to constant water pressure on the inlet



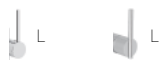
**G7545 Lux™ Hot Water Dispenser**



**Suggested Retail Price**

Handle	APC	PN	STN	MB	TCB
G7545LM	-2	331	428	634	634

- 1.2 GPM at 45 PSI (CEC compliant)
- For use with U.1998 high performance hot water tank and U.1106 filter



1983

ACQUI

CAMPO

CINQUANTA

ECLISSI

GOTHAM

GRACELINE

LOMBARDIA

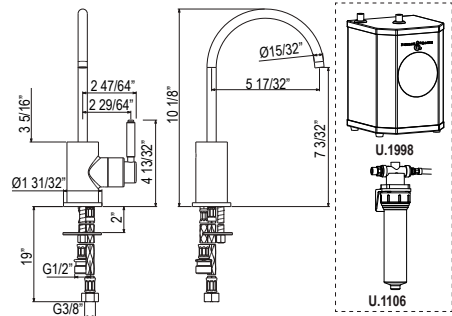
LUX

MYRINA

PATRIZIA

PIRELLONE

QUARTILE



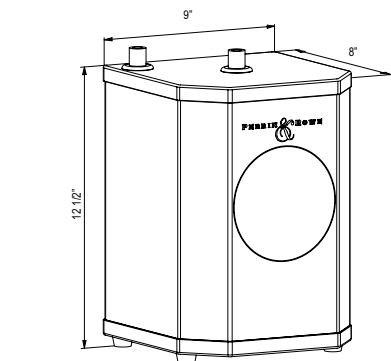
### GKIT7545 Lux™ Hot Water Dispenser, Tank And Filter Kit

**Suggested Retail Price**

Handle	APC	PN	STN	MB	TCB
GKIT7545LM	-2	1573	1670	1876	1876



- .5 GPM at 45 PSI (CEC compliant)
- Order U.PRF1 for hot water replacement filter cartridge
- Includes U.1998 Hot water tank and U.1106 filter system



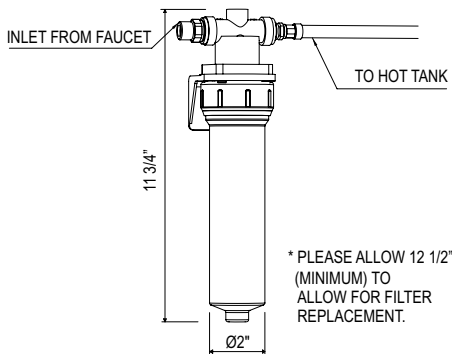
### U.1998 High Performance Hot Water Tank

**Suggested Retail Price**

	\$
U.1998	887



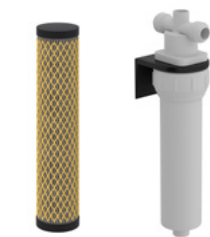
- 3-Year limited warranty
- Not compatible with ISE type dispensers



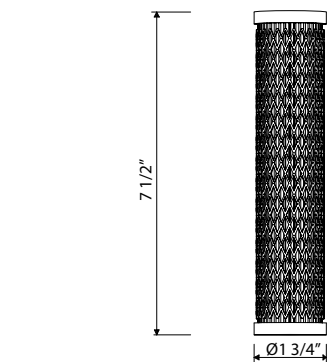
### U.1106 Hot Water Filtration System

**Suggested Retail Price**

	\$
U.1106	355



- Includes cartridge, housing and connection hoses
- Filter faucet not included
- For replacement filter cartridge, order U.PRF1: \$123
- Recommend changing filter every 6 months or 1,000 gallons



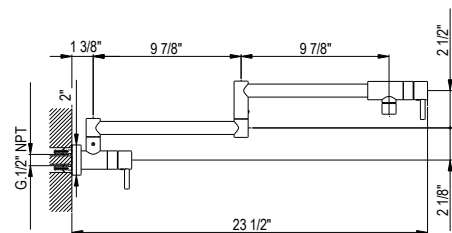
### U.PRF1 Hot Water Replacement Filter Cartridge

**Suggested Retail Price**

	\$
U.PRF1	123



- Designed for use with U.1106 and U.1408 hot water filtration systems
- Recommend changing filter every 6 months or 1,000 gallons



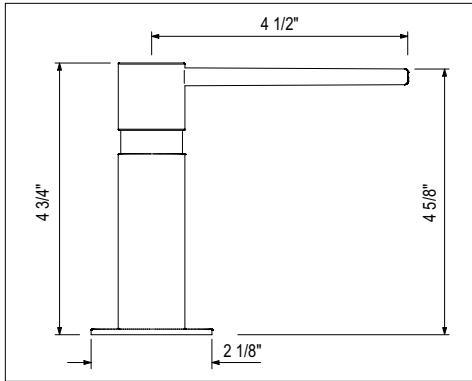
### QL66 Modern Pot Filler

**Suggested Retail Price**

Handle	APC	PN	STN	MB	ULB
QL66L	-2	1484	1780	2077	2045



- Dual quarter turn lever handle shut-offs, one at the wall and one at the outlet
- Folds away when not in use
- 1.8 GPM at 60 PSI (CEC compliant)



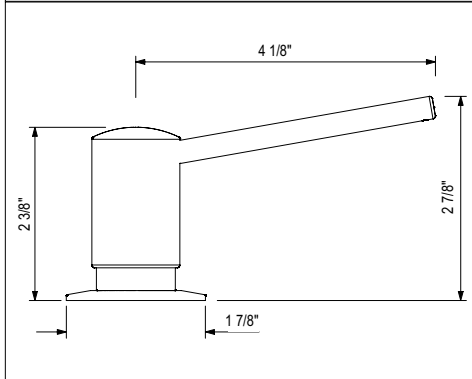
**LS2150 Soap Dispenser**



**Suggested Retail Price**

	APC	PN	STN	MB	SG
LS2150 __	430	516	537	559	671

- Brass construction
- 12 fluid ounce bottle capacity
- Top fill
- Deep deck extension available, order part: LS850PEXT



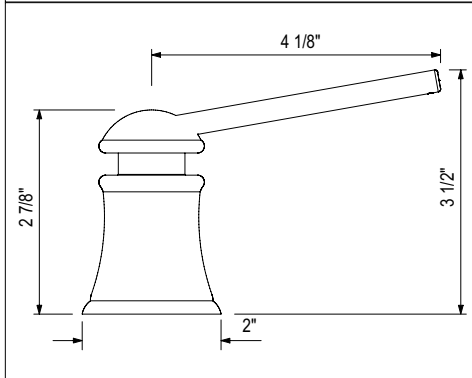
**LS450 Soap Dispenser**



**Suggested Retail Price**

	APC	PN	STN	SS	MB
LS450L __	157	188	196	169	204

- Brass construction
- 12 fluid ounce bottle capacity
- Top fill



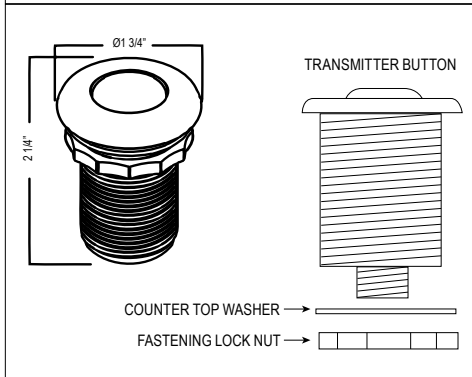
**LS950C Soap Dispenser**



**Suggested Retail Price**

	APC	PN	STN	TCB
LS950C __	190	228	237	270

- Brass construction
- 12 fluid ounce bottle capacity
- Top fill



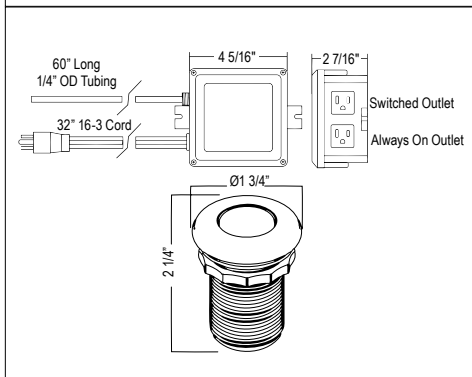
**AS425 Waste Disposal Air Switch Button**



**Suggested Retail Price**

	APC	PN	STN	SS	MB	AG	IB	SG	TCB	ULB
AS425 __	100	120	125	110	130	142	142	321	142	142

- Remote on/off air switch button for activating garbage disposals
- Solution for island countertops or where an electrical switch is not available



**AS450 Waste Disposal Control Box With Air Switch Button**



**Suggested Retail Price**

	APC	PN	STN	SS	MB	AG	IB	SG	TCB	ULB
AS450 __	301	361	376	311	391	349	428	522	428	428

- Remote on/off air switch button for activating garbage disposals
- Solution for island countertops or where an electrical switch is not available
- Control box with mounting hardware included



1983

ACQUI

CAMPO

CINQUANTA

ECLISSI

GOTHAM

GRACELINE

LOMBARDIA

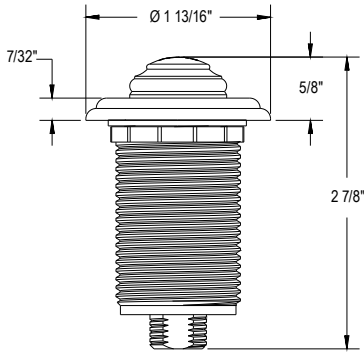
LUX

MYRINA

PATRIZIA

PIRELLONE

QUARTILE



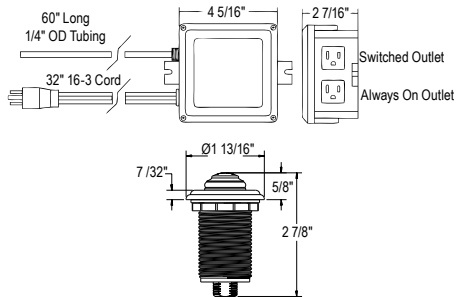
### AS525 Waste Disposal Air Switch Button



**Suggested Retail Price**

	APC	PN	STN	MB	IB	TCB	ULB
AS525 __	156	187	195	203	221	221	221

- Includes ROHL branding on top of button
- Remote on/off air switch button for activating garbage disposals



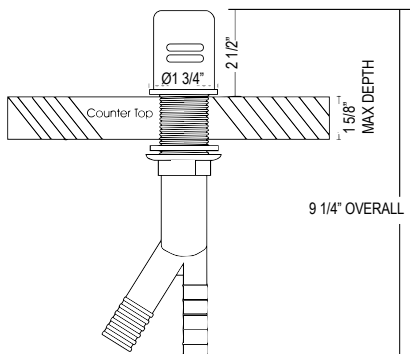
### AS550 Waste Disposal Control Box With Air Switch Button



**Suggested Retail Price**

	APC	PN	STN	MB	IB	TCB	ULB
AS550 __	357	428	446	464	507	507	507

- Includes ROHL branding on top of button
- Remote on/off air switch button for activating garbage disposals
- Control box with mounting hardware included



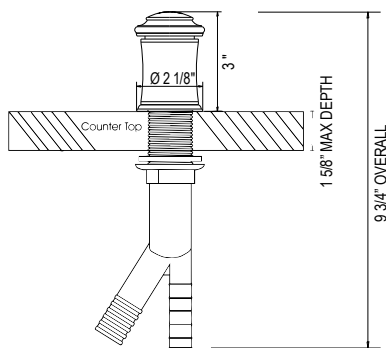
### AG600 Air Gap



**Suggested Retail Price**

	AG	APC	PN	STN	SS	MB	IB	SG	TCB	ULB
AG600 __	100	71	85	88	90	92	100	375	100	100

- Prevents contaminated sink water from entering the dishwasher



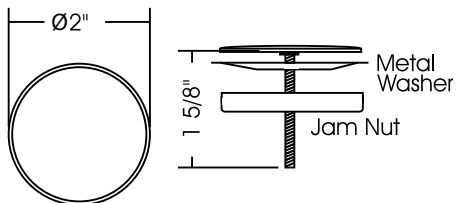
### AG700 Air Gap



**Suggested Retail Price**

	APC	PN	STN	MB	IB	TCB
AG700 __	187	224	234	243	265	265

- Includes ROHL branding on top of air gap
- Prevents contaminated sink water from entering the dishwasher



### SHC-1 Sink Hole Cover



**Suggested Retail Price**

	APC	PN	STN	MB	IB	BK	WH
SHC-1 __	18	42	42	30	98	30	30

- Biscuit coordinates with Shaws Fireclay Parchment sinks

# QUARTILE™

The Quartile™ Collection is inspired by the Cubist architecture of Milan. Quartile honors this modernist style with four-sided, geometric designs for the kitchen. The Collection reimagines the curve of the neck with a squared-off shape that dramatically extends into space, complemented by a parallel rectangular lever. There's a sense of upward motion that comes to life when water flows from the spout. Authentically crafted, the Quartile Collection is a natural fit for modern, industrial and transitional décor.



CU57LAPC

## Handle Options



## Available Finishes:



*Polished Chrome*  
APC



*Polished Nickel*  
PN



*Satin Nickel*  
STN



*Matte Black*  
MB

*See product page for available finishes*



KITCHEN & BAR FAUCETS



CU253  
page 128



CU57  
page 128

FILTRATION / OTHER



QL66  
page 130



RKIT7517  
page 128



GKIT7545  
page 129

See product page for available finishes.

SOAP DISPENSERS



LS450  
page 130



LS2150  
page 130



LS950C  
page 130

AIR SWITCH



AS450  
page 131



AS550  
page 131

SINKS



6337  
page 6



6347  
page 4



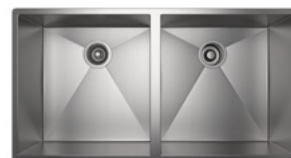
RC3017  
Shaws® Price Book



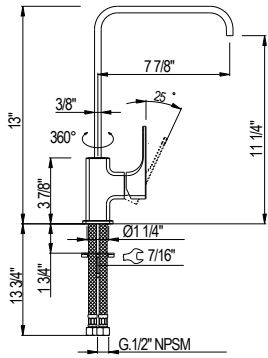
RC4018  
Shaws® Price Book



RSS3018  
page 15



RSS3518  
page 16



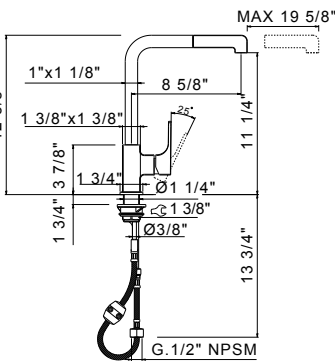
**CU253 Quartile™ Bar/Food Prep Kitchen Faucet**



**Suggested Retail Price**

Handle	APC	PN	STN	MB
CU253L-__-2	620	743	876	847

- Single-spray functionality
- 1.8 GPM at 60 PSI (CEC compliant)
- Requires 2 1/2" clearance from backsplash to center of faucet hole
- Matching bar/prep faucet for CU57



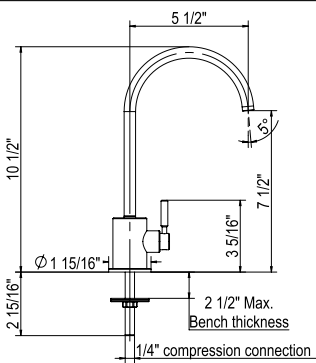
**CU57 Quartile™ Pull-Out Kitchen Faucet**



**Suggested Retail Price**

Handle	APC	PN	STN	MB
CU57L-__-2	798	957	1142	1037

- Dual-spray functionality with stream and spray settings
- 1.8 GPM at 60 PSI (CEC compliant)
- Requires 2 1/2" clearance from backsplash to center of faucet hole



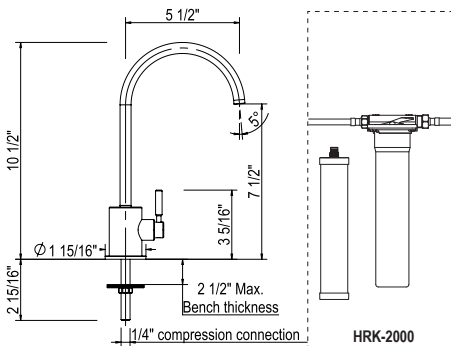
**R7517 Lux™ Filter Kitchen Faucet**



**Suggested Retail Price**

	APC	PN	STN	SS	MB	AG	SG	ULB
R7517 __	314	376	393	399	408	444	444	444

- May be used with HRK-2000 inline filter system
- Not suitable for reverse osmosis systems or instant hot systems
- .5 GPM at 45 PSI (CEC compliant)



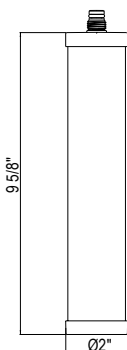
**RKIT7517 Lux™ Filter Kitchen Faucet Kit**



**Suggested Retail Price**

	APC	PN	STN	SS	MB	AG	SG	ULB
RKIT7517 __	953	1015	1032	1038	1047	1083	1083	1083

- .5 GPM at 45 PSI (CEC compliant)
- Includes HRK-2000 filtration system



**HRF-1000 Arolla™ Replacement Filter Cartridge**

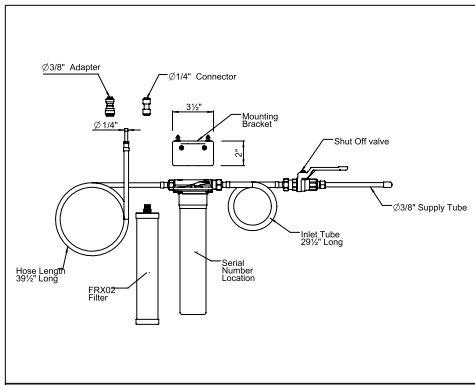


**Suggested Retail Price**

	\$
HRF-1000	106

- Replacement cartridge for HRK-2000 filter system
- Recommend changing filter every 6 months or 1,000 gallons





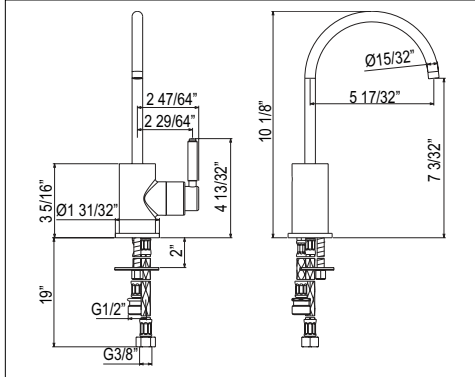
### HRK-2000 Arolla™ Filtration System With Cartridge



Suggested Retail Price

	\$
HRK-2000	639

- Includes cartridge, housing and connector hoses
- Filter faucet not included
- Recommend changing filter every 6 months or 1,000 gallons
- For replacement filter cartridge, order HRF-1000: \$106
- Recommend changing filter system every 3 years due to constant water pressure on the inlet



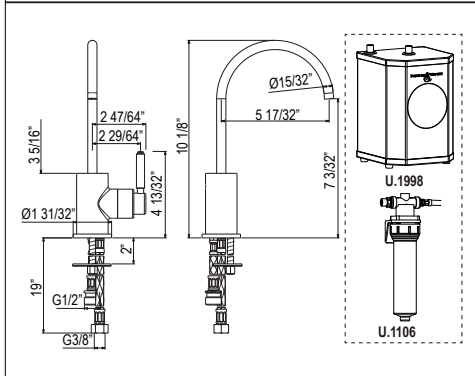
### G7545 Lux™ Hot Water Dispenser



Suggested Retail Price

Handle	APC	PN	STN	MB	TCB
G7545LM _ -2	331	428	634	634	634

- 1.2 GPM at 45 PSI (CEC compliant)
- For use with U.1998 high performance hot water tank and U.1106 filter



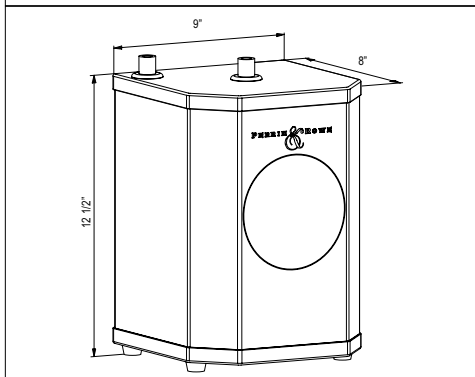
### GKIT7545 Lux™ Hot Water Dispenser, Tank And Filter Kit



Suggested Retail Price

Handle	APC	PN	STN	MB	TCB
GKIT7545LM _ -2	1573	1670	1876	1876	1876

- .5 GPM at 45 PSI (CEC compliant)
- Order U.PRF1 for hot water replacement filter cartridge
- Includes U.1998 Hot water tank and U.1106 filter system



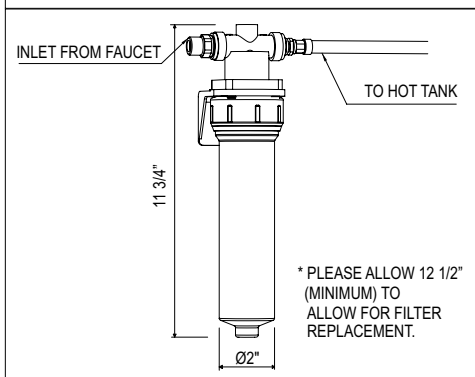
### U.1998 High Performance Hot Water Tank



Suggested Retail Price

	\$
U.1998	887

- 3-Year limited warranty
- Not compatible with ISE type dispensers



### U.1106 Hot Water Filtration System

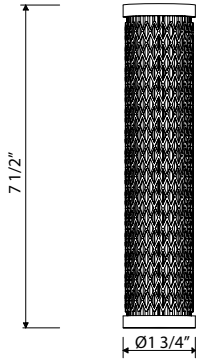


Suggested Retail Price

	\$
U.1106	355

- Includes cartridge, housing and connector hoses
- Filter faucet not included
- For replacement filter cartridge, order U.PRF1: \$123
- Recommend changing filter every 6 months or 1,000 gallons





**U.PRF1 Hot Water Replacement Filter Cartridge**

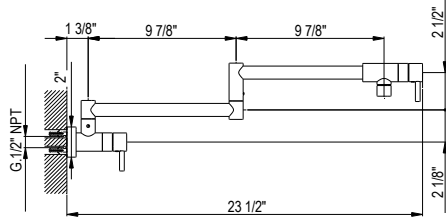


PERRIN & ROWE

**Suggested Retail Price**

	\$
U.PRF1	123

- Designed for use with U.1106 and U.1408 hot water filtration systems
- Recommend changing filter every 6 months or 1,000 gallons



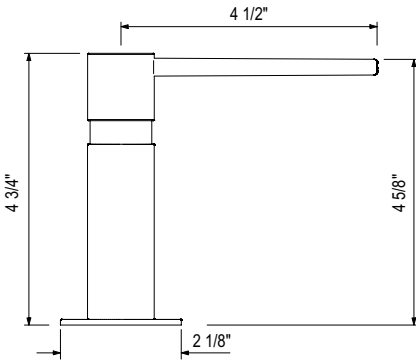
**QL66 Modern Pot Filler**



**Suggested Retail Price**

Handle	APC	PN	STN	MB	ULB
QL66L-_-_-2	1484	1780	2077	2077	2045

- Dual quarter turn lever handle shut-offs, one at the wall and one at the outlet
- Folds away when not in use
- 1.8 GPM at 60 PSI (CEC compliant)



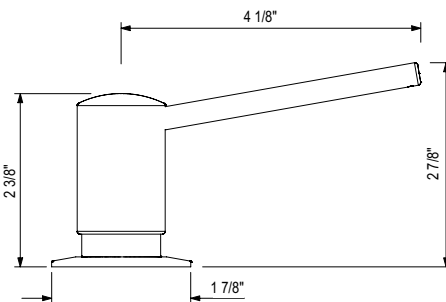
**LS2150 Soap Dispenser**



**Suggested Retail Price**

	APC	PN	STN	MB	SG
LS2150_-_-	430	516	537	559	671

- Brass construction
- 12 fluid ounce bottle capacity
- Top fill
- Deep deck extension available, order part: LS850PEXT



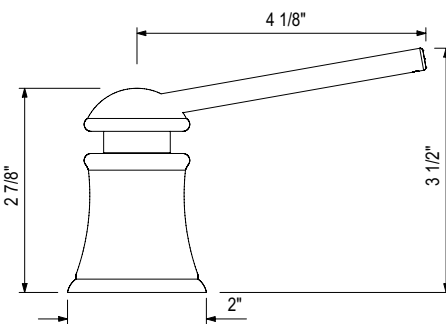
**LS450 Soap Dispenser**



**Suggested Retail Price**

	APC	PN	STN	SS	MB
LS450L_-_-	157	188	196	169	204

- Brass construction
- 12 fluid ounce bottle capacity
- Top fill



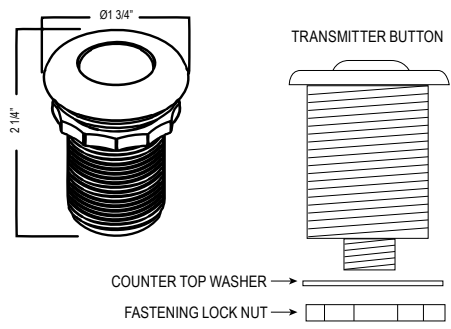
**LS950C Soap Dispenser**



**Suggested Retail Price**

	APC	PN	STN	TCB
LS950C_-_-	190	228	237	270

- Brass construction
- 12 fluid ounce bottle capacity
- Top fill



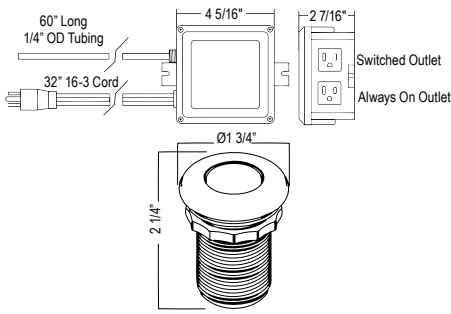
### AS425 Waste Disposal Air Switch Button



**Suggested Retail Price**

	APC	PN	STN	SS	MB	AG	IB	SG	TCB	ULB
AS425 __	100	120	125	110	130	142	142	321	142	142

- Remote on/off air switch button for activating garbage disposals
- Solution for island countertops or where an electrical switch is not available



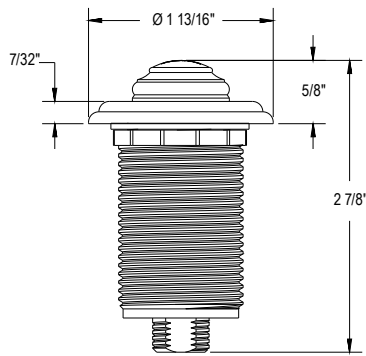
### AS450 Waste Disposal Control Box With Air Switch Button



**Suggested Retail Price**

	APC	PN	STN	SS	MB	AG	IB	SG	ULB
AS450 __	301	361	376	311	391	349	428	522	428

- Remote on/off air switch button for activating garbage disposals
- Solution for island countertops or where an electrical switch is not available
- Control box with mounting hardware included



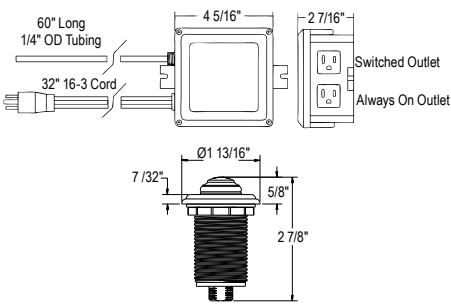
### AS525 Waste Disposal Air Switch Button



**Suggested Retail Price**

	APC	PN	STN	MB	IB	TCB	ULB
AS525 __	156	187	195	203	221	221	221

- Includes ROHL branding on top of button
- Remote on/off air switch button for activating garbage disposals



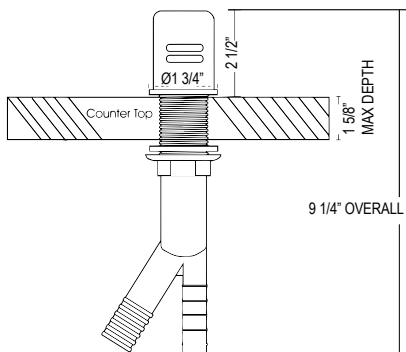
### AS550 Waste Disposal Control Box With Air Switch Button



**Suggested Retail Price**

	APC	PN	STN	MB	IB	TCB	ULB
AS550 __	357	428	446	464	507	507	507

- Includes ROHL branding on top of button
- Remote on/off air switch button for activating garbage disposals
- Control box with mounting hardware included



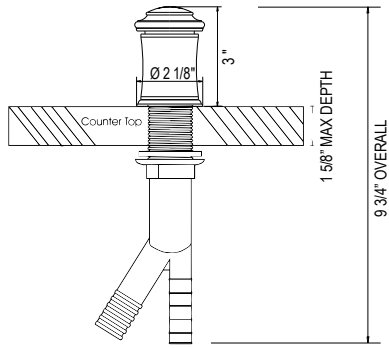
### AG600 Air Gap



**Suggested Retail Price**

	AG	APC	PN	STN	SS	MB	IB	SG	TCB	ULB
AG600 __	100	71	85	88	90	92	100	375	100	100

- Prevents contaminated sink water from entering the dishwasher



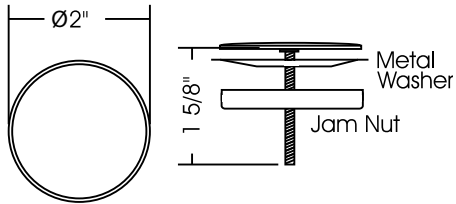
### AG700 Air Gap



**Suggested Retail Price**

	APC	PN	STN	MB	IB	TCB
AG700 __	187	224	234	243	265	265

- Includes ROHL branding on top of air gap
- Prevents contaminated sink water from entering the dishwasher



### SHC-1 Sink Hole Cover



**Suggested Retail Price**

	APC	PN	STN	MB	IB	BK	WH
SHC-1 __	18	42	42	30	98	30	30

- Biscuit coordinates with Shaws Fireclay Parchment sinks

# SAN JULIO®

On the tiny island of San Giulio in Northern Italy, stands the centuries-old Basilica di San Giulio. Its unassuming exterior holds a Baroque church of magnificent proportions, every inch of its domed ceilings covered with detailed frescos. The San Julio® Collection brings together these elements of rustic charm and artistic form. A classical column flows into a delicate arc. Fine circular details ring the handles, base, and the spout for a subtle touch of ornamentation.

San Julio is inherently traditional, yet its purity of shape and style make it just right for transitional kitchens with character and heart.



A1461LMWSPN

### Handle Options



*Metal Lever*  
LM



*Cross Handle*  
XM



*Porcelain Lever*  
LP



*Cross Handle*  
X

### Available Finishes:



*Polished Chrome*  
APC



*Polished Nickel*  
PN



*Satin Nickel*  
STN



*Italian Brass*  
IB



*Tuscan Brass®*  
TCB

See product page for available finishes



APC



PN



STN



IB



TCB

KITCHEN & BAR FAUCETS



A1676WS  
page 136



A1461WS  
page 136



A1667  
page 136

FILTRATION / OTHER



A1451  
page 138



A1445  
page 138



AKIT1635  
page 136



GKIT1655  
page 137



LP



LM



XM



X

See product page for available finishes.

SOAP DISPENSERS



LS450  
page 139



LS650C  
page 138



LS850P  
page 138

AIR SWITCH



AS450  
page 139



AS550  
page 139

SINKS



AL3220AF1  
page 5



6497  
page 5



RC3017  
Shaws® Price Book



RC3618  
Shaws® Price Book



RUWKIT49161  
page 18



RSS3318  
page 15



SAN JULIO

TENERIFE

TUARIO

ACQUI

ARCANA

BELLIA

CAMPO

ECLISSI

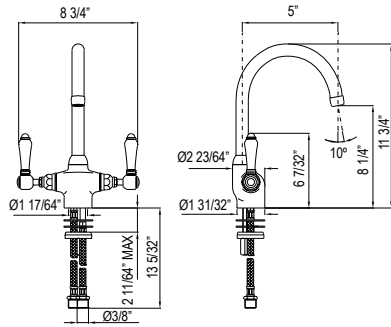
GRACELINE

LOMBARDIA

MEDA

MISCELO

PALLADIAN



**A1667 San Julio® Two Handle Bar/Food Prep Kitchen Faucet**

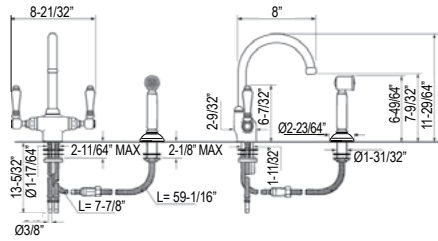


**Suggested Retail Price**

Handle	APC	PN	STN	IB	TCB	ULB
A1667LM __-2	564	677	752	802	802	802
A1667LP __-2	564	741	935	1129	1129	1129

- Single-spray functionality
- 1.5 GPM at 60 PSI (CEC compliant)
- 4" deep deck extension kit, order part # C7555EXT
- Matching bar faucet for A1676

ACQUI



**A1676WS San Julio® Two Handle Kitchen Faucet With Side Spray**

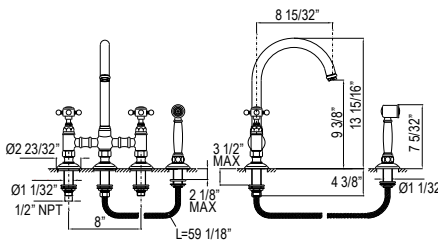


**Suggested Retail Price**

Handle	APC	PN	STN	IB	TCB
A1676LMWS __-2	806	967	1115	1144	1144
A1676LPWS __-2	806	1058	1385	1610	1610

- Single-spray functionality
- 1.5 GPM at 60 PSI (CEC compliant)
- 4" deep deck extension kit, order part # C7555EXT
- Matches bar faucet A1667

BELLIA



**A1461WS San Julio® Bridge Kitchen Faucet With Side Spray**

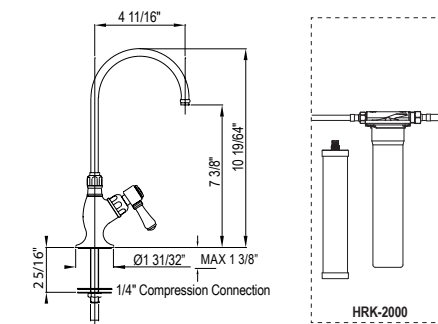


**Suggested Retail Price**

Handle	APC	PN	STN	IB	TCB
A1461LMWS __-2	1337	1605	1891	1900	1900
A1461LPWS __-2	1337	1605	1891	1900	1900
A1461XMWS __-2	1337	1605	1891	1900	1900
A1461XWS __-2	1337	1605	1891	1900	1900

- Single-spray functionality
- 1.5 GPM at 60 PSI (CEC compliant)

ECLISSI



**AKIT1635 San Julio® Filter Kitchen Faucet Kit**

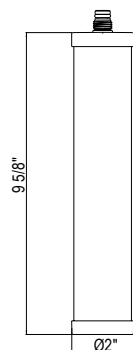


**Suggested Retail Price**

Handle	APC	PN	STN	MB	IB	TCB	ULB
AKIT1635LM __-2	992	1062	1142	1142	1142	1142	1127

- .5 GPM at 45 PSI (CEC compliant)
- Includes HRK-2000 filtration system

MEDA



**HRF-1000 Arolla™ Replacement Filter Cartridge**

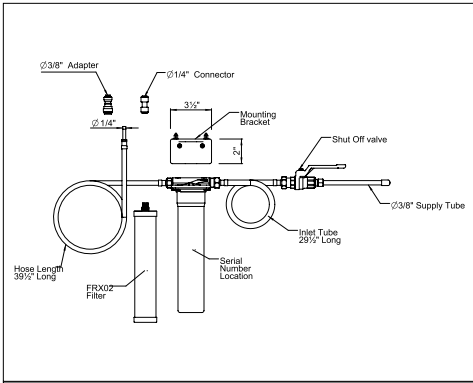
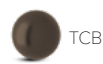


**Suggested Retail Price**

	\$
HRF-1000	106

- Replacement cartridge for HRK-2000 filter system
- Recommend changing filter every 6 months or 1,000 gallons





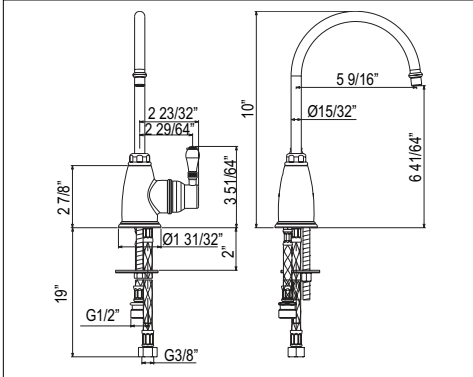
### HRK-2000 Arolla™ Filtration System With Cartridge



Suggested Retail Price

	\$
HRK-2000	639

- Includes cartridge, housing and connecton hoses
- Filter faucet not included
- Recommend changing filter every 6 months or 1,000 gallons
- For replacement filter cartridge, order HRF-1000: \$106
- Recommend changing filter system every 3 years due to constant water pressure on the inlet



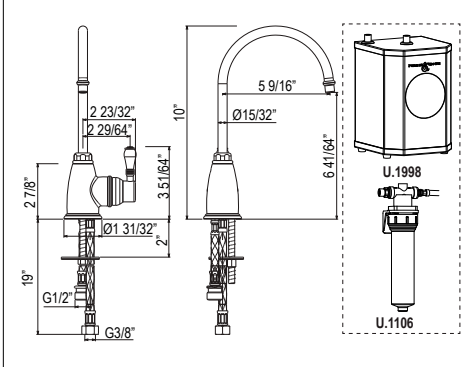
### G1655 San Julio® Hot Water Dispenser



Suggested Retail Price

Handle	APC	PN	STN	MB	IB	TCB	ULB
G1655LM_-2	380	491	634	634	675	634	634

- 1.2 GPM at 45 PSI (CEC compliant)
- For use with U.1998 high performance hot water tank and U.1106 filter



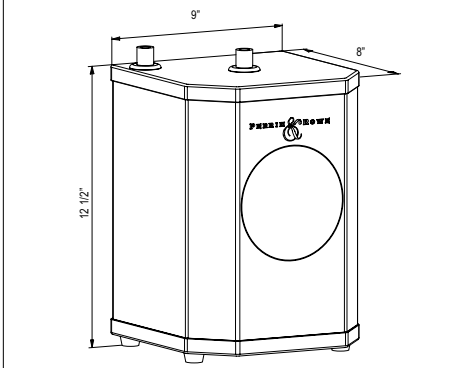
### GKIT1655 San Julio® Hot Water Dispenser, Tank And Filter Kit



Suggested Retail Price

Handle	APC	PN	STN	MB	IB	TCB	ULB
GKIT1655LM_-2	1622	1733	1876	1876	1917	1876	1876

- .5 GPM at 45 PSI (CEC compliant)
- Order U.PRF1 for hot water replacement filter cartridge
- Includes U.1998 Hot water tank and U.1106 filter system



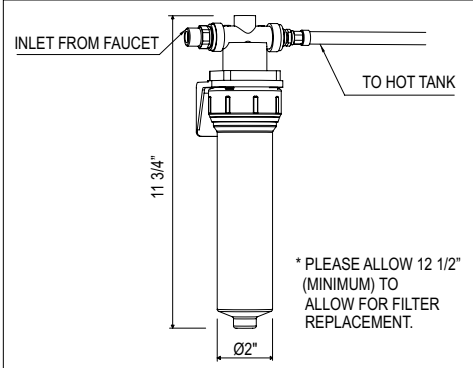
### U.1998 High Performance Hot Water Tank



Suggested Retail Price

	\$
U.1998	887

- 3-Year limited warranty
- Not compatible with ISE type dispensers



### U.1106 Hot Water Filtration System



Suggested Retail Price

	\$
U.1106	355

- Includes cartridge, housing and connecton hoses
- Filter faucet not included
- For replacement filter cartridge, order U.PRF1: \$123
- Recommend changing filter every 6 months or 1,000 gallons





SAN JULIO

TENERIFE

TUARIO

ACQUI

ARCANA

BELLIA

CAMPO

ECLISSI

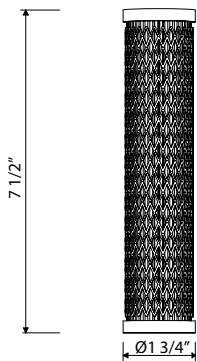
GRACELINE

LOMBARDIA

MEDA

MISCELO

PALLADIAN



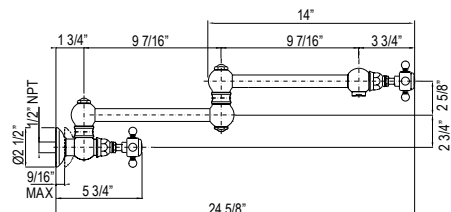
### U.PRF1 Hot Water Replacement Filter Cartridge



**Suggested Retail Price**

	\$
U.PRF1	123

- Designed for use with U.1106 and U.1408 hot water filtration systems
- Recommend changing filter every 6 months or 1,000 gallons



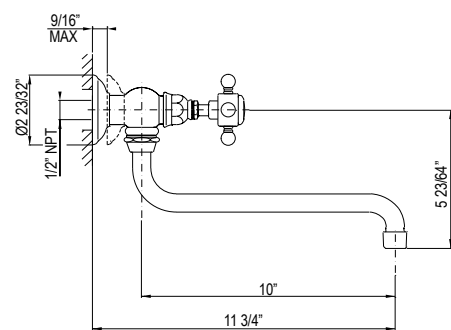
### A1451 Pot Filler



**Suggested Retail Price**

Handle	APC	PN	STN	IB	TCB	ULB
A1451LM __ -2	1137	1364	1449	1615	1615	1615
A1451LP _ -2	1137	1364	1449	1615	1615	1615
A1451X __ -2	1137	1364	1449	1615	1615	1615
A1451XM __ -2	1137	1364	1449	1615	1615	1615

- Folds away when not in use
- 1.5 GPM at 60 PSI (CEC compliant)



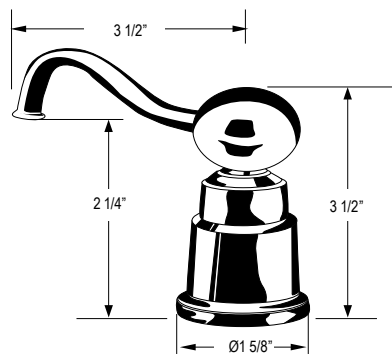
### A1445 Pot Filler



**Suggested Retail Price**

Handle	APC	PN	STN	IB	TCB
A1445X __ -2	349	418	484	496	496
A1445XM __ -2	349	418	484	496	496

- Folds away when not in use
- 1.5 GPM at 60 PSI (CEC compliant)



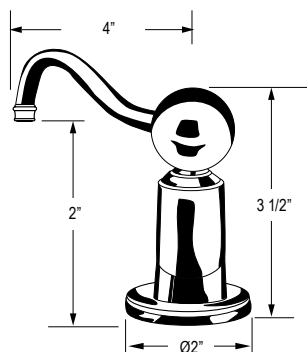
### LS650C Soap Dispenser



**Suggested Retail Price**

	APC	PN	STN	RG	TCB
LS650C __	253	303	316	415	359

- Brass construction
- 12 fluid ounce bottle capacity
- Top fill
- Deep deck extension available, order part: LS850PEXT



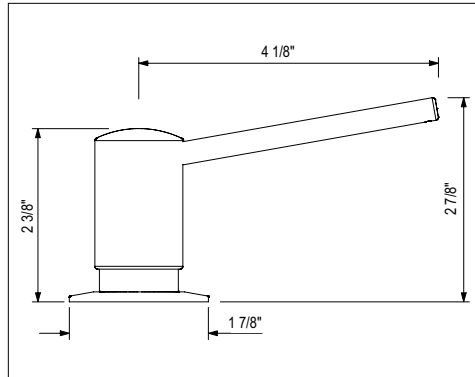
### LS850P Soap Dispenser



**Suggested Retail Price**

	APC	PN	STN	MB	IB	ULB
LS850P __	314	376	392	418	445	470

- Brass construction
- 12 fluid ounce bottle capacity
- Top fill

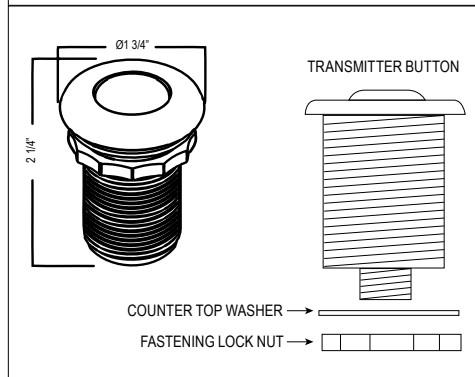


### LS450 Soap Dispenser

**Suggested Retail Price**

	APC	PN	STN	SS	MB
LS450L __	157	188	196	169	204

- Brass construction
- 12 fluid ounce bottle capacity
- Top fill

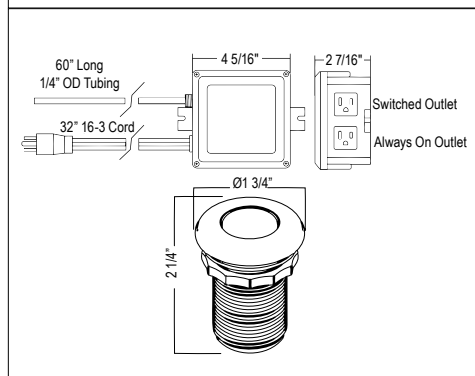


### AS425 Waste Disposal Air Switch Button

**Suggested Retail Price**

	APC	PN	STN	SS	MB	AG	IB	SG	TCB	ULB
AS425 __	100	120	125	110	130	142	142	321	142	142

- Remote on/off air switch button for activating garbage disposals
- Solution for island countertops or where an electrical switch is not available

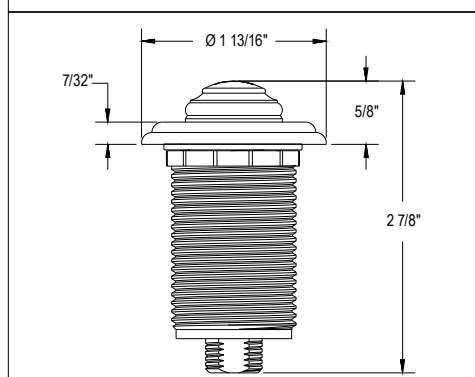


### AS450 Waste Disposal Control Box With Air Switch Button

**Suggested Retail Price**

	APC	PN	STN	SS	MB	AG	IB	SG	TCB	ULB
AS450 __	301	361	376	311	391	349	428	522	428	428

- Remote on/off air switch button for activating garbage disposals
- Solution for island countertops or where an electrical switch is not available
- Control box with mounting hardware included

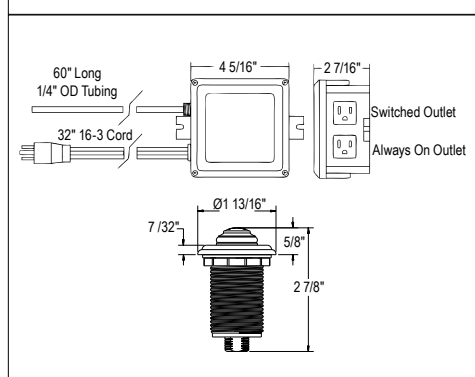


### AS525 Waste Disposal Air Switch Button

**Suggested Retail Price**

	APC	PN	STN	MB	IB	TCB	ULB
AS525 __	156	187	195	203	221	221	221

- Includes ROHL branding on top of button
- Remote on/off air switch button for activating garbage disposals

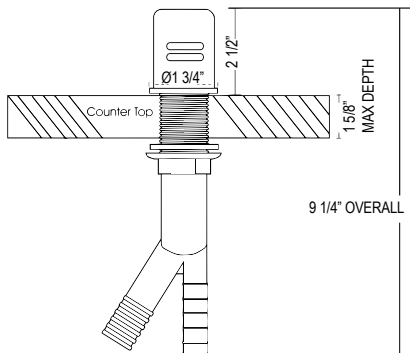


### AS550 Waste Disposal Control Box With Air Switch Button

**Suggested Retail Price**

	APC	PN	STN	MB	IB	TCB	ULB
AS550 __	357	428	446	464	507	507	507

- Includes ROHL branding on top of button
- Remote on/off air switch button for activating garbage disposals
- Control box with mounting hardware included



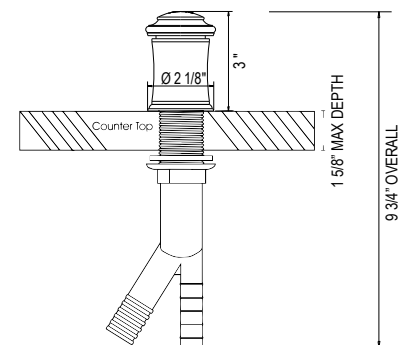
### AG600 Air Gap



#### Suggested Retail Price

	AG	APC	PN	STN	SS	MB	IB	SG	TCB	ULB
AG600 __	100	71	85	88	90	92	100	375	100	100

- Prevents contaminated sink water from entering the dishwasher



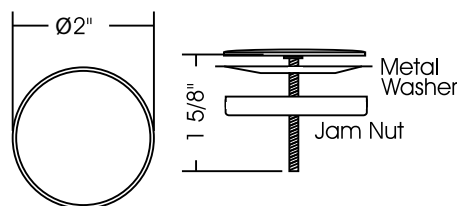
### AG700 Air Gap



#### Suggested Retail Price

	APC	PN	STN	MB	IB	TCB
AG700 __	187	224	234	243	265	265

- Includes ROHL branding on top of air gap
- Prevents contaminated sink water from entering the dishwasher



### SHC-1 Sink Hole Cover



#### Suggested Retail Price

	APC	PN	STN	MB	IB	BK	WH
SHC-1 __	18	42	42	30	98	30	30

- Biscuit coordinates with Shaws Fireclay Parchment sinks

# TENERIFE™

The lush beaches of Tenerife are home to the majestic Canary Island palm, native only to the Islands. This magnificent tree dominates the landscape, with a crown of green leaves that can spread beyond 20 feet. The Tenerife™ Kitchen Collection turns the intricate details of this exotic palm into an eye-catching element. The crosshatch embossing on the handles and base replicates the natural diamond-shape pattern of the tree trunk. The faucet column rises in height, mirroring the stature of the tropical palm, accompanied by the long arc of the neck. Tenerife brings a natural island element into kitchens of transitional and modern style.



Available finishes:



*Polished Chrome*  
APC



*Polished Nickel*  
PN



*Satin Nickel*  
STN



*Matte Black*  
MB



*Antique Gold*  
AG

See product page for available finishes



KITCHEN & BAR FAUCETS



TE65D1  
page 144



TE55D1  
page 144



TE56D1  
page 144

FILTRATION / OTHER



QL66  
page 146



RKIT7517  
page 144



GKIT7545  
page 145

# COMPLEMENTARY ITEMS

See product page for available finishes.

 Home

 Index

SAN JULIO

TENERIFE

TUARIO

ACQUI

ARCANA

BELLIA

CAMPO

ECLISSI

GRACELINE

LOMBARDIA

MEDA

MISCELO

PALLADIAN

SOAP DISPENSERS



LS450  
page 146



**NEW** 0180SD  
page 146



LS2150  
page 147

AIR SWITCH



AS450  
page 147



AS550  
page 147

SINKS



AL3220AF1  
page 5



6497  
page 5



MS3018  
Shaws® Price Book



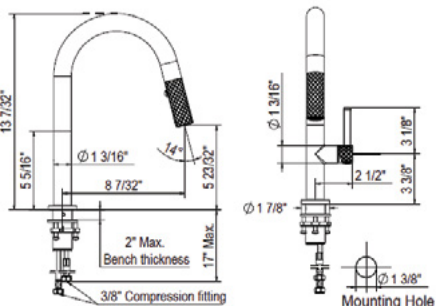
UM3018  
Shaws® Price Book



RSS3518  
page 16



RSS3318  
page 15



**TE65D1** Tenerife™ Pull-Down Bar/Food Prep Kitchen Faucet with C-Spout

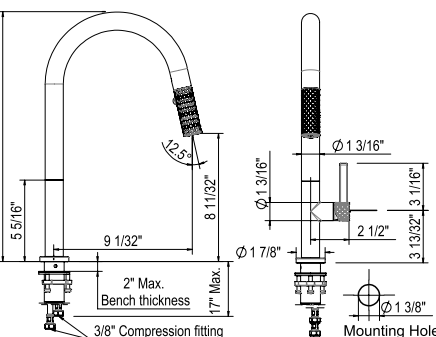


NEW

Suggested Retail Price

	APC	PN	STN	MB	AG
TE65D1LM_ _	898	1078	1123	1168	1276

- Dual-spray functionality with stream and spray settings
- 1.75 GPM at 60 PSI (CEC compliant)
- Requires 2 1/2" clearance from backsplash to center of faucet hole



**TE55D1** Tenerife™ Pull-Down Kitchen Faucet with C-Spout

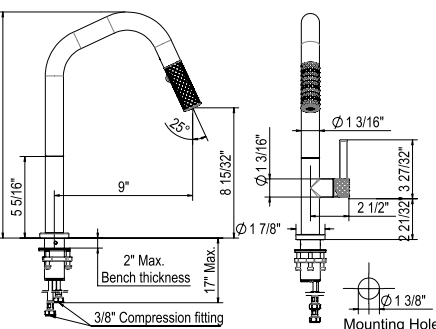


NEW

Suggested Retail Price

	APC	PN	STN	MB	AG
TE55D1LM_ _	898	1078	1123	1168	1276

- Dual-spray functionality with stream and spray settings
- 1.75 GPM at 60 PSI (CEC compliant)
- Requires 2 1/2" clearance from backsplash to center of faucet hole



**TE56D1** Tenerife™ Pull-Down Kitchen Faucet with U-Spout

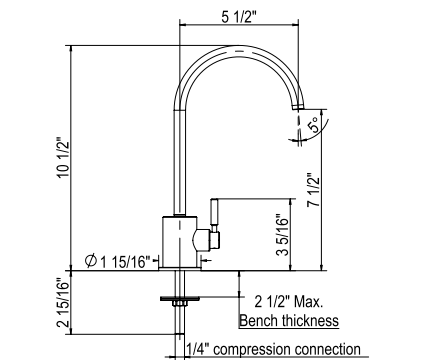


NEW

Suggested Retail Price

	APC	PN	STN	MB	AG
TE56D1LM_ _	898	1078	1123	1168	1276

- Dual-spray functionality with stream and spray settings
- 1.75 GPM at 60 PSI (CEC compliant)
- Requires 2 1/2" clearance from backsplash to center of faucet hole



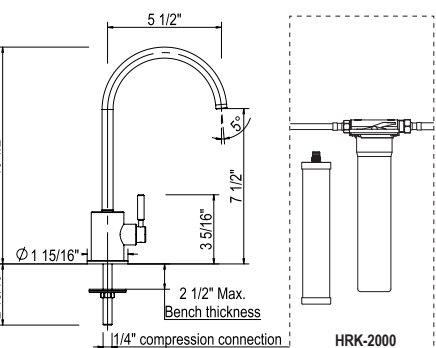
**R7517** Lux™ Filter Kitchen Faucet



Suggested Retail Price

	APC	PN	STN	SS	MB	AG	SG	ULB
R7517_ _	314	376	393	399	408	444	444	444

- May be used with HRK-2000 inline filter system
- Not suitable for reverse osmosis systems or instant hot systems
- .5 GPM at 45 PSI (CEC compliant)



**RKIT7517** Lux™ Filter Kitchen Faucet Kit

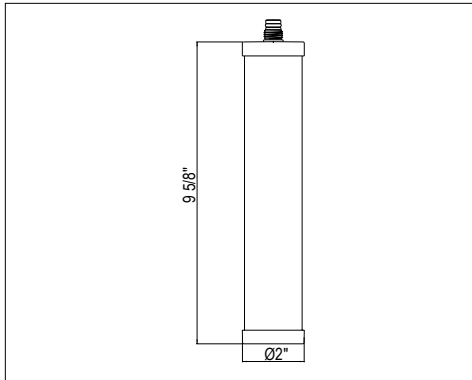


Suggested Retail Price

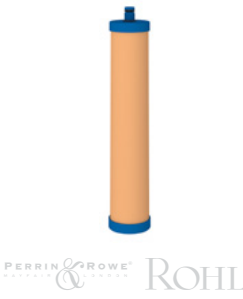
	APC	PN	STN	SS	MB	AG	SG	ULB
RKIT7517_ _	953	1015	1032	1038	1047	1083	1083	1083

- .5 GPM at 45 PSI (CEC compliant)
- Includes HRK-2000 filtration system





### HRF-1000 Arolla™ Replacement Filter Cartridge

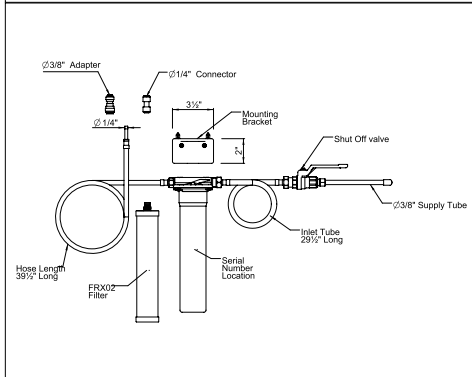


Suggested Retail Price

	\$
HRF-1000	106

- Replacement cartridge for HRK-2000 filter system
- Recommend changing filter every 6 months or 1,000 gallons

PERRIN & ROWE ROHL



### HRK-2000 Arolla™ Filtration System With Cartridge

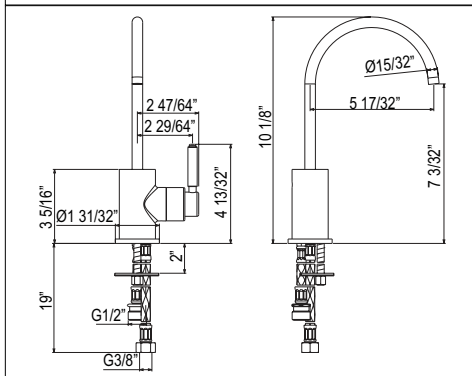


Suggested Retail Price

	\$
HRK-2000	639

- Includes cartridge, housing and connection hoses
- Filter faucet not included
- Recommend changing filter every 6 months or 1,000 gallons
- For replacement filter cartridge, order HRF-1000: \$106
- Recommend changing filter system every 3 years due to constant water pressure on the inlet

PERRIN & ROWE ROHL



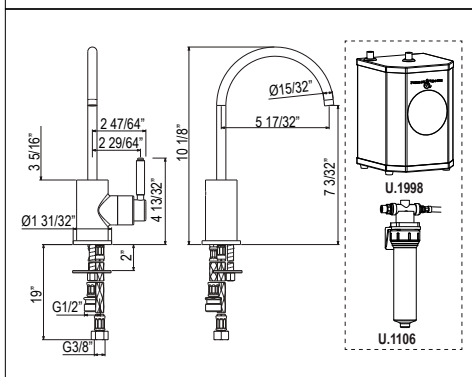
### G7545 Lux™ Hot Water Dispenser



Suggested Retail Price

Handle	APC	PN	STN	MB	TCB
G7545LM _ -2	331	428	634	634	634

- 1.2 GPM at 45 PSI (CEC compliant)
- For use with U.1998 high performance hot water tank and U.1106 filter



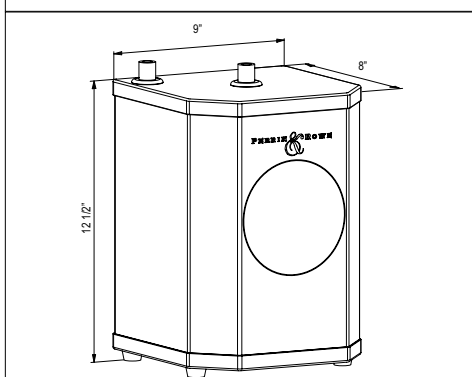
### GKIT7545 Lux™ Hot Water Dispenser, Tank And Filter Kit



Suggested Retail Price

Handle	APC	PN	STN	MB	TCB
GKIT7545LM _ -2	1573	1670	1876	1876	1876

- .5 GPM at 45 PSI (CEC compliant)
- Order U.PRF1 for hot water replacement filter cartridge
- Includes U.1998 Hot water tank and U.1106 filter system



### U.1998 High Performance Hot Water Tank

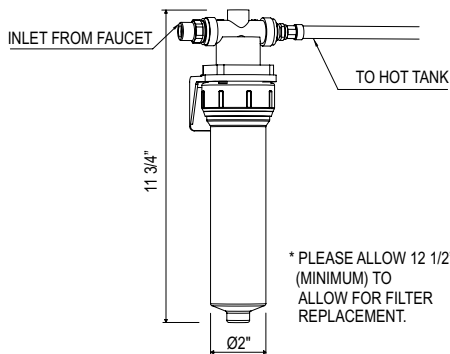


Suggested Retail Price

	\$
U.1998	887

- 3-Year limited warranty
- Not compatible with ISE type dispensers

PERRIN & ROWE



### U.1106 Hot Water Filtration System

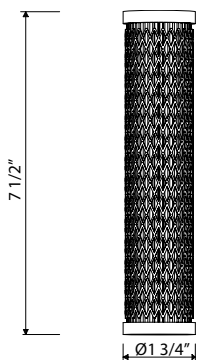


Suggested Retail Price

	\$
U.1106	355

- Includes cartridge, housing and connection hoses
- Filter faucet not included
- For replacement filter cartridge, order U.PRF1: \$123
- Recommend changing filter every 6 months or 1,000 gallons

PERRIN & ROWE



### U.PRF1 Hot Water Replacement Filter Cartridge

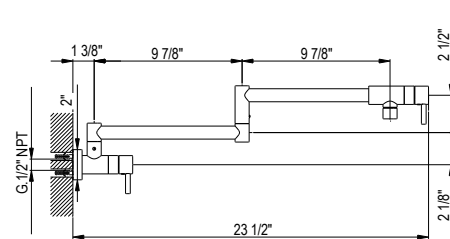


Suggested Retail Price

	\$
U.PRF1	123

- Designed for use with U.1106 and U.1408 hot water filtration systems
- Recommend changing filter every 6 months or 1,000 gallons

PERRIN & ROWE



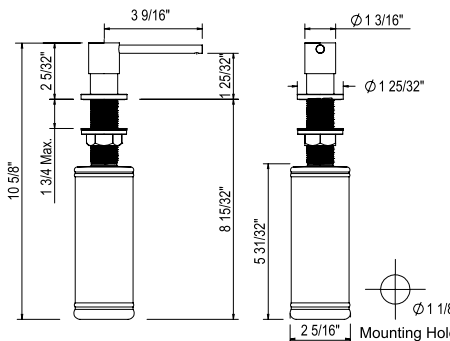
### QL66 Modern Pot Filler



Suggested Retail Price

Handle	APC	PN	STN	MB	ULB
QL66L-__-2	1484	1780	2077	2077	2045

- Dual quarter turn lever handle shut-offs, one at the wall and one at the outlet
- Folds away when not in use
- 1.8 GPM at 60 PSI (CEC compliant)



### 0180SD Soap Dispenser

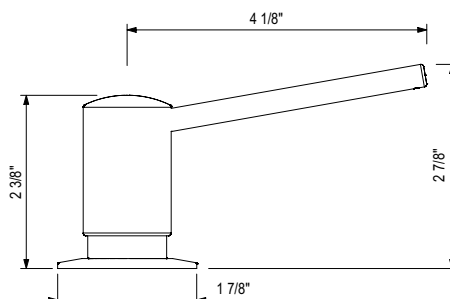


Suggested Retail Price

	APC	PN	STN	MB	AG
0180SD __	98	118	123	128	140

- Available: Spring 2021
- Brass construction
- 8.5 fluid ounce bottle capacity
- Top fill

NEW



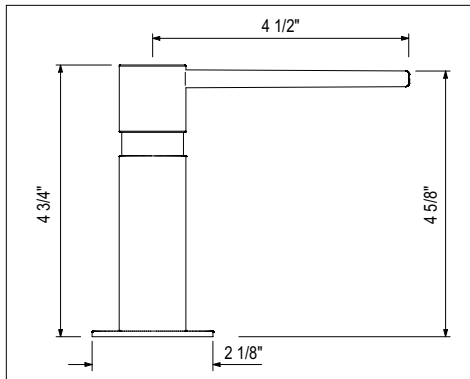
### LS450 Soap Dispenser



Suggested Retail Price

	APC	PN	STN	SS	MB
LS450L __	157	188	196	169	204

- Brass construction
- 12 fluid ounce bottle capacity
- Top fill



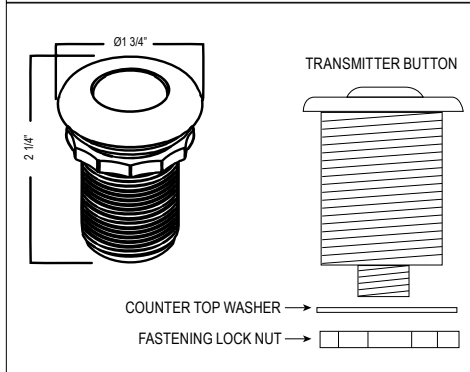
### LS2150 Soap Dispenser



#### Suggested Retail Price

	APC	PN	STN	MB	SG
LS2150 __	430	516	537	559	671

- Brass construction
- 12 fluid ounce bottle capacity
- Top fill
- Deep deck extension available, order part: LS850PEXT



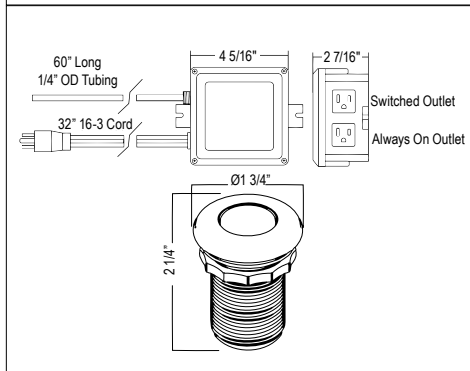
### AS425 Waste Disposal Air Switch Button



#### Suggested Retail Price

	APC	PN	STN	SS	MB	AG	IB	SG	TCB	ULB
AS425 __	100	120	125	110	130	142	142	321	142	142

- Remote on/off air switch button for activating garbage disposals
- Solution for island countertops or where an electrical switch is not available



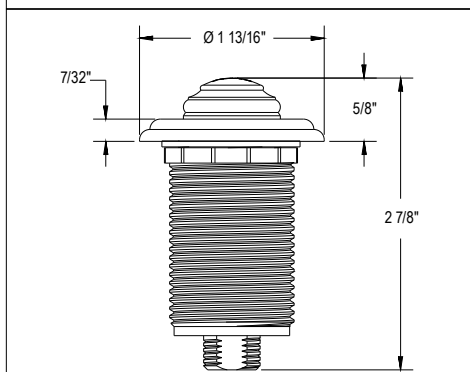
### AS450 Waste Disposal Control Box With Air Switch Button



#### Suggested Retail Price

	APC	PN	STN	SS	MB	AG	IB	SG	TCB	ULB
AS450 __	301	361	376	311	391	349	428	522	428	428

- Remote on/off air switch button for activating garbage disposals
- Solution for island countertops or where an electrical switch is not available
- Control box with mounting hardware included



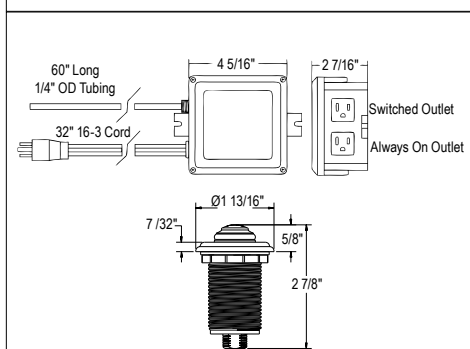
### AS525 Waste Disposal Air Switch Button



#### Suggested Retail Price

	APC	PN	STN	MB	IB	TCB	ULB
AS525 __	156	187	195	203	221	221	221

- Includes ROHL branding on top of button
- Remote on/off air switch button for activating garbage disposals



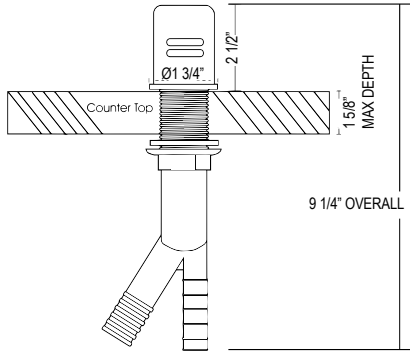
### AS550 Waste Disposal Control Box With Air Switch Button



#### Suggested Retail Price

	APC	PN	STN	MB	IB	TCB	ULB
AS550 __	357	428	446	464	507	507	507

- Includes ROHL branding on top of button
- Remote on/off air switch button for activating garbage disposals
- Control box with mounting hardware included

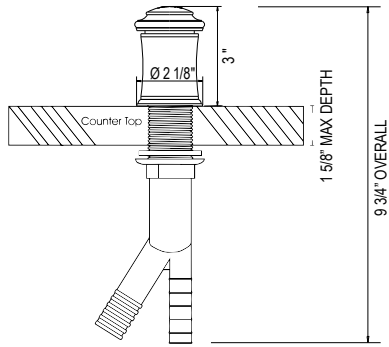


**AG600 Air Gap**



	Suggested Retail Price									
	AG	APC	PN	STN	SS	MB	IB	SG	TCB	ULB
AG600_ _	100	71	85	88	90	92	100	375	100	100

- Prevents contaminated sink water from entering the dishwasher

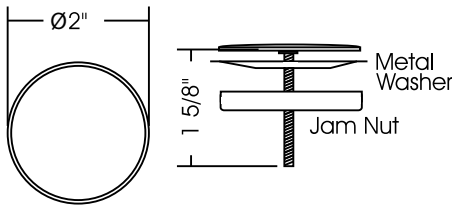


**AG700 Air Gap**



	Suggested Retail Price					
	APC	PN	STN	MB	IB	TCB
AG700_ _	187	224	234	243	265	265

- Includes ROHL branding on top of air gap
- Prevents contaminated sink water from entering the dishwasher



**SHC-1 Sink Hole Cover**



	Suggested Retail Price						
	APC	PN	STN	MB	IB	BK	WH
SHC-1_ _	18	42	42	30	98	30	30

- Biscuit coordinates with Shaws Fireclay Parchment sinks

# TUARIO™

Modern Italian design is famous for creating drama with simplicity. Sleek, clean-lined silhouettes, paired with the right accents, are main characteristics of Italian cool. The Tuario™ Kitchen Collection follows this mode. A pure seamless look from base to tip is set against the eye-catching accents of a black matte lever handle and spout. Impact increases with choices of finishes to pose against the touch of matte black. Shapes with right angles or rounded arcs are also among the options. Tuario is the epitome of Italian Modern, for kitchens with a definitive sense of style.



TR55D1LBAPC

Available finishes:



*Polished Chrome*  
APC



*Polished Nickel*  
PN



*Satin Nickel*  
STN



*Matte Black*  
MB



*Satin Gold*  
SG

See product page for available finishes



APC



PN



STN



MB



SG

KITCHEN & BAR FAUCETS



TR55D1  
page 152



TR56D1  
page 153



TR60D1  
page 152



TR65D1  
page 152



TR61D1  
page 152



TR66D1  
page 152

FILTRATION / OTHER



QL66  
page 155



RKIT7517  
page 153



GKIT7545  
page 154

# COMPLEMENTARY ITEMS

See product page for available finishes.

 Home

 Index

SAN JULIO

TENERIFE

TUJARIO

ACQUI

ARCANA

BELLIA

CAMPO

ECLISSI

GRACELINE

LOMBARDIA

MEDA

MISCELO

PALLADIAN

SOAP DISPENSERS



LS450  
page 155



LS950C  
page 155



LS2150  
page 155

AIR SWITCH



AS450  
page 156



AS550  
page 156

SINKS



6347  
page 4



6497  
page 5



RC3618  
Shaws® Price Book



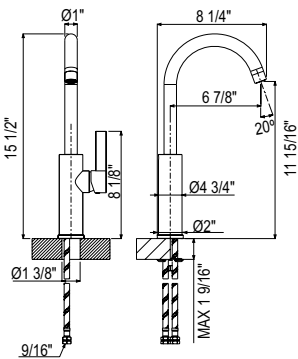
MS3518  
Shaws® Price Book



RSA3018  
page 19



RUWKIT36161  
page 20



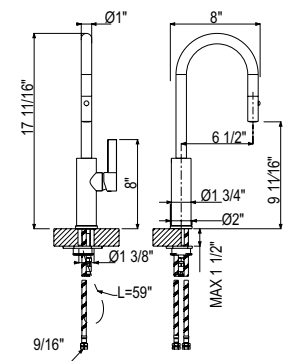
**TR60D1 Tuario™ Bar/Food Prep Kitchen Faucet with C-Spout**



**Suggested Retail Price**

Handle	APC	PN	STN	MB	SG
TR60D1LB_	538	646	673	700	765

- Single-spray functionality
- 1.5 GPM at 60 PSI (CEC compliant)
- Requires 2 1/2" clearance from backsplash to center of faucet hole
- Matching kitchen faucet TR55D1



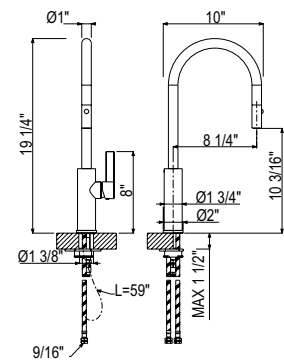
**TR65D1 Tuario™ Pull-Down Bar/Food Prep Kitchen Faucet with C-Spout**



**Suggested Retail Price**

Handle	APC	PN	STN	MB	SG
TR65D1LB_	698	838	873	907	991

- Dual-spray functionality with stream and spray settings
- 1.5 GPM at 60 PSI (CEC compliant)
- Requires 2 1/2" clearance from backsplash to center of faucet hole
- Matching kitchen faucet TR55D1



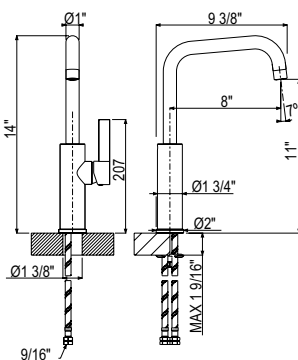
**TR55D1 Tuario™ Pull-Down Kitchen Faucet with C-Spout**



**Suggested Retail Price**

Handle	APC	PN	STN	MB	SG
TR55D1LB_	698	838	873	907	991

- Dual-spray functionality with stream and spray settings
- 1.5 GPM at 60 PSI (CEC compliant)
- Requires 2 1/2" clearance from backsplash to center of faucet hole
- Matching prep faucet TR65D1



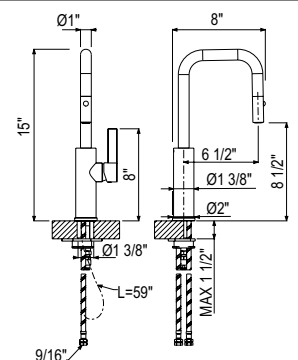
**TR61D1 Tuario™ Bar/Food Prep Kitchen Faucet with U-Spout**



**Suggested Retail Price**

Handle	APC	PN	STN	MB	SG
TR61D1LB_	538	646	673	699	764

- Single-spray functionality
- 1.5 GPM at 60 PSI (CEC compliant)
- Requires 2 1/2" clearance from backsplash to center of faucet hole
- Matching kitchen faucet TR56D1



**TR66D1 Tuario™ Pull-Down Bar/Food Prep Kitchen Faucet with U-Spout**

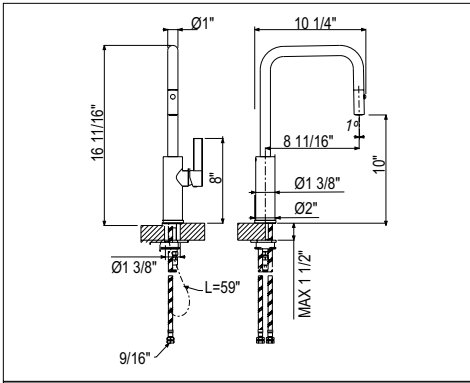


**Suggested Retail Price**

Handle	APC	PN	STN	MB	SG
TR66D1LB_	698	838	873	907	991

- Dual-spray functionality with stream and spray settings
- 1.5 GPM at 60 PSI (CEC compliant)
- Requires 2 1/2" clearance from backsplash to center of faucet hole
- Matching kitchen faucet TR56D1





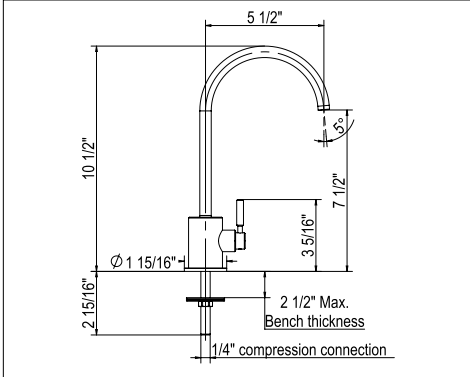
**TR56D1 Tuario™ Pull-Down Kitchen Faucet with U-Spout**



**Suggested Retail Price**

Handle	APC	PN	STN	MB	SG
TR56D1LB	698	838	873	907	991

- Dual-spray functionality with stream and spray settings
- 1.5 GPM at 60 PSI (CEC compliant)
- Requires 2 1/2" clearance from backsplash to center of faucet hole
- Matching prep faucet TR66D1



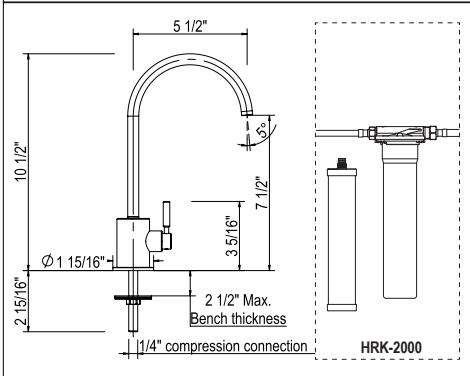
**R7517 Lux™ Filter Kitchen Faucet**



**Suggested Retail Price**

	APC	PN	STN	SS	MB	AG	SG	ULB
R7517	314	376	393	399	408	444	444	444

- May be used with HRK-2000 inline filter system
- Not suitable for reverse osmosis systems or instant hot systems
- .5 GPM at 45 PSI (CEC compliant)



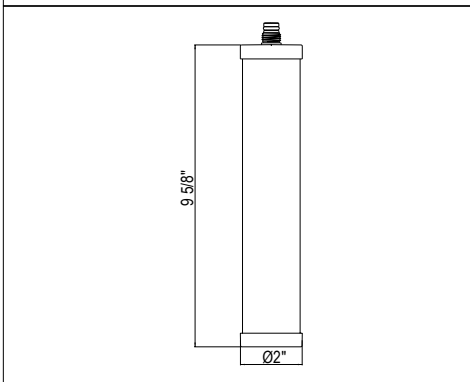
**RKIT7517 Lux™ Filter Kitchen Faucet Kit**



**Suggested Retail Price**

	APC	PN	STN	SS	MB	AG	SG	ULB
RKIT7517	953	1015	1032	1038	1047	1083	1083	1083

- .5 GPM at 45 PSI (CEC compliant)
- Includes HRK-2000 filtration system



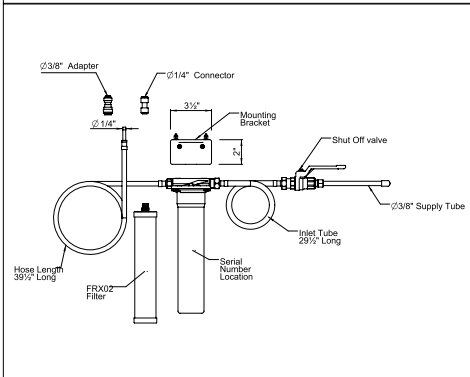
**HRF-1000 Arolla™ Replacement Filter Cartridge**



**Suggested Retail Price**

	\$
HRF-1000	106

- Replacement cartridge for HRK-2000 filter system
- Recommend changing filter every 6 months or 1,000 gallons



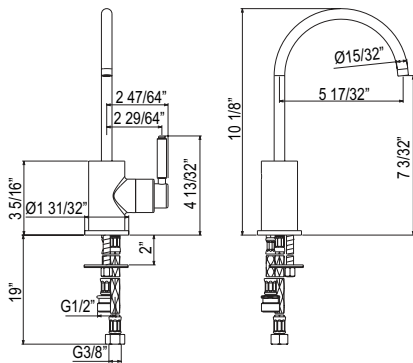
**HRK-2000 Arolla™ Filtration System With Cartridge**



**Suggested Retail Price**

	\$
HRK-2000	639

- Includes cartridge, housing and connection hoses
- Filter faucet not included
- Recommend changing filter every 6 months or 1,000 gallons
- For replacement filter cartridge, order HRF-1000: \$106
- Recommend changing filter system every 3 years due to constant water pressure on the inlet



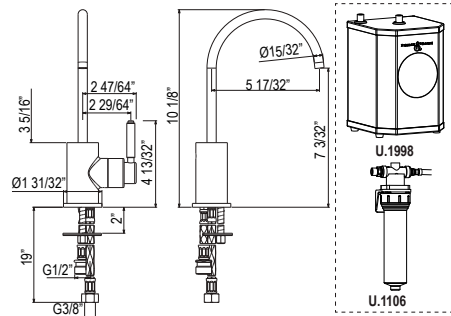
### G7545 Lux™ Hot Water Dispenser



#### Suggested Retail Price

Handle	APC	PN	STN	MB	TCB
G7545LM_-2	331	428	634	634	634

- 1.2 GPM at 45 PSI (CEC compliant)
- For use with U.1998 high performance hot water tank and U.1106 filter



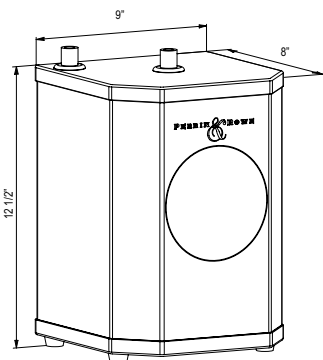
### GKIT7545 Lux™ Hot Water Dispenser, Tank And Filter Kit



#### Suggested Retail Price

Handle	APC	PN	STN	MB	TCB
GKIT7545LM_-2	1573	1670	1876	1876	1876

- .5 GPM at 45 PSI (CEC compliant)
- Order U.PR.F1 for hot water replacement filter cartridge
- Includes U.1998 Hot water tank and U.1106 filter system



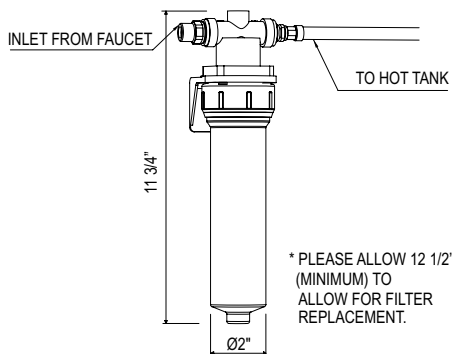
### U.1998 High Performance Hot Water Tank



#### Suggested Retail Price

Handle	APC	PN	STN	MB	TCB
U.1998					887

- 3-Year limited warranty
- Not compatible with ISE type dispensers



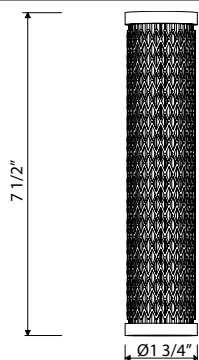
### U.1106 Hot Water Filtration System



#### Suggested Retail Price

Handle	APC	PN	STN	MB	TCB
U.1106					355

- Includes cartridge, housing and connection hoses
- Filter faucet not included
- For replacement filter cartridge, order U.PR.F1: \$123
- Recommend changing filter every 6 months or 1,000 gallons



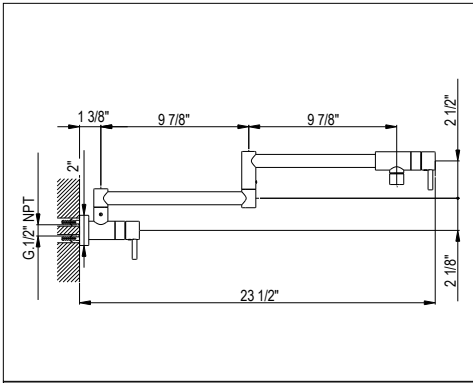
### U.PR.F1 Hot Water Replacement Filter Cartridge



#### Suggested Retail Price

Handle	APC	PN	STN	MB	TCB
U.PR.F1					123

- Designed for use with U.1106 and U.1408 hot water filtration systems
- Recommend changing filter every 6 months or 1,000 gallons



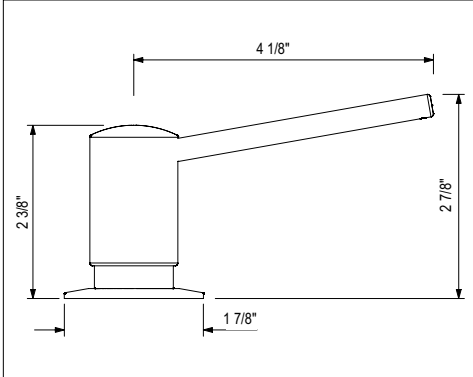
**QL66 Modern Pot Filler**



**Suggested Retail Price**

Handle	APC	PN	STN	MB	ULB
QL66L-_-_-2	1484	1780	2077	2077	2045

- Dual quarter turn lever handle shut-offs, one at the wall and one at the outlet
- Folds away when not in use
- 1.8 GPM at 60 PSI (CEC compliant)



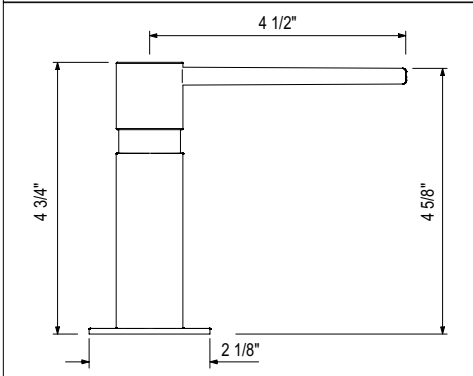
**LS450 Soap Dispenser**



**Suggested Retail Price**

	APC	PN	STN	SS	MB
LS450L-_-_-	157	188	196	169	204

- Brass construction
- 12 fluid ounce bottle capacity
- Top fill



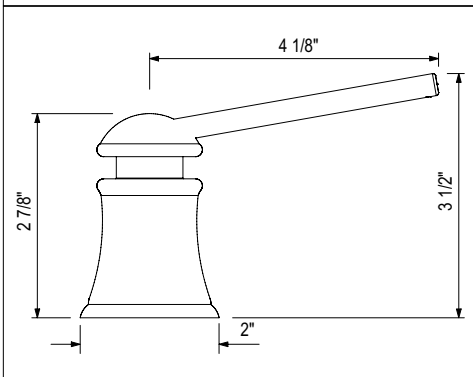
**LS2150 Soap Dispenser**



**Suggested Retail Price**

	APC	PN	STN	MB	SG
LS2150-_-_-	430	516	537	559	671

- Brass construction
- 12 fluid ounce bottle capacity
- Top fill
- Deep deck extension available, order part: LS850PEXT



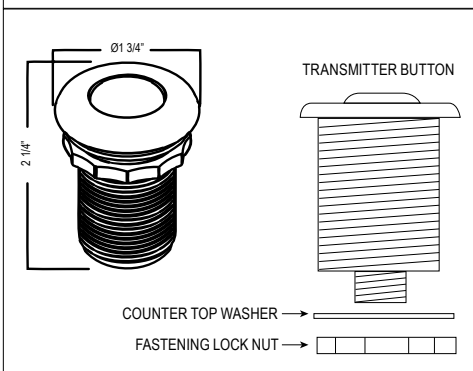
**LS950C Soap Dispenser**



**Suggested Retail Price**

	APC	PN	STN	TCB
LS950C-_-_-	190	228	237	270

- Brass construction
- 12 fluid ounce bottle capacity
- Top fill



**AS425 Waste Disposal Air Switch Button**



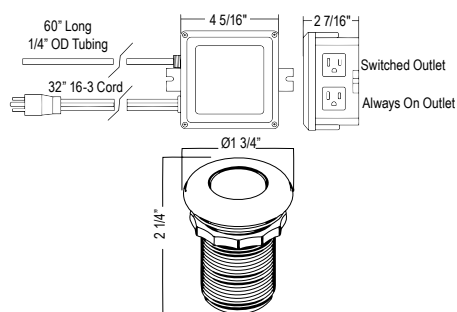
**Suggested Retail Price**

	APC	PN	STN	SS	MB	AG	IB	SG	TCB	ULB
AS425-_-_-	100	120	125	110	130	142	142	321	142	142

- Remote on/off air switch button for activating garbage disposals
- Solution for island countertops or where an electrical switch is not available

COUNTER TOP WASHER →

FASTENING LOCK NUT →



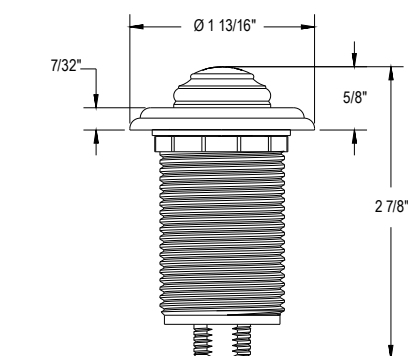
### AS450 Waste Disposal Control Box With Air Switch Button

#### Suggested Retail Price

	APC	PN	STN	SS	MB	AG	IB	SG	TCB
AS450 __	301	361	376	311	391	349	428	522	428



- Remote on/off air switch button for activating garbage disposals
- Solution for island countertops or where an electrical switch is not available
- Control box with mounting hardware included



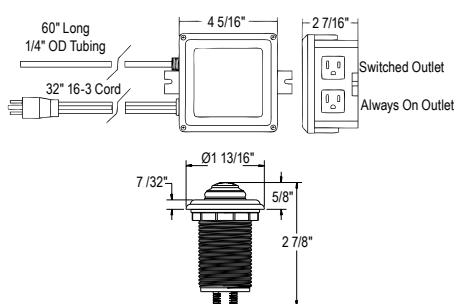
### AS525 Waste Disposal Air Switch Button

#### Suggested Retail Price

	APC	PN	STN	MB	IB	TCB	ULB
AS525 __	156	187	195	203	221	221	221



- Includes ROHL branding on top of button
- Remote on/off air switch button for activating garbage disposals



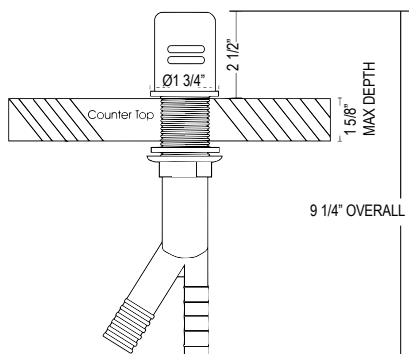
### AS550 Waste Disposal Control Box With Air Switch Button

#### Suggested Retail Price

	APC	PN	STN	MB	IB	TCB	ULB
AS550 __	357	428	446	464	507	507	507



- Includes ROHL branding on top of button
- Remote on/off air switch button for activating garbage disposals
- Control box with mounting hardware included



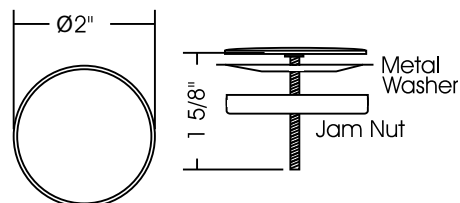
### AG600 Air Gap

#### Suggested Retail Price

	AG	APC	PN	STN	SS	MB	IB	SG	TCB	ULB
AG600 __	100	71	85	88	90	92	100	375	100	100



- Prevents contaminated sink water from entering the dishwasher



### SHC-1 Sink Hole Cover

#### Suggested Retail Price

	APC	PN	STN	MB	IB	BK	WH
SHC-1 __	18	42	42	30	98	30	30



- Biscuit coordinates with Shaws Fireclay Parchment sinks

# ACQUI®

The thermal springs at Acqui Terme in Italy have been a spa destination since Roman times, but it was not until the 19th century that high society made it fashionable. The Acqui® Collection is inspired by the lavish style of the town's Grand Spa hotels. Classical design, curvilinear forms, and baroque details define distinction. Handle and finish options create a range of customizable combinations to enhance the look even further. All elements come together to express a luxurious spa experience for the bath.



A1409LMPN

### Handle Options



Metal Lever  
LM



Cross Handle  
XM



Porcelain Lever  
LP



Crystal Metal Lever  
LC

### Available Finishes:



Polished Chrome  
APC



Polished Nickel  
PN



Satin Nickel  
STN



Italian Brass  
IB



Tuscan Brass®  
TCB



Unlacquered Brass  
ULB

See product page for available finishes



APC



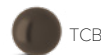
PN



STN



IB



TCB



ULB

FAUCETS



A3672  
page 160



A1409  
page 160



A1419  
page 160



A1418  
page 160



A1423  
page 161

TUB FILLERS



A1404  
page 161



T1587  
page 161



A1401  
page 162



AKIT1401N  
page 161

SHOWER TRIMS



A2410N  
page 163



A4914  
page 164



A4964  
page 164



A4917  
page 164

PRESSURE BALANCE

1/2" THERMOSTATIC

3/4" THERMOSTATIC

SHOWER PACKAGES



page 169



page 169



page 170



page 170



page 171



page 171



LP



LM



XM



LC

# COMPLEMENTARY ITEMS

See product page for available finishes.

 Home

 Index

SAN JULIO

TENERIFE

TUARIO

ACQUA

ARCANA

BELLIA

CAMPO

ECLISSI

GRACELINE

LOMBARDIA

MEDA

MISCELO

PALLADIAN



**1037/8**  
page 385



**1085/8**  
page 390



**WI0123**  
page 391



**1505/3**  
page 397



**1151/8**  
page 401



**SOF136**  
page 402



**SDPVC2/3-3146**  
page 421

SHOWER



**1260**  
page 410



**D63003**  
page 408



**1252**  
page 410



**C50000/1**  
page 417



**ROT1/24**  
page 165



**ROT8**  
page 165



**A1493**  
page 167



**ROT7D**  
page 166

ACCESSORIES



**SB2015**  
Shaws® Price Book



**SB1800**  
Shaws® Price Book

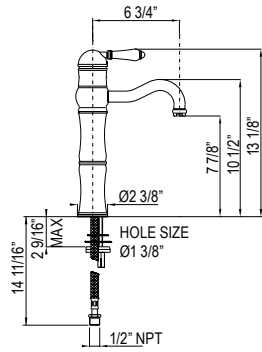


**RADFORD 51**  
Victoria + Albert® Price Book



**RADFORD**  
Victoria + Albert® Price Book

BATH FIXTURES



**A3672 Acqui® Single Handle Tall Lavatory Faucet**



**Suggested Retail Price**

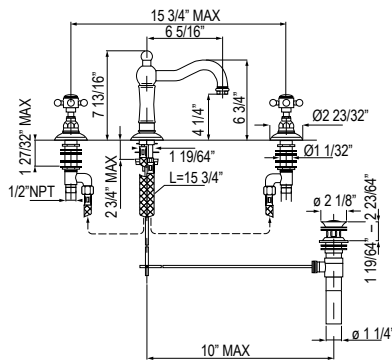
Handle	APC	PN	STN	IB	TCB
A3672LC --2	1147	1376	1438	1629	1629
A3672LM --2	1006	1207	1301	1428	1428
A3672LP --2	1006	1207	1301	1428	1428

- 1.2 GPM at 60 PSI (CEC compliant)
- Drain sold separately. See drain options below and Lavatory Drain tab for pricing
- Matching tub filler A1404

See Lavatory Drains tab for pricing.



5445 5447 6442 7444 8446 CC231OFWO 0127DOF CNZREMOTE U.6702



**A1409 Acqui® Widespread Lavatory Faucet**



**Suggested Retail Price**

Handle	APC	PN	STN	IB	TCB	ULB
A1409LC --2	1249	1499	1583	1773	1773	
A1409LM --2	793	951	1058	1125	1125	1125
A1409LP --2	793	951	1058	1125	1125	1125
A1409XM --2	793	951	1058	1125	1125	1125

- Lift rod drain assembly included with faucet
- 1.2 GPM at 60 PSI (CEC compliant)
- Matching tub filler A1404

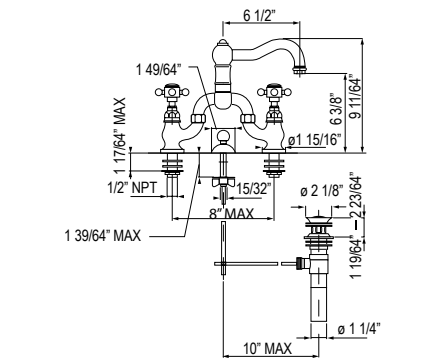
**A1419 Acqui® Bridge Lavatory Faucet**



**Suggested Retail Price**

Handle	APC	PN	STN	IB	TCB
A1419LC --2	1289	1547	1611	1830	1830
A1419LM --2	1032	1238	1290	1465	1465
A1419LP --2	1032	1238	1290	1465	1465
A1419XM --2	1032	1238	1290	1465	1465

- Lift rod drain assembly included with faucet
- 1.2 GPM at 60 PSI (CEC compliant)
- Matching tub filler A1404



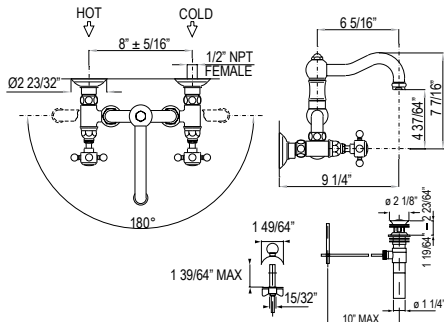
**A1418 Acqui® Wall Mount Bridge Lavatory Faucet With Column Spout**



**Suggested Retail Price**

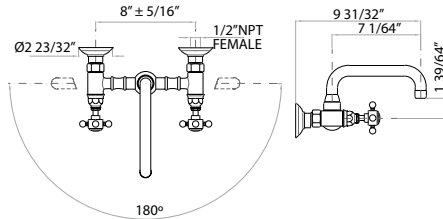
Handle	APC	PN	STN	IB	TCB
A1418LC --2	1289	1693	2002	2576	2576
A1418LM --2	1032	1356	1603	2062	2062
A1418LP --2	1032	1356	1603	2062	2062
A1418XM --2	1032	1356	1603	2062	2062

- Lift rod drain assembly included with faucet
- 2" straight union extensions available, order part # C7205EXT+FINISH for a set of two.
- 1.2 GPM at 60 PSI (CEC compliant)
- Matching tub filler A1404





### A1423 Acqui® Wall Mount Bridge Lavatory Faucet With U-Spout



**Suggested Retail Price**

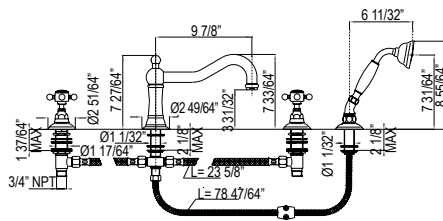
Handle	APC	PN	STN	IB	TCB
A1423LC	-2	840	1008	1050	1193
A1423LM	-2	659	790	865	935
A1423LP	-2	659	790	865	935
A1423XM	-2	659	790	865	935

- 2" straight union extensions available, order part # C7205EXT+FINISH for a set of two.
- 1.2 GPM at 60 PSI (CEC compliant)
- Drain sold separately. See drain options below and Lavatory Drain tab for pricing
- Matching tub filler A1404

### See Lavatory Drains tab for pricing.



### A1404 Acqui® 4-Hole Deck Mount Tub Filler

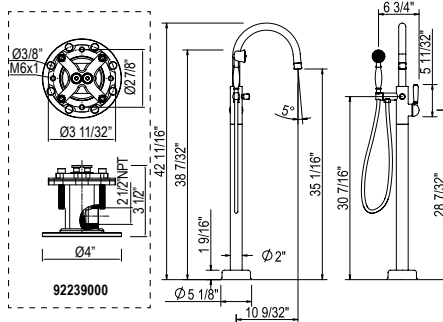


**Suggested Retail Price**

Handle	APC	PN	STN	IB	TCB	ULB
A1404LC	1996	2395	2510	2834	2834	
A1404LM	1744	2093	2225	2477	2477	2477
A1404LP	1744	2093	2225	2477	2477	2477
A1404XM	1744	2093	2225	2477	2477	2477

- Single-function anti-calcium handshower at 1.8 GPM at 60 PSI
- 9 GPM at 60 PSI (CEC compliant)
- 3/4" male NPT inlet
- Matching lavatory faucet A1409

### T1587 Traditional Single Hole Floor Mount Tub Filler Trim

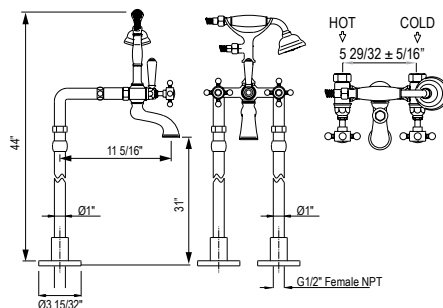


**Suggested Retail Price**

Handle	APC	PN	STN
T1587LM	/TO	1967	2360
		2835	

- Single-function anti-calcium handshower at 1.8 GPM at 60 PSI
- 6 GPM at 60 PSI (CEC compliant)
- 1/2" female NPT inlet
- Rough valve sold separately  
— Order R922390000 floor rough valve: \$608
- Remote thermostatic valve may be needed; verify local code requirements

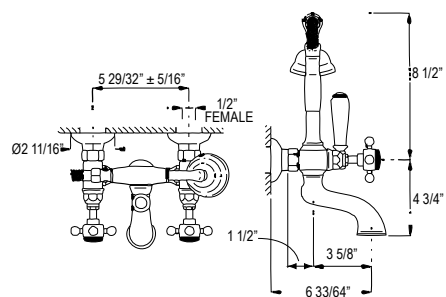
### AKIT1401N Floor Mount Tub Filler



**Suggested Retail Price**

Handle	APC	PN	STN	IB	TCB
AKIT1401NLC	3205	3846	4304	4816	4618
AKIT1401NLM	2880	3456	3968	4355	4158
AKIT1401NLP	2880	3456	3968	4355	4158
AKIT1401NXM	2880	3456	3968	4355	4158

- Single-function anti-calcium handshower at 1.8 GPM at 60 PSI
- 10 GPM at 60 PSI (CEC compliant)
- 1/2" female NPT inlet



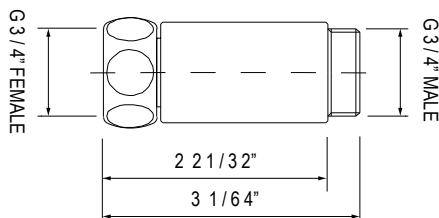
### A1401 Exposed Wall Mount Tub Filler



**Suggested Retail Price**

Handle	APC	PN	STN	IB	TCB
A1401LC	1810	2172	2355	2570	2570
A1401LM	1486	1783	2019	2110	2110
A1401LP	1486	1783	2019	2110	2110
A1401XM	1486	1783	2019	2110	2110

- Single-function anti-calcium handshower at 1.8 GPM at 60 PSI
- 10 GPM at 60 PSI (CEC compliant)
- 1/2" female NPT inlet
- If the deck unions AR00380 or the floor pillar legs ZA386 are used, you MUST include the adaptor C5574EXT. Allow for an extra 2 5/8" in the length. This may affect your rough-in dimensions.



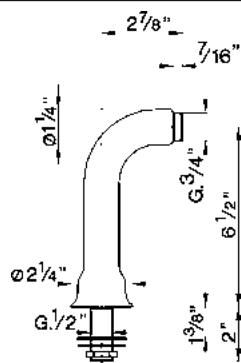
### C5574EXT Union Adaptors



**Suggested Retail Price**

	APC	PN	STN	IB	TCB
C5574EXT	189	189	242	242	242

- 3/4" female NPT inlet
- Allow for an extra 2 5/8" in length. This may affect your rough-in dimensions.



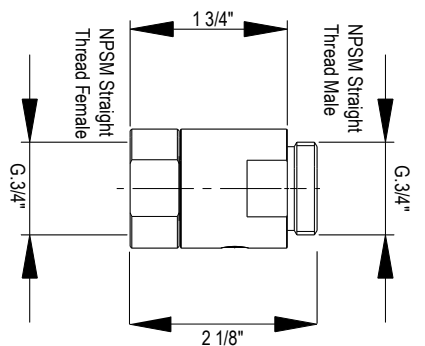
### AR00380 Deck Unions



**Suggested Retail Price**

	APC	PN	STN	IB	TCB	ULB
AR00380-	549	659	703	780	780	780

- 1/2" female NPT inlet
- Order C5574EXT for use with A1401, A1901, A2701



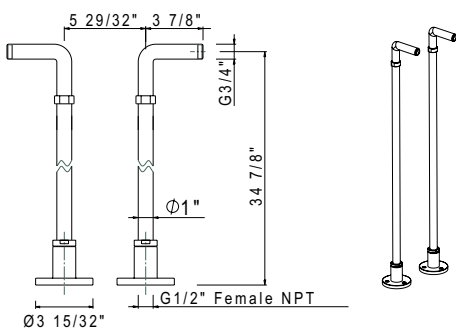
### ZA1038402 Floor Pillar Unions With Shut-Off Valves



**Suggested Retail Price**

	APC	STN	PN	TCB	IB
ZA10384021-	205				
ZA1038402A-		263			
ZA1038402B-			246		
ZA1038402V-				292	
ZA1038402Z-					292

- Fits ZA386 floor pillar legs



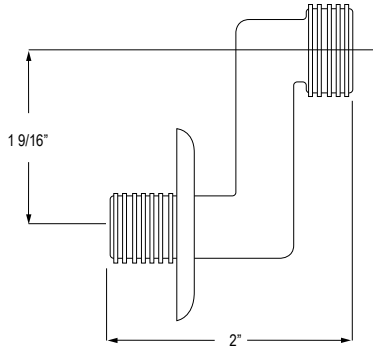
### ZA386 Floor Pillar Unions



**Suggested Retail Price**

	APC	PN	STN	IB	TCB
ZA386-	1220	1464	1725	2021	1824

- Cannot be cut down
- 1/2" female NPT inlet
- Extra horizontal reach union adaptors available, order C5574EXT
- Optional support bracket or stanchion not included with floor legs, order separately as ZZ940830 with finish



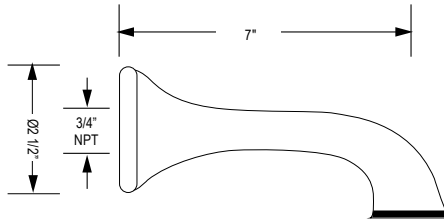
### ZZ9314302/2 Wall Unions



- 1/2" NPSM X 3/4" NPSM
- Order C5574EXT for use with A1401, A1901, A2701

#### Suggested Retail Price

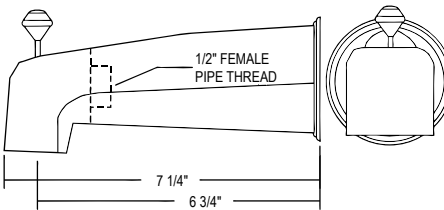
	APC	STN	PN	TCB	IB
ZZ93143021/2- _ _	213				
ZZ9314302A/2- _ _		389			
ZZ9314302B/2- _ _			318		
ZZ9314302V/2- _ _				389	
ZZ9314302Z/2- _ _					389



- 6 GPM at 60 PSI
- 3/4" female NPT inlet

#### Suggested Retail Price

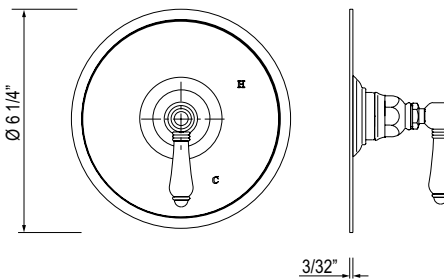
	APC	PN	STN	IB	TCB	ULB
C2503 _ _	215	237	279	306	306	306



- 6 GPM at 60 PSI
- 1/2" female I.P.S. inlet
- If using another rough valve other than the RCT-1 a twin ell may be required by the installer

#### Suggested Retail Price

	APC	PN	STN	IB	TCB
RT8000 _ _	151	226	226	814	629



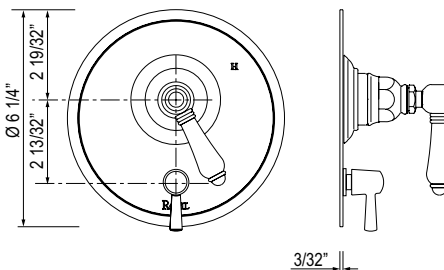
### A1410 1/2" Pressure Balance Trim Without Diverter



- Temperature control only
- 1 function
- Rough valve sold separately
  - Order RCT-1/2" Pressure balance rough: \$183

#### Suggested Retail Price

Handle	APC	PN	STN	IB	TCB
A1410LC _ _	497	596	688	730	705
A1410LM _ _	363	436	556	598	556
A1410LP _ _	363	436	556	598	556
A1410XM _ _	363	436	556	598	556



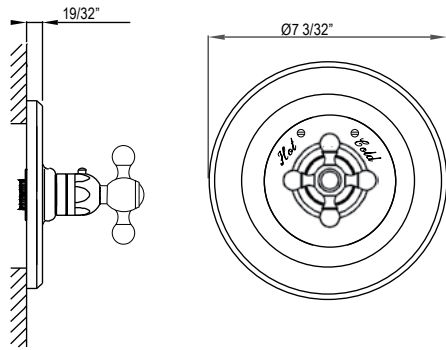
### A2410N 1/2" Pressure Balance Trim With Diverter



- Temperature control with diverter
- 2 function
- Rough valve sold separately
  - Order RDD-2 1/2" Pressure balance rough: \$294

#### Suggested Retail Price

Handle	APC	PN	STN	IB	TCB
A2410NLC _ _	571	685	768	843	811
A2410NLM _ _	437	525	636	711	644
A2410NLP _ _	437	525	636	711	644
A2410NXM _ _	437	525	636	711	644

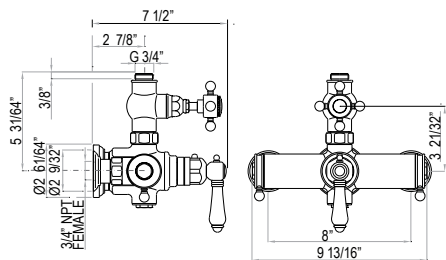


### A4914 3/4" Thermostatic Trim Without Volume Control



Handle	Suggested Retail Price					
	APC	PN	STN	IB	TCB	ULB
A4914LC	562	674	771	799	799	
A4914LM	400	480	625	625	625	625
A4914LP	400	480	625	625	625	625
A4914XM	400	480	625	625	625	625

- Temperature control only
- Rough valve sold separately
  - Order 1005N 3/4" thermostatic rough valve: \$333
- Volume control(s) required

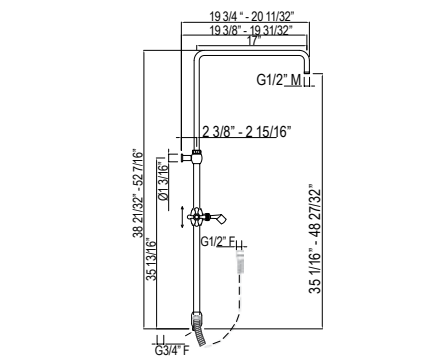


### A4917 Exposed Therm Valve with Volume and Temperature Control



Handle	Suggested Retail Price					
	APC	PN	STN	IB	TCB	ULB
A4917LC	2543	3340	4017	5081	5081	
A4917LM	2298	3020	3716	4596	4596	
A4917LP	2298	3020	3716	4596	4596	
A4917XM	2298	3020	3716	4596	4596	

- Temperature and volume control
- Cross handle on volume control and metal lever on temperature control for XM model
- 16 GPM at 45 PSI
- Must order 1560 riser to connect to outlet

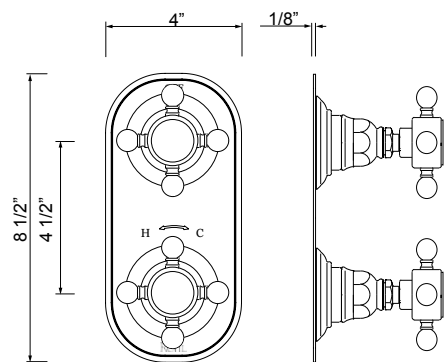


### 1560 Riser With Diverter, Hose And Sliding Handshower Holder



1560	Suggested Retail Price					
	APC	PN	STN	IB	TCB	ULB
1560	1319	1583	1753	1873	1873	

- Adjustable height. Upper riser can recess into lower riser and swivel.
- Must order showerhead and handshower separately

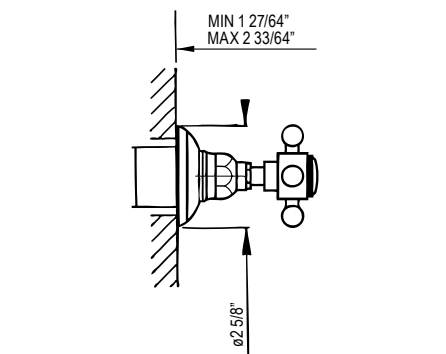


### A4964 1/2" Thermostatic Trim with Diverter



Handle	Suggested Retail Price					
	APC	PN	STN	IB	TCB	ULB
A4964LC	851	1021	1180	1209	1209	
A4964LM	583	700	916	916	916	916
A4964LP	583	700	916	916	916	916
A4964XM	583	700	916	916	916	916

- Temperature control with diverter
- Rough valve sold separately. Select one:
  - Order R1051BV 1/2" thermostatic 1 function rough valve: \$404
  - Order R1052BD 1/2" thermostatic 2 function rough valve: \$405
  - Order R1053BD 1/2" thermostatic 3 function rough valve: \$472
  - Order R1055BD 1/2" thermostatic 5 function rough valve: \$472

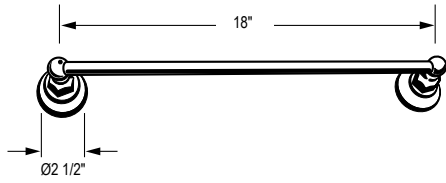


### A4912 Trim For Volume Control And Diverter



Handle	Suggested Retail Price					
	APC	PN	STN	IB	TCB	ULB
A4912LC	345	413	500	500	500	
A4912LM	211	253	368	368	368	368
A4912LP	211	253	368	368	368	368
A4912XM	211	253	368	368	368	368

- Volume control or diverter only
- Rough valve sold separately. Select one:
  - Order R1040R 3/4" volume control rough valve: \$144
  - Order R1062BO 4-port, 3-way dedicated diverter rough valve: \$329



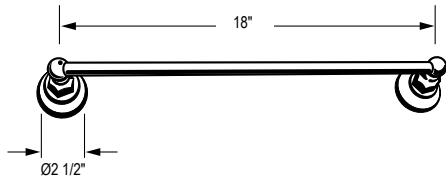
### ROT1/18 18" Towel Bar

**Suggested Retail Price**

	APC	PN	STN	IB	TCB	ULB
ROT1/18 _ _	218	261	272	309	309	345



- Length can be cut down



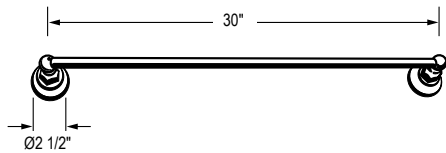
### ROT1/24 24" Towel Bar

**Suggested Retail Price**

	APC	PN	STN	IB	TCB	ULB
ROT1/24 _ _	231	277	289	328	328	370



- Length can be cut down



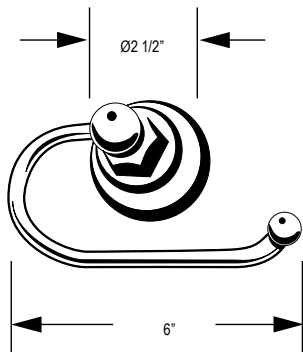
### ROT1/30 30" Towel Bar

**Suggested Retail Price**

	APC	PN	STN	IB	TCB
ROT1/30 _ _	243	291	303	344	344



- Length can be cut down



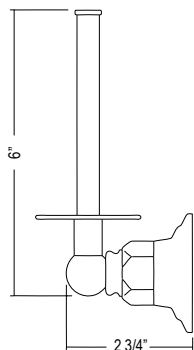
### ROT8 Toilet Paper Holder

**Suggested Retail Price**

	APC	PN	STN	IB	TCB	ULB
ROT8 _ _	143	171	178	202	202	220



- There's no need to compromise on design in this essential space
- Accommodates most oversized TP rolls



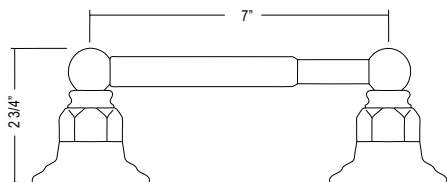
### ROT19 Spare Toilet Paper Holder

**Suggested Retail Price**

	APC	PN	STN	IB	TCB
ROT19 _ _	186	223	232	264	264



- There's no need to compromise on design in this essential space



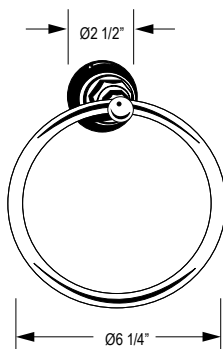
### ROT18 Toilet Paper Holder With Lift Arm

#### Suggested Retail Price

	APC	PN	STN	IB	TCB	ULB
ROT18 __	243	291	303	344	344	346



- Replacement roll holder available, order TROLLER



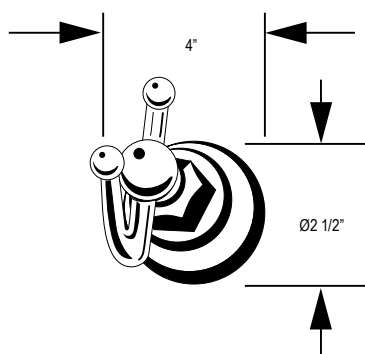
### ROT4 Towel Ring

#### Suggested Retail Price

	APC	PN	STN	IB	TCB	ULB
ROT4 __	146	175	182	207	207	217



- Elegantly display bath towels in a coordinated fashion with other accessories



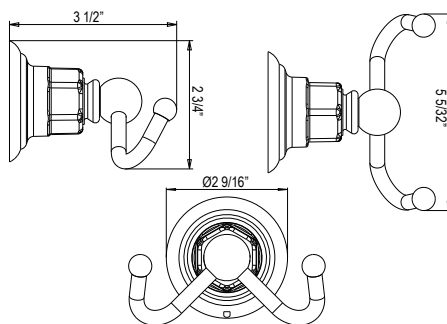
### ROT7 Robe Hook

#### Suggested Retail Price

	APC	PN	STN	IB	TCB
ROT7 __	131	157	164	186	186



- Holds one robe or towel close to your shower or bathing space



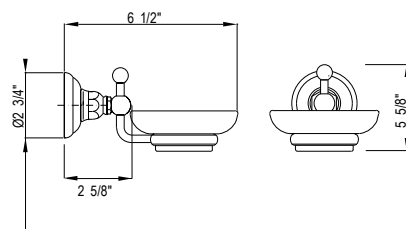
### ROT7D Double Robe Hook

#### Suggested Retail Price

	APC	PN	STN	IB	TCB	ULB
ROT7D __	147	176	183	208	208	216



- Optimize space with this double hook for multiple robe/towel storage



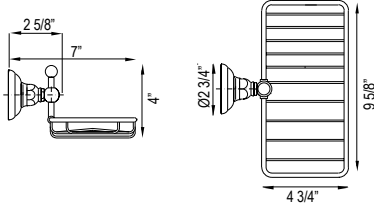
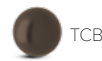
### A1487 Wall Mount Soap Dish

#### Suggested Retail Price

	APC	PN	STN	IB	TCB
A1487 __	267	321	351	379	379



- Replacement dish part #: C1487/1



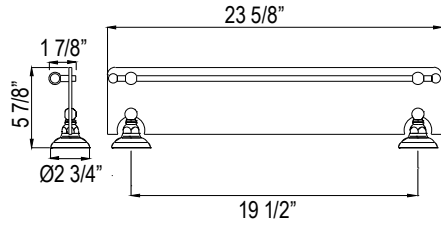
### A1493 Soap Basket



- An elegant addition to the shower space that provides a dedicated holder for your bar soap
- 7" projection

#### Suggested Retail Price

	APC	PN	STN	IB	TCB
A1493	322	386	428	457	457



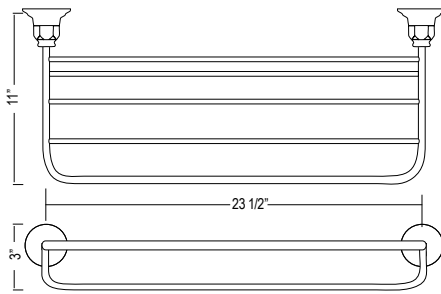
### A1480 Wall Mount Towel Shelf



- Glass replacement part #: C1480/3

#### Suggested Retail Price

	APC	PN	STN	IB	TCB
A1480	516	616	516	550	550



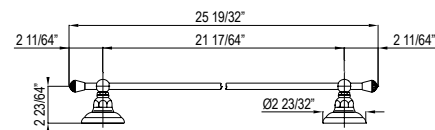
### ROT10 Wall Mount Towel Shelf



- Ideal for storing and hanging towels in the bathroom

#### Suggested Retail Price

	APC	PN	STN	IB	TCB
ROT10	544	653	680	773	773



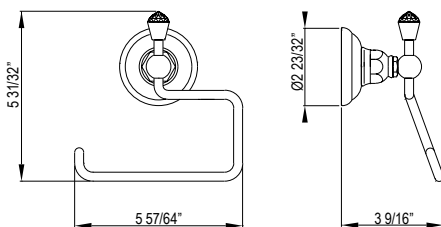
### A1486C Swarovski® Crystal 24" Towel Bar



- Length cannot be cut down

#### Suggested Retail Price

	APC	PN	STN	IB	TCB
A1486C	455	546	575	646	646



### A1492C Swarovski® Crystal Wall Mount Toilet Paper Holder



- There's no need to compromise on design in this essential space

#### Suggested Retail Price

	APC	PN	STN	IB	TCB
A1492C	323	387	412	458	458



LP



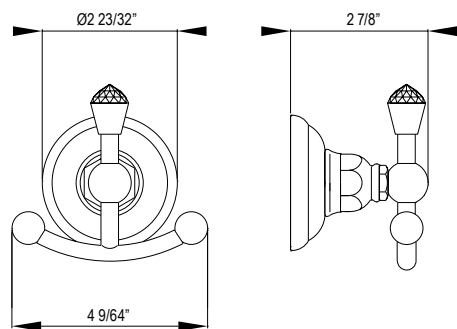
LM



XM



LC



### A1481C Swarovski® Crystal Double Robe Hook

#### Suggested Retail Price

	APC	PN	STN	IB	TCB
A1481C _ _	271	326	341	385	385



- Optimize space with this double hook for multiple robe/towel storage





### ACQUI™ PRESSURE BALANCE SHOWER OPTION 1

Model	Description	Suggested Retail Price
		Polished Chrome
A1410	Trim	363
1101/8E	Handshower	220
D800	Handshower Bar	388
1295	Outlet	102
16295	Hose	53
RCT-1	Rough	183
<b>Total Package List Price With Roughs</b>		<b>1,309</b>

**Note:** Sample configuration priced in Polished Chrome. Other configurations and finishes available. Complete your Shower experience by including one of our decorative drain options.



### ACQUI™ PRESSURE BALANCE SHOWER OPTION 2

Model	Description	Suggested Retail Price
		Polished Chrome
A2410	Trim	437
WI0197	Showerhead	178
1440/6	Shower Arm	80
1101/8E	Handshower	220
D800	Handshower Bar	388
1295	Outlet	102
16295	Hose	53
RDD-2	Rough	294
<b>Total Package List Price With Roughs</b>		<b>1,752</b>

**Note:** Sample configuration priced in Polished Chrome. Other configurations and finishes available. Complete your Shower experience by including one of our decorative drain options.



LP



LM



XM



LC



### ACQUI™ 1/2" THERMOSTATIC SHOWER OPTION 1

Suggested Retail Price

Model	Description	Polished Chrome
A4964	Trim	583
1037/8	Showerhead	517
1120	Shower Arm	101
B0314	Handshower	123
1201	Handshower Bar	435
1295	Outlet	102
16295	Hose	53
<b>Total Package List Price With Roughs</b>		<b>2,386</b>
R1055BD	Rough	472
<b>Total Package List Price With Roughs</b>		<b>2,319</b>

**Note:** Sample configuration priced in Polished Chrome. Other configurations and finishes available. Complete your Shower experience by including one of our decorative drain options.

### ACQUI™ 1/2" THERMOSTATIC SHOWER OPTION 2

Suggested Retail Price

Model	Description	Polished Chrome
A4964	Trim	583
1037/8	Showerhead	517
1120	Shower Arm	101
1047/8	Ceiling Showerhead	1,198
1505/3	Ceiling Shower Arm	111
B0314	Handshower	123
1201	Handshower Bar	435
1295	Outlet	102
16295	Hose	53
<b>Total Package List Price With Roughs</b>		<b>3,695</b>
R1055BD	Rough	472
<b>Total Package List Price With Roughs</b>		<b>3,695</b>

**Note:** Sample configuration priced in Polished Chrome. Other configurations and finishes available. Complete your Shower experience by including one of our decorative drain options.



### ACQUI™ 1/2" THERMOSTATIC SHOWER OPTION 3

Model	Description	Suggested Retail Price
		Polished Chrome
A4964	Trim	583
1037/8	Showerhead	517
1120/12	Shower Arm	73
B0314	Handshower	123
CD8000	Handshower Bracket	154
16295	Hose	53
C2503	Tub Spout	215
R1055BD	Rough	472
<b>Total Package List Price With Roughs</b>		<b>2,190</b>
R1053BD	Rough (No Share)	472
<b>Total Package List Price With Roughs</b>		<b>2,190</b>

**Note:** Sample configuration priced in Polished Chrome. Other configurations and finishes available. Complete your Shower experience by including one of our decorative drain options.



### ACQUI™ 3/4" THERMOSTATIC SHOWER OPTION 1

Model	Description	Suggested Retail Price
		Polished Chrome
A4914	Trim	400
1037/8	Showerhead	517
1120	Shower Arm	101
B0314	Handshower	123
1201	Handshower Bar	435
1295	Outlet	102
16295	Hose	53
A4912 (x3)	Volume Controls (x3)	633
1095/8 (x2)	Body Sprays (x2)	732
1005N	Rough	333
R1040R (x3)	Volume Control Rough (x3)	432
<b>Total Package List Price With Roughs</b>		<b>3,861</b>

**Note:** Sample configuration priced in Polished Chrome. Other configurations and finishes available. Complete your Shower experience by including one of our decorative drain options.



# ARCANA™

Tales of magic accompany the Isle of San Giulio. The huge bell atop its tower would ring out to warn inhabitants of danger, both real and imaginary. The Arcana™ Collection captures the story of its inspiration, starting with its name which means mysterious. The convex shape of the bell is mirrored in the base of the handles. The long neck pays tribute to the 800-year-old tower. Soft, rounded forms create a contemporary take on traditional Italian style. The Arcana Collection is designed to add a charmed aura to sink, bath, and shower.



AC102LMAPC

### Handle Options



Classic Metal Lever  
LM



Ornate Porcelain Lever  
OP



Cross Handle  
X

### Available Finishes:



Polished Chrome  
APC



Polished Nickel  
PN



Satin Nickel  
STN



Italian Brass  
IB



Tuscan Brass®  
TCB

See product page for available finishes



APC



PN



STN



IB



TCB

FAUCETS



AC95  
page 176



AC102  
page 176



AC107  
page 176

TUB FILLERS



AC262  
page 176



T1587  
page 176



ACKIT7383  
page 177



AC24  
page 178

SHOWER TRIMS



AC110  
page 178



AC210N  
page 178



AC720  
page 179



AC390  
page 179

PRESSURE BALANCE

1/2" THERMOSTATIC

3/4" THERMOSTATIC

SHOWER PACKAGES



page 182



page 182



page 183



page 183



page 184



page 184



LM



OP



X

# COMPLEMENTARY ITEMS

See product page for available finishes.

 Home

 Index



**1037/8**  
page 385



**100131**  
page 389



**1085/8**  
page 390



**100218**  
page 390



**1505/3**  
page 397



**1151/8**  
page 401



**B204**  
page 399



**SDPVC2/3-3142**  
page 421



**1311**  
page 407



**D63003**  
page 408



**1251**  
page 411



**C50000/1**



**CIS1/24**  
page 179



**CIS18**  
page 180



**CIS4**  
page 180



**CIS7D**  
page 181



**SB2015**  
Shaws® Price Book



**U.2933 + U.2934**  
Perrin & Rowe® Price Book



**RADFORD 51**  
Victoria + Albert® Price Book



**DRAYTON**  
Victoria + Albert® Price Book

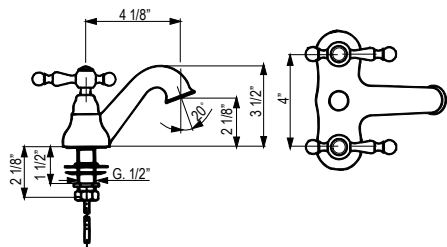
SHOWER

ACCESSORIES

BATH FIXTURES

SAN JULIO  
TENERIFE  
TUJARO  
ACQUI  
ARCAVA  
BELLIA  
CAMPO  
ECLISSI  
GRACELINE  
LOMBARDIA  
MEDA  
MISCELO  
PALLADIAN

### AC95 Arcana™ Two Handle Centerset Lavatory Faucet

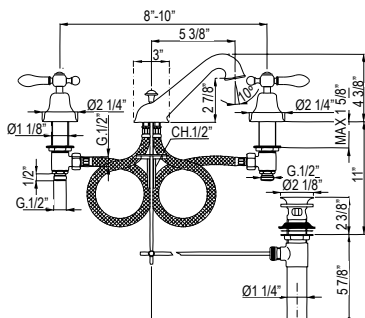


**Suggested Retail Price**

Handle	APC	PN	STN	IB	TCB
AC95LM-__-2	647	772	803	910	910
AC95OP-__-2	647	772	803	910	910
AC95X-__-2	647	772	803	910	910

- Lift rod drain assembly included with faucet
- 1.2 GPM at 60 PSI (CEC compliant)

### AC102 Arcana™ Widespread Lavatory Faucet With C-Spout

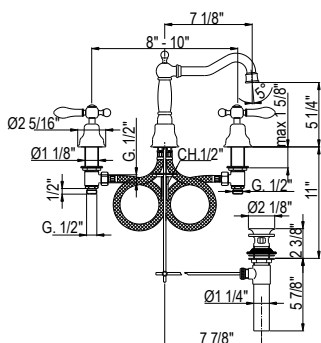


**Suggested Retail Price**

Handle	APC	PN	STN	IB	TCB
AC102LM-__-2	566	679	713	804	804
AC102OP-__-2	566	679	713	804	804
AC102X-__-2	566	679	713	804	804

- Lift rod drain assembly included with faucet
- 1.2 GPM at 60 PSI (CEC compliant)

### AC107 Arcana™ Widespread Lavatory Faucet With Column Spout

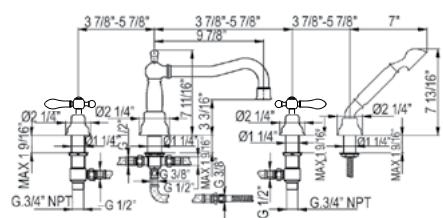


**Suggested Retail Price**

Handle	APC	PN	STN	IB	TCB
AC107LM-__-2	744	893	932	1056	1056
AC107OP-__-2	744	893	932	1056	1056
AC107X-__-2	744	893	932	1056	1056

- Lift rod drain assembly included with faucet
- 1.2 GPM at 60 PSI (CEC compliant)

### AC262 Arcana™ 4-Hole Deck Mount Tub Filler with Column Spout

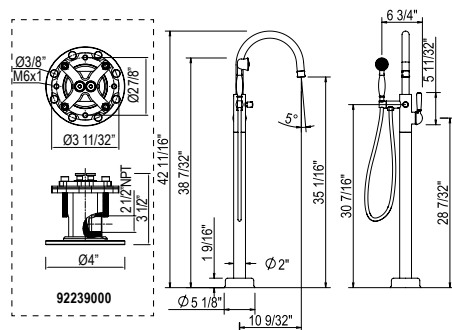


**Suggested Retail Price**

Handle	APC	PN	STN	IB	TCB
AC262LM-__-2	2219	2663	2928	3151	3151
AC262OP-__-2	2219	2663	2930	3151	3151
AC262X-__-2	2219	2916	3641	4435	4435

- Single-function anti-calcium handshower at 1.8 GPM at 60 PSI
- 12 GPM at 60 PSI (CEC compliant)
- 3/4" female NPT inlet

### T1587 Traditional Single Hole Floor Mount Tub Filler Trim

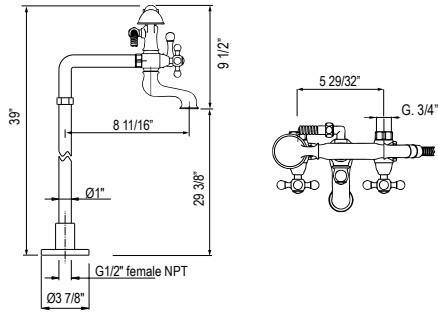


**Suggested Retail Price**

Handle	APC	PN	STN
T1587LM-__/TO	1967	2360	2835

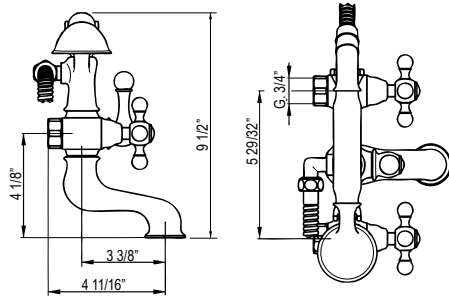
- Single-function anti-calcium handshower at 1.8 GPM at 60 PSI
- 6 GPM at 60 PSI (CEC compliant)
- 1/2" female NPT inlet
- Rough valve sold separately
  - Order R922390000 floor rough valve: \$608
- Remote thermostatic valve may be needed; verify local code requirements



**ACKIT7383** Arcana™ Floor Mount Tub Filler**Suggested Retail Price**

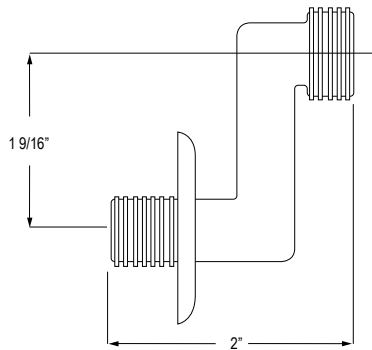
Handle	APC	PN	STN	IB	TCB
ACKIT7383NX-	2208	2649	3014	3424	3226

- Single-function anti-calcium handshower at 1.8 GPM at 60 PSI
- Floor legs cannot be cut down
- 8 GPM at 60 PSI (CEC compliant)
- 1/2" female NPT inlet
- Decorative shut offs available.

**AC7** Arcana™ Exposed Wall Mount Tub Filler**Suggested Retail Price**

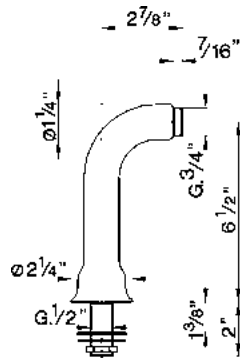
Handle	APC	PN	STN	IB	TCB
AC7X-	988	1186	1290	1403	1403

- Single-function anti-calcium handshower at 1.8 GPM at 60 PSI
- 8 GPM at 60 PSI (CEC compliant)
- 3/4" female NPT inlet
- Must order unions to complete:
  - AR00380 - deck unions
  - ZA386 - floor pillar legs
  - ZZ9314302 - wall unions
  - ZZ935350 - iron tub unions

**ZZ9314302/2** Wall Unions**Suggested Retail Price**

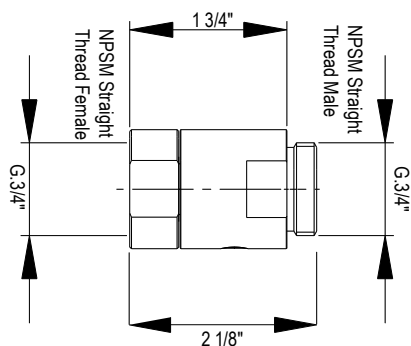
	APC	STN	PN	TCB	IB
ZZ93143021/2-	213				
ZZ9314302A/2-		389			
ZZ9314302B/2-			318		
ZZ9314302V/2-				389	
ZZ9314302Z/2-					389

- 1/2" NPSM X 3/4" NPSM
- Order C5574EXT for use with A1401, A1901, A2701

**AR00380** Deck Unions**Suggested Retail Price**

	APC	PN	STN	IB	TCB
AR00380-	549	659	703	780	780

- 1/2" female NPT inlet
- Order C5574EXT for use with A1401, A1901, A2701

**ZA1038402** Floor Pillar Unions With Shut-Off Valves**Suggested Retail Price**

	APC	STN	PN	TCB	IB
ZA10384021-	205				
ZA1038402A-		263			
ZA1038402B-			246		
ZA1038402V-				292	
ZA1038402Z-					292

- Fits ZA386 floor pillar legs



SAN JULIO

TENERIFE

TUARIO

ACQUI

ARCANA

BELLIA

CAMPO

ECLISSI

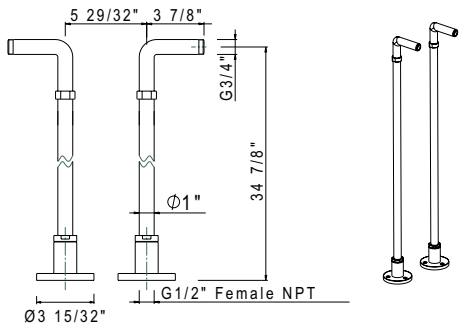
GRACELINE

LOMBARDIA

MEDA

MISCELO

PALLADIAN



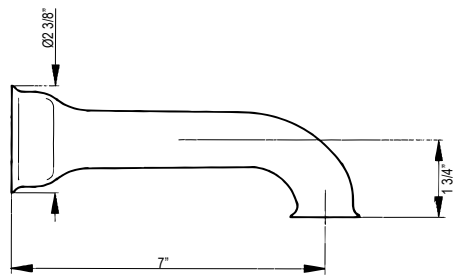
**ZA386 Floor Pillar Unions**



**Suggested Retail Price**

	APC	PN	STN	IB	TCB
ZA386-__	1220	1464	1725	2021	1824

- Cannot be cut down
- 1/2" female NPT inlet
- Extra horizontal reach union adaptors available, order C5574EXT
- Optional support bracket or stanchion not included with floor legs, order separately as ZZ940830 with finish



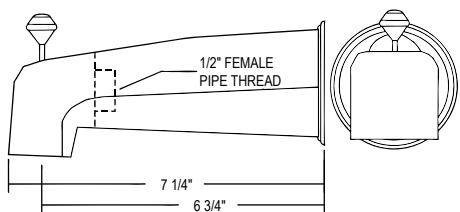
**AC24 Arcana™ Wall Mount Tub Spout**



**Suggested Retail Price**

	APC	PN	STN	IB	TCB
AC24-__	200	240	265	285	285

- 6 GPM at 60 PSI
- 1/2" female NPT inlet



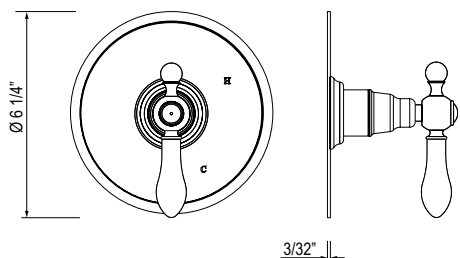
**RT8000 Wall Mount Tub Spout With Diverter**



**Suggested Retail Price**

	APC	PN	STN	IB	TCB
RT8000-__	151	226	226	814	629

- 6 GPM at 60 PSI
- 1/2" female I.P.S. inlet
- If using another rough valve other than the RCT-1 a twin ell may be required by the installer



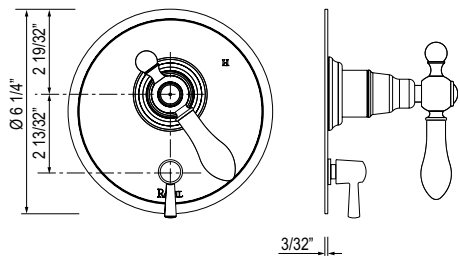
**AC110 Arcana™ 1/2" Pressure Balance Trim Without Diverter**



**Suggested Retail Price**

Handle	APC	PN	STN	IB	TCB
AC110LM-__	402	483	547	608	571
AC110OP-__	402	483	547	608	571
AC110X-__	402	483	547	608	571

- Temperature control only
- 1 function
- Rough valve sold separately  
— Order RCT-1 1/2" Pressure balance rough: \$183



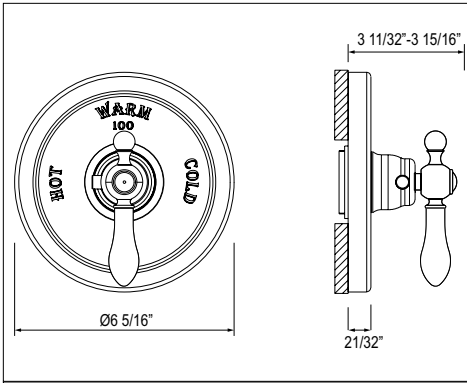
**AC210N Arcana™ 1/2" Pressure Balance Trim With Diverter**



**Suggested Retail Price**

Handle	APC	PN	STN	IB	TCB
AC210NLM-__	476	572	628	721	676
AC210NOP-__	476	572	628	721	676
AC210NX-__	476	572	628	721	676

- Temperature control with diverter
- 2 function
- Rough valve sold separately  
— Order RDD-2 1/2" Pressure balance rough: \$294



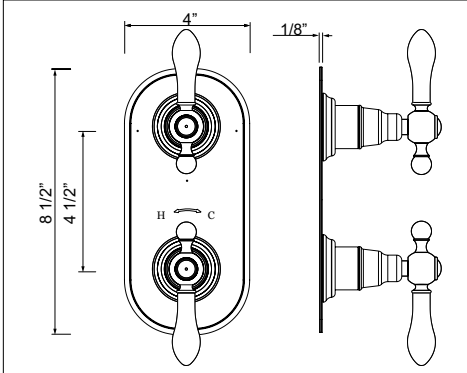
**AC720 Arcana™ 3/4" Thermostatic Trim Without Volume Control**



**Suggested Retail Price**

Handle	APC	PN	STN	IB	TCB
AC720LM- _ _ /TO	366	439	510	549	549
AC720OP- _ _ /TO	366	439	510	549	549
AC720X- _ _ /TO	366	439	510	549	549

- Temperature control only
- Rough valve sold separately
  - Order 1005N 3/4" thermostatic rough valve: \$333
- Volume control(s) required



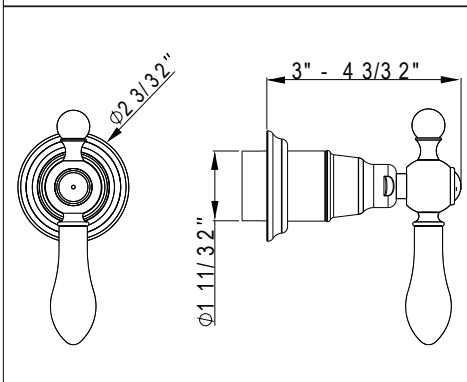
**AC390 Arcana™ 1/2" Thermostatic Trim with Diverter**



**Suggested Retail Price**

Handle	APC	PN	STN	IB	TCB
AC390LM- _ _ /TO	662	794	900	939	939
AC390OP- _ _ /TO	662	794	900	939	939
AC390X- _ _ /TO	662	794	900	939	939

- Temperature control with diverter
- Up to 5 functions
- Rough valve sold separately. Select one:
  - Order R1051BV 1/2" thermostatic 1 function rough valve: \$404
  - Order R1052BD 1/2" thermostatic 2 function rough valve: \$405
  - Order R1053BD 1/2" thermostatic 3 function rough valve: \$472
  - Order R1055BD 1/2" thermostatic 5 function rough valve: \$472



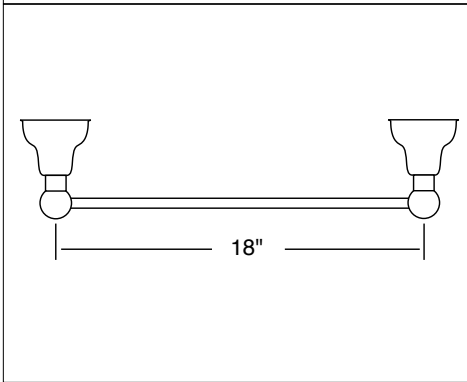
**AC195 Arcana™ Trim For Volume Control And Diverter**



**Suggested Retail Price**

Handle	APC	PN	STN	IB	TCB
AC195LM- _ _ /TO	250	300	360	379	379
AC195OP- _ _ /TO	250	300	360	379	379
AC195X- _ _ /TO	250	300	360	379	379

- Volume control or diverter only
- Rough valve sold separately. Select one:
  - Order R1040R 3/4" volume control rough valve: \$144
  - Order R1062BO 4-port, 3-way dedicated diverter rough valve: \$329



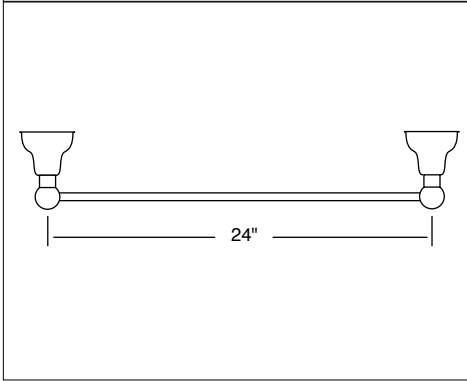
**CIS1/18 Arcana™ 18" Towel Bar**



**Suggested Retail Price**

	APC	PN	STN	IB	TCB
CIS1/18 _ _	232	279	290	330	330

- Length can be cut down



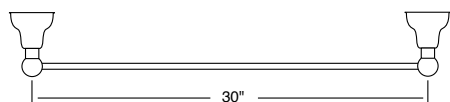
**CIS1/24 Arcana™ 24" Towel Bar**



**Suggested Retail Price**

	APC	PN	STN	IB	TCB
CIS1/24 _ _	236	284	295	335	335

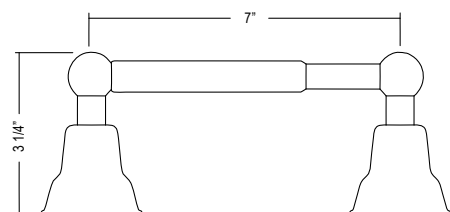
- Length can be cut down

**CIS1/30 Arcana™ 30" Towel Bar****Suggested Retail Price**

	APC	PN	STN	IB	TCB
CIS1/30 _ _	245	293	306	347	347



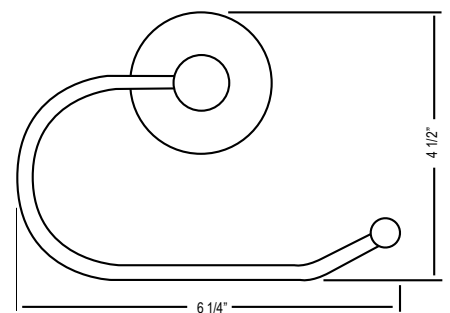
- Length can be cut down

**CIS18 Arcana™ Toilet Paper Holder****Suggested Retail Price**

	APC	PN	STN	IB	TCB
CIS18 _ _	248	297	309	352	352



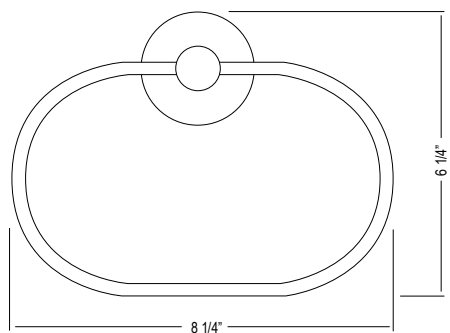
- There's no need to compromise on design in this essential space
- Accommodates oversized TP rolls

**CIS8 Arcana™ Toilet Paper Holder****Suggested Retail Price**

	APC	PN	STN	IB	TCB
CIS8 _ _	143	171	178	202	202



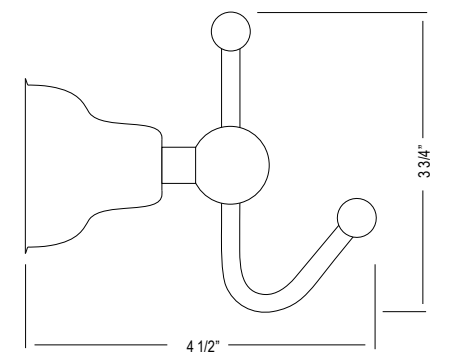
- There's no need to compromise on design in this essential space
- Accommodates oversized TP rolls

**CIS4 Arcana™ Towel Ring****Suggested Retail Price**

	APC	PN	STN	IB	TCB
CIS4 _ _	157	188	196	223	223



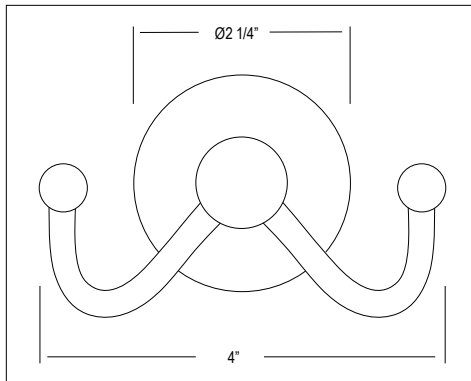
- Elegantly display bath towels in a coordinated fashion with other accessories

**CIS7 Arcana™ Robe Hook****Suggested Retail Price**

	APC	PN	STN	IB	TCB
CIS7 _ _	125	150	156	177	177



- Holds one robe or towel close to your shower or bathing space



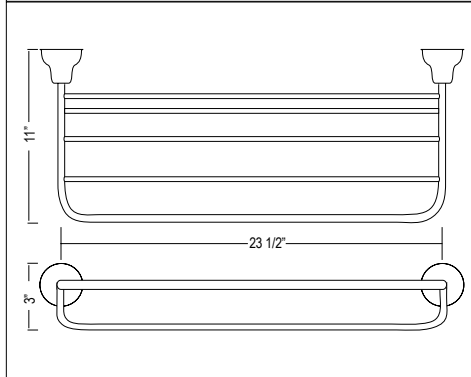
### CIS7D Arcana™ Double Robe Hook

#### Suggested Retail Price

	APC	PN	STN	IB	TCB
CIS7D	131	157	164	186	186



- Optimize space with this double hook for multiple robe/towel storage



### CIS10 Arcana™ Hotel Style Towel Shelf

#### Suggested Retail Price

	APC	PN	STN	IB	TCB
CIS10	529	635	661	751	751



- Ideal for storing and hanging towels in the bathroom
- Hotel style towel shelf and bar

**ARCANA™ PRESSURE BALANCE SHOWER OPTION 1****Suggested Retail Price**

Model	Description	Polished Chrome
AC110	Trim	402
1101/8E	Handshower	220
D800	Handshower Bar	388
1295	Outlet	102
16295	Hose	53
RCT-1	Rough	183
<b>Total Package List Price With Roughs</b>		<b>1,348</b>

**Note:** Sample configuration priced in Polished Chrome. Other configurations and finishes available. Complete your Shower experience by including one of our decorative drain options.

**ARCANA™ PRESSURE BALANCE SHOWER OPTION 2****Suggested Retail Price**

Model	Description	Polished Chrome
AC210	Trim	476
WI0197	Showerhead	178
1440/6	Shower Arm	80
1101/8E	Handshower	220
D800	Handshower Bar	388
1295	Outlet	102
16295	Hose	53
RDD-2	Rough	294
<b>Total Package List Price With Roughs</b>		<b>1,791</b>

**Note:** Sample configuration priced in Polished Chrome. Other configurations and finishes available. Complete your Shower experience by including one of our decorative drain options.



### ARCANA™ 1/2" THERMOSTATIC SHOWER OPTION 1

Model	Description	Suggested Retail Price
		Polished Chrome
AC390	Trim	662
1037/8	Showerhead	517
1120	Shower Arm	101
B0314	Handshower	123
1201	Handshower Bar	435
1295	Outlet	102
16295	Hose	53
<b>Total Package List Price With Roughs</b>		<b>2,465</b>
R1055BD	Rough	472
<b>Total Package List Price With Roughs</b>		<b>2,398</b>

**Note:** Sample configuration priced in Polished Chrome. Other configurations and finishes available. Complete your Shower experience by including one of our decorative drain options.

### ARCANA™ 1/2" THERMOSTATIC SHOWER OPTION 2



Model	Description	Suggested Retail Price
		Polished Chrome
AC390	Trim	662
1037/8	Showerhead	517
1120	Shower Arm	101
1047/8	Ceiling Showerhead	1,198
1505/3	Ceiling Shower Arm	111
B0314	Handshower	123
1201	Handshower Bar	435
1295	Outlet	102
16295	Hose	53
<b>Total Package List Price With Roughs</b>		<b>3,774</b>
R1055BD	Rough	472
<b>Total Package List Price With Roughs</b>		<b>3,774</b>

**Note:** Sample configuration priced in Polished Chrome. Other configurations and finishes available. Complete your Shower experience by including one of our decorative drain options.



### ARCANA™ 1/2" THERMOSTATIC SHOWER OPTION 3

Suggested Retail Price

Model	Description	Polished Chrome
AC390	Trim	662
1037/8	Showerhead	517
1120/12	Shower Arm	73
B0314	Handshower	123
CD8000	Handshower Bracket	154
16295	Hose	53
AC24	Tub Spout	200
R1055BD	Rough	472
<b>Total Package List Price With Roughs</b>		<b>2,254</b>
R1053BD	Rough (No Share)	472
<b>Total Package List Price With Roughs</b>		<b>2,254</b>

**Note:** Sample configuration priced in Polished Chrome. Other configurations and finishes available. Complete your Shower experience by including one of our decorative drain options.

### ARCANA™ 3/4" THERMOSTATIC SHOWER OPTION 1

Suggested Retail Price

Model	Description	Polished Chrome
AC720	Trim	366
1037/8	Showerhead	517
1120	Shower Arm	101
B0314	Handshower	123
1201	Handshower Bar	435
1295	Outlet	102
16295	Hose	53
AC195 (x3)	Volume Controls (x3)	750
1095/8 (x2)	Body Sprays (x2)	732
1005N	Rough	333
R1040R (x3)	Volume Control Rough (x3)	432
<b>Total Package List Price With Roughs</b>		<b>3,944</b>

**Note:** Sample configuration priced in Polished Chrome. Other configurations and finishes available. Complete your Shower experience by including one of our decorative drain options.





### AC407 ARCANA WALL MOUNT THERMOSTATIC SHOWER WITH VOLUME CONTROL

#### Suggested Retail Price

<b>AC407LM</b> (Classic Metal Levers)	<b>Polished Chrome</b>	\$4,352.00
<b>AC407OP</b> (Ornate Porcelain Levers)	<b>Polished Nickel</b>	\$4,883.00
<b>AC407X</b> (Cross Handles)	<b>Satin Nickel</b>	\$5,857.00
	<b>Italian Brass</b>	\$6,180.00
	<b>Tuscan Brass</b>	\$6,180.00

- Riser, diverter, handshower and showerhead included
- Includes single-function handshower with sliding parking bracket and 8 9/32" diameter single-function showerhead with swivel connection
- 19 11/16" reach shower arm
- Inlets 5 7/8 +/- 5/16" -to-center
- Inlets 3/4" female
- Integrated service stops
- Cross handle only on temperature control for all models
- Flow rate 1.8 GPM at 60 PSI for handshower or showerhead

Complete your Shower experience by including one of our decorative drain options.



SAN JULIO

TENERIFE

TUARIO

ACQUI

ARCANA

BELLIA

CAMPO

ECLISSI

GRACELINE

LOMBARDIA

MEDA

MISCELO

PALLADIAN

# BELLIA™

The city of Turin is Italy's center for Art Nouveau style. Known for its ornate use of line and curve, this early 20th century design proposed that all objects—from architecture to jewelry to faucets—should be in service to beautify. One of the most exquisite examples is Turin's Palazzo

Bellia—the inspiration for the Bellia™ Bath Collection. The Palazzo's triangular shape and angled corners influenced Bellia's unique contours. Sensual lines define the base and the curve of the neck, mixing simplicity and ornamentation, perfect for modern or transitional decor.



BE106LRG

### Handle Options



*Metal Lever*  
L



*Cross Handle*  
X

### Available Finishes:



*Polished Chrome*  
APC



*Polished Nickel*  
PN



*Satin Nickel*  
STN



*Rose Gold*  
RG

See product page for available finishes



APC



PN



STN



RG

FAUCETS



BE51  
page 190



BE354  
page 190



BE106  
page 190

TUB FILLERS



BE26  
page 190



BE420  
page 191



BE24  
page 191

SHOWER TRIMS



BE110  
page 191



BE210N  
page 191



BE720  
page 192



BE390  
page 192

SHOWER PACKAGES

PRESSURE BALANCE

1/2" THERMOSTATIC

3/4" THERMOSTATIC



page 196



page 196



page 197



page 197



page 198




page 198



# COMPLEMENTARY ITEMS

See product page for available finishes.

 Home

 Index



**U.5135**  
page 384



**I00405**  
page 385



**SLM03**  
page 388



**I00131**  
[page 389](#)



**1510/3**  
page 397



**C7135**  
page 398



**1410/16**  
[page 396](#)



**SDPVC2/3-3144**  
page 421



**1340**  
page 409



**1282**  
page 412



**24995**  
page 419



**L0095KIT1**  
[page 403](#)

SHOWER



**BE100**  
page 194



**BE102**  
page 195



**BE400**  
page 195



**BE710**  
page 195

ACCESSORIES



**SB1800**  
Shaws® Price Book



**SB1715**  
Shaws® Price Book



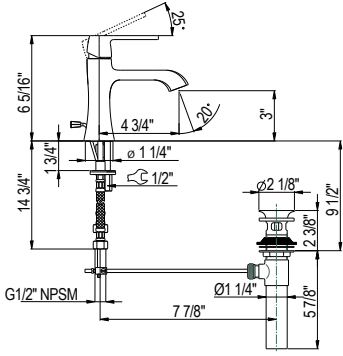
**KALDERA 56**  
Victoria + Albert® Price Book



**AMALFI**  
Victoria + Albert® Price Book

BATH FIXTURES

SAN JULIO  
TENERIFE  
TUARIO  
ACQUI  
ARCANA  
BELLIA  
CAMPO  
ECLISSI  
GRACELINE  
LOMBARDIA  
MEDA  
MISCELO  
PALLADIAN



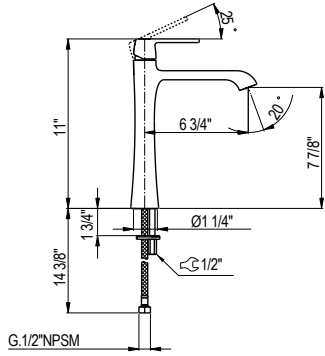
### BE51 Bellia™ Single Handle Lavatory Faucet



**Suggested Retail Price**

Handle	APC	PN	STN	RG
BE51L-__-2	691	829	954	1151

- Lift rod drain assembly included with faucet
- 1.2 GPM at 60 PSI (CEC compliant)



### BE354 Bellia™ Single Handle Tall Lavatory Faucet

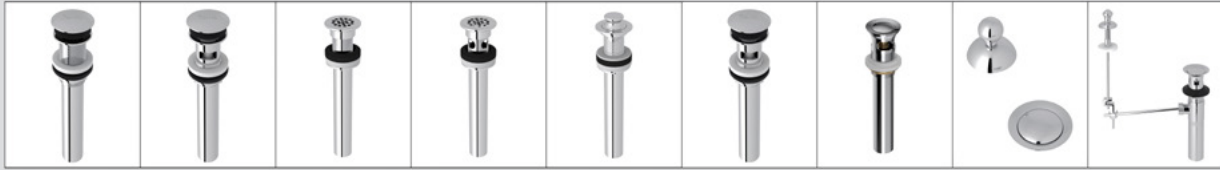


**Suggested Retail Price**

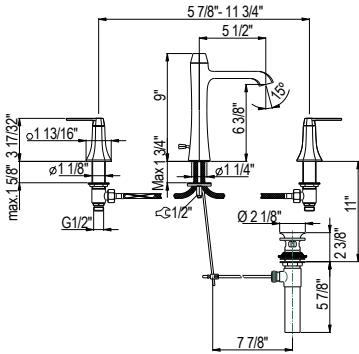
Handle	APC	PN	STN	RG
BE354L-__-2	805	966	1071	1229

- 1.2 GPM at 60 PSI (CEC compliant)
- Drain sold separately. See drain options below and Lavatory Drain tab for pricing

See Lavatory Drains tab for pricing.



5445    5447    6442    7444    8446    CC231OFWO    0127DOF    CNZREMOTE    U.6702



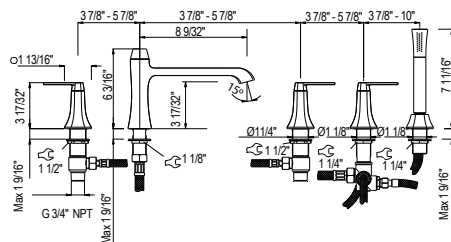
### BE106 Bellia™ Widespread Lavatory Faucet



**Suggested Retail Price**

Handle	APC	PN	STN	RG
BE106L-__-2	1141	1369	1482	1830
BE106X-__-2	1141	1369	1482	1830

- Lift rod drain assembly included with faucet
- Brass construction
- 1.2 GPM at 60 PSI (CEC compliant)



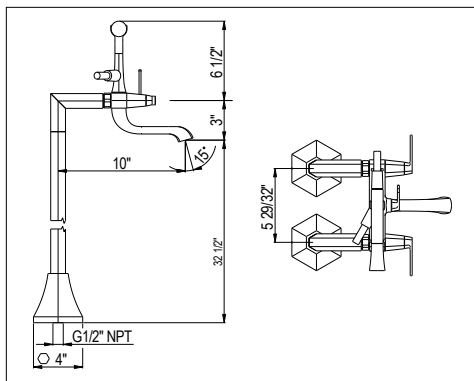
### BE26 Bellia™ 5-Hole Deck Mount Tub Filler



**Suggested Retail Price**

Handle	APC	PN	STN	RG
BE26L-__	2294	2753	2868	3258
BE26X-__	2294	2753	2868	3258

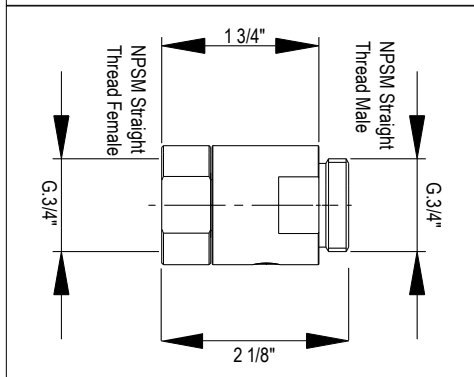
- Single-function anti-calcium handshower at 1.8 GPM at 60 PSI
- 1.6 GPM at 60 PSI (CEC compliant)
- 3/4" female NPT inlet


**BE420** Bellia™ Floor Mount Tub Filler

**Suggested Retail Price**

Handle	APC	PN	STN	RG
BE420L-__	3453	4143	4369	4904
BE420X-__	3453	4143	4369	4904

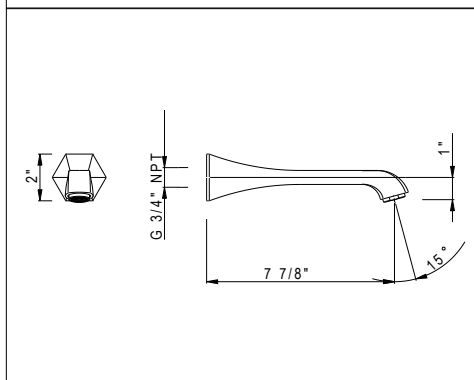
- Single-function anti-calcium handshower at 1.8 GPM at 60 PSI
- Decorative shut-offs available
- 16 GPM at 60 PSI (CEC compliant)
- 1/2" female NPT inlet


**ZA1038402** Floor Pillar Unions With Shut-Off Valves

**Suggested Retail Price**

	APC	STN	PN	RG
ZA10384021-__	205			
ZA1038402A-__		263		
ZA1038402B-__			246	
ZA1038402P-__				292

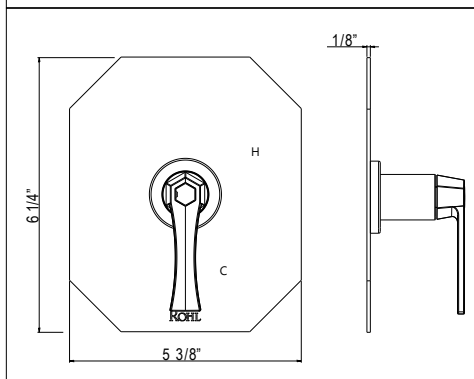
- Fits ZA386 floor pillar legs


**BE24** Bellia™ Wall Mount Tub Spout

**Suggested Retail Price**

Handle	APC	PN	STN	RG
BE24-__	341	409	481	529

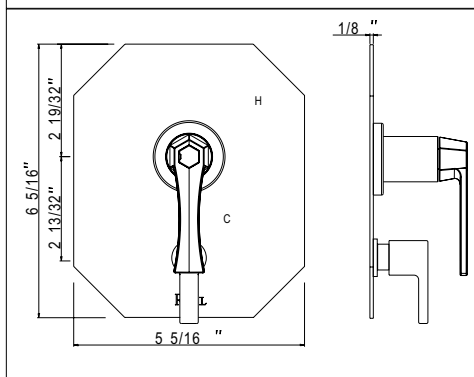
- 6 GPM at 60 PSI
- 3/4" female NPT inlet


**BE110** Bellia™ 1/2" Pressure Balance Trim Without Diverter

**Suggested Retail Price**

Handle	APC	PN	STN	RG
BE110L-__	465	558	586	749
BE110X-__	465	558	586	749

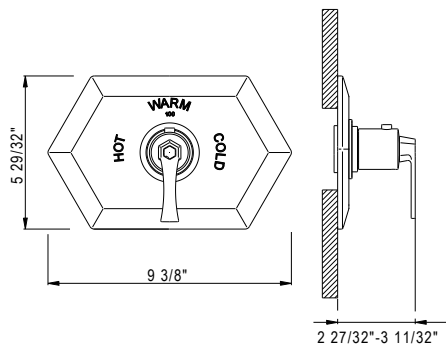
- Temperature control only
- 1 function
- Rough valve sold separately  
— Order RCT-1/2" Pressure balance rough: \$183


**BE210N** Bellia™ 1/2" Pressure Balance Trim With Diverter

**Suggested Retail Price**

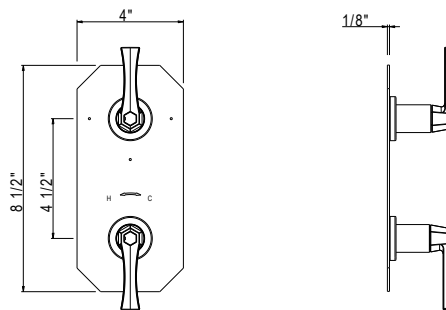
Handle	APC	PN	STN	RG
BE210NL-__	543	651	678	893
BE210NX-__	543	651	678	893

- Temperature control with diverter
- Rough valve sold separately  
— Order RDD-2 1/2" Pressure balance rough: \$294

**BE720** Bellia™ 3/4" Thermostatic Trim Without Volume Control**Suggested Retail Price**

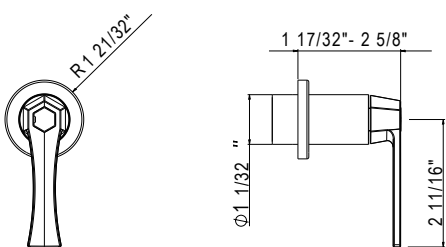
Handle	APC	PN	STN	RG
BE720L-_/TO	451	542	571	764
BE720X-_/TO	451	542	571	764

- Temperature control only
- Rough valve sold separately
  - Order 1005N 3/4" thermostatic rough valve: \$333
- Volume control(s) required

**BE390** Bellia™ 1/2" Thermostatic Trim with Diverter**Suggested Retail Price**

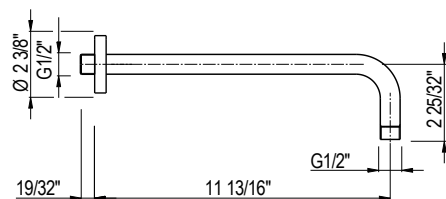
Handle	APC	PN	STN	RG
BE390L-_/TO	741	889	942	1170
BE390X-_/TO	741	889	942	1170

- Temperature control with diverter
- Up to 5 functions
- Rough valve sold separately. Select one:
  - Order R1051BV 1/2" thermostatic 1 function rough valve: \$404
  - Order R1052BD 1/2" thermostatic 2 function rough valve: \$405
  - Order R1053BD 1/2" thermostatic 3 function rough valve: \$472
  - Order R1055BD 1/2" thermostatic 5 function rough valve: \$472

**BE195** Bellia™ Trim For Volume Control And Diverter**Suggested Retail Price**

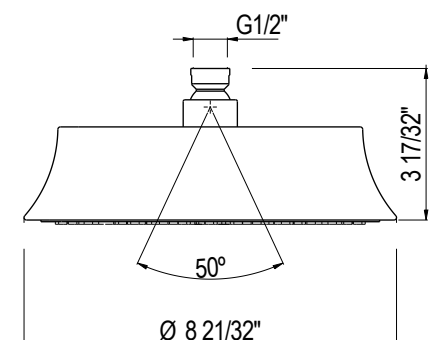
Handle	APC	PN	STN	RG
BE195L-_/TO	286	344	367	432
BE195X-_/TO	286	344	367	432

- Volume control or diverter only
- Rough valve sold separately. Select one:
  - Order R1040R 3/4" volume control rough valve: \$144
  - Order R1062BO 4-port, 3-way dedicated diverter rough valve: \$329

**DSA13750** 12" Reach Wall Mount Shower Arm**Suggested Retail Price**

	APC	PN	STN	RG
DSA13750-_/TO	115	139	159	230

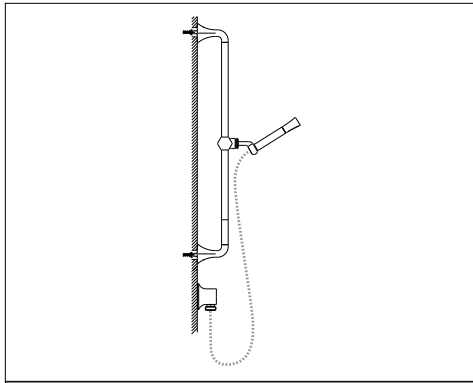
- Complements Bellia™ collection and other transitional designs

**DSA16200** 9" Rain Showerhead**Suggested Retail Price**

	APC	PN	STN	RG
DSA16200-_/TO	569	683	728	882

- Complements Bellia™ collection and other transitional designs
- 1 function
- 1.8 GPM at 60 PSI (CEC compliant)



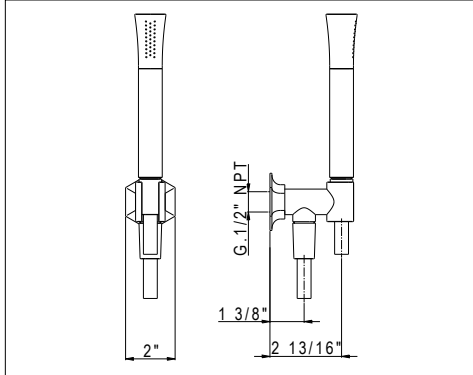


### BEKIT12110 Handshower Set With 25" Slide Bar and Single Function Handshower


**Suggested Retail Price**

	APC	PN	STN	RG
BEKIT12110- _ _ _	865	1038	1095	1333

- Complements Bellia™ collection and other transitional designs
- DS014200 single-function handshower
- 1.8 GPM at 60 PSI (CEC compliant)

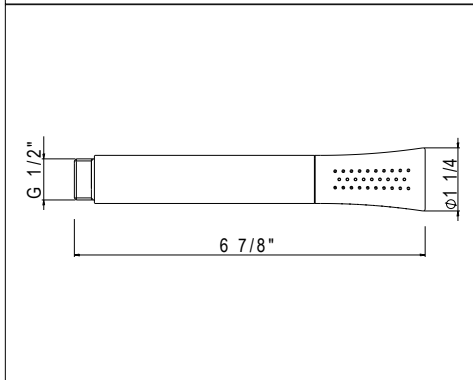


### BE303 Handshower Set With Handshower Holder and Single Function Handshower


**Suggested Retail Price**

	APC	PN	STN	RG
BE303- _ _ _	457	548	578	677

- Complements Bellia™ collection and other transitional designs
- DS014200 single-function handshower
- 1.8 GPM at 60 PSI (CEC compliant)

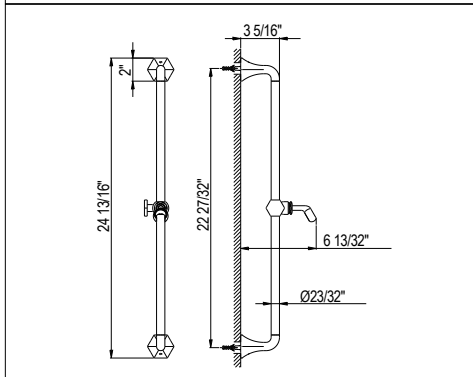


### DS014200 1" Single Function Handshower


**Suggested Retail Price**

	APC	PN	STN	RG
DS014200- _ _ _	155	186	212	225

- Complements Bellia™ collection and other transitional designs
- 1 function
- 1.8 GPM at 60 PSI (CEC compliant)

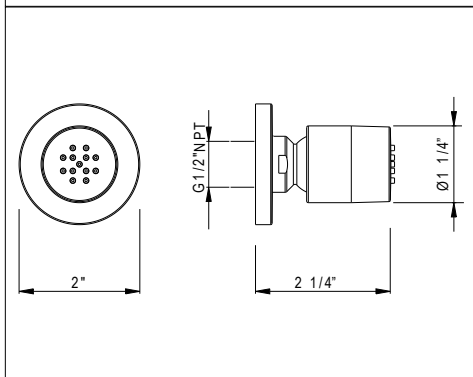


### DSA12210 25" Slide Bar

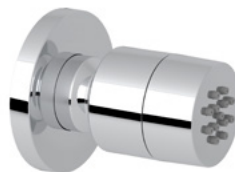

**Suggested Retail Price**

	APC	PN	STN	RG
DSA12210- _ _ _	460	552	591	747

- Length cannot be cut down
- Complements Bellia™ collection and other transitional designs

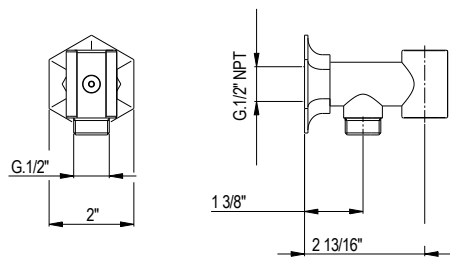


### DS015090 Single Function Body Spray


**Suggested Retail Price**

	APC	PN	STN	RG
DS015090- _ _ _	145	210	254	369

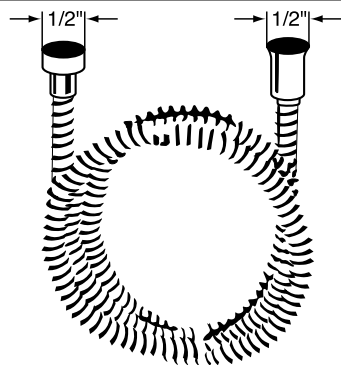
- Complements Bellia™ collection and other transitional designs
- 1 function
- .75 GPM at 45 PSI (CEC compliant)

**BE364 Handshower Outlet With Handshower Holder****Suggested Retail Price**

	APC	PN	STN	RG
BE364-	224	269	280	337



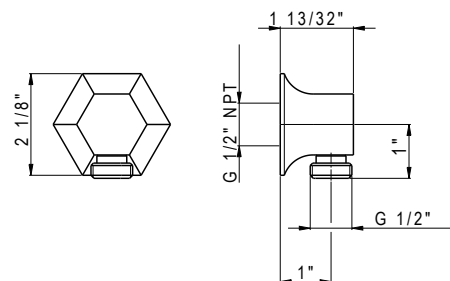
- Complements Bellia™ collection and other transitional designs

**ZA109070 59" Shower Hose****Suggested Retail Price**

	APC	PN	STN	RG
ZA109070-	71	85	98	300



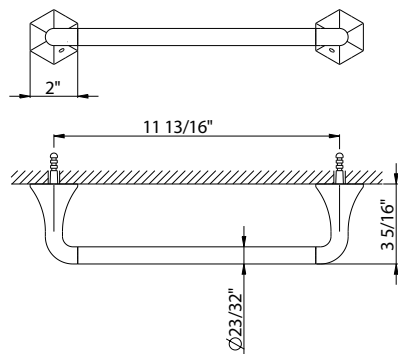
- Complements Bellia™ collection and other transitional designs

**BE170 Shower Outlet****Suggested Retail Price**

	APC	PN	STN	RG
BE170-	172	207	215	246



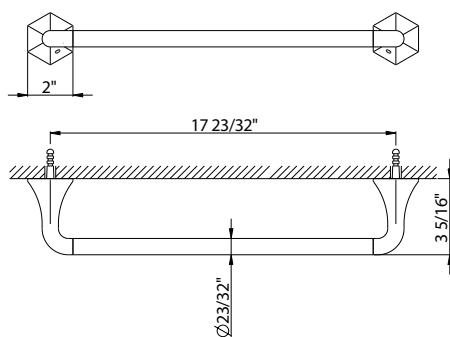
- Complements Bellia™ collection and other transitional designs

**BE100 Bellia™ 12" Towel Bar****Suggested Retail Price**

	APC	PN	STN	RG
BE100-	320	384	423	460



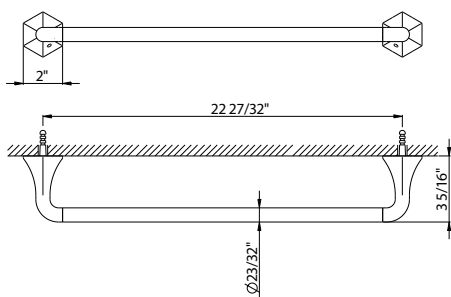
- Length cannot be cut down

**BE101 Bellia™ 18" Towel Bar****Suggested Retail Price**

	APC	PN	STN	RG
BE101-	345	414	450	512



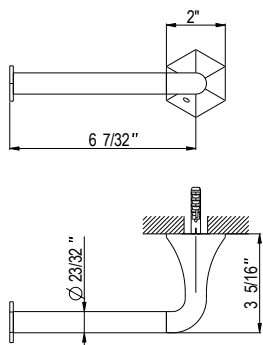
- Length cannot be cut down

**BE102** Bellia™ 24" Towel Bar**Suggested Retail Price**

	APC	PN	STN	RG
BE102- _ _	364	437	474	569



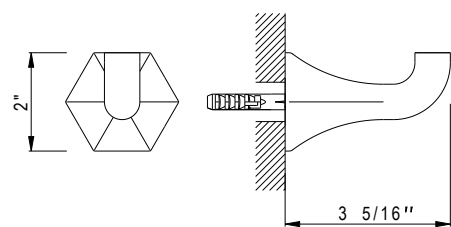
- Length cannot be cut down

**BE400** Bellia™ Toilet Paper Holder**Suggested Retail Price**

	APC	PN	STN	RG
BE400- _ _	231	277	303	342



- There's no need to compromise on design in this essential space
- Accommodates oversized TP rolls

**BE710** Bellia™ Robe/Towel Hook**Suggested Retail Price**

	APC	PN	STN	RG
BE710- _ _	115	137	153	172



- Holds one robe or towel close to your shower or bathing space

**BELLIA™ PRESSURE BALANCE SHOWER OPTION 1**

Suggested Retail Price

Model	Description	Polished Chrome
BE110	Trim	465
DSA16200	Showerhead	569
DSA13750	Shower Arm	115
RCT-1	Rough	183
<b>Total Package List Price With Roughs</b>		<b>1,332</b>

**Note:** Sample configuration priced in Polished Chrome. Other configurations and finishes available. Complete your Shower experience by including one of our decorative drain options.

**BELLIA™ PRESSURE BALANCE SHOWER OPTION 2**

Suggested Retail Price

Model	Description	Polished Chrome
BE210	Trim	543
DSA16200	Showerhead	569
DSA13750	Shower Arm	115
DS014200	Handshower	155
DSA12210	Handshower Bar	460
BE170	Outlet	172
ZA109070	Hose	71
RDD-2	Rough	294
<b>Total Package List Price With Roughs</b>		<b>2,379</b>

**Note:** Sample configuration priced in Polished Chrome. Other configurations and finishes available. Complete your Shower experience by including one of our decorative drain options.





## BELLIA™ 1/2" THERMOSTATIC SHOWER OPTION 1

Model	Description	Suggested Retail Price
		Polished Chrome
BE390	Trim	741
DSA16200	Showerhead	569
DSA13750	Shower Arm	115
DS014200	Handshower	155
DSA12210	Handshower Bar	460
BE170	Outlet	172
ZA109070	Hose	71
<b>Total Package List Price With Roughs</b>		<b>2,755</b>
R1055BD	Rough	472
<b>Total Package List Price With Roughs</b>		<b>2,688</b>

**Note:** Sample configuration priced in Polished Chrome. Other configurations and finishes available. Complete your Shower experience by including one of our decorative drain options.



## BELLIA™ 1/2" THERMOSTATIC SHOWER OPTION 2

Model	Description	Suggested Retail Price
		Polished Chrome
BE390	Trim	741
DSA16200	Showerhead	569
DSA13750	Shower Arm	115
SLM03	Ceiling Showerhead	726
1505/3	Ceiling Shower Arm	111
DS014200	Handshower	155
DSA12210	Handshower Bar	460
BE170	Outlet	172
ZA109070	Hose	71
<b>Total Package List Price With Roughs</b>		<b>3,592</b>
R1055BD	Rough	472
<b>Total Package List Price With Roughs</b>		<b>3,592</b>

**Note:** Sample configuration priced in Polished Chrome. Other configurations and finishes available. Complete your Shower experience by including one of our decorative drain options.



SAN JULIO

TENERIFE

TUARIO

ACQUI

ARCANA

BELLIA

CAMPO

ECLISSI

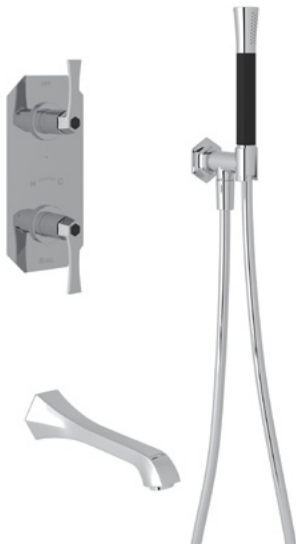
GRACELINE

LOMBARDIA

MEDA

MISCELO

PALLADIAN



**BELLIA™ 1/2" THERMOSTATIC SHOWER OPTION 3**

Suggested Retail Price

Model	Description	Polished Chrome
BE390	Trim	741
DSA16200	Showerhead	569
DSA13750	Shower Arm	115
DS014200	Handshower	155
BE364	Handshower Bracket	224
ZA109070	Hose	71
BE24	Tub Spout	341
<b>Total Package List Price With Roughs</b>		<b>2,688</b>
R1055BD	Rough	472
<b>Total Package List Price With Roughs</b>		<b>2,688</b>

**Note:** Sample configuration priced in Polished Chrome. Other configurations and finishes available. Complete your Shower experience by including one of our decorative drain options.

**BELLIA™ 3/4" THERMOSTATIC SHOWER OPTION 1**

Suggested Retail Price

Model	Description	Polished Chrome
BE720	Trim	451
DSA16200	Showerhead	569
DSA13750	Shower Arm	115
DS014200	Handshower	155
DSA12210	Handshower Bar	460
BE170	Outlet	172
ZA109070	Hose	71
BE195 (x3)	Volume Controls (x3)	858
DS015090 (x2)	Body Sprays (x2)	290
1005N	Rough	333
R1040R (x3)	Volume Control Rough (x3)	432
<b>Total Package List Price With Roughs</b>		<b>3,906</b>

**Note:** Sample configuration priced in Polished Chrome. Other configurations and finishes available. Complete your Shower experience by including one of our decorative drain options.

## CAMPO™

In the Piazza del Campo, the city center of Siena, stands the Fonte Gaia, or Fountain of the World. For hundreds of years, the town's water supply was transported there through 15 miles of tunnels, aqueducts, and conduits. The Campo™ Bath Collection takes the industrial design of this water system into today with clean details and contemporary styling. The distinctive crosshatch knurling on the spout and handles are inspired by valve wheels; they give Campo a minimalist spirit suitable for baths that take a modern or transitional approach.



A3318IWAPC

## Handle Options



*Industrial Metal Wheel*  
IW



*Industrial Metal Lever*  
IL

## Available Finishes:



*Polished Chrome*  
APC



*Polished Nickel*  
PN



*Satin Nickel*  
STN



*Matte Black*  
MB



*Satin Unlacquered Brass*  
SUB



*Tuscan Brass®*  
TCB

See product page for available finishes



APC



PN



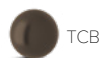
STN



MB



SUB



TCB

FAUCETS



A3318  
page 202



A3307  
page 202



A3702  
page 202

TUB FILLERS



A3314  
page 202



AKIT3302N  
page 203



A3302i  
page 203



A2203IW  
page 203

SHOWER TRIMS



A2210  
page 203



A3210N  
page 204



A4914  
page 204



A4464  
page 204

SHOWER PACKAGES

PRESSURE BALANCE



page 206



page 206

1/2" THERMOSTATIC



page 207



page 207

3/4" THERMOSTATIC



page 208



page 208



IW



IL



# COMPLEMENTARY ITEMS

See product page for available finishes.

 Home

 Index



**U.5135**  
page 384



**SLM02**  
page 386



**I00405**  
page 385



**BI00059**  
page 391



**1505/24**  
page 398



**C7135**  
page 396



**1120**  
page 396



**SDPVC2/3-3146**  
page 421

SHOWER



**L0095KIT1**  
page 403



**AKIT8074IW**  
page 406



**NEW** **0126SBHS1**  
page 409



**C50000/1**  
page 417



**A1486IW**  
page 205



**A1492IW**  
page 205



**A1485IW**  
page 205



**A1484IW**  
page 204

ACCESSORIES



**SB1814**  
Shaws® Price Book



**CORVARA 55**  
Victoria + Albert® Price Book



**CABRITS 55**  
Victoria + Albert® Price Book



**CABRITS**  
Victoria + Albert® Price Book

BATH FIXTURES

SAN JULIO

TENERIFE

TUARIO

ACQUI

ARCANA

BELLIA

CAMPUS

ECLISSI

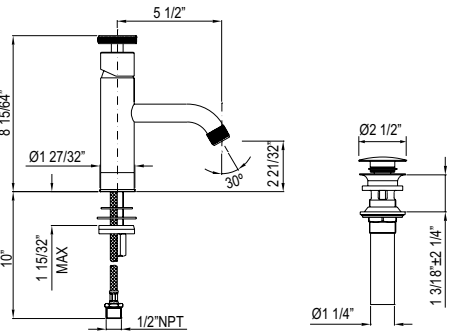
GRACELINE

LOMBARDIA

MEDA

MISCELO

PALLADIAN



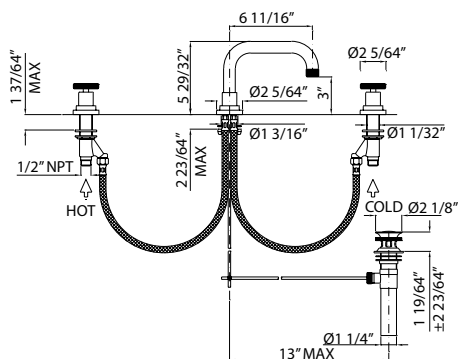
A3702I Campo™ Single Handle Lavatory Faucet



Suggested Retail Price

Handle	APC	PN	STN	MB	SUB	TCB
A3702IL __ -2	633	759	848	848	899	899
A3702IW __ -2	633	759	848	848	899	899

- Lift rod drain assembly included with faucet
- 1.2 GPM at 60 PSI (CEC compliant)



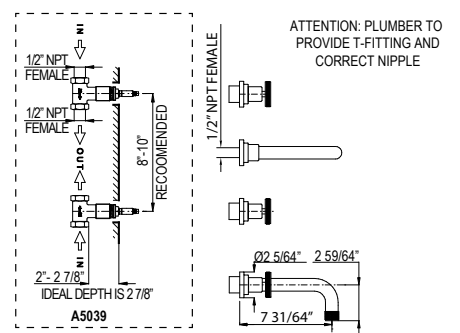
A3318 Campo™ Widespread Lavatory Faucet



Suggested Retail Price

Handle	APC	PN	STN	MB	SUB	TCB
A3318IL __ -2	843	1012	1128	1128	1197	1197
A3318IW __ -2	843	1012	1128	1128	1197	1197

- Lift rod drain assembly included with faucet
- 1.2 GPM at 60 PSI (CEC compliant)
- Matching tub filler A3314IW



A3307 Campo™ Wall Mount Lavatory Faucet



Suggested Retail Price

Handle	APC	PN	STN	MB	SUB	TCB
A3307IL __ TO-2	649	779	1049	1091	1049	1192
A3307IW __ TO-2	649	779	1049	1091	1049	1192

- Order two C5590 51/64" extension pieces to extend both hot and cold valves: \$72
- 1.2 GPM at 60 PSI (CEC compliant)
- Plumber to provide 1/2" male nipple T-fitting for spout installation
- Rough valve sold separately. Select one:- Order A5039L wall rough valve for lever handles: \$191
- Order A5039X wall rough valve for cross handles: \$191
- Drain sold separately. See drain options below and Lavatory Drain tab for pricing

See Lavatory Drains tab for pricing.



5445

5447

6442

7444

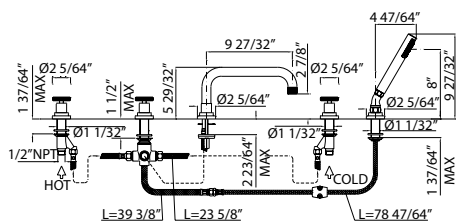
8446

CC231OFWO

0127DOF

CNZREMOTE

U.6702



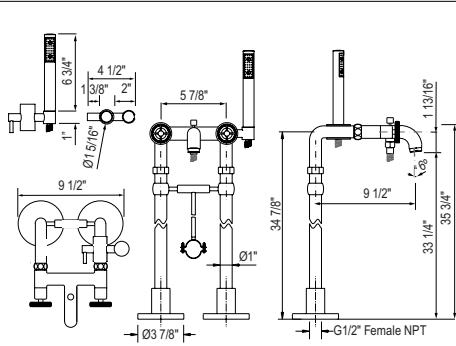
A3314 Campo™ 5-Hole Deck Mount Tub Filler



Suggested Retail Price

Handle	APC	PN	STN	MB	SUB	TCB
A3314IL __	1901	2281	2547	2547	2699	2699
A3314IW __	1901	2281	2547	2547	2699	2699

- Single-function anti-calcium handshower at 1.8 GPM at 60 PSI
- 4 GPM at 60 PSI (CEC compliant)
- 1/2" female NPT inlet
- Matching lavatory faucet A3318IW



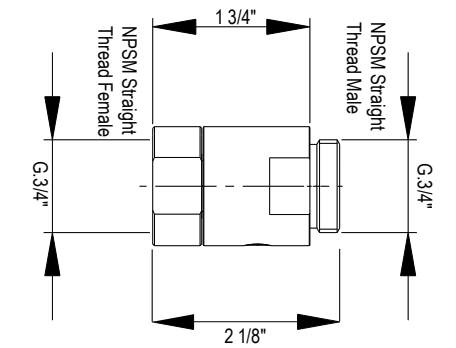
**AKIT3302N Campo™ Floor Mount Tub Filler**



**Suggested Retail Price**

Handle	APC	PN	STN	MB	TCB
AKIT3302NIL	2451	2941	3374	3235	3480
AKIT3302NIW	2451	2941	3374	3235	3572

- Single-function anti-calcium handshower at 1.8 GPM at 60 PSI
- 6 GPM at 60 PSI (CEC compliant)
- 1/2" female NPT inlet
- 2" straight union extensions available, order part # C7205EXT+FINISH for a set of two.



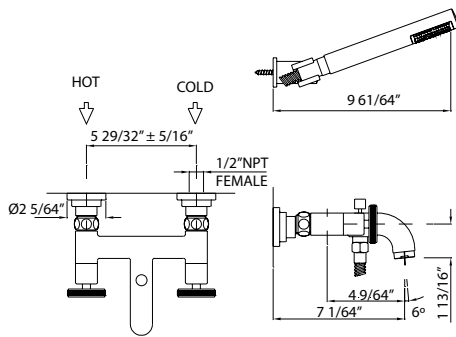
**ZA1038402 Floor Pillar Unions With Shut-Off Valves**



**Suggested Retail Price**

	APC	STN	PN	TCB	IB
ZA10384021-	205				
ZA1038402A-		263			
ZA1038402B-			246		
ZA1038402V-				292	
ZA1038402Z-					292

- Fits ZA386 floor pillar legs



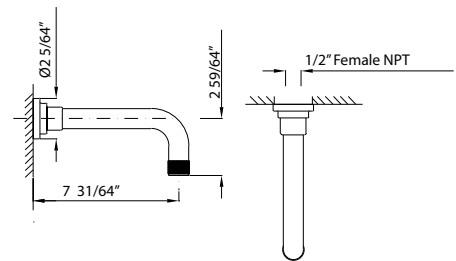
**A3302I Campo™ Exposed Wall Mount Tub Filler**



**Suggested Retail Price**

Handle	APC	PN	STN	MB	TCB
A3302IL	1231	1478	1650	1650	1748
A3302IW	1231	1478	1650	1650	1748

- Single-function anti-calcium handshower at 1.8 GPM at 60 PSI
- Wall mount only. Cannot be installed with iron tub unions or deck unions.
- 6 GPM at 60 PSI (CEC compliant)
- 1/2" female NPT inlet



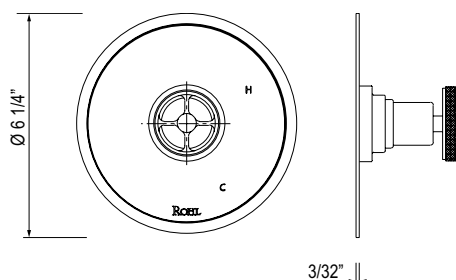
**A2203IW Campo™ Wall Mount Tub Spout**



**Suggested Retail Price**

	APC	PN	STN	MB	SUB	TCB
A2203IW	255	306	341	341	362	362

- 6 GPM at 60 PSI
- 1/2" female NPT inlet



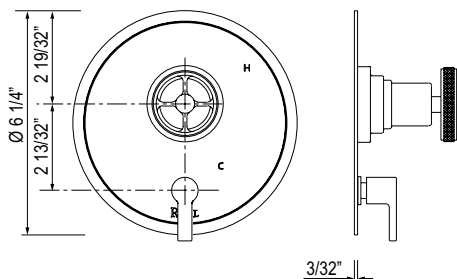
**A2210I Campo™ 1/2" Pressure Balance Trim Without Diverter**



**Suggested Retail Price**

Handle	APC	PN	STN	MB	TCB
A2210IL	370	444	478	481	526
A2210IW	370	444	478	481	526

- Temperature control only
- 1 function
- Rough valve sold separately
- Order RCT-1 1/2" Pressure balance rough: \$183



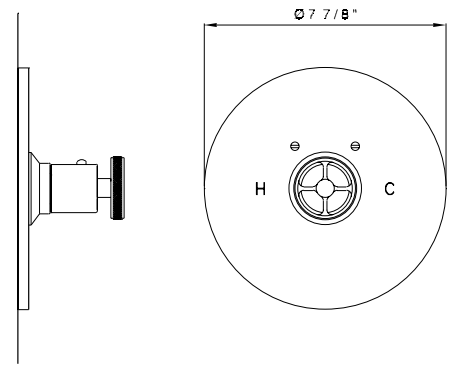
**A3210NI Campo™ 1/2" Pressure Balance Trim With Diverter**



**Suggested Retail Price**

Handle	APC	PN	STN	MB	TCB
A3210NIL __	444	533	559	578	631
A3210NIW __	444	533	559	578	631

- Temperature control with diverter
- 2 function
- Rough valve sold separately
  - Order RDD-2 1/2" Pressure balance rough: \$294



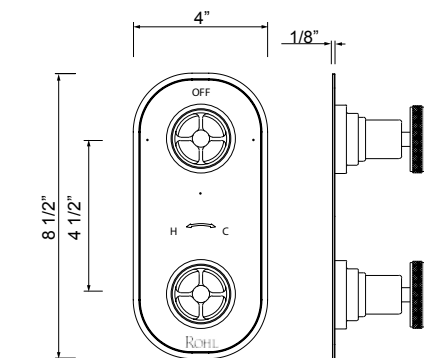
**A4914I Campo™ 3/4" Thermostatic Trim Without Volume Control**



**Suggested Retail Price**

Handle	APC	PN	STN	MB	SUB	TCB
A4914IL __	403	484	535	535	572	572
A4914IW __	403	484	535	535	572	572

- Temperature control only
- Rough valve sold separately
  - Order 1005N 3/4" thermostatic rough valve: \$333
- Volume control(s) required



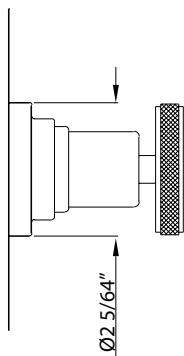
**A4464 Campo™ 1/2" Thermostatic Trim with Diverter**



**Suggested Retail Price**

Handle	APC	PN	STN	MB	SUB	TCB
A4464IL __	610	732	773	793	750	866
A4464IW __	610	732	773	793	866	866

- Temperature control with diverter
- Up to 5 functions
- Rough valve sold separately. Select one:
  - Order R1051BV 1/2" thermostatic 1 function rough valve: \$404
  - Order R1052BD 1/2" thermostatic 2 function rough valve: \$405
  - Order R1053BD 1/2" thermostatic 3 function rough valve: \$472
  - Order R1055BD 1/2" thermostatic 5 function rough valve: \$472



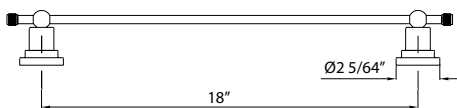
**A4912I Campo™ Trim For Volume Control And Diverter**



**Suggested Retail Price**

Handle	APC	PN	STN	MB	SUB	TCB
A4912IL __ TO	218	261	291	291	309	309
A4912IW __ TO	218	261	291	291	309	309

- Volume control or diverter only
- Rough valve sold separately. Select one:
  - Order R1040R 3/4" volume control rough valve: \$144
  - Order R1062BO 4-port, 3-way dedicated diverter rough valve: \$329



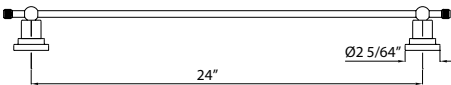
**A1484IW Campo™ 18" Towel Bar**



**Suggested Retail Price**

	APC	PN	STN	MB	SUB	TCB
A1484IW __	325	390	434	434	461	461

- Length cannot be cut down



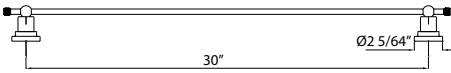
### A1486IW Campo™ 24" Towel Bar

Suggested Retail Price

	APC	PN	STN	MB	SUB	TCB
A1486IW	267	321	357	357	379	379



- Length cannot be cut down



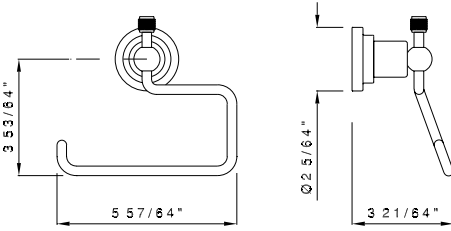
### A1489IW Campo™ 30" Towel Bar

Suggested Retail Price

	APC	PN	STN	MB	TCB
A1489IW	291	349	389	389	413



- Length cannot be cut down



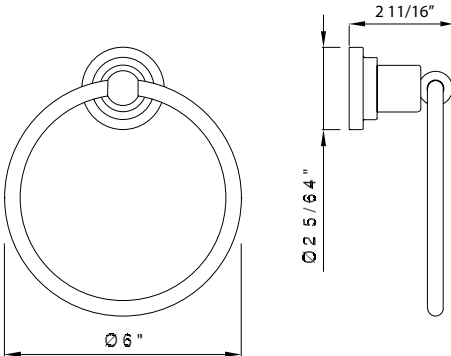
### A1492IW Campo™ Toilet Paper Holder

Suggested Retail Price

	APC	PN	STN	MB	SUB	TCB
A1492IW	265	318	353	353	376	376



- There's no need to compromise on design in this essential space
- Accommodates oversized TP rolls



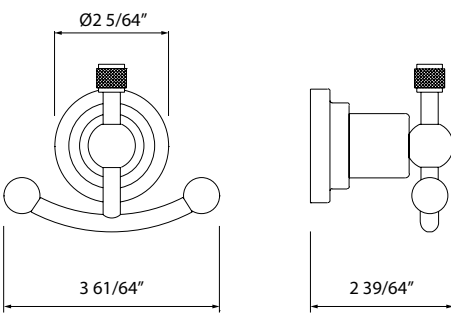
### A1485IW Campo™ Towel Ring

Suggested Retail Price

	APC	PN	STN	MB	SUB	TCB
A1485IW	250	300	334	334	354	354



- Elegantly display bath towels in a coordinated fashion with other accessories



### A1481IW Campo™ Double Robe Hook

Suggested Retail Price

	APC	PN	STN	MB	SUB	TCB
A1481IW	217	260	289	289	308	308



- Optimize space with this double hook for multiple robe/towel storage



## CAMPO™ PRESSURE BALANCE SHOWER OPTION 1

Suggested Retail Price

Model	Description	Polished Chrome
A2210	Trim	370
B00102	Handshower	154
A8074IW	Handshower Bar	616
33640	Outlet	93
16295	Hose	53
RCT-1	Rough	183
<b>Total Package List Price With Roughs</b>		<b>1,469</b>

**Note:** Sample configuration priced in Polished Chrome. Other configurations and finishes available. Complete your Shower experience by including one of our decorative drain options.



## CAMPO™ PRESSURE BALANCE SHOWER OPTION 2

Suggested Retail Price

Model	Description	Polished Chrome
A3210	Trim	444
WI0196	Showerhead	243
1120/12	Shower Arm	73
B00102	Handshower	154
A8074IW	Handshower Bar	616
33640	Outlet	93
16295	Hose	53
RDD-2	Rough	294
<b>Total Package List Price With Roughs</b>		<b>1,970</b>

**Note:** Sample configuration priced in Polished Chrome. Other configurations and finishes available. Complete your Shower experience by including one of our decorative drain options.



### CAMPO™ 1/2" THERMOSTATIC SHOWER OPTION 1

Model	Description	Suggested Retail Price
		Polished Chrome
A4464	Trim	610
WI0196	Showerhead	243
1120/12	Shower Arm	73
B00102	Handshower	154
A8074IW	Handshower Bar	616
33640	Outlet	93
16295	Hose	53
R1055BD	Rough	472
<b>Total Package List Price With Roughs</b>		<b>2,314</b>
R1052BD	Rough (No Share)	405
<b>Total Package List Price With Roughs</b>		<b>2,247</b>

**Note:** Sample configuration priced in Polished Chrome. Other configurations and finishes available. Complete your Shower experience by including one of our decorative drain options.

### CAMPO™ 1/2" THERMOSTATIC SHOWER OPTION 2



Model	Description	Suggested Retail Price
		Polished Chrome
A4464	Trim	610
WI0196	Showerhead	243
1120/12	Shower Arm	73
SLM03	Ceiling Showerhead	726
1505/3	Ceiling Shower Arm	111
B00102	Handshower	154
A8074IW	Handshower Bar	616
33640	Outlet	93
16295	Hose	53
R1055BD	Rough	472
<b>Total Package List Price With Roughs</b>		<b>3,151</b>
R1053BD	Rough (No Share)	472
<b>Total Package List Price With Roughs</b>		<b>3,151</b>

**Note:** Sample configuration priced in Polished Chrome. Other configurations and finishes available. Complete your Shower experience by including one of our decorative drain options.



### CAMPO™ 1/2" THERMOSTATIC SHOWER OPTION 3

Suggested Retail Price

Model	Description	Polished Chrome
A4464	Trim	610
WI0196	Showerhead	243
1120/12	Shower Arm	73
B00102	Handshower	154
CD8000	Handshower Bracket	154
16295	Hose	53
A2203IW	Tub Spout	255
R1055BD	Rough	472
<b>Total Package List Price With Roughs</b>		<b>2,014</b>
R1053BD	Rough (No Share)	472
<b>Total Package List Price With Roughs</b>		<b>2,014</b>

**Note:** Sample configuration priced in Polished Chrome. Other configurations and finishes available. Complete your Shower experience by including one of our decorative drain options.

### CAMPO™ 3/4" THERMOSTATIC SHOWER OPTION 1

Suggested Retail Price

Model	Description	Polished Chrome
A4914	Trim	403
WI0196	Showerhead	243
1120/12	Shower Arm	73
B00102	Handshower	154
A8074IW	Handshower Bar	616
33640	Outlet	93
16295	Hose	53
A4912 (x3)	Volume Controls (x3)	654
I00124 (x2)	Body Sprays (x2)	232
1005N	Rough	333
R1040R (x3)	Volume Control Rough (x3)	432
<b>Total Package List Price With Roughs</b>		<b>3,286</b>

**Note:** Sample configuration priced in Polished Chrome. Other configurations and finishes available. Complete your Shower experience by including one of our decorative drain options.





# ECLISSI™

The Eclissi™ Bath Collection is inspired by the astronomical phenomenon when our two planetary luminaries align. Eclissi, Italian for eclipse, projects a clean, modern beauty. The subtle curve of the neck is accompanied by handles with inner and outer circles emulating the meeting of the sun and moon. Each circle is available in a choice of four finishes, with 16 design possibilities for a bespoke approach to match personal style. A choice of two spout designs adds to the stellar options. Unlike their celestial inspiration, these faucets are never obscured; instead they're designed to shine in whatever space they make their own.

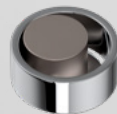


EC09D3IW

Available inner inserts:



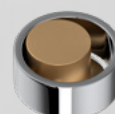
*Polished Chrome*  
APC



*Satin Nickel*  
STN



*Matte Black*  
MB



*Satin Gold*  
SG

Available finishes:



*Polished Chrome*  
APC



*Satin Nickel*  
STN



*Matte Black*  
MB



*Satin Gold*  
SG

*See product page for available finishes*



APC



STN



MB



SG

FAUCETS



EC09D3  
page 214



EC08D3  
page 213



EC01D1  
page 213



EC02D1  
page 213



EC08W3  
page 213



EC09W3  
page 215

TUB FILLERS



EC05D5  
page 215



EC06D5  
page 214



EC16W1  
page 214

SHOWER TRIMS



EC10W1  
page 215



EC11W1  
page 216



EC13W1  
page 216



EC12W2  
page 216

PRESSURE BALANCE

1/2" THERMOSTATIC

3/4" THERMOSTATIC

SHOWER PACKAGES



page 218



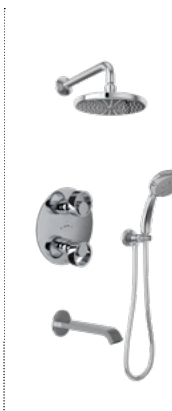
page 218



page 219



page 219



page 220



page 220

# COMPLEMENTARY ITEMS

See product page for available finishes.

 Home

 Index

SAN JULIO

TENERIFE

TUARIO

ACQUI

ARCANA

BELLIA

CAMPO

ECLISE

GRACELINE

LOMBARDIA

MEDA

MISCELO

PALLADIAN



**NEW**

**100126RS1**  
page 317



**I00412**  
page 386



**I00405**  
page 385



**BI00059**  
page 391



**1505/24**  
page 398



**SOF136**  
page 402



**1120**  
page 396



**SDPVC2/3-3146**  
page 421

SHOWER



**L0095KIT1**  
page 403



**1265**  
page 410



**1600**  
page 408



**C50000/1**  
page 417

GRAB BARS



**NEW** **EC25WTB18**  
page 216



**NEW** **EC25WTP**  
page 217



**NEW** **EC25WTH**  
page 217



**NEW** **EC25WRH**  
page 217

ACCESSORIES



**SB1800**  
Shaws® Price Book



**ios 54**  
Victoria + Albert® Price Book



**KALDERA 56**  
Victoria + Albert® Price Book



**ionian**  
Victoria + Albert® Price Book

BATH FIXTURES

# ROHL®

- Four spout and outer handle finishes
- Mix & match handles - four inner accent combinations for each spout finish, totaling sixteen possible finish combinations
- Inner accent finish does not change price

## POLISHED CHROME (APC)

Spout and outer handle



U-spout



C-spout

Inner accent finish options



Polished Chrome  
APC



Satin Nickel  
PCN



Matte Black  
PCB



Satin Gold  
PCG

## SATIN NICKEL (STN)

Spout and outer handle



U-spout



C-spout



Polished Chrome  
SNC



Satin Nickel  
STN



Matte Black  
SNB



Satin Gold  
SNG

## MATTE BLACK (MB)

Spout and outer handle



U-spout



C-spout



Polished Chrome  
MBC



Satin Nickel  
MBN



Matte Black  
MB



Satin Gold  
MBG

## SATIN GOLD (SG)

Spout and outer handle



U-spout

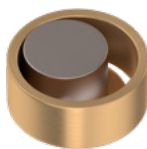


C-spout

Inner accent finish options



Polished Chrome  
SGC



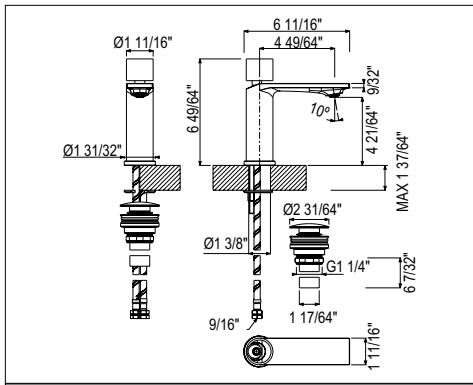
Satin Nickel  
SGN



Matte Black  
SGB



Satin Gold  
SG



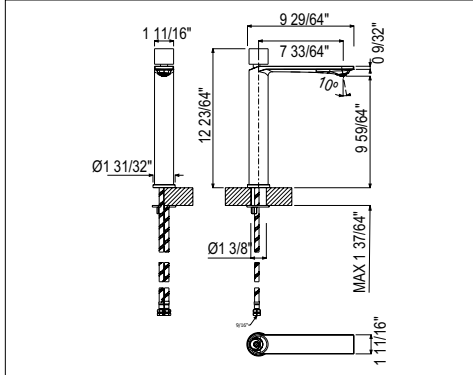
**EC01D1 Eclissi™ Single Handle Lavatory Faucet**



**Suggested Retail Price**

Handle	APC	STN	MB	SG	PCB	PCG	PCN	MBC
EC01D1IW	578	723	751	821	578	578	578	751
Handle	MBG	MBN	SGB	SGC	SGN	SNB	SNC	SNG
EC01D1IW	751	751	821	821	821	723	723	723

- 16 outer and inner handle finishes
- Outer handle finish and body finish are always the same
- 1.2 GPM at 60 PSI (CEC compliant)
- Matching Tub Fillers EC05D5IW and EC06D5IW
- Push drain included with faucet



**EC02D1 Eclissi™ Single Handle Tall Lavatory Faucet**

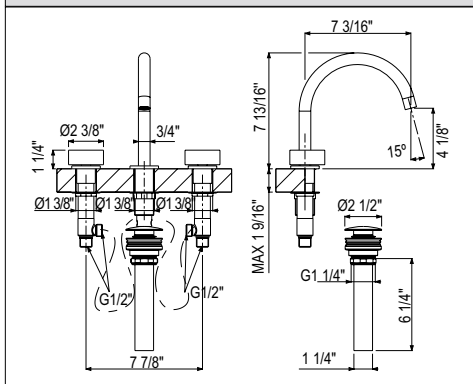


**Suggested Retail Price**

Handle	APC	STN	MB	SG	PCB	PCG	PCN	MBC
EC02D1IW	778	848	882	963	778	778	778	882
Handle	MBG	MBN	SGB	SGC	SGN	SNB	SNC	SNG
EC02D1IW	882	882	963	963	963	848	848	848

- 16 outer and inner handle finishes
- Outer handle finish and body finish are always the same
- 1.2 GPM at 60 PSI (CEC compliant)
- Matching Tub Fillers EC05D5IW and EC06D5IW
- Drain sold separately. See drain options below and Lavatory Drain tab for pricing

See Lavatory Drains tab for pricing.



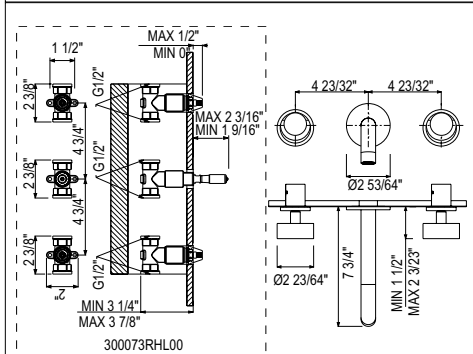
**EC08D3 Eclissi™ Widespread Lavatory Faucet With C-Spout**



**Suggested Retail Price**

Handle	APC	STN	MB	SG	PCB	PCG	PCN	MBC
EC08D3IW	678	848	881	963	678	678	678	881
Handle	MBG	MBN	SGB	SGC	SGN	SNB	SNC	SNG
EC08D3IW	881	881	963	963	963	848	848	848

- 16 outer and inner handle finishes
- Outer handle finish and body finish are always the same
- 1.2 GPM at 60 PSI (CEC compliant)
- Push drain included with faucet
- Matching Tub Filler EC06D5IW



**EC08W3 Eclissi™ Wall Mount Lavatory Faucet With C-Spout**



**Suggested Retail Price**

Handle	APC	STN	MB	SG	PCB	PCG	PCN	MBC
EC08W3IW	578	723	751	821	578	578	578	751
Handle	MBG	MBN	SGB	SGC	SGN	SNB	SNC	SNG
EC08W3IW	751	751	821	821	821	723	723	723

- 16 outer and inner handle finishes
- Outer handle finish and body finish are always the same
- Drain sold separately. See drain options below and Lavatory Drain tab for pricing
- 1.2 GPM at 60 PSI (CEC compliant)
- Rough valve sold separately
- Order 300073RHL00 lever wall rough valve: \$220

See Lavatory Drains tab for pricing.



5445

5447

6442

7444

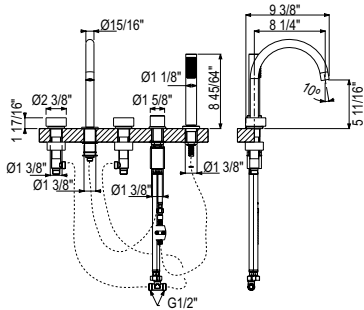
8446

CC231OFWO

0127DOF

CNZREMOTE

U.6702



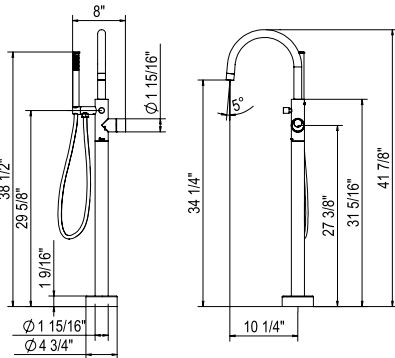
**EC06D5 Eclissi™ 5-Hole Deck Mount Tub Filler With C-Spout**



**Suggested Retail Price**

Handle	APC	STN	MB	SG	PCB	PCG	PCN	MBC
EC06D5IW __	1298	1623	1687	1843	1298	1298	1298	1687
Handle	MBG	MBN	SGB	SGC	SGN	SNB	SNC	SNG
EC06D5IW __	1687	1687	1843	1843	1843	1623	1623	1623

- 16 outer and inner handle finishes
- Outer handle finish and body finish are always the same
- Single-function anti-calcium handshower at 1.75 GPM at 60 PSI
- 4 GPM at 60 PSI (CEC compliant)
- 1/2" female NPT inlet
- Matching lavatory faucet EC08D3IW



**TEC06F1 Eclissi™ Single Hole Floor Mount Tub Filler Trim with C-Spout**

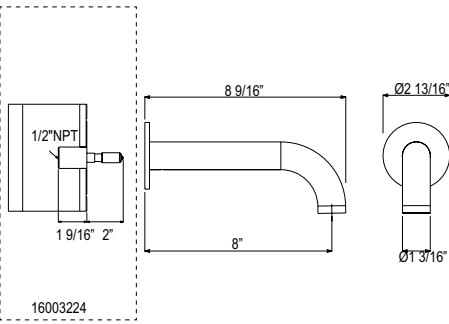


**Suggested Retail Price**

	APC	STN	MB	SG	PCB	PCG	PCN	MBC
TEC06F1IW __	2298	2873	2988	3264	2298	2298	2298	2988
	MBG	MBN	SGB	SGC	SGN	SNB	SNC	SNG
TEC06F1IW __	2988	2988	3264	3264	3264	2873	2873	2873

- Available: Spring 2021
- Single-function anti-calcium handshower at 1.8 GPM at 60 PSI
- 5 GPM at 60 PSI (CEC compliant)
- 1/2" female NPT inlet
- Rough valve sold separately
- Order R922390000 floor rough valve: \$608
- Remote thermostatic valve may be needed; verify local code requirements

NEW



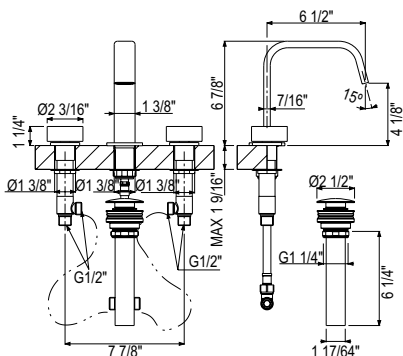
**EC16W1 Eclissi™ Wall Mount Tub Spout with C-Spout**



**Suggested Retail Price**

	APC	STN	MB	SG
EC16W1 __	218	273	283	310

- 6 GPM at 60 PSI
- 1/2" female NPT inlet
- Rough valve sold separately
- Order 16003224 tub spout rough valve: \$98



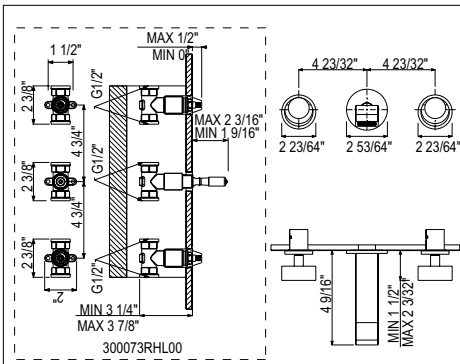
**EC09D3 Eclissi™ Widespread Lavatory Faucet With U-Spout**



**Suggested Retail Price**

Handle	APC	STN	MB	SG	PCB	PCG	PCN	MBC
EC09D3IW __	778	973	1011	1105	778	778	778	1011
Handle	MBG	MBN	SGB	SGC	SGN	SNB	SNC	SNG
EC09D3IW __	1011	1011	1105	1105	1105	973	973	973

- 16 outer and inner handle finishes
- Outer handle finish and body finish are always the same
- 1.2 GPM at 60 PSI (CEC compliant)
- Push drain included with faucet
- Matching Tub Filler EC05D5IW



### EC09W3 Eclissi™ Wall Mount Lavatory Faucet With U-Spout

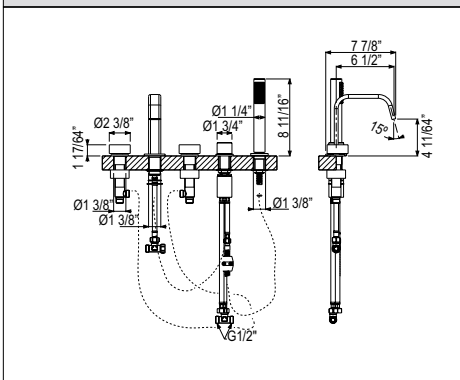
**Suggested Retail Price**

Handle	APC	STN	MB	SG	PCB	PCG	PCN	MCB
EC09W3IW	678	848	881	963	678	678	678	881
Handle	MBG	MBN	SGB	SGC	SGN	SNB	SNC	SNG
EC09W3IW	881	881	963	963	963	848	848	848



- 16 outer and inner handle finishes
- Outer handle finish and body finish are always the same
- Drain sold separately. See drain options below and Lavatory Drain tab for pricing
- 1.2 GPM at 60 PSI (CEC compliant)
- Rough valve sold separately  
— Order 300073RHL00 lever wall rough valve: \$220

See Lavatory Drains tab for pricing.



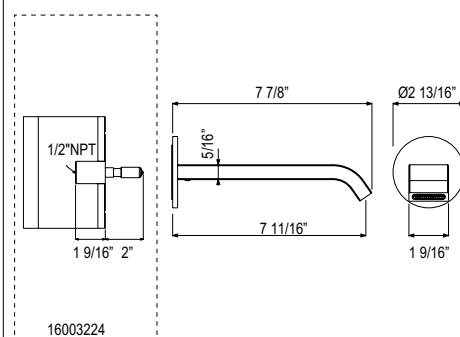
### EC05D5 Eclissi™ 5-Hole Deck Mount Tub Filler With U-Spout

**Suggested Retail Price**

Handle	APC	STN	MB	SG	PCB	PCG	PCN	MCB
EC05D5IW	1398	1748	1817	1985	1398	1398	1398	1817
Handle	MBG	MBN	SGB	SGC	SGN	SNB	SNC	SNG
EC05D5IW	1817	1817	1985	1985	1985	1748	1748	1748



- 16 outer and inner handle finishes
- Outer handle finish and body finish are always the same
- Single-function anti-calcium handshower at 1.75 GPM at 60 PSI
- 4 GPM at 60 PSI (CEC compliant)
- 1/2" female NPT inlet
- Matching lavatory faucet EC09D3IW



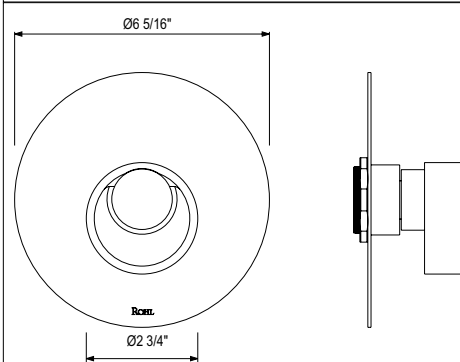
### EC17W1 Eclissi™ Wall Mount Tub Spout with U-Spout

**Suggested Retail Price**

	APC	STN	MB	SG
EC17W1	318	398	413	452



- 6 GPM at 60 PSI
- 1/2" female NPT inlet
- Rough valve sold separately  
— Order 16003224 tub spout rough valve: \$98



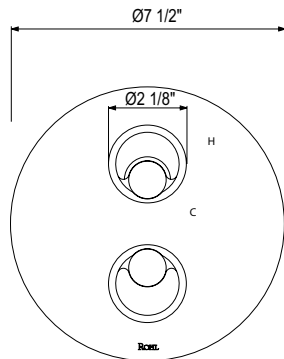
### EC10W1 Eclissi™ 1/2" Pressure Balance Trim without Diverter

**Suggested Retail Price**

Handle	APC	STN	MB	SG	PCB	PCG	PCN	MCB
EC10W1IW	398	498	517	565	398	398	398	517
Handle	MBG	MBN	SGB	SGC	SGN	SNB	SNC	SNG
EC10W1IW	517	517	565	565	565	498	498	498



- 16 outer and inner handle finishes
- Outer handle finish and body finish are always the same
- Outer handle finish and spout finish are always the same
- Temperature control only
- 1 function
- Rough valve sold separately  
— Order RCT-1 1/2" Pressure balance rough: \$183



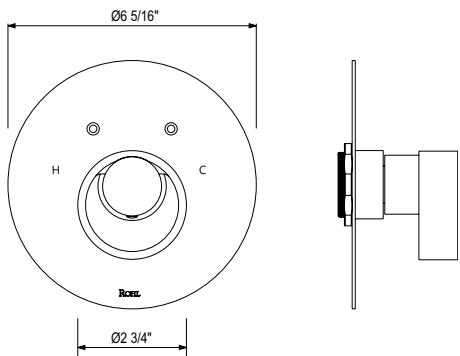
**EC11W1 Eclissi™ 1/2" Pressure Balance Trim with Diverter**



**Suggested Retail Price**

Handle	APC	STN	MB	SG	PCB	PCG	PCN	MBC
EC11W1IW __	498	623	647	707	498	498	498	647
Handle	MBG	MBN	SGB	SGC	SGN	SNB	SNC	SNG
EC11W1IW __	647	647	707	707	707	623	623	623

- 16 outer and inner handle finishes
- Outer handle finish and body finish are always the same
- Outer handle finish and spout finish are always the same
- Temperature control with diverter
- 2 function
- Rough valve sold separately  
— Order RDD-2 1/2" Pressure balance rough: \$294



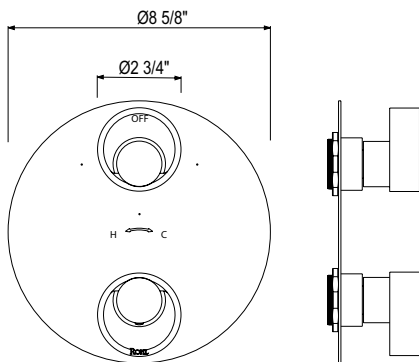
**EC13W1 Eclissi™ 3/4" Thermostatic Trim without Volume Control**



**Suggested Retail Price**

Handle	APC	STN	MB	SG	PCB	PCG	PCN	MBC
EC13W1IW __	548	685	712	778	548	548	548	712
Handle	MBG	MBN	SGB	SGC	SGN	SNB	SNC	SNG
EC13W1IW __	712	712	778	778	778	685	685	685

- 16 outer and inner handle finishes
- Outer handle finish and body finish are always the same
- Outer handle finish and spout finish are always the same
- Temperature control only
- Rough valve sold separately  
— Order 1005N 3/4" thermostatic rough valve: \$333
- Volume control(s) required



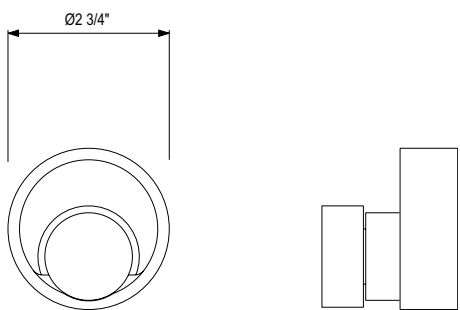
**EC12W2 Eclissi™ 1/2" Thermostatic Trim with Diverter**



**Suggested Retail Price**

Handle	APC	STN	MB	SG	PCB	PCG	PCN	MBC
EC12W2IW __	578	723	751	821	578	578	578	751
Handle	MBG	MBN	SGB	SGC	SGN	SNB	SNC	SNG
EC12W2IW __	751	751	821	821	821	723	723	723

- Temperature control with diverter
- Up to 5 functions
- Rough valve sold separately. Select one:
  - Order R1051BV 1/2" thermostatic 1 function rough valve: \$404
  - Order R1052BD 1/2" thermostatic 2 function rough valve: \$405
  - Order R1053BD 1/2" thermostatic 3 function rough valve: \$472
  - Order R1055BD 1/2" thermostatic 5 function rough valve: \$472



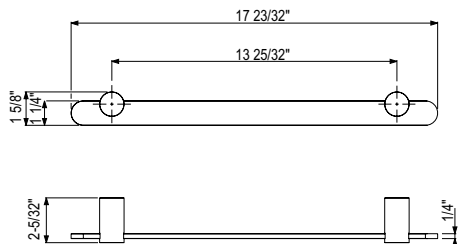
**EC18W2 Eclissi™ Trim For Volume Control And Diverter**



**Suggested Retail Price**

Handle	APC	STN	MB	SG	PCB	PCG	PCN	MBC
EC18W2IW __	240	300	312	341	240	240	240	312
Handle	MBG	MBN	SGB	SGC	SGN	SNB	SNC	SNG
EC18W2IW __	312	312	341	341	341	300	300	300

- 16 outer and inner handle finishes
- Outer handle finish and body finish are always the same
- Outer handle finish and spout finish are always the same
- Volume control or diverter only
- Rough valve sold separately. Select one:
  - Order R1040R 3/4" volume control rough valve: \$144
  - Order R1062BO 4-port, 3-way dedicated diverter rough valve: \$329



**EC25WTB18 Eclissi™ 18" Towel Bar**



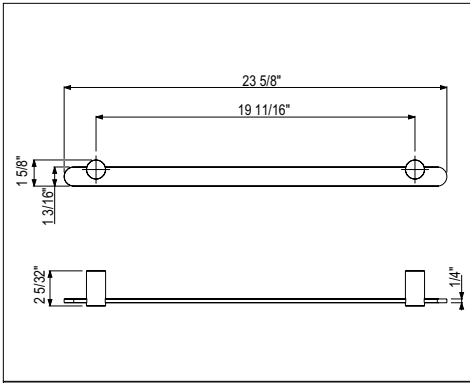
**Suggested Retail Price**

	APC	STN	MB	SG
EC25WTB18 __	178	223	232	253

- Length cannot be cut down







**EC25WTB24 Eclissi™ 24" Towel Bar**

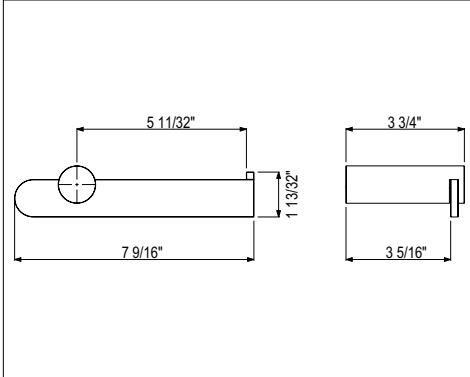
**Suggested Retail Price**

	APC	STN	MB	SG
EC25WTB24	198	248	258	282



- Length cannot be cut down

NEW



**EC25WTP Eclissi™ Toilet Paper Holder**

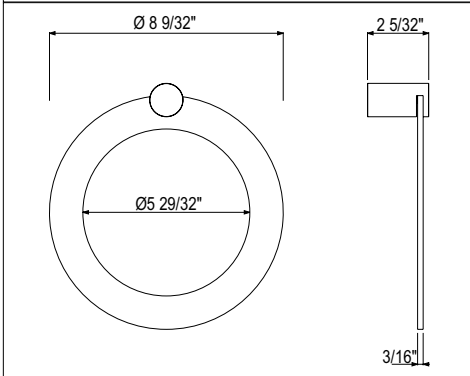
**Suggested Retail Price**

	APC	STN	MB	SG
EC25WTP	138	173	180	196



- There's no need to compromise on design in this essential space
- Accommodates oversized TP rolls

NEW



**EC25WTH Eclissi™ Towel Holder**

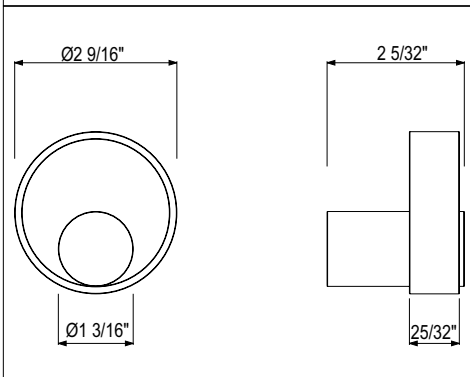
**Suggested Retail Price**

	APC	STN	MB	SG
EC25WTH	158	198	206	225



- Elegantly display bath towels in a coordinated fashion with other accessories

NEW



**EC25WRH Eclissi™ Robe Hook**

**Suggested Retail Price**

	APC	STN	MB	SG
EC25WRH	98	123	128	140



- Holds one robe or towel close to your shower or bathing space

NEW



### ECLISSI™ PRESSURE BALANCE SHOWER OPTION 1

Suggested Retail Price

Model	Description	Polished Chrome
EC10W1IW	Trim	398
B00102	Handshower	154
1650	Handshower Bar	341
33640	Outlet	93
16295	Hose	53
RCT-1	Rough	183
<b>Total Package List Price With Roughs</b>		<b>1,222</b>

**Note:** Sample configuration priced in Polished Chrome. Other configurations and finishes available. Complete your Shower experience by including one of our decorative drain options.



### ECLISSI™ PRESSURE BALANCE SHOWER OPTION 2

Suggested Retail Price

Model	Description	Polished Chrome
EC11W1IW	Trim	498
WI0196	Showerhead	243
1120/12	Shower Arm	73
B00102	Handshower	154
1650	Handshower Bar	341
33640	Outlet	93
16295	Hose	53
RDD-2	Rough	294
<b>Total Package List Price With Roughs</b>		<b>1,749</b>

**Note:** Sample configuration priced in Polished Chrome. Other configurations and finishes available. Complete your Shower experience by including one of our decorative drain options.



## ECLISSI™ 1/2" THERMOSTATIC SHOWER OPTION 1

		Suggested Retail Price
Model	Description	Polished Chrome
EC12W2IW	Trim	578
I00405	Showerhead	432
1120/12	Shower Arm	73
B00102	Handshower	154
1650	Handshower Bar	341
33640	Outlet	93
16295	Hose	53
R1055BD	Rough	472
<b>Total Package List Price With Roughs</b>		<b>2,196</b>
R1052BD	Rough (No Share)	405
<b>Total Package List Price With Roughs</b>		<b>2,129</b>

**Note:** Sample configuration priced in Polished Chrome. Other configurations and finishes available. Complete your Shower experience by including one of our decorative drain options.



## ECLISSI™ 1/2" THERMOSTATIC SHOWER OPTION 2

		Suggested Retail Price
Model	Description	Polished Chrome
EC12W2IW	Trim	578
I00405	Showerhead	432
1120/12	Shower Arm	73
SLM03	Ceiling Showerhead	726
1505/3	Ceiling Shower Arm	111
B00102	Handshower	154
1650	Handshower Bar	341
33640	Outlet	93
16295	Hose	53
R1055BD	Rough	472
<b>Total Package List Price With Roughs</b>		<b>3,033</b>
R1053BD	Rough (No Share)	472
<b>Total Package List Price With Roughs</b>		<b>3,033</b>

**Note:** Sample configuration priced in Polished Chrome. Other configurations and finishes available. Complete your Shower experience by including one of our decorative drain options.



### ECLISSI™ 1/2" THERMOSTATIC SHOWER OPTION 3

Suggested Retail Price

Model	Description	Polished Chrome
EC12W2IW	Trim	578
I00405	Showerhead	432
1120/12	Shower Arm	73
B00102	Handshower	154
CD8000	Handshower Bracket	154
16295	Hose	53
EC16W1	Tub Spout	218
R1055BD	Rough	472
<b>Total Package List Price With Roughs</b>		<b>2,134</b>
R1053BD	Rough (No Share)	472
<b>Total Package List Price With Roughs</b>		<b>2,134</b>

**Note:** Sample configuration priced in Polished Chrome. Other configurations and finishes available. Complete your Shower experience by including one of our decorative drain options.

### ECLISSI™ 3/4" THERMOSTATIC SHOWER OPTION 1

Suggested Retail Price

Model	Description	Polished Chrome
EC13W1IW	Trim	548
I00405	Showerhead	432
1120/12	Shower Arm	73
B00102	Handshower	154
1650	Handshower Bar	341
33640	Outlet	93
16295	Hose	53
EC17W1(x3)	Volume Controls (x3)	954
I00124 (x2)	Body Sprays (x2)	232
1005N	Rough	333
R1040R (x3)	Volume Control Rough (x3)	432
<b>Total Package List Price With Roughs</b>		<b>3,645</b>

**Note:** Sample configuration priced in Polished Chrome. Other configurations and finishes available. Complete your Shower experience by including one of our decorative drain options.

# GRACELINE®

The Graceline® Collection takes its cue from the streamline age of the 1930s, when travel was glamorous and trains and ocean liners were created with luxury in mind. Renowned designer Michael Berman's original Collection for ROHL® captures the sleek aerodynamic lines and cylindrical forms of the time. Fine details like nautical elements on handles, the rounded angle of the neck, and a knurling crosshatch design on the spout add authenticity. Graceline is industrial design with sophistication, bringing American Moderne elegance into contemporary and transitional-style bathrooms.



MB2019LMFB

### Handle Options



*Metal Lever*  
LM



*Dial Metal Handle*  
DM

### Available Finishes:



*Polished Chrome*  
APC



*Polished Nickel*  
PN



*Satin Nickel*  
STN



*Matte Black*  
MB



*French Brass*  
FB



*Gun Metal*  
GM



*Satin Gold*  
SG

See product page for available finishes



FAUCETS



MB2019  
page 224



MB2009  
page 224



MB2030  
page 224

TUB FILLERS



**NEW** MB06D4  
page 225



**NEW** TMB06F1  
page 225



MB2037  
page 224



MB2045  
page 225

SHOWER TRIMS



MB2043  
page 225



MB2044N  
page 217



MB2040N  
page 226



MB2090  
page 226

SHOWER PACKAGES

PRESSURE BALANCE



page 230



page 230

1/2" THERMOSTATIC



page 231



page 231



page 232

3/4" THERMOSTATIC



page 232



# COMPLEMENTARY ITEMS

See product page for available finishes.

Home

Index



**I00405**  
page 385



**MB0190**  
page 227



**1075/8**  
page 385



**NEW 100126RS1**  
page 317



**MB3551**  
page 228



**1120**  
page 396



**SOF136**  
page 402



**SDPVC2/3-3142**  
page 421



**D19000/3**  
page 409



**1266**  
page 411



**C50000/1**  
page 417



**L0095KIT1**  
page 403



**MBG1/24**  
page 228



**MBG8**  
page 228



**MBG4**  
page 229



**MBG7**  
page 229



**SB2015**  
Shaws® Price Book



**CORVARA 55**  
Victoria + Albert® Price Book



**AMALFI 55**  
Victoria + Albert® Price Book



**TOULOUSE**  
Victoria + Albert® Price Book

SHOWER

ACCESSORIES

BATH FIXTURES

SAN JULIO

TENERIFE

TUARIO

ACQUI

ARCANA

BELLIA

CAMPO

ECLISSI

GRACELINE

LOMBARDIA

MEDA

MISCELO

PALLADIAN



SAN JULIO

TENERIFE

TUARIO

ACQUI

ARCANA

BELLIA

CAMPO

ECLISSI

GRACELINE

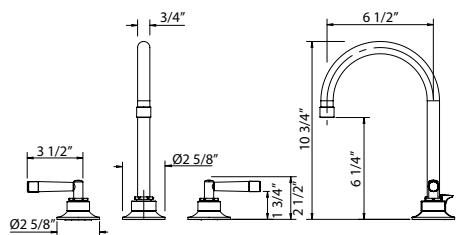
LOMBARDIA

MEDA

MISCELO

PALLADIAN

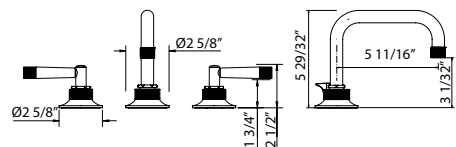
### MB2019 Graceline® Widespread Lavatory Faucet With C-Spout



Handle	Suggested Retail Price						
	APC	PN	STN	MB	FB	GM	SG
MB2019DM __-2	878	1054	1097	1142	1247	1247	1827
MB2019LM __-2	828	993	1055	1077	1176	1176	1713

- Lift rod drain assembly included with faucet
- 1.2 GPM at 60 PSI (CEC compliant)
- Matching tub filler TMB06F1

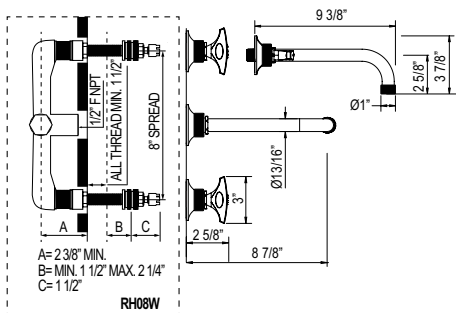
### MB2009 Graceline® Widespread Lavatory Faucet With U-Spout



Handle	Suggested Retail Price						
	APC	PN	STN	MB	FB	GM	SG
MB2009DM __-2	914	1097	1143	1188	1298	1298	1827
MB2009LM __-2	828	993	1035	1077	1176	1176	1713

- Lift rod drain assembly included with faucet
- 1.2 GPM at 60 PSI (CEC compliant)
- Matching tub filler TMB06F1

### MB2030 Graceline® Wall Mount Lavatory Faucet



Handle	Suggested Retail Price						
	APC	PN	STN	MB	FB	GM	SG
MB2030DM __ TO-2	626	751	782	813	888	888	1428
MB2030LM __ TO-2	559	670	698	726	793	793	1428

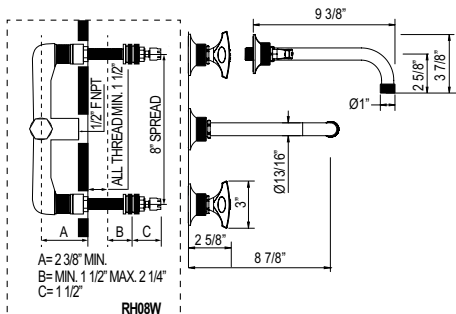
- Drain sold separately. See drain options below and Lavatory Drain tab for pricing
- 1.2 GPM at 60 PSI (CEC compliant)
- Rough valve sold separately  
— Order RH08W wall rough valve: \$298
- Matching tub filler MB2037LM

See Lavatory Drains tab for pricing.



5445    5447    6442    7444    8446    CC231OFWO    0127DOF    CNZREMOTE    U.6702

### MB2037 Graceline® Wall Mount Tub Filler



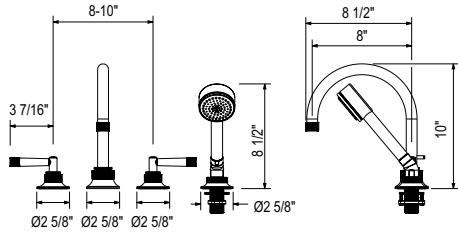
Handle	Suggested Retail Price						
	APC	PN	STN	MB	FB	GM	SG
MB2037DM __ TO	626	751	782	813	888	888	1428
MB2037LM __ TO	567	680	709	737	805	805	1547

- 12 GPM at 60 PSI
- 1/2" female NPT inlet
- Rough valve sold separately  
— Order RH08W wall rough valve: \$298
- Matching lavatory faucet MB2030DM





### MB06D4 Graceline® 4-Hole Deck Mount Tub Filler



NEW

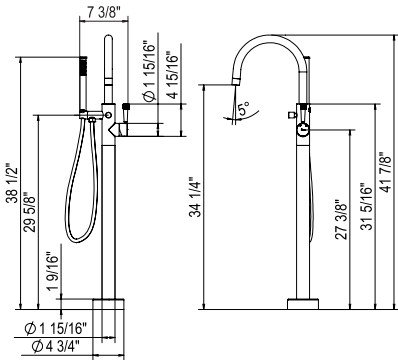


#### Suggested Retail Price

	APC	PN	STN	MB	FB	GM	SG
MB06D4LM __	2198	2638	2748	2857	3121	3121	3121

- Single-function anti-calcium handshower at 1.8 GPM at 60 PSI
- 12 GPM at 60 PSI (CEC compliant)
- 3/4" female NPT inlet
- Matching lavatory faucet MB2019

### TMB06F1 Graceline® Single Hole Floor Mount Tub Filler Trim



NEW

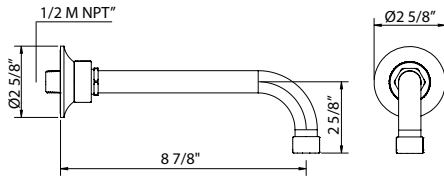


#### Suggested Retail Price

Handle	APC	PN	STN	MB	FB	GM	SG
TMB06F1LM __	2999	3599	3749	3889	4259	4259	4259

- Single-function anti-calcium handshower at 1.8 GPM at 60 PSI
- 6 GPM at 60 PSI (CEC compliant)
- 1/2" female NPT inlet
- Rough valve sold separately  
— Order R922390000 floor rough valve: \$608
- Remote thermostatic valve may be needed; verify local code requirements

### MB2045 Graceline® Wall Mount Tub Spout

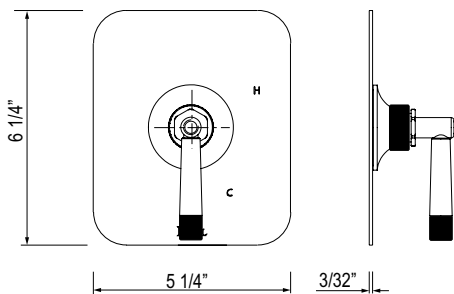


#### Suggested Retail Price

	APC	PN	STN	MB	FB	GM	SG
MB2045 __	239	287	299	312	340	340	596

- 12 GPM at 60 PSI
- 1/2" male NPT inlet

### MB2043 Graceline® 1/2" Pressure Balance Trim Without Diverter

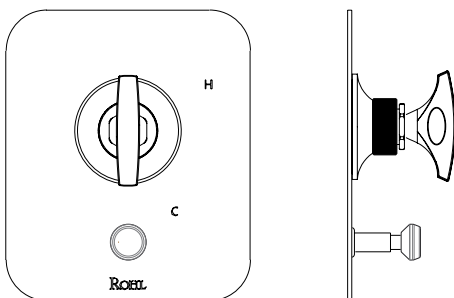


#### Suggested Retail Price

Handle	APC	PN	STN	MB	FB	GM	SG
MB2043DM __	462	554	577	600	656	656	948
MB2043LM __	437	525	546	568	621	621	896

- Temperature control only
- 1 function
- Rough valve sold separately  
— Order RCT-1/2" Pressure balance rough: \$183

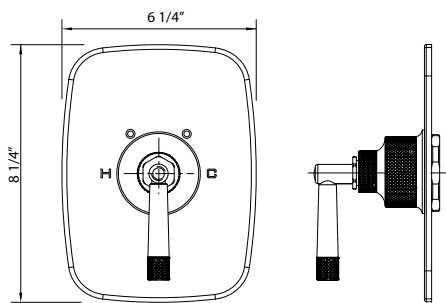
### MB2044N Graceline® 1/2" Pressure Balance Trim With Diverter



#### Suggested Retail Price

Handle	APC	PN	STN	MB	FB	GM	SG
MB2044NDM __	536	643	670	697	761	761	1077
MB2044NLM __	511	614	639	665	726	726	1024

- Temperature control with diverter
- 2 function
- Rough valve sold separately  
— Order RDD-2 1/2" Pressure balance rough: \$294



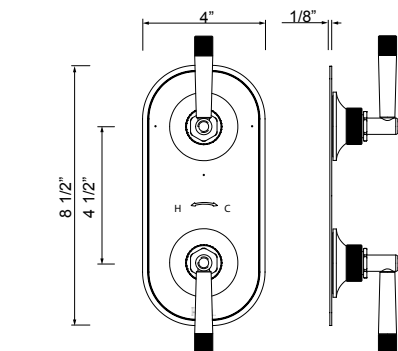
**MB2040N** Graceline® 3/4" Thermostatic Trim Without Volume Control



**Suggested Retail Price**

Handle	APC	PN	STN	MB	FB	GM	SG
MB2040NDM __	940	1128	1176	1223	1335	1335	2228
MB2040NLM __	881	1057	1102	1146	1251	1251	1932

- Temperature control only
- Rough valve sold separately
  - Order 1005N 3/4" thermostatic rough valve: \$333
- Volume control(s) required



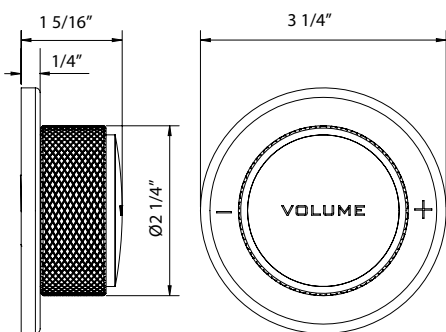
**MB2090** Graceline® 1/2" Thermostatic Trim with Diverter



**Suggested Retail Price**

Handle	APC	PN	STN	MB	FB	GM	SG
MB2090LM __	773	927	966	1005	1097	1097	1700

- Temperature control with diverter
- Up to 5 functions
- Rough valve sold separately. Select one:
  - Order R1051BV 1/2" thermostatic 1 function rough valve: \$404
  - Order R1052BD 1/2" thermostatic 2 function rough valve: \$405
  - Order R1053BD 1/2" thermostatic 3 function rough valve: \$472
  - Order R1055BD 1/2" thermostatic 5 function rough valve: \$472



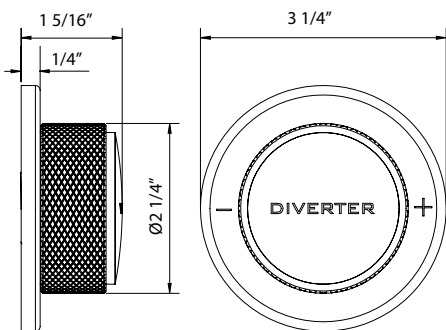
**MB2051** Graceline® Trim For Volume Control And Diverter



**Suggested Retail Price**

	APC	PN	STN	MB	FB	GM	SG
MB2051 __	400	480	500	520	568	568	892

- Volume control or diverter only
- Rough valve sold separately
  - Order R1040R 3/4" volume control rough valve: \$144



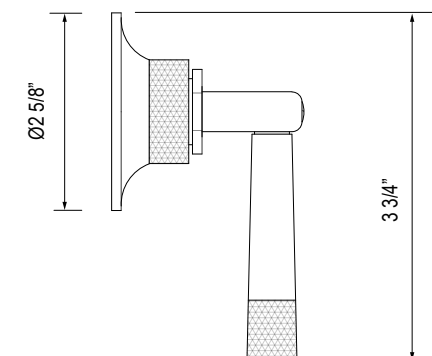
**MB2042** Graceline® Diverter Trim



**Suggested Retail Price**

	APC	PN	STN	MB	FB	GM	SG
MB2042 __	400	480	500	520	568	568	892

- Diverter only
- Rough valve sold separately
  - Order R1062BO 4-port, 3-way dedicated diverter rough valve: \$329



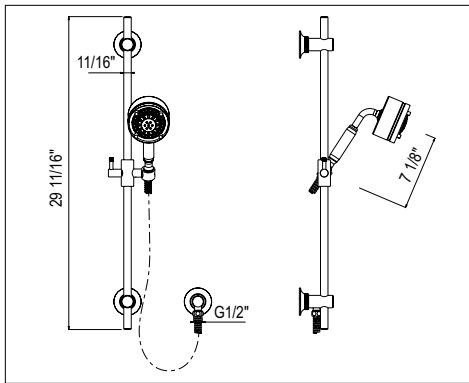
**MB2048** Graceline® Trim For Volume Control And Diverter



**Suggested Retail Price**

Handle	APC	PN	STN	MB	FB	GM	SG
MB2048LM __	299	359	374	390	426	426	654

- Volume control or diverter only
- Rough valve sold separately. Select one:
  - Order R1040R 3/4" volume control rough valve: \$144
  - Order R1062BO 4-port, 3-way dedicated diverter rough valve: \$329



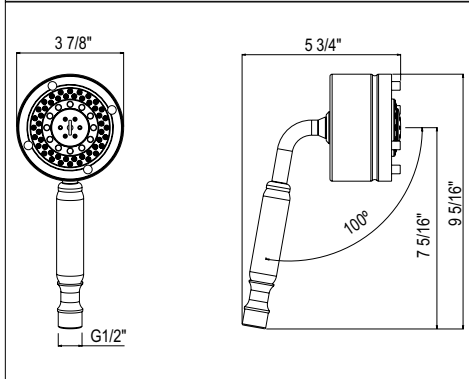
### MB2046 Handshower Set With 24" Slide Bar and Single Function Handshower



**Suggested Retail Price**

	APC	PN	STN	MB	FB	GM	SG
MB2046	1012	1214	1265	1316	1437	1437	2288

- Complements Graceline® collection and other transitional designs
- Single-function 402HS5 handshower
- 1.8 GPM at 60 PSI (CEC compliant)



### 402HS5 4" 5-Function Handshower

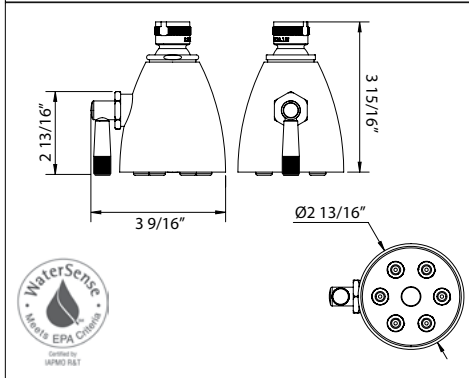
NEW



**Suggested Retail Price**

	APC	PN	STN	MB	FB	GM	SG	ULB
402HS5	338	406	423	440	480	480	480	480

- 5 functions
- 1.75 GPM at 60 PSI (CEC compliant)



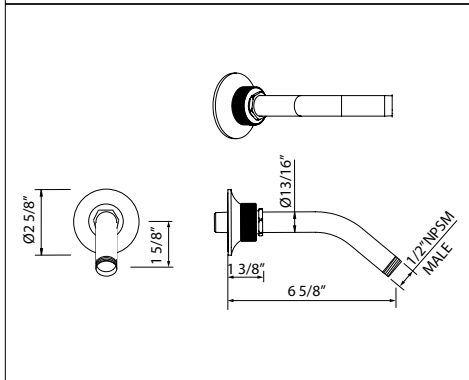
### MB0190 3" Multi-Function Showerhead



**Suggested Retail Price**

	APC	PN	STN	MB	FB	GM	SG
MB0190	329	395	411	428	467	467	864

- Complements Graceline® collection and other transitional designs
- Adjustable dial allows for infinite number of spray settings
- 1.8 GPM at 60 PSI (CEC compliant)



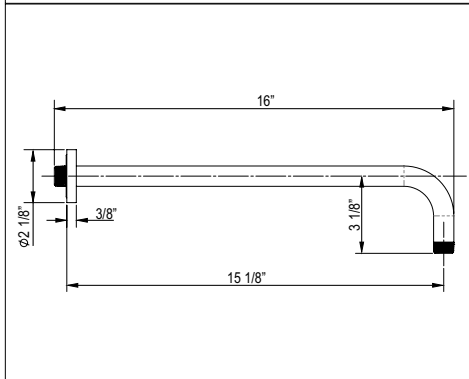
### MB2010 7" Reach Wall Mount Shower Arm



**Suggested Retail Price**

	APC	PN	STN	MB	FB	GM	SG
MB2010	144	172	180	187	204	204	263

- Complements Graceline® collection and other transitional designs



### MB3549 16" Reach Wall Mount Shower Arm



**Suggested Retail Price**

	MB	FB	GM	SG
MB3549	496	358	660	689

- Complements Graceline® collection and other transitional designs



SAN JULIO

TENERIFE

TUARIO

ACQUI

ARCANA

BELLIA

CAMPO

ECLISSI

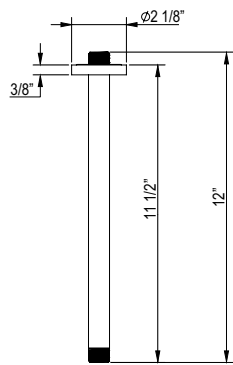
GRACELINE

LOMBARDIA

MEDA

MISCELO

PALLADIAN



**MB3551 12" Ceiling Mount Shower Arm**



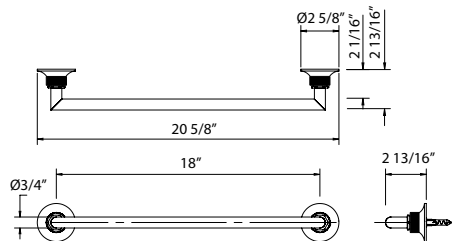
**Suggested Retail Price**

	MB	FB	GM	SG
MB3551 __	485	232	660	457

- Complements Graceline® collection and other transitional designs

ACQUI

ARCANA



**MBG1/18 Graceline® 18" Towel Bar**



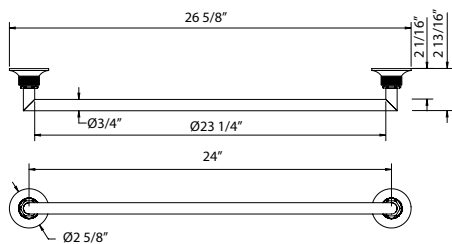
**Suggested Retail Price**

	APC	PN	STN	MB	FB	GM	SG
MBG1/18 __	566	679	707	736	803	803	1041

- Length cannot be cut down

BELLIA

CAMPO



**MBG1/24 Graceline® 24" Towel Bar**



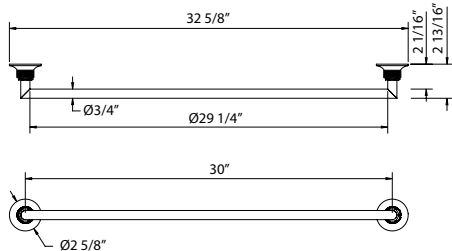
**Suggested Retail Price**

	APC	PN	STN	MB	FB	GM	SG
MBG1/24 __	595	714	743	773	844	844	1101

- Length cannot be cut down

ECLISSI

GRACELINE



**MBG1/30 Graceline® 30" Towel Bar**



**Suggested Retail Price**

	APC	PN	STN	MB	FB	GM	SG
MBG1/30 __	654	784	817	849	928	928	1160

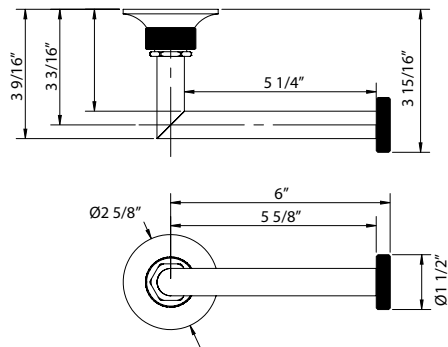
- Length cannot be cut down

LOMBARDIA

MEDA

MISCELO

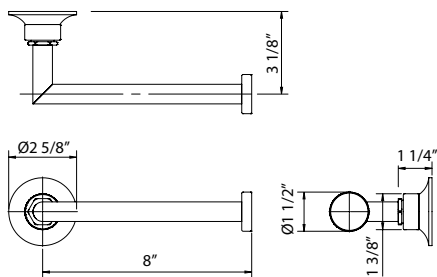
PALLADIAN

**MBG8 Graceline® Toilet Paper Holder****Suggested Retail Price**

	APC	PN	STN	MB	FB	GM	SG
MBG8 __	335	402	419	436	476	476	595



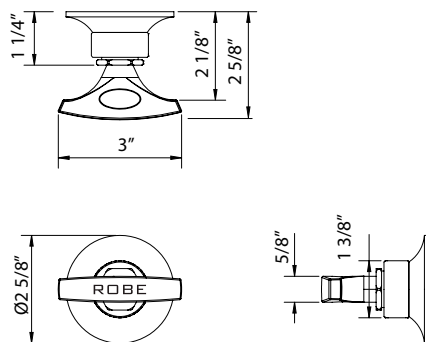
- There's no need to compromise on design in this essential space
- Accommodates oversized TP rolls

**MBG4 Graceline® Towel Holder****Suggested Retail Price**

	APC	PN	STN	MB	FB	GM	SG
MBG4 __	566	679	707	736	803	803	1060



- Elegantly display bath towels in a coordinated fashion with other accessories

**MBG7 Graceline® Robe Hook****Suggested Retail Price**

	APC	PN	STN	MB	FB	GM	SG
MBG7 __	430	516	537	559	610	610	744



- Holds one robe or towel close to your shower or bathing space



DM



LM

## GRACELINE® PRESSURE BALANCE SHOWER OPTION 1

Suggested Retail Price

Model	Description	Polished Chrome
MB2043	Trim	437
I00405	Showerhead	432
1120/12	Shower Arm	73
RCT-1	Rough	183
<b>Total Package List Price With Roughs</b>		<b>1,125</b>

**Note:** Sample configuration priced in Polished Chrome. Other configurations and finishes available. Complete your Shower experience by including one of our decorative drain options.



## GRACELINE® PRESSURE BALANCE SHOWER OPTION 2

Suggested Retail Price

Model	Description	Polished Chrome
MB2044	Trim	511
I00405	Showerhead	432
1120/12	Shower Arm	73
MB2046	Handshower Set	1,012
RDD-2	Rough	294
<b>Total Package List Price With Roughs</b>		<b>2,322</b>

**Note:** Sample configuration priced in Polished Chrome. Other configurations and finishes available. Complete your Shower experience by including one of our decorative drain options.





APC



PN



STN



MB



FB



GM



SG

**GRACELINE® 1/2" THERMOSTATIC SHOWER OPTION 1**

		Suggested Retail Price
Model	Description	Polished Chrome
MB2090	Trim	773
I00405	Showerhead	432
1120/12	Shower Arm	73
MB2046	Handshower Set	1,012
R1055BD	Rough	472
<b>Total Package List Price With Roughs</b>		<b>2,762</b>
R1052BD	Rough (No Share)	405
<b>Total Package List Price With Roughs</b>		<b>2,695</b>

**Note:** Sample configuration priced in Polished Chrome. Other configurations and finishes available. Complete your Shower experience by including one of our decorative drain options.

**GRACELINE® 1/2" THERMOSTATIC SHOWER OPTION 2**

		Suggested Retail Price
Model	Description	Polished Chrome
MB2090	Trim	773
MB0190	Showerhead	329
MB2010	Shower Arm	144
I00410	Ceiling Showerhead	576
1505/3	Ceiling Shower Arm	111
MB2046	Handshower Set	1,012
R1055BD	Rough	472
<b>Total Package List Price With Roughs</b>		<b>3,417</b>
R1053BD	Rough (No Share)	472
<b>Total Package List Price With Roughs</b>		<b>3,417</b>

**Note:** Sample configuration priced in Polished Chrome. Other configurations and finishes available. Complete your Shower experience by including one of our decorative drain options.



DM



LM



### GRACELINE® 1/2" THERMOSTATIC SHOWER OPTION 3

Suggested Retail Price

Model	Description	Polished Chrome
MB2090	Trim	773
I00405	Showerhead	432
1120/12	Shower Arm	73
MB2046	Handshower Set	1,012
MB2045	Tub Spout	239

R1055BD	Rough	472
---------	-------	-----

**Total Package List Price With Roughs** **3,001**

R1053BD	Rough (No Share)	472
---------	------------------	-----

**Total Package List Price With Roughs** **3,001**

**Note:** Sample configuration priced in Polished Chrome. Other configurations and finishes available. Complete your Shower experience by including one of our decorative drain options.



### GRACELINE® 3/4" THERMOSTATIC SHOWER OPTION 1

Suggested Retail Price

Model	Description	Polished Chrome
MB2040N	Trim	881
I00405	Showerhead	432
1120/12	Shower Arm	73
MB2046	Handshower Set	1,012
MB2051 (x3)	Volume Controls (x3)	1,200
1095/8 (x2)	Body Sprays (x2)	732

1005N	Rough	333
-------	-------	-----

R1040R (x3)	Volume Control Rough (x3)	432
-------------	---------------------------	-----

**Total Package List Price With Roughs** **5,095**

**Note:** Sample configuration priced in Polished Chrome. Other configurations and finishes available. Complete your Shower experience by including one of our decorative drain options.



# LOMBARDIA®

The Italian Alps of Lombardy loom large over the fashion capital of Milan. The Lombardia® Bath Collection pays tribute to this region of natural beauty and celebrated style. The vertically-stacked base of handles and faucet are inspired by mountain peaks and heights; the angular curve of the neck and clean lines follow stylistic signatures of Milan's minimalist fashion designers. This merging of art and nature creates a seamless balance, meant for a bathroom with a modern or transitional point of view.



A2228LMAPC

## Handle Options



*Metal Lever*  
LM



*Cross Handle*  
XM

## Available Finishes:



*Polished Chrome*  
APC



*Polished Nickel*  
PN



*Satin Nickel*  
STN



*Matte Black*  
MB



*Tuscan Brass®*  
TCB



*Unlacquered Brass*  
ULB

See product page for available finishes



APC



PN



STN



MB



TCB



ULB

FAUCETS



A1208  
page 236



A2228  
page 236



A2218  
page 237



A2207  
page 237

TUB FILLERS



A1264  
page 236



AKIT2202N  
page 237



A2202  
page 238



M2287  
page 238

SHOWER TRIMS



A2210  
page 238



A2210N  
page 238



A4214  
page 239



A4264  
page 239

SHOWER PACKAGES

PRESSURE BALANCE

1/2" THERMOSTATIC

3/4" THERMOSTATIC



page 242



page 242



page 243



page 243



page 244



page 244



LM



XM

# COMPLEMENTARY ITEMS

See product page for available finishes.

 Home

 Index

SAN JULIO

TENERIFE

TUARIO

ACQUI

ARCANA

BELLIA

CAMPO

ECLISSI

GRACELINE

LOUISA&A

MEDA

MISCELO

PALLADIAN



**I00405**  
page 385



**SLM05**  
page 388



**100126RS1**  
page 386



**I00218**  
page 390



**1505/24**  
page 398



**SOF136**  
page 402



**B0315**  
page 400



**SDPVC2/3-3142**  
page 421

SHOWER



**1265**  
page 410



**1650**  
page 405



**C50000/1**  
page 417



**L0095KIT1**  
page 403



**L01/24**  
page 240



**L08**  
page 240



**L04**  
page 240



**L07**  
page 240

ACCESSORIES



**SB2015**  
Shaws® Price Book



**BARCELONA 55**  
Victoria + Albert® Price Book



**KALDERA 56**  
Victoria + Albert® Price Book



**BARCELONA 2**  
Victoria + Albert® Price Book

BATH FIXTURES

SAN JULIO

TENERIFE

TUARIO

ACQUI

ARCANA

BELLIA

CAMPO

ECLISSI

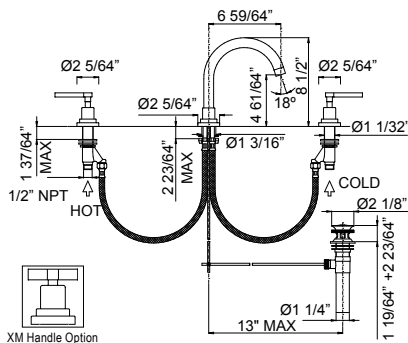
GRACELINE

LOMBARDIA

MEDA

MISCELO

PALLADIAN



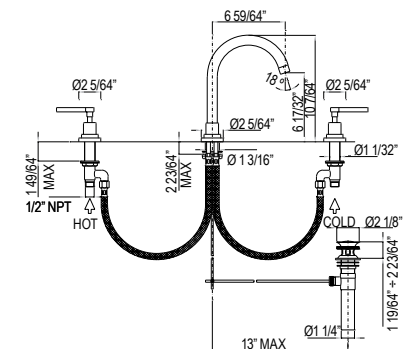
**A2228** Lombardia® Widespread Lavatory Faucet With C-Spout



**Suggested Retail Price**

Handle	APC	PN	STN	MB	TCB
A2228LM__-2	793	951	1122	1122	1125
A2228XM__-2	793	951	1122	1122	1125

- Lift rod drain assembly included with faucet
- 1.2 GPM at 60 PSI (CEC compliant)
- Matching tub filler A2214



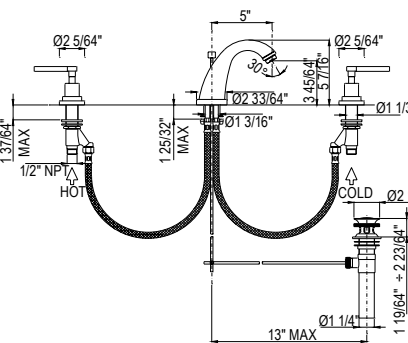
**A2208** Lombardia® Widespread Lavatory Faucet With C-Spout



**Suggested Retail Price**

Handle	APC	PN	STN	MB	TCB
A2208LM__-2	793	951	1122	1122	1125
A2208XM__-2	793	951	1122	1122	1125

- Lift rod drain assembly included with faucet
- 1.2 GPM at 60 PSI (CEC compliant)
- Matching tub filler A2214



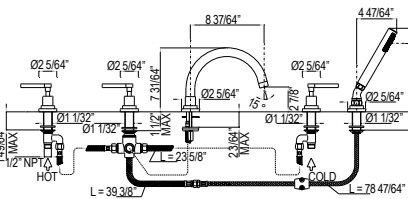
**A1208** Lombardia® Widespread Lavatory Faucet With C-Spout



**Suggested Retail Price**

Handle	APC	PN	STN	MB	TCB
A1208LM__-2	641	769	835	835	910
A1208XM__-2	641	769	835	835	910

- Lift rod drain assembly included with faucet
- 1.2 GPM at 60 PSI (CEC compliant)
- Matching tub filler A1264



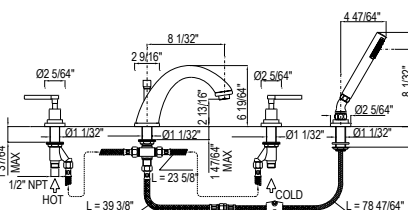
**A2214** Lombardia® 5-Hole Deck Mount Tub Filler With C-Spout



**Suggested Retail Price**

Handle	APC	PN	STN	MB	TCB
A2214LM__	2069	2482	2772	2772	2937
A2214XM__	2069	2482	2772	2772	2937

- Single-function anti-calcium handshower at 1.8 GPM at 60 PSI
- 4 GPM at 60 PSI (CEC compliant)
- 1/2" female NPT inlet
- Matching lav sets A2208 and A2228



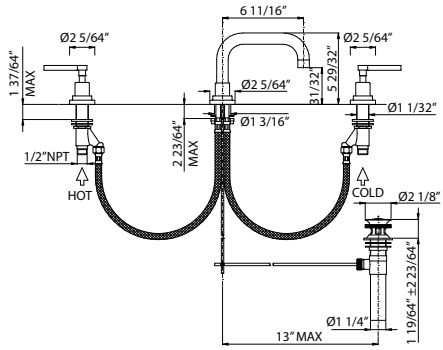
**A1264** Lombardia® 4-Hole Deck Mount Tub Filler



**Suggested Retail Price**

Handle	APC	PN	STN	MB	TCB
A1264LM__	1624	1948	2112	2112	2306
A1264XM__	1624	1948	2112	2112	2306

- Single-function anti-calcium handshower at 1.8 GPM at 60 PSI
- 6 GPM at 60 PSI (CEC compliant)
- 1/2" female NPT inlet
- Matching lav set A1208



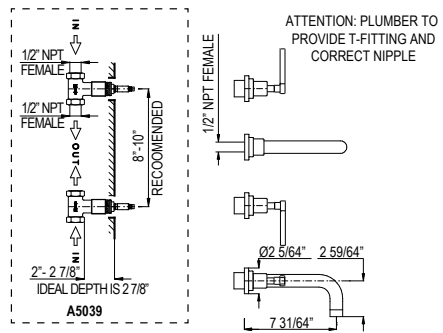
**A2218 Lombardia® Widespread Lavatory Faucet With U-Spout**



- Lift rod drain assembly included with faucet
- 1.2 GPM at 60 PSI (CEC compliant)
- Matching tub filler A2224

**Suggested Retail Price**

Handle	APC	PN	STN	MB	TCB	ULB
A2218LM	-2	797	956	1127	1127	1131
A2218XM	-2	797	956	1127	1127	1131



**A2207 Lombardia® Wall Mount Lavatory Faucet**



- 51/64" extension piece is C5590, must order two pieces to extend both hot and cold valves: \$72
- 1.2 GPM at 60 PSI (CEC compliant)
- Rough valve sold separately. Select one:
  - Order A5039L wall rough valve for lever handles: \$191
  - Order A5039X wall rough valve for cross handles: \$191
- Drain sold separately. See drain options below and Lavatory Drain tab for pricing

**Suggested Retail Price**

Handle	APC	PN	STN	MB	TCB
A2207LM	TO-2	655	785	1056	1097
A2207XM	TO-2	655	785	1056	1097

See Lavatory Drains tab for pricing.



5445

5447

6442

7444

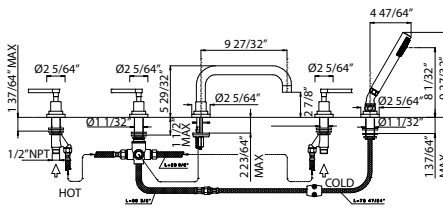
8446

CC2310FWO

0127DOF

CNZREMOTE

U.6702



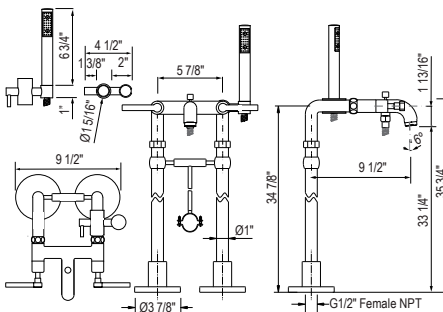
**A2224 Lombardia® 5-Hole Deck Mount Tub Filler With U-Spout**



- Single-function anti-calcium handshower at 1.8 GPM at 60 PSI
- 4 GPM at 60 PSI (CEC compliant)
- 1/2" female NPT inlet
- Matching lav set A2218

**Suggested Retail Price**

Handle	APC	PN	STN	MB	TCB	ULB
A2224LM	1981	2377	2655	2655	2813	2813
A2224XM	1981	2377	2655	2655	2813	2813



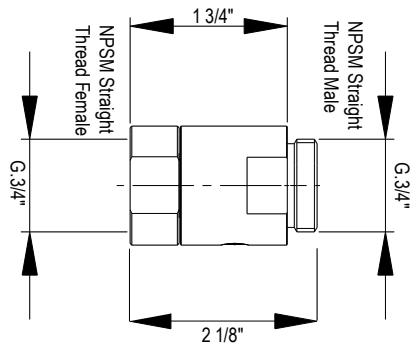
**AKIT2202N Lombardia® Floor Mount Tub Filler**



- Single-function anti-calcium handshower at 1.8 GPM at 60 PSI
- 6 GPM at 60 PSI (CEC compliant)
- 1/2" female NPT inlet
- 2" straight union extensions available, order part # C7205EXT+FINISH for a set of two.

**Suggested Retail Price**

Handle	APC	PN	STN	MB	TCB
AKIT2202NLM	2512	3014	3404	3265	3566
AKIT2202NXM	2512	3014	3404	3265	3568



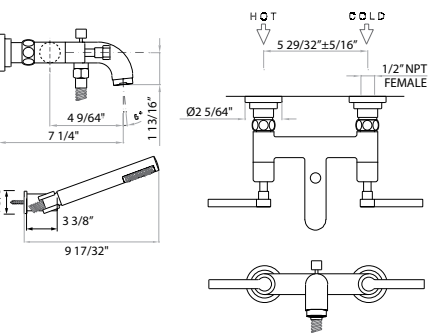
**ZA1038402** Floor Pillar Unions With Shut-Off Valves



• Fits ZA386 floor pillar legs

**Suggested Retail Price**

	APC	STN	PN
ZA1038402I-_-_-	205		
ZA1038402A-_-_-		263	
ZA1038402B-_-_-			246



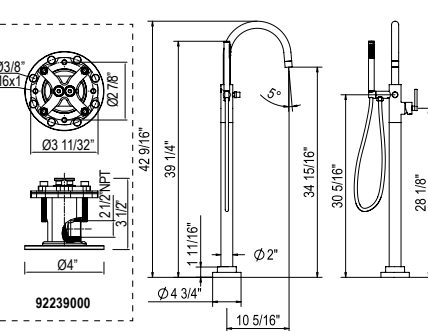
**A2202** Lombardia® Exposed Wall Mount Tub Filler



- Single-function anti-calcium handshower at 1.8 GPM at 60 PSI
- 6 GPM at 60 PSI (CEC compliant)
- 1/2" female NPT inlet
- 2" straight union extensions available, order part # C7205EXT+FINISH for a set of two

**Suggested Retail Price**

Handle	APC	PN	STN	MB	TCB
A2202LM_-_-	1292	1550	1679	1680	1835
A2202XM_-_-	1292	1550	1679	1680	1835



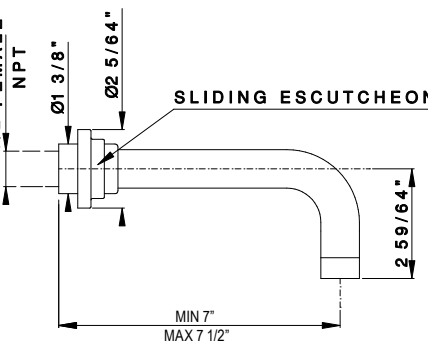
**M2287** Lombardia® Single Hole Floor Mount Tub Filler Trim



- Single-function anti-calcium handshower at 1.8 GPM at 60 PSI
- 6 GPM at 60 PSI (CEC compliant)
- 1/2" female NPT inlet
- Rough valve sold separately  
— Order R922390000 floor rough valve: \$608
- Remote thermostatic valve may be needed; verify local code requirements

**Suggested Retail Price**

Handle	APC	PN	STN	MB
M2287LM_-_/TO	1886	2264	2736	2845



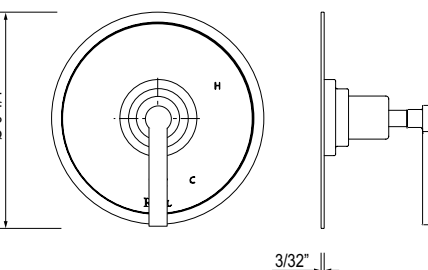
**A2203** Lombardia® Wall Mount Tub Spout



- 6 GPM at 60 PSI
- 1/2" female NPT inlet

**Suggested Retail Price**

	APC	PN	STN	ULB
A2203_-_-	285	342	379	404



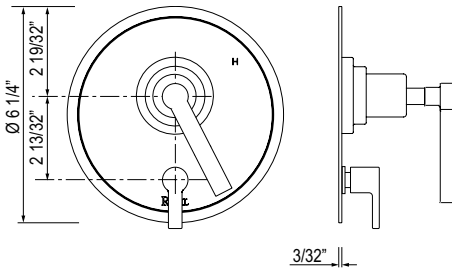
**A2210** Lombardia® 1/2" Pressure Balance Trim Without Diverter



- Temperature control only
- 1 function
- Rough valve sold separately  
— Order RCT-1/2" Pressure balance rough: \$183

**Suggested Retail Price**

Handle	APC	PN	STN	MB	TCB
A2210LM_-_-	487	584	633	633	691
A2210XM_-_-	487	584	633	633	691



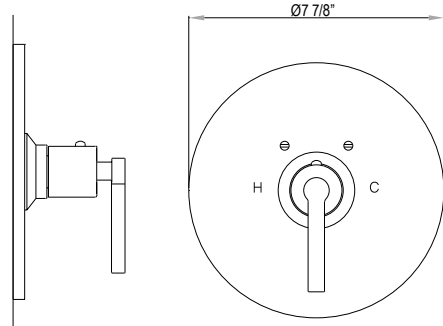
### A3210N Lombardia® 1/2" Pressure Balance Trim With Diverter



#### Suggested Retail Price

Handle	APC	PN	STN	MB	TCB	ULB
A3210NLM	561	673	713	729	796	
A3210NXM	561	673	713	729	796	

- Temperature control with diverter
- 2 function
- Rough valve sold separately
  - Order RDD-2 1/2" Pressure balance rough: \$294



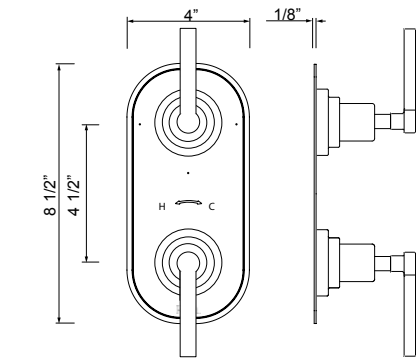
### A4214 Lombardia® 3/4" Thermostatic Trim Without Volume Control



#### Suggested Retail Price

Handle	APC	PN	STN	MB	TCB	ULB
A4214LM	580	696	769	769	824	824
A4214XM	580	696	769	769	824	824

- Temperature control only
- Rough valve sold separately
  - Order 1005N 3/4" thermostatic rough valve: \$333
- Volume control(s) required



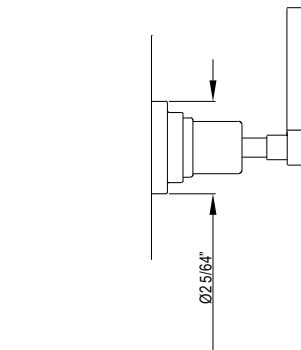
### A4264 Lombardia® 1/2" Thermostatic Trim with Diverter



#### Suggested Retail Price

Handle	APC	PN	STN	MB	TCB	ULB
A4264LM	843	1012	1082	1096	1197	1197
A4264XM	843	1012	1082	1096	1197	1197

- Temperature control with diverter
- Up to 5 functions
- Rough valve sold separately. Select one:
  - Order R1051BV 1/2" thermostatic 1 function rough valve: \$404
  - Order R1052BD 1/2" thermostatic 2 function rough valve: \$405
  - Order R1053BD 1/2" thermostatic 3 function rough valve: \$472
  - Order R1055BD 1/2" thermostatic 5 function rough valve: \$472



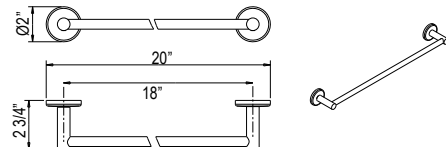
### A4212 Lombardia® Trim For Volume Control And Diverter



#### Suggested Retail Price

Handle	APC	PN	STN	MB	TCB	ULB
A4212LM	334	401	445	439	475	475
A4212XM	334	401	445	439	475	475

- Volume control or diverter only
- Rough valve sold separately. Select one:
  - Order R1040R 3/4" volume control rough valve: \$144
  - Order R1062BO 4-port, 3-way dedicated diverter rough valve: \$329



### LO1/18 Lombardia® 18" Towel Bar



#### Suggested Retail Price

Handle	APC	PN	STN	MB	TCB	ULB
LO1/18	158	190	197	205	224	224

- Length cannot be cut down



SAN JULIO

TENERIFE

TUARIO

ACQUI

ARCANA

BELLIA

CAMPO

ECLISSI

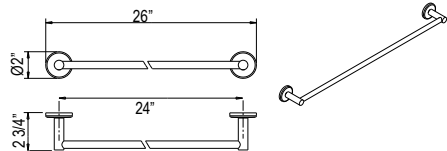
GRACELINE

LOMBARDIA

MEDA

MISCELO

PALLADIAN



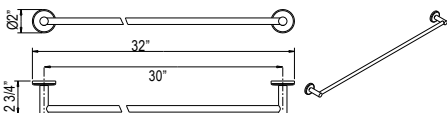
**L01/24 Lombardia® 24" Towel Bar**

**Suggested Retail Price**

	APC	PN	STN	MB	TCB	ULB
L01/24 __	165	198	206	215	235	235



- Length cannot be cut down



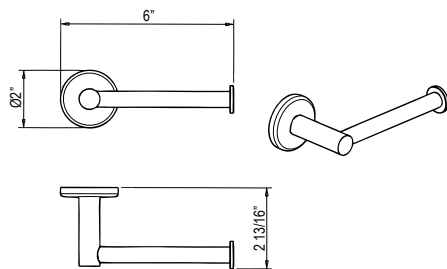
**L01/30 Lombardia® 30" Towel Bar**

**Suggested Retail Price**

	APC	PN	STN	MB	TCB	ULB
L01/30 __	175	209	218	227	248	248



- Length cannot be cut down



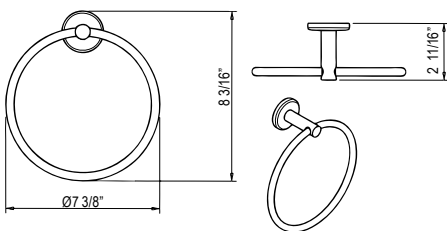
**L08 Lombardia® Toilet Paper Holder**

**Suggested Retail Price**

	APC	PN	STN	MB	TCB	ULB
L08 __	103	124	129	134	147	147



- There's no need to compromise on design in this essential space



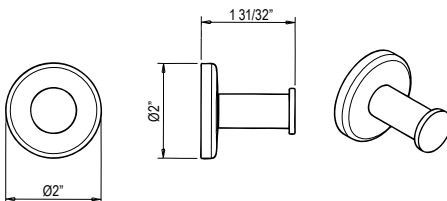
**L04 Lombardia® Towel Ring**

**Suggested Retail Price**

	APC	PN	STN	MB	TCB	ULB
L04 __	110	132	143	143	156	156



- Elegantly display bath towels in a coordinated fashion with other accessories



**L07 Lombardia® Robe Hook**

**Suggested Retail Price**

	APC	PN	STN	MB	TCB	ULB
L07 __	73	87	91	94	103	103



- Holds one robe or towel close to your shower or bathing space





APC



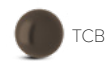
PN



STN



MB



TCB



ULB



Home



Index

SAN JULIO

TENERIFE

TUARIO

ACQUI

ARCANA

BELLIA

CAMPO

ECLISSI

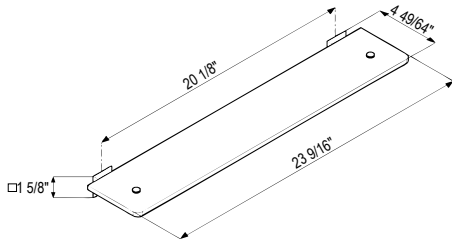
GRACELINE

LOMBARDIA

MEDA

MISCELO

PALLADIAN



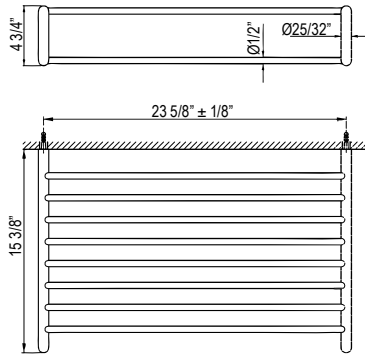
### VIN12 Vincent™ Wall Mount Glass Vanity Shelf

**Suggested Retail Price**

	APC	PN	STN
VIN12 - _ _	263	316	329



- Tempered glass



### SY300 Lombardia® 24" Wall Mount Towel Shelf

**Suggested Retail Price**

	APC	PN	STN
SY300- _ _	1348	1617	1878



- Ideal for storing and hanging towels in the bathroom
- Hotel style towel shelf and bar



**LOMBARDIA® PRESSURE BALANCE SHOWER OPTION 1**

Model	Description	Suggested Retail Price
		Polished Chrome
A2210	Trim	487
SOF136	Handshower	118
1650	Handshower Bar	341
33640	Outlet	93
16295	Hose	53
RCT-1	Rough	183
<b>Total Package List Price With Roughs</b>		<b>1,275</b>

**Note:** Sample configuration priced in Polished Chrome. Other configurations and finishes available. Complete your Shower experience by including one of our decorative drain options.



**LOMBARDIA® PRESSURE BALANCE SHOWER OPTION 2**

Model	Description	Suggested Retail Price
		Polished Chrome
A3210	Trim	561
WI0196	Showerhead	243
1120/12	Shower Arm	73
SOF136	Handshower	118
1650	Handshower Bar	341
33640	Outlet	93
16295	Hose	53
RDD-2	Rough	294
<b>Total Package List Price With Roughs</b>		<b>1,776</b>

**Note:** Sample configuration priced in Polished Chrome. Other configurations and finishes available. Complete your Shower experience by including one of our decorative drain options.



### LOMBARDIA® 1/2" THERMOSTATIC SHOWER OPTION 1

Model	Description	Suggested Retail Price
		Polished Chrome
A4264	Trim	843
I00405	Showerhead	432
1120/12	Shower Arm	73
SOF136	Handshower	118
1650	Handshower Bar	341
33640	Outlet	93
16295	Hose	53
<b>Total Package List Price With Roughs</b>		<b>2,425</b>
R1055BD	Rough	472
<b>Total Package List Price With Roughs</b>		<b>2,358</b>

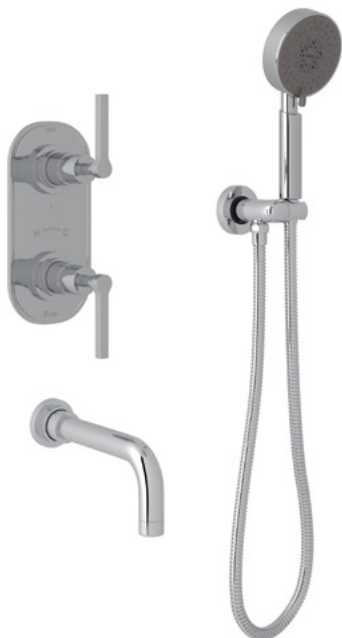
**Note:** Sample configuration priced in Polished Chrome. Other configurations and finishes available. Complete your Shower experience by including one of our decorative drain options.

### LOMBARDIA® 1/2" THERMOSTATIC SHOWER OPTION 2



Model	Description	Suggested Retail Price
		Polished Chrome
A4264	Trim	843
I00405	Showerhead	432
1120/12	Shower Arm	73
SLM03	Ceiling Showerhead	726
1505/3	Ceiling Shower Arm	111
SOF136	Handshower	118
1650	Handshower Bar	341
33640	Outlet	93
16295	Hose	53
<b>Total Package List Price With Roughs</b>		<b>3,262</b>
R1055BD	Rough	472
<b>Total Package List Price With Roughs</b>		<b>3,262</b>

**Note:** Sample configuration priced in Polished Chrome. Other configurations and finishes available. Complete your Shower experience by including one of our decorative drain options.



**LOMBARDIA® 1/2" THERMOSTATIC SHOWER OPTION 3**

Suggested Retail Price

Model	Description	Polished Chrome
A4264	Trim	843
I00405	Showerhead	432
1120/12	Shower Arm	73
SOF136	Handshower	118
CD8000	Handshower Bracket	154
16295	Hose	53
A2203	Tub Spout	285

R1055BD	Rough	472
---------	-------	-----

**Total Package List Price With Roughs 2,430**

R1053BD	Rough (No Share)	472
---------	------------------	-----

**Total Package List Price With Roughs 2,430**

**Note:** Sample configuration priced in Polished Chrome. Other configurations and finishes available. Complete your Shower experience by including one of our decorative drain options.

**LOMBARDIA® 3/4" THERMOSTATIC SHOWER OPTION 1**

Suggested Retail Price

Model	Description	Polished Chrome
A4214	Trim	580
I00405	Showerhead	432
1120/12	Shower Arm	73
SOF136	Handshower	118
1650	Handshower Bar	341
33640	Outlet	93
16295	Hose	53
A4212 (x3)	Volume Controls (x3)	1,002
I00124 (x2)	Body Sprays (x2)	232

1005N	Rough	333
-------	-------	-----

R1040R (x3)	Volume Control Rough (x3)	432
-------------	---------------------------	-----

**Total Package List Price With Roughs 3,689**

**Note:** Sample configuration priced in Polished Chrome. Other configurations and finishes available. Complete your Shower experience by including one of our decorative drain options.



# MEDA™

Meda, in the heart of Brianza, Italy, has a storied history of high-end furnishings going back to the 18th century, but it's most famous for designers like Cassina and Minotti, who defined modern Italian furniture style. Their approach of clean straight lines and subtle rounded slopes and shapes, unfettered by ornamentation, is best portrayed in our Meda™ Bath Collection.

Sleek symmetry and purity of style shows in the right-angled faucet neck to a perfectly square showerhead. Meda is an impeccable accompaniment for bathrooms with modern and transitional personalities.



LV102LAPC

## Handle Options



*Metal Lever*  
LM

## Available Finishes:



*Polished Chrome*  
APC



*Polished Nickel*  
PN



*Satin Nickel*  
STN

*See product page for available finishes*

FAUCETS



LV51  
page 248



LV354  
page 248



LV102  
page 248



LV351  
page 248

TUB FILLERS



LVKIT2113  
page 249



LVKIT2111N  
page 249



LV24  
page 249

SHOWER TRIMS



LV110  
page 250



LV210N  
page 250



LV720L  
page 250



LV390  
page 250

PRESSURE BALANCE

1/2" THERMOSTATIC

3/4" THERMOSTATIC

SHOWER PACKAGES



page 253



page 253



page 254



page 254



page 255



page 255



# COMPLEMENTARY ITEMS

See product page for available finishes.

Home

Index



I00597  
page 249



SLM05  
page 388



I00405  
page 385



I00218  
page 390



1510/6  
page 397



1410/16  
page 396



SOF136  
page 402



SDPVC2/3-3143  
page 421



1266  
page 411



C72  
page 251



C50000/1  
page 417



L0095KIT1  
page 403



L01/24  
page 251



L08  
page 251



L04  
page 252



SY300  
page 252



SB1715  
Shaws® Price Book



CORVARA 55  
Victoria + Albert® Price Book



ios 80  
Victoria + Albert® Price Book



ios  
Victoria + Albert® Price Book

SHOWER

ACCESSORIES

BATH FIXTURES

SAN JULIO

TENERIFE

TUARIO

ACQUI

ARCANA

BELLIA

CAMPO

ECLISSI

GRACELINE

LOMBARDIA

MISCEA

MISCELO

PALLADIAN



SAN JULIO

TENERIFE

TUARIO

ACQUI

ARCANA

BELLIA

CAMPO

ECLISSI

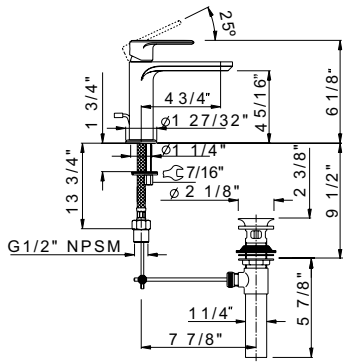
GRACELINE

LOMBARDIA

MESA

MISCELO

PALLADIAN



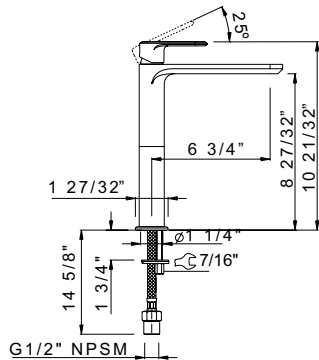
**LV51 Meda™ Single Handle Lavatory Faucet**



**Suggested Retail Price**

Handle	APC	PN	STN
LV51L-_-_-2	649	779	893

- Lift rod drain assembly included with faucet
- 1.2 GPM at 60 PSI (CEC compliant)



**LV354 Meda™ Single Handle Tall Lavatory Faucet**



**Suggested Retail Price**

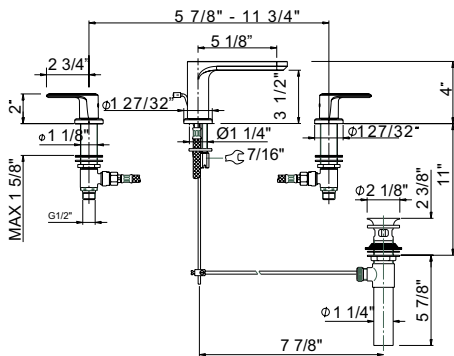
Handle	APC	PN	STN
LV354L-_-_-2	779	935	1051

- 1.2 GPM at 60 PSI (CEC compliant)
- Drain sold separately. See drain options below and Lavatory Drain tab for pricing

See Lavatory Drains tab for pricing.



5445    5447    6442    7444    8446    CC231OFWO    0127DOF    CNZREMOTE    U.6702



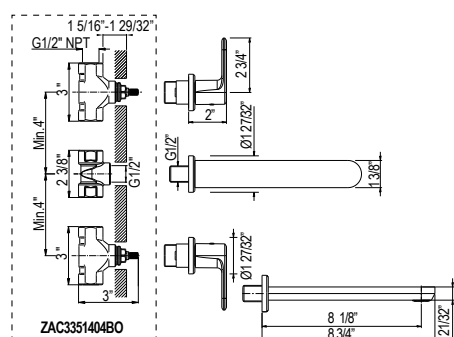
**LV102 Meda™ Widespread Lavatory Faucet**



**Suggested Retail Price**

Handle	APC	PN	STN
LV102L-_-_-2	910	1092	1250

- Lift rod drain assembly included with faucet
- 1.2 GPM at 60 PSI (CEC compliant)



**LV351 Meda™ Wall Mount Lavatory Faucet**



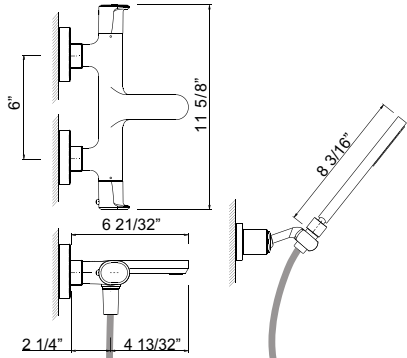
**Suggested Retail Price**

Handle	APC	PN	STN
LV351L-_-_-/TO-2	683	820	1001

- 13/16" extension kit is ZA10055004, set of two pieces to extend both hot and cold valves: \$128
- 1.2 GPM at 60 PSI (CEC compliant)
- Rough valve sold separately — Order ZAC3351104BO wall rough valve: \$276
- Drain sold separately. See drain options below and Lavatory Drain tab for pricing



See Lavatory Drains tab for pricing.



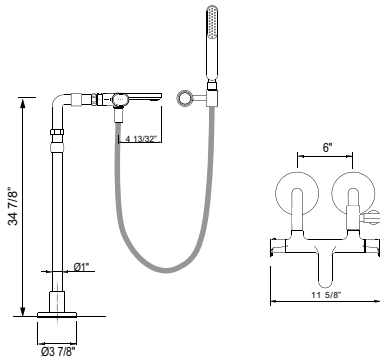
### LVKIT2113 Meda™ Exposed Wall Mount Tub Filler

#### Suggested Retail Price

Handle	APC	PN	STN
LVKIT2113L-	1404	1685	1962



- Single-function anti-calcium handshower at 1.8 GPM at 60 PSI
- 5 GPM at 60 PSI
- 3/4" female NPT inlet



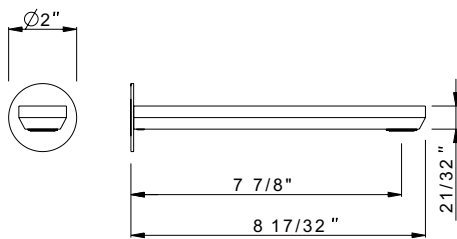
### LVKIT2111N Meda™ Floor Mount Tub Filler

#### Suggested Retail Price

Handle	APC	PN	STN
LVKIT2111NL-	2601	3121	3621



- Single-function anti-calcium handshower at 1.8 GPM at 60 PSI
- 5 GPM at 60 PSI
- 1/2" female NPT inlet



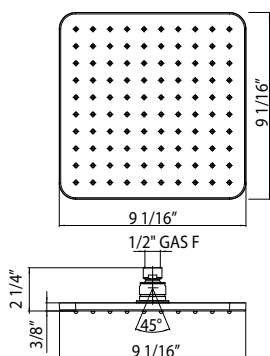
### LV24 Meda™ Wall Mount Tub Spout

#### Suggested Retail Price

APC	PN	STN
LV24-	364	437 455



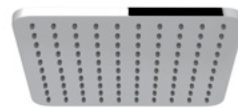
- 6 GPM at 60 PSI
- 1/2" female NPT inlet
- Spout connection requires special rough fitting to be installed before the finished wall is complete. Spout connection and rough for wall valve are an integrated assembly. Do not set finish wall until the rough assembly is installed.



### I00597 10" Rain Showerhead

#### Suggested Retail Price

APC	PN	STN
I00597	473	576 732



- Complements Meda™ collection and other modern designs
- 1 function
- 1.8 GPM at 60 PSI (CEC compliant)



SAN JULIO

TENERIFE

TUARIO

ACQUI

ARCANA

BELLIA

CAMPO

ECLISSI

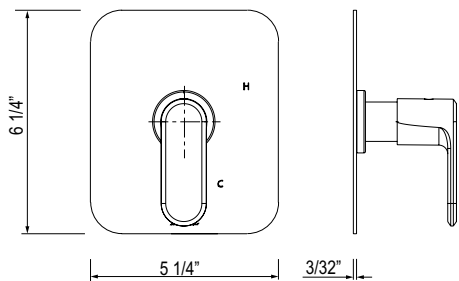
GRACELINE

LOMBARDIA

MESA

MISCELO

PALLADIAN



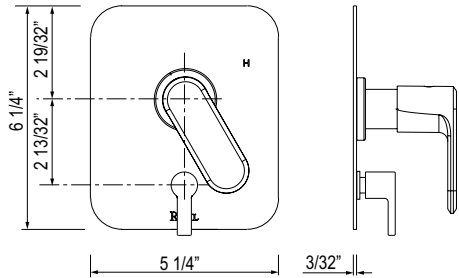
**LV110 Meda™ 1/2" Pressure Balance Trim Without Diverter**



**Suggested Retail Price**

Handle	APC	PN	STN
LV110L-__	424	509	564

- Temperature control only
- 1 function
- Rough valve sold separately
  - Order RCT-1/2" Pressure balance rough: \$183



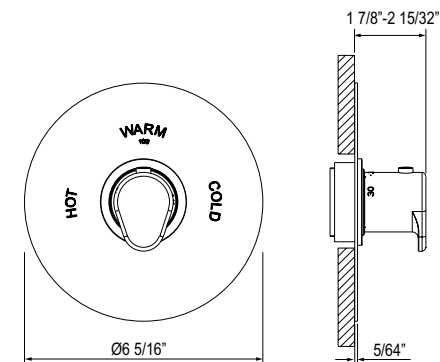
**LV210N Meda™ 1/2" Pressure Balance Trim With Diverter**



**Suggested Retail Price**

Handle	APC	PN	STN
LV210NL-__	506	607	672

- Temperature control with diverter
- 2 function
- Rough valve sold separately
  - Order RDD-2 1/2" Pressure balance rough: \$294



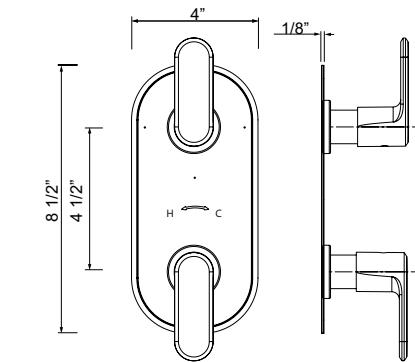
**LV720 Meda™ 3/4" Thermostatic Trim Without Volume Control**



**Suggested Retail Price**

Handle	APC	PN	STN
LV720L-__ /TO	369	443	498

- Temperature control only
- Rough valve sold separately
  - Order 1005N 3/4" thermostatic rough valve: \$333
- Volume control(s) required



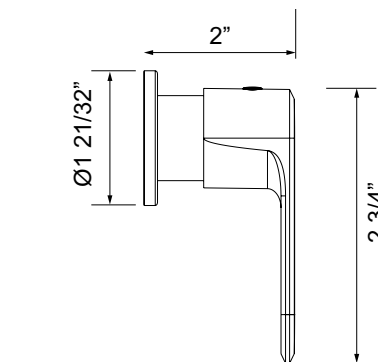
**LV390 Meda™ 1/2" Thermostatic Trim with Diverter**



**Suggested Retail Price**

Handle	APC	PN	STN
LV390L-__ /TO	717	860	972

- Temperature control with diverter
- Up to 5 functions
- Rough valve sold separately. Select one:
  - Order R1051BV 1/2" thermostatic 1 function rough valve: \$404
  - Order R1052BD 1/2" thermostatic 2 function rough valve: \$405
  - Order R1053BD 1/2" thermostatic 3 function rough valve: \$472
  - Order R1055BD 1/2" thermostatic 5 function rough valve: \$472



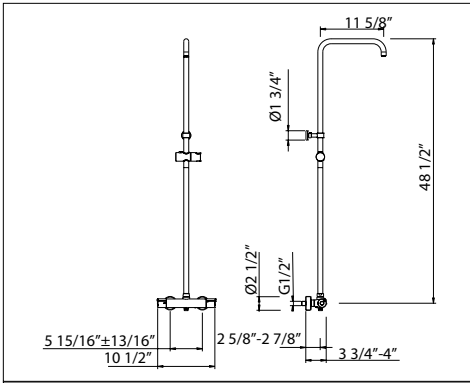
**LV195 Meda™ Trim For Volume Control And Diverter**



**Suggested Retail Price**

Handle	APC	PN	STN
LV195L-__ /TO	263	315	381

- Volume control or diverter only
- Rough valve sold separately. Select one:
  - Order R1040R 3/4" volume control rough valve: \$144
  - Order R1062BO 4-port, 3-way dedicated diverter rough valve: \$329



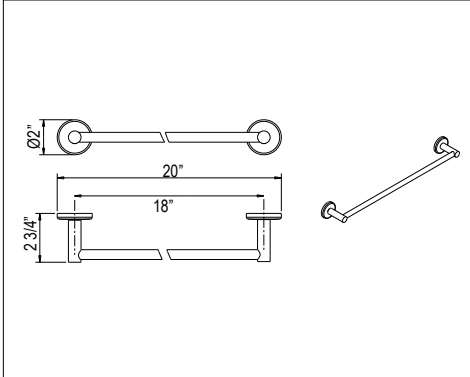
**C72 Exposed Wall Mount Thermostatic Shower With Diverter**



- Temperature and volume control
- 1/2" female connections

**Suggested Retail Price**

	APC	PN	STN
C72-__	635	762	901



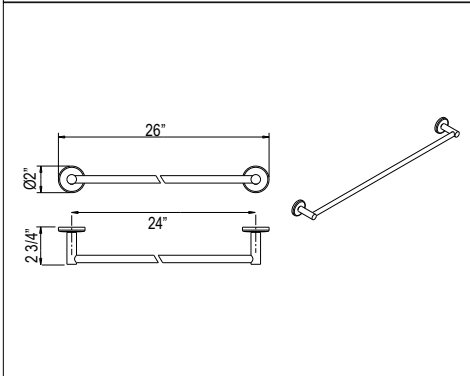
**L01/18 Lombardia® 18" Towel Bar**



- Length cannot be cut down

**Suggested Retail Price**

	APC	PN	STN
L01/18 __	158	190	197



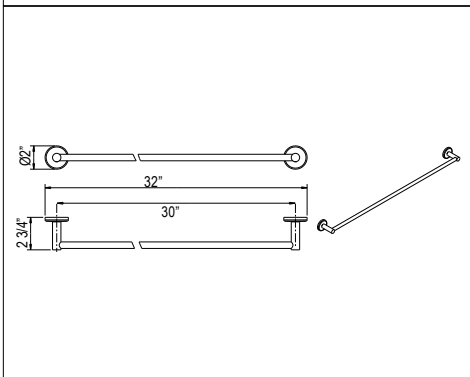
**L01/24 Lombardia® 24" Towel Bar**



- Length cannot be cut down

**Suggested Retail Price**

	APC	PN	STN
L01/24 __	165	198	206



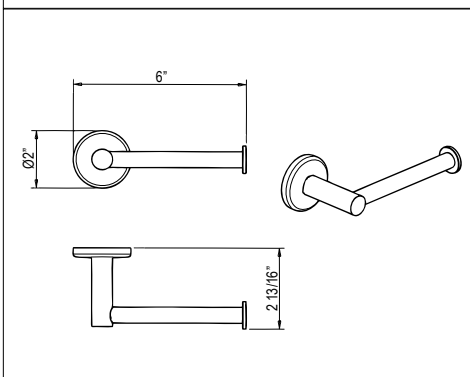
**L01/30 Lombardia® 30" Towel Bar**



- Length cannot be cut down

**Suggested Retail Price**

	APC	PN	STN
L01/30 __	175	209	218



**L08 Lombardia® Toilet Paper Holder**



- There's no need to compromise on design in this essential space

**Suggested Retail Price**

	APC	PN	STN
L08 __	103	124	129



SAN JULIO

TENERIFE

TUARIO

ACQUI

ARCANA

BELLIA

CAMPO

ECLISSI

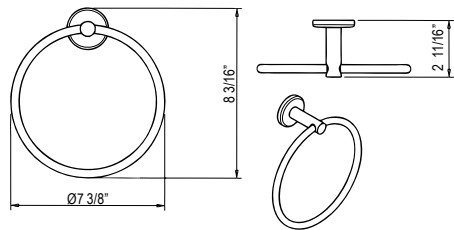
GRACELINE

LOMBARDIA

MESA

MISCELO

PALLADIAN



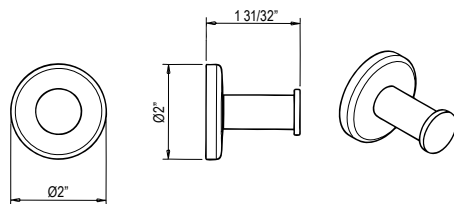
**L04 Lombardia® Towel Ring**



**Suggested Retail Price**

	APC	PN	STN
L04	110	132	143

- Elegantly display bath towels in a coordinated fashion with other accessories



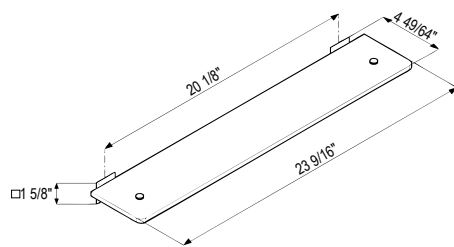
**L07 Lombardia® Robe Hook**



**Suggested Retail Price**

	APC	PN	STN
L07	73	87	91

- Holds one robe or towel close to your shower or bathing space



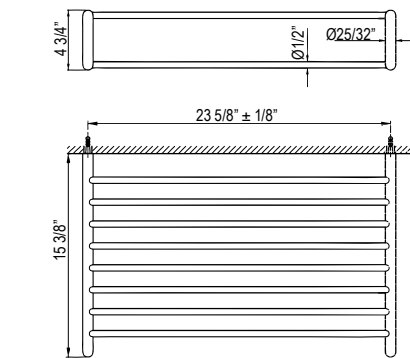
**VIN12 Vincent™ Wall Mount Glass Vanity Shelf**



**Suggested Retail Price**

	APC	PN	STN
VIN12	263	316	329

- Tempered glass



**SY300 Lombardia® 24" Wall Mount Towel Shelf**



**Suggested Retail Price**

	APC	PN	STN
SY300	1348	1617	1878

- Ideal for storing and hanging towels in the bathroom
- Hotel style towel shelf and bar



### MEDA™ PRESSURE BALANCE SHOWER OPTION 1

Model	Description	Suggested Retail Price
		Polished Chrome
LV110L	Trim	424
SOF136	Handshower	118
1650	Handshower Bar	341
33640	Outlet	93
16295	Hose	53
RCT-1	Rough	183
<b>Total Package List Price With Roughs</b>		<b>1,212</b>

**Note:** Sample configuration priced in Polished Chrome. Other configurations and finishes available. Complete your Shower experience by including one of our decorative drain options.



### MEDA™ PRESSURE BALANCE SHOWER OPTION 2

Model	Description	Suggested Retail Price
		Polished Chrome
LV210L	Trim	506
I00597	Showerhead	473
1120/12	Shower Arm	73
SOF136	Handshower	118
1650	Handshower Bar	341
33640	Outlet	93
16295	Hose	53
RDD-2	Rough	294
<b>Total Package List Price With Roughs</b>		<b>1,951</b>

**Note:** Sample configuration priced in Polished Chrome. Other configurations and finishes available. Complete your Shower experience by including one of our decorative drain options.



SAN JULIO

TENERIFE

TUARIO

ACQUI

ARCANA

BELLIA

CAMPO

ECLISSI

GRACELINE

LOMBARDIA

MEDA

MISCELO

PALLADIAN



**MEDA™ 1/2" THERMOSTATIC SHOWER OPTION 1**

Suggested Retail Price

Model	Description	Polished Chrome
LV390L	Trim	717
I00597	Showerhead	473
1120/12	Shower Arm	73
SOF136	Handshower	118
1650	Handshower Bar	341
33640	Outlet	93
16295	Hose	53
<b>Total Package List Price With Roughs</b>		<b>2,340</b>
R1055BD	Rough	472
<b>Total Package List Price With Roughs</b>		<b>2,273</b>

**Note:** Sample configuration priced in Polished Chrome. Other configurations and finishes available. Complete your Shower experience by including one of our decorative drain options.



**MEDA™ 1/2" THERMOSTATIC SHOWER OPTION 2**

Suggested Retail Price

Model	Description	Polished Chrome
LV390L	Trim	717
I00597	Showerhead	473
1120/12	Shower Arm	73
I00598	Ceiling Showerhead	677
1505/3	Ceiling Shower Arm	111
SOF136	Handshower	118
1650	Handshower Bar	341
33640	Outlet	93
16295	Hose	53
<b>Total Package List Price With Roughs</b>		<b>3,128</b>
R1055BD	Rough	472
<b>Total Package List Price With Roughs</b>		<b>3,128</b>

**Note:** Sample configuration priced in Polished Chrome. Other configurations and finishes available. Complete your Shower experience by including one of our decorative drain options.



APC



PN



STN

**MEDA™ 1/2" THERMOSTATIC SHOWER OPTION 3****Suggested Retail Price**

Model	Description	Polished Chrome
LV390L	Trim	717
I00597	Showerhead	473
1120/12	Shower Arm	73
SOF136	Handshower	118
CD8000	Handshower Bracket	154
16295	Hose	53
LV24	Tub Spout	364
R1055BD	Rough	472
<b>Total Package List Price With Roughs</b>		<b>2,424</b>
R1053BD	Rough (No Share)	472
<b>Total Package List Price With Roughs</b>		<b>2,424</b>

**Note:** Sample configuration priced in Polished Chrome. Other configurations and finishes available. Complete your Shower experience by including one of our decorative drain options.

**MEDA™ 3/4" THERMOSTATIC SHOWER OPTION 1****Suggested Retail Price**

Model	Description	Polished Chrome
LV720L	Trim	369
I00597	Showerhead	473
1120/12	Shower Arm	73
SOF136	Handshower	118
1650	Handshower Bar	341
33640	Outlet	93
16295	Hose	53
LV195 (x3)	Volume Controls (x3)	789
I00124 (x2)	Body Sprays (x2)	232
1005N	Rough	333
R1040R (x3)	Volume Control Rough (x3)	432
<b>Total Package List Price With Roughs</b>		<b>3,306</b>

**Note:** Sample configuration priced in Polished Chrome. Other configurations and finishes available. Complete your Shower experience by including one of our decorative drain options.





# MISCELO™

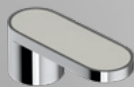
Miscelo means to mix or blend, and the Miscelo Collection encourages mixing, matching, and experimenting with shade and surface. Italian designer Nilo Gioacchini started with a sleek, minimal look, then added a touch of drama that offers a multitude of faucet variations. Select from five accents in different hues and textures to top the Miscelo neck and handle. Options expand further with a choice of finishes to create a bespoke look that's uniquely personal.

Miscelo brings eye-catching accents to the bathroom, for flair with imagination and panache.

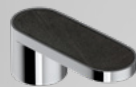


MI01D1SDAPC

## Available laminate inserts:



*Bianco*  
BL



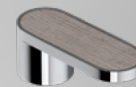
*Greystone Quarry*  
GQ



*Nero*  
NR



*Sedona*  
SD



*Whitewash Barnwood*  
WB

## Available finishes:



*Polished Chrome*  
APC



*Satin Nickel*  
STN



*Matte Black*  
MB

See product page for available finishes

FAUCETS



MI09D3  
page 261



MI01D1  
page 261



MI02D1  
page 261



MI01W2  
page 261

TUB FILLERS



MI05D5  
page 262



MI05F1  
page 262

SHOWER TRIMS



MI10W1  
page 262



MI11W1  
page 263



MI13W1  
page 263



MI12W2  
page 263

PRESSURE BALANCE

1/2" THERMOSTATIC

3/4" THERMOSTATIC

SHOWER PACKAGES



page 265



page 265



page 266



page 266



page 267




page 267

# COMPLEMENTARY ITEMS

See product page for available finishes.

 Home

 Index



**NEW** 100126RS1  
page 317



I00405  
page 385



SLM05  
page 388



I00131  
page 389



1505/24  
page 398



SOF136  
page 402



1120  
page 396



SDPVC2/3-3146  
page 421

SHOWER



L0095KIT1  
page 403



1267  
page 412



1600  
page 408



C50000/1  
page 417



**NEW** MI25WTB18  
page 263



**NEW** MI25WTP  
page 264



**NEW** MI25WTH  
page 264



**NEW** MI25WRH  
page 264

ACCESSORIES



SB1800  
Shaws® Price Book



CORVARA 55  
Victoria + Albert® Price Book



AMIATA 60  
Victoria + Albert® Price Book



AMIATA  
Victoria + Albert® Price Book

BATH FIXTURES

# MISCELO™ FINISH ACCENT OPTIONS

Five accent options and three metal finish options for fifteen possible combinations  
Handle and spout accents must match

## AVAILABLE ACCENT FINISHES



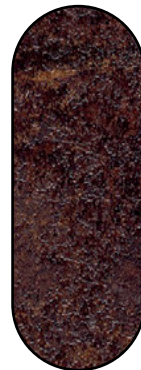
Bianco  
BL



Greystone Quarry  
GQ



Nero  
NR



Sedona  
SD



Whitewash Barnwood  
WB





APC



STN



MB

[Home](#)[Index](#)

SAN JULIO

TENERIFE

TUARIO

ACQUI

ARCANA

BELLIA

CAMPO

ECLISSI

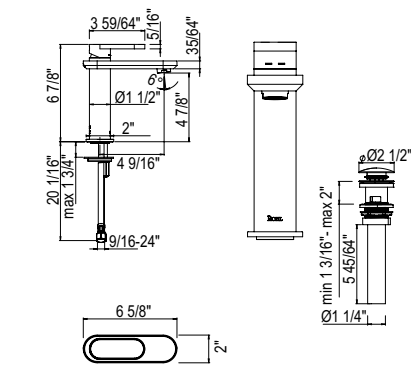
GRACELINE

LOMBARDIA

MEDA

MISSELO

PALLADIAN



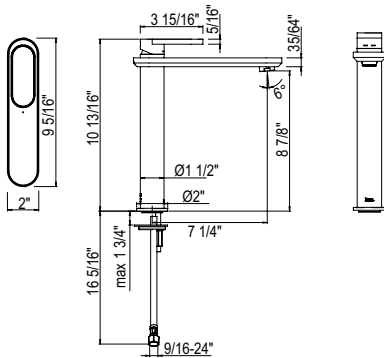
### MI01D1 Miscelo™ Single Handle Lavatory Faucet



#### Suggested Retail Price

Handle	APC	STN	MB
MI01D1BL	778	974	1010
MI01D1GQ	778	974	1010
MI01D1NR	778	974	1010
MI01D1SD	778	974	1010
MI01D1WB	778	974	1010

- 3 metal finishes and 15 insert combinations available. For mixed handle options, call Customer Care
- Dual Flow Water Saving Technology: -.9 GPM at First Stop  
— 1.2 GPM at Second Stop (CEC compliant)
- Push drain included with faucet



### MI02D1 Miscelo™ Single Handle Tall Lavatory Faucet



#### Suggested Retail Price

Handle	APC	STN	MB
MI02D1BL	977	1222	1271
MI02D1GQ	977	1222	1271
MI02D1NR	977	1222	1271
MI02D1SD	977	1222	1271
MI02D1WB	977	1222	1271

- 3 metal finishes and 15 insert combinations available. For mixed handle options, call Customer Care
- Dual Flow Water Saving Technology:  
— .9 GPM at First Stop  
— 1.2 GPM at Second Stop (CEC compliant)

See Lavatory Drains tab for pricing.



5445

5447

6442

7444

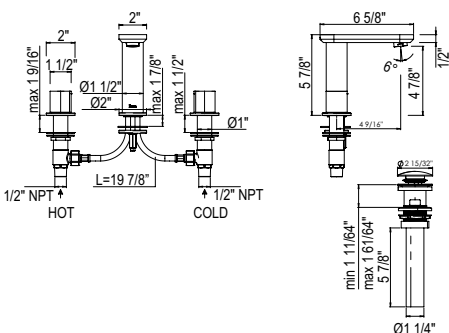
8446

CC231OFWO

0127DOF

CNZREMOTE

U.6702



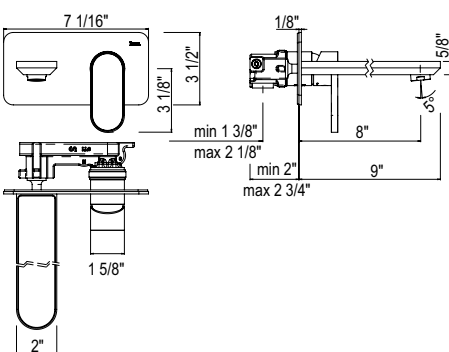
### MI09D3 Miscelo™ Widespread Lavatory Faucet



#### Suggested Retail Price

Handle	APC	STN	MB
MI09D3BL	878	1098	1141
MI09D3GQ	878	1098	1141
MI09D3NR	878	1098	1141
MI09D3SD	878	1098	1141
MI09D3WB	878	1098	1141

- 3 metal finishes and 15 insert combinations available. For mixed handle options, call Customer Care
- 1.2 GPM at 60 PSI (CEC compliant)
- Push drain included with faucet



### MI01W2 Miscelo™ Wall Mount Single Handle Lavatory Faucet



#### Suggested Retail Price

Handle	APC	STN	MB
MI01W2BL	998	1248	1297
MI01W2GQ	998	1248	1297
MI01W2NR	998	1248	1297
MI01W2SD	998	1248	1297
MI01W2WB	998	1248	1297

- 3 metal finishes and 15 insert combinations available. For mixed handle options, call Customer Care
- 1.2 GPM at 60 PSI (CEC compliant)

See Lavatory Drains tab for pricing.



5445

5447

6442

7444

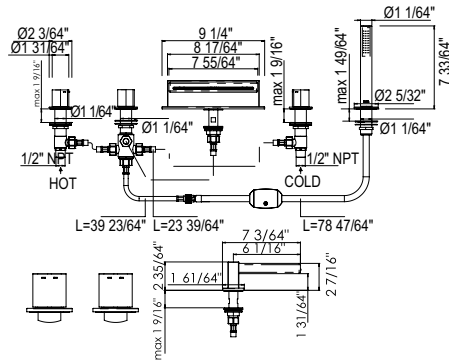
8446

CC231OFWO

0127DOF

CNZREMOTE

U.6702



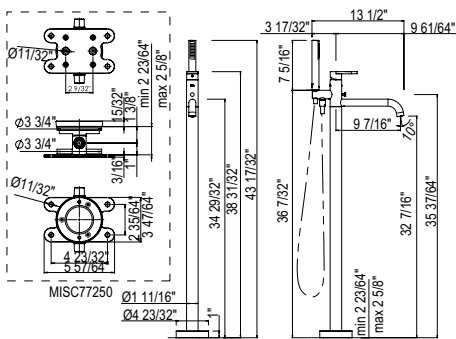
**MI05D5 Miscelo™ 5-Hole Deck Mount Tub Filler**



**Suggested Retail Price**

Handle	APC	STN	MB
MI05D5BL	2198	2748	2857
MI05D5GQ	2198	2748	2857
MI05D5NR	2198	2748	2857
MI05D5SD	2198	2748	2857
MI05D5WB	2198	2748	2857

- 3 metal finishes and 15 insert combinations available. For mixed handle options, call Customer Care
- Single-function anti-calcium handshower at 1.75 GPM at 60 PSI
- 6 GPM at 60 PSI (CEC compliant)
- 1/2" female NPT inlet



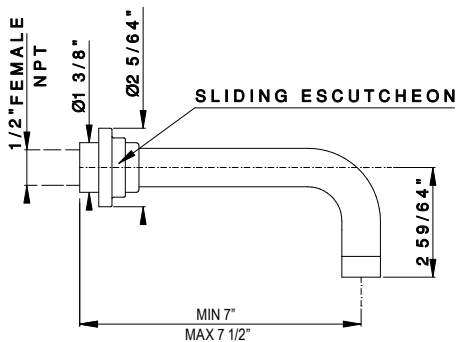
**MI05F1 Miscelo™ Single Hole Floor Mount Tub Filler**



**Suggested Retail Price**

Handle	APC	STN	MB
MI05F1BL	2398	2998	3117
MI05F1GQ	2398	2998	3117
MI05F1NR	2398	2998	3117
MI05F1SD	2398	2998	3117
MI05F1WB	2398	2998	3117

- 3 metal finishes and 15 insert combinations available. For mixed handle options, call Customer Care
- Single-function anti-calcium handshower at 1.75 GPM at 60 PSI
- 5 GPM at 60 PSI (CEC compliant)
- Rough valve sold separately - Order MISC77250 floor tub filler rough valve: \$278



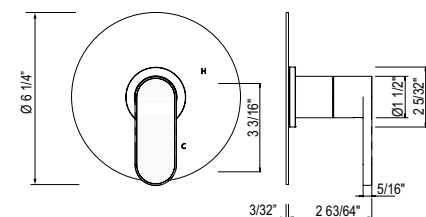
**A2203 Lombardia® Wall Mount Tub Spout**



**Suggested Retail Price**

	APC	PN	STN	MB	TCB	ULB
A2203	285	342	379	379	404	404

- 6 GPM at 60 PSI
- 1/2" female NPT inlet



**MI10W1 Miscelo™ 1/2" Pressure Balance Trim without Diverter**



**Suggested Retail Price**

Handle	APC	STN	MB
MI10W1BL	448	560	582
MI10W1GQ	448	560	582
MI10W1NR	448	560	582
MI10W1SD	448	560	582
MI10W1WB	448	560	582

- 3 metal finishes and 15 insert combinations available. For mixed handle options, call Customer Care
- Temperature control only
- 1 function
- Rough valve sold separately - Order RCT-11/2" Pressure balance rough: \$183



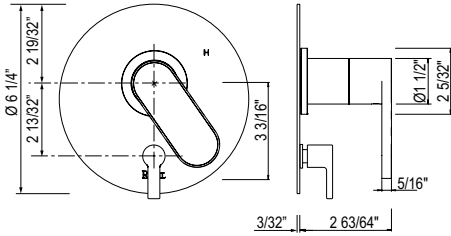
APC



STN

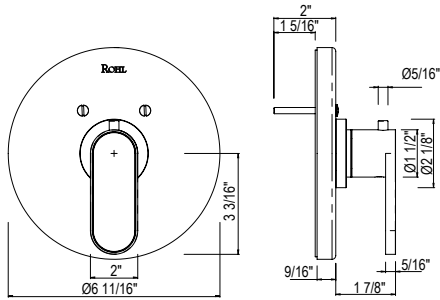


MB

**MI11W1 Miscelo™ 1/2" Pressure Balance Trim with Diverter****Suggested Retail Price**

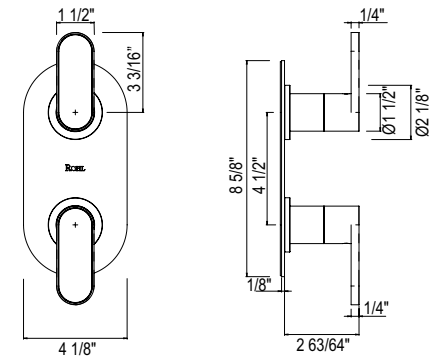
Handle	APC	STN	MB
MI11W1BL	548	685	712
MI11W1GQ	548	685	712
MI11W1NR	548	685	712
MI11W1SD	548	685	712
MI11W1WB	548	685	712

- 3 metal finishes and 15 insert combinations available. For mixed handle options, call Customer Care
- Temperature control with diverter
- 2 function
- Rough valve sold separately - Order RDD-2 1/2" Pressure balance rough: \$294

**MI13W1 Miscelo™ 3/4" Thermostatic Trim without Volume Control****Suggested Retail Price**

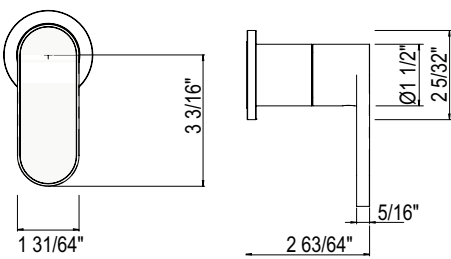
Handle	APC	STN	MB
MI13W1BL	628	785	816
MI13W1GQ	628	785	816
MI13W1NR	628	785	816
MI13W1SD	628	785	816
MI13W1WB	628	785	816

- 3 metal finishes and 15 insert combinations available. For mixed handle options, call Customer Care
- Temperature control only
- Rough valve sold separately - Order 1005N 3/4" thermostatic rough valve: \$333
- Volume control(s) required

**MI12W2 Miscelo™ 1/2" Thermostatic Trim with Diverter****Suggested Retail Price**

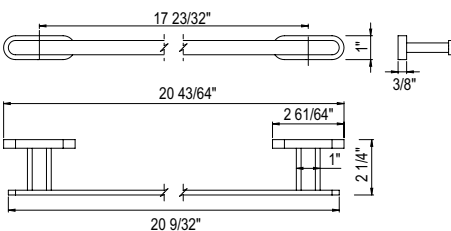
Handle	APC	STN	MB
MI12W2BL	658	823	855
MI12W2GQ	658	823	855
MI12W2NR	658	823	855
MI12W2SD	658	823	855
MI12W2WB	658	823	855

- Temperature control with diverter and up to 5 functions
- Rough valve sold separately. Select one:- Order R1051BV 1/2" thermostatic 1 function rough valve: \$404
  - Order R1052BD 1/2" thermostatic 2 function rough valve: \$405
  - Order R1053BD 1/2" thermostatic 3 function rough valve: \$472
  - Order R1055BD 1/2" thermostatic 5 function rough valve: \$472

**MI18W1 Miscelo™ Trim For Volume Control And Diverter****Suggested Retail Price**

Handle	APC	STN	MB
MI18W1BL	198	248	257
MI18W1GQ	198	248	257
MI18W1NR	198	248	257
MI18W1SD	198	248	257
MI18W1WB	198	248	257

- 3 metal finishes and 15 insert combinations available. For mixed handle options, call Customer Care
- Volume control or diverter only
- Rough valve sold separately. Select one: - Order R1040R 3/4" volume control rough valve: \$144
  - Order R1062BO 3-way dedicated diverter rough valve: \$329

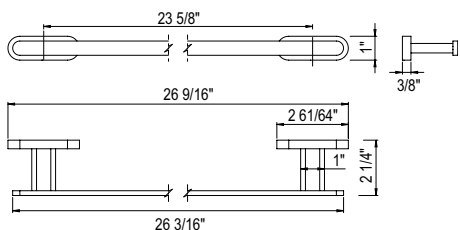
**MI25WTB18 Miscelo™ 18" Towel Bar****Suggested Retail Price**

	APC	STN	MB
MI25WTB18	128	160	166

- Length cannot be cut down



## MI25WTB24 Miscelo™ 24" Towel Bar



NEW

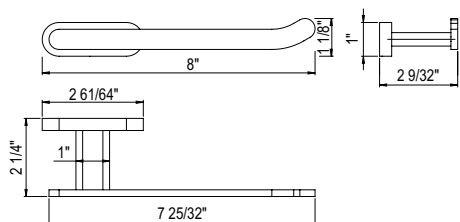
## Suggested Retail Price

	APC	STN	MB
MI25WTB24	148	185	192



- Length cannot be cut down

## MI25WTP Miscelo™ Toilet Paper Holder



NEW

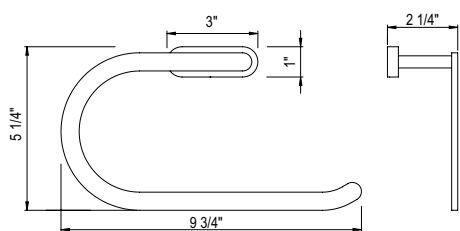
## Suggested Retail Price

	APC	STN	MB
MI25WTP	98	123	127



- There's no need to compromise on design in this essential space
- Accommodates oversized TP rolls

## MI25WTH Miscelo™ Towel Holder



NEW

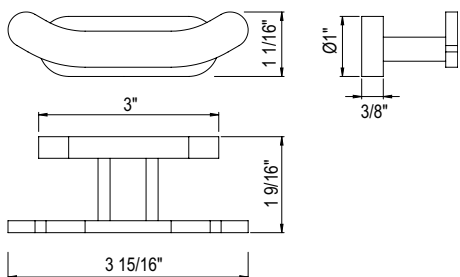
## Suggested Retail Price

	APC	STN	MB
MI25WTH	118	148	153



- Elegantly display bath towels in a coordinated fashion with other accessories

## MI25WRH Miscelo™ Robe Hook



NEW

## Suggested Retail Price

	APC	STN	MB
MI25WRH	78	98	101



- Holds one robe or towel close to your shower or bathing space





### MISCELO™ PRESSURE BALANCE SHOWER OPTION 1

Model	Description	Suggested Retail Price
		Polished Chrome
MI10W1BL	Trim	448
B00102	Handshower	154
1650	Handshower Bar	341
33640	Outlet	93
16295	Hose	53
RCT-1	Rough	183
<b>Total Package List Price With Roughs</b>		<b>1,272</b>

**Note:** Sample configuration priced in Polished Chrome. Other configurations and finishes available. Complete your Shower experience by including one of our decorative drain options.



### MISCELO™ PRESSURE BALANCE SHOWER OPTION 2

Model	Description	Suggested Retail Price
		Polished Chrome
MI11W1BL	Trim	548
WI0196	Showerhead	243
1120/12	Shower Arm	73
B00102	Handshower	154
1650	Handshower Bar	341
33640	Outlet	93
16295	Hose	53
RDD-2	Rough	294
<b>Total Package List Price With Roughs</b>		<b>1,799</b>

**Note:** Sample configuration priced in Polished Chrome. Other configurations and finishes available. Complete your Shower experience by including one of our decorative drain options.



**MISCELO™ 1/2" THERMOSTATIC SHOWER OPTION 1**

Suggested Retail Price

Model	Description	Polished Chrome
MI12W2BL	Trim	658
I00405	Showerhead	432
1120/12	Shower Arm	73
B00102	Handshower	154
1650	Handshower Bar	341
33640	Outlet	93
16295	Hose	53
<b>Total Package List Price With Roughs</b>		<b>2,276</b>
R1055BD	Rough	472
<b>Total Package List Price With Roughs</b>		<b>2,209</b>

**Note:** Sample configuration priced in Polished Chrome. Other configurations and finishes available. Complete your Shower experience by including one of our decorative drain options.



**MISCELO™ 1/2" THERMOSTATIC SHOWER OPTION 2**

Suggested Retail Price

Model	Description	Polished Chrome
MI12W2BL	Trim	658
I00405	Showerhead	432
1120/12	Shower Arm	73
SLM03	Ceiling Showerhead	726
1505/3	Ceiling Shower Arm	111
B00102	Handshower	154
1650	Handshower Bar	341
33640	Outlet	93
16295	Hose	53
<b>Total Package List Price With Roughs</b>		<b>3,113</b>
R1055BD	Rough	472
<b>Total Package List Price With Roughs</b>		<b>3,113</b>

**Note:** Sample configuration priced in Polished Chrome. Other configurations and finishes available. Complete your Shower experience by including one of our decorative drain options.



APC



STN



MB

**MISCELO™ 1/2" THERMOSTATIC SHOWER OPTION 3**

Suggested Retail Price

Model	Description	Polished Chrome
MI12W2BL	Trim	658
I00405	Showerhead	432
1120/12	Shower Arm	73
B00102	Handshower	154
CD8000	Handshower Bracket	154
16295	Hose	53
A2203	Tub Spout	285
R1055BD	Rough	472
<b>Total Package List Price With Roughs</b>		<b>2,281</b>
R1053BD	Rough (No Share)	472
<b>Total Package List Price With Roughs</b>		<b>2,281</b>

**Note:** Sample configuration priced in Polished Chrome. Other configurations and finishes available. Complete your Shower experience by including one of our decorative drain options.

**MISCELO™ 3/4" THERMOSTATIC SHOWER OPTION 1**

Suggested Retail Price

Model	Description	Polished Chrome
MI13W1BL	Trim	628
I00405	Showerhead	432
1120/12	Shower Arm	73
B00102	Handshower	154
1650	Handshower Bar	341
33640	Outlet	93
16295	Hose	53
MI18W1 (x3)	Volume Controls (x3)	594
I00124 (x2)	Body Sprays (x2)	232
1005N	Rough	333
R1040R (x3)	Volume Control Rough (x3)	432
<b>Total Package List Price With Roughs</b>		<b>3,365</b>

**Note:** Sample configuration priced in Polished Chrome. Other configurations and finishes available. Complete your Shower experience by including one of our decorative drain options.



# PALLADIAN®

Spectacular arches and classical proportions define the famous Palladian window, created by Renaissance architect Andrea Palladio. To this day, the style makes an impression of drama and elegance. The Palladian® Bath Collection echoes the show-stopping beauty of its namesake. The design has a modern edge reminiscent of Art Deco. The nuanced arc of the neck and strong angles of the handles and base reflect light with shine and luster. Palladian makes a striking impact in baths with a transitional, modern, or even traditional feel.



A1908LMPN

## Handle Options



*Metal Lever*  
LM



*Cross Handle*  
XM

## Available Finishes:



*Polished Chrome*  
APC



*Polished Nickel*  
PN



*Satin Nickel*  
STN



*Italian Brass*  
IB



*Tuscan Brass®*  
TCB



*Satin Unlacquered Brass*  
SUB

*See product page for available finishes*



APC



PN



STN



IB



TCB



SUB

FAUCETS



A8800  
page 272



A1808  
page 272



A1908  
page 272

TUB FILLERS



A1904  
page 272



N1987  
page 273



AKIT1901N  
page 273



A1901  
page 273

SHOWER TRIMS



A1910  
page 274



A2910N  
page 274



A4814  
page 275



A4864  
page 275

SHOWER PACKAGES

PRESSURE BALANCE

1/2" THERMOSTATIC

3/4" THERMOSTATIC



page 278



page 278



page 279



page 279



page 280



page 280



LM



XM

# COMPLEMENTARY ITEMS

See product page for available finishes.

 Home

 Index



**SLM03**  
page 388



**1070/8**  
page 388



**I00131**  
page 389



**I00405**  
page 385



**1510/3**  
page 397



**B0315**  
page 400



**SOF136**  
page 402



**SDPVC2/3-3146**  
page 421



**D19000/3**  
page 409



**1282**  
page 412



**D800/1N**  
page 408



**24995**  
page 419



**A6886/24**  
page 276



**A6892**  
page 277



**A6885**  
page 277



**A6881**  
page 277



**SB1814**  
Shaws® Price Book



**U.2830**  
Perrin & Rowe® Price Book



**RADFORD 51**  
Victoria + Albert® Price Book



**WORCESTER**  
Victoria + Albert® Price Book

SHOWER

ACCESSORIES

BATH FIXTURES

SAN JULIO

TENERIFE

TUARIO

ACQUI

ARCANA

BELLIA

CAMPO

ECLISSI

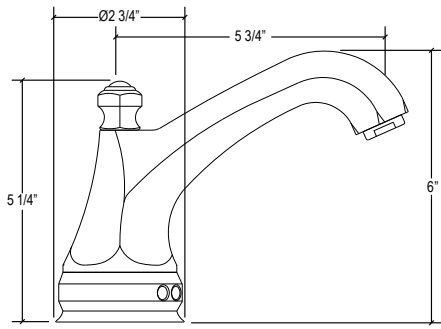
GRACELINE

LOMBARDIA

MEDA

MISCELO

PALLADIAS



**A8800 Touchless Lavatory Faucet**



**Suggested Retail Price**

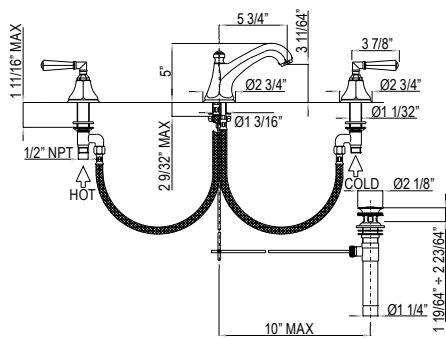
	APC	PN	STN	IB	TCB
A8800	-2	1898	2277	2373	2695 2695

- May not be suitable for installation on pedestal sinks
- ADA compliant
- 1.2 GPM at 60 PSI (CEC compliant)
- Solenoid/sensor control box is installed below the sink with rotating ceramic cartridge valve for proportional hot and cold water mixing. Dimensions are 6" wide, 5" high, 3 3/8" deep. You must have room under the counter for proper installation.
- Drain sold separately. See drain options below and Lavatory Drain tab for pricing

See Lavatory Drains tab for pricing.



5445 5447 6442 7444 8446 CC2310FWO 0127DOF CNZREMOTE U.6702



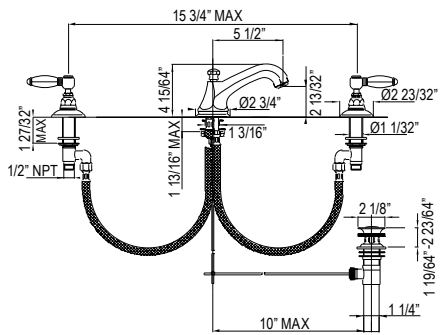
**A1908 Palladian® Widespread Lavatory Faucet**

**Suggested Retail Price**

Handle	APC	PN	STN	IB	SUB	TCB
A1908LM	-2	1136	1363	1479	1612	1612 1612
A1908XM	-2	1248	1497	1624	1772	1772 1772



- Lift rod drain assembly included with faucet
- 1.2 GPM at 60 PSI (CEC compliant)



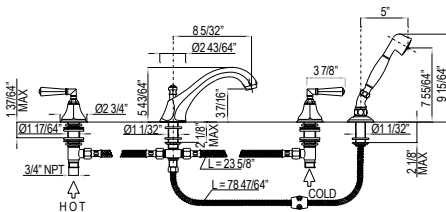
**A1808 Palladian® Widespread Lavatory Faucet**

**Suggested Retail Price**

Handle	APC	PN	STN	IB	TCB
A1808LH	-2	1014	1217	1267	1440 1440



- Lift rod drain assembly included with faucet
- 1.2 GPM at 60 PSI (CEC compliant)



**A1904 Palladian® 4-Hole Deck Mount Tub Filler**

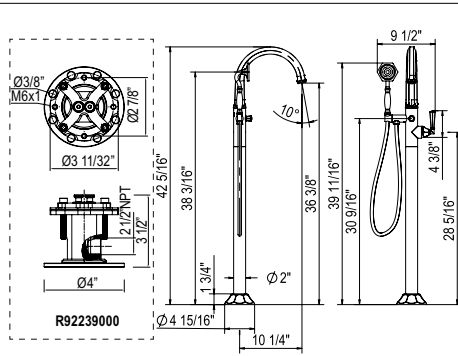
**Suggested Retail Price**

Handle	APC	PN	STN	IB	SUB	TCB
A1904LM	-	2079	2495	2702	2952	2952 2952



- Single-function anti-calcium handshower at 1.8 GPM at 60 PSI
- 9 GPM at 60 PSI (CEC compliant)
- 3/4" female NPT inlet
- Matching lavatory faucet A1908





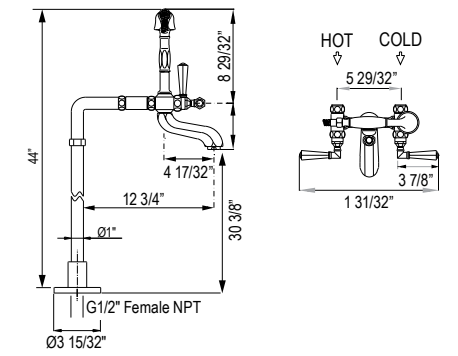
**N1987 Palladian® Single Hole Floor Mount Tub Filler Trim**



**Suggested Retail Price**

Handle	APC	PN	STN	IB
N1987LM __ _ TO	2049	2459	2627	2911

- Single-function anti-calcium handshower at 1.8 GPM at 60 PSI
- 6 GPM at 60 PSI (CEC compliant)
- 1/2" female NPT inlet
- Rough valve sold separately  
— Order R922390000 floor rough valve: \$608
- Remote thermostatic valve may be needed; verify local code requirements



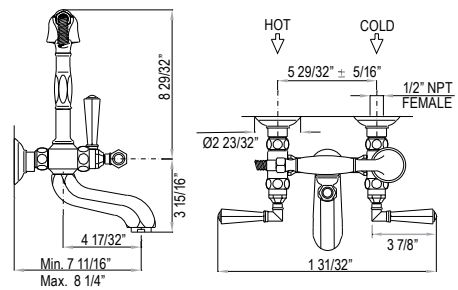
**AKIT1901N Palladian® Floor Mount Tub Filler**



**Suggested Retail Price**

Handle	APC	PN	STN	IB	TCB
AKIT1901NLM __ _	2969	3563	4001	4482	4284
AKIT1901NXM __ _	3027	3632	4078	4562	4365

- Single-function anti-calcium handshower at 1.8 GPM at 60 PSI
- 8 GPM at 60 PSI (CEC compliant)
- 1/2" female NPT inlet
- 2" straight union extensions available, order part # C7205EXT+FINISH for a set of two.



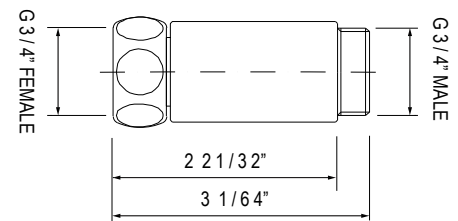
**A1901 Palladian® Exposed Wall Mount Tub Filler**



**Suggested Retail Price**

Handle	APC	PN	STN	IB	TCB
A1901LM __ _	1574	1889	2052	2237	2237
A1901XM __ _	1632	1958	2130	2317	2317

- Single-function anti-calcium handshower at 1.8 GPM at 60 PSI
- 10 GPM at 60 PSI (CEC compliant)
- 1/2" female NPT inlet
- If the deck unions ARO0380 or the floor pillar legs ZA386 are used, you MUST include the adaptor C5574EXT. Please allow for an extra 2 5/8" in the length. This may affect your rough-in dimensions.
- 2" straight union extensions available, order part # C7205EXT+FINISH for a set of two.



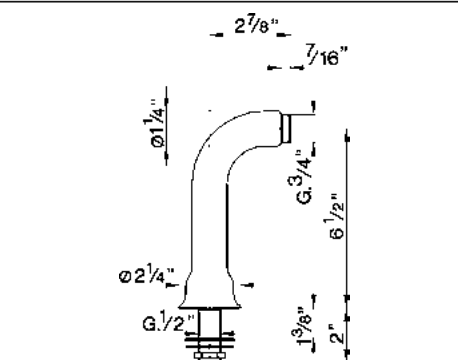
**C5574EXT Union Adaptors**



**Suggested Retail Price**

Handle	APC	PN	STN	IB	TCB
C5574EXT __ _	189	189	242	242	242

- 3/4" female NPT inlet
- Allow for an extra 2 5/8" in length. This may affect your rough-in dimensions.



**ARO0380 Deck Unions**



**Suggested Retail Price**

Handle	APC	PN	STN	IB	TCB
ARO0380- __ _	549	659	703	780	780

- 1/2" female NPT inlet
- Order C5574EXT for use with A1401, A1901, A2701

SAN JULIO

TENERIFE

TUARIO

ACQUI

ARCANA

BELLIA

CAMPO

ECLISSI

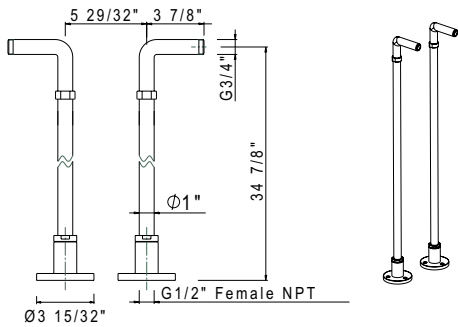
GRACELINE

LOMBARDIA

MEDA

MISCELO

PALLADIAS



**ZA386 Floor Pillar Unions**



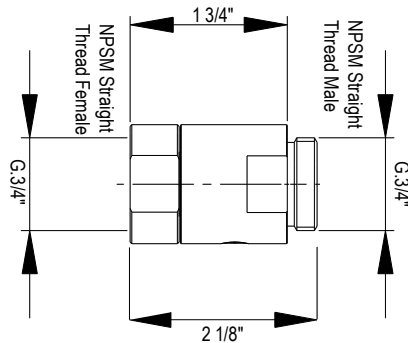
**Suggested Retail Price**

	APC	PN	STN	IB	TCB
ZA386-__	1220	1464	1725	2021	1824

- Cannot be cut down
- 1/2" female NPT inlet
- Extra horizontal reach union adaptors available, order C5574EXT
- Optional support bracket or stanchion not included with floor legs, order separately as ZZ940830 with finish

ACQUI

ARCANA



**ZA1038402 Floor Pillar Unions With Shut-Off Valves**



**Suggested Retail Price**

	APC	STN	PN	TCB	IB
ZA10384021-__	205				
ZA1038402A-__		263			
ZA1038402B-__			246		
ZA1038402V-__				292	
ZA1038402Z-__					292

- Fits ZA386 floor pillar legs

BELLIA

CAMPO

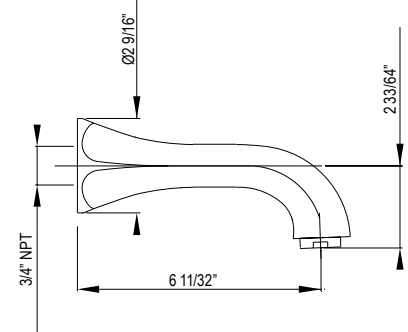
**A1803 Palladian® Wall Mount Tub Spout**

**Suggested Retail Price**

	APC	PN	STN	IB	SUB	TCB
A1803__	214	256	272	303	303	303



- 6 GPM at 60 PSI
- 3/4" female NPT inlet
- If 1/2" required, you may purchase a 3/4" x 1/2" nipple at any hardware store



GRACELINE

LOMBARDIA

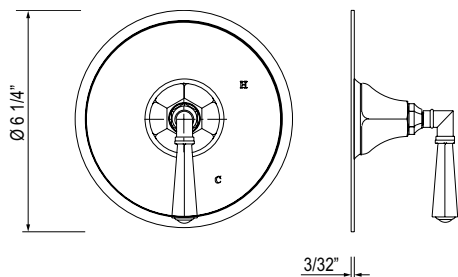
**A1910 Palladian® 1/2" Pressure Balance Trim Without Diverter**

**Suggested Retail Price**

Handle	APC	PN	STN	IB	TCB
A1910LM__	506	607	646	733	719
A1910XM__	565	678	725	816	802



- Temperature control only
- 1 function
- Rough valve sold separately  
— Order RCT-1/2" Pressure balance rough: \$183



MEDA

MISCELO

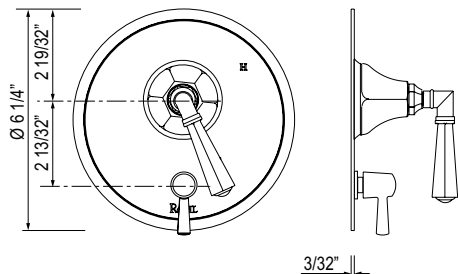
**A2910N Palladian® 1/2" Pressure Balance Trim With Diverter**

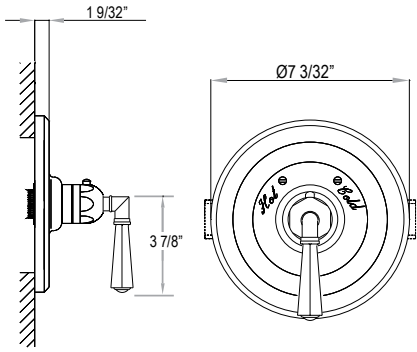
**Suggested Retail Price**

Handle	APC	PN	STN	IB	TCB
A2910NLM__	580	696	727	846	824
A2910NXM__	639	767	805	930	907



- Temperature control with diverter
- 2 function
- Rough valve sold separately  
— Order RDD-2 1/2" Pressure balance rough: \$294





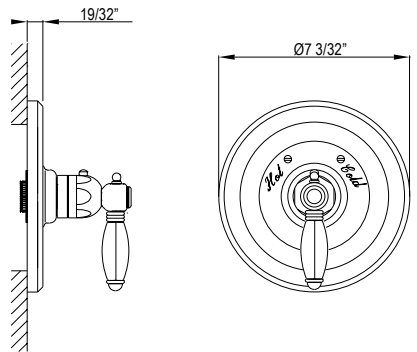
### A4814 Palladian® 3/4" Thermostatic Trim Without Volume Control



#### Suggested Retail Price

Handle	APC	PN	STN	IB	SUB	TCB
A4814LM	609	731	787	866	865	866
A4814XM	667	800	865	948	947	948

- Temperature control only
- Rough valve sold separately
  - Order 1005N 3/4" thermostatic rough valve: \$333
- Volume control(s) required



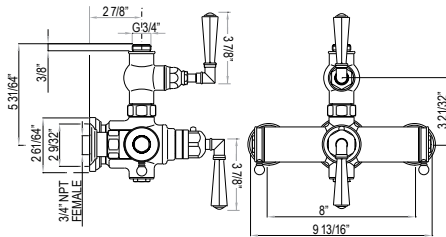
### A4914LH Palladian® 3/4" Thermostatic Trim Without Volume Control



#### Suggested Retail Price

Handle	APC	PN	STN	IB	TCB
A4914LH	597	716	746	847	847

- Temperature control only
- Rough valve sold separately
  - Order 1005N 3/4" thermostatic rough valve: \$333
- Volume control(s) required



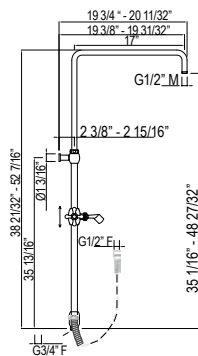
### A4817 Palladian® Exposed Therm Valve with Volume and Temperature Control



#### Suggested Retail Price

Handle	APC	PN	STN	IB	TCB
A4817LM	2526	3318	3924	5049	5049
A4817XM	2583	3393	4012	5161	5161

- Temperature and volume control
- 16 GPM at 45 PSI
- Must order 1560 riser to connect to outlet



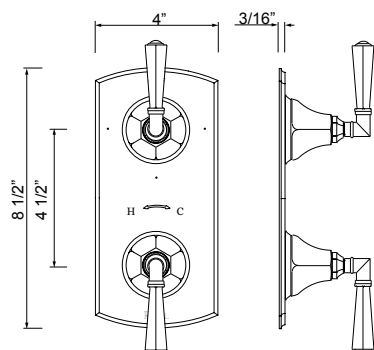
### 1560 Riser With Diverter, Hose And Sliding Handshower Holder



#### Suggested Retail Price

	APC	PN	STN	IB	TCB
1560	1319	1583	1753	1873	1873

- Adjustable height. Upper riser can recess into lower riser and swivel.
- Must order showerhead and handshower separately



### A4864 Palladian® 1/2" Thermostatic Trim with Diverter



#### Suggested Retail Price

Handle	APC	PN	STN	SUB	TCB
A4864LM	894	1072	1126	1269	1269
A4864XM	1011	1213	1283	1435	1435

- Temperature control with diverter
- Up to 5 functions
- Rough valve sold separately. Select one:
  - Order R1051BV 1/2" thermostatic 1 function rough valve: \$404
  - Order R1052BD 1/2" thermostatic 2 function rough valve: \$405
  - Order R1053BD 1/2" thermostatic 3 function rough valve: \$472
  - Order R1055BD 1/2" thermostatic 5 function rough valve: \$472



SAN JULIO

TENERIFE

TUARIO

ACQUI

ARCANA

BELLIA

CAMPO

ECLISSI

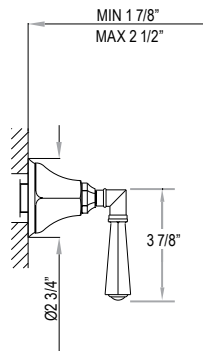
GRACELINE

LOMBARDIA

MEDA

MISCELO

PALLADIUS



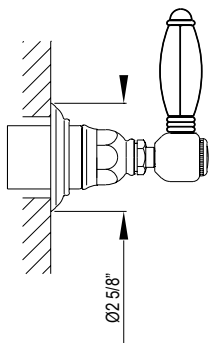
**A4812 Palladian® Trim For Volume Control And Diverter**



**Suggested Retail Price**

Handle	APC	PN	STN	IB	SUB	TCB
A4812LM __ TO	354	424	459	503	502	503
A4812XM __ TO	412	495	537	587	586	587

- Volume control or diverter only
- Rough valve sold separately. Select one:
  - Order R1040R 3/4" volume control rough valve: \$144
  - Order R1062BO 4-port, 3-way dedicated diverter rough valve: \$329



**A4912LH Palladian® Trim For Volume Control And Diverter**

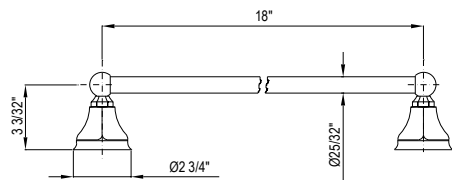


**Suggested Retail Price**

Handle	APC	PN	STN	IB	TCB
A4912LH __ TO	347	416	433	492	492

- Volume control or diverter only
- Rough valve sold separately. Select one:
  - Order R1040R 3/4" volume control rough valve: \$144
  - Order R1062BO 4-port, 3-way dedicated diverter rough valve: \$329

**A6886/18 Palladian® 18" Towel Bar**



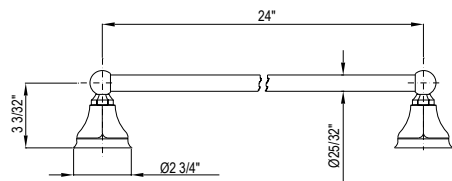
**Suggested Retail Price**

	APC	PN	STN	IB	SUB	TCB
A6886/18 __	511	614	664	726	726	726



- Length can be cut down

**A6886/24 Palladian® 24" Towel Bar**



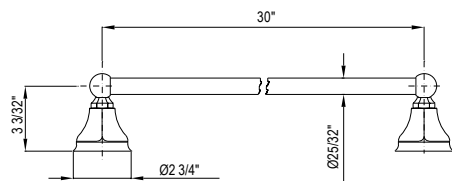
**Suggested Retail Price**

	APC	PN	STN	IB	SUB	TCB
A6886/24 __	533	640	694	757	757	757



- Length can be cut down

**A6886/30 Palladian® 30" Towel Bar**

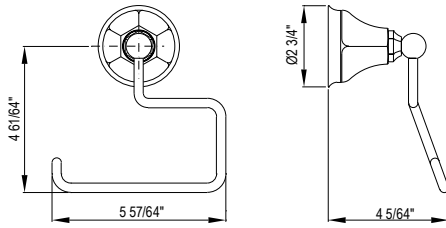


**Suggested Retail Price**

	APC	PN	STN	IB	TCB
A6886/30 __	566	679	731	803	803



- Length can be cut down



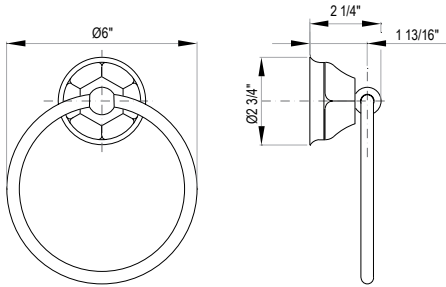
### A6892 Palladian® Toilet Paper Holder



#### Suggested Retail Price

	APC	PN	STN	IB	SUB	TCB
A6892	370	444	478	526	526	526

- There's no need to compromise on design in this essential space
- Accommodates oversized TP rolls



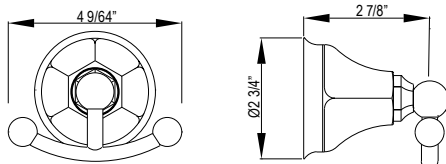
### A6885 Palladian® Towel Ring



#### Suggested Retail Price

	APC	PN	STN	IB	SUB	TCB
A6885	334	401	430	474	474	474

- Elegantly display bath towels in a coordinated fashion with other accessories



### A6881 Palladian® Double Robe Hook



#### Suggested Retail Price

	APC	PN	STN	IB	SUB	TCB
A6881	334	401	430	474	474	474

- Optimize space with this double hook for multiple robe/towel storage



LM



XM

## PALLADIAN® PRESSURE BALANCE SHOWER OPTION 1

Suggested Retail Price

Model	Description	Polished Chrome
A1910	Trim	506
B00102	Handshower	154
1230	Handshower Bar	811
1295	Outlet	102
16295	Hose	53
RCT-1	Rough	183
<b>Total Package List Price With Roughs</b>		<b>1,809</b>

**Note:** Sample configuration priced in Polished Chrome. Other configurations and finishes available. Complete your Shower experience by including one of our decorative drain options.



## PALLADIAN® PRESSURE BALANCE SHOWER OPTION 2

Suggested Retail Price

Model	Description	Polished Chrome
A2910	Trim	580
BI00701	Showerhead	506
1120/12	Shower Arm	73
B00102	Handshower	154
1230	Handshower Bar	811
1295	Outlet	102
16295	Hose	53
RDD-2	Rough	294
<b>Total Package List Price With Roughs</b>		<b>2,573</b>

**Note:** Sample configuration priced in Polished Chrome. Other configurations and finishes available. Complete your Shower experience by including one of our decorative drain options.





### PALLADIAN® 1/2" THERMOSTATIC SHOWER OPTION 1

Model	Description	Suggested Retail Price
		Polished Chrome
A4864	Trim	894
BI00701	Showerhead	506
1120/12	Shower Arm	73
B00102	Handshower	154
1230	Handshower Bar	811
1295	Outlet	102
16295	Hose	53
R1055BD	Rough	472
<b>Total Package List Price With Roughs</b>		<b>3,065</b>
R1052BD	Rough (No Share)	405
<b>Total Package List Price With Roughs</b>		<b>2,998</b>

**Note:** Sample configuration priced in Polished Chrome. Other configurations and finishes available. Complete your Shower experience by including one of our decorative drain options.

### PALLADIAN® 1/2" THERMOSTATIC SHOWER OPTION 2



Model	Description	Suggested Retail Price
		Polished Chrome
A4864	Trim	894
BI00701	Showerhead	506
1120/12	Shower Arm	73
SLM03	Ceiling Showerhead	726
1505/3	Ceiling Shower Arm	111
B00102	Handshower	154
1230	Handshower Bar	811
1295	Outlet	102
16295	Hose	53
R1055BD	Rough	472
<b>Total Package List Price With Roughs</b>		<b>3,902</b>
R1053BD	Rough (No Share)	472
<b>Total Package List Price With Roughs</b>		<b>3,902</b>

**Note:** Sample configuration priced in Polished Chrome. Other configurations and finishes available. Complete your Shower experience by including one of our decorative drain options.



LM



XM



### PALLADIAN® 1/2" THERMOSTATIC SHOWER OPTION 3

Suggested Retail Price

Model	Description	Polished Chrome
A4864	Trim	894
BI00701	Showerhead	506
1120/12	Shower Arm	73
B00102	Handshower	154
CD8000	Handshower Bracket	154
16295	Hose	53
A1803	Tub Spout	214
R1055BD	Rough	472
<b>Total Package List Price With Roughs</b>		<b>2,520</b>
R1053BD	Rough (No Share)	472
<b>Total Package List Price With Roughs</b>		<b>2,520</b>

**Note:** Sample configuration priced in Polished Chrome. Other configurations and finishes available. Complete your Shower experience by including one of our decorative drain options.

### PALLADIAN® 3/4" THERMOSTATIC SHOWER OPTION 1

Suggested Retail Price

Model	Description	Polished Chrome
A4814	Trim	609
BI00701	Showerhead	506
1120/12	Shower Arm	73
B00102	Handshower	154
1230	Handshower Bar	811
1295	Outlet	102
16295	Hose	53
A4812 (x3)	Volume Controls (x3)	1,062
24995 (x2)	Body Sprays (x2)	904
1005N	Rough	333
R1040R (x3)	Volume Control Rough (x3)	432
<b>Total Package List Price With Roughs</b>		<b>5,039</b>

**Note:** Sample configuration priced in Polished Chrome. Other configurations and finishes available. Complete your Shower experience by including one of our decorative drain options.



# QUARTILE™

The artistic movement known as Cubism is exemplified by modernist architecture of Milan that transforms space with linear structures. The Quartile™ Collection celebrates this style with geometric fixtures for the bath. A four-sided design composed of sharp contours, slender arcs, and squared-off shapes makes a decisive statement. Even the line of the spout forms a right angle with the flow of water. Authentically crafted, the Quartile Collection is equally at home with modern, industrial, and transitional design.



CU51LAPC

### Handle Options



*Metal Lever*  
L

### Available Finishes:



*Polished Chrome*  
APC



*Polished Nickel*  
PN



*Satin Nickel*  
STN

*See product page for available finishes*



FAUCETS



**CU51**  
page 284



**CUC49**  
page 284



**CUC102**  
page 285



**CU102**  
page 284



**CU351**  
page 285

TUB FILLERS



**ZA219**  
page 286



**CU24**  
page 285

SHOWER TRIMS



**CU110**  
page 286



**CU210N**  
page 286



**CU720HB**  
page 286



**CU390L**  
page 286

SHOWER PACKAGES

PRESSURE BALANCE



page 289



page 289

1/2" THERMOSTATIC



page 290



page 290

3/4" THERMOSTATIC



page 291



page 291



# COMPLEMENTARY ITEMS

See product page for available finishes.

 Home

 Index



**I00405**  
page 385



**SLM05**  
page 388



**WA1319**  
page 363



**I00597**  
page 249



**1510/3**  
page 397



**C7135**  
page 388



**A1410**  
page 163



**SDPVC2/3-3142**  
page 421



**D19000/3**  
page 409



**1266**  
page 411



**0126SBHS1**  
page 318



**L0095KIT1**  
page 403

SHOWER



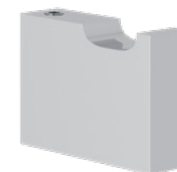
**QU102**  
page 287



**QU420**  
page 288



**QU220**  
page 288



**QU710**  
page 288

ACCESSORIES



**U.2830**  
Perrin & Rowe® Price Book



**SB1814**  
Shaws® Price Book



**NAPOLI 57**  
Victoria + Albert® Price Book



**NAPOLI**  
Victoria + Albert® Price Book

BATH FIXTURES

CLASSICLE

SAN GIOVANNI

SORIANO

TENERIFE

VERONA

VIAGGIO

VINCENT

WAVE

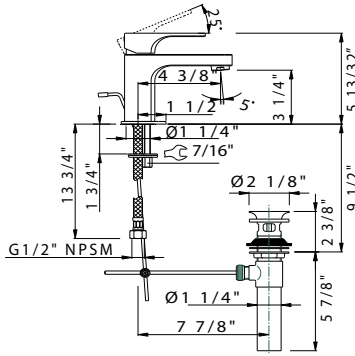
LAVATORY DRAINS

ROUGH-IN VALVES

SHOWER

CARE & MAINTENANCE

TERMS



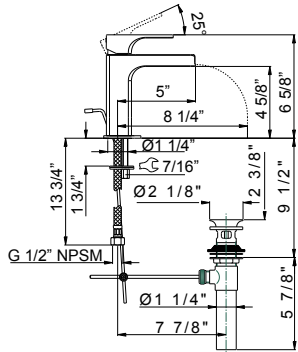
**CU51** Quartile™ Single Handle Lavatory Faucet



**Suggested Retail Price**

Handle	APC	PN	STN
CU51L-_-_-2	612	735	851

- Lift rod drain assembly included with faucet
- 1.2 GPM at 60 PSI (CEC compliant)



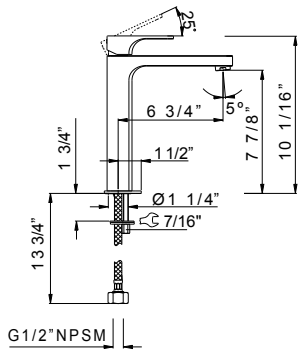
**CUC49** Quartile™ Single Handle Lavatory Faucet With Trough



**Suggested Retail Price**

Handle	APC	PN	STN
CUC49L-_-_-2	761	913	1019

- Lift rod drain assembly included with faucet
- 1.2 GPM at 60 PSI (CEC compliant)



**CU354** Quartile™ Single Handle Tall Lavatory Faucet

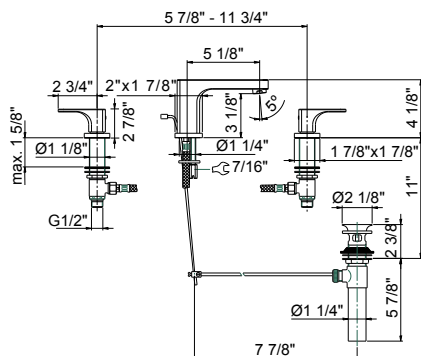
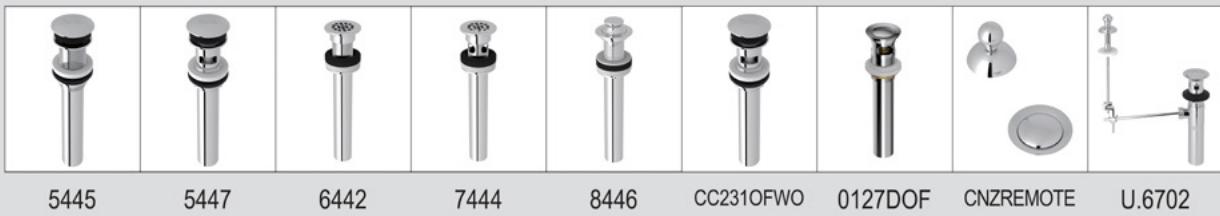


**Suggested Retail Price**

Handle	APC	PN	STN
CU354L-_-_-2	796	955	1063

- 1.2 GPM at 60 PSI (CEC compliant)
- Drain sold separately. See drain options below and Lavatory Drain tab for pricing

See Lavatory Drains tab for pricing.



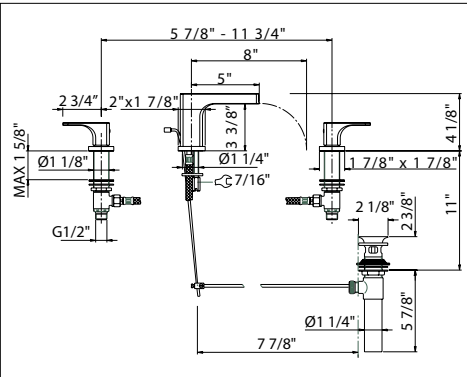
**CU102** Quartile™ Widespread Lavatory Faucet



**Suggested Retail Price**

Handle	APC	PN	STN
CU102L-_-_-2	874	1049	1190

- Lift rod drain assembly included with faucet
- 1.2 GPM at 60 PSI (CEC compliant)



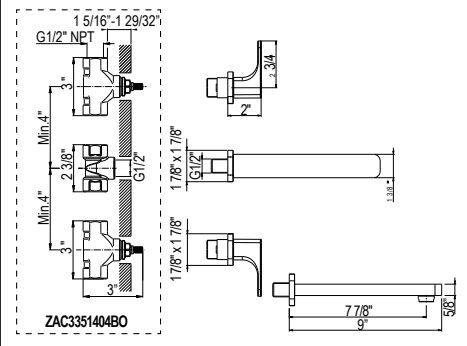
**CUC102 Quartile™ Widespread Lavatory Faucet With Trough**



- Lift rod drain assembly included with faucet
- 1.2 GPM at 60 PSI (CEC compliant)

**Suggested Retail Price**

Handle	APC	PN	STN
CUC102L-_-_-2	1025	1230	1282



**CU351 Quartile™ Wall Mount Lavatory Faucet**

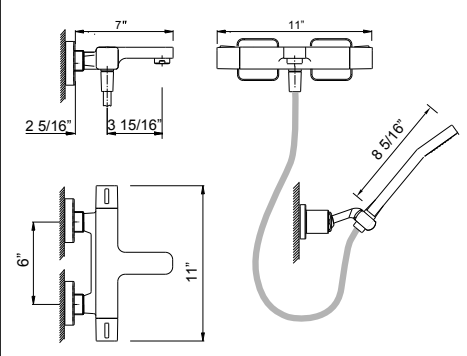
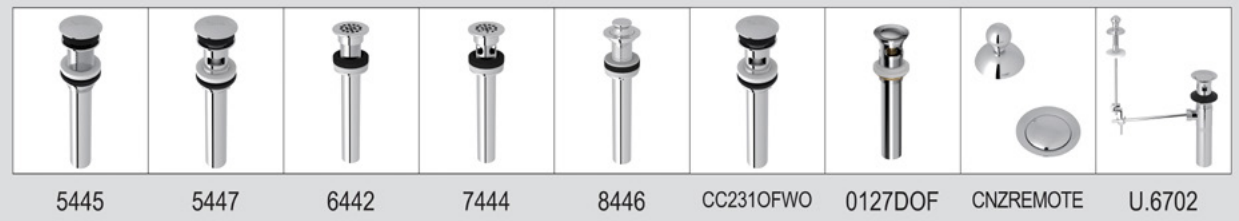


- 13/16" extension kit is ZA10055004, set of two pieces to extend both hot and cold valves: \$128
- 1.2 GPM at 60 PSI (CEC compliant)
- Rough valve sold separately — Order ZAC3351104BO wall rough valve: \$276
- Drain sold separately. See drain options below and Lavatory Drain tab for pricing

**Suggested Retail Price**

Handle	APC	PN	STN
CU351L-_-_-TO-2	556	667	1068

See Lavatory Drains tab for pricing.



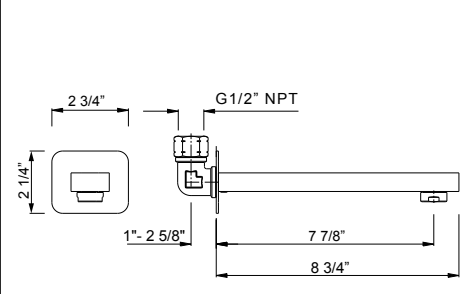
**CUKIT2123 Quartile™ Exposed Wall Mount Tub Filler**



- Single-function anti-calcium handshower at 1.8 GPM at 60 PSI
- 5 GPM at 60 PSI (CEC compliant)
- 3/4" female NPT inlet

**Suggested Retail Price**

Handle	APC	PN	STN
CUKIT2123HB-_-_-	1360	1632	1869



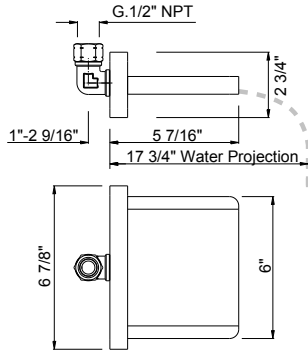
**CU24 Quartile™ Wall Mount Tub Spout**



- 6 GPM at 60 PSI
- 1/2" female NPT inlet
- Spout connection requires special rough fitting to be installed before the finished wall is complete. Spout connection and rough for wall valve are an integrated assembly. Do not set finish wall until the rough assembly is installed.

**Suggested Retail Price**

APC	PN	STN
CU24-_-_-	281	337 360



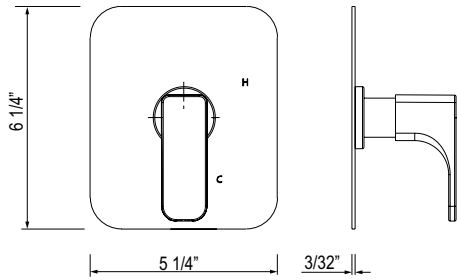
### ZA219 Quartile™ Wall Mount Tub Spout With Trough

**Suggested Retail Price**

	APC	PN	STN
ZA219- _ _ _	1278	1533	1597



- 6 GPM at 60 PSI
- 1/2" female NPT inlet
- Spout connection requires special rough fitting to be installed before the finished wall is complete. Spout connection and rough for wall valve are an integrated assembly. Do not set finish wall until the rough assembly is installed.



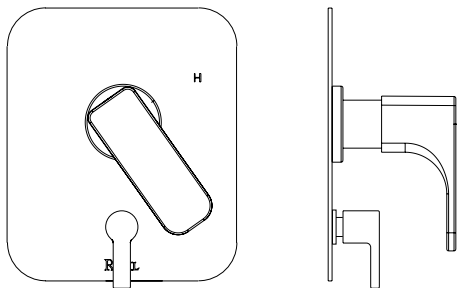
### CU110 Quartile™ 1/2" Pressure Balance Trim Without Diverter

**Suggested Retail Price**

Handle	APC	PN	STN
CU110L- _ _	405	486	537



- Temperature control only
- 1 function
- Rough valve sold separately
  - Order RCT-1 1/2" Pressure balance rough: \$183



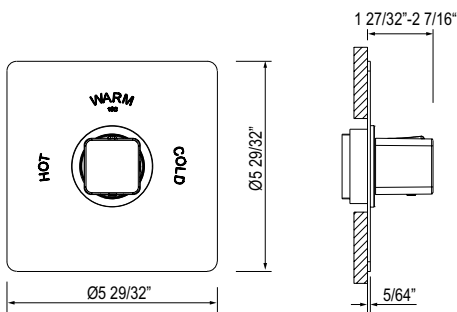
### CU210N Quartile™ 1/2" Pressure Balance Trim With Diverter

**Suggested Retail Price**

Handle	APC	PN	STN
CU210NL- _ _	479	575	635



- Temperature control with diverter
- 2 function
- Rough valve sold separately
  - Order RDD-2 1/2" Pressure balance rough: \$294



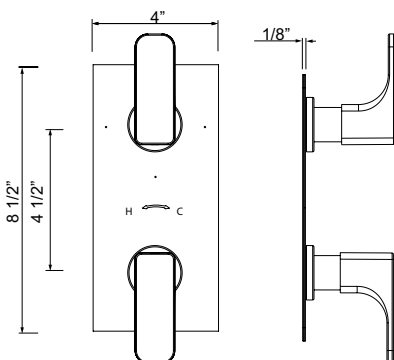
### CU720 Quartile™ 3/4" Thermostatic Trim Without Volume Control

**Suggested Retail Price**

Handle	APC	PN	STN
CU720HB- _ _ /TO	326	391	433



- Temperature control only
- Rough valve sold separately
  - Order 1005N 3/4" thermostatic rough valve: \$333
- Volume control(s) required



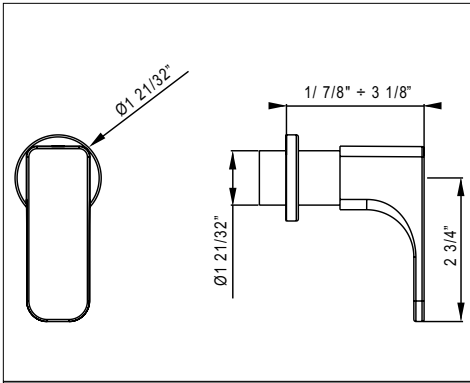
### CU390 Quartile™ 1/2" Thermostatic Trim with Diverter

**Suggested Retail Price**

Handle	APC	PN	STN
CU390L- _ _ /TO	678	814	897



- Temperature control with diverter
- Up to 5 functions
- Rough valve sold separately. Select one:
  - Order R1051BV 1/2" thermostatic 1 function rough valve: \$404
  - Order R1052BD 1/2" thermostatic 2 function rough valve: \$405
  - Order R1053BD 1/2" thermostatic 3 function rough valve: \$472
  - Order R1055BD 1/2" thermostatic 5 function rough valve: \$472



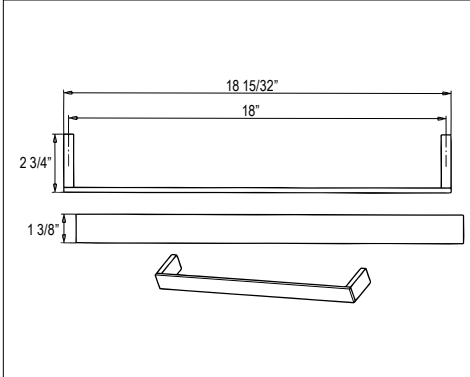
**CU195** Quartile™ Trim For Volume Control And Diverter



**Suggested Retail Price**

Handle	APC	PN	STN
CU195L-_-_-/TO	258	309	370

- Volume control or diverter only
- Rough valve sold separately. Select one:
  - Order R1040R 3/4" volume control rough valve: \$144
  - Order R1062BO 4-port, 3-way dedicated diverter rough valve: \$329



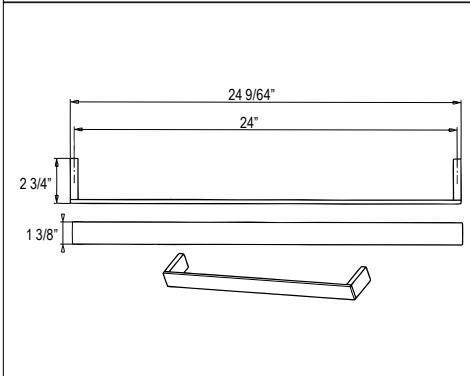
**QU101** Quartile™ 18" Towel Bar



**Suggested Retail Price**

	APC	PN	STN
QU101-_-_-	279	334	348

- Length cannot be cut down



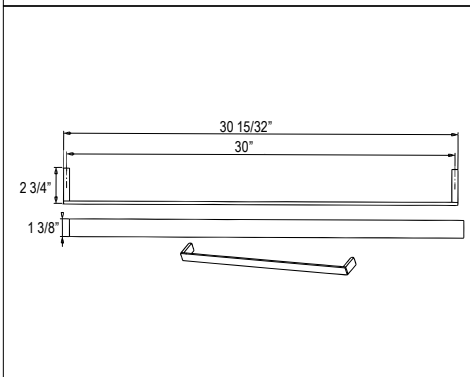
**QU102** Quartile™ 24" Towel Bar



**Suggested Retail Price**

	APC	PN	STN
QU102-_-_-	341	410	427

- Length cannot be cut down



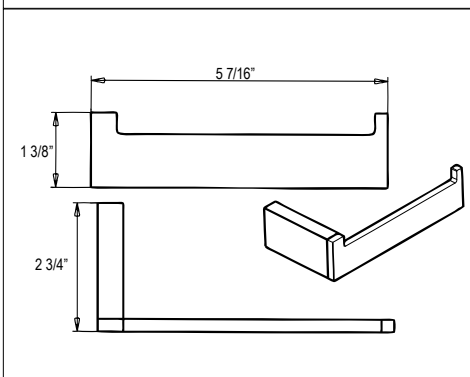
**QU103** Quartile™ 30" Towel Bar



**Suggested Retail Price**

	APC	PN	STN
QU103-_-_-	469	563	586

- Length cannot be cut down



**QU400** Quartile™ Toilet Paper Holder



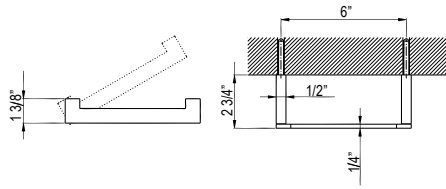
**Suggested Retail Price**

	APC	PN	STN
QU400-_-_-	160	192	200

- There's no need to compromise on design in this essential space
- Accommodates oversized toilet paper rolls



**QU420** Quartile™ Toilet Paper Holder With Lift Arm

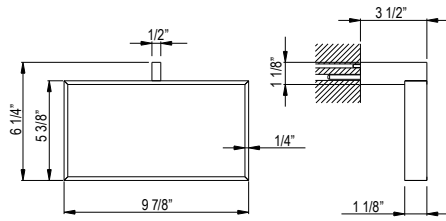


- There's no need to compromise on design in this essential space
- Accommodates oversized toilet paper rolls

**Suggested Retail Price**

	APC	PN	STN
QU420-	297	356	371

**QU220** Quartile™ Rectangular Towel Holder Ring

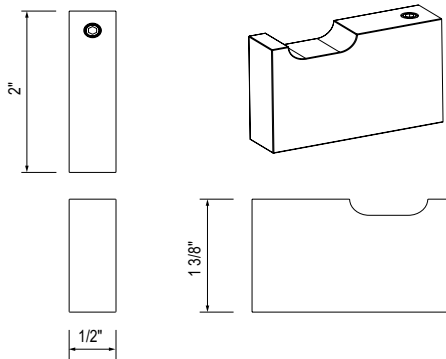


- Optional 2" x 1 1/4" rectangular wall escutcheon or back plate QU220BP available for added wall support, contact ROHL Customer Care

**Suggested Retail Price**

	APC	PN	STN
QU220-	644	773	904

**QU710** Quartile™ Robe/Towel Hook

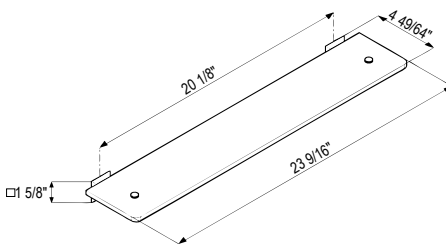


- Holds one robe or towel close to your shower or bathing space

**Suggested Retail Price**

	APC	PN	STN
QU710-	87	104	109

**VIN12** Vincent™ Wall Mount Glass Vanity Shelf

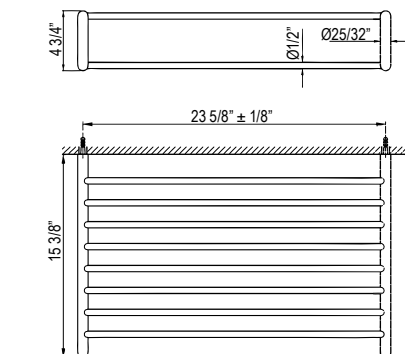


- Tempered glass

**Suggested Retail Price**

	APC	PN	STN
VIN12	263	316	329

**SY300** Lombardia® 24" Wall Mount Towel Shelf



- Ideal for storing and hanging towels in the bathroom
- Hotel style towel shelf and bar

**Suggested Retail Price**

	APC	PN	STN
SY300-	1348	1617	1878





### QUARTILE™ PRESSURE BALANCE SHOWER OPTION 1

Model	Description	Suggested Retail Price
		Polished Chrome
CU110L	Trim	405
B00188	Handshower	113
1650	Handshower Bar	341
1795	Outlet	233
16295	Hose	53
RCT-1	Rough	183
<b>Total Package List Price With Roughs</b>		<b>1,328</b>

**Note:** Sample configuration priced in Polished Chrome. Other configurations and finishes available. Complete your Shower experience by including one of our decorative drain options.



### QUARTILE™ PRESSURE BALANCE SHOWER OPTION 2

Model	Description	Suggested Retail Price
		Polished Chrome
CU210L	Trim	479
I00597	Showerhead	473
1120/12	Shower Arm	73
B00188	Handshower	113
1650	Handshower Bar	341
1795	Outlet	233
16295	Hose	53
RDD-2	Rough	294
<b>Total Package List Price With Roughs</b>		<b>2,059</b>

**Note:** Sample configuration priced in Polished Chrome. Other configurations and finishes available. Complete your Shower experience by including one of our decorative drain options.



**QUARTILE™ 1/2" THERMOSTATIC SHOWER OPTION 1**

Suggested Retail Price

Model	Description	Polished Chrome
CU390L	Trim	678
I00598	Showerhead	677
1120/12	Shower Arm	73
B00188	Handshower	113
1650	Handshower Bar	341
1795	Outlet	233
16295	Hose	53
<b>Total Package List Price With Roughs</b>		<b>2,640</b>
R1055BD	Rough	472
<b>Total Package List Price With Roughs</b>		<b>2,573</b>

**Note:** Sample configuration priced in Polished Chrome. Other configurations and finishes available. Complete your Shower experience by including one of our decorative drain options.

**QUARTILE™ 1/2" THERMOSTATIC SHOWER OPTION 2**

Suggested Retail Price

Model	Description	Polished Chrome
CU390L	Trim	678
I00598	Showerhead	677
1120/12	Shower Arm	73
SLM06	Ceiling Showerhead	745
1505/6	Ceiling Shower Arm	131
B00188	Handshower	113
1630	Handshower Bracket	143
16295	Hose	53
<b>Total Package List Price With Roughs</b>		<b>3,085</b>
R1055BD	Rough	472
<b>Total Package List Price With Roughs</b>		<b>3,085</b>

**Note:** Sample configuration priced in Polished Chrome. Other configurations and finishes available. Complete your Shower experience by including one of our decorative drain options.



### QUARTILE™ 1/2" THERMOSTATIC SHOWER OPTION 3

Suggested Retail Price

Model	Description	Polished Chrome
CU390L	Trim	678
I00598	Showerhead	677
1120/12	Shower Arm	73
B00188	Handshower	113
1650	Handshower Bar	341
1795	Outlet	233
16295	Hose	53
CU24	Tub Spout	281

R1055BD	Rough	472
---------	-------	-----

<b>Total Package List Price With Roughs</b>	<b>2,921</b>
---	--------------

R1053BD	Rough (No Share)	472
---------	------------------	-----

<b>Total Package List Price With Roughs</b>	<b>2,921</b>
---	--------------

**Note:** Sample configuration priced in Polished Chrome. Other configurations and finishes available. Complete your Shower experience by including one of our decorative drain options.

### QUARTILE™ 3/4" THERMOSTATIC SHOWER OPTION 1

Suggested Retail Price

Model	Description	Polished Chrome
CU720HB	Trim	326
I00598	Showerhead	677
1120/12	Shower Arm	73
B00188	Handshower	113
1650	Handshower Bar	341
1795	Outlet	233
16295	Hose	53
CU195L (x3)	Volume Controls (x3)	774
24960 (x2)	Body Sprays (x2)	904

1005N	Rough	333
-------	-------	-----

R1040R (x3)	Volume Control Rough (x3)	432
-------------	---------------------------	-----

<b>Total Package List Price With Roughs</b>	<b>4,259</b>
---	--------------

**Note:** Sample configuration priced in Polished Chrome. Other configurations and finishes available. Complete your Shower experience by including one of our decorative drain options.





# SAN GIOVANNI™

The crisp, sleekly minimal design of the San Giovanni™ Bath Collection is inspired by the industrial town of its namesake, host to numerous 19th century textile mills and pipe factories. The Collection is reminiscent of mechanical fittings from the late 1800s. San Giovanni smartly reinterprets these classic nut and bolt shapes into modern forms for the faucet base and handles. A graceful and luminous curve of the neck balances the industrial sensibility. San Giovanni is a creatively inventive Collection with modern and transitional appeal.



A2328LMPN

## Handle Options



*Metal Lever*  
LM



*Cross Handle*  
XM



*Five Spoke Cross Handle*  
X

## Available Finishes:



*Polished Chrome*  
APC



*Polished Nickel*  
PN



*Satin Nickel*  
STN



*Tuscan Brass®*  
TCB

See product page for available finishes



APC



PN



STN



TCB

FAUCETS



A2328  
page 296



A2307  
page 296

TUB FILLERS



A2314  
page 296



AKIT2302N  
page 296



A2302  
page 297

SHOWER TRIMS



A2310  
page 297



A3310N  
page 297



A4923  
page 297



A4564  
page 298

SHOWER PACKAGES

PRESSURE BALANCE

1/2" THERMOSTATIC

3/4" THERMOSTATIC



page 300



page 300



page 301



page 301



page 302



page 302



LM



XM



X

# COMPLEMENTARY ITEMS

See product page for available finishes.

 Home

 Index



**SLM03**  
page 388



**I00180**  
page 392



**I00405**  
page 385



**I00131**  
page 389



**1505/6**  
page 397



**C7135**  
page 398



**SOF136**  
page 402



**SDPVC2/3-3144**  
page 421



**24995**  
page 419



**1260**  
page 410



**D800/1N**  
page 408



**C72**  
page 402



**A1486LI**  
page 298



**A1492LI**  
page 299



**A1485LI**  
page 299



**A1481**  
page 299



**SB2015**  
Shaws® Price vBook



**U.2240**  
Perrin & Rowe® Price Book



**PEMBROKE 52**  
Victoria + Albert® Price Book



**PEMBROKE**  
Victoria + Albert® Price Book

SHOWER

ACCESSORIES

BATH FIXTURES

QUARTILE

SAV GIOVANE

SORIANO

TENERIFE

VERONA

VIAGGIO

VINCENT

WAVE

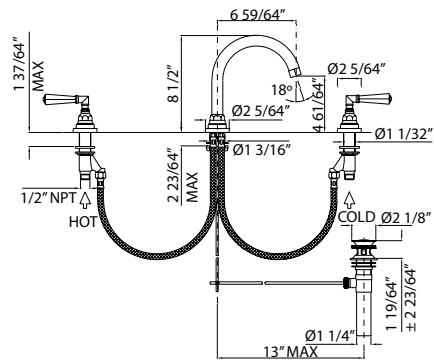
LAVATORY DRAINS

ROUGH-IN VALVES

SHOWER

CARE & MAINTENANCE

TERMS



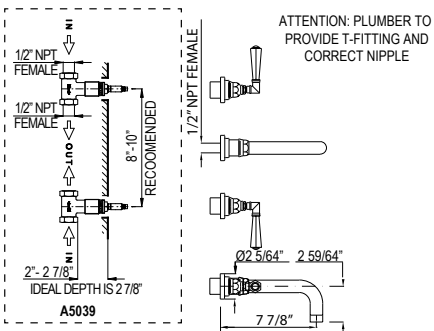
**A2328 San Giovanni™ Widespread Lavatory Faucet**



**Suggested Retail Price**

Handle	APC	PN	STN	TCB
A2328LM _ -2	779	935	1043	1108
A2328X _ -2	757	908	1017	1074
A2328XM _ -2	911	1093	1220	1293

- Lift rod drain assembly included with faucet
- 1.2 GPM at 60 PSI (CEC compliant)
- Matching tub filler A2314LM



**A2307 San Giovanni™ Wall Mount Lavatory Faucet**



**Suggested Retail Price**

Handle	APC	PN	STN	TCB
A2307LM _ -TO-2	587	704	971	1102
A2307X _ -TO-2	564	677	941	1070
A2307XM _ -TO-2	718	862	1136	1290

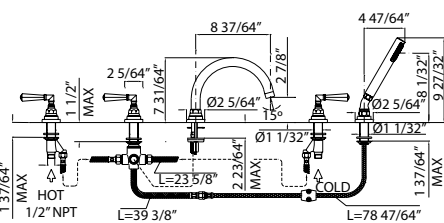
- Order two C5590 51/64" extension pieces to extend both hot and cold valves: \$72
- 1.2 GPM at 60 PSI (CEC compliant)
- Plumber to provide 1/2" male nipple T-fitting for spout installation
- Rough valve sold separately. Select one- Order A5039L wall rough valve for lever handles: \$191  
— Order A5039X wall rough valve for cross handles: \$191
- Drain sold separately. See drain options below and Lavatory Drain tab for pricing

See Lavatory Drains tab for pricing.



5445    5447    6442    7444    8446    CC2310FWO    0127DOF    CNZREMOTE    U.6702

**A2314 San Giovanni™ 5-Hole Deck Mount Tub Filler**

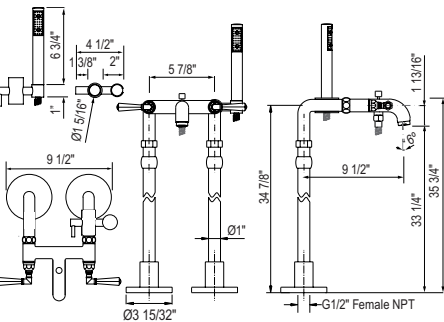


**Suggested Retail Price**

Handle	APC	PN	STN	TCB
A2314LM _ _	1838	2206	2462	2611
A2314X _ _	1815	2178	2432	2579
A2314XM _ _	1970	2364	2639	2798

- Single-function anti-calcium handshower at 1.8 GPM at 60 PSI
- 4 GPM at 60 PSI (CEC compliant)
- 1/2" female NPT inlet
- Matching lavatory faucet A2328LM

**AKIT2302N San Giovanni™ Floor Mount Tub Filler**



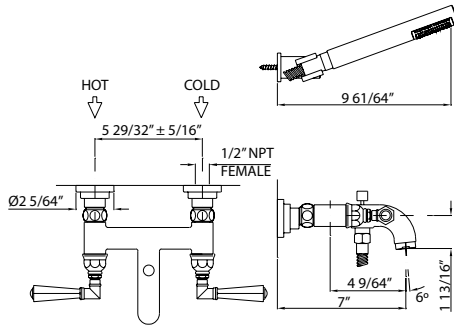
**Suggested Retail Price**

Handle	APC	PN	STN	TCB
AKIT2302NLM _ _	2397	2877	3301	3404
AKIT2302NX _ _	2374	2848	3224	3370
AKIT2302NXM _ _	2528	3034	3478	3590

- Single-function anti-calcium handshower at 1.8 GPM at 60 PSI
- 6 GPM at 60 PSI (CEC compliant)
- 1/2" female NPT inlet
- 2" straight union extensions available, order part # C7205EXT+FINISH for a set of two.



**A2302 San Giovanni™ Exposed Wall Mount Tub Filler**

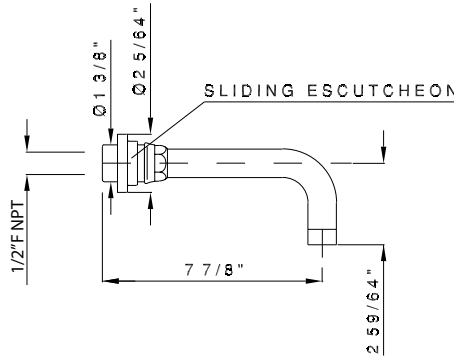


- Single-function anti-calcium handshower at 1.8 GPM at 60 PSI
- 6 GPM at 60 PSI (CEC compliant)
- 1/2" female NPT inlet

**Suggested Retail Price**

Handle	APC	PN	STN	TCB
A2302LM	1178	1413	1576	1672
A2302X	1154	1385	1500	1640
A2302XM	1309	1570	1754	1859

**A2303 San Giovanni™ Wall Mount Tub Spout**

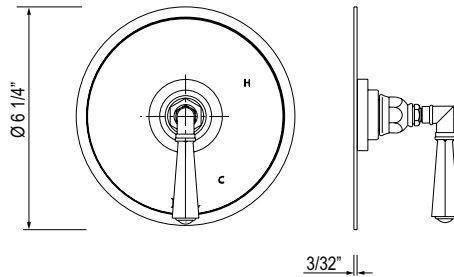


- 6 GPM at 60 PSI
- 1/2" female NPT inlet

**Suggested Retail Price**

	APC	PN	STN	TCB
A2303	257	308	345	365

**A2310 San Giovanni™ 1/2" Pressure Balance Trim Without Diverter**

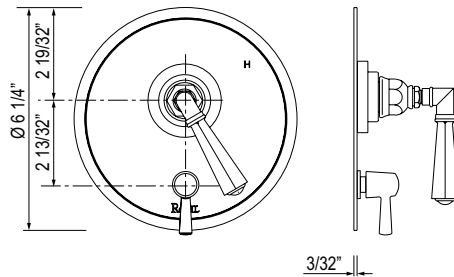


- Temperature control only
- 1 function
- Rough valve sold separately
- Order RCT-1 1/2" Pressure balance rough: \$183

**Suggested Retail Price**

Handle	APC	PN	STN	TCB
A2310LM	342	411	442	486
A2310X	332	398	495	495
A2310XM	408	490	530	580

**A3310N San Giovanni™ 1/2" Pressure Balance Trim With Diverter**

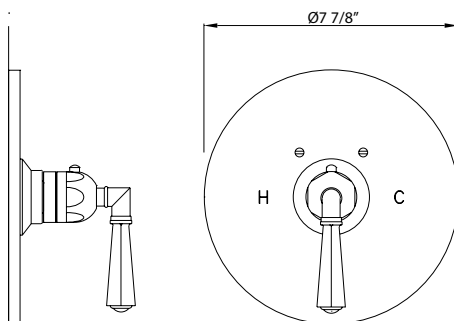


- Temperature control with diverter
- 2 function
- Rough valve sold separately
- Order RDD-2 1/2" Pressure balance rough: \$294

**Suggested Retail Price**

Handle	APC	PN	STN	TCB
A3310NLM	417	500	523	591
A3310NX	406	487	575	583
A3310NXM	483	579	610	685

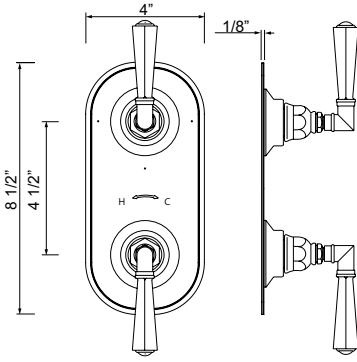
**A4923 San Giovanni™ 3/4" Thermostatic Trim Without Volume Control**



- Temperature control only
- Rough valve sold separately
- Order 1005N 3/4" thermostatic rough valve: \$333
- Volume control(s) required

**Suggested Retail Price**

Handle	APC	PN	STN	TCB
A4923LM	385	462	515	546
A4923X	364	437	542	542
A4923XM	549	659	692	780



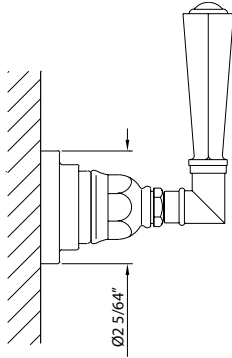
**A4564 San Giovanni™ 1/2" Thermostatic Trim with Diverter**



**Suggested Retail Price**

Handle	APC	PN	STN	TCB
A4564LM	555	665	701	787
A4564X	534	641	806	806
A4564XM	686	824	876	975

- Temperature control with diverter
- Up to 5 functions
- Rough valve sold separately. Select one:
  - Order R1051BV 1/2" thermostatic 1 function rough valve: \$404
  - Order R1052BD 1/2" thermostatic 2 function rough valve: \$405
  - Order R1053BD 1/2" thermostatic 3 function rough valve: \$472
  - Order R1055BD 1/2" thermostatic 5 function rough valve: \$472



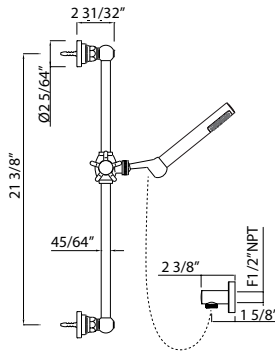
**A4924 San Giovanni™ Trim For Volume Control And Diverter**



**Suggested Retail Price**

Handle	APC	PN	STN	TCB
A4924LM _ _ TO	190	228	255	270
A4924X _ _ TO	180	216	307	307
A4924XM _ _ TO	256	307	342	364

- Volume control or diverter only
- Rough valve sold separately. Select one:
  - Order R1040R 3/4" volume control rough valve: \$144
  - Order R1062BO 4-port, 3-way dedicated diverter rough valve: \$329



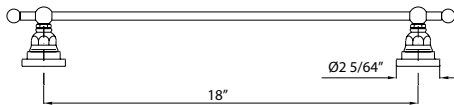
**AKIT8073 Handshower Set With 21" Slide Bar and Single Function Handshower**



**Suggested Retail Price**

Handle	APC	PN	STN	TCB
AKIT8073X	907	1088	1301	1348
AKIT8073XM	985	1182	1404	1458

- Complements San Giovanni™ collection and other transitional designs
- C7135 single-function handshower
- 1.8 GPM at 60 PSI (CEC compliant)



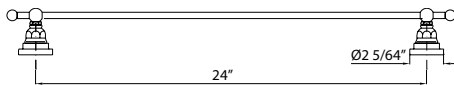
**A1484LI San Giovanni™ 18" Towel Bar**



**Suggested Retail Price**

	APC	PN	STN	TCB
A1484LI	320	384	428	454

- Length cannot be cut down



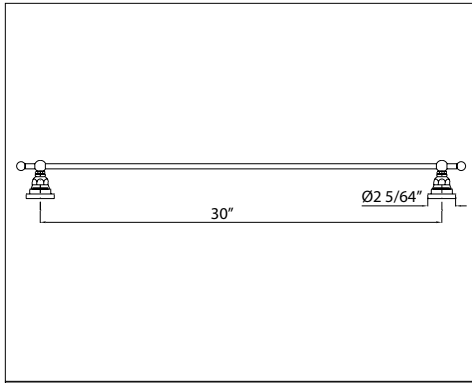
**A1486LI San Giovanni™ 24" Towel Bar**



**Suggested Retail Price**

	APC	PN	STN	TCB
A1486LI	323	387	432	458

- Length cannot be cut down



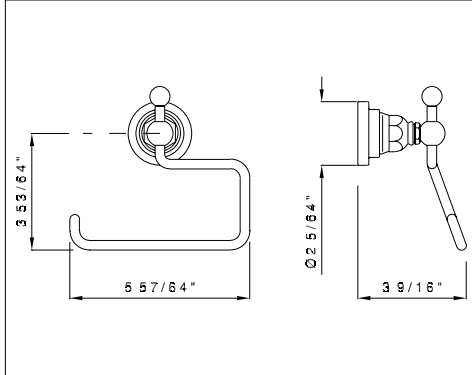
**A1489LI San Giovanni™ 30" Towel Bar**

**Suggested Retail Price**

	APC	PN	STN	TCB
A1489LI	352	422	470	499



- Length cannot be cut down



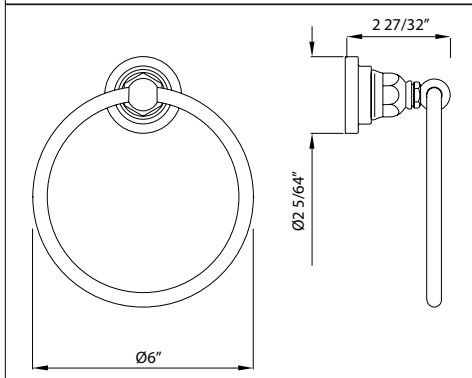
**A1492LI San Giovanni™ Toilet Paper Holder**

**Suggested Retail Price**

	APC	PN	STN	TCB
A1492LI	260	312	350	369



- There's no need to compromise on design in this essential space
- Accommodates oversized TP rolls



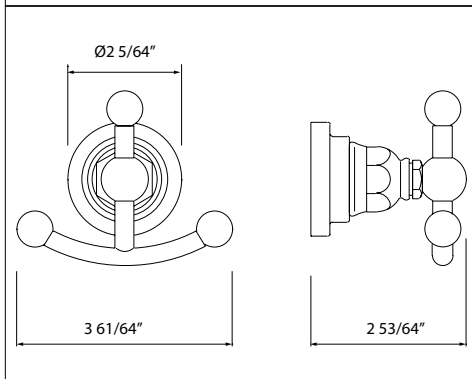
**A1485LI San Giovanni™ Towel Ring**

**Suggested Retail Price**

	APC	PN	STN	TCB
A1485LI	250	300	334	354



- Elegantly display bath towels in a coordinated fashion with other accessories



**A1481LI San Giovanni™ Double Robe Hook**

**Suggested Retail Price**

	APC	PN	STN	TCB
A1481LI	214	256	285	303



- Optimize space with this double hook for multiple robe/towel storage



**SAN GIOVANNI™ PRESSURE BALANCE SHOWER OPTION 1**

Suggested Retail Price

Model	Description	Polished Chrome
A2310	Trim	342
B00102	Handshower	154
1230	Handshower Bar	811
1295	Outlet	102
16295	Hose	53
RCT-1	Rough	183
<b>Total Package List Price With Roughs</b>		<b>1,645</b>

**Note:** Sample configuration priced in Polished Chrome. Other configurations and finishes available. Complete your Shower experience by including one of our decorative drain options.

**SAN GIOVANNI™ PRESSURE BALANCE SHOWER OPTION 2**

Suggested Retail Price

Model	Description	Polished Chrome
A3310	Trim	417
BI00701	Showerhead	506
1120/12	Shower Arm	73
B00102	Handshower	154
D800	Handshower Bar	388
1295	Outlet	102
16295	Hose	53
RDD-2	Rough	294
<b>Total Package List Price With Roughs</b>		<b>1,987</b>

**Note:** Sample configuration priced in Polished Chrome. Other configurations and finishes available. Complete your Shower experience by including one of our decorative drain options.





### SAN GIOVANNI™ 1/2" THERMOSTATIC SHOWER OPTION 1

Model	Description	Suggested Retail Price	
		Polished Chrome	
A4564	Trim	555	
BI00701	Showerhead	506	
1120/12	Shower Arm	73	
B00102	Handshower	154	
1230	Handshower Bar	811	
1295	Outlet	102	
16295	Hose	53	
R1055BD	Rough	472	
<b>Total Package List Price With Roughs</b>		<b>2,726</b>	
R1052BD	Rough (No Share)	405	
<b>Total Package List Price With Roughs</b>		<b>2,659</b>	

**Note:** Sample configuration priced in Polished Chrome. Other configurations and finishes available. Complete your Shower experience by including one of our decorative drain options.

### SAN GIOVANNI™ 1/2" THERMOSTATIC SHOWER OPTION 2



Model	Description	Suggested Retail Price	
		Polished Chrome	
A4564	Trim	555	
BI00701	Showerhead	506	
1120/12	Shower Arm	73	
SLM03	Ceiling Showerhead	726	
1505/3	Ceiling Shower Arm	111	
B00102	Handshower	154	
1230	Handshower Bar	811	
1295	Outlet	102	
16295	Hose	53	
R1055BD	Rough	472	
<b>Total Package List Price With Roughs</b>		<b>3,563</b>	
R1053BD	Rough (No Share)	472	
<b>Total Package List Price With Roughs</b>		<b>3,563</b>	

**Note:** Sample configuration priced in Polished Chrome. Other configurations and finishes available. Complete your Shower experience by including one of our decorative drain options.



**SAN GIOVANNI™ 1/2" THERMOSTATIC SHOWER OPTION 3**

Suggested Retail Price

Model	Description	Polished Chrome
A4564	Trim	555
BI00701	Showerhead	506
1120/12	Shower Arm	73
B00102	Handshower	154
CD8000	Handshower Bracket	154
16295	Hose	53
A2303	Tub Spout	257
R1055BD	Rough	472
<b>Total Package List Price With Roughs</b>		<b>2,224</b>
R1053BD	Rough (No Share)	472
<b>Total Package List Price With Roughs</b>		<b>2,224</b>

**Note:** Sample configuration priced in Polished Chrome. Other configurations and finishes available. Complete your Shower experience by including one of our decorative drain options.

**SAN GIOVANNI™ 3/4" THERMOSTATIC SHOWER OPTION 1**

Suggested Retail Price

Model	Description	Polished Chrome
A4923	Trim	385
BI00701	Showerhead	506
1120/12	Shower Arm	73
B00102	Handshower	154
1230	Handshower Bar	811
1295	Outlet	102
16295	Hose	53
A4812 (x3)	Volume Controls (x3)	1,062
I00124 (x2)	Body Sprays (x2)	232
1005N	Rough	333
R1040R (x3)	Volume Control Rough (x3)	432
<b>Total Package List Price With Roughs</b>		<b>4,143</b>

**Note:** Sample configuration priced in Polished Chrome. Other configurations and finishes available. Complete your Shower experience by including one of our decorative drain options.

# SORIANO™

The work of the award-winning design firm Meneghello Paoletti Associati is the epitome of modern Italian style. As is their original creation for ROHL®, the Soriano™ Bath Collection. Their inspiration: Boolean data type, the computer coding logic defined by 0's and 1's, now translated in brushed stainless steel with a perfectly circular spout and thin straight lines for handles. This simplicity is carried throughout as the spout, lever, and base are defined by a single shape. Clean, sharp, and brilliant, Soriano is for bathrooms with minimalist or modern intent.



SOR-09SB

## Handle Options



*Metal Lever*

## Available Finishes:



*Brushed Stainless Steel  
SB*

*See product page for available finishes*

FAUCETS



SOR-19  
page 306



SOR-16  
page 306



SOR-09  
page 306

TUB FILLERS



SOR-14  
page 307



SOR-43  
page 307

SHOWER TRIMS



SOR-32  
page 308



SOR-30  
page 308

SHOWER PACKAGE



1/2" THERMOSTATIC  
page 310





# COMPLEMENTARY ITEMS

See product page for available finishes.

 Home

 Index



**1070/8**  
page 388



**SLM05**  
page 388



**I00405**  
page 385



**BI00059**  
page 391



**1510/3**  
page 397



**1410/16**  
page 396



**1130E**  
page 400



**SDPVC2/3-3142**  
page 421



**1340**  
page 409



**24960**  
page 419



**1265**  
page 410



**L0095KIT1**  
page 403



**SOR1/24**  
page 308



**SOR-8**  
page 309



**SOR1/12**  
page 308



**SOR-7**  
page 309



**RB1815**  
Shaws® Price Book



**SB1814**  
Shaws® Price Book



**BARCELONA 55**  
Victoria + Albert® Price Book



**TERRASSA**  
Victoria + Albert® Price Book

SHOWER

ACCESSORIES

BATH FIXTURES

QUARTILE

SAN GIOVANNI

SCISSORO

TENERIFE

VERONA

VIAGGIO

VINCENT

WAVE

LAVATORY DRAINS

ROUGH-IN VALVES

SHOWER

CARE & MAINTENANCE

TERMS



QUARTILE

SAN GIOVANNI

SCORLAND

TENERIFE

VERONA

VIAGGIO

VINCENT

WAVE

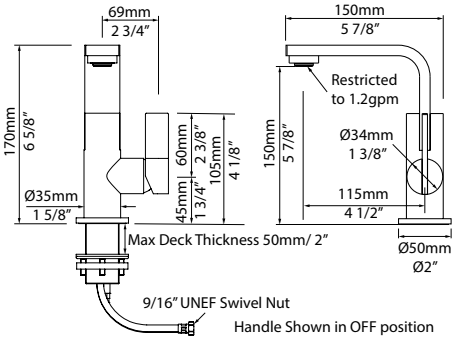
LAVATORY DRAINS

ROUGH-IN VALVES

SHOWER

CARE & MAINTENANCE

TERMS



### SOR-19 Soriano™ Single Handle Lavatory Faucet



**Suggested Retail Price**

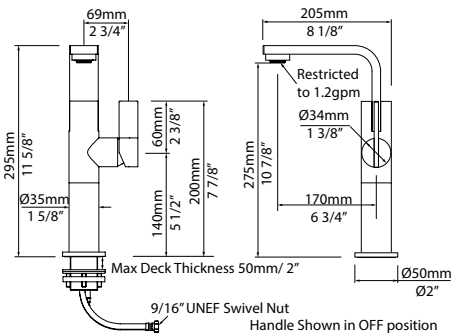
	SB
SOR-19- _ _ _	1151

- Stainless Steel construction
- 1.2 GPM at 60 PSI (CEC compliant)
- Drain sold separately. See drain options below and Lavatory Drain tab for pricing

See Lavatory Drains tab for pricing.



5445 5447 6442 7444 8446 CC231OFWO 0127DOF CNZREMOTE U.6702



### SOR-16 Soriano™ Single Handle Tall Lavatory Faucet



**Suggested Retail Price**

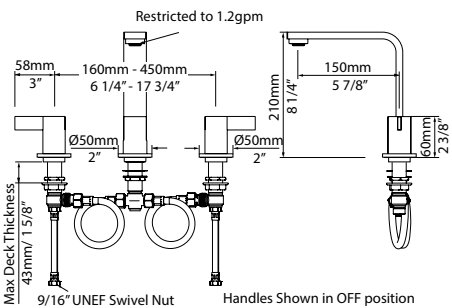
	SB
SOR-16- _ _ _	1315

- Stainless Steel construction
- 1.2 GPM at 60 PSI (CEC compliant)
- Drain sold separately. See drain options below and Lavatory Drain tab for pricing

See Lavatory Drains tab for pricing.



5445 5447 6442 7444 8446 CC231OFWO 0127DOF CNZREMOTE U.6702



### SOR-09 Soriano™ Widespread Lavatory Faucet

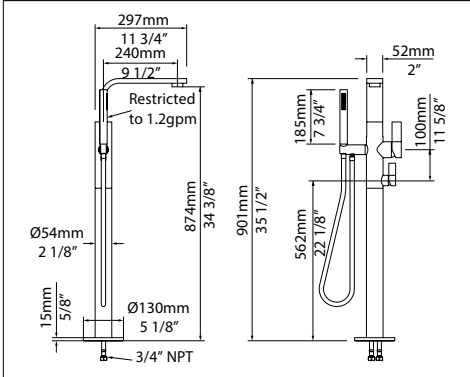


**Suggested Retail Price**

	SB
SOR-09- _ _ _	1579

- Stainless Steel construction
- 1.2 GPM at 60 PSI (CEC compliant)
- Drain sold separately. See drain options below and Lavatory Drain tab for pricing

See Lavatory Drains tab for pricing.



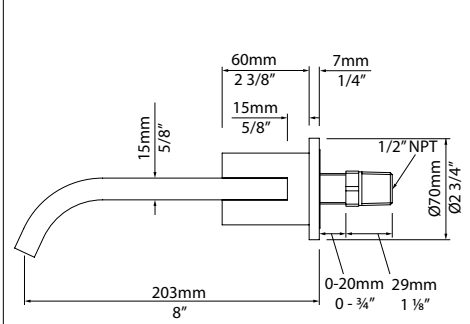
**SOR-14 Soriano™ Single Hole Floor Mount Tub Filler**



**Suggested Retail Price**

	SB
SOR-14- _ _ _	2922

- Single-function anti-calcium handshower at 1.8 GPM at 60 PSI
- Stainless Steel construction
- 8 GPM at 60 PSI (CEC compliant)
- 3/4" female NPT inlet
- Remote thermostatic valve may be needed; verify local code requirements



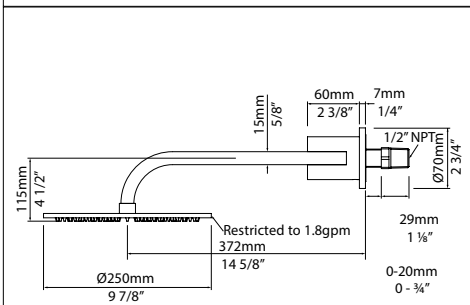
**SOR-43 Soriano™ Wall Mount Tub Spout**



**Suggested Retail Price**

	SB
SOR-43- _ _ _	692

- Stainless Steel construction
- 6 GPM at 60 PSI
- 1/2" female NPT inlet



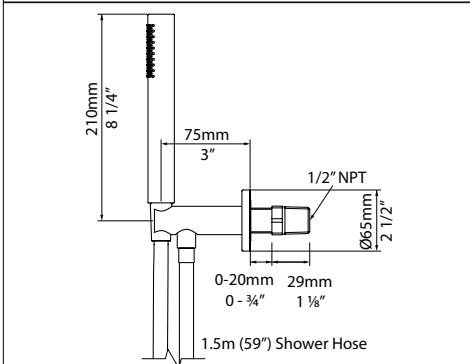
**SOR-41 10" Rain Showerhead With Arm**



**Suggested Retail Price**

	SB
SOR-41- _ _ _	1266

- Stainless Steel construction
- Complements Soriano™ collection and other transitional designs
- 1 function
- 1.8 GPM at 60 PSI (CEC compliant)



**SOR-42 Handshower Set With Handshower Holder and Single Function Handshower**



**Suggested Retail Price**

	SB
SOR-42- _ _ _	681

- Complements Soriano™ collection and other transitional designs



QUARTILE

SAN GIOVANNI

SCORLAND

TENERIFE

VERONA

VIAGGIO

VINCENT

WAVE

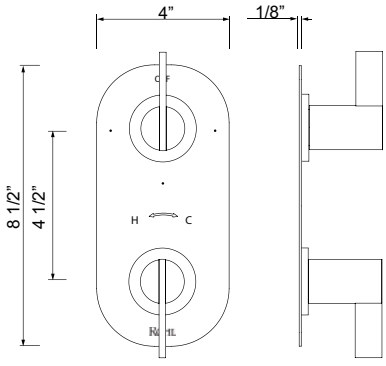
LAVATORY DRAINS

ROUGH-IN VALVES

SHOWER

CARE & MAINTENANCE

TERMS



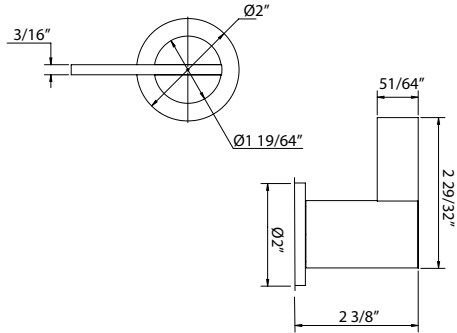
**SOR-32 Soriano™ 1/2" Thermostatic Trim with Diverter**



**Suggested Retail Price**

	SB
SOR-32- _ _	726

- Temperature control with diverter
- Up to 5 functions
- Rough valve sold separately. Select one:
  - Order R1051BV 1/2" thermostatic 1 function rough valve: \$404
  - Order R1052BD 1/2" thermostatic 2 function rough valve: \$405
  - Order R1053BD 1/2" thermostatic 3 function rough valve: \$472
  - Order R1055BD 1/2" thermostatic 5 function rough valve: \$472



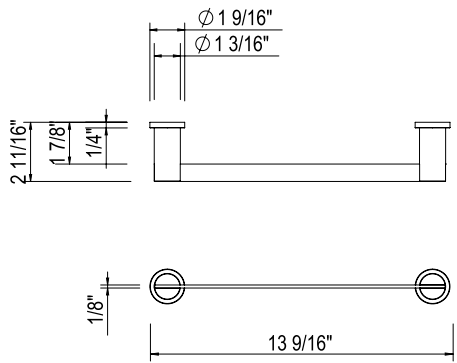
**SOR-30 Soriano™ Trim For Volume Control And Diverter**



**Suggested Retail Price**

	SB
SOR-30- _ _	272

- Volume control or diverter only
- Rough valve sold separately. Select one:
  - Order R1040R 3/4" volume control rough valve: \$144
  - Order R1062BO 4-port, 3-way dedicated diverter rough valve: \$329



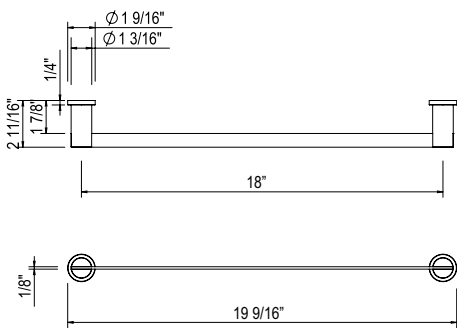
**SOR1/12 Soriano™ 12" Towel Bar**



**Suggested Retail Price**

	SB
SOR1/12- _ _	260

- Length cannot be cut down
- Stainless Steel construction



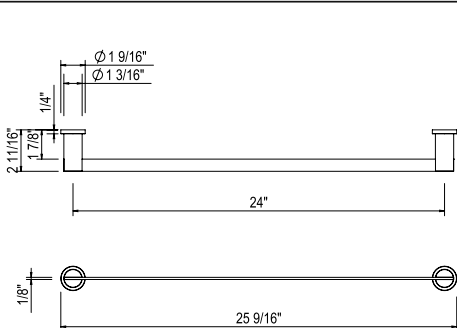
**SOR1/18 Soriano™ 18" Towel Bar**



**Suggested Retail Price**

	SB
SOR1/18- _ _	301

- Length cannot be cut down
- Stainless Steel construction



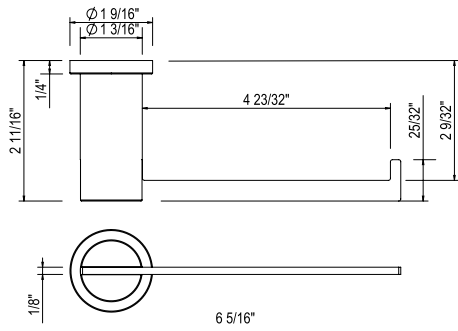
**SOR1/24 Soriano™ 24" Towel Bar**



**Suggested Retail Price**

	SB
SOR1/24- _ _	335

- Length cannot be cut down
- Stainless Steel construction



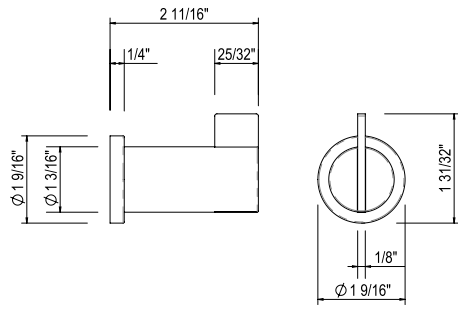
**SOR-8 Soriano™ Toilet Paper Holder**

Suggested Retail Price

	SB
SOR-8- _ _ _	186



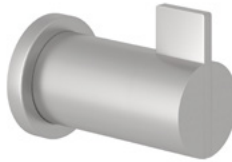
- There's no need to compromise on design in this essential space
- Accommodates oversized toilet paper rolls



**SOR-7 Soriano™ Robe Hook**

Suggested Retail Price

	SB
SOR-7- _ _ _	104



- Holds one robe or towel close to your shower or bathing space



**SORIANO™ 1/2" THERMOSTATIC SHOWER OPTION 1**

Suggested Retail Price

Model	Description	Brushed Stainless Steel
SOR-32	Trim	726
SOR-41	Showerhead With Arm	1,266
SOR-42	Handshower Set	681
R1052BD	Rough	405
<b>Total Package List Price With Roughs</b>		<b>3,078</b>

**Note:** Sample configuration priced in Polished Chrome. Other configurations and finishes available. Complete your Shower experience by including one of our decorative drain options.

# TENERIFE™

The symbol of the tranquil Canary Islands is a majestic palm tree, reaching as much as 65 feet, with a crown of leaves spanning all around. Tenerife, the largest of the islands, is host to the majority of these exotic, native palms. The Tenerife™ Bath Collection captures their tropical beauty through intricate details. The fine crosshatching that adorns the handles and base mirrors the lush diamond shape on the palm's trunk. Circular accents on the spout complement the striking effect. Tenerife captures the feeling of a faraway isle in a physical form.



TE09D3LMAG

Available finishes:



*Polished Chrome*  
APC



*Polished Nickel*  
PN



*Satin Nickel*  
STN



*Matte Black*  
MB



*Antique Gold*  
AG

See product page for available finishes



APC



PN



STN



MB



AG

FAUCETS



TE01D1  
page 314



TE02D1  
page 314



TE08D3  
page 314



TE09D3  
page 314



TTE01W2  
page 315

TUB FILLER



TE16W1  
page 315



TTE06F1  
page 315

SHOWER TRIMS



TTE51W1  
page 315



TTE23W1 or TTE44W1  
page 316



TTE45W1 or TTE47W1  
page 316



TTE46W1  
page 316



TE83W1  
page 317

SHOWER PACKAGES

PRESSURE BALANCE



page 321

1/2" THERM & PRESSURE BALANCE



page 321



page 322

3/4" THERM & PRESSURE BALANCE



page 322



page 323



# COMPLEMENTARY ITEMS

See product page for available finishes.

 Home

 Index



**U.5135**  
page 384



**SLM02**  
page 386



**WI0196**  
page 385



**MB0190**  
page 227



**1505/24**  
page 398



**B0314**  
page 401



**C7135**  
page 398



**SDPVC2/3-3146**  
page 421



**L0095KIT1**  
page 403



**AKIT8074IW**  
page 406



**1266**  
page 411



**C50000/1**  
page 417



**TE25WTB24**  
page 319



**TE25WTP**  
page 319



**TE25WTH**  
page 320



**TE25WRH**  
page 320



**SB1814**  
Shaws® Price Book



**U.2240**  
Perrin & Rowe® Price Book



**CABRITS 55**  
Victoria + Albert® Price Book



**CABRITS**  
Victoria + Albert® Price Book

## SHOWER

## ACCESSORIES

## BATH FIXTURES

QUARTILE

SAN GIOVANNI

SORIANO

TEVERESE

VERONA

VIAGGIO

VINCENT

WAVE

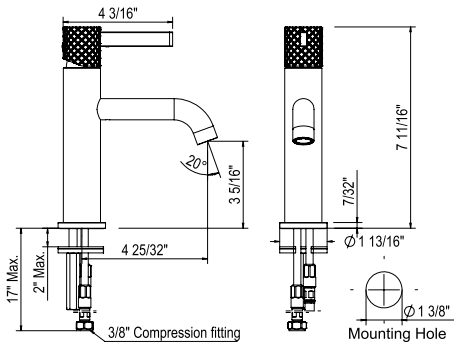
LAVATORY DRAINS

ROUGH-IN VALVES

SHOWER

CARE & MAINTENANCE

TERMS



**TE01D1** Tenerife™ Single Handle Lavatory Faucet

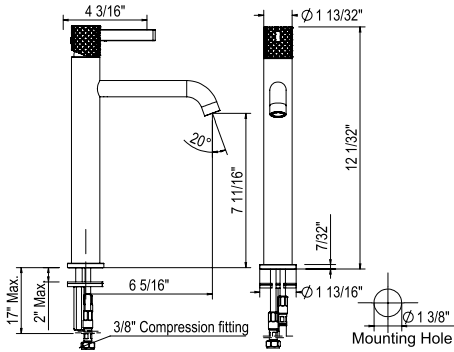


NEW

**Suggested Retail Price**

	APC	PN	STN	MB	AG
TE01D1LM_--	648	778	810	843	921

- 1.2 GPM at 60 PSI (CEC compliant)
- Push drain included with faucet



**TE02D1** Tenerife™ Single Handle Tall Lavatory Faucet



NEW

**Suggested Retail Price**

	APC	PN	STN	MB	AG
TE02D1LM_--	848	1018	1060	1103	1205

- 1.2 GPM at 60 PSI (CEC compliant)
- Drain sold separately. See drain options below and Lavatory Drain tab for pricing

See Lavatory Drains tab for pricing.



5445

5447

6442

7444

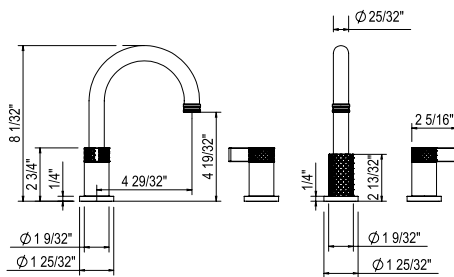
8446

CC231OFWO

0127DOF

CNZREMOTE

U.6702



**TE08D3** Tenerife™ Widespread Lavatory Faucet with C-Spout

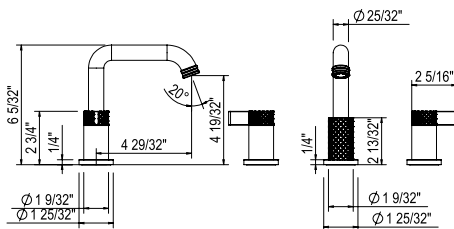


NEW

**Suggested Retail Price**

	APC	PN	STN	MB	AG
TE08D3LM_--	698	838	873	907	992

- 1.2 GPM at 60 PSI (CEC compliant)
- Push drain included with faucet



**TE09D3** Tenerife™ Widespread Lavatory Faucet with U-Spout



NEW

**Suggested Retail Price**

	APC	PN	STN	MB	AG
TE09D3LM_--	698	838	873	908	992

- 1.2 GPM at 60 PSI (CEC compliant)
- Push drain included with faucet



APC



PN



STN



MB



AG



Home



Index

QUARTILE

SAN GIOVANNI

SORIANO

TENERIFE

VERONA

VIAGGIO

VINCENT

WAVE

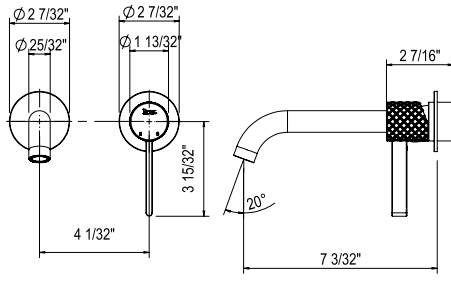
LAVATORY DRAINS

ROUGH-IN VALVES

SHOWER

CARE &amp; MAINTENANCE

TERMS



### TTE01W2 Tenerife™ Wall Mount Single Handle Lavatory Faucet Trim



NEW

#### Suggested Retail Price

	APC	PN	STN	MB	AG
TTE01W2LM	798	958	998	1038	1134

- 1.2 GPM at 60 PSI (CEC compliant)
- Drain sold separately. See drain options below and Lavatory Drain tab for pricing
- Rough-in valve sold separately:
  - Order RH360 rough-in valve: \$106

See Lavatory Drains tab for pricing.



5445

5447

6442

7444

8446

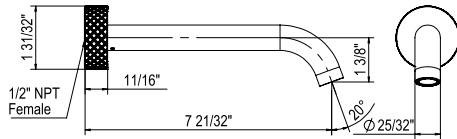
CC231OFWO

0127DOF

CNZREMOTE

U.6702

### TE16W1 Tenerife™ Wall Mount Tub Spout



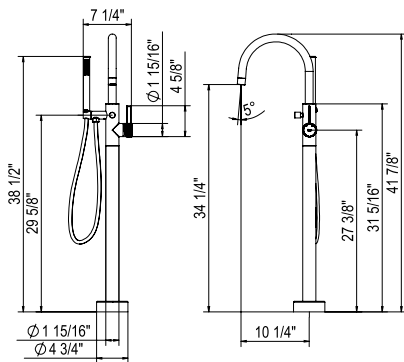
NEW



#### Suggested Retail Price

	APC	PN	STN	MB	AG
TE16W1	298	358	373	387	423

- 6 GPM at 60 PSI
- 3/4" female NPT inlet
- If 1/2" required, you may purchase a 3/4" x 1/2" nipple at any hardware store



NEW

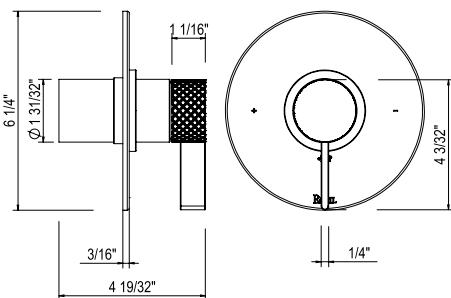
### TTE06F1 Tenerife™ Single Hole Floor Mount Tub Filler Trim



#### Suggested Retail Price

	APC	PN	STN	MB	AG
TTE06F1LM	2198	2638	2748	2858	3122

- Single-function anti-calcium handshower at 1.8 GPM at 60 PSI
- 6 GPM at 60 PSI (CEC compliant)
- 1/2" female NPT inlet
- Rough valve sold separately
  - Order R922390000 floor rough valve: \$608
- Remote thermostatic valve may be needed; verify local code requirements



NEW

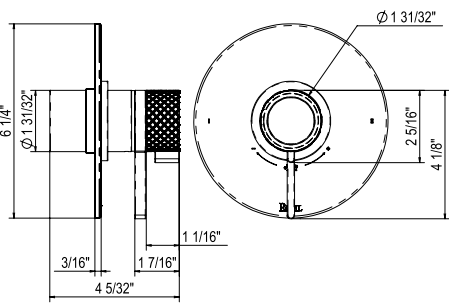
### TTE51W1 Tenerife™ 1/2" Pressure Balance Trim



#### Suggested Retail Price

	APC	PN	STN	MB	AG
TTE51W1LM	378	454	473	492	537

- Temperature and volume control
- 1 function
- Rough-in valve sold separately:
  - Order R51 pressure balance rough-in valve: \$142



**TTE44W1** Tenerife™ 1/2" Therm & Pressure Balance Trim with 2 Functions

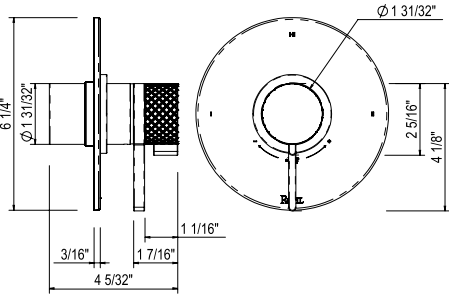


NEW

**Suggested Retail Price**

	APC	PN	STN	MB	AG
TTE44W1LM_ _	598	718	748	778	850

- Patented valve technology with both thermostatic and pressure balance functionality
- Temperature and volume control with diverter
- 2 functions (CEC Compliant)
- Rough-in valve sold separately:
  - Order R23 therm & pressure balance rough-in valve: \$176



**TTE23W1** Tenerife™ 1/2" Therm & Pressure Balance Trim with 3 Functions

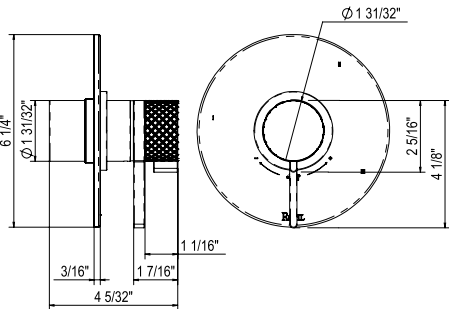


NEW

**Suggested Retail Price**

	APC	PN	STN	MB	AG
TTE23W1LM_ _	598	718	748	778	850

- Patented valve technology with both thermostatic and pressure balance functionality
- Temperature and volume control with diverter
- 3 functions
- Rough-in valve sold separately:
  - Order R23 therm & pressure balance rough-in valve: \$176



**TTE47W1** Tenerife™ 1/2" Therm & Pressure Balance Trim with 3 Functions

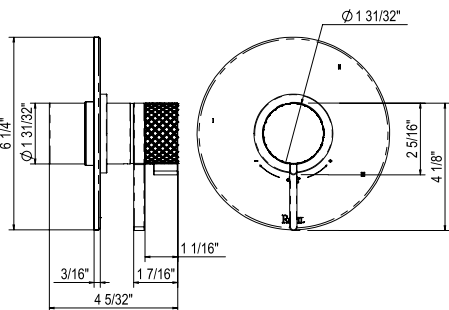


NEW

**Suggested Retail Price**

	APC	PN	STN	MB	AG
TTE47W1LM_ _	598	718	748	778	850

- Patented valve technology with both thermostatic and pressure balance functionality
- Temperature and volume control with diverter
- 3 functions (CEC Compliant)
- Rough-in valve sold separately:
  - Order R45 therm & pressure balance rough-in valve: \$245



**TTE45W1** Tenerife™ 1/2" Therm & Pressure Balance Trim with 5 Functions

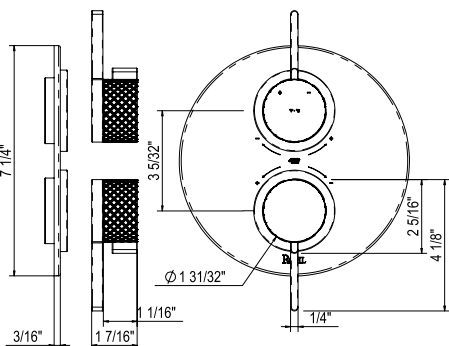


NEW

**Suggested Retail Price**

	APC	PN	STN	MB	AG
TTE45W1LM_ _	598	718	748	778	850

- Patented valve technology with both thermostatic and pressure balance functionality
- Temperature and volume control with diverter
- 5 functions
- Rough-in valve sold separately:
  - Order R45 therm & pressure balance rough-in valve: \$245



**TTE46W1** Tenerife™ 3/4" Therm & Pressure Balance Trim with 6 Functions



NEW

**Suggested Retail Price**

	APC	PN	STN	MB	AG
TTE46W1LM_ _	948	1138	1185	1233	1347

- Patented valve technology with both thermostatic and pressure balance functionality
- 2 temperature and volume controls with diverters
- 6 functions
- Rough-in valve sold separately:
  - Order R46 therm & pressure balance rough-in valve: \$373



APC



PN



STN



MB



AG



Home



Index

QUARTILE

SAN GIOVANNI

SORIANO

TEVESIFE

VERONA

VIAGGIO

VINCENT

WAVE

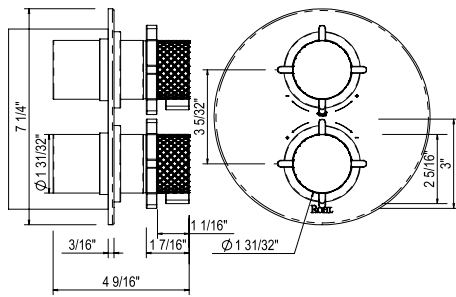
LAVATORY DRAINS

ROUGH-IN VALVES

SHOWER

CARE &amp; MAINTENANCE

TERMS

**TE83W1** Tenerife™ 3/4" Therm & Pressure Balance Multi-Function System

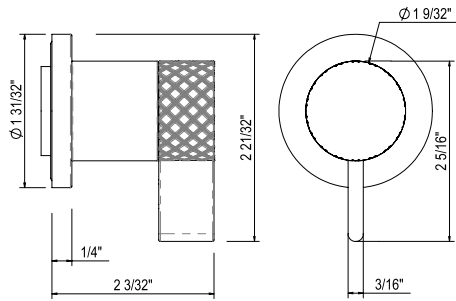
## Suggested Retail Price

	APC	PN	STN	MB	AG
TE83W1LM	1398	1678	1748	1817	1985



- Rough-in valve included with trim
- 2 temperature and 2 volume controls; also supports 2 optional volume controls
- Multi-function with optional volume controls
- 20 GPM at 60 PSI

NEW

**TTE20W1** Tenerife™ Trim For Volume Control And Diverter

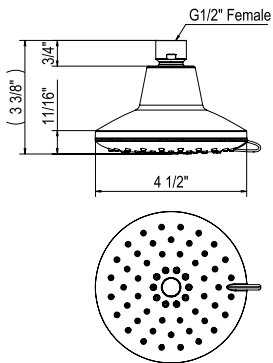
## Suggested Retail Price

	APC	PN	STN	MB	AG
TTE20W1LM	298	358	373	388	424



- To be used with R83 valve system
- Volume control or diverter only
- 1/2" female NPT inlet
- Rough valve sold separately
  - Order R20 volume control rough-in valve: \$112

NEW

**50126MF3** 5" 3-Function Showerhead

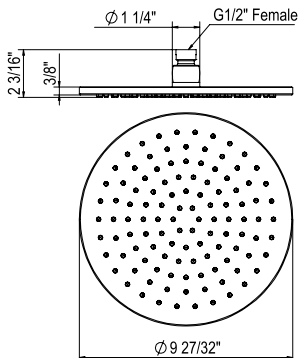
## Suggested Retail Price

	APC	PN	STN	MB	AG
50126MF3	168	202	210	219	239



- 3 functions
- 1.8 GPM at 60 PSI (CEC compliant)

NEW

**100126RS1** 10" Rain Showerhead

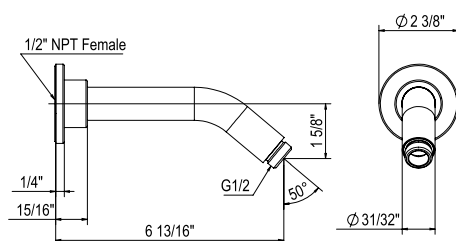
## Suggested Retail Price

	APC	PN	STN	MB	AG
100126RS1	338	406	423	440	480



- 1 function
- 1.8 GPM at 60 PSI (CEC compliant)

NEW

**70127SA** 7" Reach Wall Mount Shower Arm

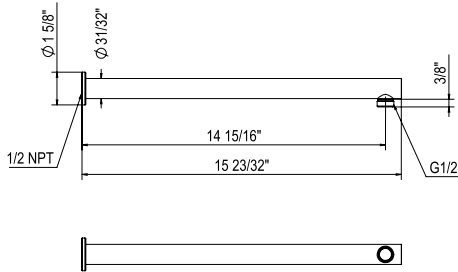
## Suggested Retail Price

	APC	PN	STN	MB	AG
70127SA	138	166	173	180	196



- Complements Tenerife™ collection and other transitional designs

NEW



**150127SA 15" Reach Wall Mount Shower Arm**

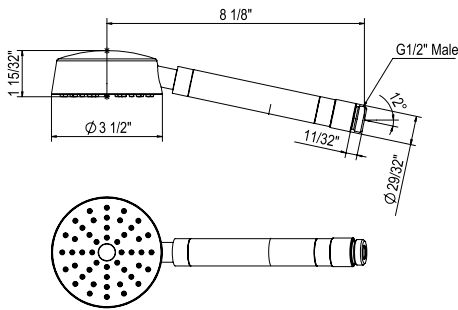
**Suggested Retail Price**

	APC	PN	STN	MB	AG
150127SA _ _	248	298	310	323	353



- Escutcheon included
- Complements Tenerife™ collection and other transitional designs

NEW



**40126HS1 4" Single Function Handshower**

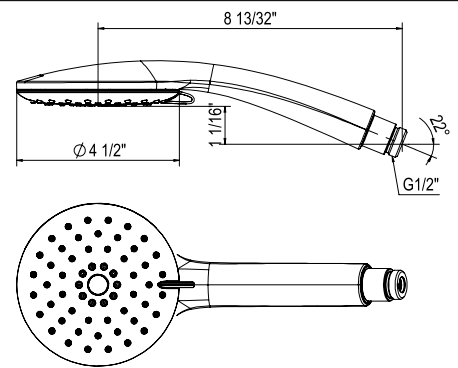
**Suggested Retail Price**

	APC	PN	STN	MB	AG
40126HS1 _ _	228	274	285	297	324



- 1 function
- 1.75 GPM at 60 PSI (CEC compliant)

NEW



**50126HS3 5" 3-Function Handshower**

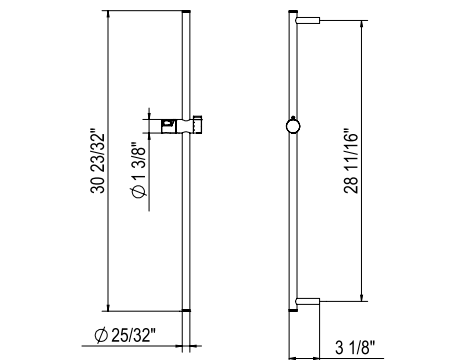
**Suggested Retail Price**

	APC	PN	STN	MB	AG
50126HS3 _ _	198	238	248	258	282



- 3 functions
- 1.75 GPM at 60 PSI (CEC compliant)

NEW



**310127SB 31" Slide Bar**

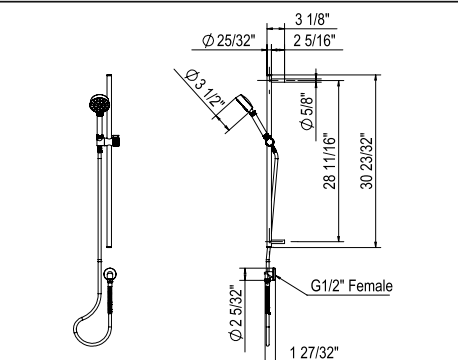
**Suggested Retail Price**

	APC	PN	STN	MB	AG
310127SB _ _	248	298	310	323	353



- Length cannot be cut down

NEW



**0126SBHS1 Handshower Set With 31" Slide Bar and Single Function Handshower**

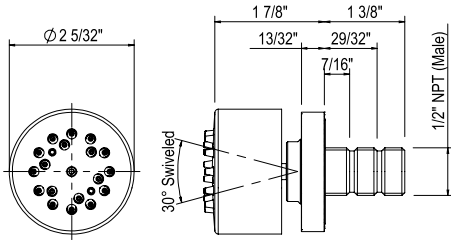
**Suggested Retail Price**

	APC	PN	STN	MB	AG
0126SBHS1 _ _	544	653	680	708	773



- 1.75 GPM at 60 PSI (CEC compliant)
- Length cannot be cut down

NEW



### 0126BS1 2-Function Body Spray

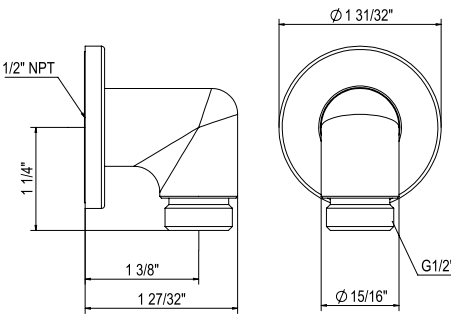


NEW

#### Suggested Retail Price

	APC	PN	STN	MB	AG
0126BS1	298	358	373	388	424

- Complements Tenerife™ collection and other transitional designs
- 2-function
- 1.0 GPM at 45 PSI (CEC compliant)



### 0127WO Handshower Outlet

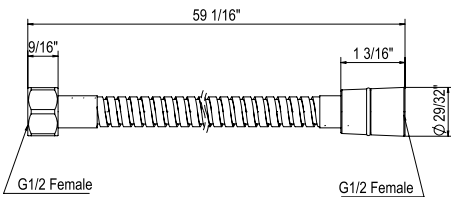


NEW

#### Suggested Retail Price

	APC	PN	STN	MB	AG
0127WO	68	82	85	89	97

- Complements Tenerife™ collection and other transitional designs



### 5927SH 59" Shower Hose

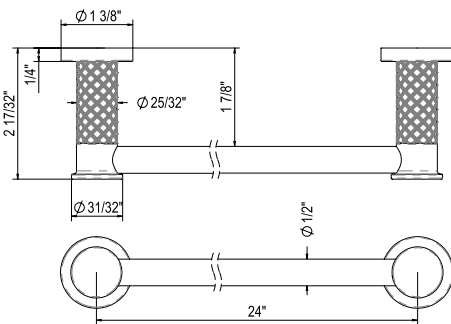


NEW

#### Suggested Retail Price

	APC	PN	STN	MB	AG
5927SH	88	108	118	148	166

- For use with handshower (sold separately)



### TE25WTB24 Tenerife™ 24" Towel Bar

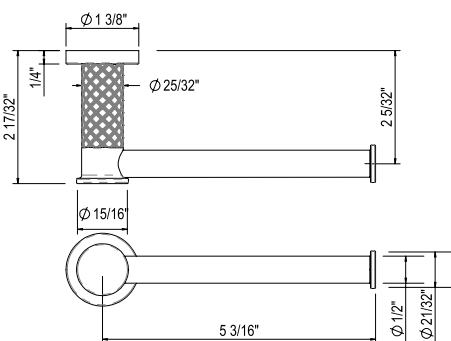


NEW

#### Suggested Retail Price

	APC	PN	STN	MB	AG
TE25WTB24	358	373	388	424	508

- Length cannot be cut down



### TE25WTP Tenerife™ Toilet Paper Holder

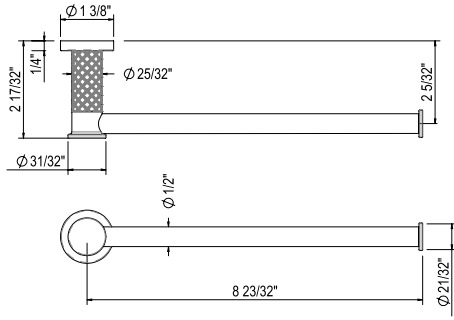


NEW

#### Suggested Retail Price

	APC	PN	STN	MB	AG
TE25WTP	178	214	223	232	253

- There's no need to compromise on design in this essential space
- Accommodates oversized TP rolls



**TE25WTH** Tenerife™ Hand Towel Bar

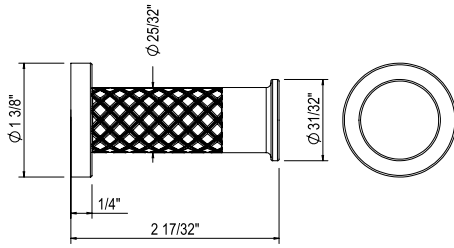
**Suggested Retail Price**

	APC	PN	STN	MB	AG
TE25WTH_--	198	238	248	258	298



- Length cannot be cut down

NEW



**TE25WRH** Tenerife™ Robe Hook

**Suggested Retail Price**

	APC	PN	STN	MB	AG
TE25WRH_--	128	154	160	167	182



- Holds one robe or towel close to your shower or bathing space

NEW





### TENERIFE™ PRESSURE BALANCE SHOWER OPTION 1

Model	Description	Suggested Retail Price
		Polished Chrome
TTE51W1	Trim	378
50126MF3	Showerhead	168
70127SA	showerarm	138
R51	Rough	142
<b>Total Package List Price With Roughs</b>		<b>826</b>

**Note:** Sample configuration priced in Polished Chrome. Other configurations and finishes available. Complete your Shower experience by including one of our decorative drain options.



### TENERIFE™ 1/2" THERMOSTATIC SHOWER OPTION 1

Model	Description	Suggested Retail Price
		Polished Chrome
TTE23W1	Trim	598
100126RS1	Showerhead	338
150127SA	Shower Arm	248
50126HS3	Handshower	168
310127SB	Handshower Bar	248
0127WO	Outlet	68
5927SH	Hose	88
R23	Rough	176
<b>Total Package List Price With Roughs</b>		<b>1,932</b>
TTE44W1	Trim (No Share)	598
<b>Total Package List Price With Roughs</b>		<b>1,932</b>

**Note:** Sample configuration priced in Polished Chrome. Other configurations and finishes available. Complete your Shower experience by including one of our decorative drain options.


**TENERIFE™ 1/2" THERMOSTATIC SHOWER OPTION 2**
**Suggested Retail Price**

Model	Description	Polished Chrome
TTE45W1	Trim	598
50126MF3	Showerhead	168
70127SA	Shower Arm	138
TE16W1	Tub Spout	298
40126HS1	Handshower	228
310127SB	Handshower Bar	248
0127W0	Outlet	68
5927SH	Hose	88
<b>Total Package List Price With Roughs</b>		<b>2,079</b>
TTE47W1	Trim (No Share)	598
<b>Total Package List Price With Roughs</b>		<b>2,079</b>

**Note:** Sample configuration priced in Polished Chrome. Other configurations and finishes available. Complete your Shower experience by including one of our decorative drain options.

**TENERIFE™ 3/4" THERMOSTATIC SHOWER OPTION 1**
**Suggested Retail Price**

Model	Description	Polished Chrome
TTE46W1	Trim	948
100126RS1	Showerhead (x2)	676
150127SA	Shower Arm (x2)	496
50126HS3	Handshower (x2)	336
310127SB	Handshower Bar (x2)	496
0127W0	Outlet (x2)	136
5927SH	Hose (x2)	176
R46	Rough	373
<b>Total Package List Price With Roughs</b>		<b>3,637</b>

**Note:** Sample configuration priced in Polished Chrome. Other configurations and finishes available. Complete your Shower experience by including one of our decorative drain options.



## TENERIFE™ 3/4" THERMOSTATIC SHOWER OPTION 2

Model	Description	Suggested Retail Price
		Polished Chrome
TE83W1	Trim and Rough	1,398
100126RS1	Showerhead	338
150127SA	Shower Arm	248
50126HS3	Handshower (x2)	336
310127SB	Handshower Bar (x2)	496
0127WO	Outlet (x2)	136
5927SH	Hose (x2)	176
0126BS1	Body Sprays (x4)	1,192
TTE20W1	Volume Control Trim (x2)	596
R20	Volume Control Rough (x2)	224
<b>Total Package List Price With Roughs</b>		<b>5,140</b>

**Note:** Sample configuration priced in Polished Chrome. Other configurations and finishes available. Complete your Shower experience by including one of our decorative drain options.

QUARTILE

SAN GIOVANNI

SORIANO

TENERIFE

VERONA

VIAGGIO

VINCENT

WAVE

LAVATORY  
DRAINS

ROUGH-IN  
VALVES

SHOWER

CARE &  
MAINTENANCE

TERMS



# VERONA™

The Italian city of Verona's buildings span centuries, but it's the work of 16th century architect Michele Sanmicheli that stands out. His compositions fused classical and early Renaissance styles into graceful designs dominated by cylindrical forms like arches, domes, and columns. The Verona™ Bath Collection brings this aesthetic to the fore by combining simplicity with sheer elegance. The graceful arched curve of the faucet and dome-like base of the handles create subtle drama reminiscent of Verona's architecture, to give traditional baths a Renaissance of their own.



A2707LMAPC

## Handle Options



*Metal Lever*  
LM



*Cross Handle*  
XM

## Available Finishes:



*Polished Chrome*  
APC



*Polished Nickel*  
PN



*Satin Nickel*  
STN



*Italian Brass*  
IB

See product page for available finishes



APC



PN



STN



IB

FAUCETS



A2707LM  
page 328



A2707XM  
page 328

TUB FILLERS



A2764  
page 328



T1587  
page 328



C1703  
page 328

SHOWER TRIMS



ARB1410  
page 329



ARB2410N  
page 329



A2914  
page 329



A2964  
page 329

PRESSURE BALANCE

1/2" THERMOSTATIC

3/4" THERMOSTATIC

SHOWER PACKAGES



page 332



page 332



page 333



page 333



page 334



page 334



LM



XM

# COMPLEMENTARY ITEMS

See product page for available finishes.

 Home

 Index



**1037/8**  
page 385



**SOF135**  
page 392



**I00131**  
page 389



**BI00042**  
page 389



**1505/3**  
page 397



**SOF136**  
page 402



**1101/8E**  
page 399



**SDPVC2/3-3146**  
page 421



**D800/1N**  
page 408



**D63003**  
page 408



**C50000/1**  
page 417



**C21000**  
page 416



**CIS1/24**  
page 330



**CIS18**  
page 330



**CIS4**  
page 331



**CIS7**  
page 331



**SB2015**  
Shaws® Price Book



**U.2525**  
Perrin & Rowe® Price Book



**RADFORD 51**  
Victoria + Albert® Price Book



**ELWICK**  
Victoria + Albert® Price Book

SHOWER

ACCESSORIES

BATH FIXTURES

QUARTILE

SAN GIOVANNI

SORIANO

TENERIFE

VESUVIA

VIAGGIO

VINCENT

WAVE

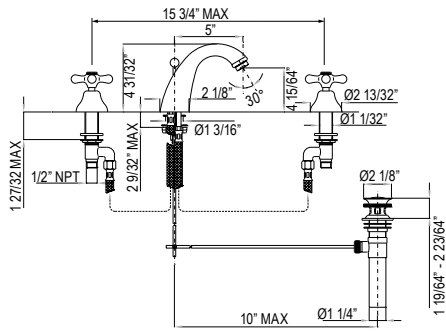
LAVATORY DRAINS

ROUGH-IN VALVES

SHOWER

CARE & MAINTENANCE

TERMS



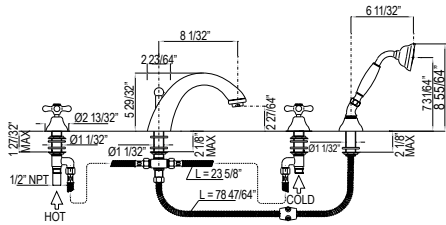
### A2707 Verona™ Widespread Lavatory Faucet

**Suggested Retail Price**

Handle	APC	PN	STN	IB
A2707LM_-2	515	618	644	732
A2707XM_-2	515	618	644	732



- Lift rod drain assembly included with faucet
- 1.2 GPM at 60 PSI (CEC compliant)
- Matching tub filler A2764



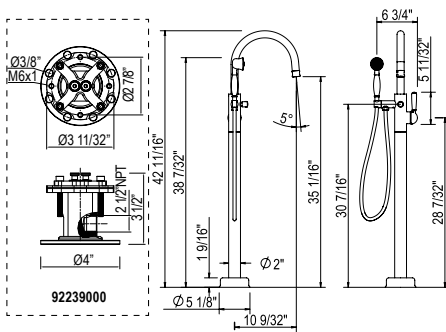
### A2764 Verona™ 4-Hole Deck Mount Tub Filler

**Suggested Retail Price**

Handle	APC	PN	STN	IB
A2764LM_-	1529	1835	1989	2171
A2764XM_-	1529	1835	1989	2171



- Single-function anti-calcium handshower at 1.8 GPM at 60 PSI
- 6 GPM at 60 PSI (CEC compliant)
- 1/2" female NPT inlet
- Matching lavatory faucet A2707



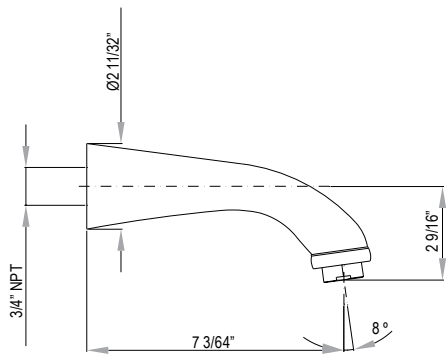
### T1587 Traditional Single Hole Floor Mount Tub Filler Trim

**Suggested Retail Price**

Handle	APC	PN	STN	IB
T1587LM_-/TO	1967	2360	2835	



- Single-function anti-calcium handshower at 1.8 GPM at 60 PSI
- 6 GPM at 60 PSI (CEC compliant)
- 1/2" female NPT inlet
- Rough valve sold separately  
— Order R922390000 floor rough valve: \$608
- Remote thermostatic valve may be needed; verify local code requirements



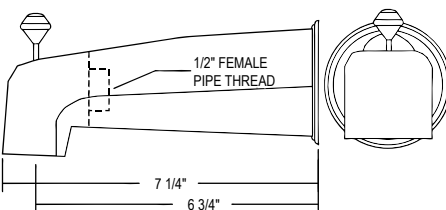
### C1703 Verona™ Wall Mount Tub Spout

**Suggested Retail Price**

APC	PN	STN	IB	
C1703_-	205	205	262	262



- 6 GPM at 60 PSI
- 3/4" female NPT inlet



### RT8000 Wall Mount Tub Spout With Diverter

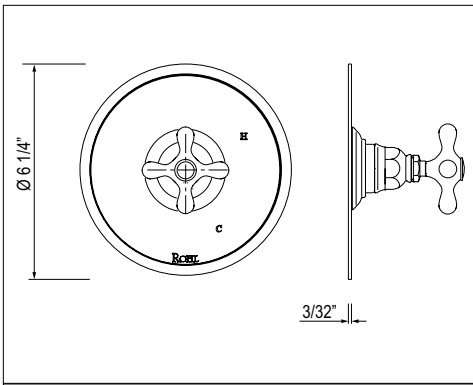
**Suggested Retail Price**

APC	PN	STN	IB	
RT8000_-	151	226	226	814



- 6 GPM at 60 PSI
- 1/2" female I.P.S. inlet
- If using another rough valve other than the RCT-1 a twin ell may be required by the installer





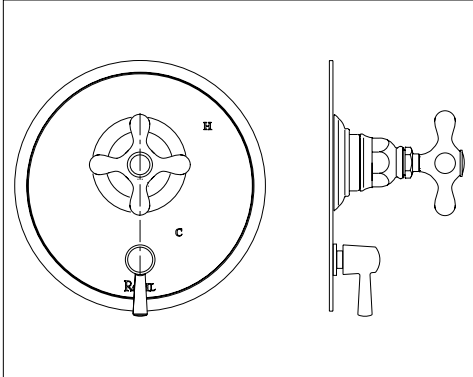
**ARB1410** Verona™ 1/2" Pressure Balance Trim Without Diverter



**Suggested Retail Price**

Handle	APC	PN	STN	IB
ARB1410LM __	363	436	556	598
ARB1410XM __	363	436	556	598

- Temperature control only
- 1 function
- Rough valve sold separately
  - Order RCT-1 1/2" Pressure balance rough: \$183



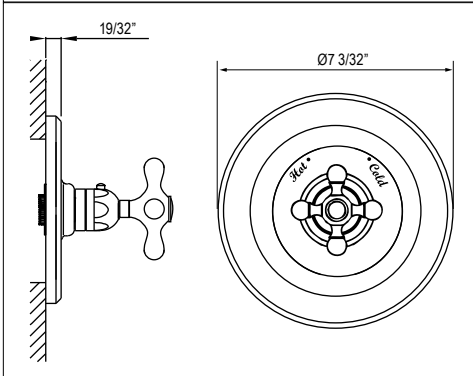
**ARB2410N** Verona™ 1/2" Pressure Balance Trim With Diverter



**Suggested Retail Price**

Handle	APC	PN	STN	IB
ARB2410NLM __	437	525	636	711
ARB2410NXM __	437	525	636	711

- Temperature control with diverter
- 2 function
- Rough valve sold separately
  - Order RDD-2 1/2" Pressure balance rough: \$294



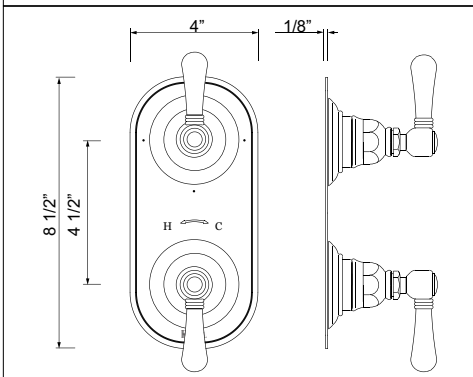
**A2914** Verona™ 3/4" Thermostatic Trim Without Volume Control



**Suggested Retail Price**

Handle	APC	PN	STN	IB
A2914LM __	400	480	625	625
A2914XM __	400	480	625	625

- Temperature control only
- Rough valve sold separately
  - Order 1005N 3/4" thermostatic rough valve: \$333
- Volume control(s) required



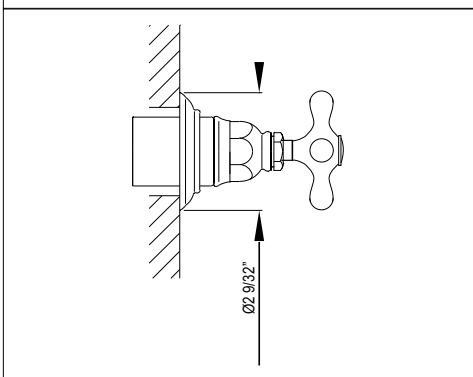
**A2964** Verona™ 1/2" Thermostatic Trim with Diverter



**Suggested Retail Price**

Handle	APC	PN	STN	IB
A2964LM __	583	700	916	
A2964XM __	583	700	916	

- Temperature control with diverter
- Up to 5 functions
- Rough valve sold separately. Select one:
  - Order R1051BV 1/2" thermostatic 1 function rough valve: \$404
  - Order R1052BD 1/2" thermostatic 2 function rough valve: \$405
  - Order R1053BD 1/2" thermostatic 3 function rough valve: \$472
  - Order R1055BD 1/2" thermostatic 5 function rough valve: \$472



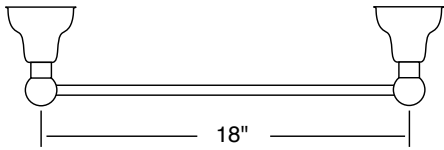
**A2912** Verona™ Trim For Volume Control And Diverter



**Suggested Retail Price**

Handle	APC	PN	STN	IB
A2912LM __ TO	211	253	368	368
A2912XM __ TO	211	253	368	368

- Volume control or diverter only
- Rough valve sold separately. Select one:
  - Order R1040R 3/4" volume control rough valve: \$144
  - Order R1062BO 4-port, 3-way dedicated diverter rough valve: \$329



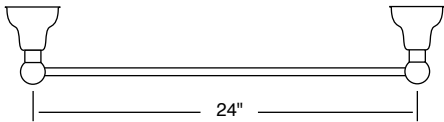
**CIS1/18** Arcana™ 18" Towel Bar

**Suggested Retail Price**

	APC	PN	STN	IB
CIS1/18	232	279	290	330



- Length can be cut down



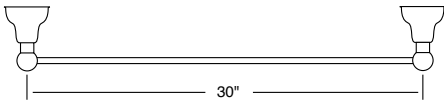
**CIS1/24** Arcana™ 24" Towel Bar

**Suggested Retail Price**

	APC	PN	STN	IB
CIS1/24	236	284	295	335



- Length can be cut down



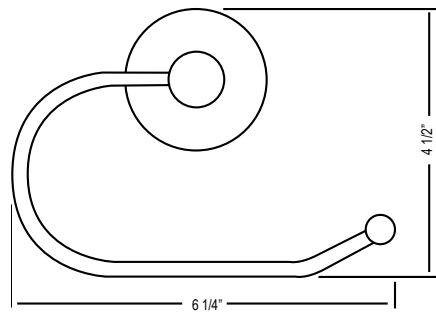
**CIS1/30** Arcana™ 30" Towel Bar

**Suggested Retail Price**

	APC	PN	STN	IB
CIS1/30	245	293	306	347



- Length can be cut down



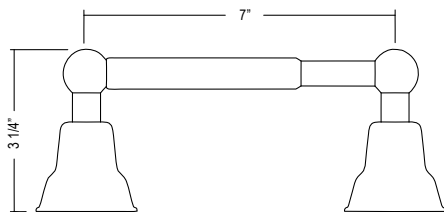
**CIS8** Arcana™ Toilet Paper Holder

**Suggested Retail Price**

	APC	PN	STN	IB
CIS8	143	171	178	202



- There's no need to compromise on design in this essential space
- Accommodates oversized TP rolls



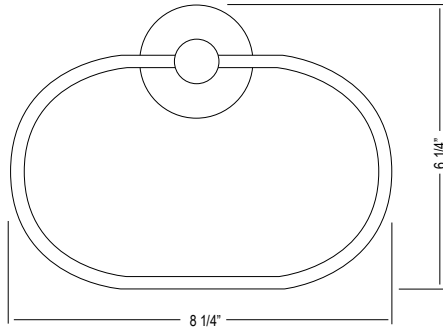
**CIS18** Arcana™ Toilet Paper Holder

**Suggested Retail Price**

	APC	PN	STN	IB
CIS18	248	297	309	352



- There's no need to compromise on design in this essential space
- Accommodates oversized TP rolls



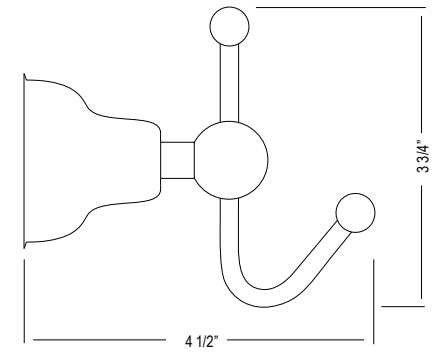
**CIS4 Arcana™ Towel Ring**



**Suggested Retail Price**

	APC	PN	STN	IB
CIS4 _ _	157	188	196	223

- Elegantly display bath towels in a coordinated fashion with other accessories



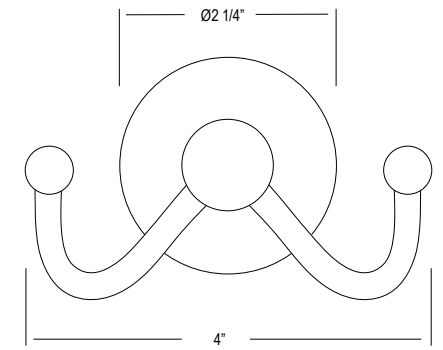
**CIS7 Arcana™ Robe Hook**



**Suggested Retail Price**

	APC	PN	STN	IB
CIS7 _ _	125	150	156	177

- Holds one robe or towel close to your shower or bathing space



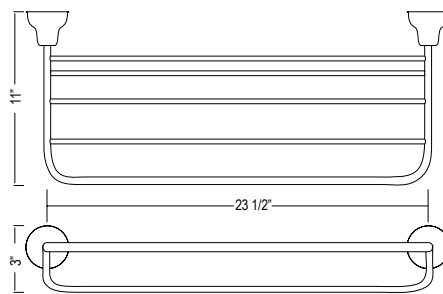
**CIS7D Arcana™ Double Robe Hook**



**Suggested Retail Price**

	APC	PN	STN	IB
CIS7D _ _	131	157	164	186

- Optimize space with this double hook for multiple robe/towel storage



**CIS10 Arcana™ Hotel Style Towel Shelf**



**Suggested Retail Price**

	APC	PN	STN	IB
CIS10 _ _	529	635	661	751

- Ideal for storing and hanging towels in the bathroom
- Hotel style towel shelf and bar



**VERONA™ PRESSURE BALANCE SHOWER OPTION 1**

**Suggested Retail Price**

Model	Description	Polished Chrome
ARB1410	Trim	363
B0314	Handshower	123
D800	Handshower Bar	388
1295	Outlet	102
16295	Hose	53
RCT-1	Rough	183
<b>Total Package List Price With Roughs</b>		<b>1,212</b>

**Note:** Sample configuration priced in Polished Chrome. Other configurations and finishes available. Complete your Shower experience by including one of our decorative drain options.

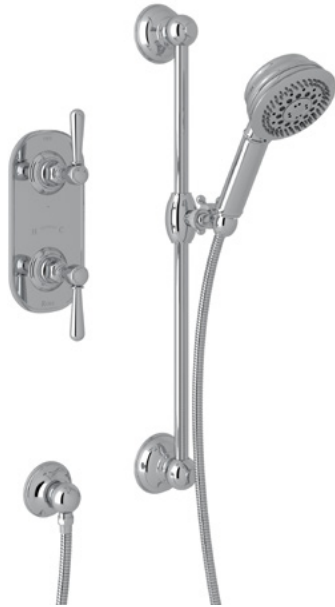


**VERONA™ PRESSURE BALANCE SHOWER OPTION 2**

**Suggested Retail Price**

Model	Description	Polished Chrome
ARB2410	Trim	437
WI0197	Showerhead	178
1440/6	Shower Arm	80
1101/8E	Handshower	220
D800	Handshower Bar	388
1295	Outlet	102
16295	Hose	53
RDD-2	Rough	294
<b>Total Package List Price With Roughs</b>		<b>1,752</b>

**Note:** Sample configuration priced in Polished Chrome. Other configurations and finishes available. Complete your Shower experience by including one of our decorative drain options.



### VERONA™ 1/2" THERMOSTATIC SHOWER OPTION 1

Model	Description	Suggested Retail Price
		Polished Chrome
A2964	Trim	583
1037/8	Showerhead	517
1120/12	Shower Arm	73
B0314	Handshower	123
1201	Handshower Bar	435
1295	Outlet	102
16295	Hose	53
R1055BD	Rough	472
<b>Total Package List Price With Roughs</b>		<b>2,358</b>
R1052BD	Rough (No Share)	405
<b>Total Package List Price With Roughs</b>		<b>2,291</b>

**Note:** Sample configuration priced in Polished Chrome. Other configurations and finishes available. Complete your Shower experience by including one of our decorative drain options.

### VERONA™ 1/2" THERMOSTATIC SHOWER OPTION 2



Model	Description	Suggested Retail Price
		Polished Chrome
A2964	Trim	583
1037/8	Showerhead	517
1120/12	Shower Arm	73
1047/8	Ceiling Showerhead	1,198
1505/3	Ceiling Shower Arm	111
B0314	Handshower	123
1201	Handshower Bar	435
1295	Outlet	102
16295	Hose	53
R1055BD	Rough	472
<b>Total Package List Price With Roughs</b>		<b>3,667</b>
R1053BD	Rough (No Share)	472
<b>Total Package List Price With Roughs</b>		<b>3,667</b>

**Note:** Sample configuration priced in Polished Chrome. Other configurations and finishes available. Complete your Shower experience by including one of our decorative drain options.



QUARTILE

SAN GIOVANNI

SORIANO

TENERIFE

VERONA

VIAGGIO

VINCENT

WAVE

LAVATORY DRAINS

ROUGH-IN VALVES

SHOWER

CARE & MAINTENANCE

TERMS



**VERONA™ 1/2" THERMOSTATIC SHOWER OPTION 3**

Suggested Retail Price

Model	Description	Polished Chrome
A2964	Trim	583
1037/8	Showerhead	517
1120/12	Shower Arm	73
B0314	Handshower	123
CD8000	Handshower Bracket	154
16295	Hose	53
C1703	Tub Spout	205

R1055BD	Rough	472
---------	-------	-----

**Total Package List Price With Roughs 2,180**

R1053BD	Rough (No Share)	472
---------	------------------	-----

**Total Package List Price With Roughs 2,180**

**Note:** Sample configuration priced in Polished Chrome. Other configurations and finishes available. Complete your Shower experience by including one of our decorative drain options.

**VERONA™ 3/4" THERMOSTATIC SHOWER OPTION 1**

Suggested Retail Price

Model	Description	Polished Chrome
A2914	Trim	400
1037/8	Showerhead	517
1120/12	Shower Arm	73
B0314	Handshower	123
1201	Handshower Bar	435
1295	Outlet	102
16295	Hose	53
A2912 (x3)	Volume Controls (x3)	633
1095/8 (x2)	Body Sprays (x2)	732

1005N	Rough	333
-------	-------	-----

R1040R (x3)	Volume Control Rough (x3)	432
-------------	---------------------------	-----

**Total Package List Price With Roughs 3,833**

**Note:** Sample configuration priced in Polished Chrome. Other configurations and finishes available. Complete your Shower experience by including one of our decorative drain options.

# VIAGGIO®

Tuscany, with its rolling hills and rows of cypress trees, has long been a traveler's destination. And the best way to experience Tuscany is in an Italian villa. The Viaggio® Bath Collection emulates faucet designs found in the classic homes of the Tuscan countryside. Viaggio, which means to travel, has soft, sensual shapes, a graceful curve of the spout, and finessed detailing on the base and handles. With an Old World sensibility that's forever timeless, Viaggio is for those who yearn travel to the past while staying present.



A1408XMIB

### Handle Options



*Metal Lever*  
LM



*Cross Handle*  
XM



*Porcelain Lever*  
LP

### Available Finishes:



*Polished Chrome*  
APC



*Polished Nickel*  
PN



*Satin Nickel*  
STN



*Italian Brass*  
IB



*Tuscan Brass®*  
TCB



*Unlacquered Brass*  
ULB

See product page for available finishes



FAUCETS



A1408  
page 338



A2108  
page 338

TUB FILLERS



A1464  
page 338



T1587/T0  
page 328



AKIT1401N  
page 338



C2503  
page 340

SHOWER TRIMS



A2410N  
page 340



A4914  
page 341



A4964  
page 341



A4917  
page 341

PRESSURE BALANCE

1/2" THERMOSTATIC

3/4" THERMOSTATIC

SHOWER PACKAGES



page 345



page 345



page 346



page 346



page 347



page 347





# COMPLEMENTARY ITEMS

See product page for available finishes.

 Home

 Index



**1037/8**  
page 385



**1085/8**  
page 390



**100405**  
page 385



**WI0123**  
page 391



**1475/12**  
page 395



**1151/8**  
page 401



**SOF136**  
page 402



**SDPVC2/3-3142**  
page 421



**D800/1N**  
page 408



**1301E**  
page 407



**1260**  
page 410



**C50000/1**  
page 417

SHOWER



**ROT1/24**  
page 342



**ROT1/18**  
page 342



**ROT7**  
page 343



**ROT10**  
page 344

ACCESSORIES



**SB2015**  
Shaws® Price Book



**U.2525**  
Perrin & Rowe® Price Book



**U2863 with RW2231**  
Perrin & Rowe® Price Book



**WESSEX**  
Victoria + Albert® Price Book

BATH FIXTURES

QUARTILE

SAN GIOVANNI

SORIANO

TENERIFE

VERONA

VASSIO

VINCENT

WAVE

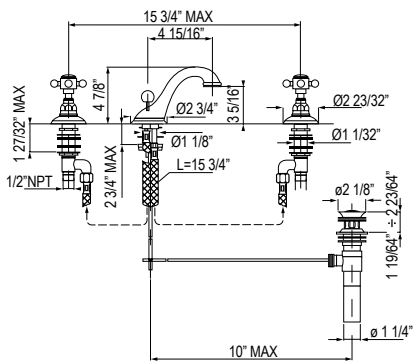
LAVATORY DRAINS

ROUGH-IN VALVES

SHOWER

CARE & MAINTENANCE

TERMS



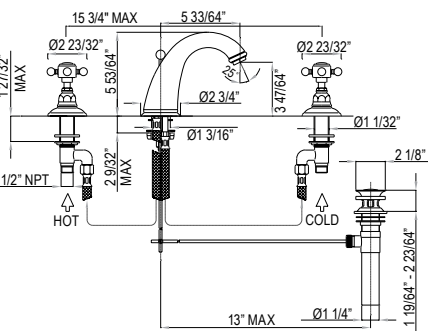
### A1408 Viaggio® Widespread Lavatory Faucet

**Suggested Retail Price**

Handle	APC	PN	STN	IB	TCB	ULB
A1408LM --2	575	690	719	817	817	817
A1408LP --2	575	690	719	817	817	817
A1408XM --2	575	690	719	817	817	817



- Lift rod drain assembly included with faucet
- 1.2 GPM at 60 PSI (CEC compliant)
- Matching tub filler A1464



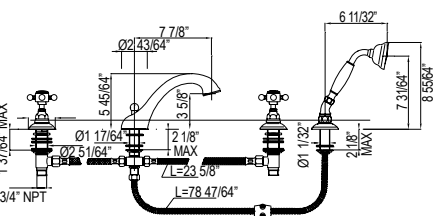
### A2108 Viaggio® Widespread Lavatory Faucet

**Suggested Retail Price**

Handle	APC	PN	STN	IB	TCB
A2108LM --2	793	951	1058	1125	1125
A2108LP --2	793	951	1058	1125	1125
A2108XM --2	793	951	1058	1125	1125



- Lift rod drain assembly included with faucet
- 1.2 GPM at 60 PSI (CEC compliant)



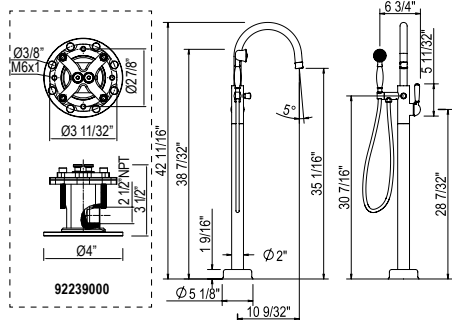
### A1464 Viaggio® 4-Hole Deck Mount Tub Filler

**Suggested Retail Price**

Handle	APC	PN	STN	IB	TCB	ULB
A1464LM --	1744	2093	2225	2477	2477	2477
A1464LP --	1744	2093	2225	2477	2477	2477
A1464XM --	1744	2093	2225	2477	2477	2477



- Single-function anti-calcium handshower at 1.8 GPM at 60 PSI
- 9 GPM at 60 PSI (CEC compliant)
- 3/4" female NPT inlet
- Matching lavatory faucet A1408



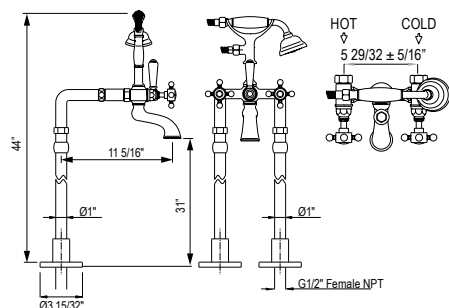
### T1587 Traditional Single Hole Floor Mount Tub Filler Trim

**Suggested Retail Price**

Handle	APC	PN	STN
T1587LM ___/TO	1967	2360	2835



- Single-function anti-calcium handshower at 1.8 GPM at 60 PSI
- 6 GPM at 60 PSI (CEC compliant)
- 1/2" female NPT inlet
- Rough valve sold separately
  - Order R922390000 floor rough valve: \$608
- Remote thermostatic valve may be needed; verify local code requirements



### AKIT1401N Floor Mount Tub Filler

**Suggested Retail Price**

Handle	APC	PN	STN	IB	TCB
AKIT1401NLM ___	2880	3456	3968	4355	4158
AKIT1401NLP ___	2880	3456	3968	4355	4158
AKIT1401NXM ___	2880	3456	3968	4355	4158



- Single-function anti-calcium handshower at 1.8 GPM at 60 PSI
- 10 GPM at 60 PSI (CEC compliant)
- 1/2" female NPT inlet



APC



PN



STN



IB



TCB



ULB



Home



Index

QUARTILE

SAN GIOVANNI

SORIANO

TENERIFE

VERONA

VASSO

VINCENT

WAVE

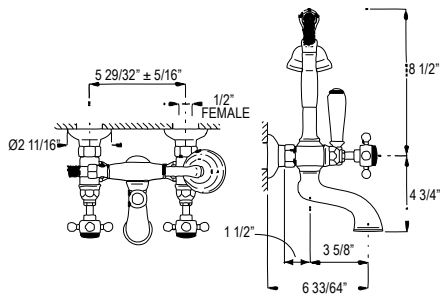
LAVATORY DRAINS

ROUGH-IN VALVES

SHOWER

CARE &amp; MAINTENANCE

TERMS



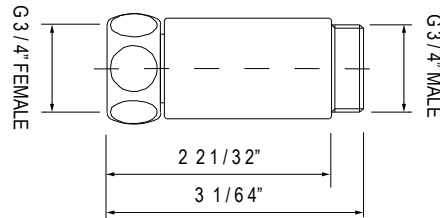
### A1401 Exposed Wall Mount Tub Filler



#### Suggested Retail Price

Handle	APC	PN	STN	IB	TCB
A1401LM	1486	1783	2019	2110	2110
A1401LP	1486	1783	2019	2110	2110
A1401XM	1486	1783	2019	2110	2110

- Single-function anti-calcium handshower at 1.8 GPM at 60 PSI
- 10 GPM at 60 PSI (CEC compliant)
- 1/2" female NPT inlet
- If the deck unions AR00380 or the floor pillar legs ZA386 are used, you MUST include the adaptor C5574EXT. Allow for an extra 2 5/8" in the length. This may affect your rough-in dimensions.



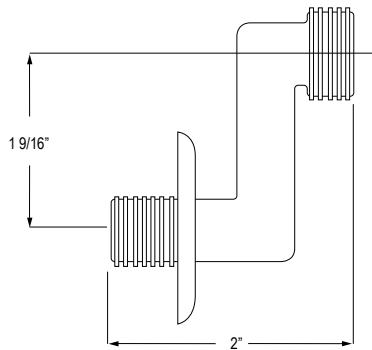
### C5574EXT Union Adaptors



#### Suggested Retail Price

	APC	PN	STN	IB	TCB
C5574EXT	189	189	242	242	242

- 3/4" female NPT inlet
- Allow for an extra 2 5/8" in length. This may affect your rough-in dimensions.



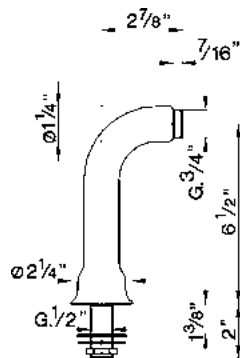
### ZZ9314302/2 Wall Unions



#### Suggested Retail Price

	APC	STN	PN	TCB	IB
ZZ93143021/2	213				
ZZ9314302A/2		389			
ZZ9314302B/2			318		
ZZ9314302V/2				389	
ZZ9314302Z/2					389

- 1/2" NPSM X 3/4" NPSM
- Order C5574EXT for use with A1401, A1901, A2701



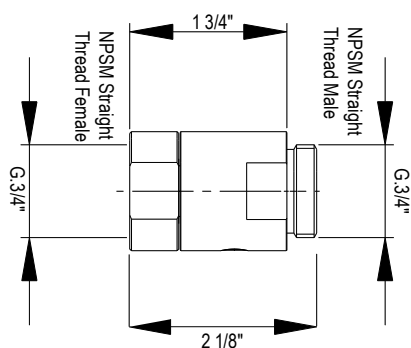
### AR00380 Deck Unions



#### Suggested Retail Price

	APC	PN	STN	IB	TCB
AR00380	549	659	703	780	780

- 1/2" female NPT inlet
- Order C5574EXT for use with A1401, A1901, A2701



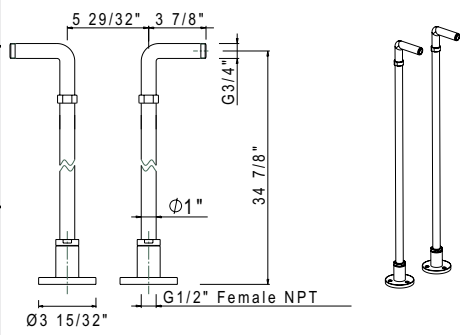
### ZA1038402 Floor Pillar Unions With Shut-Off Valves



#### Suggested Retail Price

	APC	STN	PN	TCB	IB
ZA10384021	205				
ZA1038402A		263			
ZA1038402B			246		
ZA1038402V				292	
ZA1038402Z					292

- Fits ZA386 floor pillar legs



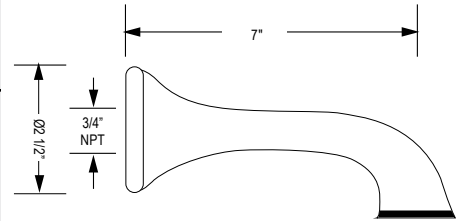
**ZA386 Floor Pillar Unions**



**Suggested Retail Price**

	APC	PN	STN	IB	TCB
ZA386-__	1220	1464	1725	2021	1824

- Cannot be cut down
- 1/2" female NPT inlet
- Extra horizontal reach union adaptors available, order C5574EXT
- Optional support bracket or stanchion not included with floor legs, order separately as ZZ940830 with finish



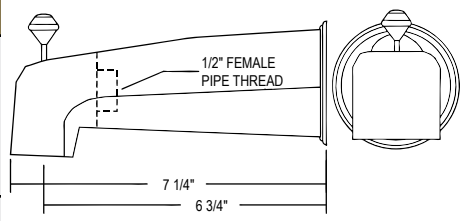
**C2503 Wall Mount Tub Spout**



**Suggested Retail Price**

	APC	PN	STN	IB	TCB	ULB
C2503-__	215	237	279	306	306	306

- 6 GPM at 60 PSI
- 3/4" female NPT inlet



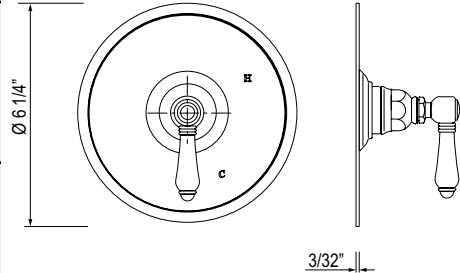
**RT8000 Wall Mount Tub Spout With Diverter**



**Suggested Retail Price**

	APC	PN	STN	IB	TCB
RT8000-__	151	226	226	814	629

- 6 GPM at 60 PSI
- 1/2" female I.P.S. inlet
- If using another rough valve other than the RCT-1 a twin ell may be required by the installer



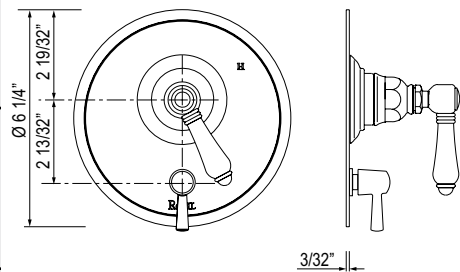
**A1410 1/2" Pressure Balance Trim Without Diverter**



**Suggested Retail Price**

Handle	APC	PN	STN	IB	TCB
A1410LM-__	363	436	556	598	556
A1410LP-__	363	436	556	598	556
A1410XM-__	363	436	556	598	556

- Temperature control only
- 1 function
- Rough valve sold separately  
— Order RCT-1 1/2" Pressure balance rough: \$183



**A2410N 1/2" Pressure Balance Trim With Diverter**



**Suggested Retail Price**

Handle	APC	PN	STN	IB	TCB
A2410NLM-__	437	525	636	711	644
A2410NLP-__	437	525	636	711	644
A2410NXM-__	437	525	636	711	644

- Temperature control with diverter
- 2 function
- Rough valve sold separately  
— Order RDD-2 1/2" Pressure balance rough: \$294



APC



PN



STN



IB



TCB



ULB



Home



Index

QUARTILE

SAN GIOVANNI

SORIANO

TENERIFE

VERONA

CLASSIC

VINCENT

WAVE

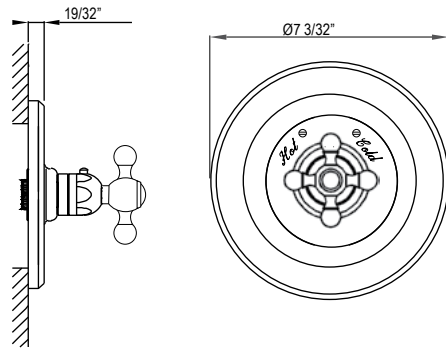
LAVATORY DRAINS

ROUGH-IN VALVES

SHOWER

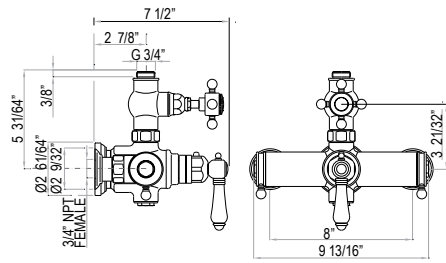
CARE &amp; MAINTENANCE

TERMS

**A4914 3/4" Thermostatic Trim Without Volume Control****Suggested Retail Price**

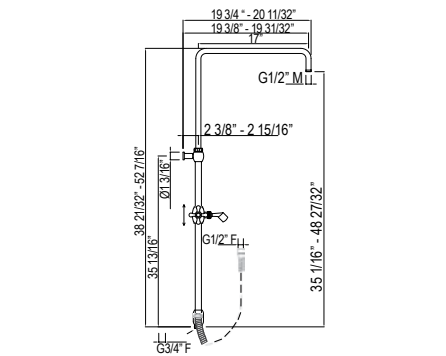
Handle	APC	PN	STN	IB	TCB	ULB
A4914LM	400	480	625	625	625	625
A4914LP	400	480	625	625	625	625
A4914XM	400	480	625	625	625	625

- Temperature control only
- Rough valve sold separately
  - Order 1005N 3/4" thermostatic rough valve: \$333
- Volume control(s) required

**A4917 Exposed Therm Valve with Volume and Temperature Control****Suggested Retail Price**

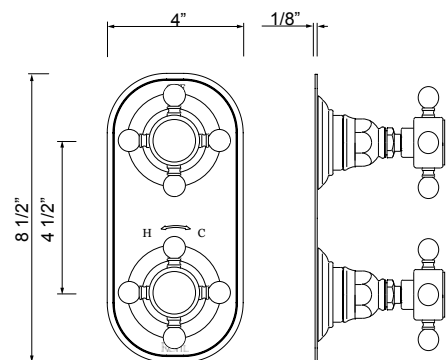
Handle	APC	PN	STN	IB	TCB
A4917LM	2298	3020	3716	4596	4596
A4917LP	2298	3020	3716	4596	4596
A4917XM	2298	3020	3716	4596	4596

- Temperature and volume control
- Cross handle on volume control and metal lever on temperature control for XM model
- 16 GPM at 45 PSI
- Must order 1560 riser to connect to outlet

**1560 Riser With Diverter, Hose And Sliding Handshower Holder****Suggested Retail Price**

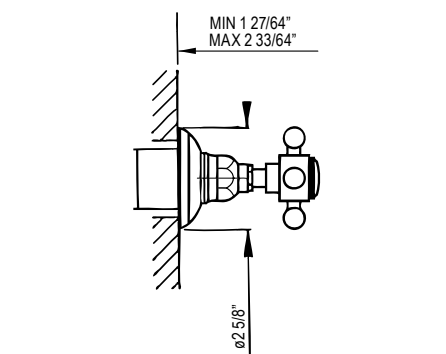
	APC	PN	STN	IB	TCB
1560	1319	1583	1753	1873	1873

- Adjustable height. Upper riser can recess into lower riser and swivel.
- Must order showerhead and handshower separately

**A4964 1/2" Thermostatic Trim with Diverter****Suggested Retail Price**

Handle	APC	PN	STN	IB	TCB	ULB
A4964LM	583	700	916	916	916	916
A4964LP	583	700	916	916	916	916
A4964XM	583	700	916	916	916	916

- Temperature control with diverter
- Rough valve sold separately. Select one:
  - Order R1051BV 1/2" thermostatic 1 function rough valve: \$404
  - Order R1052BD 1/2" thermostatic 2 function rough valve: \$405
  - Order R1053BD 1/2" thermostatic 3 function rough valve: \$472
  - Order R1055BD 1/2" thermostatic 5 function rough valve: \$472

**A4912 Trim For Volume Control And Diverter****Suggested Retail Price**

Handle	APC	PN	STN	IB	TCB	ULB
A4912LM __ TO	211	253	368	368	368	368
A4912LP __ TO	211	253	368	368	368	368
A4912XM __ TO	211	253	368	368	368	368

- Volume control or diverter only
- Rough valve sold separately. Select one:
  - Order R1040R 3/4" volume control rough valve: \$144
  - Order R1062BO 4-port, 3-way dedicated diverter rough valve: \$329

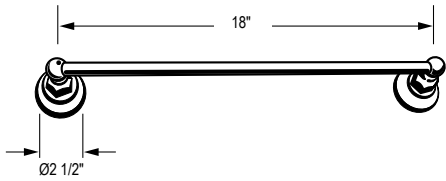


**ROT1/18 18" Towel Bar**

Suggested Retail Price						
	APC	PN	STN	IB	TCB	ULB
ROT1/18 __	218	261	272	309	309	345



- Length can be cut down

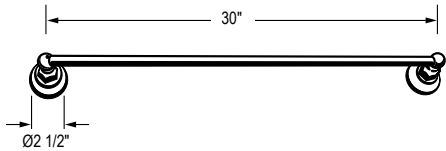


**ROT1/24 24" Towel Bar**

Suggested Retail Price						
	APC	PN	STN	IB	TCB	ULB
ROT1/24 __	231	277	289	328	328	370



- Length can be cut down

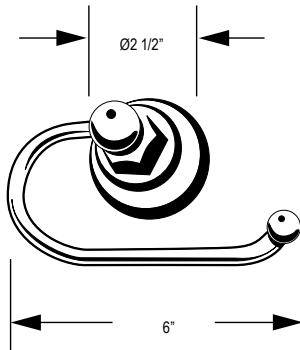


**ROT1/30 30" Towel Bar**

Suggested Retail Price						
	APC	PN	STN	IB	TCB	ULB
ROT1/30 __	243	291	303	344	344	



- Length can be cut down

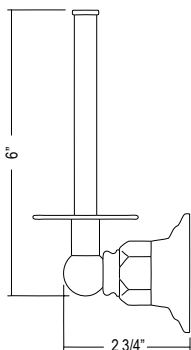


**ROT8 Toilet Paper Holder**

Suggested Retail Price						
	APC	PN	STN	IB	TCB	ULB
ROT8 __	143	171	178	202	202	220



- There's no need to compromise on design in this essential space
- Accommodates most oversized TP rolls



**ROT19 Spare Toilet Paper Holder**

Suggested Retail Price						
	APC	PN	STN	IB	TCB	ULB
ROT19 __	186	223	232	264	264	



- There's no need to compromise on design in this essential space



APC



PN



STN



IB



TCB



ULB



Home



Index

QUARTILE

SAN GIOVANNI

SORIANO

TENERIFE

VERONA

CLASSIC

VINCENT

WAVE

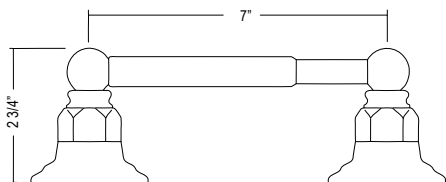
LAVATORY DRAINS

ROUGH-IN VALVES

SHOWER

CARE &amp; MAINTENANCE

TERMS



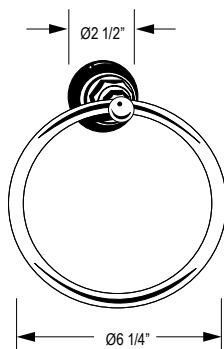
### ROT18 Toilet Paper Holder With Lift Arm

**Suggested Retail Price**

	APC	PN	STN	IB	TCB	ULB
ROT18	243	291	303	344	344	346



- Replacement roll holder available, order TPROLLER



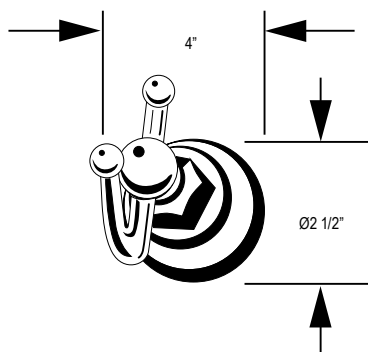
### ROT4 Towel Ring

**Suggested Retail Price**

	APC	PN	STN	IB	TCB	ULB
ROT4	146	175	182	207	207	217



- Elegantly display bath towels in a coordinated fashion with other accessories



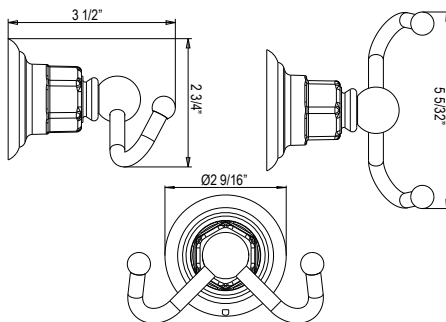
### ROT7 Robe Hook

**Suggested Retail Price**

	APC	PN	STN	IB	TCB
ROT7	131	157	164	186	186



- Holds one robe or towel close to your shower or bathing space



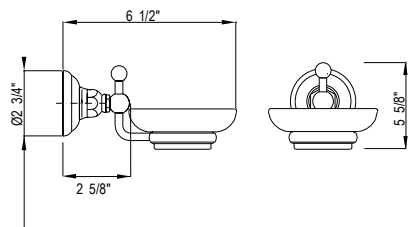
### ROT7D Double Robe Hook

**Suggested Retail Price**

	APC	PN	STN	IB	TCB	ULB
ROT7D	147	176	183	208	208	216



- Optimize space with this double hook for multiple robe/towel storage



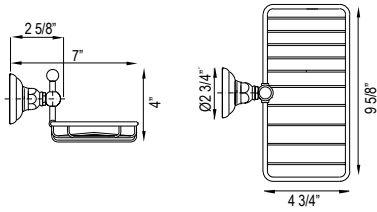
### A1487 Wall Mount Soap Dish

**Suggested Retail Price**

	APC	PN	STN	IB	TCB
A1487	267	321	351	379	379



- Replacement dish part #: C1487/1



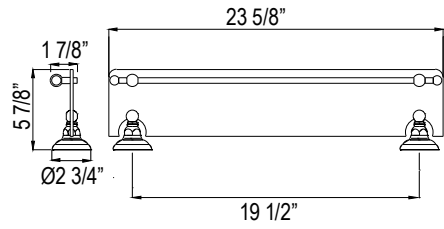
**A1493 Soap Basket**

**Suggested Retail Price**

	APC	PN	STN	IB	TCB
A1493 _ _	322	386	428	457	457



- An elegant addition to the shower space that provides a dedicated holder for your bar soap
- 7" projection



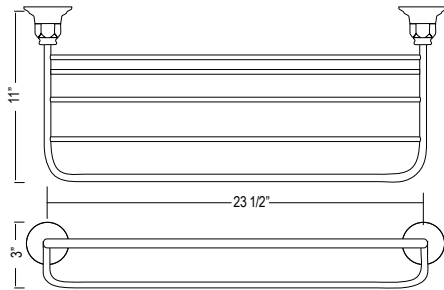
**A1480 Wall Mount Towel Shelf**

**Suggested Retail Price**

	APC	PN	STN	IB	TCB
A1480 _ _	516	616	516	550	550



- Glass replacement part #: C1480/3



**ROT10 Wall Mount Towel Shelf**

**Suggested Retail Price**

	APC	PN	STN	IB	TCB
ROT10 _ _	544	653	680	773	773



- Ideal for storing and hanging towels in the bathroom





### VIAGGIO™ PRESSURE BALANCE SHOWER OPTION 1

Model	Description	Suggested Retail Price
		Polished Chrome
A1410	Trim	363
B0314	Handshower	123
D800	Handshower Bar	388
1295	Outlet	102
16295	Hose	53
RCT-1	Rough	183
<b>Total Package List Price With Roughs</b>		<b>1,212</b>

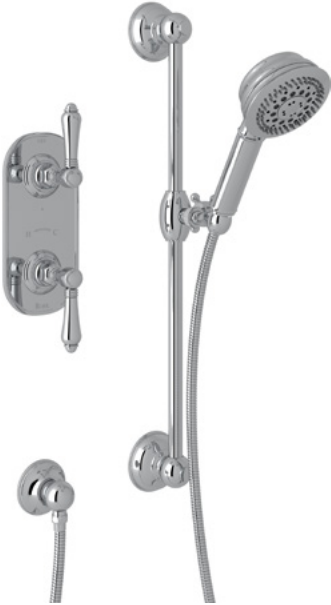
**Note:** Sample configuration priced in Polished Chrome. Other configurations and finishes available. Complete your Shower experience by including one of our decorative drain options.



### VIAGGIO™ PRESSURE BALANCE SHOWER OPTION 2

Model	Description	Suggested Retail Price
		Polished Chrome
A2410	Trim	437
WI0197	Showerhead	178
1440/6	Shower Arm	80
1101/8E	Handshower	220
D800	Handshower Bar	388
1295	Outlet	102
16295	Hose	53
RDD-2	Rough	294
<b>Total Package List Price With Roughs</b>		<b>1,752</b>

**Note:** Sample configuration priced in Polished Chrome. Other configurations and finishes available. Complete your Shower experience by including one of our decorative drain options.



**VIAGGIO™ 1/2" THERMOSTATIC SHOWER OPTION 1**

Suggested Retail Price

Model	Description	Polished Chrome
A4964	Trim	583
1037/8	Showerhead	517
1120/12	Shower Arm	73
B0314	Handshower	123
1201	Handshower Bar	435
1295	Outlet	102
16295	Hose	53
R1055BD	Rough	472
<b>Total Package List Price With Roughs</b>		<b>2,358</b>
R1052BD	Rough (No Share)	405
<b>Total Package List Price With Roughs</b>		<b>2,291</b>

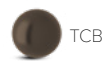
**Note:** Sample configuration priced in Polished Chrome. Other configurations and finishes available. Complete your Shower experience by including one of our decorative drain options.

**VIAGGIO™ 1/2" THERMOSTATIC SHOWER OPTION 2**

Suggested Retail Price

Model	Description	Polished Chrome
A4964	Trim	583
1037/8	Showerhead	517
1120/12	Shower Arm	73
1047/8	Ceiling Showerhead	1,198
1505/3	Ceiling Shower Arm	111
B0314	Handshower	123
1201	Handshower Bar	435
1295	Outlet	102
16295	Hose	53
R1055BD	Rough	472
<b>Total Package List Price With Roughs</b>		<b>3,667</b>
R1053BD	Rough (No Share)	472
<b>Total Package List Price With Roughs</b>		<b>3,667</b>

**Note:** Sample configuration priced in Polished Chrome. Other configurations and finishes available. Complete your Shower experience by including one of our decorative drain options.

**VIAGGIO™ 1/2" THERMOSTATIC SHOWER OPTION 3**

Suggested Retail Price

Model	Description	Polished Chrome
A4964	Trim	583
1037/8	Showerhead	517
1120/12	Shower Arm	73
B0314	Handshower	123
CD8000	Handshower Bracket	154
16295	Hose	53
C2503	Tub Spout	215
R1055BD	Rough	472
<b>Total Package List Price With Roughs</b>		<b>2,190</b>
R1053BD	Rough (No Share)	472
<b>Total Package List Price With Roughs</b>		<b>2,190</b>

**Note:** Sample configuration priced in Polished Chrome. Other configurations and finishes available. Complete your Shower experience by including one of our decorative drain options.

**VIAGGIO™ 3/4" THERMOSTATIC SHOWER OPTION 1**

Suggested Retail Price

Model	Description	Polished Chrome
A4914	Trim	400
1037/8	Showerhead	517
1120/12	Shower Arm	73
B0314	Handshower	123
1201	Handshower Bar	435
1295	Outlet	102
16295	Hose	53
A4912 (x3)	Volume Controls (x3)	633
1095/8 (x2)	Body Sprays (x2)	732
1005N	Rough	333
R1040R (x3)	Volume Control Rough (x3)	432
<b>Total Package List Price With Roughs</b>		<b>3,833</b>

**Note:** Sample configuration priced in Polished Chrome. Other configurations and finishes available. Complete your Shower experience by including one of our decorative drain options.





# VINCENT™

The resort town of Saint-Vincent on the northern tip of Italy, is known as the Alpine Riviera and boasts some of the highest peaks in the Alps. ROHL®'s Vincent™ Collection for the bath reflects the shapes and angles of the town's surrounding highlands. The handle base forms a pyramid, emulating a mountain's elevation. The top of the faucet comes to a subtle point in a pinnacle of clean, crisp lines and planes. This is a Collection of substance, of design with a modern edge and strong presence that stands out in contemporary and transitional style.



A1008LNAPC

## Handle Options



*Metal Lever*  
LV

## Available Finishes:



*Polished Chrome*  
APC



*Polished Nickel*  
PN



*Satin Nickel*  
STN

*See product page for available finishes*



FAUCETS



A3002  
page 352



A1008  
page 352

TUB FILLERS



A1004  
page 352



AKIT3001N  
page 352



A1003  
page 352

SHOWER TRIMS



A1010  
page 353



A2010N  
page 353



A4014  
page 353



A4064  
page 353

SHOWER PACKAGES

PRESSURE BALANCE

1/2" THERMOSTATIC

3/4" THERMOSTATIC



page 356



page 356



page 357



page 357



page 358



page 358



# COMPLEMENTARY ITEMS

See product page for available finishes.

 Home

 Index



**SLM05**  
page 388



**I00598**  
page 389



**I00131**  
page 389



**I00405**  
page 385



**1505/6**  
page 397



**1120**  
page 396



**1410/16**  
page 396



**SDPVC2/3-3142**  
page 421



**1340**  
page 409



**C21000**  
page 416



**1265**  
page 410



**L0095KIT1**  
page 403



**VIN1/24**  
page 354



**VIN8**  
page 354



**VIN4**  
page 354



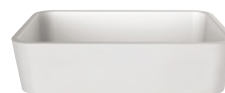
**VIN7**  
page 355



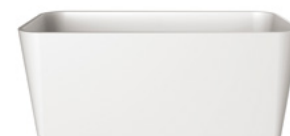
**SB1814**  
Shaws® Price Book



**SB2015**  
Shaws® Price Book



**EDGE 45**  
Victoria + Albert® Price Book



**EDGE**  
Victoria + Albert® Price Book

SHOWER

ACCESSORIES

BATH FIXTURES

QUARTILE

SAN GIOVANNI

SORIANO

TENERIFE

VERONA

VIAGGIO

VISCONTI

WAVE

LAVATORY DRAINS

ROUGH-IN VALVES

SHOWER

CARE & MAINTENANCE

TERMS



QUARTILE

SAN GIOVANNI

SORIANO

TENERIFE

VERONA

VIAGGIO

VINCENT

WAVE

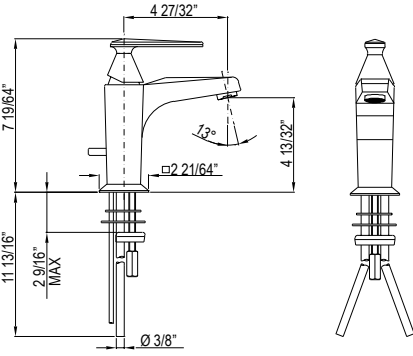
LAVATORY DRAINS

ROUGH-IN VALVES

SHOWER

CARE & MAINTENANCE

TERMS



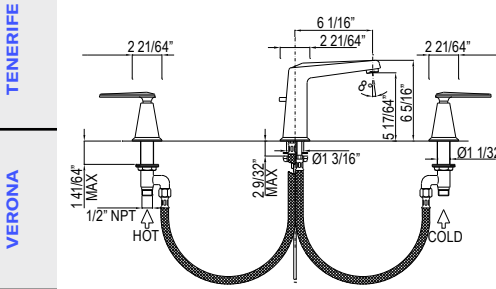
### A3002 Vincent™ Single Handle Lavatory Faucet



**Suggested Retail Price**

Handle	APC	PN	STN
A3002LV _ _ -2	1205	1445	1562

- Lift rod drain assembly included with faucet
- 1.2 GPM at 60 PSI (CEC compliant)



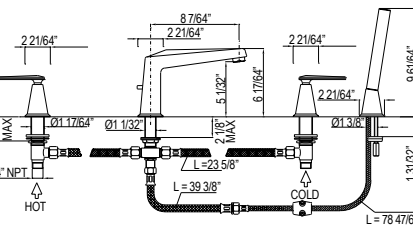
### A1008 Vincent™ Widespread Lavatory Faucet



**Suggested Retail Price**

Handle	APC	PN	STN
A1008LV _ _ -2	1406	1688	1933

- Lift rod drain assembly included with faucet
- 1.2 GPM at 60 PSI (CEC compliant)



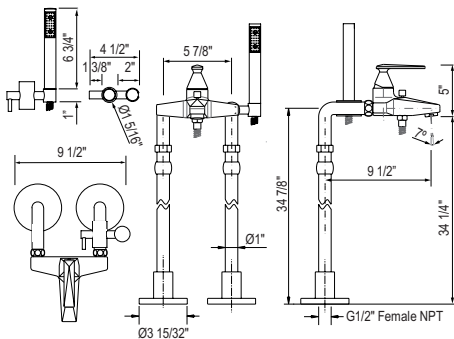
### A1004 Vincent™ 4-Hole Deck Mount Tub Filler



**Suggested Retail Price**

Handle	APC	PN	STN
A1004LV _ _ _	3024	3628	3922

- Single-function anti-calcium handshower at 1.8 GPM at 60 PSI
- 9 GPM at 60 PSI (CEC compliant)
- 3/4" female NPT inlet
- Matching lav set A1008LV



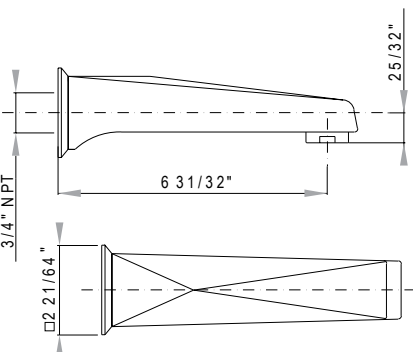
### AKIT3001N Vincent™ Floor Mount Tub Filler



**Suggested Retail Price**

Handle	APC	PN	STN
AKIT3001NLV _ _ _	3066	3679	4124

- Single-function anti-calcium handshower at 1.8 GPM at 60 PSI
- 5 GPM at 60 PSI (CEC compliant)
- 1/2" female NPT inlet
- 2" straight union extensions available, order part # C7205EXT+FINISH for a set of two.



### A1003 Vincent™ Wall Mount Tub Spout

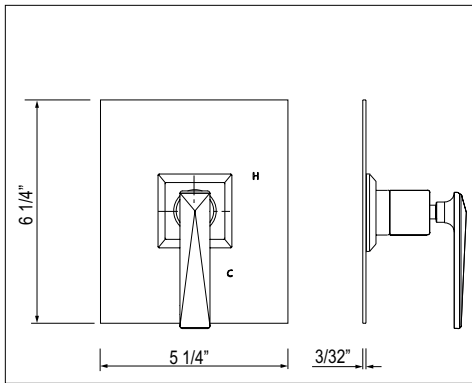


**Suggested Retail Price**

Handle	APC	PN	STN
A1003 _ _ _	370	444	477

- 6 GPM at 60 PSI
- 3/4" female NPT inlet
- If 1/2" required, you may purchase a 3/4" x 1/2" nipple at any hardware store

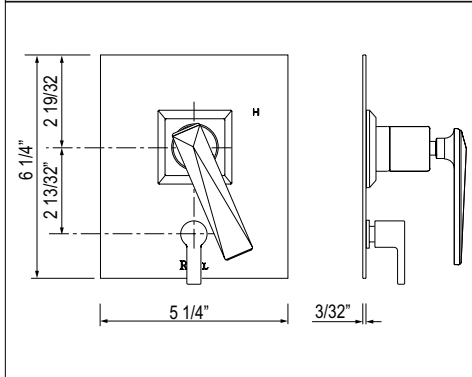



**A1010 Vincent™ 1/2" Pressure Balance Trim Without Diverter**

**Suggested Retail Price**

Handle	APC	PN	STN
A1010LV	520	623	666

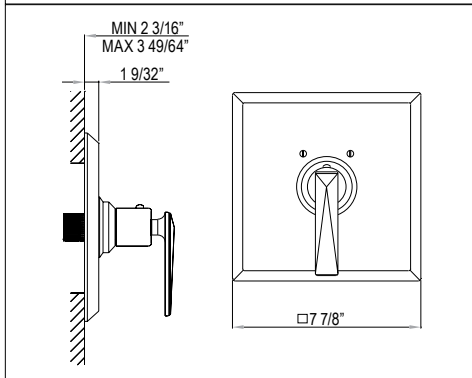
- Temperature control only
- 1 function
- Rough valve sold separately
  - Order RCT-1 1/2" Pressure balance rough: \$183


**A2010N Vincent™ 1/2" Pressure Balance Trim With Diverter**

**Suggested Retail Price**

Handle	APC	PN	STN
A2010NLV	594	712	745

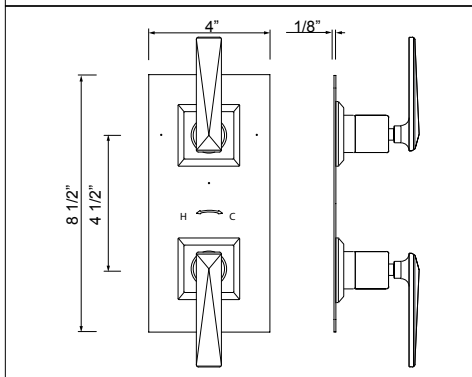
- Temperature control with diverter
- 2 function
- Rough valve sold separately
  - Order RDD-2 1/2" Pressure balance rough: \$294


**A4014 Vincent™ 3/4" Thermostatic Trim Without Volume Control**

**Suggested Retail Price**

Handle	APC	PN	STN
A4014LV	771	925	1001

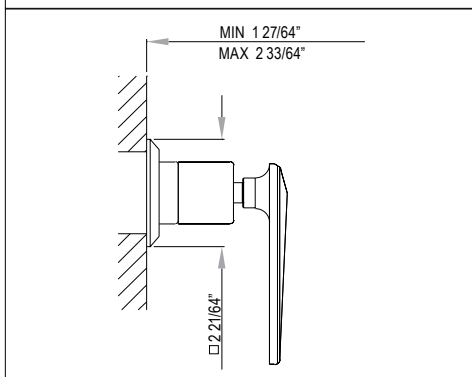
- Temperature control only
- Rough valve sold separately
  - Order 1005N 3/4" thermostatic rough valve: \$333
- Volume control(s) required


**A4064 Vincent™ 1/2" Thermostatic Trim with Diverter**

**Suggested Retail Price**

Handle	APC	PN	STN
A4064LV	907	1088	1141

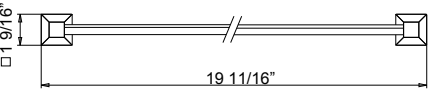
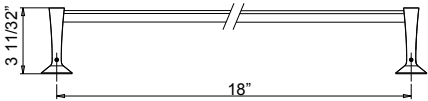
- Temperature control with diverter
- Up to 5 functions
- Rough valve sold separately. Select one:
  - Order R1051BV 1/2" thermostatic 1 function rough valve: \$404
  - Order R1052BD 1/2" thermostatic 2 function rough valve: \$405
  - Order R1053BD 1/2" thermostatic 3 function rough valve: \$472
  - Order R1055BD 1/2" thermostatic 5 function rough valve: \$472


**A4012 Vincent™ Trim For Volume Control And Diverter**

**Suggested Retail Price**

Handle	APC	PN	STN
A4012LV	372	447	480

- Volume control or diverter only
- Rough valve sold separately. Select one:
  - Order R1040R 3/4" volume control rough valve: \$144
  - Order R1062BO 4-port, 3-way dedicated diverter rough valve: \$329



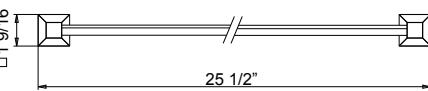
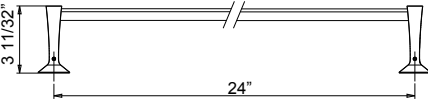
**VIN1/18 Vincent™ 18" Towel Bar**

**Suggested Retail Price**

	APC	PN	STN
VIN1/18 _ _	223	267	279



- Length cannot be cut down



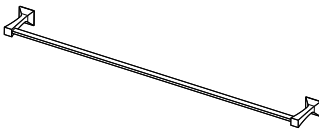
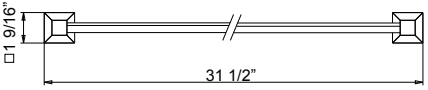
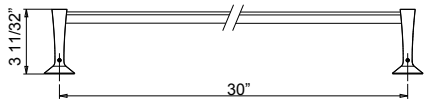
**VIN1/24 Vincent™ 24" Towel Bar**

**Suggested Retail Price**

	APC	PN	STN
VIN1/24 _ _	232	279	290



- Length cannot be cut down



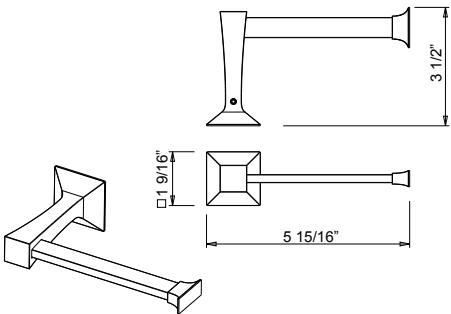
**VIN1/30 Vincent™ 30" Towel Bar**

**Suggested Retail Price**

	APC	PN	STN
VIN1/30 _ _	257	308	321



- Length cannot be cut down



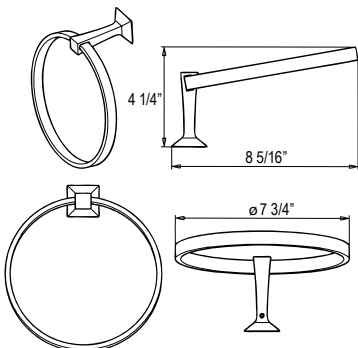
**VIN8 Vincent™ Toilet Paper Holder**

**Suggested Retail Price**

	APC	PN	STN
VIN8 _ _ _	153	183	191



- There's no need to compromise on design in this essential space
- Accommodates most oversized TP rolls



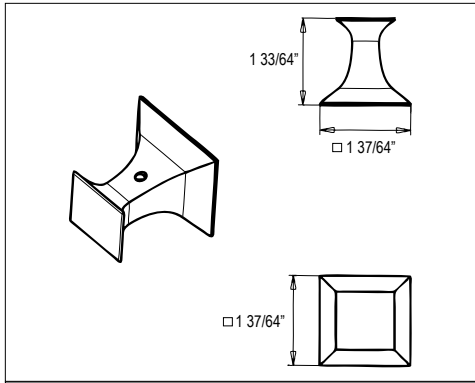
**VIN4 Vincent™ Towel Ring**

**Suggested Retail Price**

	APC	PN	STN
VIN4 _ _ _	245	293	306



- Elegantly display bath towels in a coordinated fashion with other accessories



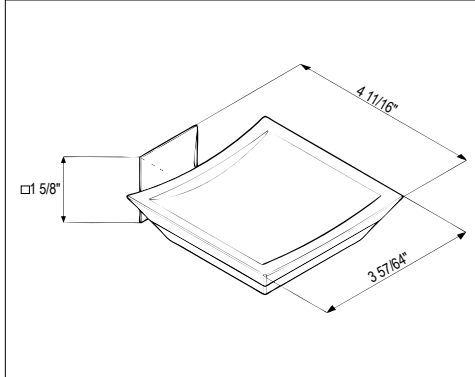
**VIN7 Vincent™ Robe Hook**



- Holds one robe or towel close to your shower or bathing space

**Suggested Retail Price**

	APC	PN	STN
VIN7	66	80	83



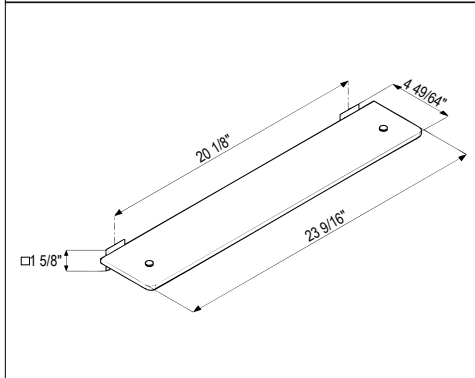
**VIN1487 Vincent™ Wall Mount Acrylic Soap Dish**



- Soap dish made of clear acrylic

**Suggested Retail Price**

	APC	PN	STN
VIN1487	245	293	306



**VIN12 Vincent™ Wall Mount Glass Vanity Shelf**



- Tempered glass

**Suggested Retail Price**

	APC	PN	STN
VIN12	263	316	329



**VINCENT™ PRESSURE BALANCE SHOWER OPTION 1**

Suggested Retail Price

Model	Description	Polished Chrome
A1010LV	Trim	520
B00102	Handshower	154
D63000	Handshower Bar	158
E824	Outlet	66
16295	Hose	53
RCT-1	Rough	183
<b>Total Package List Price With Roughs</b>		<b>1,134</b>

**Note:** Sample configuration priced in Polished Chrome. Other configurations and finishes available. Complete your Shower experience by including one of our decorative drain options.



**VINCENT™ PRESSURE BALANCE SHOWER OPTION 2**

Suggested Retail Price

Model	Description	Polished Chrome
A2010NLV	Trim	594
I00598	Showerhead	677
1120/12	Shower Arm	73
B00102	Handshower	154
D63000	Handshower Bar	158
E824	Outlet	66
16295	Hose	53
RDD-2	Rough	294
<b>Total Package List Price With Roughs</b>		<b>2,069</b>

**Note:** Sample configuration priced in Polished Chrome. Other configurations and finishes available. Complete your Shower experience by including one of our decorative drain options.





**VINCENT™ 1/2" THERMOSTATIC SHOWER OPTION 1**

		Suggested Retail Price
Model	Description	Polished Chrome
A4064LV	Trim	907
I00598	Showerhead	677
1120/12	Shower Arm	73
B00102	Handshower	154
D63000	Handshower Bar	158
E824	Outlet	66
16295	Hose	53
<b>Total Package List Price With Roughs</b>		<b>2,560</b>
R1055BD	Rough	472
<b>Total Package List Price With Roughs</b>		<b>2,493</b>

**Note:** Sample configuration priced in Polished Chrome. Other configurations and finishes available. Complete your Shower experience by including one of our decorative drain options.



**VINCENT™ 1/2" THERMOSTATIC SHOWER OPTION 2**

		Suggested Retail Price
Model	Description	Polished Chrome
A4064LV	Trim	907
I00598	Showerhead	677
1120/12	Shower Arm	73
SLM06	Ceiling Showerhead	745
1505/3	Ceiling Shower Arm	111
B00102	Handshower	154
D63000	Handshower Bar	158
E824	Outlet	66
16295	Hose	53
<b>Total Package List Price With Roughs</b>		<b>3,416</b>
R1055BD	Rough	472
<b>Total Package List Price With Roughs</b>		<b>3,416</b>

**Note:** Sample configuration priced in Polished Chrome. Other configurations and finishes available. Complete your Shower experience by including one of our decorative drain options.



**VINCENT™ 1/2" THERMOSTATIC SHOWER OPTION 3**

Suggested Retail Price

Model	Description	Polished Chrome
A4064LV	Trim	907
I00598	Showerhead	677
1120/12	Shower Arm	73
B00102	Handshower	154
C21000	Handshower Bracket	118
16295	Hose	53
A1003	Tub Spout	370
R1055BD	Rough	472
<b>Total Package List Price With Roughs</b>		<b>2,824</b>
R1053BD	Rough (No Share)	472
<b>Total Package List Price With Roughs</b>		<b>2,824</b>

**Note:** Sample configuration priced in Polished Chrome. Other configurations and finishes available. Complete your Shower experience by including one of our decorative drain options.

**VINCENT™ 3/4" THERMOSTATIC SHOWER OPTION 1**

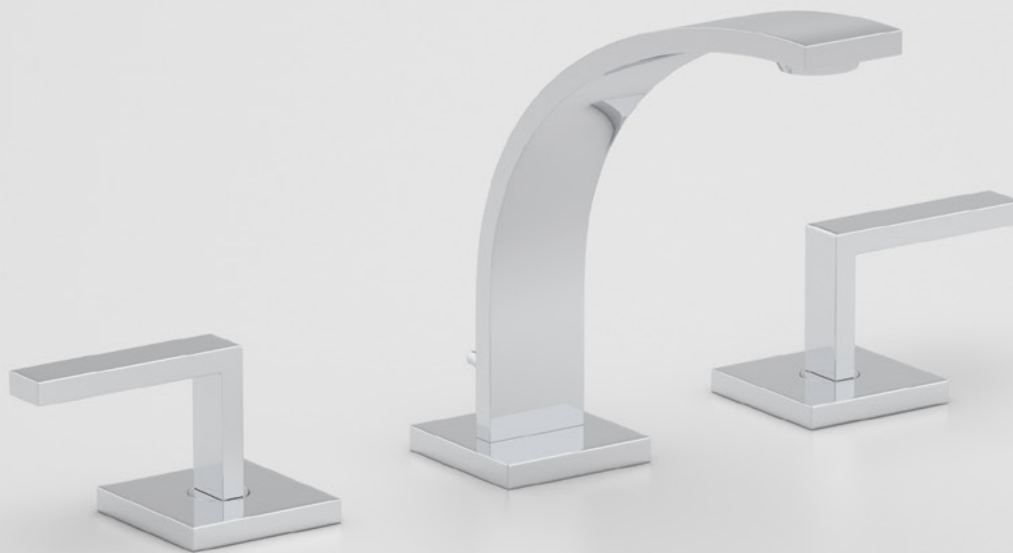
Suggested Retail Price

Model	Description	Polished Chrome
A4014LV	Trim	771
I00598	Showerhead	677
1120/12	Shower Arm	73
B00102	Handshower	154
D63000	Handshower Bar	158
E824	Outlet	66
16295	Hose	53
A4012LV (x3)	Volume Controls (x3)	1,116
24960 (x2)	Body Sprays (x2)	904
1005N	Rough	333
R1040R (x3)	Volume Control Rough (x3)	432
<b>Total Package List Price With Roughs</b>		<b>4,737</b>

**Note:** Sample configuration priced in Polished Chrome. Other configurations and finishes available. Complete your Shower experience by including one of our decorative drain options.

# WAVE™

The ultra-sleek, ultra-luxury Wave™ Collection for the bath comes from the imagination of Italian designer Nevio Tellatin, known for pushing the boundaries of form and line. Designed for ROHL®, this Collection combines geometry and nature for a truly modern piece that's a work of art. The faucet's streamlined and aerodynamic curve captures the flowing motion of an arc of water, juxtaposed with right-angled handles. Sophisticated, seamless, and striking, Wave is a stand-out addition to baths of luxurious modern style.



WA102LAPC

## Handle Options



*Metal Lever  
L*

## Available Finishes:



*Polished Chrome  
APC*



*Satin Nickel  
STN*

*See product page for available finishes*



APC



STN

FAUCETS



WA652  
page 362



WA102  
page 362



WA751  
page 362

TUB FILLERS



WA26  
page 362



WA721  
page 363



WA24  
page 363

SHOWER TRIMS



WA111  
page 363



WA210N  
page 363



WA720  
page 364



WA390L  
page 364

SHOWER PACKAGES

PRESSURE BALANCE

1/2" THERMOSTATIC

3/4" THERMOSTATIC



page 367



page 367



page 368



page 368



page 369



page 369



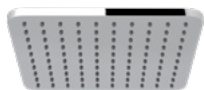


# COMPLEMENTARY ITEMS

See product page for available finishes.

 Home

 Index



**I00597**  
page 388



**SLM05**  
page 388



**I00131**  
page 389



**I00180**  
page 392



**1510/3**  
page 397



**1410/16**  
page 396



**B0315**  
page 400



**SDPVC2/3-3143**  
page 421

SHOWER



**1340**  
page 409



**1266**  
page 411



**NEW** **0126SBHS1**  
page 318



**L0095KIT1**  
page 403



**QU102**  
page 365



**QU420**  
page 365



**QU220**  
page 366



**QU710**  
page 366

ACCESSORIES



**SB1715**  
Shaws® Price Book



**SB2321**  
Shaws® Price Book



**iOS 54**  
Victoria + Albert® Price Book



**TRIVENTO**  
Victoria + Albert® Price Book

BATH FIXTURES

QUARTILE

SAN GIOVANNI

SORIANO

TENERIFE

VERONA

VIAGGIO

VINCENT

WAVE

LAVATORY DRAINS

ROUGH-IN VALVES

SHOWER

CARE & MAINTENANCE

TERMS



QUARTILE

SAN GIOVANNI

SORIANO

TENERIFE

VERONA

VIAGGIO

VINCENT

WAVE

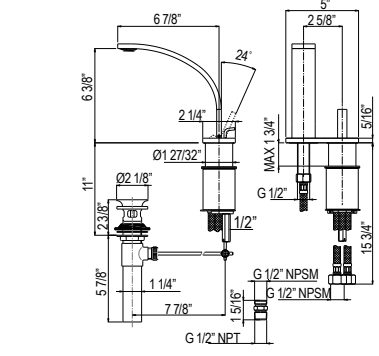
LAVATORY DRAINS

ROUGH-IN VALVES

SHOWER

CARE & MAINTENANCE

TERMS



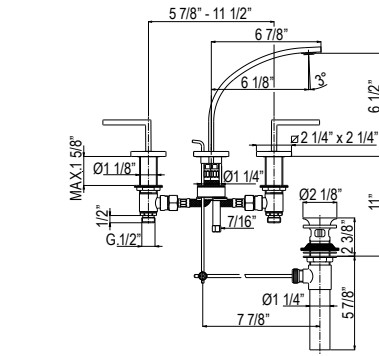
### WA652 Wave™ Single Handle Lavatory Faucet



#### Suggested Retail Price

Handle	APC	STN
WA652L- - - -2	2625	3639

- Lift rod drain assembly included with faucet
- 1.2 GPM at 60 PSI (CEC compliant)
- Does not fit pedestal sinks
- Matching tub filler WA26L



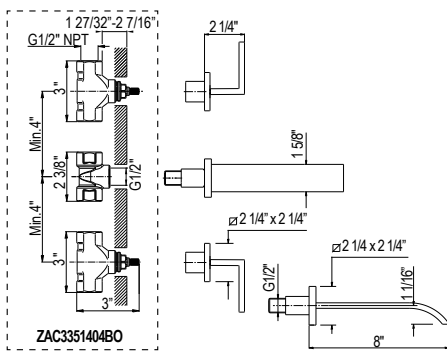
### WA102 Wave™ Widespread Lavatory Faucet



#### Suggested Retail Price

Handle	APC	STN
WA102L- - - -2	1621	2311

- Lift rod drain assembly included with faucet
- 1.2 GPM at 60 PSI (CEC compliant)
- Matching tub filler WA26L



### WA751 Wave™ Wall Mount Lavatory Faucet



#### Suggested Retail Price

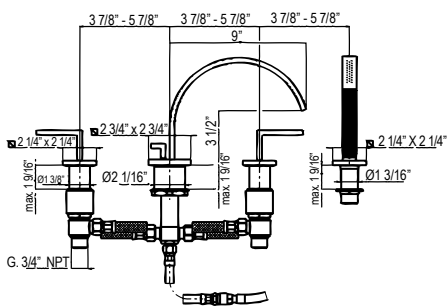
Handle	APC	STN
WA751L- - - /TO-2	1345	1938

- Drain sold separately. See drain options below and Lavatory Drain tab for pricing
- 1.2 GPM at 60 PSI (CEC compliant)
- Rough valve sold separately  
— Order ZAC3351104BO wall rough valve: \$276
- Matching tub filler WA721L

See Lavatory Drains tab for pricing.



5445      5447      6442      7444      8446      CC231OFWO      0127DOF      CNZREMOTE      U.6702



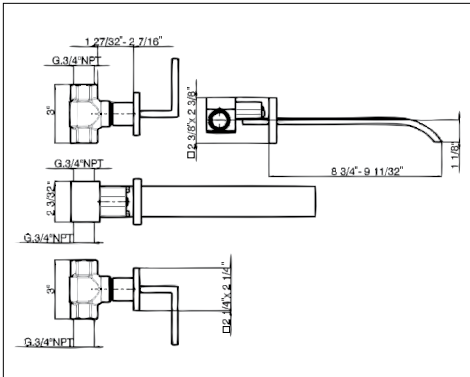
### WA26 Wave™ 4-Hole Deck Mount Tub Filler



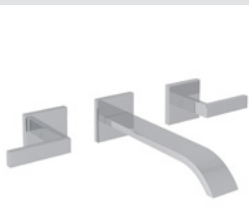
#### Suggested Retail Price

Handle	APC	STN
WA26L- - - -	3380	4726

- Single-function anti-calcium handshower at 1.8 GPM at 60 PSI
- 16 GPM at 60 PSI (CEC compliant)
- 3/4" female NPT inlet
- Matching lavatory faucet WA102L

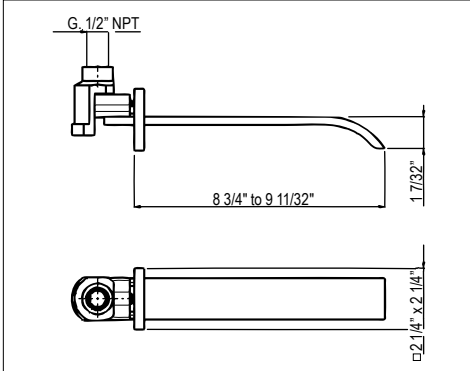


**WA721 Wave™ Wall Mount Tub Filler**



- Rough valve included
- 10 GPM at 60 PSI
- 3/4" female NPT inlet
- Spout connection and rough for wall valves are an integrated assembly. Do not set finish wall until the rough assembly is installed.
- Matching lavatory faucet WA102L

Handle	Suggested Retail Price	
	APC	STN
WA721L-	1874	2618

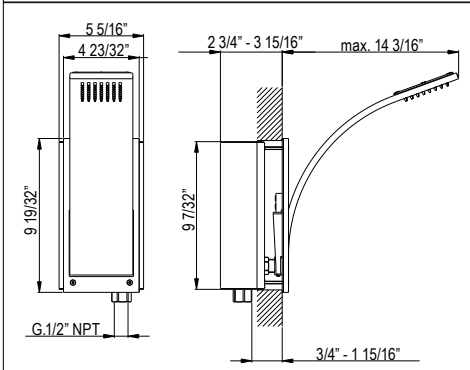


**WA24 Wave™ Wall Mount Tub Spout**



- 10 GPM at 60 PSI
- 1/2" female NPT inlet

Handle	Suggested Retail Price	
	APC	STN
WA24-	1097	1533

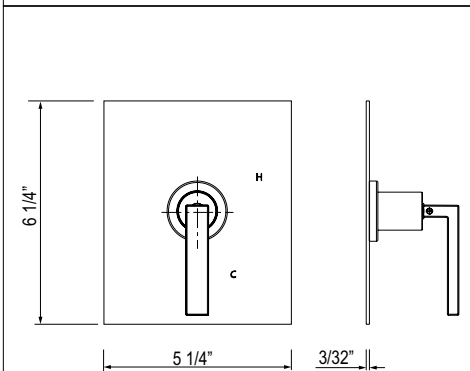


**WA1319 15" x 6" Rain Showerhead With Arm**



- Must be installed at framing stage
- Complements Wave™ collection and other transitional designs
- 1 function
- 1.8 GPM at 60 PSI (CEC compliant)

Handle	Suggested Retail Price	
	APC	STN
WA1319-	3858	4822

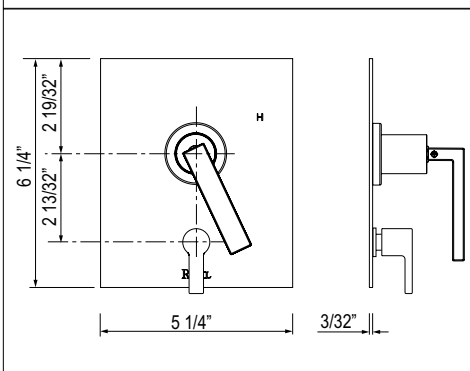


**WA111 Wave™ 1/2" Pressure Balance Trim Without Diverter**



- Temperature control only
- 1 function
- Rough valve sold separately  
— Order RCT-1 1/2" Pressure balance rough: \$183

Handle	Suggested Retail Price	
	APC	STN
WA111L-	449	598



**WA210N Wave™ 1/2" Pressure Balance Trim With Diverter**



- Temperature control with diverter
- 2 function
- Rough valve sold separately  
— Order RDD-2 1/2" Pressure balance rough: \$294

Handle	Suggested Retail Price	
	APC	STN
WA210NL-	523	677



QUARTILE

SAN GIOVANNI

SORIANO

TENERIFE

VERONA

VIAGGIO

VINCENT

WAVE

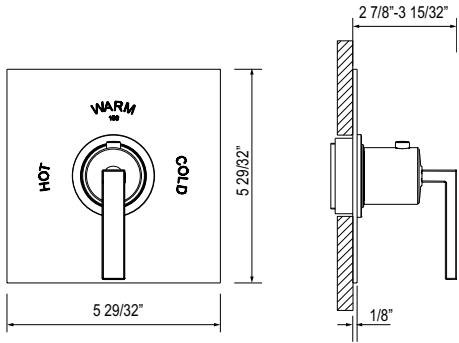
LAVATORY DRAINS

ROUGH-IN VALVES

SHOWER

CARE & MAINTENANCE

TERMS



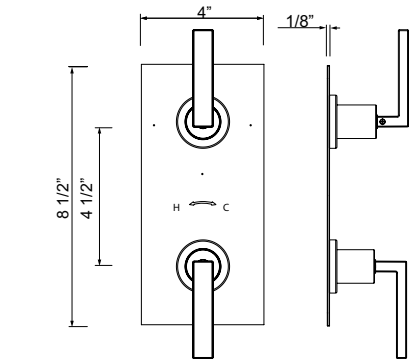
**WA720 Wave™ 3/4" Thermostatic Trim Without Volume Control**



**Suggested Retail Price**

Handle	APC	STN
WA720L- _ _ /TO	375	500

- Temperature control only
- Rough valve sold separately
  - Order 1005N 3/4" thermostatic rough valve: \$333
- Volume control(s) required



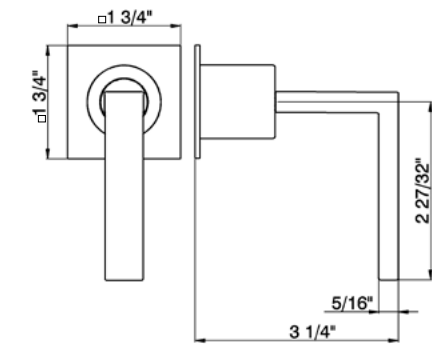
**WA390 Wave™ 1/2" Thermostatic Trim with Diverter**



**Suggested Retail Price**

Handle	APC	STN
WA390L- _ _ /TO	765	1005

- Temperature control with diverter
- Up to 5 functions
- Rough valve sold separately. Select one:
  - Order R1051BV 1/2" thermostatic 1 function rough valve: \$404
  - Order R1052BD 1/2" thermostatic 2 function rough valve: \$405
  - Order R1053BD 1/2" thermostatic 3 function rough valve: \$472
  - Order R1055BD 1/2" thermostatic 5 function rough valve: \$472



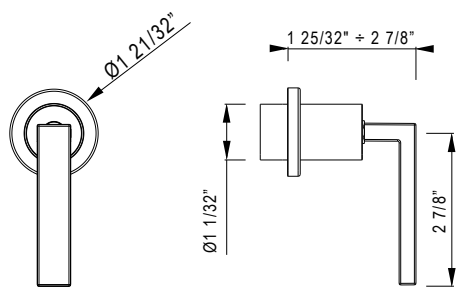
**WA31 Wave™ Trim For Volume Control And Diverter**



**Suggested Retail Price**

Handle	APC	STN
WA31L- _ _ /TO	384	533

- Volume control or diverter only
- Rough valve sold separately. Select one:
  - Order R1040R 3/4" volume control rough valve: \$144
  - Order R1062BO 4-port, 3-way dedicated diverter rough valve: \$329



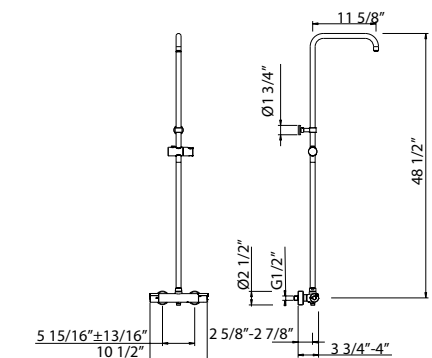
**WA195 Wave™ Trim For Volume Control And Diverter**



**Suggested Retail Price**

Handle	APC	STN
WA195L- _ _ /TO	301	412

- Volume control or diverter only
- Rough valve sold separately. Select one:
  - Order R1040R 3/4" volume control rough valve: \$144
  - Order R1062BO 4-port, 3-way dedicated diverter rough valve: \$329



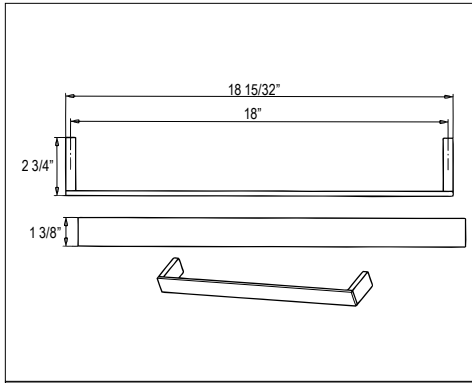
**C72 Exposed Wall Mount Thermostatic Shower With Diverter**



**Suggested Retail Price**

	APC	STN
C72- _ _	635	901

- Temperature and volume control
- 1/2" female connections



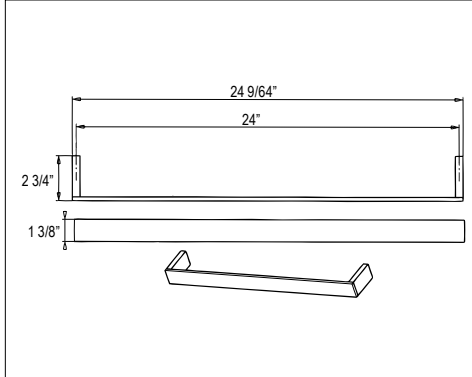
**QU101** Quartile™ 18" Towel Bar

**Suggested Retail Price**

	APC	STN
QU101- _ _	279	348



- Length cannot be cut down



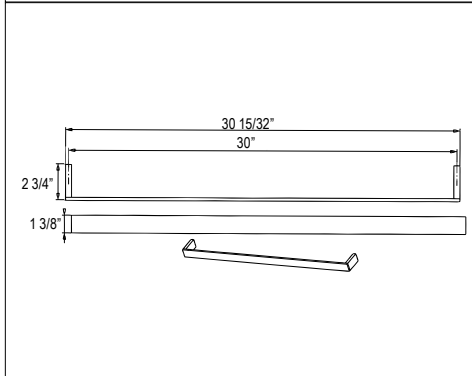
**QU102** Quartile™ 24" Towel Bar

**Suggested Retail Price**

	APC	STN
QU102- _ _	341	427



- Length cannot be cut down



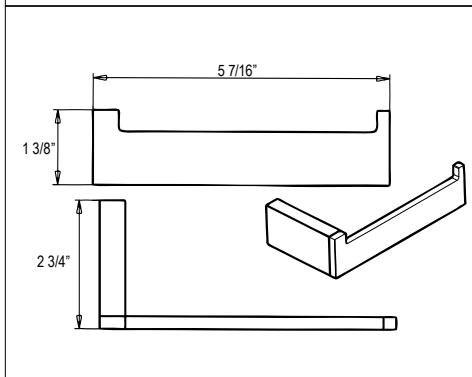
**QU103** Quartile™ 30" Towel Bar

**Suggested Retail Price**

	APC	STN
QU103- _ _	469	586



- Length cannot be cut down



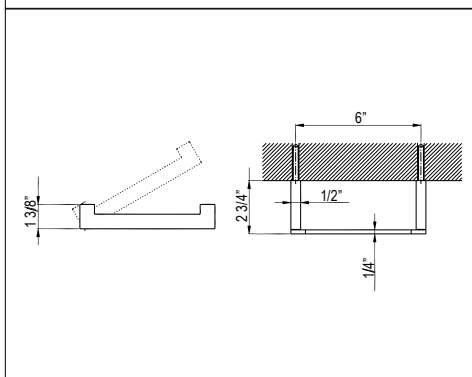
**QU400** Quartile™ Toilet Paper Holder

**Suggested Retail Price**

	APC	STN
QU400- _ _	160	200



- There's no need to compromise on design in this essential space
- Accommodates oversized toilet paper rolls



**QU420** Quartile™ Toilet Paper Holder With Lift Arm

**Suggested Retail Price**

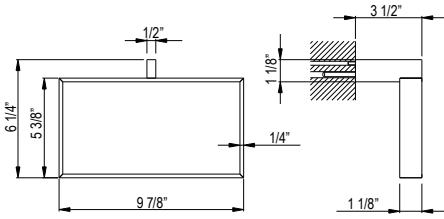
	APC	STN
QU420- _ _	297	371



- There's no need to compromise on design in this essential space
- Accommodates oversized toilet paper rolls



**QU220** Quartile™ Rectangular Towel Holder Ring

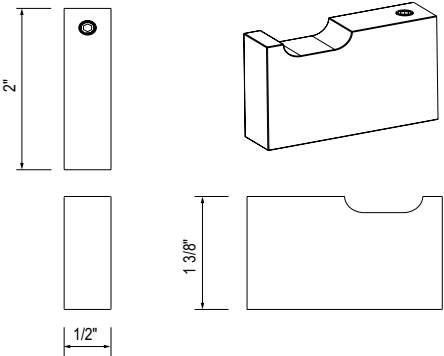


**Suggested Retail Price**

	APC	STN
QU220- _ _ _	644	904

- Optional 2" x 1 1/4" rectangular wall escutcheon or back plate QU220BP available for added wall support, contact ROHL Customer Care

**QU710** Quartile™ Robe/Towel Hook

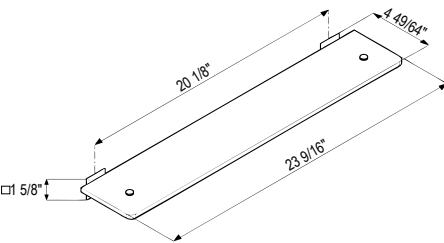


**Suggested Retail Price**

	APC	STN
QU710- _ _ _	87	109

- Holds one robe or towel close to your shower or bathing space

**VIN12** Vincent™ Wall Mount Glass Vanity Shelf

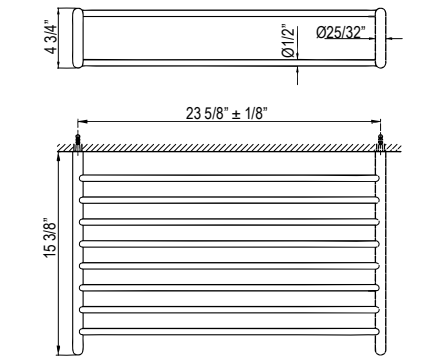


**Suggested Retail Price**

	APC	STN
VIN12 _ _ _	263	329

- Tempered glass

**SY300** Lombardia® 24" Wall Mount Towel Shelf



**Suggested Retail Price**

	APC	STN
SY300- _ _ _	1348	1878

- Ideal for storing and hanging towels in the bathroom
- Hotel style towel shelf and bar



**WAVE™ PRESSURE BALANCE SHOWER OPTION 1**

Model	Description	Suggested Retail Price
		Polished Chrome
WA111	Trim	449
B00188	Handshower	113
1650	Handshower Bar	341
1795	Outlet	233
16295	Hose	53
RCT-1	Rough	183
<b>Total Package List Price With Roughs</b>		<b>1,372</b>

**Note:** Sample configuration priced in Polished Chrome. Other configurations and finishes available. Complete your Shower experience by including one of our decorative drain options.



**WAVE™ PRESSURE BALANCE SHOWER OPTION 2**

Model	Description	Suggested Retail Price
		Polished Chrome
WA210	Trim	523
I00597	Showerhead	473
1120/12	Shower Arm	73
B00188	Handshower	113
1650	Handshower Bar	341
1795	Outlet	233
16295	Hose	53
RDD-2	Rough	294
<b>Total Package List Price With Roughs</b>		<b>2,103</b>

**Note:** Sample configuration priced in Polished Chrome. Other configurations and finishes available. Complete your Shower experience by including one of our decorative drain options.



**WAVE™ 1/2" THERMOSTATIC SHOWER OPTION 1**

Suggested Retail Price

Model	Description	Polished Chrome
WA390	Trim	765
I00598	Showerhead	677
1120/12	Shower Arm	73
B00188	Handshower	113
1650	Handshower Bar	341
1795	Outlet	233
16295	Hose	53
<b>Total Package List Price With Roughs</b>		<b>2,727</b>
R1052BD	Rough (No Share)	405
<b>Total Package List Price With Roughs</b>		<b>2,660</b>

**Note:** Sample configuration priced in Polished Chrome. Other configurations and finishes available. Complete your Shower experience by including one of our decorative drain options.

**WAVE™ 1/2" THERMOSTATIC SHOWER OPTION 2**

Suggested Retail Price

Model	Description	Polished Chrome
WA390	Trim	765
I00598	Showerhead	677
1120/12	Shower Arm	73
SLM06	Ceiling Showerhead	745
1505/3	Ceiling Shower Arm	111
B00188	Handshower	113
1630	Handshower Bracket	143
16295	Hose	53
<b>Total Package List Price With Roughs</b>		<b>3,152</b>
R1053BD	Rough (No Share)	472
<b>Total Package List Price With Roughs</b>		<b>3,152</b>

**Note:** Sample configuration priced in Polished Chrome. Other configurations and finishes available. Complete your Shower experience by including one of our decorative drain options.





**WAVE™ 1/2" THERMOSTATIC SHOWER OPTION 3**

		Suggested Retail Price
Model	Description	Polished Chrome
WA390	Trim	765
I00598	Showerhead	677
1120/12	Shower Arm	73
B00188	Handshower	113
1650	Handshower Bar	341
1795	Outlet	233
16295	Hose	53
WA24	Tub Spout	1,097
<b>Total Package List Price With Roughs</b>		<b>3,824</b>
R1055BD	Rough	472
<b>Total Package List Price With Roughs</b>		<b>3,824</b>
R1053BD	Rough (No Share)	472
<b>Total Package List Price With Roughs</b>		<b>3,824</b>

**Note:** Sample configuration priced in Polished Chrome. Other configurations and finishes available. Complete your Shower experience by including one of our decorative drain options.



**WAVE™ 3/4" THERMOSTATIC SHOWER OPTION 1**

		Suggested Retail Price
Model	Description	Polished Chrome
WA720	Trim	375
I00598	Showerhead	677
1120/12	Shower Arm	73
B00188	Handshower	113
1650	Handshower Bar	341
1795	Outlet	233
16295	Hose	53
WA31L (x3)	Volume Controls (x3)	1,152
24960 (x2)	Body Sprays (x2)	904
<b>Total Package List Price With Roughs</b>		<b>4,686</b>
1005N	Rough	333
R1040R (x3)	Volume Control Rough (x3)	432

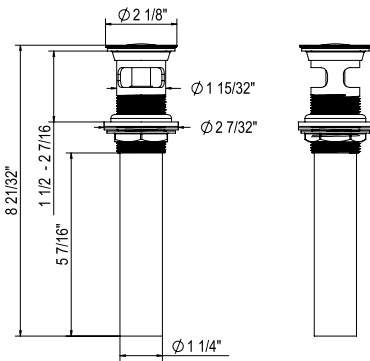
**Note:** Sample configuration priced in Polished Chrome. Other configurations and finishes available. Complete your Shower experience by including one of our decorative drain options.



# LAVATORY DRAINS

ROHL® lavatory sink drains come in many shapes and finishes. Select the one that meets both your technical and visual needs the best, depending on the type of sink configuration you have chosen.





**0127DOF Push Drain With Overflow**

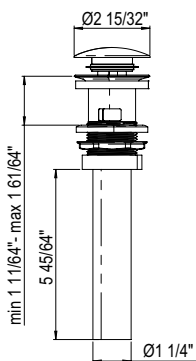


- 6" tail piece

NEW

**Suggested Retail Price**

	APC	PN	STN	MB	AG
0127DOF __	128	154	160	167	182



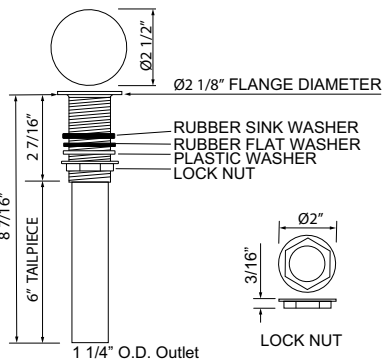
**CC2310FWO Universal Push Drain**



- For sinks with or without overflow hole
- 6" tail piece

**Suggested Retail Price**

	APC	STN	MB	SG
CC2310FWO __	132	165	172	188



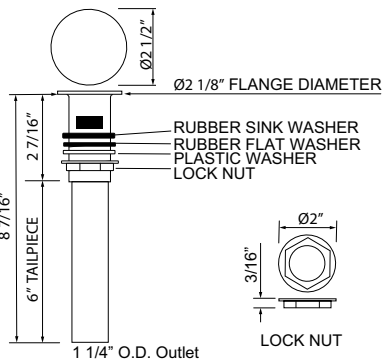
**5445 Push Drain Without Overflow**



- 6" tail piece

**Suggested Retail Price**

	APC	PN	STN	IB	TCB	ULB
5445 __	294	351	366	414	414	414



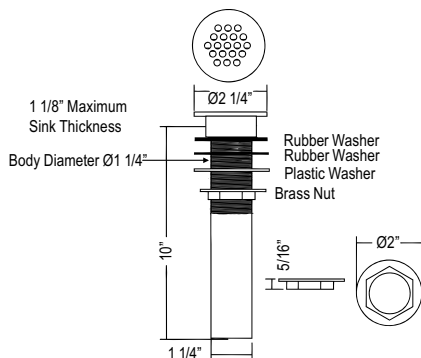
**5447 Push Drain With Overflow**



- 6" tail piece

**Suggested Retail Price**

	APC	PN	STN	MB	IB	TCB	ULB
5447 __	294	351	366	380	414	414	414



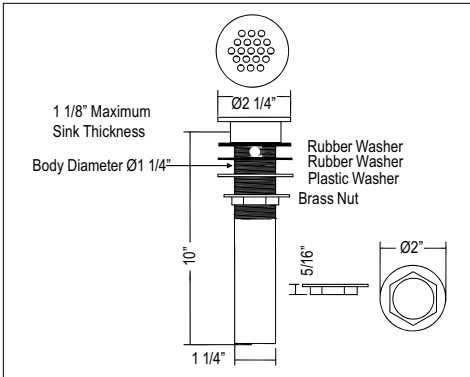
**6442 Grid Drain Without Overflow**



- 10" tail piece

**Suggested Retail Price**

	APC	PN	STN	FB	IB	TCB	ULB
6442 __	257	308	321	669	542	439	365



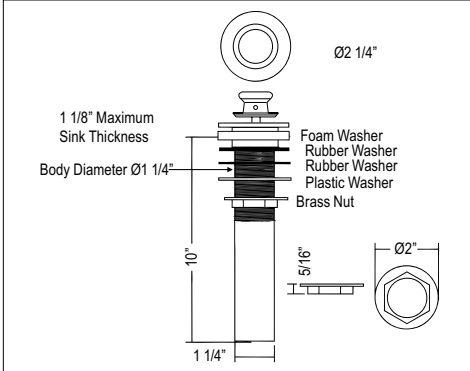
**7444 Grid Drain With Overflow**



- 10" tail piece

**Suggested Retail Price**

	APC	PN	STN	IB	TCB
7444	257	308	321	542	439



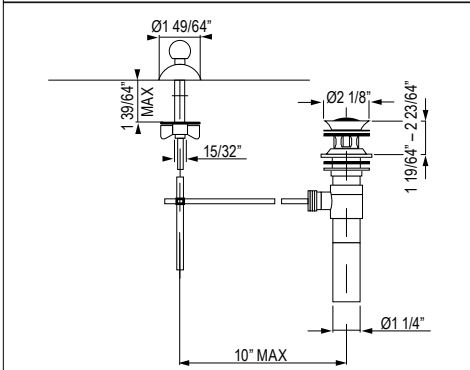
**8446 Lift And Turn Drain Without Overflow**



- 10" tail piece

**Suggested Retail Price**

	APC	PN	STN	TCB
8446	290	346	360	731



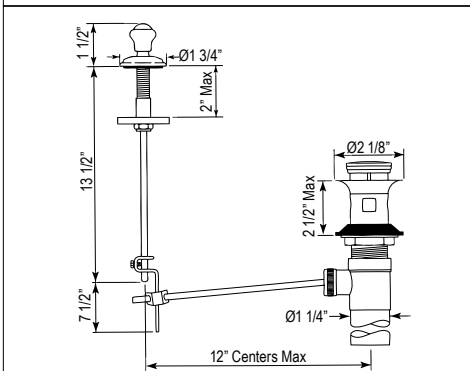
**CNZREMOTE Remote Pop-Up Set**



- Not for use with vessel bowls or bowls without overflow

**Suggested Retail Price**

	APC	PN	STN	IB	TCB
CNZREMOTE	204	245	320	320	320



**U.6702 Remote Pop-Up Set**



- For use with U.3790L and U.3791X wall mount lavatory faucets

**Suggested Retail Price**

	APC	PN	STN	ULB
U.6702	284	340	355	403



QUARTILE

SAN GIOVANNI

SORIANO

TENERIFE

VERONA

VIAGGIO

VINCENT

WAVE

LAVATORY  
DRAINS

EQUIGRID-IN  
VALVES

SHOWER

CARE &  
MAINTENANCE

TERMS



# ROUGH-IN VALVES

Shower design has evolved dramatically in the last 25 years. Originally created for purely functional reasons, modern showers have become much more than that. The rough-in valve is at the heart of any shower system to support the configuration that your customer desires.

Whether it be a basic shower, a simple spa or a dream spa package, ROHL has a valve to support it. Made with the best materials and supporting flow rates from 5 GPM to 20 GPM, these valves are offered with trims that match the faucet collection of your choice.

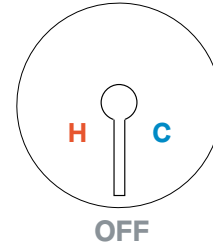
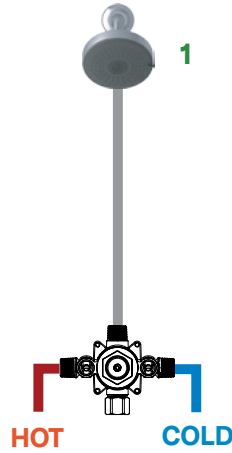


# SHOWER ROUGH-IN VALVE GUIDE

## 1/2" PRESSURE BALANCE - 1 FUNCTION

### RCT-1

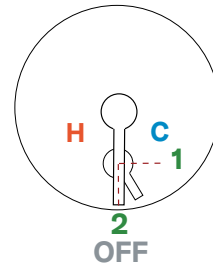
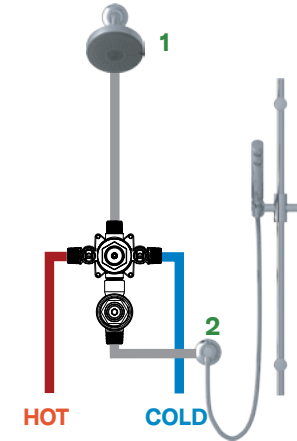
- 6 GPM
- Temperature control only
- Recommended inlet connection: 1/2" NPT
- Extension kit included with valve



## 1/2" PRESSURE BALANCE - 2 FUNCTIONS

### RDD-2

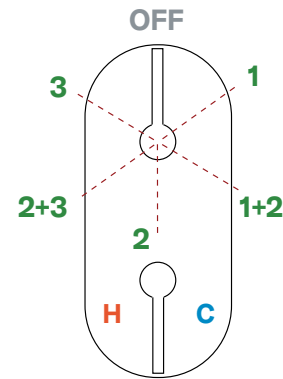
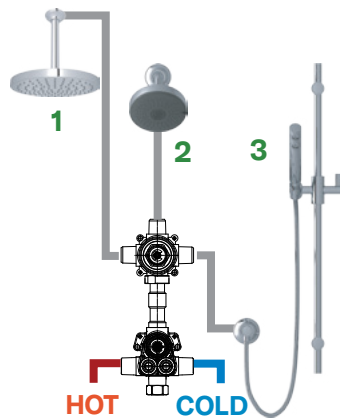
- 5.5 GPM
- Temperature control and diverter
- Recommended inlet connection: 1/2" NPT
- Extension kit included with valve



## 1/2" THERMOSTATIC ROUGH VALVE - 5 FUNCTIONS

### R1055BD

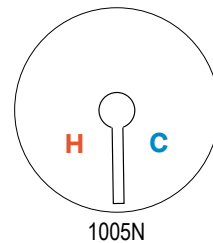
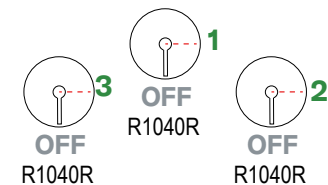
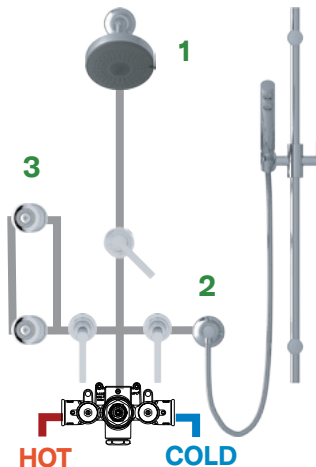
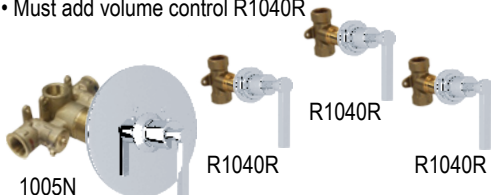
- 5 GPM
- Temperature control and diverter
- Recommended inlet connection: 1/2" NPT
- Extension kit included with valve



## 3/4" THERMOSTATIC ROUGH VALVE - MULTI FUNCTIONS

### 1005N

- 12 GPM
- Temperature control only
- Recommended inlet connection: 3/4" NPT
- Extension kit included with valve
- Must add volume control R1040R



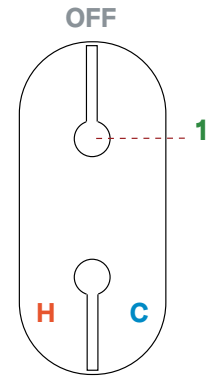
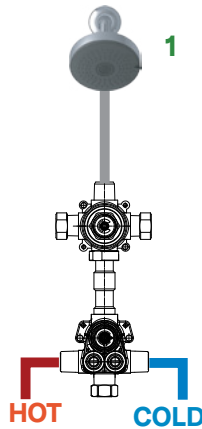


# SHOWER ROUGH-IN VALVE GUIDE

## 1/2" THERMOSTATIC ROUGH VALVE - 1 FUNCTION

### R1051BV CAL Green Compliant

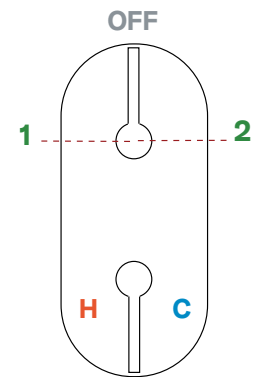
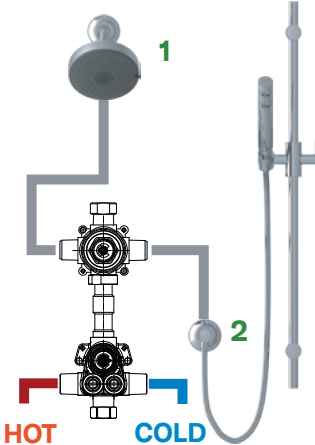
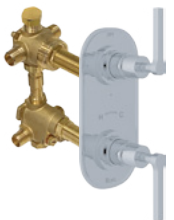
- 6.7 GPM
- Temperature and volume control
- Recommended inlet connection: 1/2" NPT
- Extension kit included with valve



## 1/2" THERMOSTATIC ROUGH VALVE - 2 FUNCTIONS

### R1052BD CAL Green Compliant

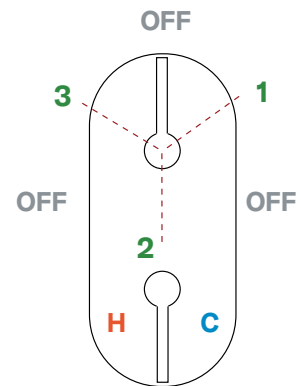
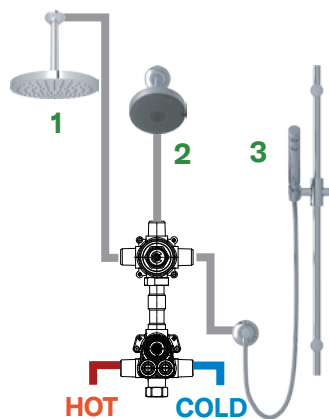
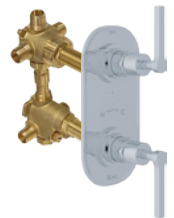
- 5.5 GPM
- Temperature control and diverter
- Recommended inlet connection: 1/2" NPT
- Extension kit included with valve



## 1/2" THERMOSTATIC ROUGH VALVE - 3 FUNCTIONS

### R1053BD CAL Green Compliant

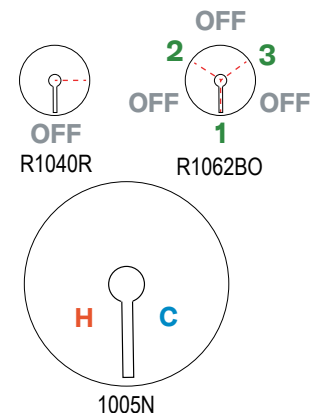
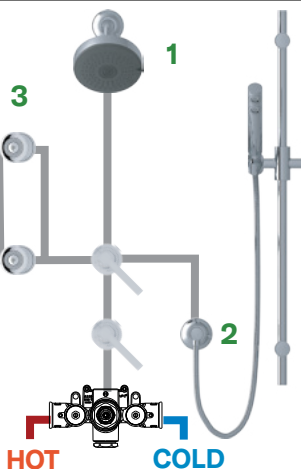
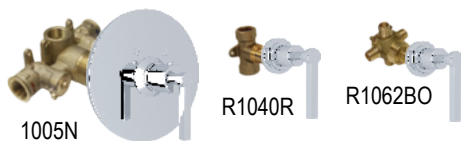
- 5 GPM
- Temperature control and diverter
- Recommended inlet connection: 1/2" NPT
- Extension kit included with valve



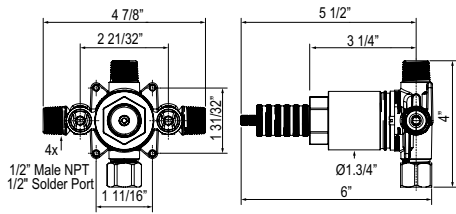
## 3/4" THERMOSTATIC ROUGH VALVE - 3 FUNCTIONS

### 1005N CAL Green Compliant

- 12 GPM
- Temperature control only
- Recommended inlet connection: 3/4" NPT
- Extension kit included with valve
- Must add volume control R1040R
- Must add diverter R1062BO



**RCT-1 1/2" Pressure Balance Rough-In Valve Without Diverter**

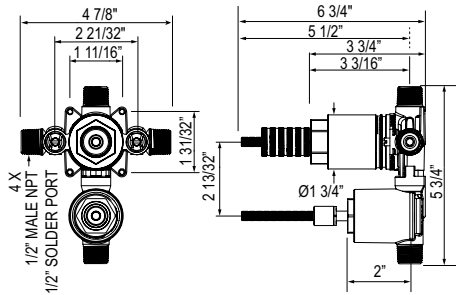


- Temperature control only
- 1 function
- 6 GPM at 60 PSI
- 1/2" male NPT inlet
- Must order trim to complete

**Suggested Retail Price**

	Rough
RCT-1	183

**RDD-2 1/2" Pressure Balance Rough-In Valve With Diverter**

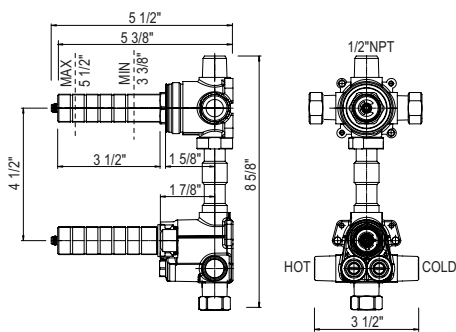


- Temperature control with diverter
- 2 functions
- 5 GPM at 60 PSI
- 1/2" male NPT inlet
- Must order trim to complete

**Suggested Retail Price**

	Rough
RDD-2	294

**R1051BV 1/2" Thermostatic Rough-In Valve With Integrated Volume Control**

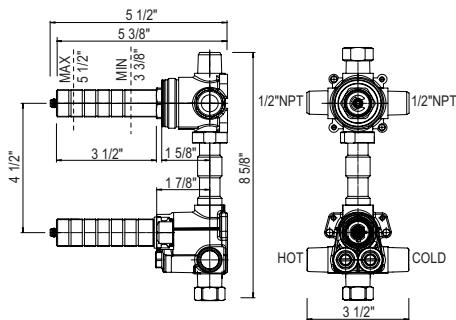


- Temperature and volume control
- 1 function
- 6 GPM at 60 PSI (CEC compliant)
- 1/2" male NPT inlet
- Must order trim to complete

**Suggested Retail Price**

	Rough
R1051BV	404

**R1052BD 1/2" Thermostatic Rough Valve-In With Integrated Two Outlet Dedicated Diverter**

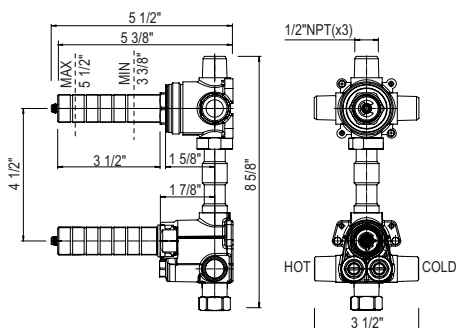


- Temperature control with diverter
- 2 functions
- 6 GPM at 60 PSI (CEC compliant)
- 1/2" male NPT inlet
- Must order trim to complete

**Suggested Retail Price**

	Rough
R1052BD	405

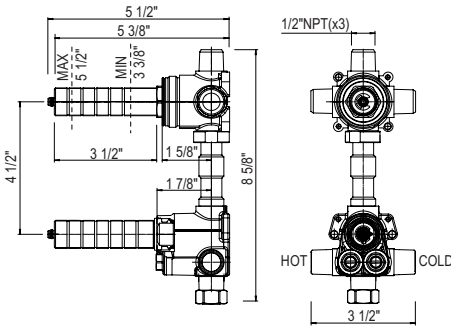
**R1053BD 1/2" Thermostatic Rough Valve-In With Integrated Three Outlet Dedicated Diverter**



- Temperature control with diverter
- 3 functions
- 6 GPM at 60 PSI (CEC compliant)
- 1/2" male NPT inlet
- Must order trim to complete

**Suggested Retail Price**

	Rough
R1053BD	472

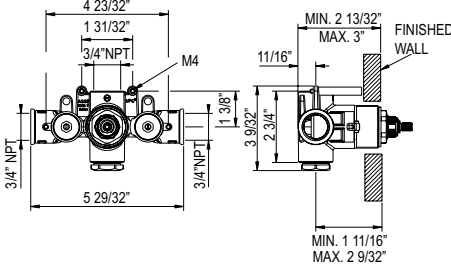


**R1055BD 1/2" Shared Three Outlet Thermostatic Shower Rough-In Valve With Diverter**



- Temperature control with diverter
- Up to 5 functions
- 5 GPM at 60 PSI
- 1/2" male NPT inlet
- Must order trim to complete

Suggested Retail Price	
	Rough
R1055BD	472

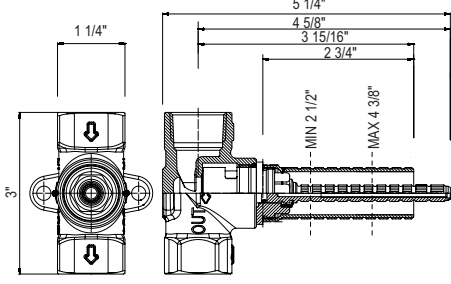


**1005N 3/4" Thermostatic Rough-In Valve**



- Temperature control only
- 12 GPM at 60 PSI
- 3/4" female NPT inlet
- Must order trim to complete

Suggested Retail Price	
	Rough
1005N	333

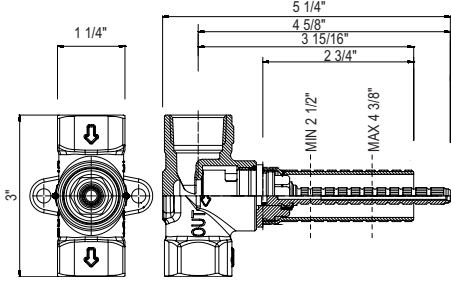


**R1040R 3/4" Counterclockwise Volume Control Rough-In Valve**



- 1 function
- 14 GPM at 60 PSI
- 3/4" female NPT inlet
- Must order trim to complete

Suggested Retail Price	
	Rough
R1040R	144

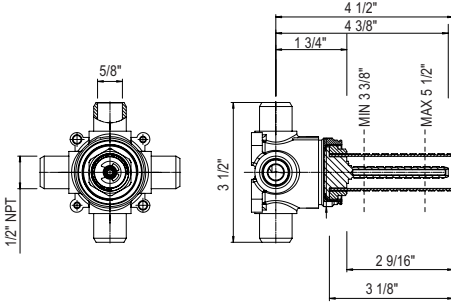


**R1041R 3/4" Clockwise Volume Control Rough-In Valve**



- 1 function
- 14 GPM at 60 PSI
- 3/4" female NPT inlet
- Must order trim to complete

Suggested Retail Price	
	Rough
R1041R	144

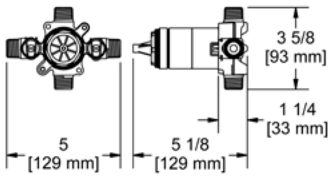


**R1062BO 4-Port, 3-Way Dedicated Diverter Rough-In Valve**



- Diverter only
- 3 functions
- 5 GPM at 60 PSI (CEC Compliant)
- 1/2" male NPT inlet
- Must order trim to complete
- Shared function diverter cartridge available, order 11417

Suggested Retail Price	
	Rough
R1062BO	329



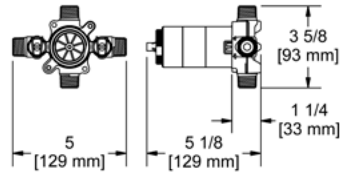
### R51 1/2" Pressure Balance Rough-in Valve with 1 Function



- Temperature and volume control
- 1 function
- 5 GPM at 60 PSI
- Available inlet connections: 1/2" NPT, PEX (SPEX), Expansion Pex (EX)
- Must order TXX51 trim

**Suggested Retail Price**

Connection	\$
R51	142
R51-EX	142
R51-SPEX	142



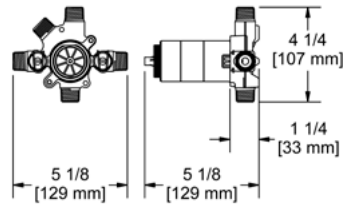
### R23 1/2" Therm & Pressure Balance Rough-in Valve with up to 3 Functions



- Patented valve technology with both thermostatic and pressure balance functionality
- Temperature and volume control with diverter
- Up to 3 functions
- 6 GPM at 60 PSI
- Must order TXX23 (shared) or TXX44 (no share) trim

**Suggested Retail Price**

Connection	\$
R23	176
R23-EX	176
R23-SPEX	176



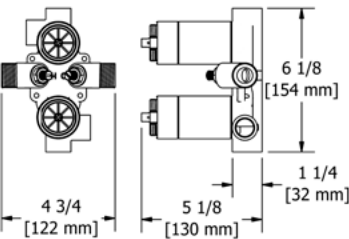
### R45 1/2" Therm & Pressure Balance Rough-in Valve with up to 5 Functions



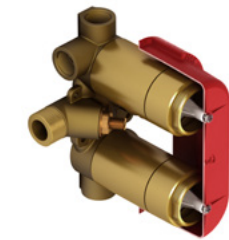
- Patented valve technology with both thermostatic and pressure balance functionality
- Temperature and volume control with diverter
- Up to 5 functions
- 6 GPM at 60 PSI
- Must order TXX45 (shared) or TXX47 (no share) trim

**Suggested Retail Price**

Connection	\$
R45	245
R45-EX	245
R45-SPEX	245



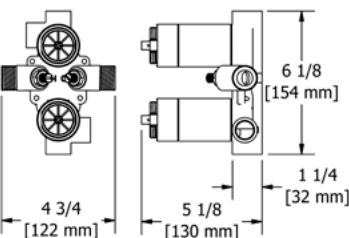
### R46 3/4" Therm & Pressure Balance Rough-in Valve Multi-Function System



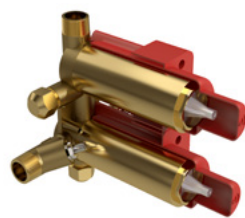
- Patented valve technology with both thermostatic and pressure balance functionality
- 2 temperature and volume controls with diverters
- Up to 6 functions
- 10 GPM at 60 PSI
- Available inlet connections for max GPM flow rate: 1/2" or 3/4" NPT, 3/4" PEX (SPEX), 3/4" Expansion Pex (EX)
- Must order TXX46 (shared) trim

**Suggested Retail Price**

Connection	\$
R46	373



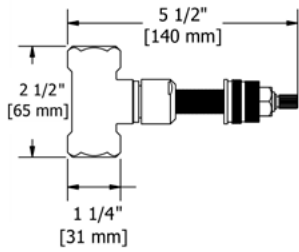
### R83 3/4" Therm & Pressure Balance Multi-Function System



- R83 rough-in valve is always included with trim
- 2 temperature and 2 volume controls; also supports 2 optional volume controls
- Up to 6 functions with optional volume controls
- For 6 functions, 2 additional volume controls required
- 20 GPM at 60 PSI

**Not Sold Separately**

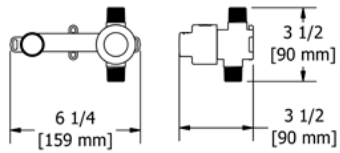
### R20 Volume Control Rough-in Valve

**Suggested Retail Price**

\$

R20 112

### RH360 Wall Mount Widespread Rough-in Valve

**Suggested Retail Price**

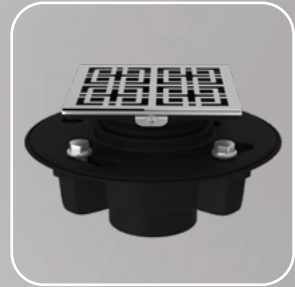
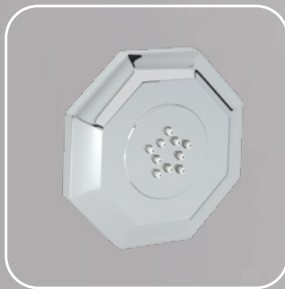
\$

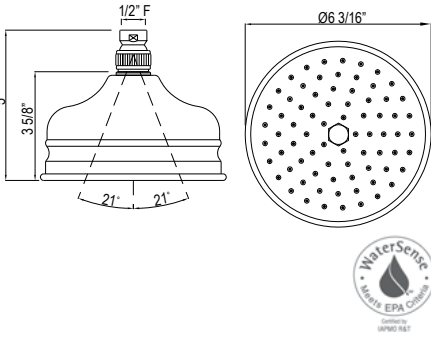
RH360 106



# SHOWER

The House of Rohl® brands bring the spa experience home with an exclusive and complete shower offering. Showerheads that deliver a decadent deluge. Handshowers and body sprays immerse the body in soothing rejuvenation. We offer a variety of grab bars for the bathroom and shower which meet all ADA standards for accessible design. Customers can select designs to achieve the aesthetics and performance they desire — from ornate English character to sleek modern lines, and everything in between. Shower selections with style and quality that define authentic luxury and accessories that add a finishing touch to any décor.



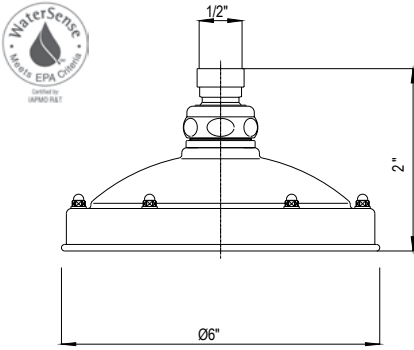


**1027/8 6" Rain Showerhead**



- 1 function
- 1.8 GPM at 60 PSI (CEC compliant)

Suggested Retail Price						
	APC	PN	STN	IB	TCB	ULB
1027/8 __	414	496	517	587	587	587

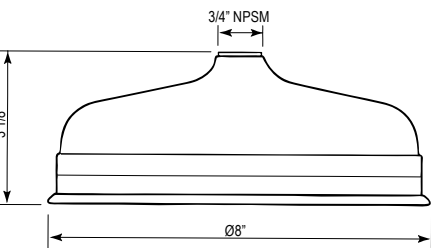


**BI00701 6" Rain Showerhead**



- 1 function
- 1.8 GPM at 60 PSI (CEC compliant)

Suggested Retail Price							
	APC	PN	STN	MB	SG	TCB	ULB
BI00701 __	506	741	916	925	973	973	992

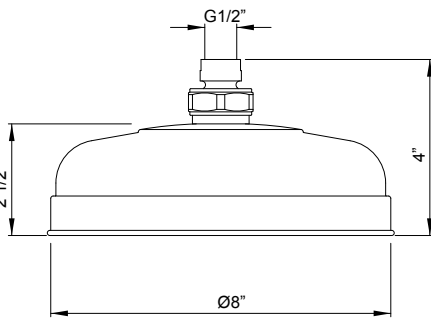


**U.5205 8" Rain Showerhead**



- 1 function
- 1.8 GPM at 60 PSI (CEC compliant)
- 3/4" NPSM connection
- To install on 1/2" outlet shower arms, use adaptor U.5379

Suggested Retail Price				
	APC	PN	STN	ULB
U.5205 __	544	653	680	773

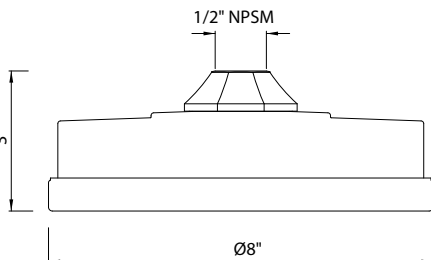


**U.5260 8" Rain Showerhead**



- 1 function
- 1.8 GPM at 60 PSI (CEC compliant)

Suggested Retail Price			
	APC	PN	STN
U.5260 __	713	856	891



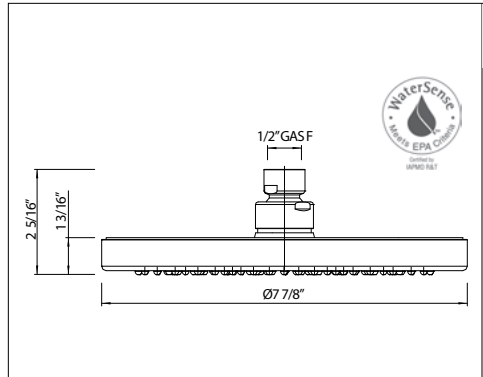
**U.5135 8" Rain Showerhead**



- Complements Deco™ collection and other transitional designs
- 1 function
- 1.8 GPM at 60 PSI (CEC compliant)

Suggested Retail Price				
	APC	PN	STN	ULB
U.5135 __	661	793	826	938





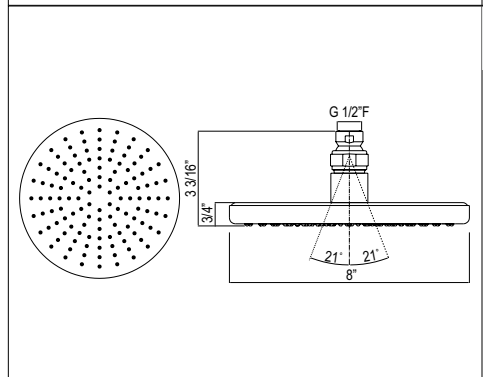
**WI0196 8" Rain Showerhead**

**Suggested Retail Price**

	APC	PN	STN	MB	TCB
WI0196	243	324	339	360	432



- 1 function
- 1.8 GPM at 60 PSI (CEC compliant)



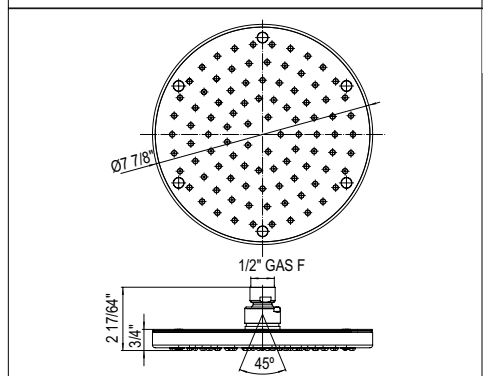
**1075/8 8" Rain Showerhead**

**Suggested Retail Price**

	APC	PN	STN	MB	FB	GM	IB	SG	SUB	TCB	ULB
1075/8	572	686	745	775	813	813	812	813	812	812	812



- 1 function
- 1.8 GPM at 60 PSI (CEC compliant)



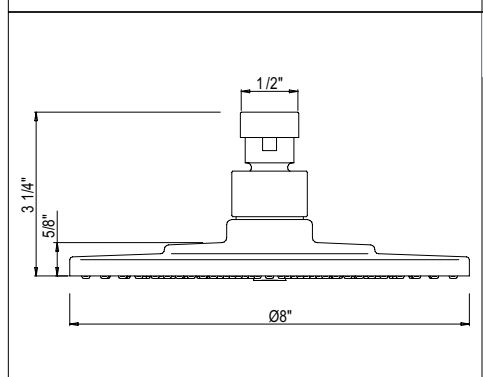
**I00405 8" Rain Showerhead**

**Suggested Retail Price**

	APC	PN	STN	MB	IB	SG	TCB
I00405	432	525	551	581	1083	679	679



- 1 function
- 1.8 GPM at 60 PSI (CEC compliant)



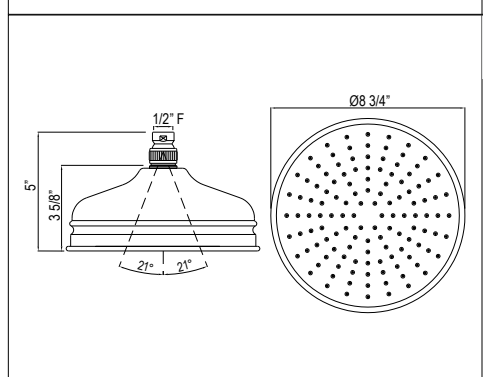
**U.5235 8" Rain Showerhead**

**Suggested Retail Price**

	APC	PN	STN	ULB
U.5235	469	562	586	665



- Available: Spring 2021
- 1 function
- 1.8 GPM at 60 PSI (CEC compliant)



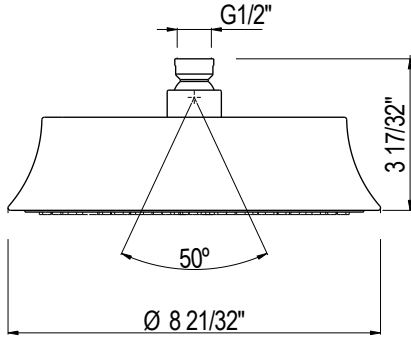
**1037/8 9" Rain Showerhead**

**Suggested Retail Price**

	APC	PN	STN	MB	IB	SUB	TCB	ULB
1037/8	517	620	646	671	733	733	733	733



- 1 function
- 1.8 GPM at 60 PSI (CEC compliant)

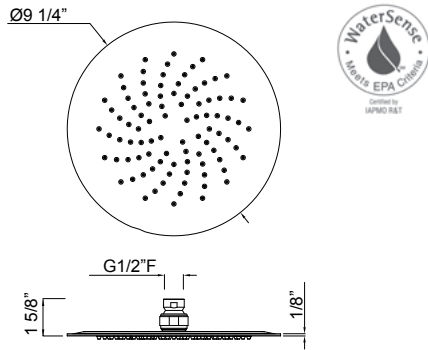


**DSA16200 9" Rain Showerhead**



- Complements Bellia™ collection and other transitional designs
- 1 function
- 1.8 GPM at 60 PSI (CEC compliant)

Suggested Retail Price				
	APC	PN	STN	RG
DSA16200-__	569	683	728	882

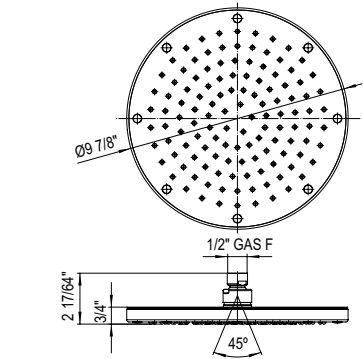


**SLM02 9" Rain Showerhead**



- 1 function
- 1.8 GPM at 60 PSI (CEC compliant)
- Optional false ceiling installation kit available, order KIT00006NPT: \$178

Suggested Retail Price				
	APC	PN	STN	MB
SLM02-__	641	1028	801	943

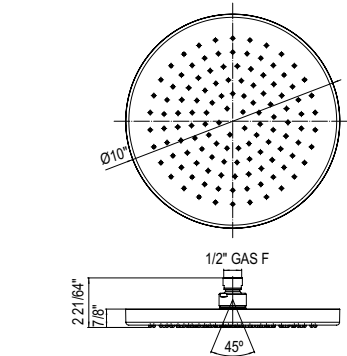


**I00410 10" Rain Showerhead**



- 1 function
- 1.8 GPM at 60 PSI (CEC compliant)

Suggested Retail Price							
	APC	PN	STN	MB	IB	SG	TCB
I00410-__	576	691	818	749	1362	890	890

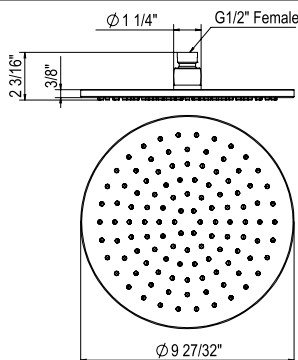


**I00412 10" Rain Showerhead**



- 1 function
- 1.8 GPM at 60 PSI (CEC compliant)

Suggested Retail Price					
	APC	PN	STN	MB	TCB
I00412-__	287	344	381	396	478



**100126RS1 10" Rain Showerhead**

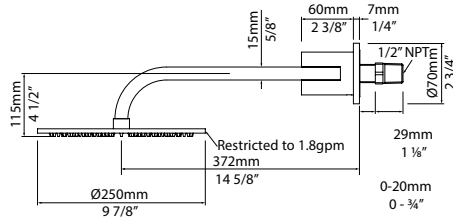


- 1 function
- 1.8 GPM at 60 PSI (CEC compliant)

Suggested Retail Price					
	APC	PN	STN	MB	AG
100126RS1-__	338	406	423	440	480



### SOR-41 10" Rain Showerhead With Arm



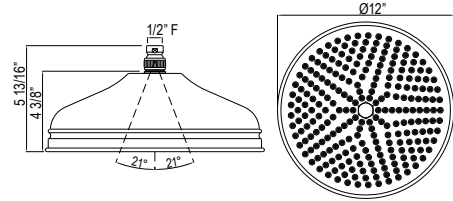
**Suggested Retail Price**

	SB
SOR-41-__	1266



- Stainless Steel construction
- Complements Soriano™ collection and other transitional designs
- 1 function
- 1.8 GPM at 60 PSI (CEC compliant)

### 1047/8 12" Rain Showerhead



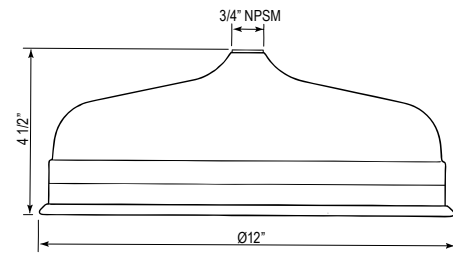
**Suggested Retail Price**

	APC	PN	STN	IB	SUB	TCB	ULB
1047/8 __	1198	1438	1498	1702	1702	1702	1702



- 1 function
- 1.8 GPM at 60 PSI (CEC compliant)

### U.5204 12" Rain Showerhead



**Suggested Retail Price**

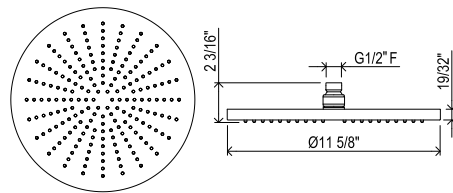
	APC	PN	STN	ULB
U.5204 __	1041	1249	1301	1479



- 1 function
- 1.8 GPM at 60 PSI (CEC compliant)
- 3/4" NPSM connection
- To install on 1/2" outlet shower arms, use adaptor U.5379



### 1079/8 12" Rain Showerhead



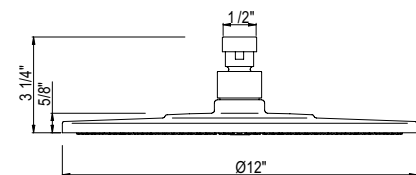
**Suggested Retail Price**

	APC	PN	STN	MB	IB	TCB	ULB
1079/8 __	1135	1361	1722	1804	1804	1722	1722



- 1 function
- 1.8 GPM at 60 PSI (CEC compliant)

### U.5237 12" Rain Showerhead



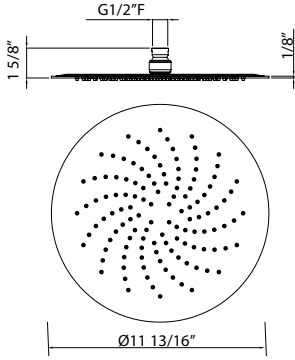
**Suggested Retail Price**

	APC	PN	STN	ULB
U.5237 __	828	994	1035	1176



- Available: Spring 2021
- 1 function
- 1.8 GPM at 60 PSI (CEC compliant)





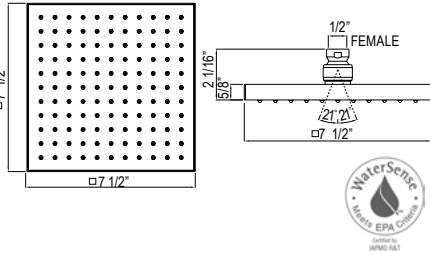
**SLM03 12" Rain Showerhead**

**Suggested Retail Price**

	APC	PN	STN	MB
SLM03	726	953	907	1175



- 1 function
- 1.8 GPM at 60 PSI (CEC compliant)
- Optional false ceiling installation kit available, order KIT00006NPT: \$178



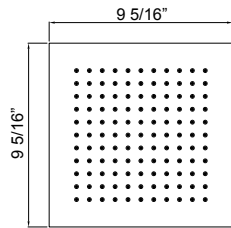
**1070/8 8" Rain Showerhead**

**Suggested Retail Price**

	APC	PN	STN
1070/8	856	1028	1109



- 1 function
- 1.8 GPM at 60 PSI (CEC compliant)



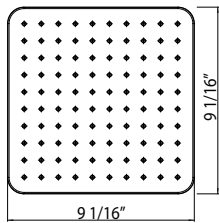
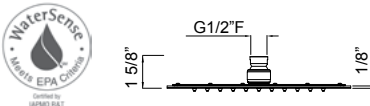
**SLM05 9" Rain Showerhead**

**Suggested Retail Price**

	APC	PN	STN	MB	IB
SLM05	678	1020	883	978	1390



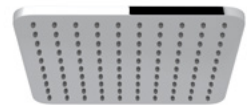
- 1 function
- 1.8 GPM at 60 PSI (CEC compliant)
- Optional false ceiling installation kit available, order KIT00006NPT: \$178



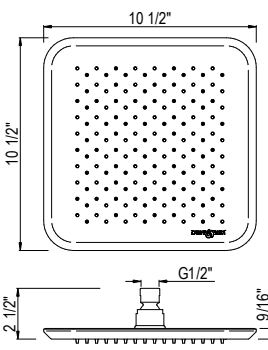
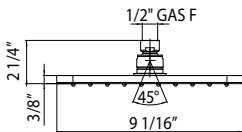
**I00597 10" Rain Showerhead**

**Suggested Retail Price**

	APC	PN	STN
I00597	473	576	732



- Complements Meda™ collection and other modern designs
- 1 function
- 1.8 GPM at 60 PSI (CEC compliant)



**U.5408 11" Square Rain Showerhead**

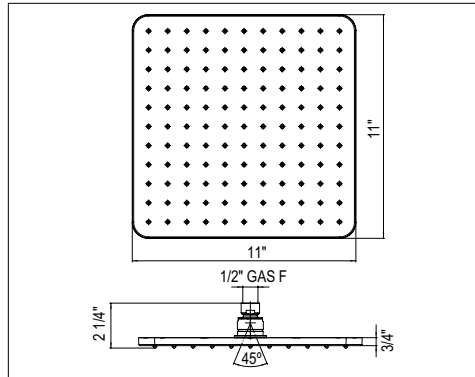
**Suggested Retail Price**

	APC	PN	STN
U.5408	671	805	838



- Complements Hoxton™ collection and other transitional designs
- 1 function
- 1.8 GPM at 60 PSI (CEC compliant)



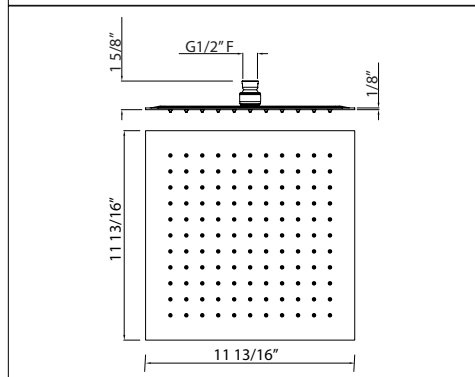


### I00598 11" Rain Showerhead

**Suggested Retail Price**

	APC	PN	STN	SG
I00598	677	813	1050	1050

- Complements Meda™ collection and other modern designs
- 1 function
- 1.8 GPM at 60 PSI (CEC compliant)
- For installation on ceiling or on exposed shower arm

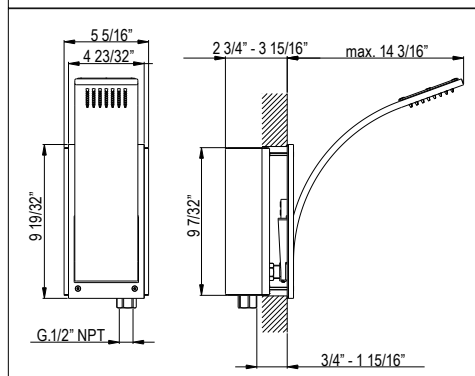


### SLM06 12" Rain Showerhead

**Suggested Retail Price**

	APC	PN	STN	MB
SLM06	745	1093	931	1289

- 1 function
- 1.8 GPM at 60 PSI (CEC compliant)
- Optional false ceiling installation kit available, order KIT00006NPT: \$178

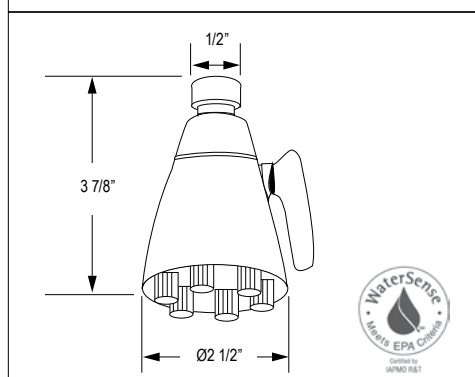


### WA1319 15" x 6" Rain Showerhead With Arm

**Suggested Retail Price**

	APC	STN
WA1319-	3858	4822

- Must be installed at framing stage
- Complements Wave™ collection and other transitional designs
- 1 function
- 1.8 GPM at 60 PSI (CEC compliant)

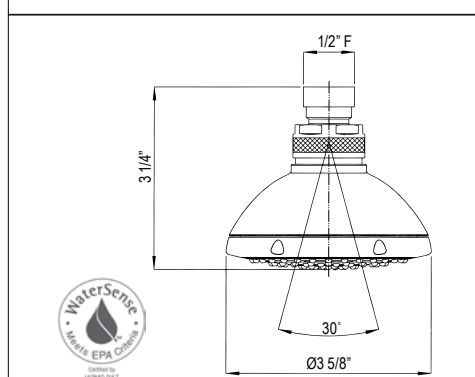


### BI00042 3" Multi-Function Showerhead

**Suggested Retail Price**

	APC	PN	STN	MB	TCB	ULB
BI00042	186	245	341	341	341	341

- Adjustable dial allows for infinite number of spray settings
- 1.8 GPM at 60 PSI (CEC compliant)

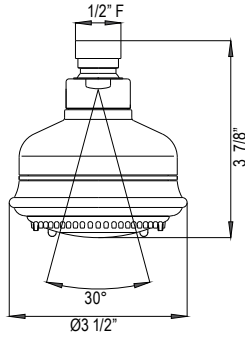


### I00131 4" 2-Function Showerhead

**Suggested Retail Price**

	APC	PN	STN	MB	TCB
I00131	187	257	360	360	360

- 2 functions
- 1.8 GPM at 60 PSI (CEC compliant)



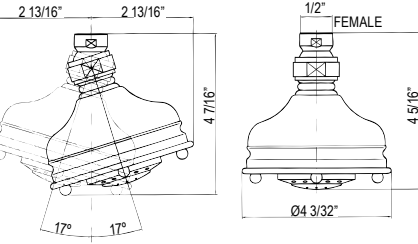
**B240NSH 4" 3-Function Showerhead**



- 3 functions
- 1.8 GPM at 60 PSI (CEC compliant)

**Suggested Retail Price**

	APC	PN	STN	TCB
B240NSH __	195	245	272	277



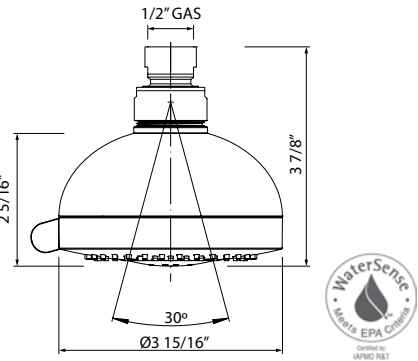
**1085/8 4" 3-Function Showerhead**



- 3 functions
- 1.8 GPM at 60 PSI (CEC compliant)

**Suggested Retail Price**

	APC	PN	STN	IB	SUB	TCB	ULB
1085/8 __	401	481	517	569	569	569	569



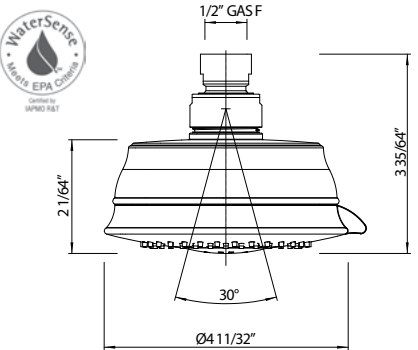
**I00218 4" 3-Function Showerhead**



- 3 functions
- 1.8 GPM at 60 PSI (CEC compliant)

**Suggested Retail Price**

	APC	PN	STN
I00218 __	170	220	296



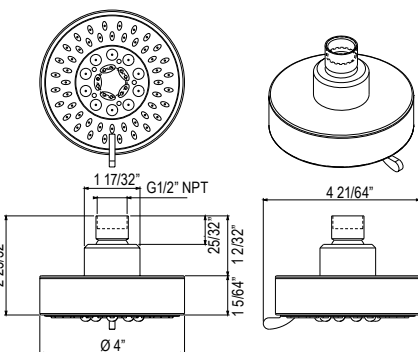
**W10197 4" 3-Function Showerhead**



- 3 functions
- 1.8 GPM at 60 PSI (CEC compliant)

**Suggested Retail Price**

	APC	PN	STN	MB	TCB
W10197 __	178	231	307	307	354



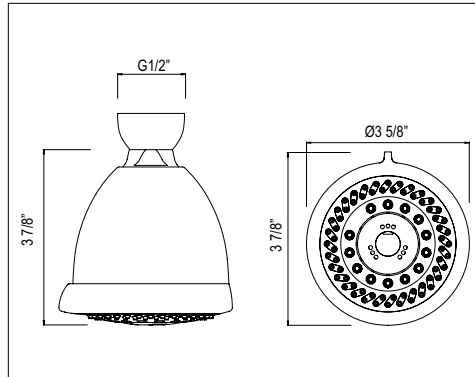
**SOF134 4" 5-Function Showerhead**



- 5 functions
- 1.75 GPM at 60 PSI (CEC compliant)

**Suggested Retail Price**

	APC	PN	STN
SOF134 __	101	129	129

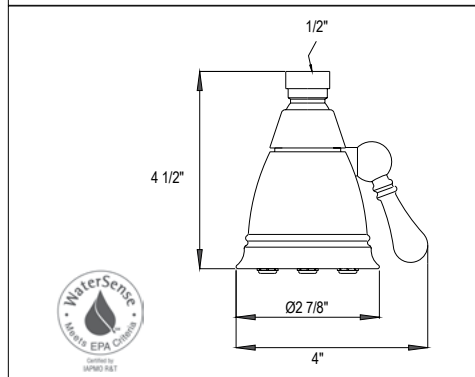


**U.5800 4" 6-Function Showerhead**



- 6 functions
- 1.75 GPM at 60 PSI (CEC compliant)

Suggested Retail Price			
	APC	PN	STN
U.5800	475	570	594

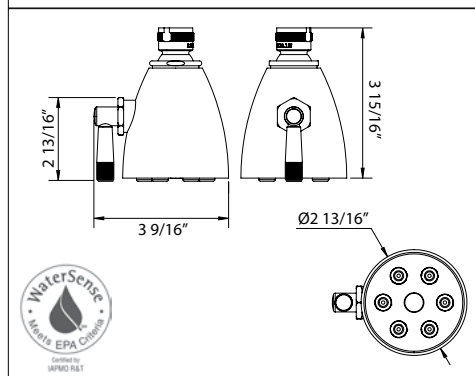


**WI0122 3" Multi-Function Showerhead**



- Adjustable dial allows for infinite number of spray settings
- 1.8 GPM at 60 PSI (CEC compliant)

Suggested Retail Price					
	APC	PN	STN	TCB	ULB
WI0122	247	334	452	452	452

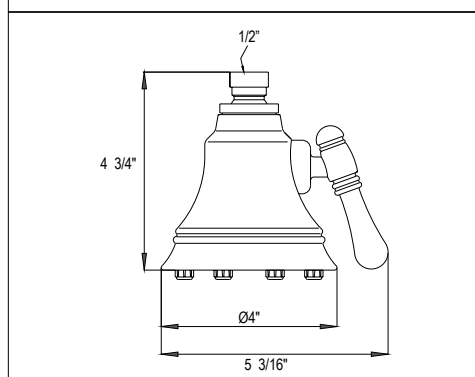


**MB0190 3" Multi-Function Showerhead**



- Complements Graceline® collection and other transitional designs
- Adjustable dial allows for infinite number of spray settings
- 1.8 GPM at 60 PSI (CEC compliant)

Suggested Retail Price							
	APC	PN	STN	MB	FB	GM	SG
MB0190	329	395	411	428	467	467	864

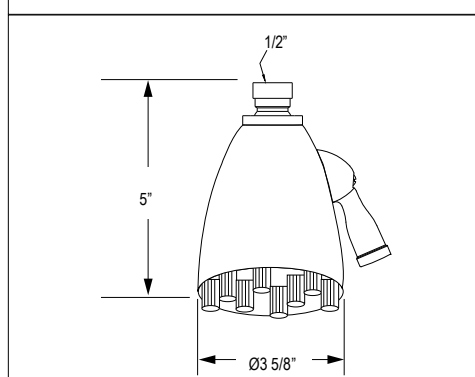


**WI0123 4" Multi-Function Showerhead**



- Adjustable dial allows for infinite number of spray settings
- 1.8 GPM at 60 PSI (CEC compliant)
- 3/4" F to 1/2" M adaptor available see part # U.5399

Suggested Retail Price					
	APC	PN	STN	SG	TCB
WI0123	388	517	711	711	711

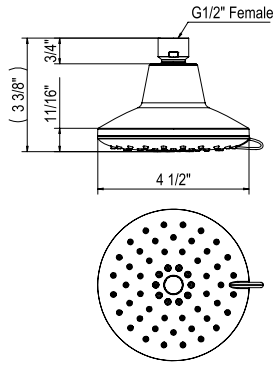


**BI00059 4" Multi-Function Showerhead**



- Adjustable dial allows for infinite number of spray settings
- 1.8 GPM at 60 PSI (CEC compliant)

Suggested Retail Price						
	APC	PN	STN	MB	TCB	ULB
BI00059	315	426	536	536	536	536



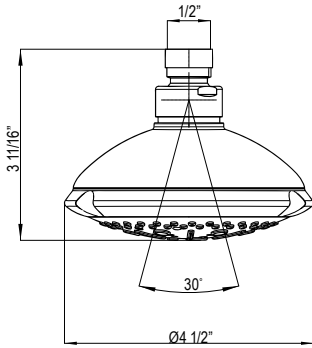
**50126MF3 5" 3-Function Showerhead**



NEW

- 3 functions
- 1.8 GPM at 60 PSI (CEC compliant)

Suggested Retail Price					
	APC	PN	STN	MB	AG
50126MF3 __	168	202	210	219	239

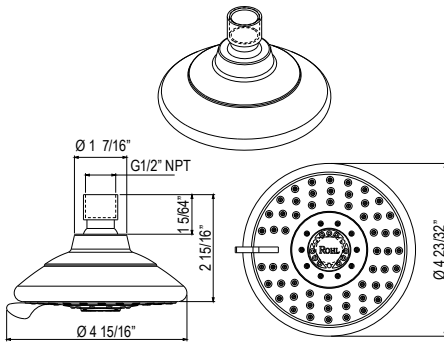


**100180 5" 4-Function Showerhead**



- 4 functions
- 1.8 GPM at 60 PSI (CEC compliant)

Suggested Retail Price					
	APC	PN	STN	MB	TCB
100180 __	297	431	514	514	514

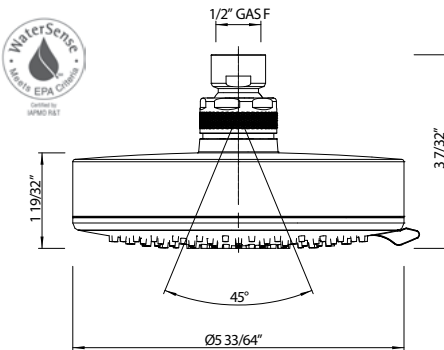


**SOF135 5" 5-Function Showerhead**



- 5 functions
- 1.75 GPM at 60 PSI (CEC compliant)

Suggested Retail Price			
	APC	PN	STN
SOF135 __	101	129	129

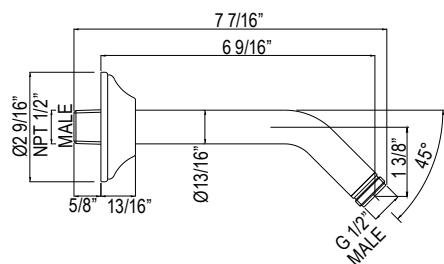


**WI0195 6" 3-Function Showerhead**



- 3 functions
- 1.8 GPM at 60 PSI (CEC compliant)

Suggested Retail Price				
	APC	PN	STN	MB
WI0195 __	157	203	265	265



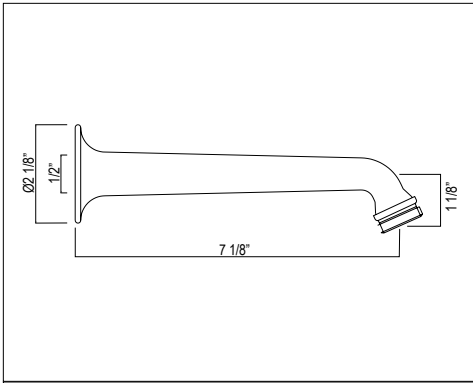
**1440/6 7" Reach Wall Mount Shower Arm**



- Escutcheon included
- Modern style round escutcheon available, order ROS0006

Suggested Retail Price								
	APC	PN	STN	MB	IB	SUB	TCB	ULB
1440/6 __	80	96	154	165	165	154	154	154





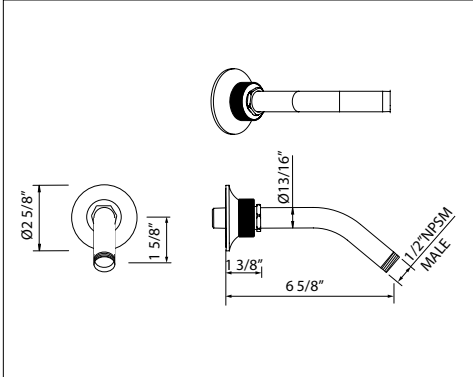
**C5056.2 7" Reach Wall Mount Shower Arm**

**Suggested Retail Price**

	APC	PN	STN	MB	IB	TCB
C5056.2	71	85	89	92	100	100



- Escutcheon included



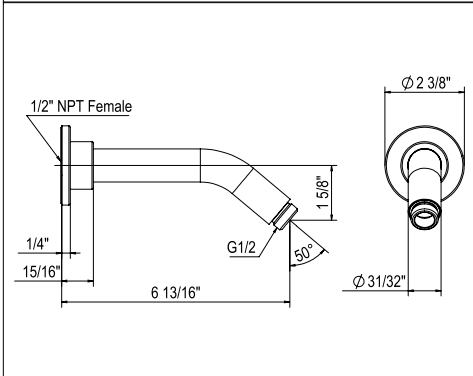
**MB2010 7" Reach Wall Mount Shower Arm**

**Suggested Retail Price**

	APC	PN	STN	GM
MB2010	144	172	180	204



- Complements Graceline® collection and other transitional designs



**70127SA 7" Reach Wall Mount Shower Arm**

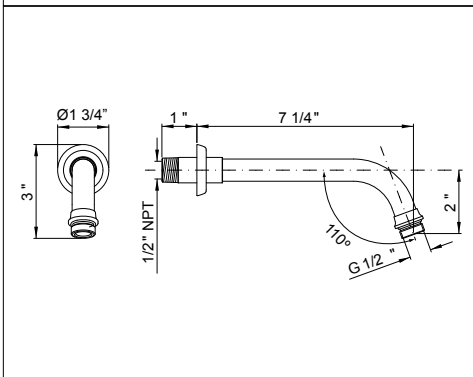
**Suggested Retail Price**

	APC	PN	STN	MB	AG
70127SA	138	166	173	180	196



- Complements Tenerife™ collection and other transitional designs

NEW



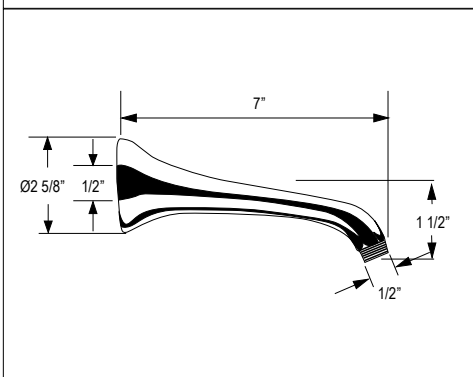
**U.5882 7" Reach Wall Mount Shower Arm**

**Suggested Retail Price**

	APC	PN	STN	ULB
U.5882	365	438	457	519



- Complements Holborn™ collection and other transitional designs



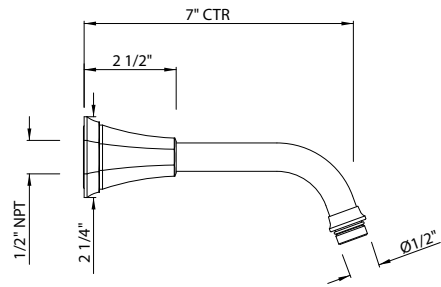
**H08000 7" Reach Wall Mount Shower Arm**

**Suggested Retail Price**

	APC	PN	STN	SG	TCB
H08000	129	169	205	205	205



- One-piece construction



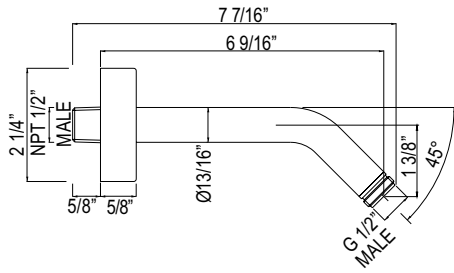
**U.5182 7" Reach Wall Mount Shower Arm**

**Suggested Retail Price**

	APC	PN	STN
U.5182 __	349	418	436



- Complements Deco™ collection and other transitional designs



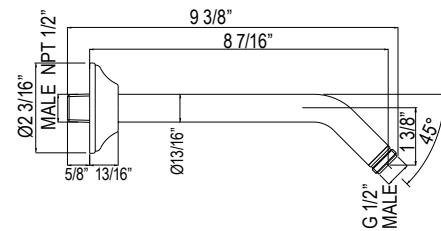
**1442/6 7" Reach Wall Mount Shower Arm**

**Suggested Retail Price**

	APC	PN	STN	TCB
1442/6 __	80	96	154	154



- Escutcheon included



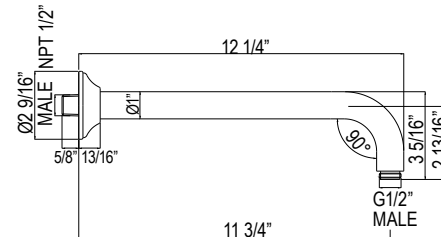
**1440/8 9" Reach Wall Mount Shower Arm**

**Suggested Retail Price**

	APC	PN	STN	MB	IB	TCB	ULB
1440/8 __	88	106	165	174	174	165	165



- Escutcheon included
- Modern style round escutcheon available, order ROS0006



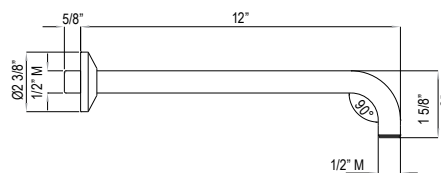
**1455/12 12" Reach Wall Mount Shower Arm**

**Suggested Retail Price**

	APC	PN	STN	IB	TCB	ULB
1455/12 __	165	198	220	257	235	235



- Escutcheon included
- Modern style round escutcheon available, order ROGSCO14



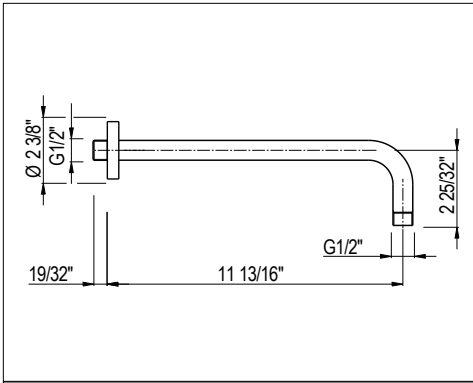
**1120/12 12" Reach Wall Mount Shower Arm**

**Suggested Retail Price**

	APC	PN	STN	MB	SG	TCB	ULB
1120/12 __	73	199	245	245	245	245	245



- Escutcheon replacement part #: 1120E



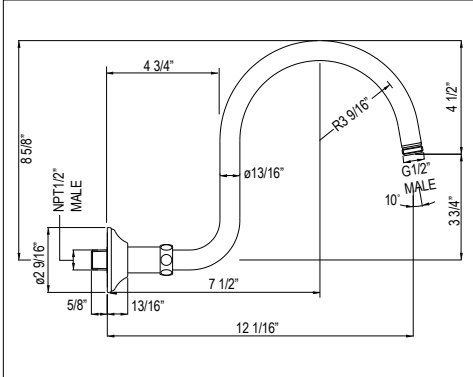
**DSA13750 12" Reach Wall Mount Shower Arm**

**Suggested Retail Price**

	APC	PN	STN	RG
DSA13750- _ _	115	139	159	230



- Complements Bellia™ collection and other transitional designs



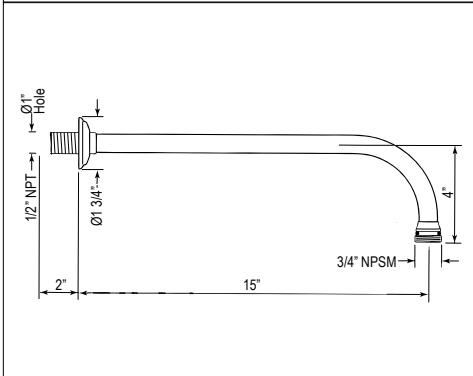
**1475/12 12" Reach Wall Mount Shower Arm**

**Suggested Retail Price**

	APC	PN	STN	IB	TCB	ULB
1475/12 _ _	272	327	385	451	387	387



- Escutcheon included
- Modern style round escutcheon available, order ROGSCO14



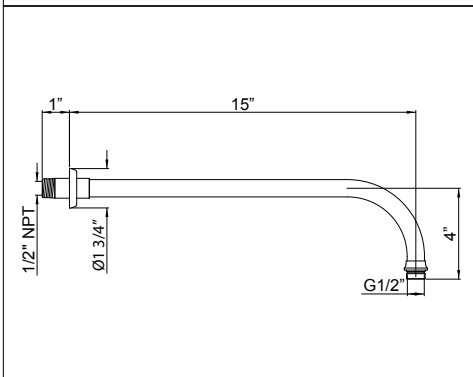
**U.5384 15" Reach Wall Mount Shower Arm**

**Suggested Retail Price**

	APC	PN	STN	ULB
U.5384 _ _	372	447	465	529



- To install 1/2" inlet showerheads, use adaptor U.5399



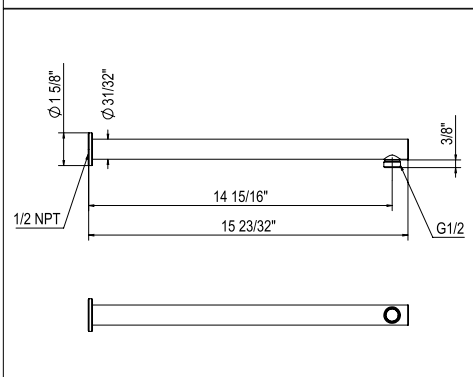
**U.5884 15" Reach Wall Mount Shower Arm**

**Suggested Retail Price**

	APC	PN	STN
U.5884 _ _	365	438	457



- Complements Holborn™ collection and other transitional designs



**150127SA 15" Reach Wall Mount Shower Arm**

**Suggested Retail Price**

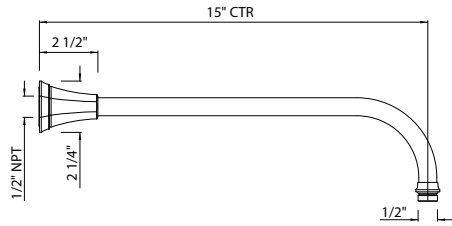
	APC	PN	STN	MB	AG
150127SA _ _	248	298	310	323	353



- Escutcheon included
- Complements Tenerife™ collection and other transitional designs

**NEW**

**U.5184 15" Reach Wall Mount Shower Arm**



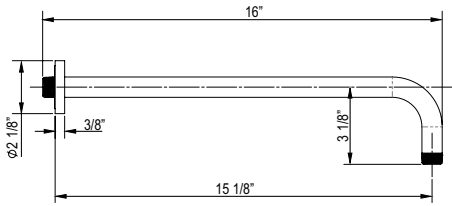
**Suggested Retail Price**

	APC	PN	STN	ULB
U.5184 __	402	483	503	571



- Complements Deco™ collection and other transitional designs

**MB3549 16" Reach Wall Mount Shower Arm**



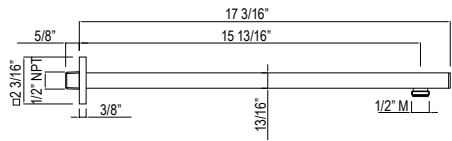
**Suggested Retail Price**

	MB	FB	GM	SG
MB3549 __	496	358	660	689



- Complements Graceline® collection and other transitional designs

**1410/16 17" Reach Wall Mount Shower Arm**



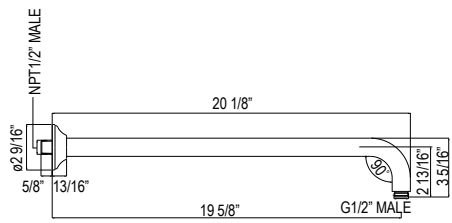
**Suggested Retail Price**

	APC	PN	STN	TCB
1410/16 __	478	574	620	679



- Escutcheon included

**1455/20 20" Reach Wall Mount Shower Arm**



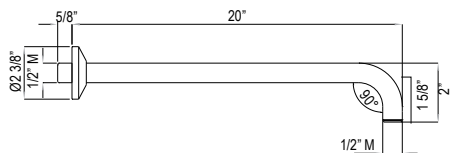
**Suggested Retail Price**

	APC	PN	STN	MB	IB	SUB	TCB	ULB
1455/20 __	203	244	280	321	321	289	289	289



- Escutcheon included
- Modern style round escutcheon available, order ROGSCO14

**1120 20" Reach Wall Mount Shower Arm**

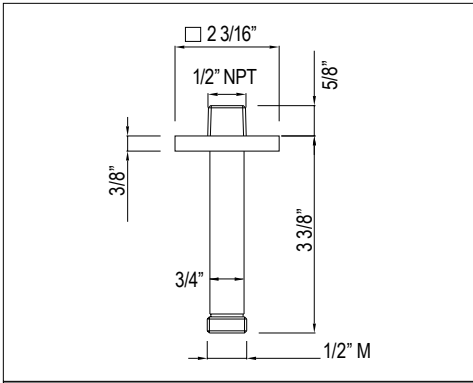


**Suggested Retail Price**

	APC	PN	STN	MB	SG	TCB	ULB
1120 __	101	204	271	271	271	271	271



- Escutcheon included



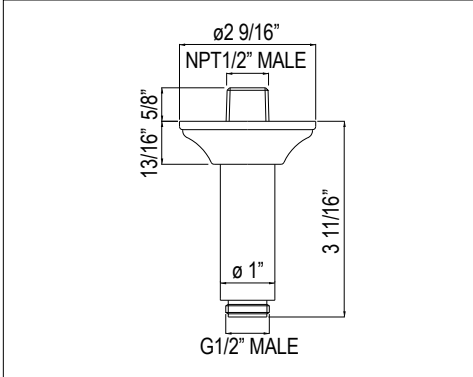
**1510/3 3" Ceiling Mount Shower Arm**



- Length cannot be cut down
- Escutcheon included

**Suggested Retail Price**

	APC	PN	STN	MB
1510/3 __	293	352	382	433



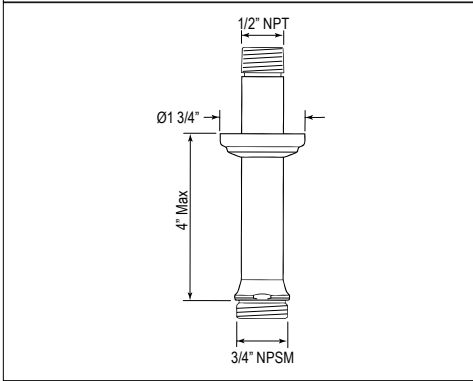
**1505/3 4" Ceiling Mount Shower Arm**



- Escutcheon included
- Modern style round escutcheon available, order ROGSCO14

**Suggested Retail Price**

	APC	PN	STN	MB	IB	TCB	ULB
1505/3 __	111	133	146	153	157	157	157



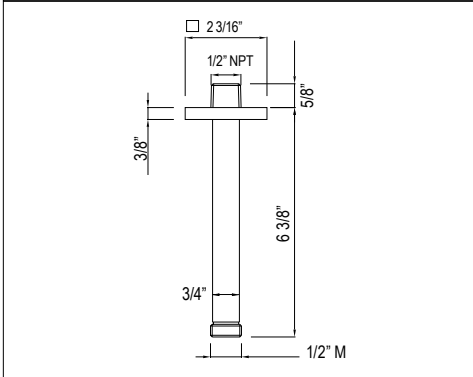
**U.5388 4" Ceiling Mount Shower Arm**



- To install 1/2" inlet showerheads, use adaptor U.5399

**Suggested Retail Price**

	APC	PN	STN	ULB
U.5388 __	170	204	214	242



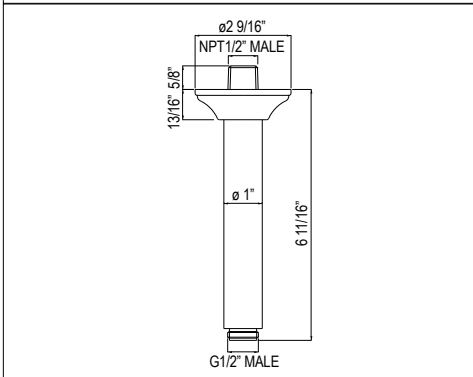
**1510/6 6" Ceiling Mount Shower Arm**



- Length cannot be cut down
- Escutcheon included

**Suggested Retail Price**

	APC	PN	STN
1510/6 __	385	462	500



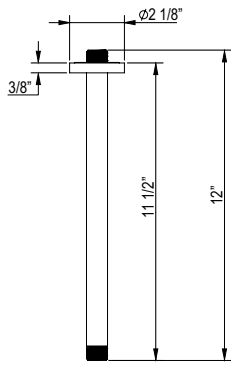
**1505/6 7" Ceiling Mount Shower Arm**



- Escutcheon included
- Modern style round escutcheon available, order ROGSCO14

**Suggested Retail Price**

	APC	PN	STN	MB	IB	SUB	TCB	ULB
1505/6 __	131	157	182	176	206	186	186	186



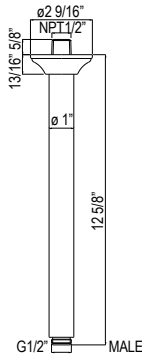
**MB3551 12" Ceiling Mount Shower Arm**



**Suggested Retail Price**

	MB	FB	GM	SG
MB3551 __	485	232	660	457

- Complements Graceline® collection and other transitional designs



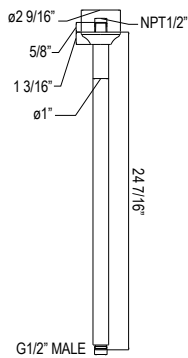
**1505/12 13" Ceiling Mount Shower Arm**



**Suggested Retail Price**

	APC	PN	STN	MB	IB	RG	TCB	ULB
1505/12 __	163	196	217	210	255	325	232	232

- Escutcheon included
- Modern style round escutcheon available, order ROGSCO14



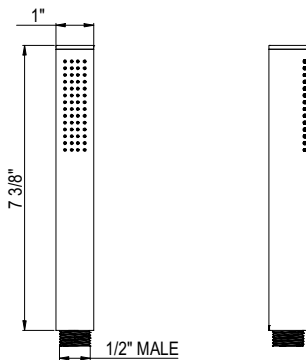
**1505/24 24" Ceiling Mount Shower Arm**



**Suggested Retail Price**

	APC	PN	STN	IB	TCB	ULB
1505/24 __	217	260	293	330	308	308

- Escutcheon included
- Modern style round escutcheon available, order ROGSCO14



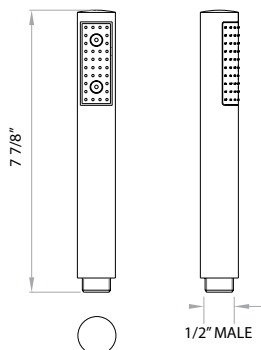
**U.5825 1" Single Function Handshower**



**Suggested Retail Price**

	APC	PN	STN	ULB
U.5825 __	263	315	328	373

- Available: Spring 2021
- 1 function
- 1.8 GPM at 60 PSI (CEC compliant)



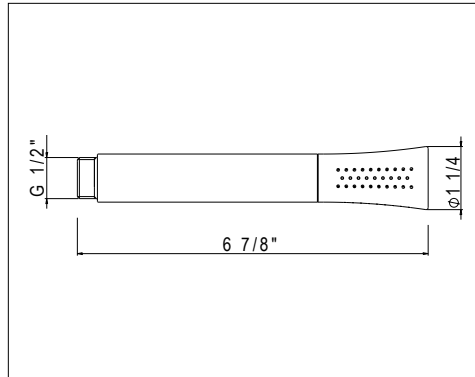
**C7135 2" Single Function Handshower**



**Suggested Retail Price**

	APC	PN	STN	MB	IB	TCB	ULB
C7135 __	199	199	264	264	264	264	264

- Complements Lombardia® collection and other modern designs
- 1 function
- 1.8 GPM at 60 PSI (CEC compliant)

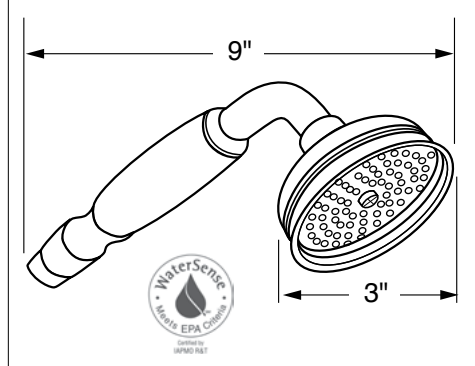


**DS014200 1" Single Function Handshower**

**Suggested Retail Price**

	APC	PN	STN	RG
DS014200-	155	186	212	225

- Complements Bellia™ collection and other transitional designs
- 1 function
- 1.8 GPM at 60 PSI (CEC compliant)

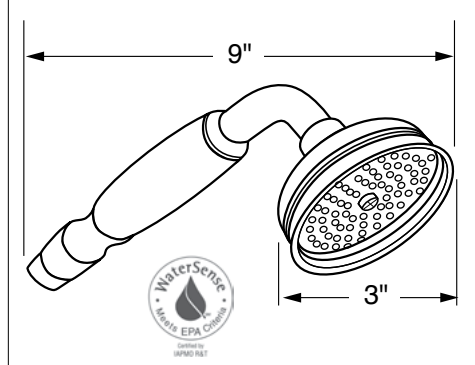


**1100/8E 3" Single Function Handshower**

**Suggested Retail Price**

	APC	PN	STN	IB	TCB
1100/8E-	220	264	282	312	312

- White accent handshower handle
- 1 function
- 1.8 GPM at 60 PSI (CEC compliant)

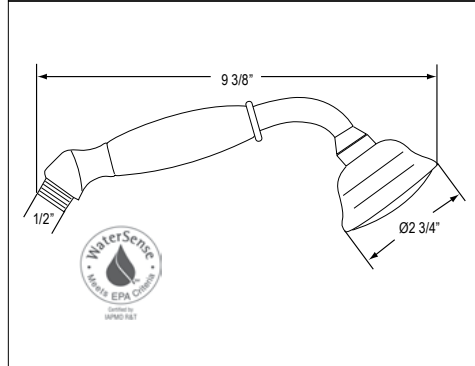


**1101/8E 3" Single Function Handshower**

**Suggested Retail Price**

	APC	PN	STN	MB	IB	SUB	TCB	ULB
1101/8E-	220	264	282	291	312	312	312	312

- Metal handshower handle
- 1 function
- 1.8 GPM at 60 PSI (CEC compliant)

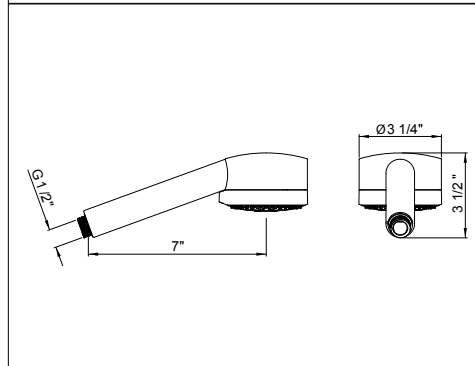


**B204 3" Single Function Handshower**

**Suggested Retail Price**

	APC	PN	STN	TCB
B204-	162	225	320	320

- 1 function
- 1.8 GPM at 60 PSI (CEC compliant)



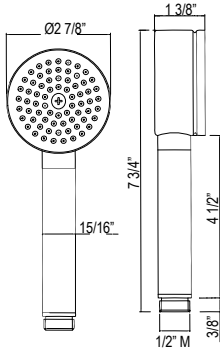
**U.5810 3" 6-Function Handshower**

**Suggested Retail Price**

	APC	PN	STN
U.5810-	464	557	581

- Complements Holborn™ collection and other transitional designs
- 6 functions
- 1.75 GPM at 60 PSI (CEC compliant)

PERRIN & ROWE



### 1130E 3" Single Function Handshower

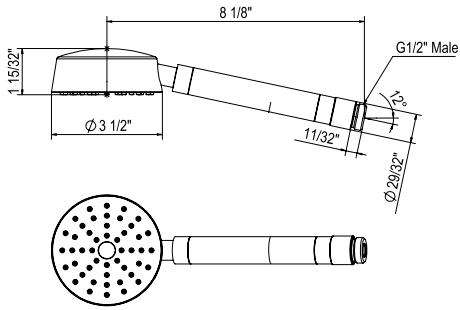


**Suggested Retail Price**

	APC	PN	STN	MB	FB	GM	IB	SG	SUB	TCB
1130E __	243	291	308	344	344	344	344	344	344	344

- 1 function
- 1.8 GPM at 60 PSI (CEC compliant)

### 40126HS1 4" Single Function Handshower

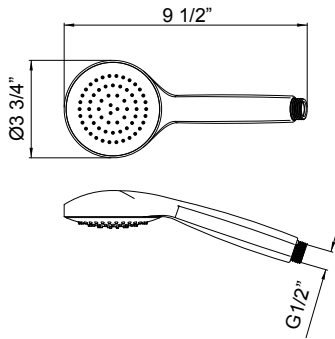


**Suggested Retail Price**

	APC	PN	STN	MB	AG
40126HS1 __	228	274	285	297	324

- 1 function
- 1.75 GPM at 60 PSI (CEC compliant)

### U.5815 4" Single Function Handshower

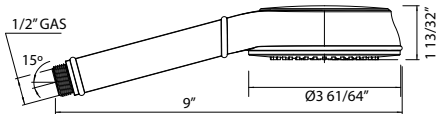


**Suggested Retail Price**

	APC	PN	STN
U.5815 __	263	316	335

- 1 function
- 1.8 GPM at 60 PSI (CEC compliant)

### B0315 4" Single Function Handshower

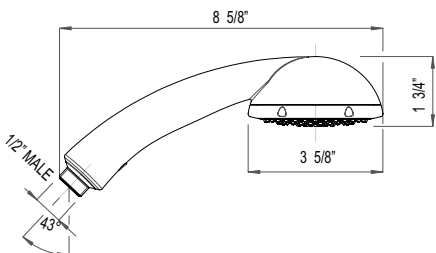


**Suggested Retail Price**

	APC	PN	STN	MB	SG	TCB
B0315 __	127	163	221	251	251	251

- 1 function
- 1.8 GPM at 60 PSI (CEC compliant)

### B00151 4" 2-Function Handshower

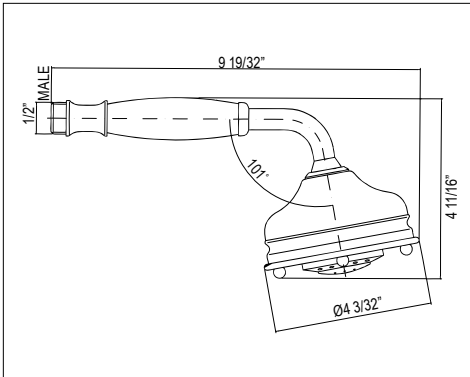


**Suggested Retail Price**

	APC	PN	STN	MB	SG	TCB
B00151 __	113	144	185	154	216	216

- 2 functions
- 1.8 GPM at 60 PSI (CEC compliant)





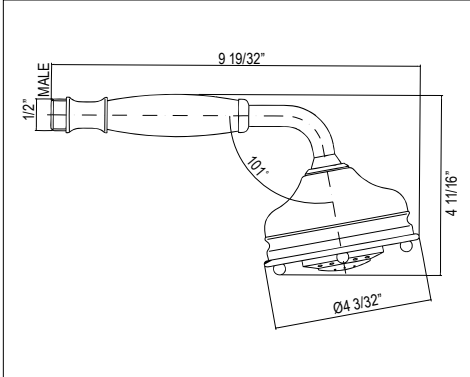
**1150/8 4" 3-Function Handshower**



**Suggested Retail Price**

	APC	PN	STN	IB	TCB
1150/8	404	485	542	574	574

- White accent handshower handle
- 3 functions
- 1.8 GPM at 60 PSI (CEC compliant)



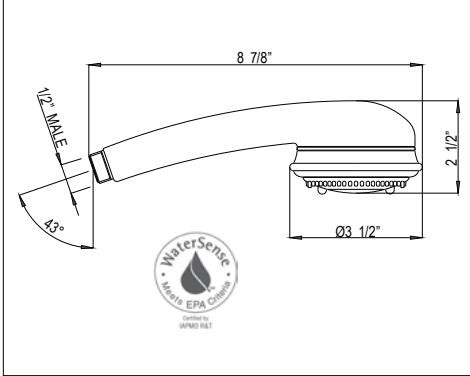
**1151/8 4" 3-Function Handshower**



**Suggested Retail Price**

	APC	PN	STN	IB	TCB	ULB
1151/8	404	485	542	574	574	574

- Metal handshower handle
- 3 functions
- 1.8 GPM at 60 PSI (CEC compliant)



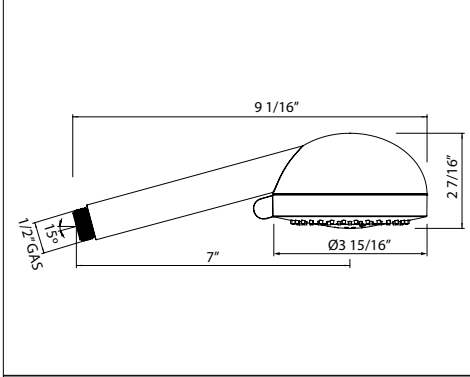
**B240NHSO 4" 3-Function Handshower**



**Suggested Retail Price**

	APC	PN	STN	TCB
B240NHSO	184	237	328	328

- 3 functions
- 1.8 GPM at 60 PSI (CEC compliant)



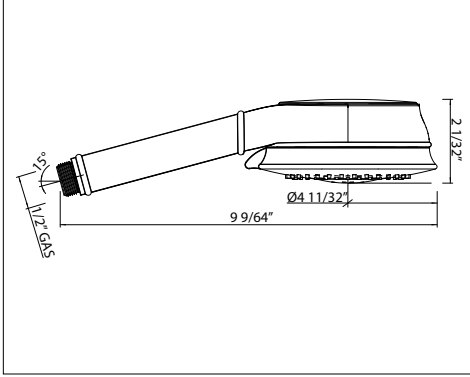
**B00188 4" 3-Function Handshower**



**Suggested Retail Price**

	APC	PN	STN	SG
B00188	113	154	195	195

- 3 functions
- 1.8 GPM at 60 PSI (CEC compliant)



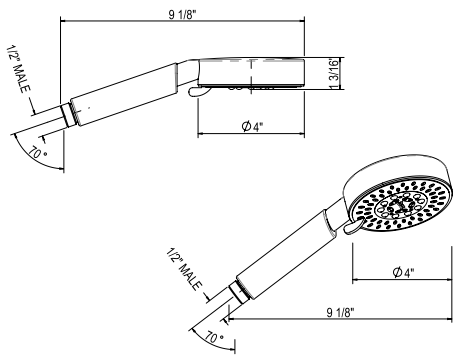
**B0314 4" 3-Function Handshower**



**Suggested Retail Price**

	APC	PN	STN	MB	SG	TCB
B0314	123	195	278	195	329	329

- 3 functions
- 1.8 GPM at 60 PSI (CEC compliant)



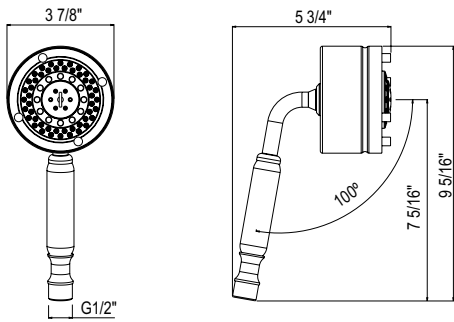
**SOF136 4" 5-Function Handshower**



**Suggested Retail Price**

	APC	PN	STN
SOF136	118	143	147

- 5 functions
- 1.75 GPM at 60 PSI (CEC compliant)



**402HS5 4" 5-Function Handshower**

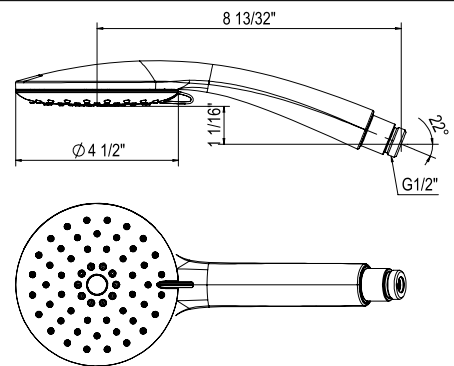


**Suggested Retail Price**

	APC	PN	STN	MB	FB	GM	SG	ULB
402HS5	338	406	423	440	480	480	480	480

- 5 functions
- 1.75 GPM at 60 PSI (CEC compliant)

NEW



**50126HS3 5" 3-Function Handshower**

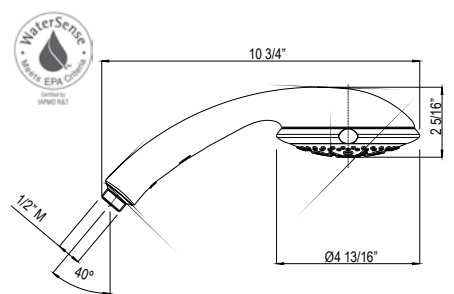


**Suggested Retail Price**

	APC	PN	STN	MB	AG
50126HS3	198	238	248	258	282

- 3 functions
- 1.75 GPM at 60 PSI (CEC compliant)

NEW



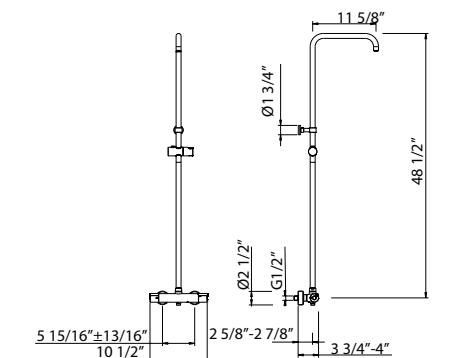
**B00102 5" 4-Function Handshower**



**Suggested Retail Price**

	APC	PN	STN	MB	SG	TCB
B00102	154	195	362	257	432	432

- 4 functions
- 1.8 GPM at 60 PSI (CEC compliant)



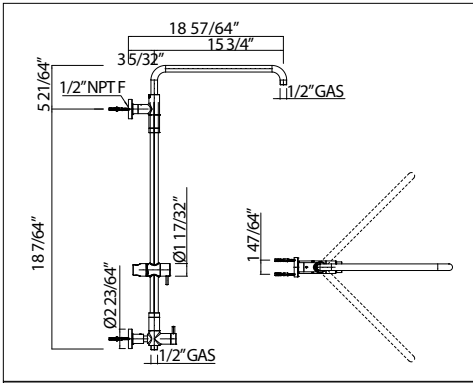
**C72 Exposed Wall Mount Thermostatic Shower With Diverter**



**Suggested Retail Price**

	APC	PN	STN
C72	635	762	901

- Temperature and volume control
- 1/2" female connections



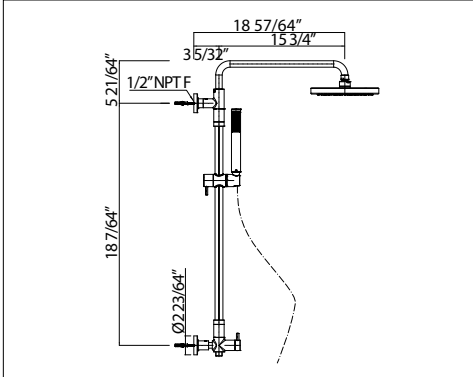
**L0095** Retro-Fit Shower Column Riser With Diverter



**Suggested Retail Price**

	APC	PN	STN	MB	TCB
L0095	1205	1562	2025	1566	1716

- Replaces standard wall shower arm outlet to allow for dual function Rain style overhead showerhead and handshower
- Manual 2-function diverter with ceramic disc cartridge for separate functions
- 1/2" female NPT inlet
- Showerhead, handshower and flexible shower hose not included, must be ordered separately



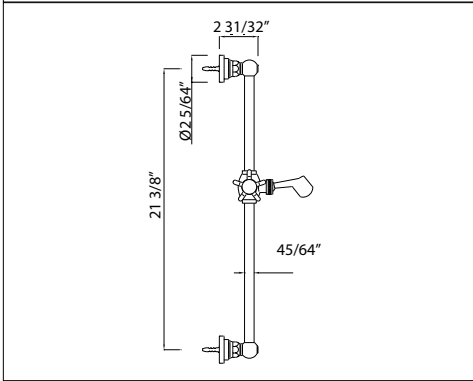
**L0095KIT1** Retro-Fit Shower Column Riser With Diverter/Handshower/Hose/Showerhead Set



**Suggested Retail Price**

	APC	PN	STN
L0095KIT1	1601	2076	2580

- B0310 single-function handshower
- W10196 single-function showerhead
- 1.8 GPM at 60 PSI (CEC compliant)
- 1/2" female NPT inlet



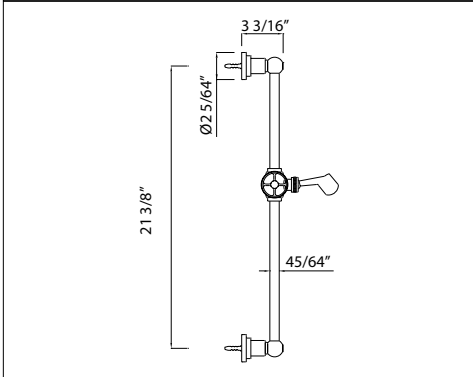
**A8073** 21" Slide Bar



**Suggested Retail Price**

Handle	APC	PN	STN	SUB	TCB
A8073X	577	693	774	820	820
A8073XM	656	787	877	877	931

- Length can be cut down
- Complements San Giovanni™ collection and other transitional designs



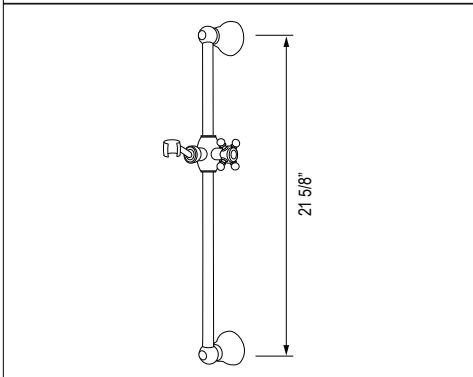
**A8074** 21" Slide Bar



**Suggested Retail Price**

Handle	APC	PN	STN	MB	SUB	TCB
A8074IW	616	740	826	826	875	876

- Length can be cut down
- Complements Campo™ collection and other transitional designs



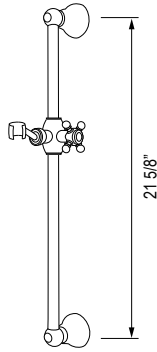
**1200** 22" Slide Bar



**Suggested Retail Price**

	APC	PN	STN	IB	TCB
1200	435	522	549	618	618

- Length can be cut down
- Porcelain cap on handle



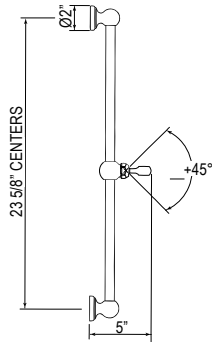
**1201 22" Slide Bar**



**Suggested Retail Price**

	APC	PN	STN	IB	SUB	TCB	ULB
1201 __	435	522	549	618	618	618	618

- Length can be cut down
- Metal cap on handle



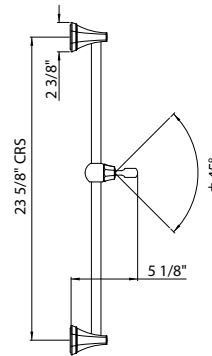
**U.5540 24" Slide Bar**



**Suggested Retail Price**

	APC	PN	STN	ULB
U.5540 __	984	1181	1230	1398

- Use with Perrin & Rowe hoses only
- Includes both porcelain and metal lever inserts



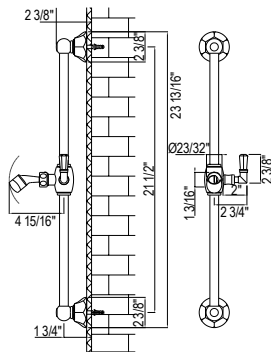
**U.5140 24" Slide Bar**



**Suggested Retail Price**

	APC	PN	STN	ULB
U.5140 __	1033	1239	1291	1466

- Length can be cut down
- Use with Perrin & Rowe hoses only
- Complements Deco™ collection and other transitional designs



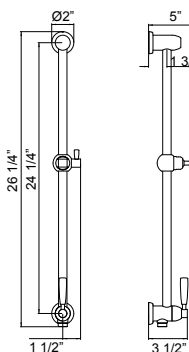
**1230 24" Slide Bar**



**Suggested Retail Price**

	APC	PN	STN	IB	SUB	TCB	ULB
1230 __	811	973	1057	1152	1152	1152	1152

- Length can be cut down
- Complements Palladian® collection and other transitional designs



**U.5350 24" Slide Bar With Integrated Volume Control And Outlet**

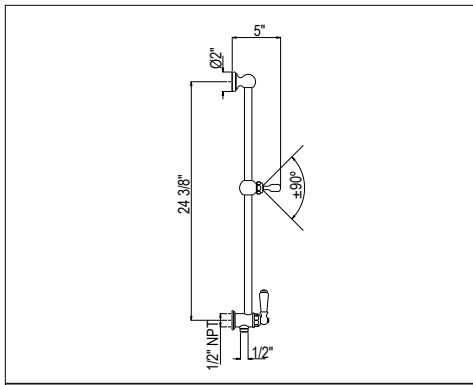


**Suggested Retail Price**

	APC	PN	STN
U.5350 __	1278	1533	1597

- Length can be cut down
- Use with Perrin & Rowe® 9.28385 hoses only
- Volume control
- Complements Holborn™ collection and other transitional designs





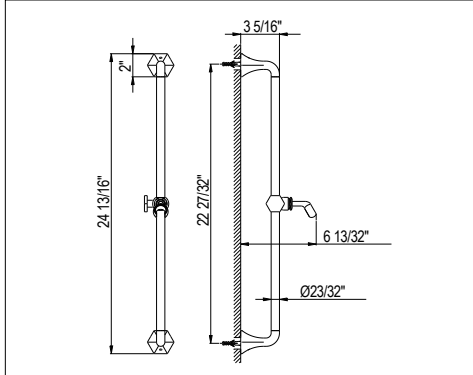
**U.5535 25" Slide Bar With Integrated Volume Control And Outlet**



**Suggested Retail Price**

	APC	PN	STN	ULB
U.5535	1245	1494	1556	1768

- Length can be cut down
- Use with Perrin & Rowe® hoses only
- Volume control
- Complements Edwardian™ collection and other traditional designs



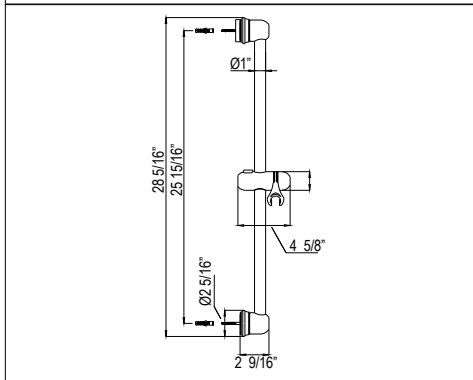
**DSA12210 25" Slide Bar**



**Suggested Retail Price**

	APC	PN	STN	RG
DSA12210-	460	552	591	747

- Length cannot be cut down
- Complements Bellia™ collection and other transitional designs



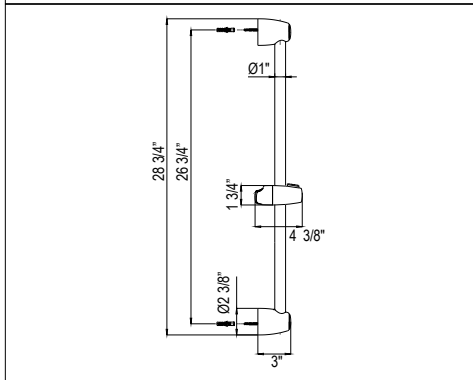
**D800 28" Slide Bar**



**Suggested Retail Price**

	APC	PN	STN	MB	TCB
D800	388	542	711	711	711

- Length can be cut down



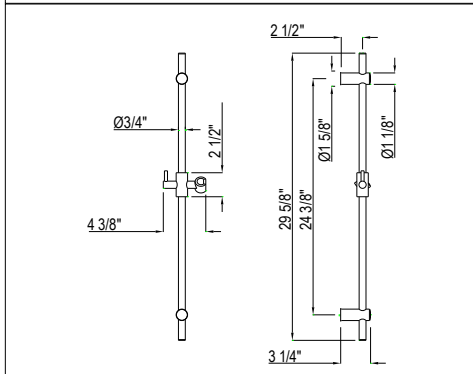
**D63000 29" Slide Bar**



**Suggested Retail Price**

	APC	PN	STN	MB	SG	TCB
D63000	158	210	291	291	291	291

- Length can be cut down



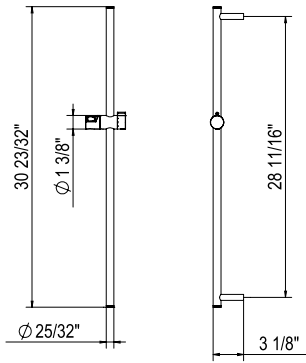
**1650 30" Slide Bar**



**Suggested Retail Price**

	APC	PN	STN	MB	IB	SUB	TCB	ULB
1650	341	408	452	500	500	485	485	485

- Length cannot be cut down

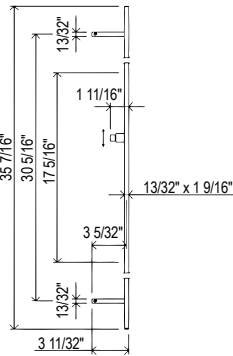


**310127SB 31" Slide Bar**



- Length cannot be cut down

Suggested Retail Price					
	APC	PN	STN	MB	AG
310127SB _ _	248	298	310	323	353

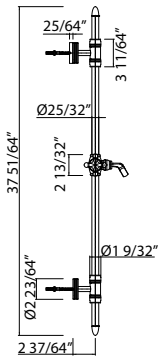


**1210 36" Slide Bar**



- Length cannot be cut down

Suggested Retail Price				
	APC	PN	STN	MB
1210 _ _	985	1182	1285	1462

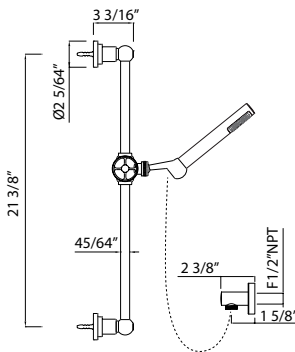


**D19000 38" Slide Bar**



- Length cannot be cut down

Suggested Retail Price				
	APC	PN	STN	TCB
D19000 _ _	623	955	1215	1624

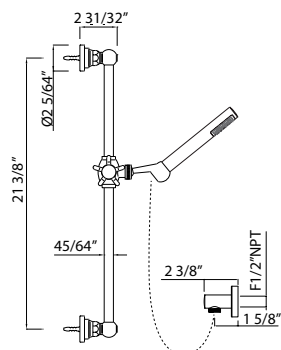


**AKIT8074 Handshower Set With 21" Slide Bar and Single Function Handshower**



- Complements Campo™ collection and other transitional designs
- C7135 single-function handshower
- 1.8 GPM at 60 PSI (CEC compliant)

Suggested Retail Price						
Handle	APC	PN	STN	MB	SUB	TCB
AKIT8074IW _ _	946	1135	1353	1378	1353	1403

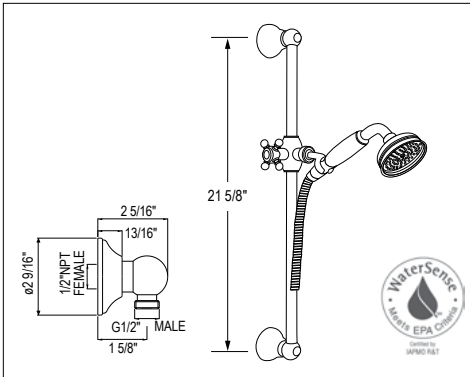


**AKIT8073 Handshower Set With 21" Slide Bar and Single Function Handshower**



- Complements San Giovanni™ collection and other transitional designs
- C7135 single-function handshower
- 1.8 GPM at 60 PSI (CEC compliant)

Suggested Retail Price					
Handle	APC	PN	STN	SUB	TCB
AKIT8073X _ _	907	1088	1301	1301	1348
AKIT8073XM _ _	985	1182	1404	1404	1458



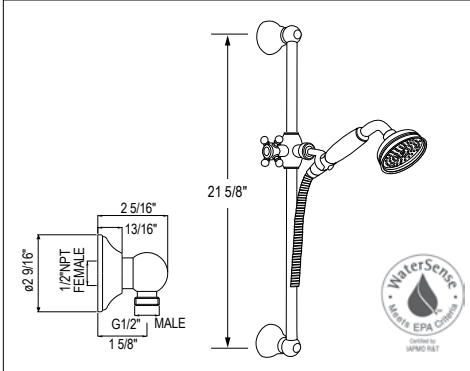
**1301E Handshower Set With 22" Slide Bar and Single Function Handshower**



**Suggested Retail Price**

	APC	PN	STN	IB	SUB	TCB	ULB
1301E	768	921	1084	1160	1090	1090	1090

- Metal insert on 1301E cross handle and handshowers
- 1101/8E single-function handshower
- 1.8 GPM at 60 PSI (CEC compliant)



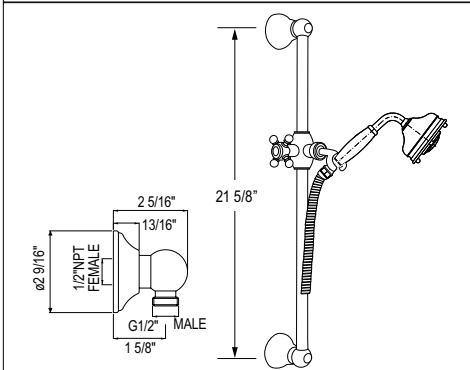
**1300E Handshower Set With 22" Slide Bar and Single Function Handshower**



**Suggested Retail Price**

	APC	PN	STN	IB	TCB
1300E	768	921	1084	1160	1090

- White accent insert on 1300E cross handle and handshowers
- 1100/8E single-function handshower
- 1.8 GPM at 60 PSI (CEC compliant)



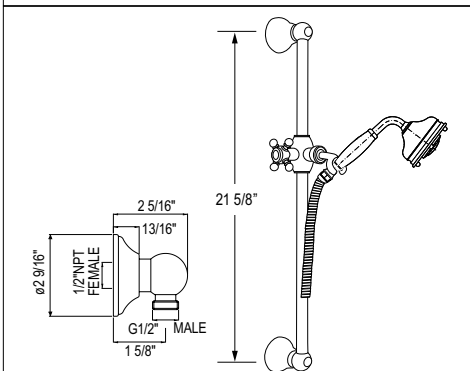
**1310 Handshower Set With 22" Slide Bar and 3-Function Handshower**



**Suggested Retail Price**

	APC	PN	STN	IB	TCB
1310	929	1114	1297	1388	1318

- 1150/8 3-function handshower
- 1.8 GPM at 60 PSI (CEC compliant)



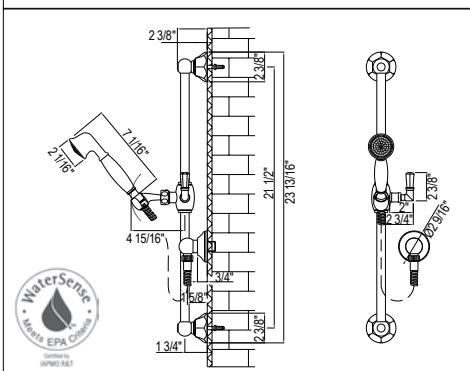
**1311 Handshower Set With 22" Slide Bar and 3-Function Handshower**



**Suggested Retail Price**

	APC	PN	STN	IB	TCB	ULB
1311	929	1114	1293	1390	1318	1318

- 1151/8 3-function handshower
- 1.8 GPM at 60 PSI (CEC compliant)



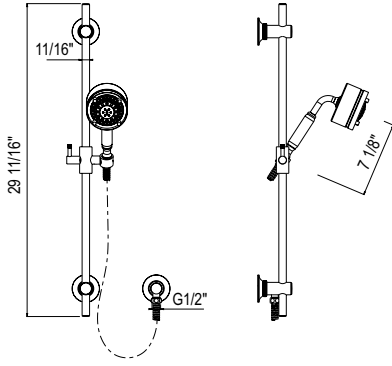
**1330 Handshower Set With 24" Slide Bar and Single Function Handshower**



**Suggested Retail Price**

	APC	PN	STN	IB	SUB	TCB	ULB
1330	1174	1408	1524	1666	1666	1666	1666

- Complements Palladian® collection and other transitional designs
- 1105/8 single-function handshower
- 1.8 GPM at 60 PSI (CEC compliant)



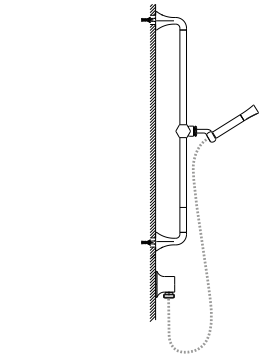
**MB2046 Handshower Set With 24" Slide Bar and Single Function Handshower**



**Suggested Retail Price**

	APC	PN	STN	MB	FB	GM	SG
MB2046 _ _	1012	1214	1265	1316	1437	1437	2288

- Complements Graceline® collection and other transitional designs
- Single-function 402HS5 handshower
- 1.8 GPM at 60 PSI (CEC compliant)



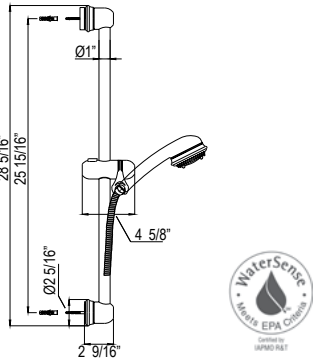
**BEKIT12110 Handshower Set With 25" Slide Bar and Single Function Handshower**



**Suggested Retail Price**

	APC	PN	STN	RG
BEKIT12110- _ _	865	1038	1095	1333

- Complements Bellia™ collection and other transitional designs
- DS014200 single-function handshower
- 1.8 GPM at 60 PSI (CEC compliant)



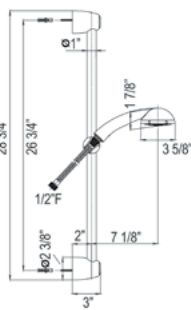
**D800/1N Handshower Set With 28" Slide Bar and 3-Function Handshower**



**Suggested Retail Price**

	APC	PN	STN	TCB
D800/1N _ _	682	829	1254	1254

- B240NHSO 3-function handshower
- 1.8 GPM at 60 PSI (CEC compliant)



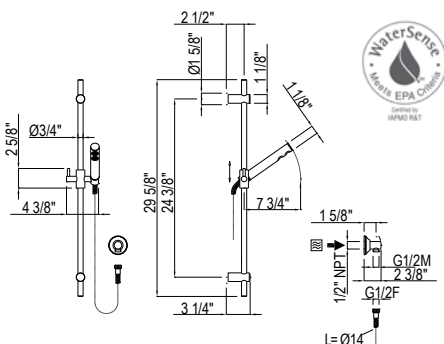
**D63003 Handshower Set With 29" Slide Bar and 3-Function Handshower**



**Suggested Retail Price**

	APC	PN	STN	TCB
D63003 _ _	346	472	660	660

- B00151 3-function handshower
- 1.8 GPM at 60 PSI (CEC compliant)



**1600 Handshower Set With 30" Slide Bar and Single Function Handshower**

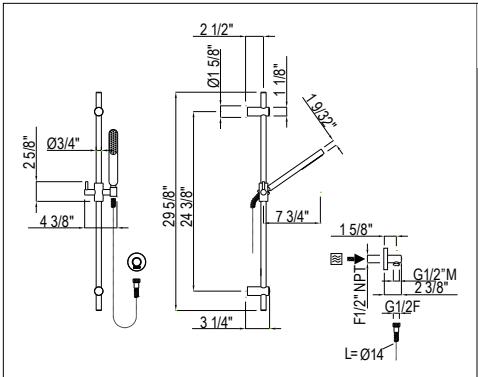


**Suggested Retail Price**

	APC	PN	STN	MB
1600 _ _	529	635	781	719

- 1670/8 single-function handshower
- 1.8 GPM at 60 PSI (CEC compliant)





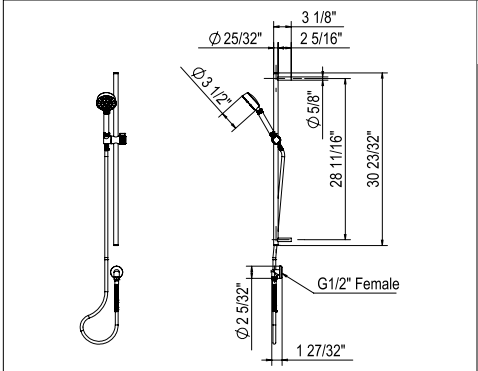
**1628 Handshower Set With 30" Slide Bar and Single Function Handshower**



**Suggested Retail Price**

	APC	PN	STN
1628	701	841	1073

- Complements Meda™ collection and other modern designs
- DS1142502 single-function handshower
- 1.8 GPM at 60 PSI (CEC compliant)



**0126SBHS1 Handshower Set With 31" Slide Bar and Single Function Handshower**

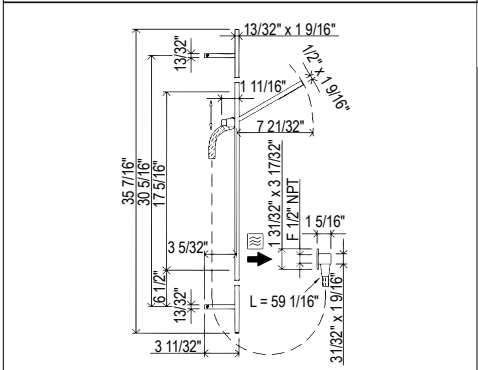


**Suggested Retail Price**

	APC	PN	STN	MB	AG
0126SBHS1	544	653	680	708	773

- 1.75 GPM at 60 PSI (CEC compliant)
- Length cannot be cut down

NEW



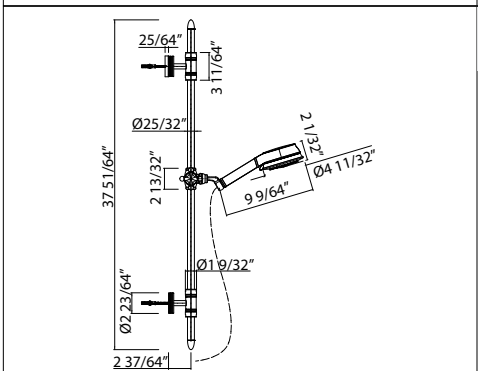
**1340 Handshower Set With 36" Slide Bar and Single Function Handshower**



**Suggested Retail Price**

	APC	PN	STN	TCB
1340	1751	2102	2281	2487

- 1145/8 single-function handshower
- 1.8 GPM at 60 PSI (CEC compliant)



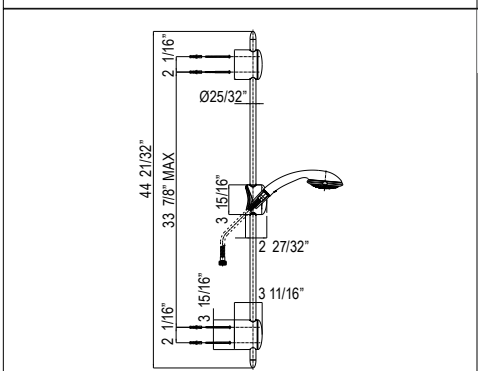
**D19000/3 Handshower Set With 38" Slide Bar and 3-Function Handshower**



**Suggested Retail Price**

	APC	PN	STN	TCB
D19000/3	842	1110	1376	1621

- B0314 3-function handshower
- 1.8 GPM at 60 PSI (CEC compliant)



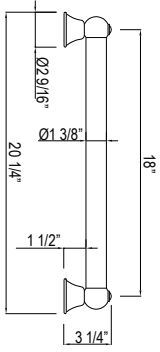
**D96001 Handshower Set With 45" Slide Bar and 4-Function Handshower**



**Suggested Retail Price**

	APC	PN	STN	TCB
D96001	989	1234	1934	1934

- B00102 4-function handshower
- 1.8 GPM at 60 PSI (CEC compliant)



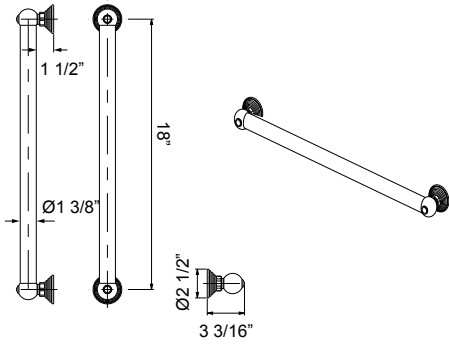
**1252 18" Grab Bar**



**Suggested Retail Price**

APC	PN	STN	IB	SUB	TCB	ULB
1252__	540	648	700	767	767	767

- Length cannot be cut down
- Grab Bar compliant with Americans with Disabilities Act of 1990 (ADA)



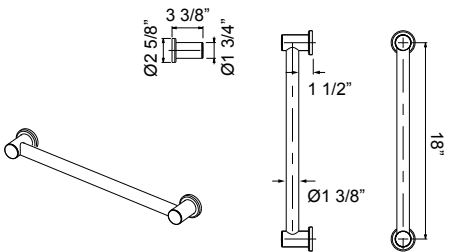
**1260 18" Grab Bar**



**Suggested Retail Price**

APC	PN	STN	IB	SUB	TCB
1260__	576	691	751	818	818

- Length cannot be cut down
- Grab Bar compliant with Americans with Disabilities Act of 1990 (ADA)



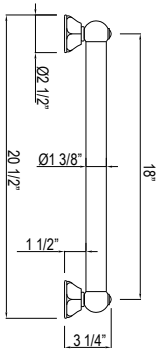
**1265 18" Grab Bar**



**Suggested Retail Price**

APC	PN	STN	MB	IB	SUB	TCB
1265__	576	691	751	787	819	818

- Length cannot be cut down
- Grab Bar compliant with Americans with Disabilities Act of 1990 (ADA)



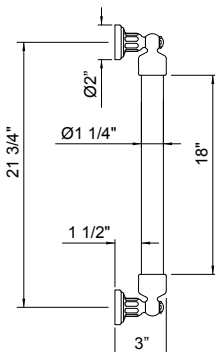
**1277 18" Grab Bar**



**Suggested Retail Price**

APC	PN	STN	IB	SUB	TCB
1277__	961	1154	1254	1365	1365

- Length cannot be cut down
- Grab Bar compliant with Americans with Disabilities Act of 1990 (ADA)
- Complements Palladian® collection and other transitional designs



**U.6907 22" Grab Bar**

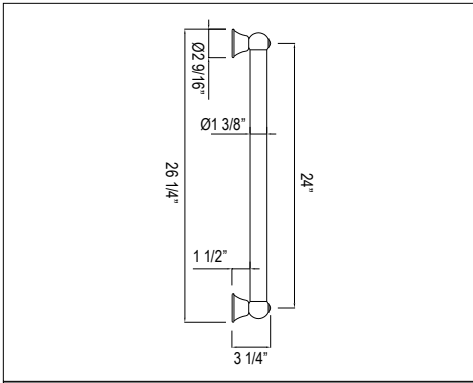


**Suggested Retail Price**

APC	PN	STN	ULB
U.6907__	551	661	689
			782

- Length cannot be cut down
- Grab Bar compliant with Americans with Disabilities Act of 1990 (ADA)





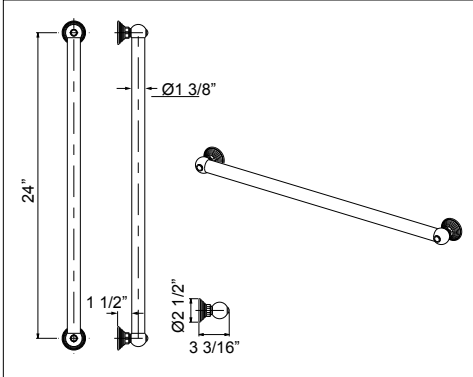
**1251 24" Grab Bar**



**Suggested Retail Price**

APC	PN	STN	IB	TCB
1251	572	686	744	812 812

- Length cannot be cut down
- Grab Bar compliant with Americans with Disabilities Act of 1990 (ADA)



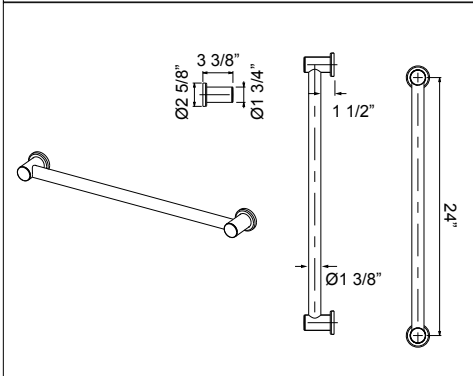
**1261 24" Grab Bar**



**Suggested Retail Price**

APC	PN	STN	IB	TCB
1261	615	738	804	874 874

- Length cannot be cut down
- Grab Bar compliant with Americans with Disabilities Act of 1990 (ADA)



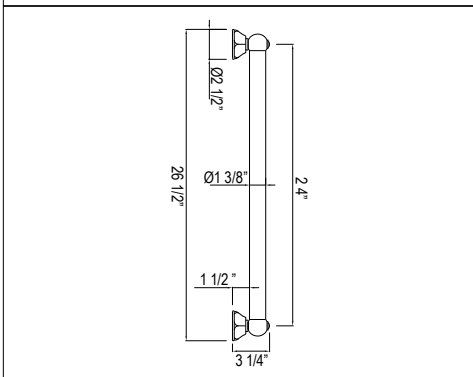
**1266 24" Grab Bar**



**Suggested Retail Price**

APC	PN	STN	MB	IB	TCB
1266	615	738	804	844	874 874

- Length cannot be cut down
- Grab Bar compliant with Americans with Disabilities Act of 1990 (ADA)



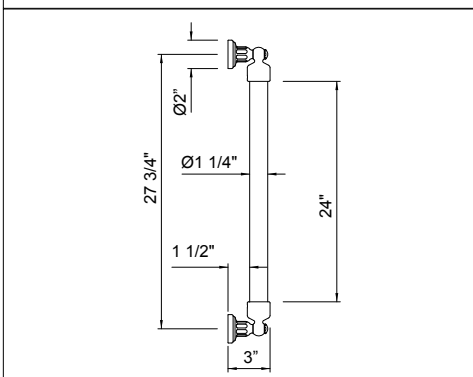
**1278 24" Grab Bar**



**Suggested Retail Price**

APC	PN	STN	IB	TCB
1278	985	1182	1280	1399 1399

- Length cannot be cut down
- Grab Bar compliant with Americans with Disabilities Act of 1990 (ADA)
- Complements Palladian® collection and other transitional designs



**U.6911 28" Grab Bar**

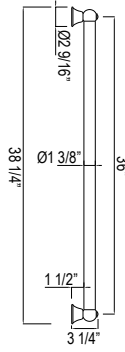


**Suggested Retail Price**

APC	PN	STN
U.6911	600	720 750

- Length cannot be cut down
- Grab Bar compliant with Americans with Disabilities Act of 1990 (ADA)





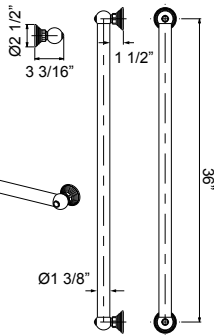
**1250 36" Grab Bar**



**Suggested Retail Price**

APC	PN	STN	IB	TCB
1250	607	729	784	862

- Length cannot be cut down
- Grab Bar compliant with Americans with Disabilities Act of 1990 (ADA)



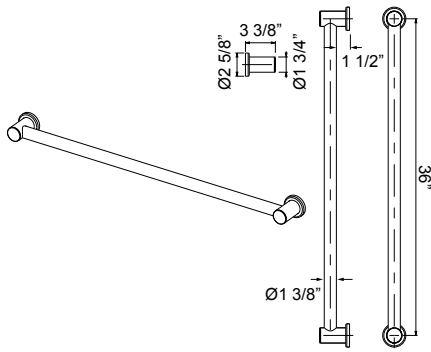
**1262 36" Grab Bar**



**Suggested Retail Price**

APC	PN	STN	IB	TCB
1262	669	803	869	950

- Length cannot be cut down
- Grab Bar compliant with Americans with Disabilities Act of 1990 (ADA)



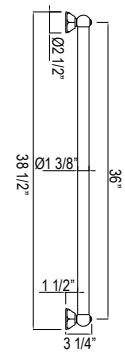
**1267 36" Grab Bar**



**Suggested Retail Price**

APC	PN	STN	MB	IB	TCB
1267	669	803	869	910	951

- Length cannot be cut down
- Grab Bar compliant with Americans with Disabilities Act of 1990 (ADA)



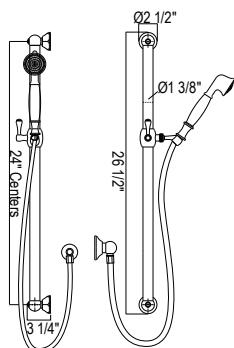
**1279 36" Grab Bar**



**Suggested Retail Price**

APC	PN	STN	IB	TCB	ULB
1279	1022	1227	1328	1452	1452

- Length cannot be cut down
- Grab Bar compliant with Americans with Disabilities Act of 1990 (ADA)
- Complements Palladian® collection and other transitional designs



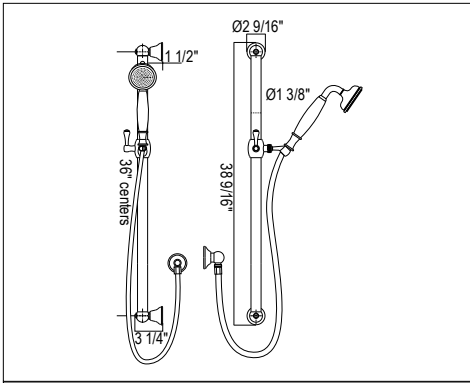
**1282 Handshower Set With 24" Grab Bar and Single Function Handshower**



**Suggested Retail Price**

APC	PN	STN	IB	TCB
1282	1556	1867	2101	2285

- Grab Bar compliant with Americans with Disabilities Act of 1990 (ADA)
- Complements Palladian® collection and other transitional designs
- 1105/8 single-function handshower
- 1.8 GPM at 60 PSI (CEC compliant)



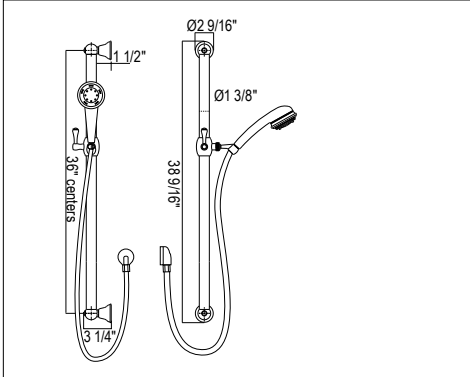
**1272E Handshower Set With 39" Grab Bar and Single Function Handshower**



**Suggested Retail Price**

	APC	PN	STN	IB	TCB
1272E	1266	1520	1718	1805	1798

- Grab Bar compliant with Americans with Disabilities Act of 1990 (ADA)
- 1101/8E single-function handshower
- 1.8 GPM at 60 PSI (CEC compliant)



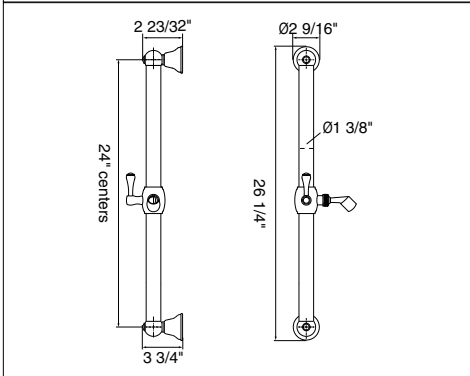
**1273N Handshower Set With 39" Grab Bar and 3-Function Handshower**



**Suggested Retail Price**

	APC	PN	STN	TCB
1273N	1239	1486	1720	1759

- Grab Bar compliant with Americans with Disabilities Act of 1990 (ADA)
- B240NHSO 3-function handshower
- 1.8 GPM at 60 PSI (CEC compliant)



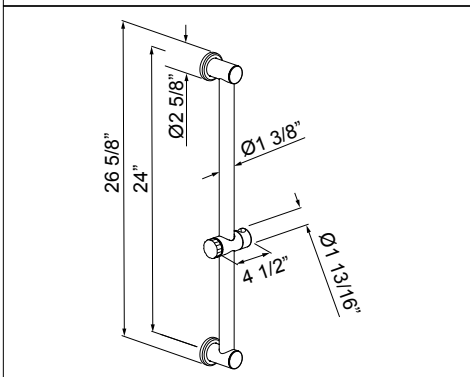
**1271 24" Grab Bar**



**Suggested Retail Price**

	APC	PN	STN	IB	TCB
1271	857	1029	1110	1217	1217

- Length cannot be cut down
- Grab Bar compliant with Americans with Disabilities Act of 1990 (ADA)



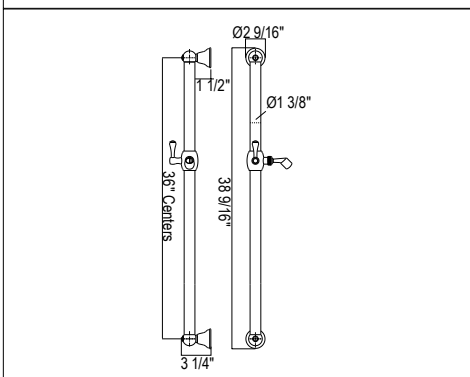
**1366 24" Grab Bar**



**Suggested Retail Price**

	APC	PN	STN	MB	IB	TCB
1366	887	1133	1154	1214	1260	1260

- Length cannot be cut down
- Grab Bar compliant with Americans with Disabilities Act of 1990 (ADA)



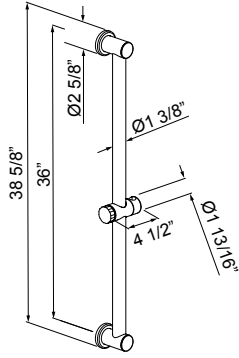
**1270 36" Grab Bar**



**Suggested Retail Price**

	APC	PN	STN	IB	TCB
1270	892	1066	1150	1267	1267

- Length cannot be cut down
- Grab Bar compliant with Americans with Disabilities Act of 1990 (ADA)



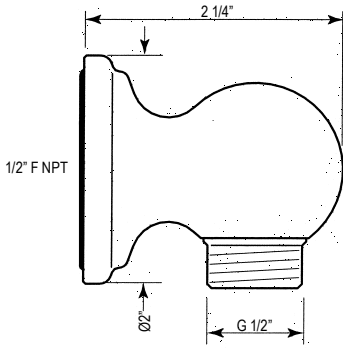
**1367 36" Grab Bar**



**Suggested Retail Price**

APC	PN	STN	MB	IB	TCB
1367	941	1129	1219	1280	1336 1336

- Length cannot be cut down
- Grab Bar compliant with Americans with Disabilities Act of 1990 (ADA)



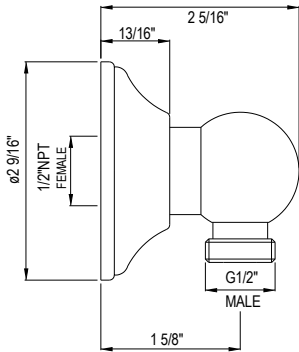
**U.5546 Handshower Outlet**



**Suggested Retail Price**

APC	PN	STN	ULB
U.5546	201	242	252 287

- 1/2" outlet male; 1/2" inlet female NPT



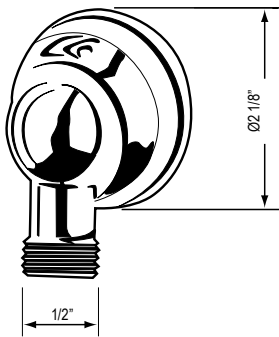
**1295 Handshower Outlet**



**Suggested Retail Price**

APC	PN	STN	IB	SUB	TCB	ULB
1295	102	123	128	145	145	145 145

- 1/2" outlet male; 1/2" inlet female NPT



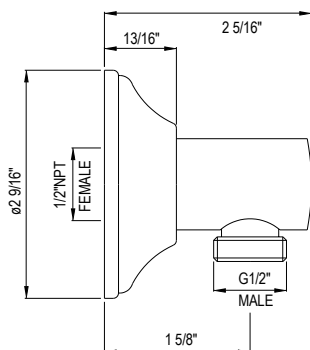
**V00022 Handshower Outlet**



**Suggested Retail Price**

APC	PN	STN	SG	TCB
V00022	78	100	117	117 117

- 1/2" outlet male; 1/2" inlet female NPT



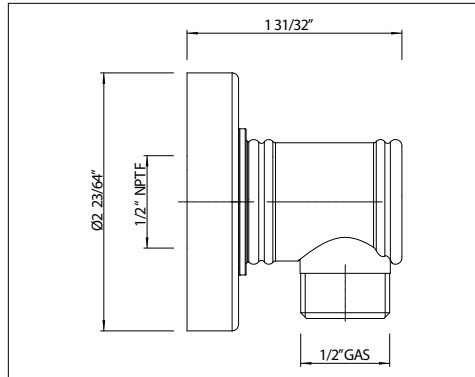
**1690 Handshower Outlet**




**Suggested Retail Price**

APC	PN	STN	MB	IB	SUB	ULB
1690	93	112	123	125	132	132 132

- 1/2" outlet male; 1/2" inlet female NPT



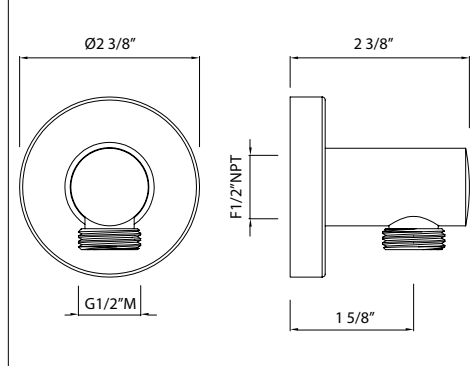
### V00222 Handshower Outlet




**Suggested Retail Price**

	APC	PN	STN	SG	TCB
V00222 _ _	72	108	148	195	195

- 1/2" outlet male; 1/2" inlet female NPT



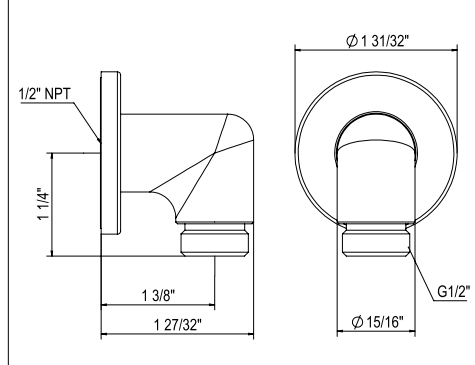
### 33640 Handshower Outlet




**Suggested Retail Price**

	APC	PN	STN	MB	SUB	TCB	ULB
33640 _ _	93	112	123	125	132	132	132

- 1/2" outlet male; 1/2" inlet female NPT



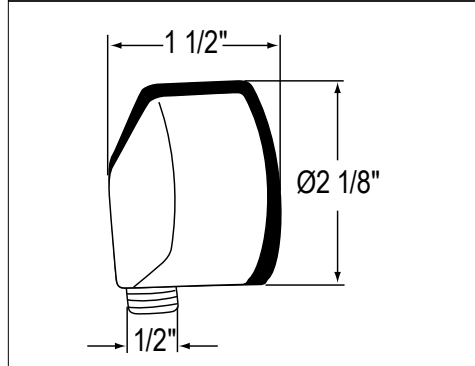
### 0127WO Handshower Outlet




**Suggested Retail Price**

	APC	PN	STN	MB	AG
0127WO _ _	68	82	85	89	97

- Complements Tenerife™ collection and other transitional designs



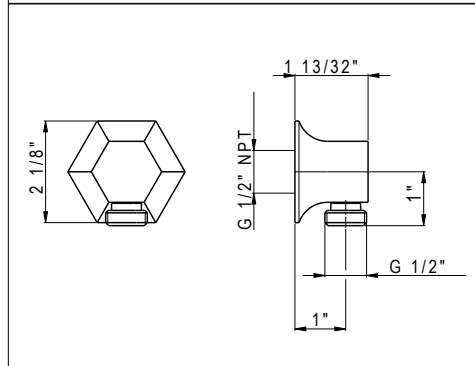
### E824 Handshower Outlet




**Suggested Retail Price**

	APC	PN	STN	TCB
E824 _ _	66	87	122	122

- 1/2" outlet male; 1/2" inlet female NPT



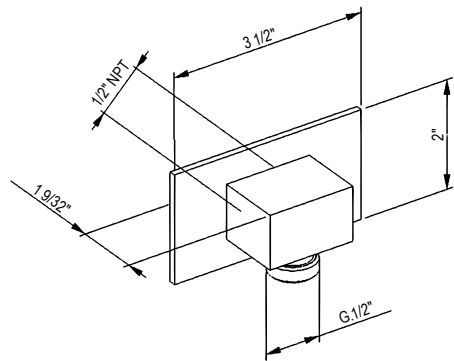
### BE170 Shower Outlet



**Suggested Retail Price**

	APC	PN	STN	RG
BE170- _ _	172	207	215	246

- Complements Bellia™ collection and other transitional designs

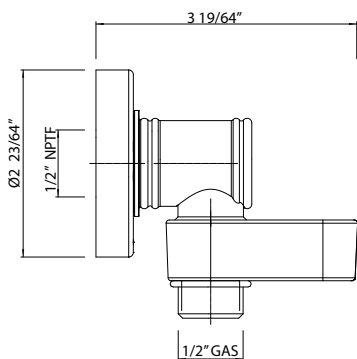


**1795 Square Handshower Shower Outlet**



- 1/2" outlet male; 1/2" inlet female NPT

Suggested Retail Price					
APC	PN	STN	MB	TCB	
1795	233	280	301	365	331

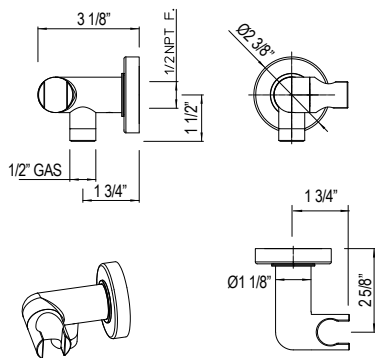


**C50000 Handshower Outlet With Holder**



- Adjustable

Suggested Retail Price				
APC	PN	STN	TCB	
C50000	119	161	201	236

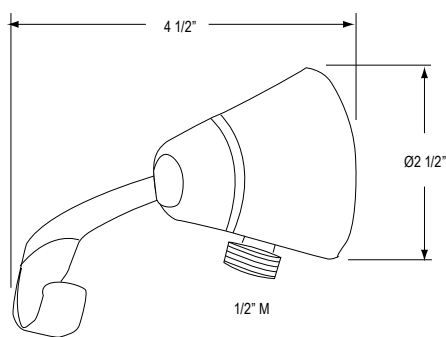


**CD8000 Handshower Outlet With Holder**



- Adjustable

Suggested Retail Price						
APC	PN	STN	MB	SG	TCB	
CD8000	154	195	257	205	257	257

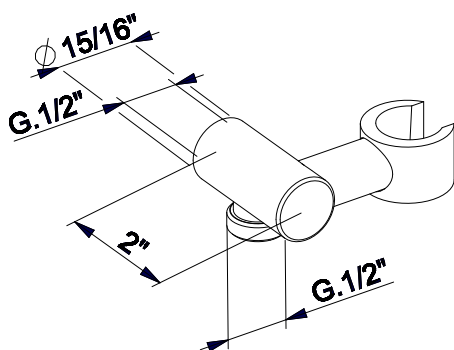


**C21000 Handshower Outlet With Holder**



- Adjustable

Suggested Retail Price				
APC	PN	STN	TCB	
C21000	118	157	202	202



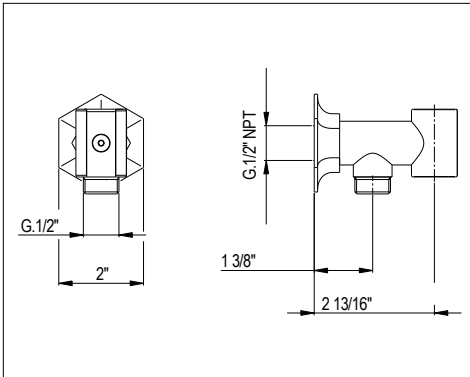
**1630 Handshower Outlet With Holder**



- 1/2" outlet male; 1/2" inlet female NPT

Suggested Retail Price							
APC	PN	STN	MB	IB	TCB	ULB	
1630	143	170	184	192	202	202	202





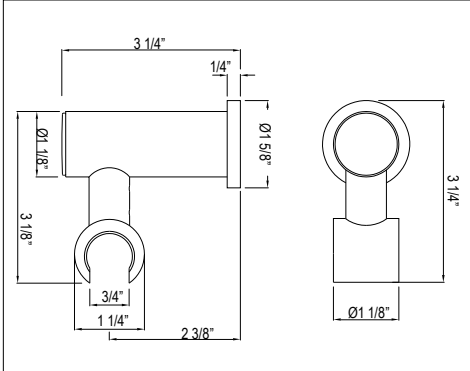
**BE364 Handshower Outlet With Handshower Holder**



**Suggested Retail Price**

	APC	PN	STN	RG
BE364- _ _	224	269	280	337

- Complements Bellia™ collection and other transitional designs



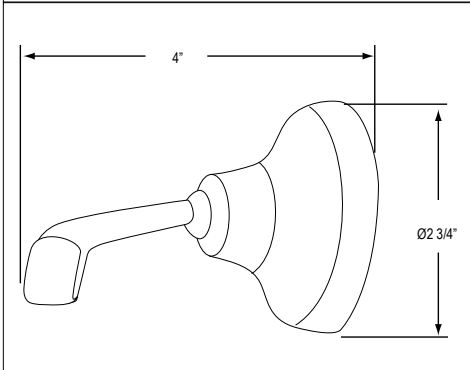
**1660 Wall Mount Handshower Holder**



**Suggested Retail Price**

	APC	PN	STN	MB	IB	SUB	ULB
1660 _ _	130	156	169	187	187	185	185

- Adjustable



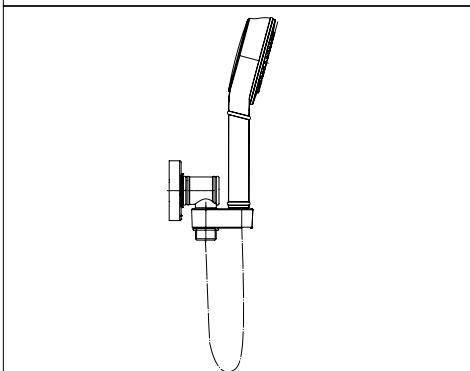
**C494 Wall Mount Handshower Holder**



**Suggested Retail Price**

	APC	PN	STN	TCB
C494 _ _	96	125	166	166

- Adjustable



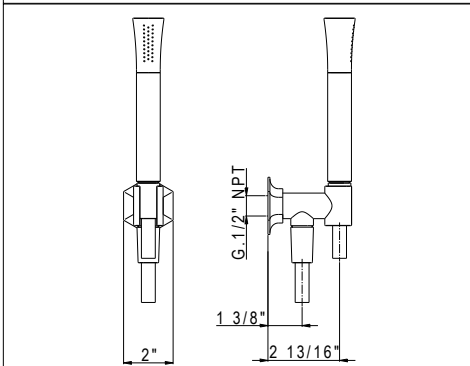
**C50000/1 Handshower Set With Swiveling Handshower Holder and Single Function Handshower**



**Suggested Retail Price**

	APC	PN	STN	TCB
C50000/1 _ _	342	439	542	625

- B0315 single-function handshower
- 1.8 GPM at 60 PSI (CEC compliant)



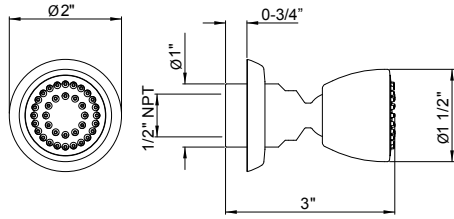
**BE303 Handshower Set With Handshower Holder and Single Function Handshower**



**Suggested Retail Price**

	APC	PN	STN	RG
BE303- _ _	457	548	578	677

- Complements Bellia™ collection and other transitional designs
- DS014200 single-function handshower
- 1.8 GPM at 60 PSI (CEC compliant)



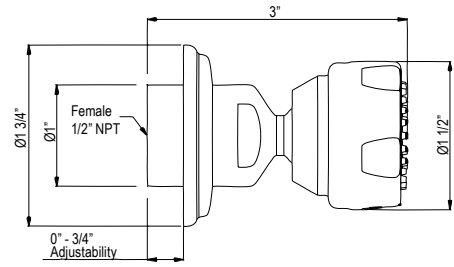
**U.5870** Single Function Body Spray

Suggested Retail Price

	APC	PN	STN
U.5870	322	386	402



- Complements Holborn™ collection and other transitional designs
- 1 function
- 1.0 GPM at 45 PSI (CEC compliant)



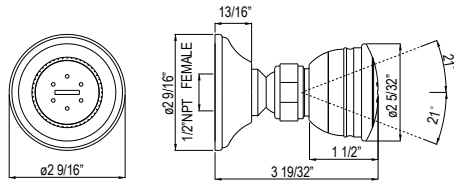
**U.5570** Single Function Body Spray

Suggested Retail Price

	APC	PN	STN	ULB
U.5570	329	395	411	467



- 1 function
- 1.0 GPM at 45 PSI (CEC compliant)



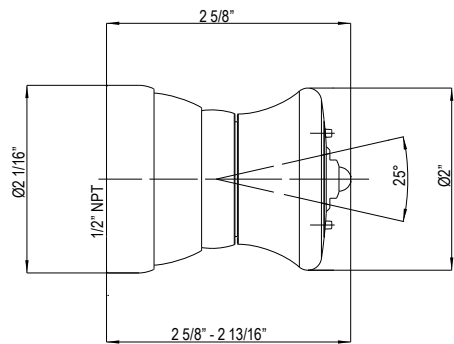
**1095/8** 2-Function Body Spray

Suggested Retail Price

	APC	PN	STN	MB	IB	TCB	ULB
1095/8	366	439	461	476	520	520	520



- 2 functions
- 1.0 GPM at 45 PSI (CEC compliant)
- Modern style escutcheon available, order ROGSCO14



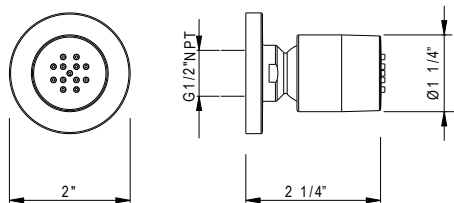
**I00124** 2-Function Body Spray

Suggested Retail Price

	APC	PN	STN	MB	TCB
I00124	116	143	195	195	195



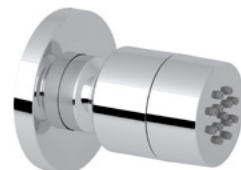
- 2 functions
- 1.0 GPM at 45 PSI (CEC compliant)



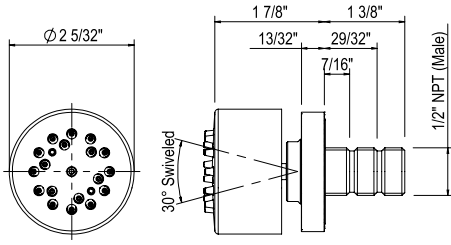
**DS015090** Single Function Body Spray

Suggested Retail Price

	APC	PN	STN	RG
DS015090	145	210	254	369



- Complements Bellia™ collection and other transitional designs
- 1 function
- .75 GPM at 45 PSI (CEC compliant)



**0126BS1 2-Function Body Spray**

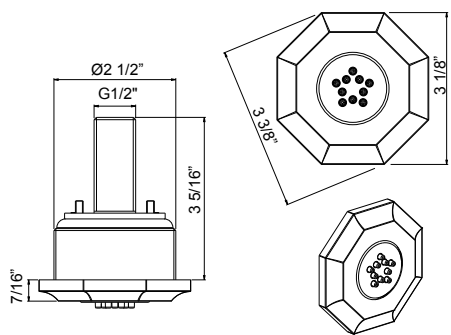


NEW

- Complements Tenerife™ collection and other transitional designs
- 2-function
- 1.0 GPM at 45 PSI (CEC compliant)

**Suggested Retail Price**

	APC	PN	STN	MB	AG
0126BS1	298	358	373	388	424



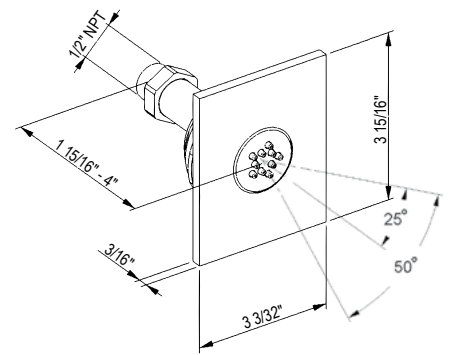
**24995 Single Function Body Spray**



- 1 function
- 1.0 GPM at 45 PSI (CEC compliant)
- Must be installed at framing stage. Do not set finish wall until rough assembly is installed.

**Suggested Retail Price**

	APC	PN	STN
24995	381	457	495



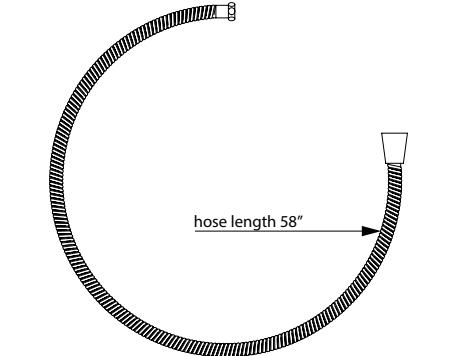
**24960 Single Function Body Spray**



- 1 function
- 1.0 GPM at 45 PSI (CEC compliant)
- Must be installed at framing stage. Do not set finish wall until rough assembly is installed.

**Suggested Retail Price**

	APC	PN	STN
24960	452	542	586



**9.28385 58" Flexible Shower Hose**

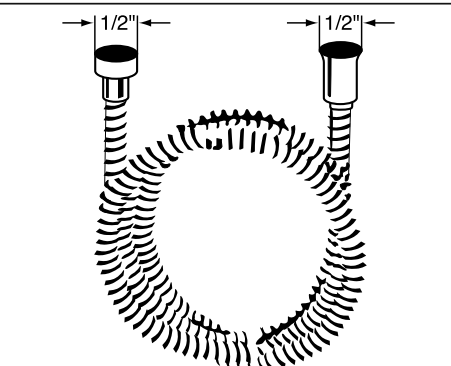


PERRIN & ROWE  
PERFORMANCE PRODUCTS

- For use with handshower (sold separately)

**Suggested Retail Price**

	APC	PN	STN	ULB
9.28385	118	141	147	173



**ZA109070 59" Shower Hose**

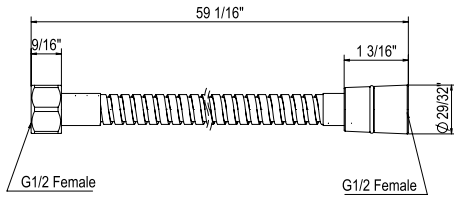


- Complements Bellia™ collection and other transitional designs

**Suggested Retail Price**

	APC	PN	STN	RG
ZA109070	71	85	98	300

**5927SH 59" Shower Hose**



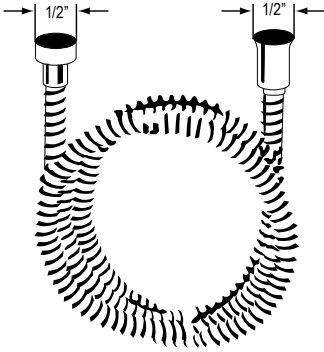
**Suggested Retail Price**

	APC	PN	STN	MB	AG
5927SH __	88	108	118	148	166

- For use with handshower (sold separately)

NEW

**16295 59" Metal Shower Hose**

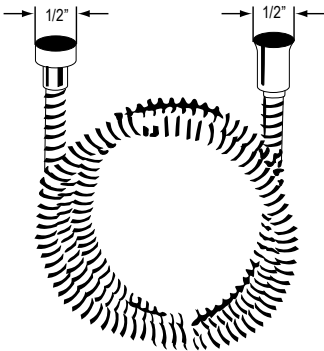


**Suggested Retail Price**

	APC	PN	STN	MB	IB	RG	SUB	TCB	ULB
16295 __	53	64	161	184	187	456	161	161	161

- For use with handshower (sold separately)

**A40/1 59" Metal Shower Hose**

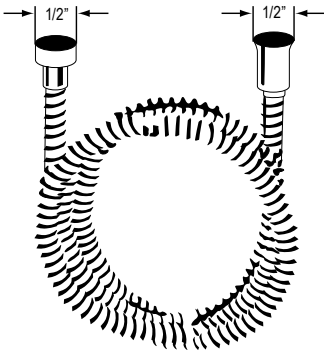


**Suggested Retail Price**

	APC	PN	STN	SG	TCB
A40/1 __	97	117	122	139	139

- For use with handshower (sold separately)

**A00045/175 69" Metal Shower Hose**

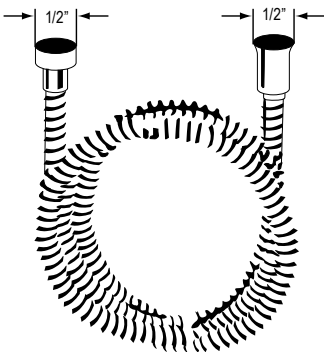


**Suggested Retail Price**

	APC	PN	STN	SG	TCB
A00045/175 __	108	129	134	153	153

- For use with handshower (sold separately)

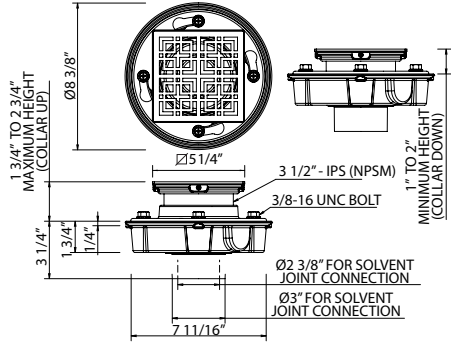
**16295/79 79" Metal Shower Hose**



**Suggested Retail Price**

	APC	PN	STN	IB	TCB
16295/79 __	81	97	259	333	259

- For use with handshower (sold separately)

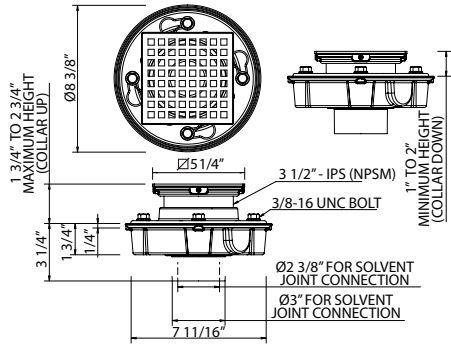


**SDPVC2/3-3142 PVC 2" X 3" Drain Kit With 3142 Weave Decorative Cover**

	Suggested Retail Price					
	APC	PN	STN	MB	IB	TCB
SDPVC2/3-3142	381	457	476	495	540	540



- Accommodates 41 GPM flow rate

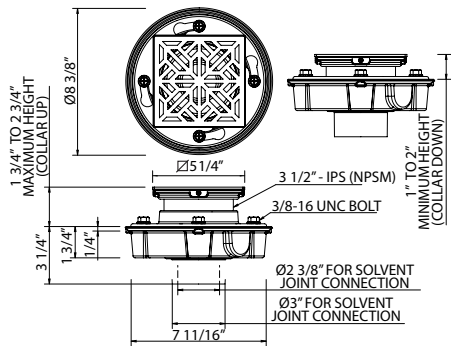


**SDPVC2/3-3143 PVC 2" X 3" Drain Kit With 3143 Matrix Decorative Cover**

	Suggested Retail Price					
	APC	PN	STN	MB	IB	TCB
SDPVC2/3-3143	348	417	434	452	496	493



- Accommodates 41 GPM flow rate

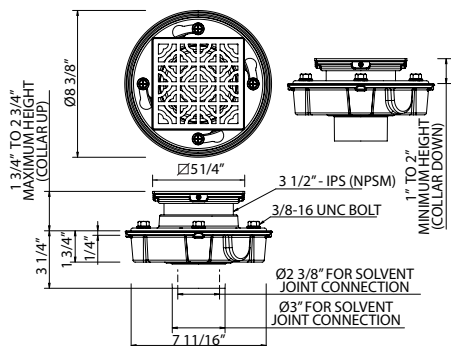


**SDPVC2/3-3144 PVC 2" X 3" Drain Kit With 3144 Mosaic Decorative Cover**

	Suggested Retail Price					
	APC	PN	STN	MB	IB	TCB
SDPVC2/3-3144	381	457	476	495	540	540



- Accommodates 41 GPM flow rate

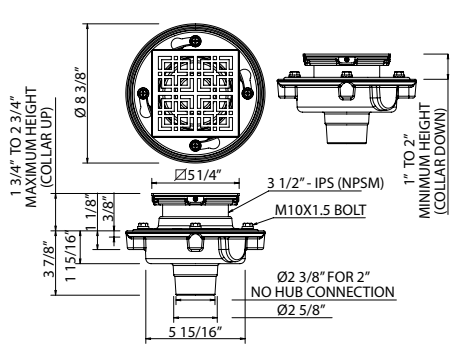


**SDPVC2/3-3146 PVC 2" X 3" Drain Kit With 3146 Petal Decorative Cover**

	Suggested Retail Price					
	APC	PN	STN	MB	IB	TCB
SDPVC2/3-3146	381	457	476	495	540	540



- Accommodates 41 GPM flow rate

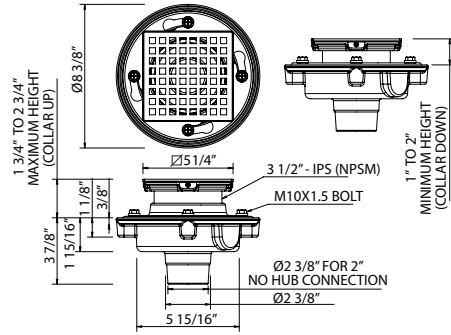


**SDCI2-3142 Cast Iron 2" No Hub Drain Kit With 3142 Weave Decorative Cover**

	Suggested Retail Price		
	APC	PN	STN
SDCI2-3142	525	630	656



- Accommodates 41 GPM flow rate

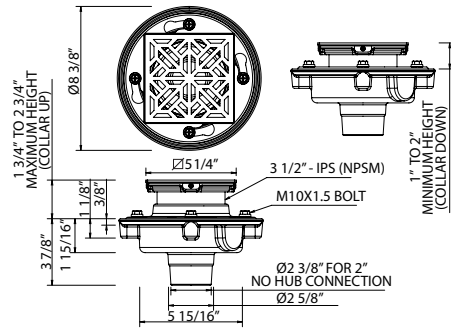


**SDCI2-3143** Cast Iron 2" No Hub Drain Kit With 3143 Matrix Decorative Cover



- Accommodates 41 GPM flow rate

Suggested Retail Price			
	APC	PN	STN
SDCI2-3143	492	590	615

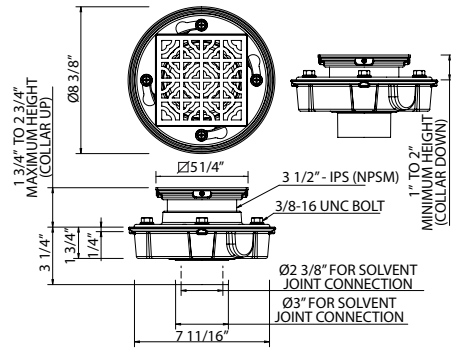


**SDCI2-3144** Cast Iron 2" No Hub Drain Kit With 3144 Mosaic Decorative Cover



- Accommodates 41 GPM flow rate

Suggested Retail Price			
	APC	PN	STN
SDCI2-3144	525	630	656

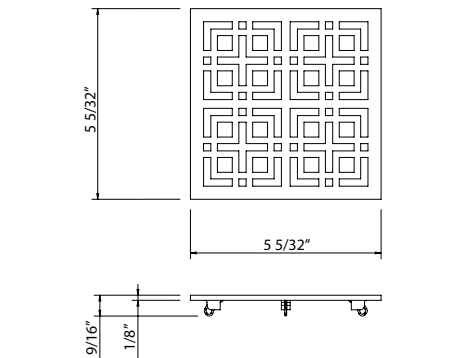


**SDCI2-3146** Cast Iron 2" No Hub Drain Kit With 3146 Petal Decorative Cover

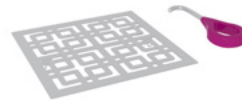


- Accommodates 41 GPM flow rate

Suggested Retail Price			
	APC	PN	STN
SDCI2-3146	525	630	656

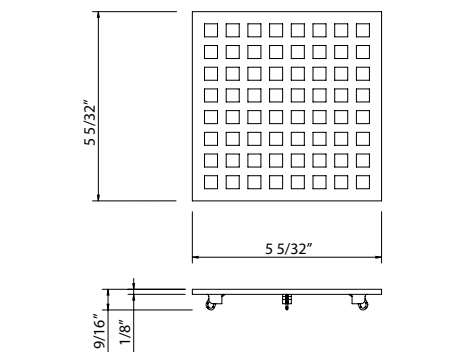


**DC3142** Weave Decorative Drain Cover

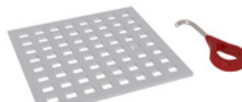


- To complete set, select from one of the below:
  - ROHL Drain Body Kits, including throat assembly: SDCI2, SDABS2/3, SDPVC2/3
  - Customer supplied drain body\* and ROHL Drain Throat Assembly: DT105Cl3, DT123ABS3, DT122ABS2
- \* Refer to third party drain body specification sheet for appropriate size

Suggested Retail Price						
	APC	PN	STN	MB	IB	TCB
DC3142	236	284	296	307	390	374



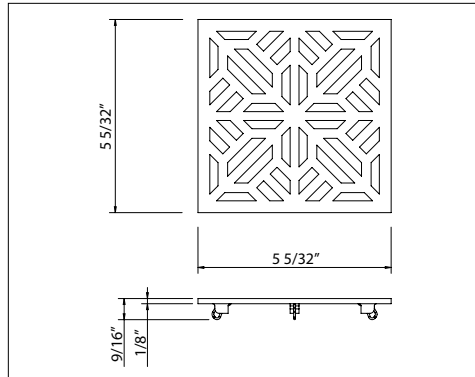
**DC3143** Matrix Decorative Drain Cover



- To complete set, select from one of the below:
  - ROHL Drain Body Kits, including throat assembly: SDCI2, SDABS2/3, SDPVC2/3
  - Customer supplied drain body\* and ROHL Drain Throat Assembly: DT105Cl3, DT123ABS3, DT122ABS2
- \* Refer to third party drain body specification sheet for appropriate size

Suggested Retail Price							
	APC	PN	STN	MB	AG	IB	TCB
DC3143	203	247	276	276	333	352	337



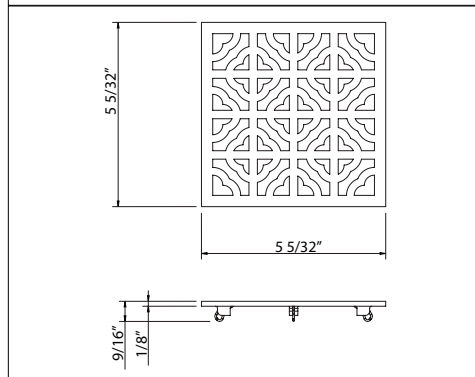


**DC3144 Mosaic Decorative Drain Cover**

Suggested Retail Price							
	APC	PN	STN	MB	IB	TCB	ULB
DC3144	236	313	368	382	549	527	614

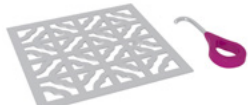


- To complete set, select from one of the below:
  - ROHL Drain Body Kits, including throat assembly: SDCI2, SDABS2/3, SDPVC2/3
  - Customer supplied drain body\* and ROHL Drain Throat Assembly: DT105CI3, DT123ABS3, DT122ABS2
- \* Refer to third party drain body specification sheet for appropriate size

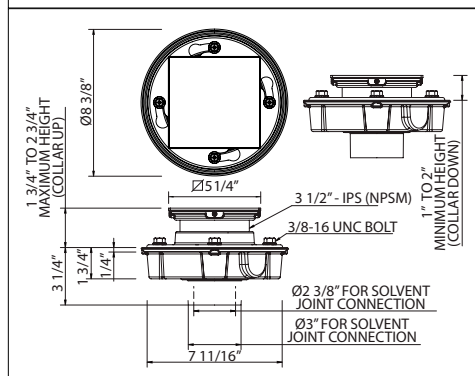


**DC3146 Petal Decorative Drain Cover**

Suggested Retail Price							
	APC	PN	STN	MB	IB	TCB	ULB
DC3146	236	313	368	382	549	527	



- To complete set, select from one of the below:
  - ROHL Drain Body Kits, including throat assembly: SDCI2, SDABS2/3, SDPVC2/3
  - Customer supplied drain body\* and ROHL Drain Throat Assembly: DT105CI3, DT123ABS3, DT122ABS2
- \* Refer to third party drain body specification sheet for appropriate size

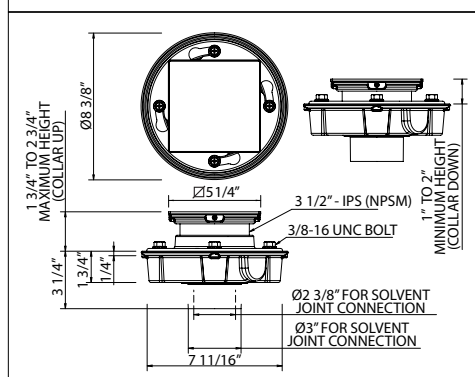


**SDPVC2/3 PVC 2" X 3" Drain Body Kit**

Suggested Retail Price	
	\$
SDPVC2/3	145



- Accommodates 41 GPM flow rate
- ROHL Decorative Drain Cover required to complete set: DC3142, DC3143, DC3144, DC3146

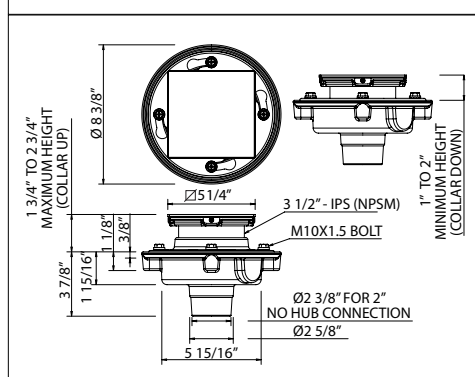


**SDABS2/3 ABS 2" X 3" Drain Body Kit**

Suggested Retail Price	
	\$
SDABS2/3	160



- Accommodates 41 GPM flow rate
- ROHL Decorative Drain Cover required to complete set: DC3142, DC3143, DC3144, DC3146

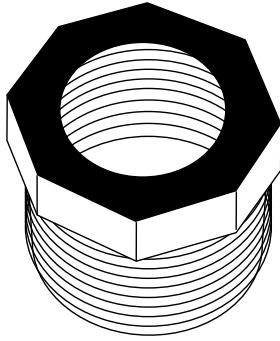


**SDCI2 Cast Iron 2" No Hub Drain Body Kit**

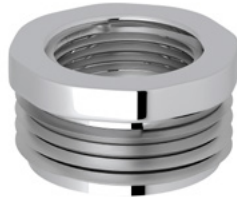
Suggested Retail Price	
	\$
SDCI2	289



- Accommodates 41 GPM flow rate
- ROHL Decorative Drain Cover required to complete set: DC3142, DC3143, DC3144, DC3146



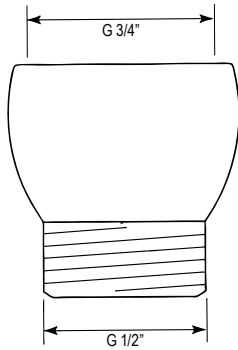
**U.5379** 3/4" M X 1/2" F Adaptor



PERRIN & ROWE

Suggested Retail Price				
	APC	PN	STN	ULB
U.5379	42	50	52	59

- Allows 3/4" inlet showerheads to be installed on existing 1/2" shower arms



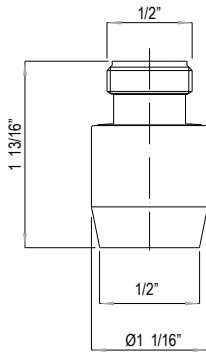
**U.5399** 3/4" F X 1/2" M Adaptor



PERRIN & ROWE

Suggested Retail Price				
	APC	PN	STN	ULB
U.5399	62	75	78	88

- To connect hose to outlet of exposed tub filler or exposed thermostatic valve
- To reduce 3/4" outlet shower arm to 1/2"



**V00275** Finished Vacuum Breaker



Suggested Retail Price				
	APC	PN	STN	TCB
V00275	47	56	61	66

- 1/2" male x 1/2" female connectors









## HOW TO CARE FOR AND MAINTAIN FINISHES

The finishing touch of every faucet is its exquisite surface. Each finish conveys the experience of luxury through a distinctively soft, warm, genuine feel in comparison to other products made with synthetic coatings. Do not use harsh chemicals or household cleaners with harsh chemicals or abrasives.

**Maintaining Your Finish.** No matter which finish you select, here are a few simple steps to keep your kitchen and bath fixtures looking beautiful for years:



Polished  
Chrome



Polished  
Nickel



Antique  
Gold



Rose  
Gold

### POLISHED CHROME, POLISHED NICKEL, ANTIQUE GOLD, STAINLESS COPPER and ROSE GOLD (Limited lifetime warranty)

**Cleaning:** Pat dry after use to avoid hard water spots. Clean using liquid soap and water or a 50/50 solution of water and white vinegar. Do not soak the fixture in the vinegar solution or allow the vinegar solution to soak on the finish.

**Maintaining:** Polish by applying Simichrome Polishing paste and then buff out with a clean soft cloth. Protect by applying Flitz Polish.



Satin  
Nickel

### SATIN NICKEL (Limited lifetime warranty)

**Cleaning:** Pat dry after use to avoid hard water spots. Clean using liquid soap and water or a 50/50 solution of water and white vinegar. Do not soak the fixture in the vinegar solution or allow the vinegar solution to soak on the finish.

**Maintaining:** Polish by applying Gagnon's SX. Remove black or white spots, mineral deposits and tarnish marks by lightly brushing the finish using a green Scotch Brite™ pad and water. Protect using Flitz Wax. Brush in the same direction as in faucet.



Italian  
Brass



French  
Brass

### ITALIAN BRASS and FRENCH BRASS

(5-year limited warranty on Italian Brass, no warranty on French Brass)

**Cleaning:** Pat dry after use to avoid hard water spots. Clean using liquid soap and water or a 50/50 solution of water and white vinegar. Do not soak the fixture in the vinegar solution or allow the vinegar solution to soak on the finish. Do not rub or buff.

**Maintaining:** Protect using Flitz Wax. Apply by patting on and patting off. Do not rub or buff.



Matte  
Black



Gun  
Metal

### MATTE BLACK and GUN METAL (5-year limited warranty)

These are the only powder coated finishes in the ROHL line.

**Cleaning:** Pat dry after use to avoid hard water spots. Clean using liquid soap and water or a 50/50 solution of water and white vinegar. Do not soak the fixture in the vinegar solution or allow the vinegar solution to soak on the finish. Do not deep clean or use abrasives

**Maintaining:** Protect using Flitz Wax. Apply by patting on and patting off. Do not rub or buff.



Unlacquered  
Brass



Satin  
Unlacquered  
Brass

### UNLACQUERED BRASS and SATIN UNLACQUERED BRASS (No warranty)

This is a living finish; it will tarnish and patina over time

**Cleaning:** Pat dry after use to avoid hard water spots. Clean using liquid soap and water or a 50/50 solution of water and white vinegar. Do not soak the fixture in the vinegar solution or allow the vinegar solution to soak on the finish

**Maintaining:** Protect using Flitz Wax. Apply by patting on and patting off.



Stainless  
Steel



Brushed  
Stainless  
Steel

### STAINLESS STEEL and BRUSHED STAINLESS STEEL (Limited lifetime warranty)

**Cleaning:** Pat dry after use to avoid hard water spots. Clean using liquid soap and water or a 50/50 solution of water and white vinegar. Do not soak the fixture in the vinegar solution or allow the vinegar solution to soak on the finish

**Maintaining:** For deep cleaning, apply Astonish and buff out with a clean soft cloth. Protect using Flitz Wax..



Satin  
Gold



Tuscan  
Brass

### SATIN GOLD and TUSCAN BRASS

(5-year limited warranty on Satin Gold. No warranty on Tuscan Brass)

**Cleaning:** Pat dry after use to avoid hard water spots. Clean using liquid soap and water or a 50/50 solution of water and white vinegar. Do not soak the fixture in the vinegar solution or allow the vinegar solution to soak on the finish

**Maintaining:** Protect using Flitz Wax. Apply by patting on and patting off. Do not rub or buff.

### OUTSIDE USE:

ROHL products may be used outside. However, we do not offer a warranty. Use these tips for a successful installation. Polished Chrome is the most durable of ROHL finishes and is the best finish for outside installations. Pat dry after use to avoid hard water spots. If minerals or salt are accumulating on the fixture, clean by applying a 50/50 solution of water and white vinegar, then pat dry. Do not soak the fixture in the vinegar solution or allow the vinegar solution to soak on the finish. Spray weekly with fresh water, wipe dry and apply Flitz Wax to avoid hard water spotting. If in freezing temperatures, winterize fixtures by removing cartridges, drain all water or store fixtures indoors.



## The Beauty of a True Living Finish

The finishing touch of every ROHL® faucet is its exquisite surface. Each finish conveys unique character and unparalleled quality through a distinctively soft, warm, genuine feel in comparison to other products made with synthetic coatings.

### **Tuscan Brass, French Brass, Unlacquered Brass and Satin Unlacquered Brass**

The four finishes listed above are “living finishes.” This means the character of the finish will develop and change over time depending on how the customer uses and maintains the faucet. Therefore, our standard limited lifetime warranty does not apply to any living finishes. No express warranty is offered on these four living finishes. For warranty information on all ROHL® finishes, see the Collection Finish Guide at the beginning of this book.

### **Maintaining Living Finishes**

To clean ROHL® living finishes, use mild soap and water or a 50/50 vinegar/water solution. Do not scrub or wipe the surface. Any use of cleansers that contain either abrasive or corrosive elements, such as ammonia, will negatively affect the finish. Never soak any faucet in vinegar and water. This action will damage the finish.

Although wax is applied at the factory to protect the finish as created, this protection will wear away over time and must be maintained if you wish to preserve the original dark tone. Typically, those parts of the faucet that are handled on a daily basis, such as handles, handspray, or a swivel spout, will begin to lighten or change. Do not rub or buff.

*Each finish conveys unique character and unparalleled quality through a distinctively soft, warm, genuine feel.*

# TERMS AND CONDITIONS OF SALE ON ALL PRODUCTS

## PRICES:

Prices and terms are subject to change without notice. Customer is responsible for payment of all applicable taxes.

## FREIGHT:

Orders \$3,000 or greater (not including tubs, net sales) = Free Freight Allowed (FFA)  
 Orders \$1 up to \$2,999 (not including tubs, net sales) with any Kitchen Sink(s) = \$155 Flat Fee  
 Orders \$1 up to \$2,999 (not including tubs, net sales) with Brass and Lavatory Sink(s) = \$45 Flat Fee  
 Orders with a bathtub = \$200 additional flat fee per tub  
 Components and Spare Parts only (No complete faucets or fixtures) = Free Freight Allowed (FFA)  
 Shipper reserves the right to ship merchandise by the method of our choosing.

## ALL NON-INDUSTRY RELATED SHIP TO ADDRESSES, INCLUDING RESIDENTIAL DROP SHIP ORDERS:

Any order that is drop shipped to a consumer's home will be assessed a \$25.00 charge above all standard shipping and handling fees. \$100 additional for each bathtub. Drop Ship Fee Buy Line must be on the Original Purchase Order for the order to be processed, phone number for delivery set up required.

## PAYMENT TERMS:

All orders are due in 30 days from date of invoice unless agreed upon in writing by an officer of ROHL LLC.

## RETURNS:

Products may not be returned for credit or replacement without prior inspection and written authorization from ROHL LLC. There will be a charge of 25%\* to cover handling and restocking for all authorized returns. Only merchandise currently appearing in our price list, which is in resalable condition, will be considered by ROHL LLC for return or replacement. Customer dissatisfaction is not a reason for return.

English Bronze, Old Iron, Tuscan Brass, Italian Brass, English Gold, Unlacquered Brass, French Brass, Satin Gold, Parchment and Pergame have acceptable variations that are normal and enhance the custom nature of each finish. Variation is not a reason for return.

## LABOR:

No labor charges of any kind will be allowed.

## CLAIMS:

All claims of lost, damaged or incorrectly shipped materials must be made to ROHL LLC within 10 days after receipt of goods. Any claims outside this time may be rejected by ROHL LLC. Service and replacement parts may be subject to a \$25 processing fee.

## SHIPPING DAMAGE OR LOSS:

Delivery to the carrier constitutes delivery to customer. Any claim for loss or damage in transit should be made promptly by the customer to the carrier. Our responsibility ceases when the goods are delivered in good condition to the carrier.

## PRODUCT CHANGES:

We reserve the right to discontinue, alter, modify, or redesign products without liability for the obsolescence of customers' inventories.

## SPECIAL ORDERS:

All special order products are non-returnable and non-cancelable once the customer order is received by ROHL LLC. These orders may have a longer lead time than standard ROHL LLC products.

## GENERAL:

The possession of this price list by anyone will not be accepted by ROHL LLC as an obligation or offer to sell any goods listed herein. All prices herein quoted supersede all prior price lists and bulletins. Existing trade terms continue in effect.

No order, contract or agreement will become an obligation until accepted in writing by ROHL LLC.

ROHL LLC does not have field service technicians. We are a sales and marketing company only. Sales Representatives do not perform in-home service.

Product that is handmade and is within tolerance of published dimensions will not be considered for return.

Shaws sinks continue to be handmade since the 1897 original design. Each sink is designed with a slight pitch to the drain, so standing water is normal. Standing water is not a reason for return.

\* For details, please refer to the House of Rohl Freight Program

These Terms and Conditions shall be deemed to be a part of all such acceptance by ROHL LLC and shall supersede any conflicting provisions of customer's purchase order. These Terms and Conditions, any sales hereunder, and any claim, dispute, or controversy between the parties arising from or relating to these Terms and Conditions, their interpretation, or the breach, termination, or validity thereof, will be governed by and construed in accordance within the laws of the United States, without regard to conflict-of-laws rule. The parties hereby agree that the United Nations Convention on Contracts for the International Sale of Goods will not apply to these Terms and Conditions and to the purchase and sale of products hereunder and any statute which would otherwise apply which implements such convention is expressly excluded.

Other than any express limited warranty granted by ROHL LLC with respect to a product, ROHL LLC disclaims all warranties and conditions, expressed or implied, statutory or otherwise, with respect to the products, including, without limitation, any implied warranty of quality, merchantability or fitness for a particular purpose, as well as warranties arising from course of dealing and usage of trade, and ROHL LLC does not represent or warrant that any product will meet the customer's requirements.

Customer may not use the ROHL LLC name or any ROHL LLC trademark, trade name, service mark, logo, or copyrighted work for any purpose. The sale of products by ROHL LLC does not constitute a license, implied or otherwise, for the use of any patents or know-how of others, nor does it constitute a license, implied or otherwise, on patents or know-how of ROHL LLC.

ROHL LLC WILL NOT BE LIABLE FOR ANY LOSS, DAMAGE OR INJURY RESULTING FROM DELAY IN DELIVERY OF THE PRODUCTS OR FOR ANY FAILURE TO PERFORM DUE TO CIRCUMSTANCES BEYOND OUR CONTROL OR THE CONTROL OF OUR SUPPLIERS, INCLUDING WITHOUT LIMITATION FAILURE OR DELAY IN TRANSPORTATION, ACTS OF ANY GOVERNMENT OR ANY AGENCY OR SUBDIVISION THEREOF, JUDICIAL ACTION, LABOUR DISPUTES, FIRE, ACCIDENT, ACTS OF NATURE, SHORTAGE OF LABOUR, FUEL OR RAW MATERIAL, OR MACHINERY OR TECHNICAL FAILURE. ROHL LLC'S MAXIMUM LIABILITY, IF ANY, FOR ALL DAMAGES, INCLUDING WITHOUT LIMITATION CONTRACT DAMAGES AND DAMAGES FOR INJURIES TO PERSONS OR PROPERTY, WHETHER ARISING FROM OUR BREACH OF THESE TERMS, BREACH OF WARRANTY, NEGLIGENCE, STRICT LIABILITY OR OTHER TORT WITH RESPECT TO THE PRODUCTS, IS LIMITED TO AN AMOUNT NOT TO EXCEED THE THEN-CURRENT WHOLESALE PRICE OF THE PRODUCTS. IN NO EVENT WILL ROHL LLC BE LIABLE TO CUSTOMER FOR ANY INCIDENTAL, CONSEQUENTIAL OR SPECIAL DAMAGES, INCLUDING WITHOUT LIMITATION LOST REVENUES AND PROFITS, EVEN IF WE HAVE BEEN ADVISED OF THE POSSIBILITY OF SUCH DAMAGES.

Effective: 3/2021

# ROHL LIMITED WARRANTY

Most products or parts carry "Limited Warranties" against manufacturing defects as defined below.

<b>Allia Fireclay Kitchen Sinks</b>	Limited Lifetime Warranty	<b>Hot Water Dispensers</b>	5-year Limited Warranty on faucet, 3-year Limited Warranty on tank
<b>Stainless Steel/ Stainless Copper Sinks</b>	Limited Lifetime Warranty	<b>Kitchen &amp; Bath</b>	Limited Lifetime Warranty
<b>Soap Dispensers</b>	Limited Lifetime Warranty		<b>Sanitary Ware/ Bath Fixture Accessories</b>
<b>Air Gaps, Coverplates, Sink Hole Covers, Air Switches</b>	2-year Limited Warranty	<b>Shower</b>	2-year Limited Warranty
<b>Kitchen Wire Sink Grids</b>	1-year Limited Warranty	<b>Decorative Shower Drains</b>	1-year Limited Warranty, No warranty on finish
<b>Kitchen Drains, Basket Strainers</b>	2-year Limited Warranty		

**ROHL OFFERS A FIVE-YEAR LIMITED WARRANTY ON THE FOLLOWING FINISHES ONLY:  
ITALIAN BRASS, SATIN GOLD, MATTE BLACK, AND GUN METAL.**

**ROHL DOES NOT OFFER AN EXPRESS WARRANTY ON THE FOLLOWING FINISHES FOR ANY OF ITS PRODUCTS:  
TUSCAN BRASS, UNLACQUERED BRASS, SATIN UNLACQUERED BRASS, FRENCH BRASS OR SPECIAL ORDER FINISHES.**

**ROHL's Promise** — A "Limited Warranty" means ROHL LLC will provide free of charge, at its option, replacement part(s) or product (or a comparable alternative product) to replace those which have proven defective in materials or workmanship within the warranty period on that product or part as stated above.

ROHL LLC will not assume liability for labor expended, freight cost or damages accruing from the use of the material purchased from us. If material is defective, the limit of damage is the price of the defective material. Proof of purchase (original sales receipt) from the original consumer purchaser must be made available to ROHL LLC for all warranty claims. The warranty is not transferable and is extended solely to the original purchaser of the product, so long as the product remains in its original installation.

**Warranty Exclusions and Disclaimers** — This warranty is for normal domestic use only and excludes defect or injury caused by or resulting from misuse, abuse, neglect, accidental damage or improper installation.

IN NO EVENT WILL ROHL BE LIABLE FOR ANY SPECIAL, INCIDENTAL, OR CONSEQUENTIAL DAMAGES BASED ON BREACH OF WARRANTY, BREACH OF CONTRACT, NEGLIGENCE, STRICT TORT, OR ANY OTHER LEGAL THEORY. DAMAGES THAT ROHL WILL NOT BE RESPONSIBLE FOR INCLUDE, BUT ARE NOT LIMITED TO: LOSS OF PROFITS; LOSS OF SAVINGS OR REVENUE; LOSS OF USE OF THE PRODUCT OR ANY ASSOCIATED EQUIPMENT; COST OF CAPITAL; COST OF ANY SUBSTITUTE EQUIPMENT, FACILITIES, OR SERVICES; DOWNTIME; THE CLAIMS OF THIRD PARTIES, INCLUDING CUSTOMERS; AND DAMAGES OR INJURY TO PROPERTY.

This warranty gives you specific legal rights and you may also have other rights that vary from state to state.

In addition, the Limited Lifetime Warranty and term Limited Warranties do not apply to the replacement of components where damage is caused by normal wear and tear, including without limitation excess mineral deposits from water. As a special note, avoid all cleaning products that contain abrasives, ammonia, bleach and alcohol. They may damage the finish. Also, use only non-silicone caulking adhesive or plumbers putty for installation. Do not use lead based acidic curing adhesive or mastic when installing product. Silicone caulking may also degrade brass material. The use of Blue RTV silicone during installation will void the product warranty. Due to the harsh environment of sun, wind, rain and snow, installing ROHL products for outdoor use voids the warranty.

**General Disclaimer** — All warranties other than the express Limited Warranty herein contained, including but not limited to any implied warranty of merchantability or fitness for a particular purpose, are limited in duration to the applicable warranty period set forth above, or the applicable limitations period set by your state, whichever is shorter. Some states do not allow limitations on how long an implied warranty lasts and some states do not allow the exclusion or limitation of incidental or consequential damages, so the above limitations or exclusions may not apply to you.

**No Other Warranties** — Unless modified in a writing signed by both parties, this agreement is understood to be the complete and exclusive agreement between the parties, superseding all oral or written prior agreements and all other communications between the parties relating to the subject matter of this agreement, including statements made by salespersons. No employee of ROHL or any other party is authorized to make any warranty in addition to those made in this agreement. The buyer is warned, therefore, to check this agreement carefully to see that it correctly reflects those terms that are important to the buyer.

**Foreign Outlets Online** — One of the benefits of the Internet is that it has granted consumers the opportunity to learn about and purchase products from previously unknown foreign companies. Unfortunately, some foreign distributors who sell the foreign versions of ROHL's products have promoted these products for shipment to the United States. Though prices may look appealing, these products are not designed to be installed in American homes and significant problems may result. ROHL uses domestic distributors to ensure that its products meet American plumbing installation standards and have American plumbing code approvals. ROHL will not service, warrant, nor provide customer support for product purchased from foreign distributors.

**Commercial Limited Warranty** — ROHL warrants its products installed in a commercial application to be free from manufacturing defects for a period of one (1) year from the date of acquisition by original owner. IN COMMERCIAL INSTALLATIONS, THE ONE-YEAR LIMITED WARRANTY IS IN LIEU OF ALL OTHER WARRANTIES, EXPRESS OR IMPLIED, INCLUDING BUT NOT LIMITED TO THE IMPLIED WARRANTIES OF MERCHANTABILITY AND FITNESS FOR A PARTICULAR PURPOSE.

Effective: 3/2021



# HOUSE OF ROHL

---

## THE STORY CRAFT TELLS

We believe distinctive stories are what make life exceptional. At the House of Rohl, we pursue the discovery of time-honored craft that opens the door to stories unlike any other. Stories of place and provenance. Stories of dedication and passion. Stories of artistry and heritage. And the closer you look, the more you'll see, the details of your own story of a life well crafted.

EFFECTIVE MARCH 1, 2021

This price book supersedes all prices found in previous price books and is subject to change without notice.

Sold exclusively through fine decorative plumbing & hardware showrooms nationwide.

House of Rohl | Irvine, CA 92618  
Phone: 800.777.9762 | [houseofrohl.com](http://houseofrohl.com)

LIT-0001

