



2021 PRICE BOOK





HANDCRAFTED FOR LIFE

Since our founding in England in 1897, we've put our time, passion, and pride into every fireclay sink we create. Each one is made by hand by a single master craftsmen, taught by the master craftsmen who came before. This human touch is what sets our handcraft apart. The result is timeless and original, as individual as the artisan who signed it. Double-glazed and fired at higher temperatures than other fireclay sinks, Shaws are made to endure beautifully, day after day, decade after decade. There's no better proof of performance than a sink designed to last a lifetime and ours are still in use in 100-year-old English homes. Shaws are the epitome of understated luxury, forever relevant and versatile in their simplicity. Our classic collections and contemporary interpretations are welcome in traditional to modern décor, because timeless beauty fits in everywhere. This is the sink made for those who want to own an original, who believe making a statement is one they make for themselves.



@HouseofRohl



@houseofrohl



@HouseofRohl



@House of Rohl



@House of Rohl



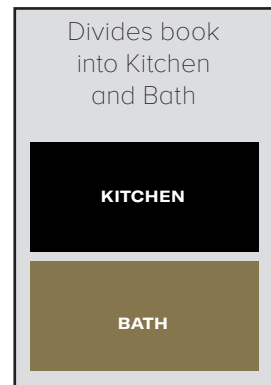
QUICK REFERENCE INDEX AND TAB GUIDE

BANK 1

	INDEX	Pg. A2
	2021 UPDATES	Pg. B1
KITCHEN	EGERTON	Pg. 1
	LANCASTER	Pg. 5
	SHAKER	Pg. 13
	WATERSIDE	Pg. 21
	LANCASTER	Pg. 25
BATH	SHAKER	Pg. 29
	WATERSIDE	Pg. 33
	CARE & MAINTENANCE	Pg. 39
	TERMS	Pg. 40

Collections are listed alphabetically.

Collection Name



A1

COLLECTION

COLLECTION

COLLECTION

COLLECTION

COLLECTION

COLLECTION

QUICK REFERENCE PRODUCT LOCATOR

INDEX

2021 UPDATES

EGERTON

LANCASTER

SHAKER

WATERSIDE

LANCASTER

SHAKER

WATERSIDE

CARE & MAINTENANCE

TERMS

PART #	PAGE	PART #	PAGE	PART #	PAGE
733	3, 11, 19, 23	MS3918	17	WSG1515	7
734	3, 10, 19, 22	QN25UM	4, 12, 20, 24	WSG1818	15
735	3, 11, 19, 23	RB1815	26	WSG2418	8
736	3, 10, 19, 22	RC1515	7	WSG3017	2
738	3, 10, 19, 22	RC1818	15	WSG3018	8
744	4, 11, 20, 23	RC2418	7	WSG3021	22
745	4, 11, 20, 23	RC3017	2	WSG3318	8
5445	27, 30, 34	RC3018	8	WSG3618	9
5447	27, 31, 34	RC3021	22	WSG3719	9
6442	27, 31, 35	RC3318	8	WSG4019LG	2, 10
7444	27, 31, 35	RC3618	9	WSG4019SM	2, 10
8446	28, 31, 35	RC3719	9	WSG6737	7
9664	26	RC4018	2	WSGMS2418	15
0127DOF	26, 30, 34	RC4019	9	WSGMS3018	16
CC2310FWO	27, 30, 34	SB1715	26	WSGMS3318	16
CNZREMOTE	28, 31, 35	SB1800	26	WSGMS3320	16
ISE10082	4, 11, 20, 23	SB1814	30	WSGMS3518	17
MS2418	15	SB2015	30	WSGMS3618	17
MS3018	15	SB2321	34	WSGMS3918	18
MS3318	16	U.6702	28, 32, 35	WSGUM2318	18
MS3320	16	UM1807	7	WSGUM3018	18
MS3518	17	UM2318	18		
MS3618	17	UM3018	18		

2021 NEW PRODUCT HIGHLIGHTS

KITCHEN SINK LINE EXTENSION

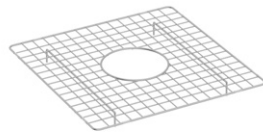
SHAKER®



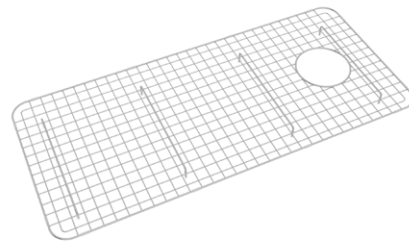
MS3320
page 16



MS3618
page 17



WSGM3320
page 16



WSGM3618
page 17

NEW KITCHEN SINK FINISH EXTENSIONS



Matte Black
MB



Matte Grey
MG

Lead times may vary

NEW BATH PRODUCT



0127DOF
page 34

2021 NEW PRODUCT HIGHLIGHTS

THE GALLERY BY SHAWS®



BLOSSOM - BLUE GOLD

The first sign of spring is a dense cloud of blackthorn blossoms, covering the English countryside with a flowering sea of ethereal petals. These blooms offer a home to nesting birds, and pollen to bees and butterflies. Come summer, the blossoms transform into dark blueberries. Here, their flowers are embellished on Shaws® kitchen sinks to make spring last year after year.

2021 NEW PRODUCT HIGHLIGHTS

THE GALLERY BY SHAW'S®



SHAKER

LANCASTER



30"



MS3018WHBSBG \$2,387
page 15

RC3018WHBSBG \$2,507
page 8



33"



MS3318WHBSBG \$2,413
page 16

RC3318WHBSBG \$2,690
page 8



36"



MS3618WHBSBG \$2,497
page 17

RC3618WHBSBG \$3,018
page 9

8-10 week lead time

2021 NEW PRODUCT HIGHLIGHTS

THE GALLERY BY SHAW'S®



BLOSSOM - BLUE SILVER

The first sign of spring is a dense cloud of blackthorn blossoms, covering the English countryside with a flowering sea of ethereal petals. These blooms offer a home to nesting birds, and pollen to bees and butterflies. Come summer, the blossoms transform into dark blueberries. Here, their flowers are embellished on Shaws® kitchen sinks to make spring last year after year.

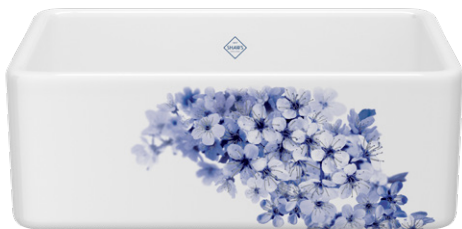
2021 NEW PRODUCT HIGHLIGHTS

THE GALLERY BY SHAW'S®



SHAKER

LANCASTER

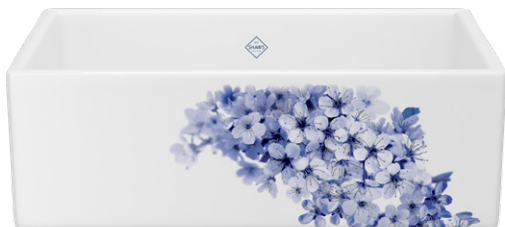


30"



MS3018WHBSBS \$2,387
page 15

RC3018WHBSBS \$2,507
page 8



33"



MS3318WHBSBS \$2,413
page 16

RC3318WHBSBS \$2,690
page 8



36"



MS3618WHBSBS \$2,497
page 17

RC3618WHBSBS \$3,018
page 9

8-10 week lead time

2021 NEW PRODUCT HIGHLIGHTS

THE GALLERY BY SHAW'S®



BLOSSOM - GREY GOLD

The first sign of spring is a dense cloud of blackthorn blossoms, covering the English countryside with a flowering sea of ethereal petals. These blooms offer a home to nesting birds, and pollen to bees and butterflies. Come summer, the blossoms transform into dark blueberries. Here, their flowers are embellished on Shaws® kitchen sinks to make spring last year after year.

2021 NEW PRODUCT HIGHLIGHTS

THE GALLERY BY SHAW'S®



SHAKER

LANCASTER

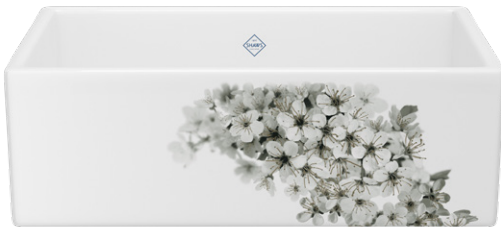


30"



MS3018WHBSGG \$2,387
page 15

RC3018WHBSGG \$2,507
page 8

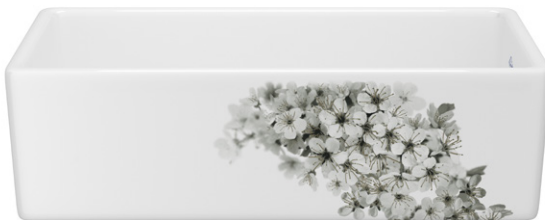


33"

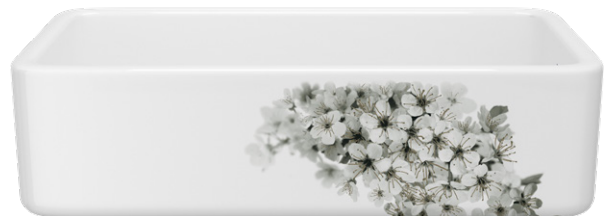


MS3318WHBSGG \$2,413
page 16

RC3318WHBSGG \$2,690
page 8



36"



MS3618WHBSGG \$2,497
page 17

RC3618WHBSGG \$3,018
page 9

8-10 week lead time

2021 NEW PRODUCT HIGHLIGHTS

THE GALLERY BY SHAWS®

INDEX

2021 UPDATES

EGERTON

LANCASTER

SHAKER

WATERSIDE

LANCASTER

SHAKER

WATERSIDE



EUCALYPTUS - BLUE GOLD

The eucalyptus is prized for its purifying and healing properties, and famous for its uplifting scent. Used as the central focus in floral design, the eucalyptus complements flower arrangements with its long stems, oval leaves, and blue, green, and silvery colors. Shaws® sinks capture the essence of the eucalyptus with soft shapes that evoke relaxation and renewal.

CARE & MAINTENANCE

TERMS

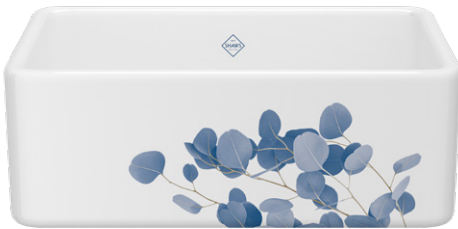
2021 NEW PRODUCT HIGHLIGHTS

THE GALLERY BY SHAW'S®



SHAKER

LANCASTER

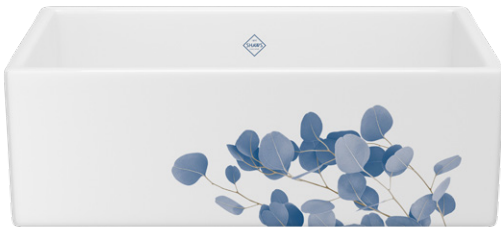


30"

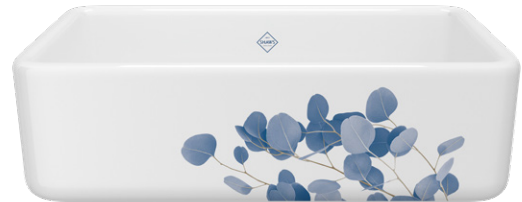


MS3018WHECBG \$2,387
page 15

RC3018WHECBG \$2,507
page 8

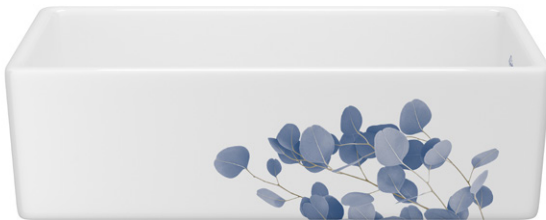


33"



MS3318WHECBG \$2,413
page 16

RC3318WHECBG \$2,690
page 8



36"



MS3618WHECBG \$2,497
page 17

RC3618WHECBG \$3,018
page 9

8-10 week lead time

2021 NEW PRODUCT HIGHLIGHTS

THE GALLERY BY SHAWS®

INDEX

2021 UPDATES

EGERTON

LANCASTER

SHAKER

WATERSIDE

LANCASTER

SHAKER

WATERSIDE



EUCALYPTUS - BLUE SILVER

The eucalyptus is prized for its purifying and healing properties, and famous for its uplifting scent. Used as the central focus in floral design, the eucalyptus complements flower arrangements with its long stems, oval leaves, and blue, green, and silvery colors. Shaws® sinks capture the essence of the eucalyptus with soft shapes that evoke relaxation and renewal.

CARE & MAINTENANCE

TERMS

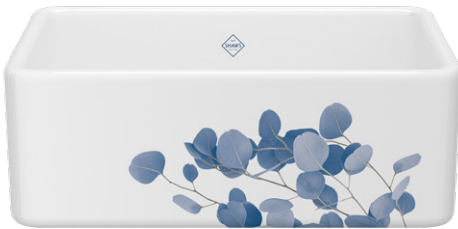
2021 NEW PRODUCT HIGHLIGHTS

THE GALLERY BY SHAW'S®



SHAKER

LANCASTER

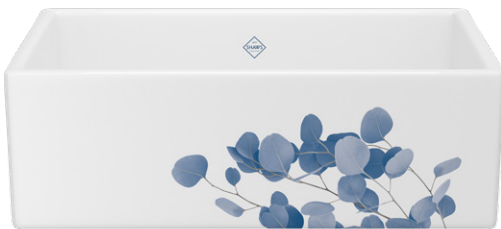


30"



MS3018WHECBS \$2,387
page 15

RC3018WHECBS \$2,507
page 8

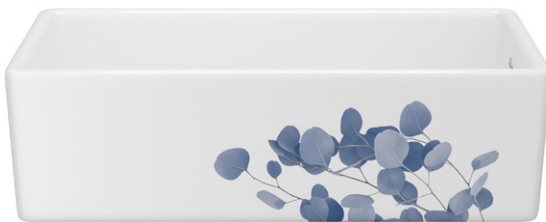


33"

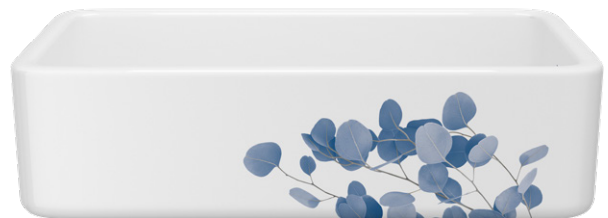


MS3318WHECBS \$2,413
page 16

RC3318WHECBS \$2,690
page 8



36"



MS3618WHECBS \$2,497
page 17

RC3618WHECBS \$3,018
page 9

8-10 week lead time

2021 NEW PRODUCT HIGHLIGHTS

THE GALLERY BY SHAWS®

INDEX

2021 UPDATES

EGERTON

LANCASTER

SHAKER

WATERSIDE

LANCASTER

SHAKER

WATERSIDE



EUCALYPTUS - GREY GOLD

The eucalyptus is prized for its purifying and healing properties, and famous for its uplifting scent. Used as the central focus in floral design, the eucalyptus complements flower arrangements with its long stems, oval leaves, and blue, green, and silvery colors. Shaws® sinks capture the essence of the eucalyptus with soft shapes that evoke relaxation and renewal.

TERMS

CARE &
MAINTENANCE

2021 NEW PRODUCT HIGHLIGHTS

THE GALLERY BY SHAW'S®



SHAKER

LANCASTER

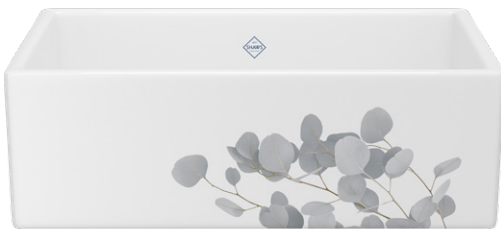


30"

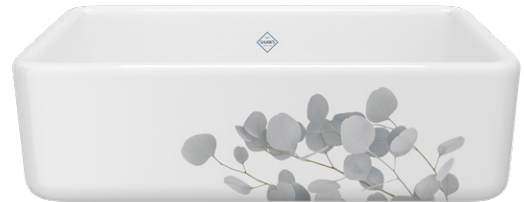


MS3018WHECGG \$2,387
page 15

RC3018WHECGG \$2,507
page 8

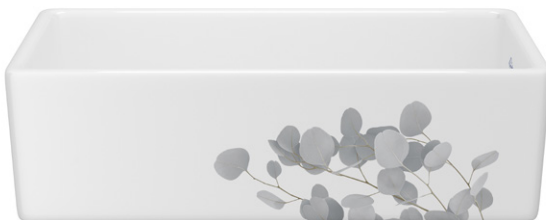


33"

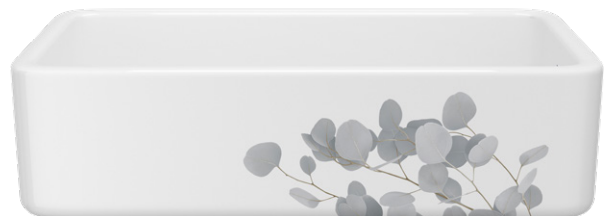


MS3318WHECGG \$2,413
page 16

RC3318WHECGG \$2,690
page 8



36"



MS3618WHECGG \$2,497
page 17

RC3618WHECGG \$3,018
page 9

8-10 week lead time

2021 NEW PRODUCT HIGHLIGHTS

THE GALLERY BY SHAWS®

INDEX

2021 UPDATES

EGERTON

LANCASTER

SHAKER

WATERSIDE

LANCASTER

SHAKER

WATERSIDE

CARE &
MAINTENANCE

TERMS



WILD GRASS - BLUE

Delicate arching leaves and slender stems blow gracefully in the wind in this image of calm adorning a Shaws® sink. These wild blooms, known as Kangaroo Paws, are native to Southwestern Australia. The tender flowers are fired into each Shaws sink for an organic look that brings an element of nature into kitchens and complements many décor styles.

2021 NEW PRODUCT HIGHLIGHTS

THE GALLERY BY SHAW'S®



SHAKER

LANCASTER

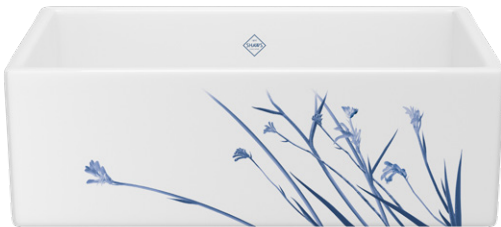


30"

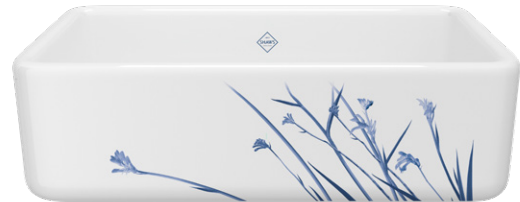


MS3018WHWGBL \$2,387
page 15

RC3018WHWGBL \$2,507
page 8

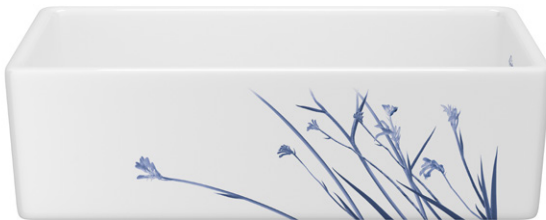


33"

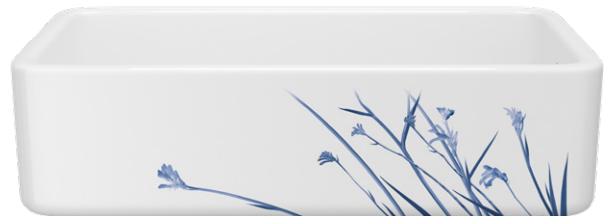


MS3318WHWGBL \$2,413
page 16

RC3318WHWGBL \$2,690
page 8



36"



MS3618WHWGBL \$2,497
page 17

RC3618WHWGBL \$3,018
page 9

8-10 week lead time

2021 NEW PRODUCT HIGHLIGHTS

THE GALLERY BY SHAWS®

INDEX

2021 UPDATES

EGERTON

LANCASTER

SHAKER

WATERSIDE

LANCASTER

SHAKER

WATERSIDE

CARE & MAINTENANCE

TERMS



WILD GRASS - GOLD

Delicate arching leaves and slender stems blow gracefully in the wind in this image of calm adorning a Shaws® sink. These wild blooms, known as Kangaroo Paws, are native to Southwestern Australia. The tender flowers are fired into each Shaws sink for an organic look that brings an element of nature into kitchens and complements many décor styles.

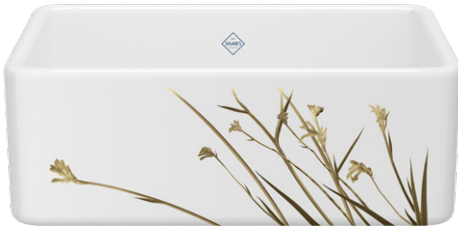
2021 NEW PRODUCT HIGHLIGHTS

THE GALLERY BY SHAW'S®

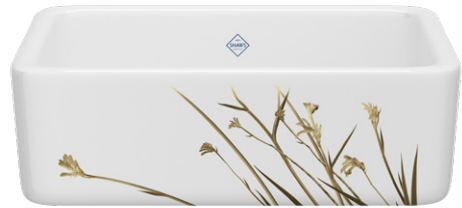


SHAKER

LANCASTER

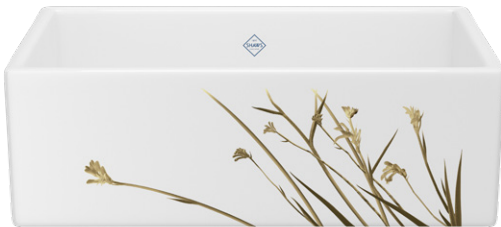


30"

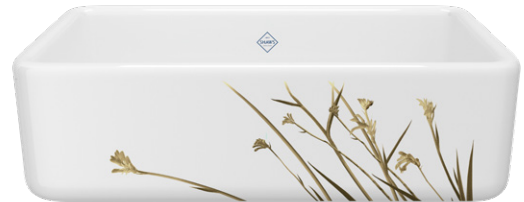


MS3018WHWGGO \$2,387
page 15

RC3018WHWGGO \$2,507
page 8

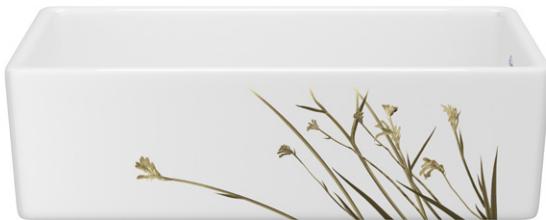


33"

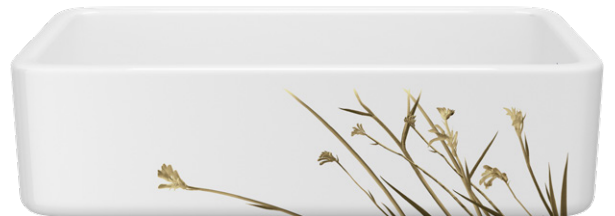


MS3318WHWGGO \$2,413
page 16

RC3318WHWGGO \$2,690
page 8



36"



MS3618WHWGGO \$2,497
page 17

RC3618WHWGGO \$3,018
page 9

8-10 week lead time

2021 NEW PRODUCT HIGHLIGHTS

THE GALLERY BY SHAWS®

INDEX

2021 UPDATES

EGERTON

LANCASTER

SHAKER

WATERSIDE

LANCASTER

SHAKER

WATERSIDE

CARE &
MAINTENANCE

TERMS



ELEMENTS - BLUE

The elements of water and air come together in a rich and absorbing abstract design, beautifully depicted on Shaws® sinks. Their meeting creates an ombre effect, a graduation from light to dark, sky to ocean, wind to waves. This elemental decoration evokes a soothing sense of tranquility, a connection to nature and to the beauty of the earth.

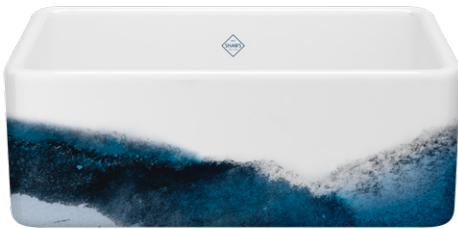
2021 NEW PRODUCT HIGHLIGHTS

THE GALLERY BY SHAW'S®



SHAKER

LANCASTER



30"



MS3018WHEMBL \$2,387
page 15

RC3018WHEMBL \$2,507
page 8



33"



MS3318WHEMBL \$2,413
page 16

RC3318WHEMBL \$2,690
page 8



36"



MS3618WHEMBL \$2,497
page 17

RC3618WHEMBL \$3,018
page 9

8-10 week lead time

2021 NEW PRODUCT HIGHLIGHTS

THE GALLERY BY SHAWS®

INDEX

2021 UPDATES

EGERTON

LANCASTER

SHAKER

WATERSIDE

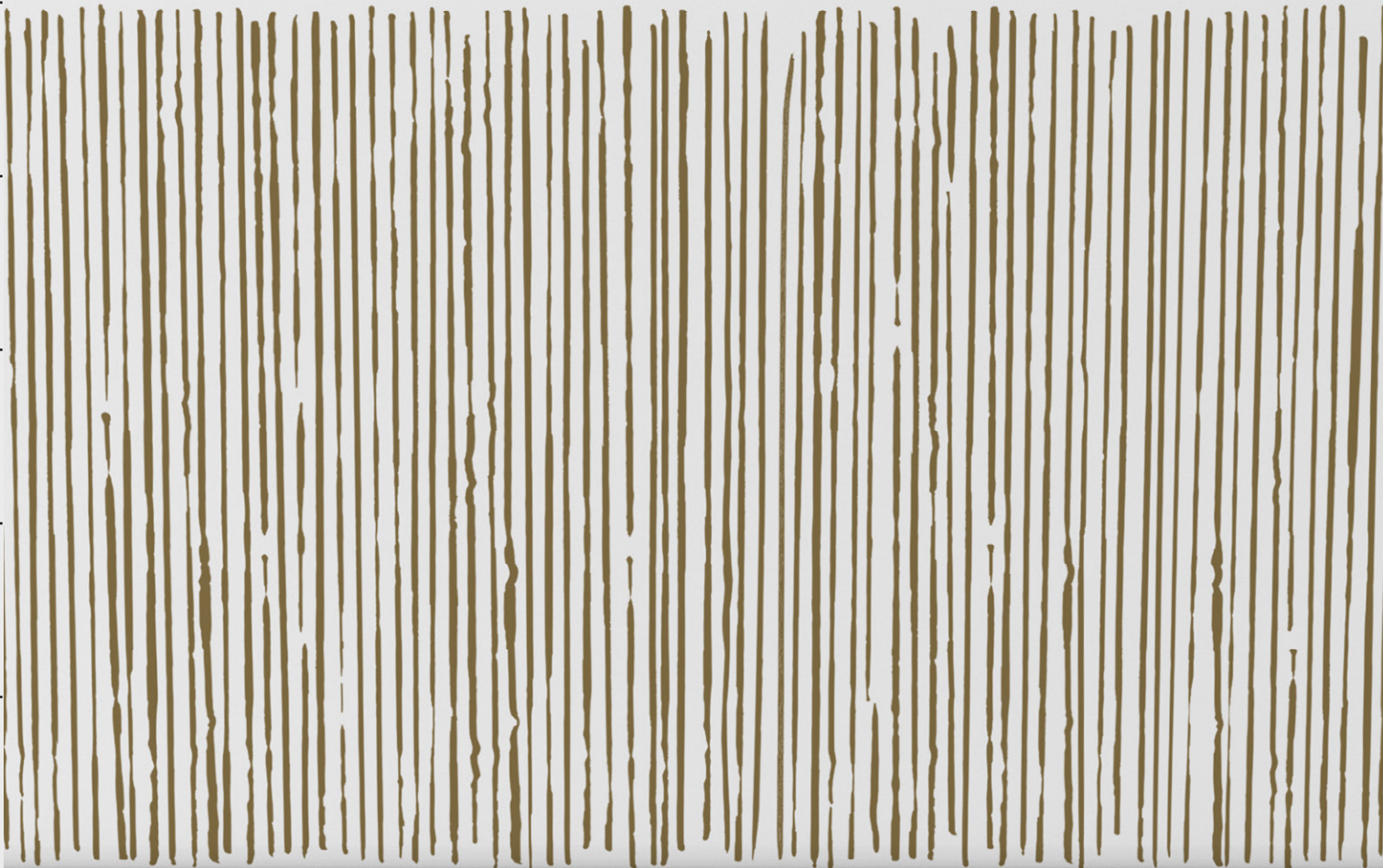
LANCASTER

SHAKER

WATERSIDE

CARE &
MAINTENANCE

TERMS



LINES - GOLD

Vertical lines balance with the rectangular shape and lustrous surface of a Shaws® sink, giving a classic silhouette a contemporary spin for a look that fits all decors. These strokes defy strictly linear symmetry for a natural, organic feel with the fluidity of modern art. Clean and dynamic, this graphic expression juxtaposes with the verticals and horizontals of fixtures and cabinets to create a statement kitchen that's truly a showpiece.

2021 NEW PRODUCT HIGHLIGHTS

THE GALLERY BY SHAW'S®



SHAKER

LANCASTER

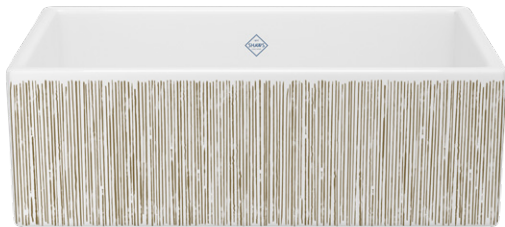


30"



MS3018WHLNGO \$2,387
page 15

RC3018WHLNGO \$2,507
page 8



33"



MS3318WHLNGO \$2,413
page 16

RC3318WHLNGO \$2,690
page 8



36"



MS3618WHLNGO \$2,497
page 17

RC3618WHLNGO \$3,018
page 9

8-10 week lead time

2021 NEW PRODUCT HIGHLIGHTS

THE GALLERY BY SHAW'S®

INDEX

2021 UPDATES

EGERTON

LANCASTER

SHAKER

WATERSIDE

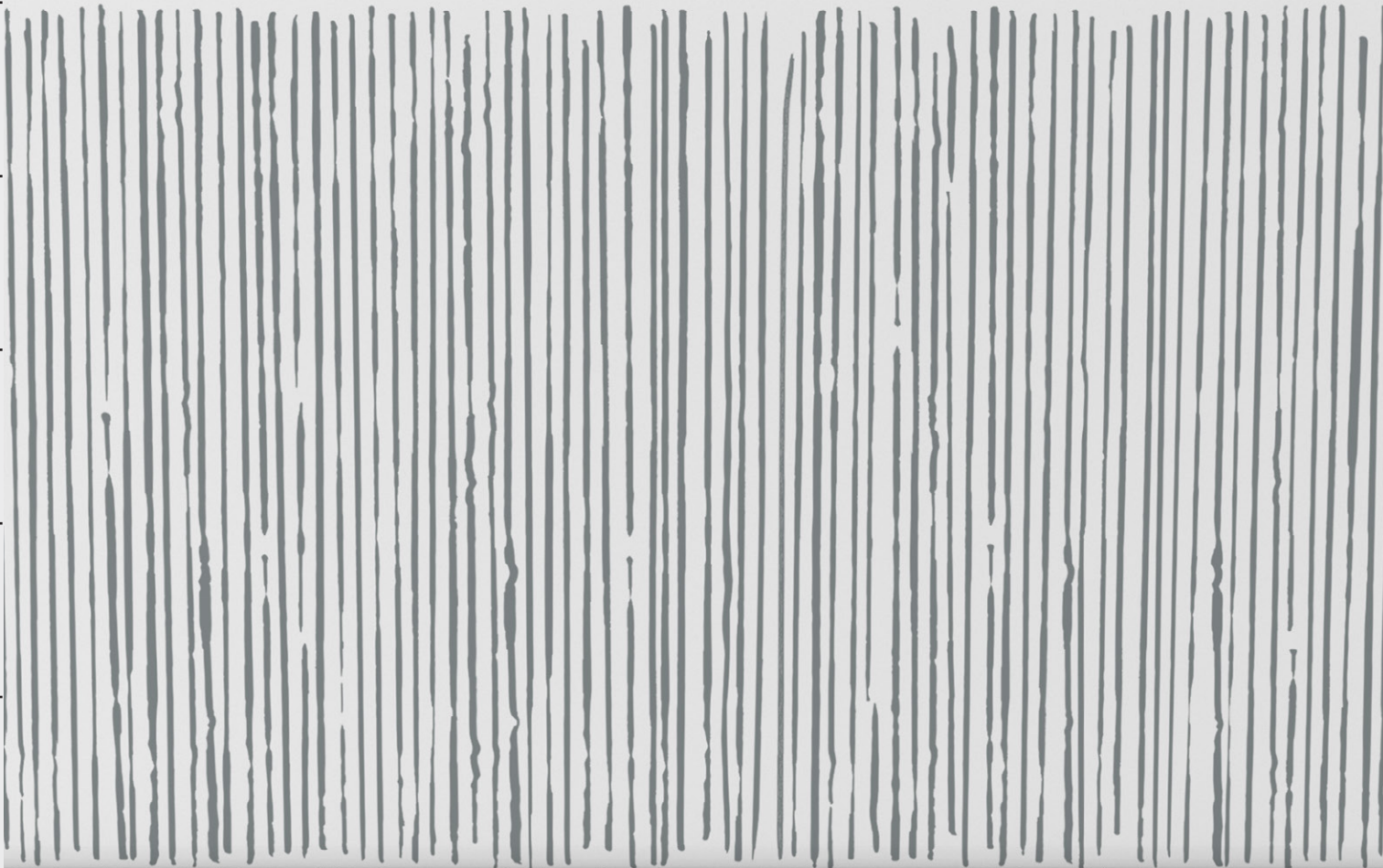
LANCASTER

SHAKER

WATERSIDE

CARE &
MAINTENANCE

TERMS



LINES - SILVER

Vertical lines balance with the rectangular shape and lustrous surface of a Shaws® sink, giving a classic silhouette a contemporary spin for a look that fits all decors. These strokes defy strictly linear symmetry for a natural, organic feel with the fluidity of modern art. Clean and dynamic, this graphic expression juxtaposes with the verticals and horizontals of fixtures and cabinets to create a statement kitchen that's truly a showpiece.

2021 NEW PRODUCT HIGHLIGHTS

THE GALLERY BY SHAW'S®



SHAKER

LANCASTER



30"



MS3018WHLNSI \$2,387
page 15

RC3018WHLNSI \$2,507
page 8



33"



MS3318WHLNSI \$2,413
page 16

RC3318WHLNSI \$2,690
page 8



36"



MS3618WHLNSI \$2,497
page 17

RC3618WHLNSI \$3,018
page 9

8-10 week lead time

2021 NEW PRODUCT HIGHLIGHTS

THE GALLERY BY SHAWS®



METALLIC - GOLD

An impression of the precious metals of silver and gold are fired into Shaws® sinks to add richness and refinement to kitchens. A look that traverses traditional and modern, these metallics simultaneously express a contemporary and a classic, timeless feel. Their golden and silvery shine enhances the lavish luster of the sinks' finely glazed fireclay surface to give kitchens a luxurious aura.

2021 NEW PRODUCT HIGHLIGHTS

THE GALLERY BY SHAW'S®



SHAKER

LANCASTER



30"



MS3018WHMTGO \$2,387
page 15

RC3018WHMTGO \$2,507
page 8



33"

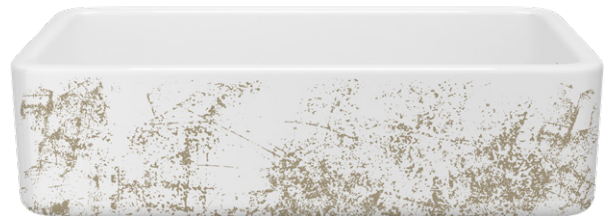


MS3318WHMTGO \$2,413
page 16

RC3318WHMTGO \$2,690
page 8



36"



MS3618WHMTGO \$2,497
page 17

RC3618WHMTGO \$3,018
page 9

8-10 week lead time

2021 NEW PRODUCT HIGHLIGHTS

THE GALLERY BY SHAWS®



METALLIC - SILVER

An impression of the precious metals of silver and gold are fired into Shaws® sinks to add richness and refinement to kitchens. A look that traverses traditional and modern, these metallics simultaneously express a contemporary and a classic, timeless feel. Their golden and silvery shine enhances the lavish luster of the sinks' finely glazed fireclay surface to give kitchens a luxurious aura.

2021 NEW PRODUCT HIGHLIGHTS

THE GALLERY BY SHAW'S®



SHAKER

LANCASTER



30"



MS3018WHMTSI \$2,387
page 15

RC3018WHMTSI \$2,507
page 8



33"

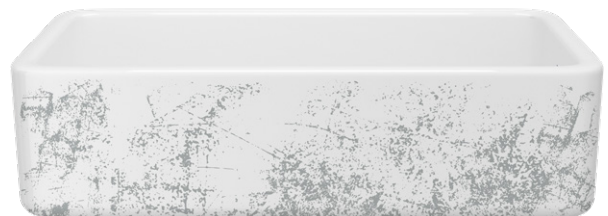


MS3318WHMTSI \$2,413
page 16

RC3318WHMTSI \$2,690
page 8



36"



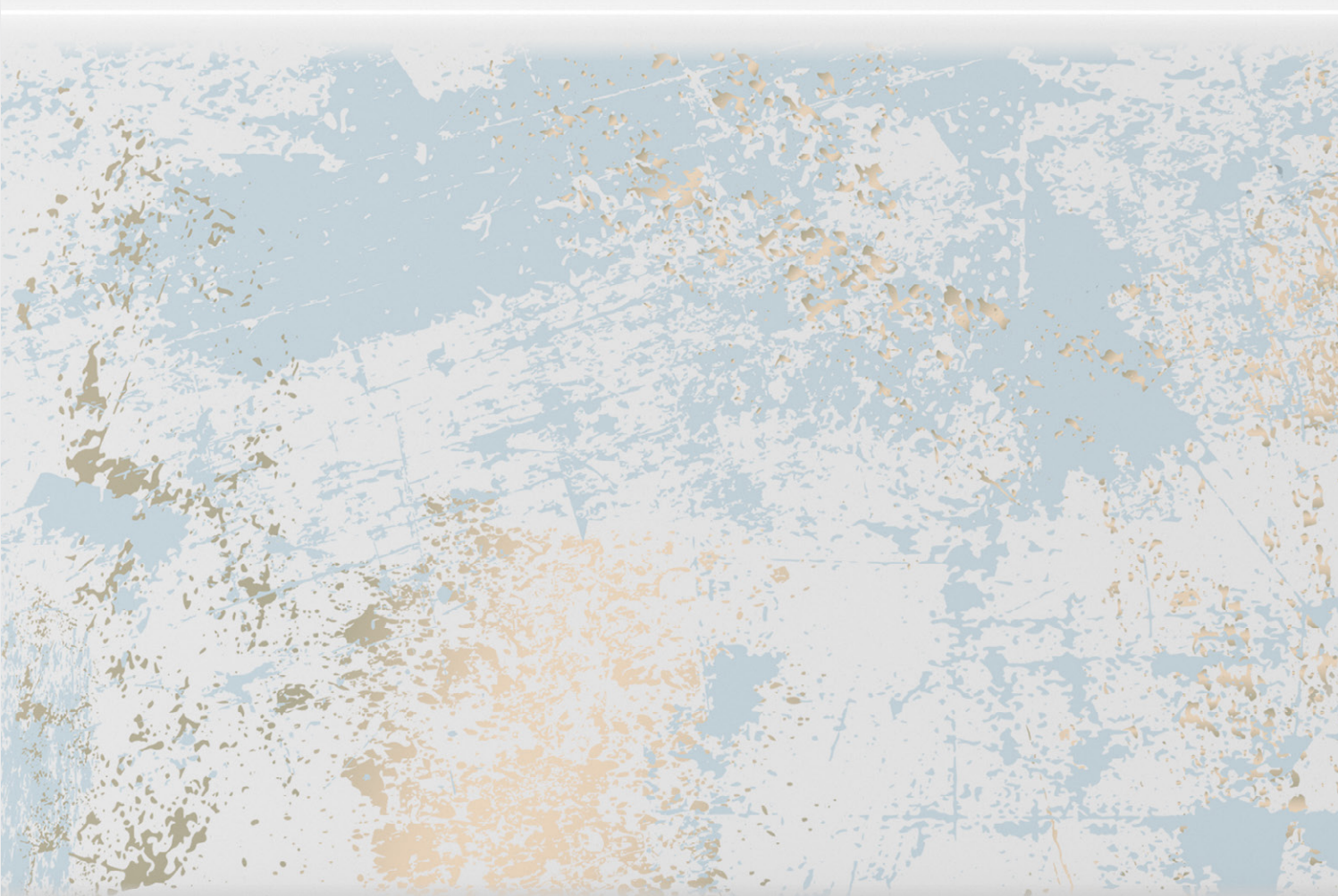
MS3618WHMTSI \$2,497
page 17

RC3618WHMTSI \$3,018
page 9

8-10 week lead time

2021 NEW PRODUCT HIGHLIGHTS

THE GALLERY BY SHAWS®



PATINA - BLUE GOLD

A patina is formed through a chemical reaction creating a lush abstraction of color and shine. Patina is also the aura of refinement that comes with time. The patina design incorporated into Shaws® sinks fits both descriptions. A blending of shade and hue adorns sinks that are created by hand according to traditions set in 1897. Together they form a timeless look that is the epitome of understated luxury.

2021 NEW PRODUCT HIGHLIGHTS

THE GALLERY BY SHAW'S®



SHAKER

LANCASTER



30"



MS3018WHPTBG \$2,387
page 15

RC3018WHPTBG \$2,507
page 8



33"

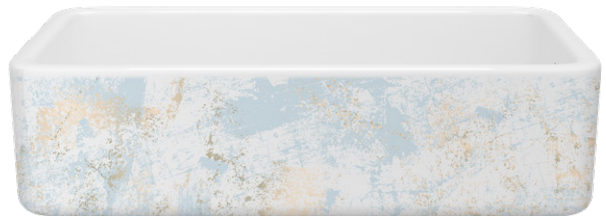


MS3318WHPTBG \$2,413
page 16

RC3318WHPTBG \$2,690
page 8



36"



MS3618WHPTBG \$2,497
page 17

RC3618WHPTBG \$3,018
page 9

8-10 week lead time

2021 NEW PRODUCT HIGHLIGHTS

THE GALLERY BY SHAWS®



INDEX

2021 UPDATES

EGERTON

LANCASTER

SHAKER

WATERSIDE

LANCASTER

SHAKER

WATERSIDE

CARE &
MAINTENANCE

TERMS

PATINA - BLUE SILVER

A patina is formed through a chemical reaction creating a lush abstraction of color and shine. Patina is also the aura of refinement that comes with time. The patina design incorporated into Shaws® sinks fits both descriptions. A blending of shade and hue adorns sinks that are created by hand according to traditions set in 1897. Together they form a timeless look that is the epitome of understated luxury.

B30

2021 NEW PRODUCT HIGHLIGHTS

THE GALLERY BY SHAW'S®



SHAKER

LANCASTER



30"



MS3018WHPTBS \$2,387
page 15

RC3018WHPTBS \$2,507
page 8



33"



MS3318WHPTBS \$2,413
page 16

RC3318WHPTBS \$2,690
page 8



36"



MS3618WHPTBS \$2,497
page 17

RC3618WHPTBS \$3,018
page 9

8-10 week lead time

MOLD MAKING

The skilled master mold maker pours special plaster and begins making the mold by hand

DAY

1

2

3

4

5

6

7

8

9

10

11

12

13

14

15

16

17

18

19

20

21

22

23

24

FIRECLAY PRODUCTION

The first blend of 14 clays is mixed

This clay blend rests for 24 hours

The second blend of clay is mixed with the first

This fireclay mix rests for 24 hours

The fireclay is ready to use

The mold is ready to use

CASTING & FETTLING

The liquid clay is poured into the mold

The mold is allowed to rest

The sink is removed and fettled / hand finished, and the makers mark is applied before resting in the air for 1 day

The sink is placed in a drying room at 225°F for 2 days



GLAZING

The sink cools before glazing

First coat of heavy glaze is hand sprayed

The glaze is allowed to dry for 24 hours

Second coat of heavy glaze is hand sprayed

The glaze is allowed to dry for 24 hours

The sink is inspected & Shaws brand applied



FIRING

The sink is cleaned and loaded onto the kiln

Fired at 2200°F for 2 days in a large gas kiln

Cools for 1 day

The sink is finally inspected and carefully packed ready for shipment





MS3318

How to install a Shaws® Farmhouse Kitchen Sink:



Scan QR code or visit: youtube.com/watch?v=8sndyoRdUEc

SHAWS® KITCHEN SINKS

LANCASTER™



UM1807
page 7



RC2418
page 7



RC3018
page 8



RC3318
page 8



RC1515
page 7



RC3618
page 9



RC3719
page 9



RC4019
page 9

SHAKER™



RC1818
page 15



MS2418
page 15



MS3018
page 15



MS3318
page 16



MS3320
page 16



MS3518
page 17



MS3618
page 17



MS3918
page 17



UM2318
page 18



UM3018
page 18

WATERSIDE™



RC3021
page 22

EGERTON™



RC3017
page 2



RC4018
page 2



WH



PCT



MG



MB

EGERTON™

The Egerton™ is a casement apron front sink—the classic farmhouse shape with an extra touch of detailing. The Egerton’s inset frame adds distinction as well as a more traditional feel, making it perfect for country kitchens seeking authenticity. Its longer rectangular shape is roomier, too. As with all Shaws® heavy fireclay sinks, the Egerton is molded, glazed, fired, and signed by one master craftsman, following a tradition of handcraft from 1897. The result is a sink of iconic beauty, resilience, and lifetime performance.



RC3017WH

Available Finishes:



White
WH



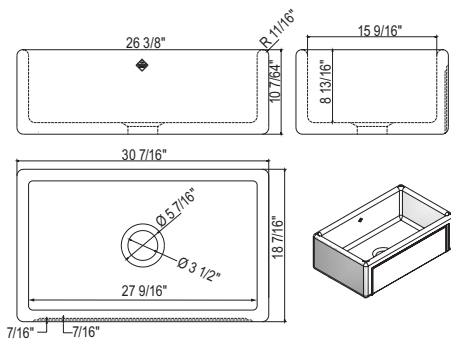
Parchment
PCT



Matte Grey
MG



Matte Black
MB



RC3017 30" Egerton Single Bowl Farmhouse Apron Front Fireclay Kitchen Sink

Suggested Retail Price

	WH	PCT	MG	MB
RC3017	2416	2659	2659	2659

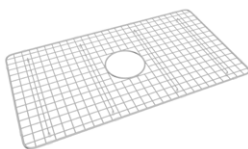
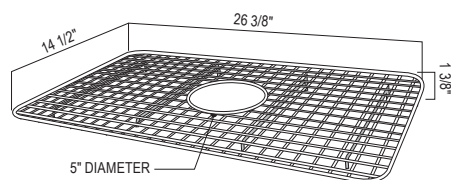


- 33" minimum cabinet size
- Basket strainer or extended disposal flange required for installation
- Due to ±2% dimensions, it is recommended that the cabinet construction is finalized upon receipt of the sink. Please refer to installation video on page B33
- For matching wire sink grid, order WSG3017

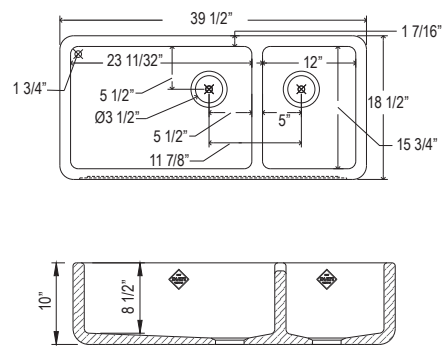
WSG3017 Wire Sink Grid For RC3017 Kitchen Sink

Suggested Retail Price

	WH	SS	BS
WSG3017	253	253	253



- Biscuit (BS) finish coordinates with Parchment (PCT) sinks
- Minimizes scratches and wear on the bottom of the sink by creating a raised working surface



RC4018 40" Egerton Double Bowl Farmhouse Apron Front Fireclay Kitchen Sink

Suggested Retail Price

	WH	PCT	MG	MB
RC4018	4896	5390	5390	5390

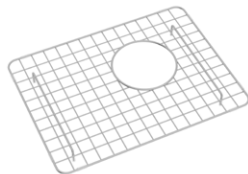
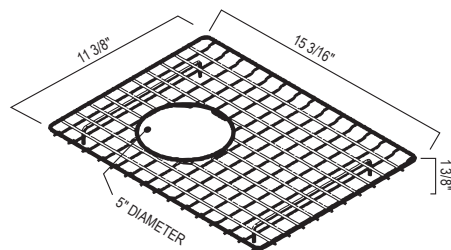


- 42" minimum cabinet size
- Basket strainer or extended disposal flange required for installation
- Due to ±2% dimensions, it is recommended that the cabinet construction is finalized upon receipt of the sink. Please refer to installation video on page B33
- 65/35 Double Bowl
- For matching wire sink grid, order WSG4019LG and WSG4019SM.

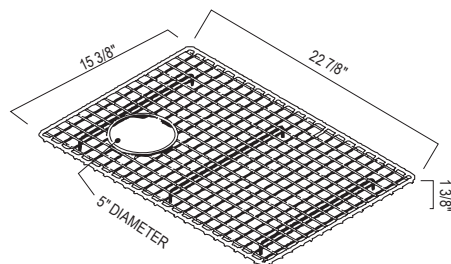
WSG4019SM Wire Sink Grid For RC4019 & RC4018 Kitchen Sinks Small Bowl

Suggested Retail Price

	WH	BS	SS
WSG4019SM	266	266	266



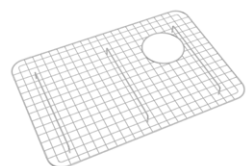
- Biscuit (BS) finish coordinates with Parchment (PCT) sinks
- Minimizes scratches and wear on the bottom of the sink by creating a raised working surface



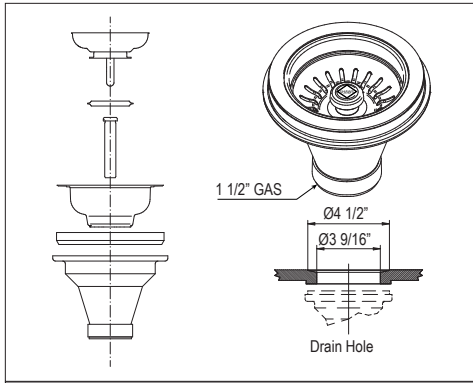
WSG4019LG Wire Sink Grid For RC4019 & RC4018 Kitchen Sinks Large Bowl

Suggested Retail Price

	WH	BS	SS
WSG4019LG	314	314	314



- Biscuit (BS) finish coordinates with Parchment (PCT) sinks
- Minimizes scratches and wear on the bottom of the sink by creating a raised working surface



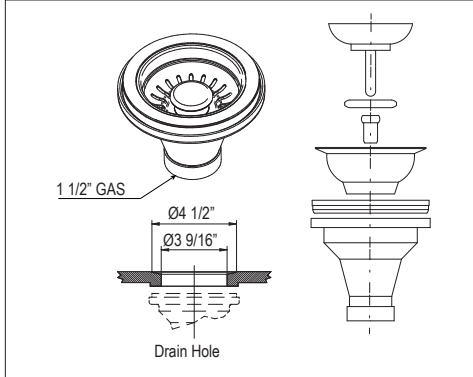
734 Manual Basket Strainer



Suggested Retail Price

WH	APC	PN	STN	MB	IB	EB	RG	TCB	EG
734 __	295	143	275	236	295	295	295	295	298

- Fits standard 3 1/2" diameter US drain openings
- Standard 1 1/2" male connection to drain plumbing
- Shorter mounting screws available for metal sink, part #737SCREW23



736 Manual Basket Strainer

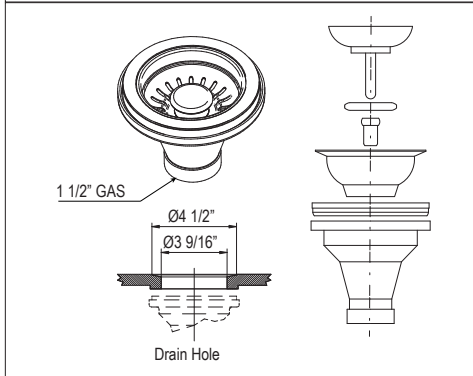


Suggested Retail Price

APC	
736 __	100

- Fits standard 3 1/2" diameter US drain openings
- Standard 1 1/2" male connection to drain plumbing
- Shorter mounting screws available for metal sinks, part #737SCREW23

ROHL



738 Manual Basket Strainer

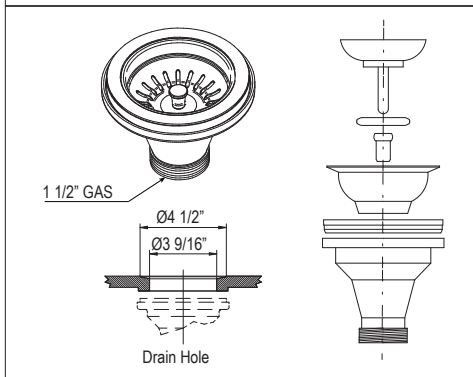


Suggested Retail Price

PN	STN	MB	EB	EG	IB	
738 __	198	198	208	298	298	298
RG	SG	TCB	ULB	BKS		
738 __	298	19	298	298	348	

- Fits standard 3 1/2" diameter US drain openings
- Standard 1 1/2" male connection to drain plumbing
- Shorter mounting screws available for metal sinks, part #737SCREW23

ROHL



733 Manual Basket Strainer

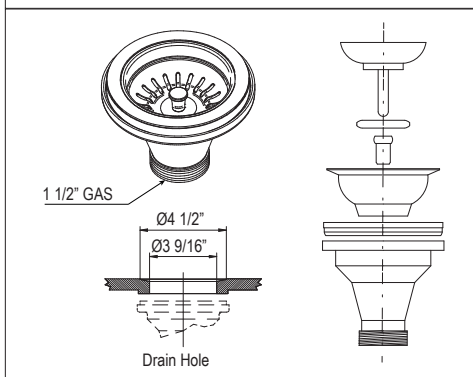


Suggested Retail Price

APC	
733 __	68

- Fits standard 3 1/2" diameter US drain openings
- Standard 1 1/2" male connection to drain plumbing
- Shorter mounting screws available for metal sinks, part #737SCREW23

ROHL



735 Manual Basket Strainer

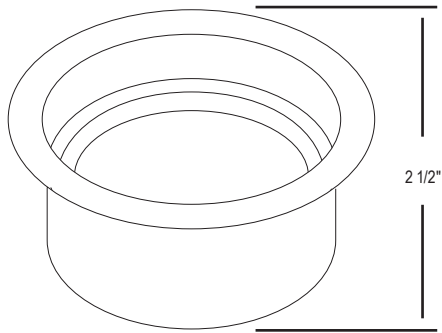


Suggested Retail Price

PN	STN	MB	EB	EG	IB	RG	
735 __	198	198	208	298	298	298	
SEG	TCB	ULB	BK	WH	BKS	BS	
735 __	298	298	298	208	198	348	208

- Fits standard 3 1/2" diameter US drain openings
- Standard 1 1/2" male connection to drain plumbing
- Shorter mounting screws available for metal sinks, part #737SCREW23

ROHL

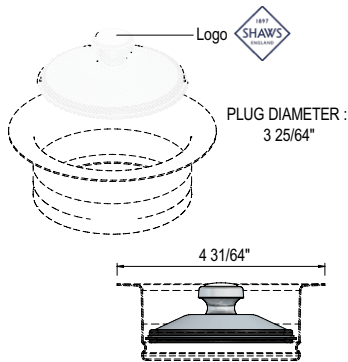


ISE10082 Extended Disposal Flange



Suggested Retail Price							
	WH	APC	PN	STN	MB	IB	EB
ISE10082 __	242	242	290	302	314	406	343
	TCB	BS	SEG	EG	BK	SS	SG
ISE10082 __	343	343	343	406	314	302	530

- Not compatible with Waste King
- For use with 745 or 744 disposal stopper

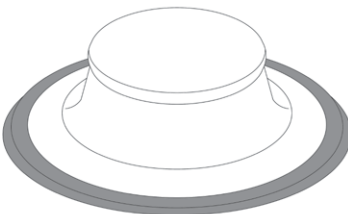


745 Disposal Stopper



Suggested Retail Price						
	APC	PN	STN	MB	IB	ULB
745 __	67	152	152	240	152	152

- For use with ISE10082 disposal flange
- Not compatible with Waste King
- Fits standard 3 1/2" diameter US drain openings



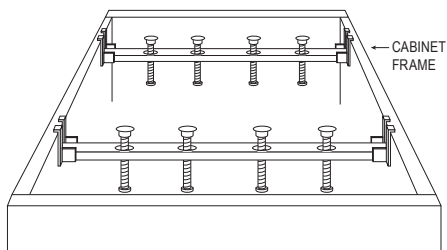
744 Disposal Stopper



Suggested Retail Price							
	APC	PN	STN	MB	EB	EG	IB
744 __	137	165	172	179	220	281	281
	RG	SEG	SG	TCB	WH	BKS	
744 __	214	268	445	220	137	137	

- Not compatible with Waste King
- Fits standard 3 1/2" diameter US drain openings

ROHL



QN25UM 25" Undermount Sink Kit



Suggested Retail Price	
	\$
QN25UM	132

- Allows easy undermount installation of all Shaws and Allia kitchen and bar/food prep sinks

ROHL

LANCASTER™

This is the original, the one that's set the standard for all fireclay farmhouse sinks with the classic apron front design. The Lancaster™ is made by hand in the same way since 1897 and still in use today in 100-year old English homes. Named for the county of Lancashire, the region where Shaws® are made, the Lancaster has thicker walls and a lustrous surface that's glazed not once, but twice. Durable, distinctive, authentic, the Lancaster is for those who seek an original and believe that making a statement is one they make for themselves.



RC3018WH

Available Finishes:



White
WH



Parchment
PCT



Matte Grey
MG



Matte Black
MB

COLLECTION HIGHLIGHTS



WH



PCT



MG



MB

BAR/FOOD PREP SINKS



UM1807
page 7



RC1515
page 7



RC2418
page 7



RC3018
page 8



RC3318
page 8



RC3618
page 9

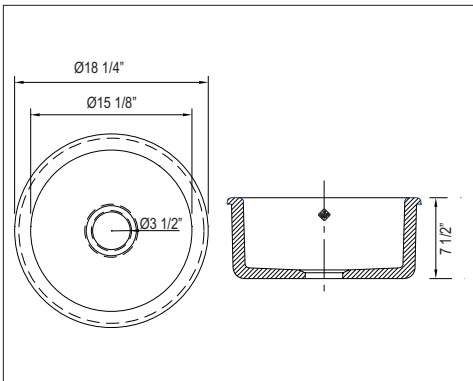


RC3719
page 9



RC4019
page 9

MAIN KITCHEN SINKS



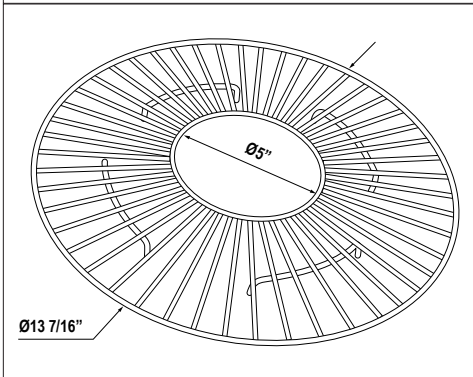
UM1807 18" Lancaster Single Bowl Round Bar/Food Prep Fireclay Kitchen Sink



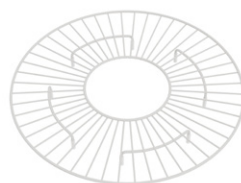
Suggested Retail Price

	WH	PCT	MG	MB
UM1807	863	949	949	949

- 21" minimum cabinet size
- For undermount, can use two QN25UM for improved support
- Due to ±2% dimensions, it is recommended that the cabinet construction is finalized upon receipt of the sink. Please refer to installation video on page B33
- For matching wire sink grid, order WSG6737
- Basket strainer or extended disposal flange required for installation



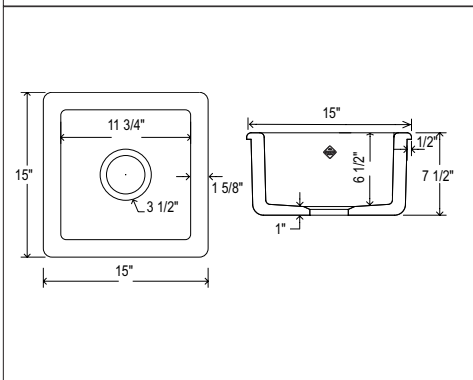
WSG6737 Wire Sink Grid For UM1807 Bar/Food Prep Kitchen Sinks



Suggested Retail Price

	WH	BS	SS
WSG6737	183	183	183

- Biscuit (BS) finish coordinates with Parchment (PCT) and Allia (68) Pergame sinks
- Minimizes scratches and wear on the bottom of the sink by creating a raised working surface



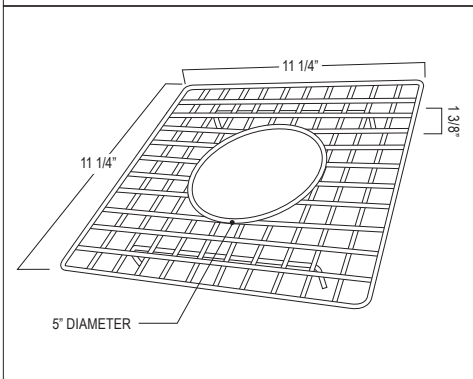
RC1515 15" Lancaster Single Bowl Fireclay Bar/Food Prep Kitchen Sink



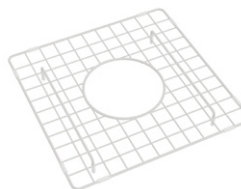
Suggested Retail Price

	WH	PCT	MG	MB
RC1515	1061	1172	1172	1172

- 18" minimum cabinet size
- Due to ±2% dimensions, it is recommended that the cabinet construction is finalized upon receipt of the sink. Please refer to installation video on page B33
- For matching wire sink grid, order WSG1515
- Basket strainer or extended disposal flange required for installation



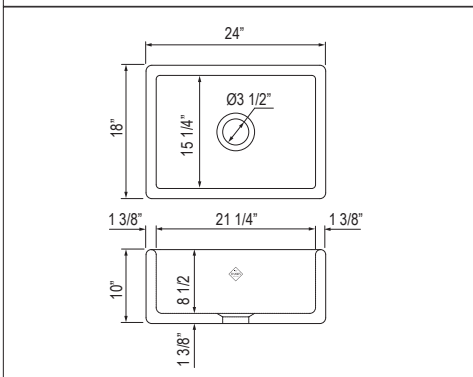
WSG1515 Wire Sink Grid For RC1515 Bar/Food Prep Kitchen Sink



Suggested Retail Price

	WH	SS	BS
WSG1515	185	185	185

- Biscuit (BS) finish coordinates with Parchment (PCT) sinks
- Minimizes scratches and wear on the bottom of the sink by creating a raised working surface



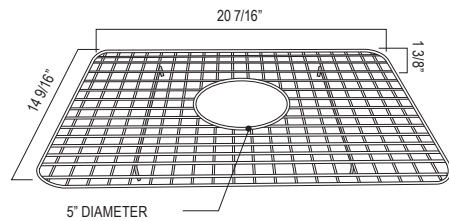
RC2418 24" Lancaster Single Bowl Farmhouse Apron Front Fireclay Kitchen Sink



Suggested Retail Price

	WH	PCT	MG	MB
RC2418	1971	2169	2169	2169

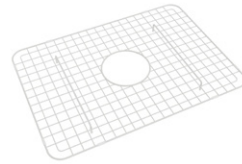
- 27" minimum cabinet size
- Basket strainer or extended disposal flange required for installation
- Due to ±2% dimensions, it is recommended that the cabinet construction is finalized upon receipt of the sink. Please refer to installation video on page B33
- For matching wire sink grid, order WSG2418



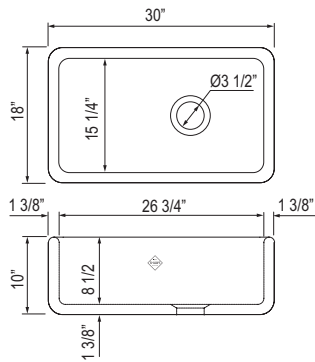
WSG2418 Wire Sink Grid For RC2418 Kitchen Sink

Suggested Retail Price

	WH	BS	SS
WSG2418	244	244	244



- Biscuit (BS) finish coordinates with Parchment (PCT) sinks
- Minimizes scratches and wear on the bottom of the sink by creating a raised working surface



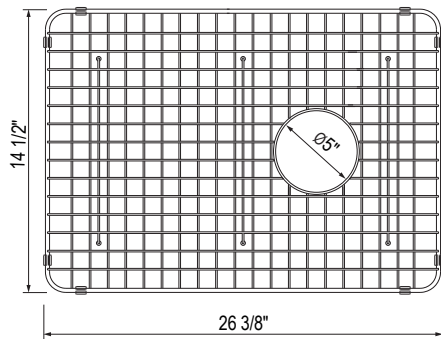
RC3018 30" Lancaster Single Bowl Farmhouse Apron Front Fireclay Kitchen Sink

Suggested Retail Price

	WH	PCT	MG	MB
RC3018	2008	2210	2210	2210



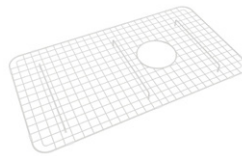
- 33" minimum cabinet size
- Basket strainer or extended disposal flange required for installation
- Due to ±2% dimensions, it is recommended that the cabinet construction is finalized upon receipt of the sink. Please refer to installation video on page B33
- Add artistic character to your white sink. See The Gallery by Shaws® on page B2
- Right hand drain only
- For matching wire sink grid, order WSG3018



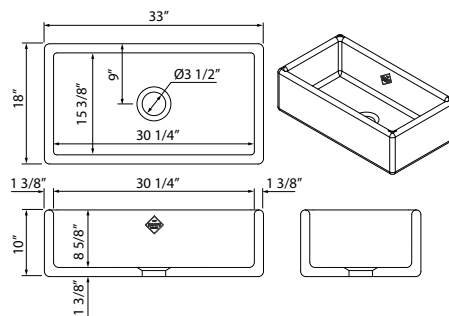
WSG3018 Wire Sink Grid For RC3018 Kitchen Sink

Suggested Retail Price

	WH	SS	BS
WSG3018	253	253	253



- Biscuit (BS) finish coordinates with Parchment (PCT) sinks
- Minimizes scratches and wear on the bottom of the sink by creating a raised working surface



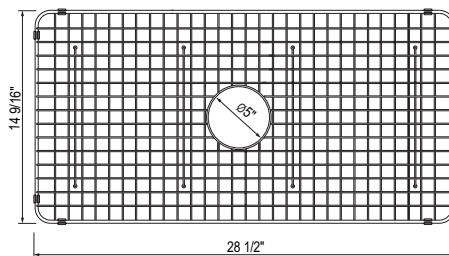
RC3318 33" Lancaster Single Bowl Farmhouse Apron Front Fireclay Kitchen Sink

Suggested Retail Price

	WH	PCT	MG	MB
RC3318	2191	2411	2411	2411



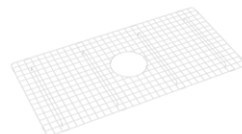
- 36" minimum cabinet size
- Basket strainer or extended disposal flange required for installation
- Due to ±2% dimensions, it is recommended that the cabinet construction is finalized upon receipt of the sink. Please refer to installation video on page B33
- Add artistic character to your white sink. See The Gallery by Shaws® on page B2
- For matching wire sink grid, order WSG3318



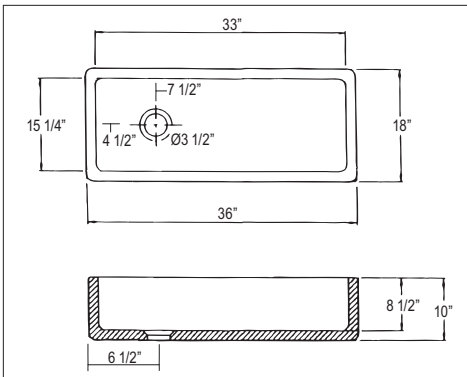
WSG3318 Wire Sink Grid For RC3318 Kitchen Sink

Suggested Retail Price

	WH	SS	BS
WSG3318	239	239	239



- Biscuit (BS) finish coordinates with Parchment (PCT) sinks
- Minimizes scratches and wear on the bottom of the sink by creating a raised working surface



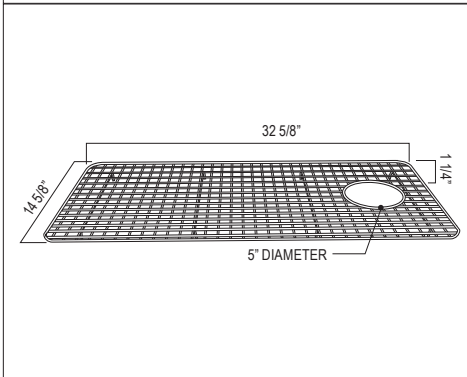
RC3618 36" Lancaster Single Bowl Farmhouse Apron Front Fireclay Kitchen Sink



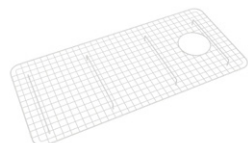
- 39" minimum cabinet size
- Basket strainer or extended disposal flange required for installation
- Due to ±2% dimensions, it is recommended that the cabinet construction is finalized upon receipt of the sink. Please refer to installation video on page B33
- Add artistic character to your white sink. See The Gallery by Shaws® on page B2
- Reversible install
- For matching wire sink grid, order WSG3618

Suggested Retail Price

	WH	PCT	MG	MB
RC3618	2519	2789	2789	2789



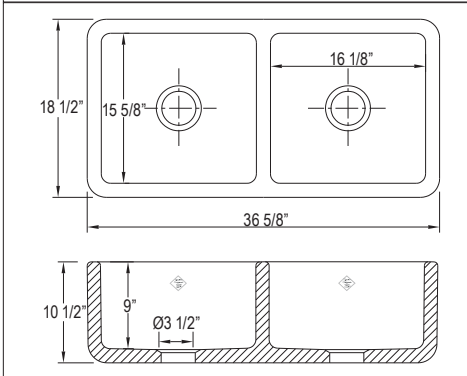
WSG3618 Wire Sink Grid For RC3618 Kitchen Sink



- Biscuit (BS) finish coordinates with Parchment (PCT) sinks
- Minimizes scratches and wear on the bottom of the sink by creating a raised working surface

Suggested Retail Price

	WH	BS	SS
WSG3618	346	346	346



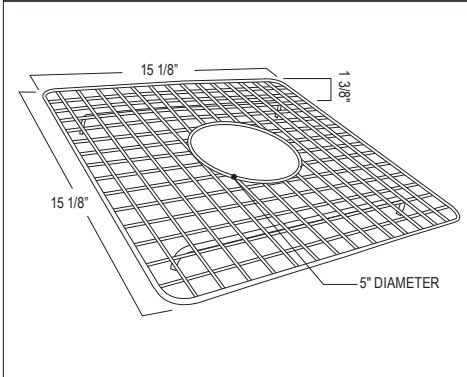
RC3719 37" Lancaster Double Bowl Farmhouse Apron Front Fireclay Kitchen Sink



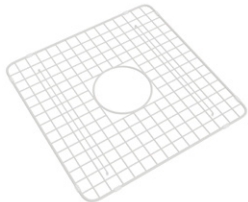
- 39" minimum cabinet size
- Basket strainer or extended disposal flange required for installation
- Due to ±2% dimensions, it is recommended that the cabinet construction is finalized upon receipt of the sink. Please refer to installation video on page B33
- 50/50 Double Bowl
- For matching wire sink grid, order WSG3719

Suggested Retail Price

	WH	PCT	MG	MB
RC3719	4002	4402	4402	4402



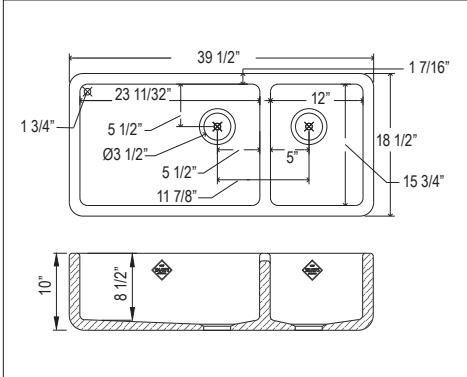
WSG3719 Wire Sink Grid For RC3719 Kitchen Sink



- Biscuit (BS) finish coordinates with Parchment (PCT) sinks
- Minimizes scratches and wear on the bottom of the sink by creating a raised working surface

Suggested Retail Price

	WH	BS	SS
WSG3719	243	243	243



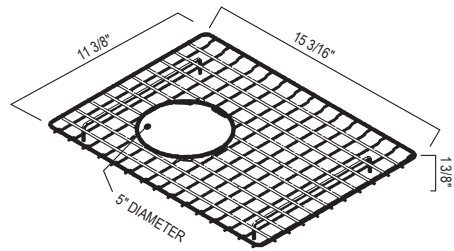
RC4019 40" Lancaster Double Bowl Farmhouse Apron Front Fireclay Kitchen Sink



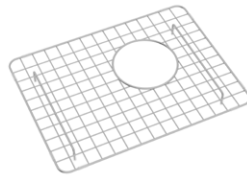
- 42" minimum cabinet size
- Basket strainer or extended disposal flange required for installation
- Due to ±2% dimensions, it is recommended that the cabinet construction is finalized upon receipt of the sink. Please refer to installation video on page B33
- 65/35 Double Bowl
- For matching wire sink grid, order WSG4019LG and WSG4019SM

Suggested Retail Price

	WH	PCT	MG	MB
RC4019	4672	5139	5139	5139



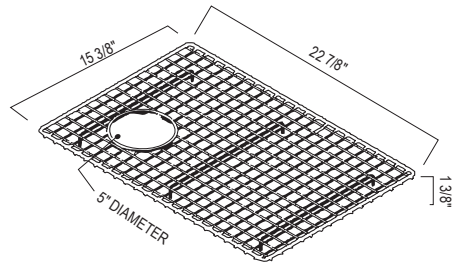
WSG4019SM Wire Sink Grid For RC4019 & RC4018 Kitchen Sinks Small Bowl



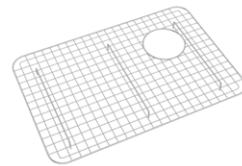
- Biscuit (BS) finish coordinates with Parchment (PCT) sinks
- Minimizes scratches and wear on the bottom of the sink by creating a raised working surface

Suggested Retail Price

	WH	BS	SS
WSG4019SM	266	266	266



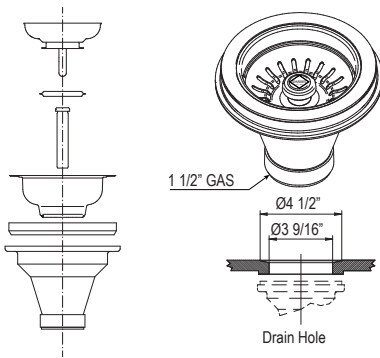
WSG4019LG Wire Sink Grid For RC4019 & RC4018 Kitchen Sinks Large Bowl



- Biscuit (BS) finish coordinates with Parchment (PCT) sinks
- Minimizes scratches and wear on the bottom of the sink by creating a raised working surface

Suggested Retail Price

	WH	SS	BS
WSG4019LG	314	314	314

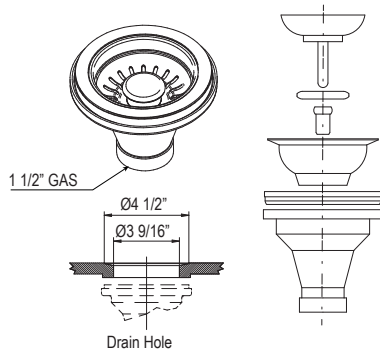


734 Manual Basket Strainer



	WH	APC	PN	STN	MB	IB	EB	RG	TCB	EG
734	295	143	275	236	295	295	295	295	295	298

- Fits standard 3 1/2" diameter US drain openings
- Standard 1 1/2" male connection to drain plumbing
- Shorter mounting screws available for metal sink, part #737SCREW23



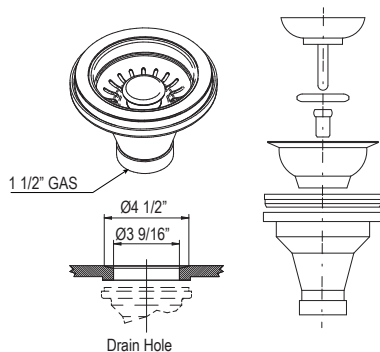
736 Manual Basket Strainer



	APC
736	100

- Fits standard 3 1/2" diameter US drain openings
- Standard 1 1/2" male connection to drain plumbing
- Shorter mounting screws available for metal sinks, part #737SCREW23

ROHL



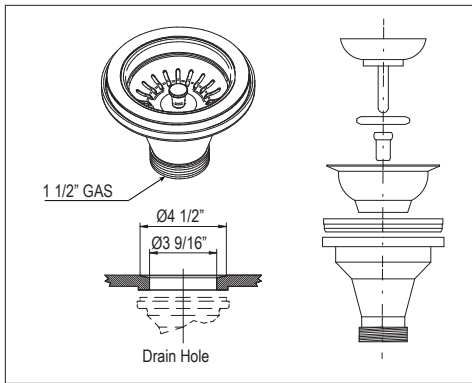
738 Manual Basket Strainer



	PN	STN	MB	EB	EG	IB
738	198	198	208	298	298	298
	RG	SG	TCB	ULB	BKS	
738	298	19	298	298	348	

- Fits standard 3 1/2" diameter US drain openings
- Standard 1 1/2" male connection to drain plumbing
- Shorter mounting screws available for metal sinks, part #737SCREW23

ROHL



733 Manual Basket Strainer

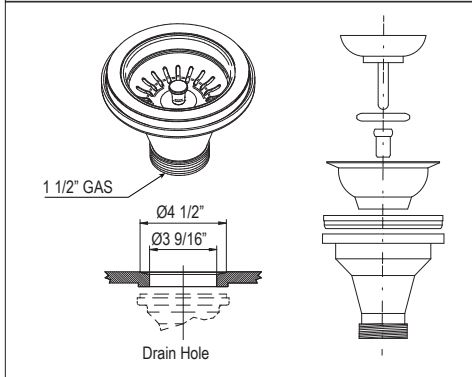


Suggested Retail Price

	APC
733 __	68

- Fits standard 3 1/2" diameter US drain openings
- Standard 1 1/2" male connection to drain plumbing
- Shorter mounting screws available for metal sinks, part #737SCREW23

ROHL



735 Manual Basket Strainer

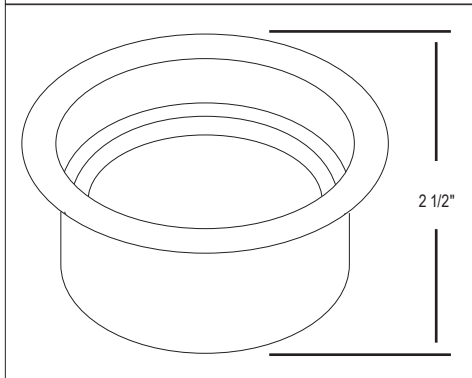


Suggested Retail Price

	PN	STN	MB	EB	EG	IB	RG
735 __	198	198	208	298	298	298	298
	SEG	TCB	ULB	BK	WH	BKS	BS
735 __	298	298	298	208	198	348	208

- Fits standard 3 1/2" diameter US drain openings
- Standard 1 1/2" male connection to drain plumbing
- Shorter mounting screws available for metal sinks, part #737SCREW23

ROHL



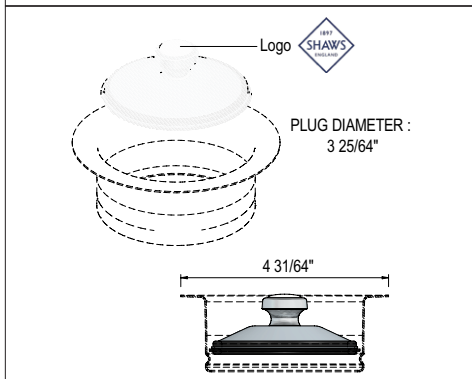
ISE10082 Extended Disposal Flange



Suggested Retail Price

	WH	APC	PN	STN	MB	IB	EB
ISE10082 __	242	242	290	302	314	406	343
	TCB	SEG	BK	BS	SG	SS	EG
ISE10082 __	343	343	314	343	530	302	406

- Not compatible with Waste King
- For use with 745 or 744 disposal stopper



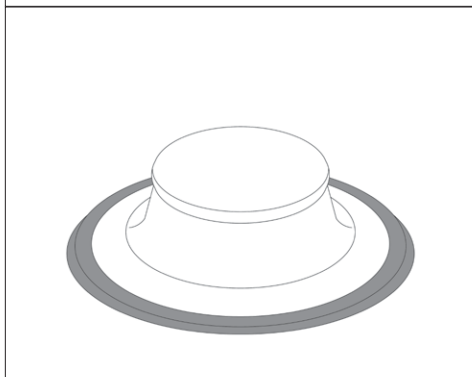
745 Disposal Stopper



Suggested Retail Price

	APC	PN	STN	MB	IB	ULB
745 __	67	152	152	240	152	152

- For use with ISE10082 disposal flange
- Not compatible with Waste King
- Fits standard 3 1/2" diameter US drain openings



744 Disposal Stopper

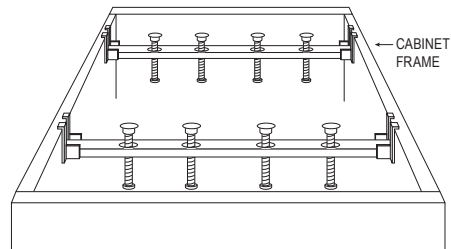


Suggested Retail Price

	APC	PN	STN	MB	EB	EG	IB
744 __	137	165	172	179	220	281	281
	RG	SEG	SG	TCB	WH	BKS	
744 __	214	268	445	220	137	137	

- Not compatible with Waste King
- Fits standard 3 1/2" diameter US drain openings

ROHL



QN25UM 25" Undermount Sink Kit

Suggested Retail Price

	Suggested Retail Price
QN25UM	\$ 132



- Allows easy undermount installation of all Shaws and Allia kitchen and bar/food prep sinks

ROHL

SHAKER™

The Shaker™ apron front fireclay sink is a modern interpretation of the 1897 original. Named for the design movement that believed less is more, this Shaker farmhouse sink takes a minimalist approach. Instead of the iconic apron front with rounded corners, the Shaker has a clean, rectangular shape with squared-off sides and thinner walls for a slimmer, more minimal look. Durable and lustrous, its classic farmhouse roots and authenticity are always apparent. And like all Shaws sinks, the Shaker is made by hand to last a lifetime.



MS3018WH

Available Finishes:



White
WH



Parchment
PCT



Matte Grey
MG



Matte Black
MB

COLLECTION HIGHLIGHTS



WH



PCT



MG



MB

BAR/FOOD PREP



RC1818
page 15



MS2418
page 15



MS3018
page 15



MS3318
page 16

MAIN KITCHEN SINKS



MS3320
page 16



MS3518
page 17



MS3618
page 17



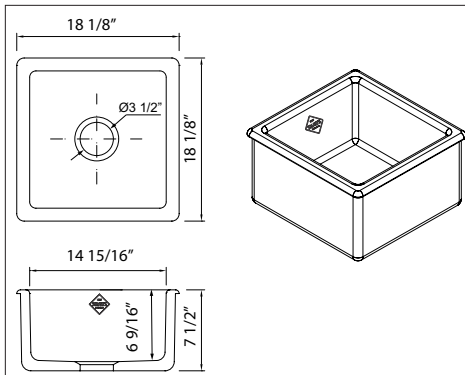
MS3918
page 17



UM2318
page 18



UM3018
page 18



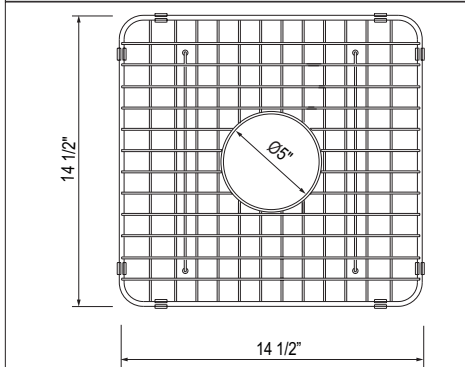
RC1818 18" Shaker Single Bowl Square Fireclay Bar/Food Prep Kitchen Sink



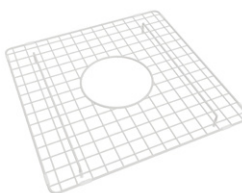
Suggested Retail Price

	WH	PCT	MG	MB
RC1818	968	1064	1064	1064

- 21" minimum cabinet size
- Basket strainer or extended disposal flange required for installation
- Due to ±2% dimensions, it is recommended that the cabinet construction is finalized upon receipt of the sink. Please refer to installation video on page B33
- For undermount, can use two QN25UM for improved support
- For matching wire sink grid, order WSG1818



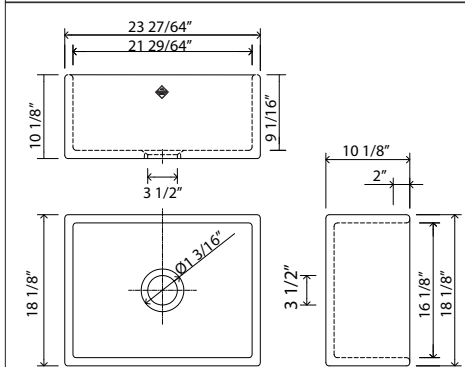
WSG1818 Wire Sink Grid For RC1818 Bar/Food Prep Kitchen Sink



Suggested Retail Price

	WH	SS	BS
WSG1818	229	229	229

- Biscuit (BS) finish coordinates with Parchment (PCT) sinks
- Minimizes scratches and wear on the bottom of the sink by creating a raised working surface



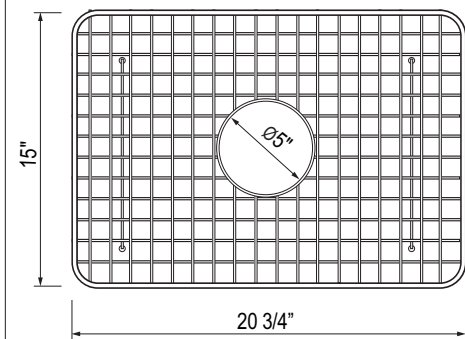
MS2418 24" Shaker Single Bowl Farmhouse Apron Front Fireclay Kitchen Sink



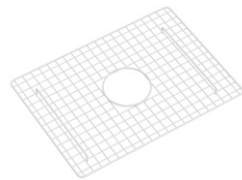
Suggested Retail Price

	WH	PCT	MG	MB
MS2418	1660	1826	1826	1826

- 27" minimum cabinet size
- Due to ±2% dimensions, it is recommended that the cabinet construction is finalized upon receipt of the sink. Please refer to installation video on page B33
- For matching wire sink grid order WSGMS2418
- Basket strainer or extended disposal flange required for installation



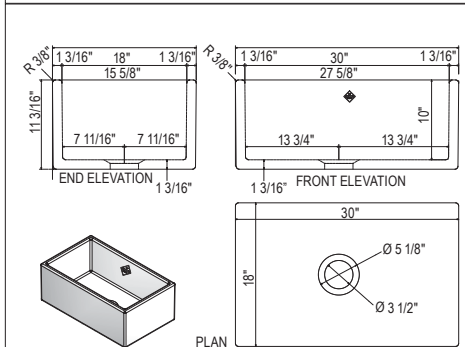
WSGMS2418 Wire Sink Grid For MS2418 Kitchen Sink



Suggested Retail Price

	WH	SS	BS
WSGMS2418	249	249	249

- Biscuit (BS) finish coordinates with Parchment (PCT) sinks
- Minimizes scratches and wear on the bottom of the sink by creating a raised working surface



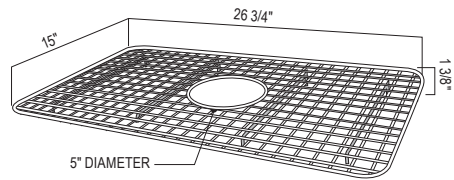
MS3018 30" Shaker Single Bowl Farmhouse Apron Front Fireclay Kitchen Sink



Suggested Retail Price

	WH	PCT	MG	MB
MS3018	1888	2078	2078	2078

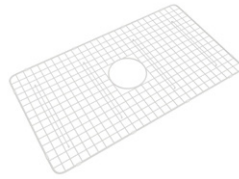
- 33" minimum cabinet size
- Due to ±2% dimensions, it is recommended that the cabinet construction is finalized upon receipt of the sink. Please refer to installation video on page B33
- Add artistic character to your white sink. See The Gallery by Shaws® on page B2
- For matching wire sink grid, order WSGMS3018
- Basket strainer or extended disposal flange required for installation



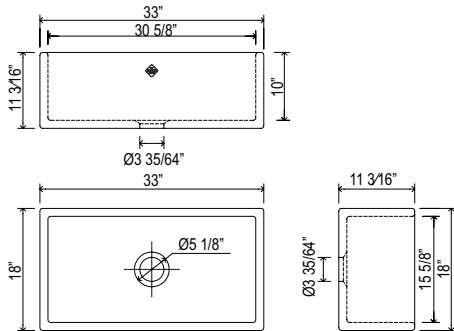
WSGMS3018 Wire Sink Grid For MS3018 Kitchen Sink

Suggested Retail Price

	WH	BS	SS
WSGMS3018	253	253	253



- Biscuit (BS) finish coordinates with Parchment (PCT) sinks
- Minimizes scratches and wear on the bottom of the sink by creating a raised working surface



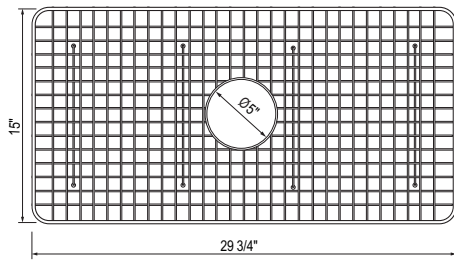
MS3318 33" Shaker Single Bowl Apron Front Fireclay Kitchen Sink

Suggested Retail Price

	WH	PCT	MG	MB
MS3318	1914	2101	2101	2101



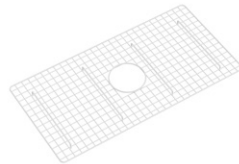
- 36" minimum cabinet size
- Due to ±2% dimensions, it is recommended that the cabinet construction is finalized upon receipt of the sink. Please refer to installation video on page B33
- Add artistic character to your white sink. See The Gallery by Shaws® on page B2
- For matching wire sink grid, order WSGMS3318
- Basket strainer or extended disposal flange required for installation



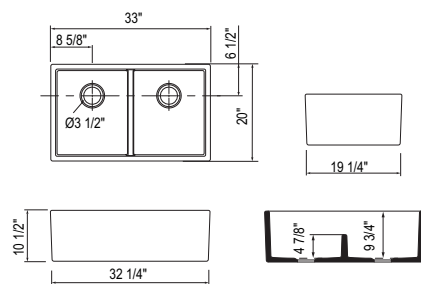
WSGMS3318 Wire Sink Grid For MS3318 Kitchen Sink

Suggested Retail Price

	WH	SS	BS
WSGMS3318	273	273	273



- Biscuit (BS) finish coordinates with Parchment (PCT) sinks
- Minimizes scratches and wear on the bottom of the sink by creating a raised working surface



MS3320 33" Shaker Low Divide Double Bowl Apron Front Fireclay Kitchen Sink

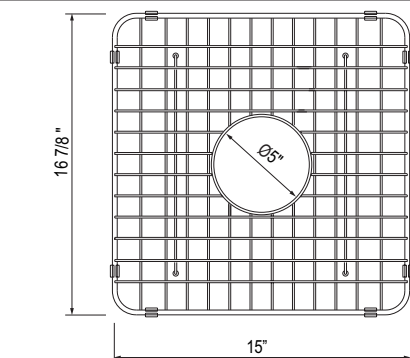
Suggested Retail Price

	WH	PCT	MG	MB
MS3320	2098	2298	2298	2298



- 36" minimum cabinet size
- Reversible install
- Due to ±2% dimensions, it is recommended that the cabinet construction is finalized upon receipt of the sink. Please refer to installation video on page B33
- For matching wire sink grid, order WSG3320
- Basket strainer or extended disposal flange required for installation

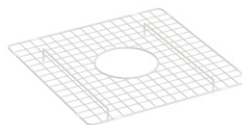
NEW



WSGMS3320 Wire Sink Grid for MS3320 Kitchen Sink

Suggested Retail Price

	WH	BS	SS
WSGMS3320	258	258	258



- Available: Spring 2021
- Biscuit (BS) finish coordinates with Parchment (PCT) sinks
- Minimizes scratches and wear on the bottom of the sink by creating a raised working surface

NEW



WH



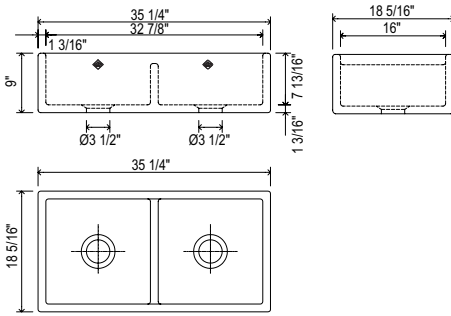
PCT



MG



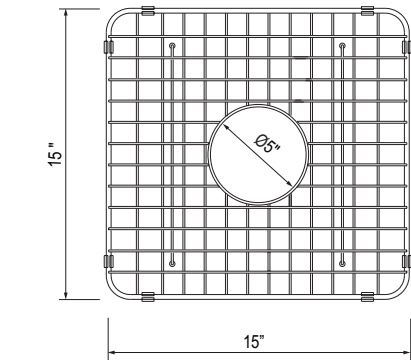
MB

**MS3518 35" Shaker Double Bowl Apron Front Fireclay Kitchen Sink****Suggested Retail Price**

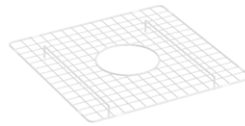
	WH	PCT	MG	MB
MS3518	2367	2573	2573	2573



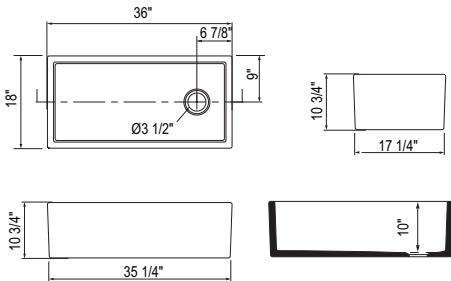
- 39" minimum cabinet size
- 50/50 Double Bowl
- Due to ±2% dimensions, it is recommended that the cabinet construction is finalized upon receipt of the sink. Please refer to installation video on page B33
- For matching wire sink grid, order WSGMS3518
- Basket strainer or extended disposal flange required for installation

**WSGMS3518 Wire Sink Grid for MS3518 Kitchen Sink****Suggested Retail Price**

	WH	BS	SS
WSGMS3518	215	215	215



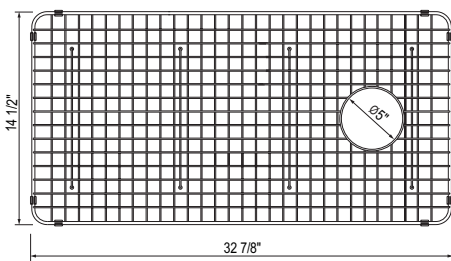
- Biscuit (BS) finish coordinates with Parchment (PCT) sinks
- Minimizes scratches and wear on the bottom of the sink by creating a raised working surface

**MS3618 36" Shaker Single Bowl Apron Front Fireclay Kitchen Sink****Suggested Retail Price**

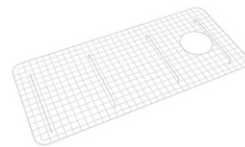
	WH	PCT	MG	MB
MS3618	1998	2198	2198	2198

**NEW**

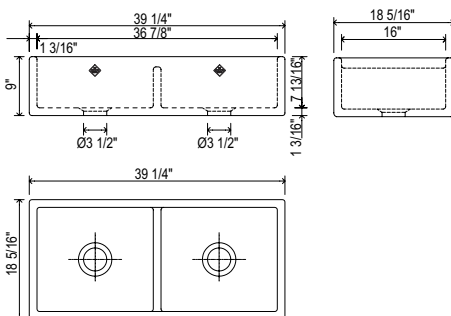
- 39" minimum cabinet size
- Reversible install
- Due to ±2% dimensions, it is recommended that the cabinet construction is finalized upon receipt of the sink. Please refer to installation video on page B33
- Add artistic character to your white sink. See The Gallery by Shaws® on page B2
- For matching wire sink grid, order WSGMS3618
- Basket strainer or extended disposal flange required for installation

**WSGMS3618 Wire Sink Grid for MS3618 Kitchen Sink****Suggested Retail Price**

	WH	BS	SS
WSGMS3618	298	298	298

**NEW**

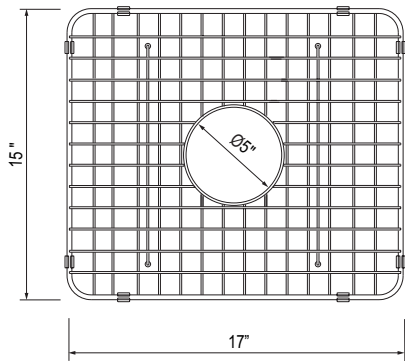
- Available: Spring 2021
- Biscuit (BS) finish coordinates with Parchment (PCT) sinks
- Minimizes scratches and wear on the bottom of the sink by creating a raised working surface

**MS3918 39" Shaker Double Bowl Apron Front Fireclay Kitchen Sink****Suggested Retail Price**

	WH	PCT	MG	MB
MS3918	2573	2779	2779	2779



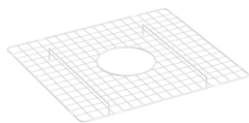
- 42" minimum cabinet size
- 50/50 Double Bowl
- Due to ±2% dimensions, it is recommended that the cabinet construction is finalized upon receipt of the sink. Please refer to installation video on page B33
- For matching wire sink grid, order WSGMS3918
- Basket strainer or extended disposal flange required for installation



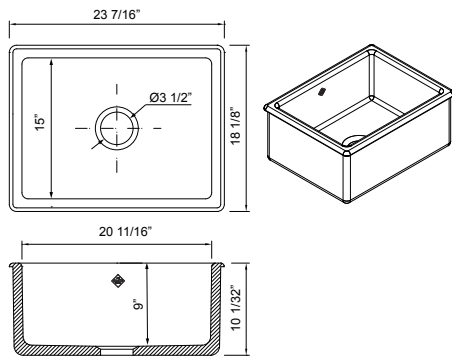
WSGMS3918 Wire Sink Grid for MS3918 Kitchen Sink

Suggested Retail Price

	WH	SS	BS
WSGMS3918	235	235	235



- Biscuit (BS) finish coordinates with Parchment (PCT) sinks
- Minimizes scratches and wear on the bottom of the sink by creating a raised working surface



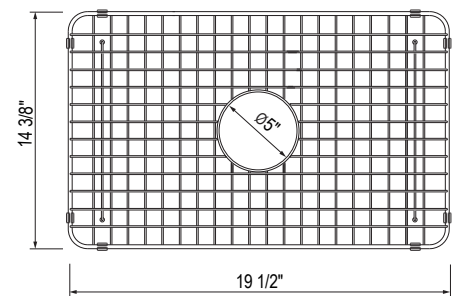
UM2318 23" Shaker Single Bowl Inset Or Undermount Fireclay Secondary Kitchen Or Laundry Sink

Suggested Retail Price

	WH	PCT	MG	MB
UM2318	1161	1278	1278	1278



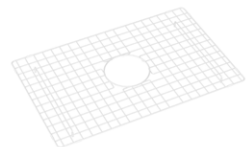
- 27" minimum cabinet size
- Due to ±2% dimensions, it is recommended that the cabinet construction is finalized upon receipt of the sink. Please refer to installation video on page B33
- For matching wire sink grid, order WSGUM2318
- Basket strainer or extended disposal flange required for installation



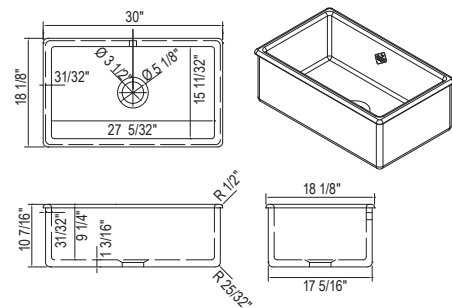
WSGUM2318 Wire Sink Grid For UM2318 Kitchen or Laundry Sink

Suggested Retail Price

	WH	SS	BS
WSGUM2318	244	244	244



- Biscuit (BS) finish coordinates with Parchment (PCT) sinks
- Minimizes scratches and wear on the bottom of the sink by creating a raised working surface



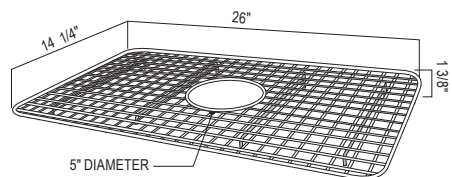
UM3018 30" Shaker Single Bowl Undermount Fireclay Kitchen Sink

Suggested Retail Price

	WH	PCT	MG	MB
UM3018	1715	1887	1887	1887



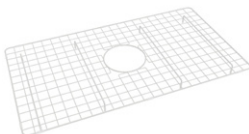
- 33" minimum cabinet size
- Due to ±2% dimensions, it is recommended that the cabinet construction is finalized upon receipt of the sink. Please refer to installation video on page B33
- For matching wire sink grid, order WSGUM3018
- Basket strainer or extended disposal flange required for installation



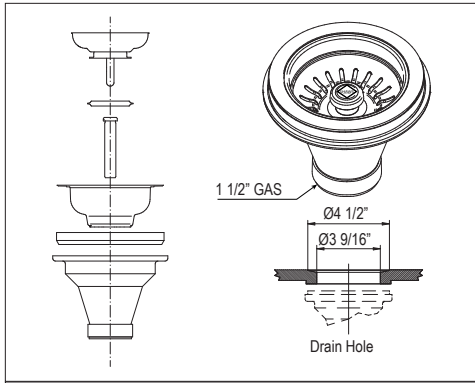
WSGUM3018 Wire Sink Grid For UM3018 Kitchen Sink

Suggested Retail Price

	WH	BS	SS
WSGUM3018	249	249	249



- Biscuit (BS) finish coordinates with Parchment (PCT) sinks
- Minimizes scratches and wear on the bottom of the sink by creating a raised working surface



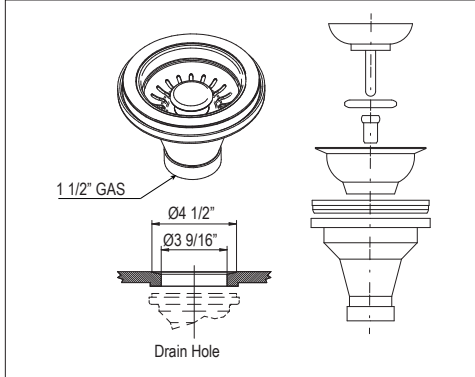
734 Manual Basket Strainer



Suggested Retail Price

WH	APC	PN	STN	MB	IB	EB	RG	TCB	EG
734 __	295	143	275	236	295	295	295	295	298

- Fits standard 3 1/2" diameter US drain openings
- Standard 1 1/2" male connection to drain plumbing
- Shorter mounting screws available for metal sink, part #737SCREW23



736 Manual Basket Strainer

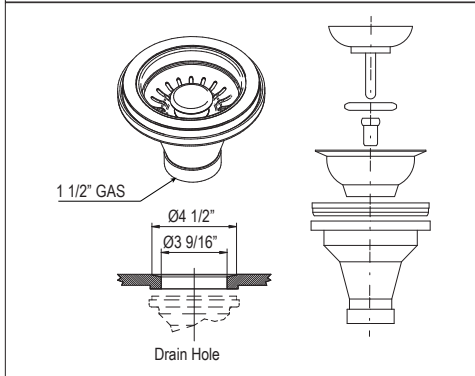


Suggested Retail Price

APC	
736 __	100

- Fits standard 3 1/2" diameter US drain openings
- Standard 1 1/2" male connection to drain plumbing
- Shorter mounting screws available for metal sinks, part #737SCREW23

ROHL



738 Manual Basket Strainer

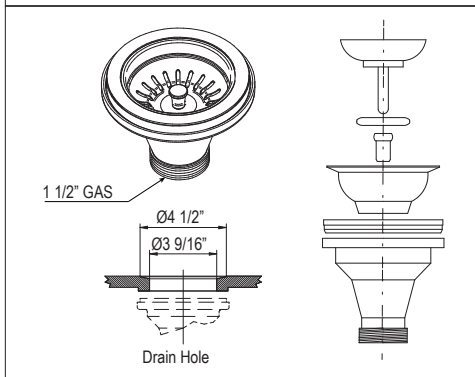


Suggested Retail Price

PN	STN	MB	EB	EG	IB	
738 __	198	198	208	298	298	298
RG	SG	TCB	ULB	BKS		
738 __	298	19	298	298	348	

- Fits standard 3 1/2" diameter US drain openings
- Standard 1 1/2" male connection to drain plumbing
- Shorter mounting screws available for metal sinks, part #737SCREW23

ROHL



733 Manual Basket Strainer

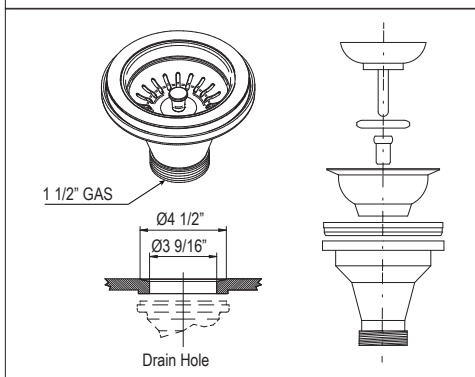


Suggested Retail Price

APC	
733 __	68

- Fits standard 3 1/2" diameter US drain openings
- Standard 1 1/2" male connection to drain plumbing
- Shorter mounting screws available for metal sinks, part #737SCREW23

ROHL



735 Manual Basket Strainer

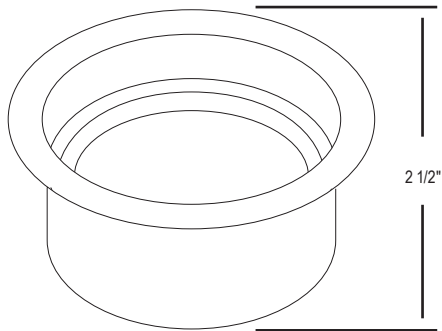


Suggested Retail Price

PN	STN	MB	EB	EG	IB	RG	
735 __	198	198	208	298	298	298	
SEG	TCB	ULB	BK	WH	BKS	BS	
735 __	298	298	298	208	198	348	208

- Fits standard 3 1/2" diameter US drain openings
- Standard 1 1/2" male connection to drain plumbing
- Shorter mounting screws available for metal sinks, part #737SCREW23

ROHL

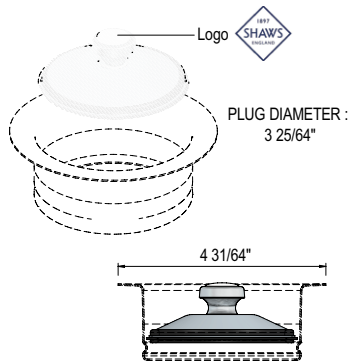


ISE10082 Extended Disposal Flange



Suggested Retail Price							
	WH	APC	PN	STN	MB	IB	EB
ISE10082 __	242	242	290	302	314	406	343
	TCB	SG	BK	BS	SEG	SS	EG
ISE10082 __	343	530	314	343	343	302	406

- Not compatible with Waste King
- For use with 745 or 744 disposal stopper

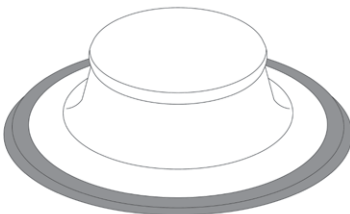


745 Disposal Stopper



Suggested Retail Price						
	APC	PN	STN	MB	IB	ULB
745 __	67	152	152	240	152	152

- For use with ISE10082 disposal flange
- Not compatible with Waste King
- Fits standard 3 1/2" diameter US drain openings



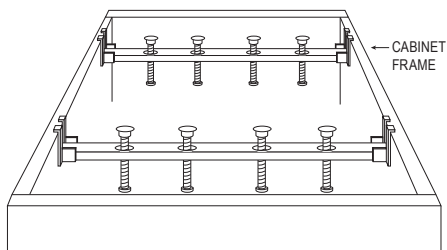
744 Disposal Stopper



Suggested Retail Price							
	APC	PN	STN	MB	EB	EG	IB
744 __	137	165	172	179	220	281	281
	RG	SEG	SG	TCB	WH	BKS	
744 __	214	268	445	220	137	137	

- Not compatible with Waste King
- Fits standard 3 1/2" diameter US drain openings

ROHL



QN25UM 25" Undermount Sink Kit



Suggested Retail Price	
	\$
QN25UM	132

- Allows easy undermount installation of all Shaws and Allia kitchen and bar/food prep sinks

ROHL

WATERSIDE™

A classic with a curve—that's the Waterside™ difference. Its main characteristic is its bow-fronted design, a rounded shape that makes its presence known with style. A softer take on the iconic apron front design, the curvaceous feature gives this farmhouse fireclay sink more interior space to tackle tasks. It makes a grand statement in traditional country kitchens, and creates a stunning attraction in rooms with transitional appeal. The Waterside is made by hand to last a lifetime, for those who prize originality and performance of the highest caliber.



RC3021WH

Available Finishes:



White
WH



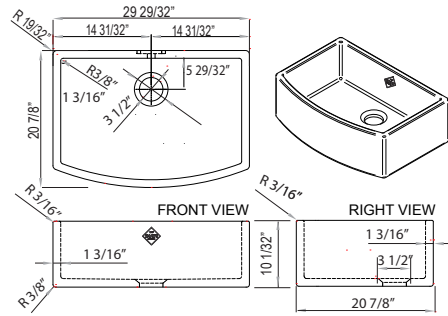
Parchment
PCT



Matte Grey
MG



Matte Black
MB

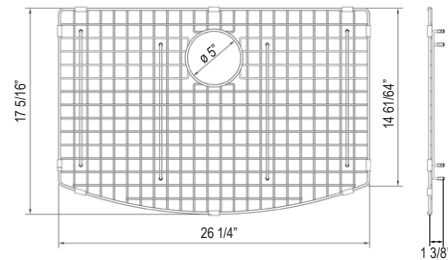


RC3021 30" Waterside Single Bowl Bowed Farmhouse Apron Front Fireclay Kitchen Sink

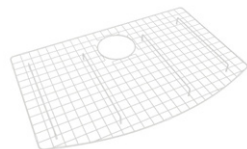


- 33" minimum cabinet size
- Basket strainer or extended disposal flange required for installation
- Due to ±2% dimensions, it is recommended that the cabinet construction is finalized upon receipt of the sink. Please refer to installation video on page B33
- For matching wire sink grid, order WSG3021

RC3021	Suggested Retail Price			
	WH	PCT	MG	MB
	2087	2297	2297	2297

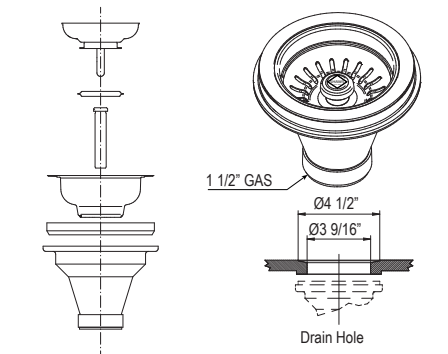


WSG3021 Wire Sink Grid For RC3021 Kitchen Sink



- Biscuit (BS) finish coordinates with Parchment (PCT) sinks
- Minimizes scratches and wear on the bottom of the sink by creating a raised working surface

WSG3021	Suggested Retail Price		
	WH	SS	BS
	256	256	256

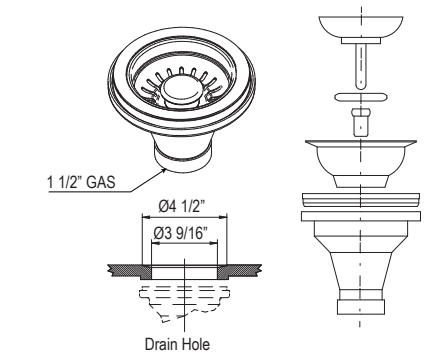


734 Manual Basket Strainer



734	Suggested Retail Price									
	WH	APC	PN	STN	MB	IB	EB	RG	TCB	EG
	295	143	275	236	295	295	295	295	295	298

- Fits standard 3 1/2" diameter US drain openings
- Standard 1 1/2" male connection to drain plumbing
- Shorter mounting screws available for metal sink, part #737SCREW23

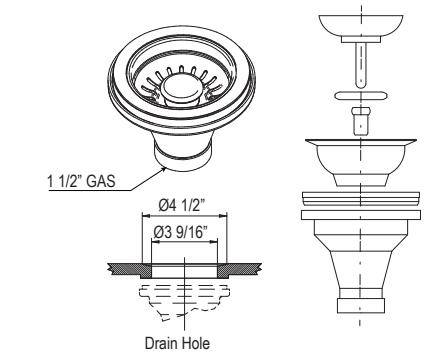


736 Manual Basket Strainer



736	Suggested Retail Price
	APC
	100

- Fits standard 3 1/2" diameter US drain openings
- Standard 1 1/2" male connection to drain plumbing
- Shorter mounting screws available for metal sinks, part #737SCREW23



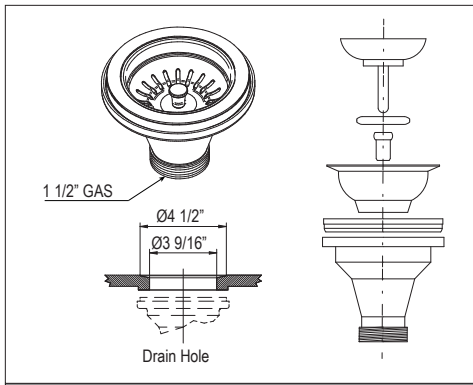
738 Manual Basket Strainer



738	Suggested Retail Price						
	PN	STN	MB	EB	EG	IB	
	198	198	208	298	298	298	
738	Suggested Retail Price						
	RG	SG	TCB	ULB	BKS		
298	19	298	298	348			

- Fits standard 3 1/2" diameter US drain openings
- Standard 1 1/2" male connection to drain plumbing
- Shorter mounting screws available for metal sinks, part #737SCREW23





733 Manual Basket Strainer

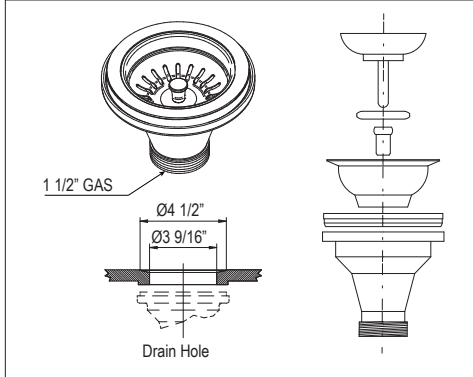


Suggested Retail Price

	APC
733 __	68

- Fits standard 3 1/2" diameter US drain openings
- Standard 1 1/2" male connection to drain plumbing
- Shorter mounting screws available for metal sinks, part #737SCREW23

ROHL



735 Manual Basket Strainer

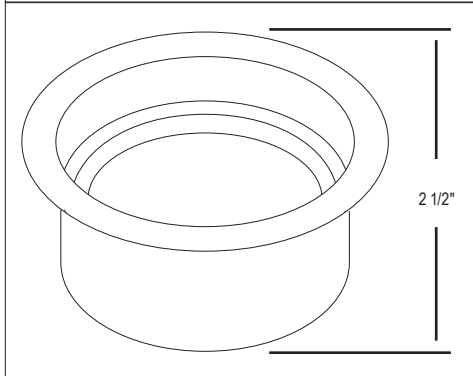


Suggested Retail Price

	PN	STN	MB	EB	EG	IB	RG
735 __	198	198	208	298	298	298	298
	SEG	TCB	ULB	BK	WH	BKS	BS
735 __	298	298	298	208	198	348	208

- Fits standard 3 1/2" diameter US drain openings
- Standard 1 1/2" male connection to drain plumbing
- Shorter mounting screws available for metal sinks, part #737SCREW23

ROHL



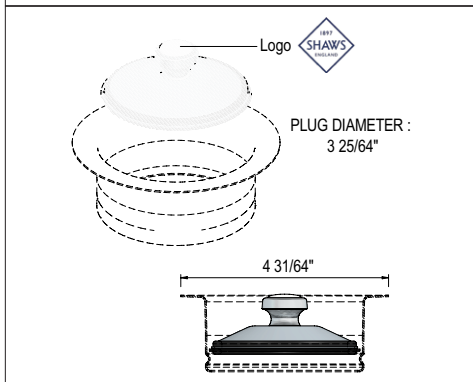
ISE10082 Extended Disposal Flange



Suggested Retail Price

	WH	APC	PN	STN	MB	IB	EB
ISE10082 __	242	242	290	302	314	406	343
	TCB	BS	BK	SEG	EG	SG	SS
ISE10082 __	343	343	314	343	406	530	302

- Not compatible with Waste King
- For use with 745 or 744 disposal stopper



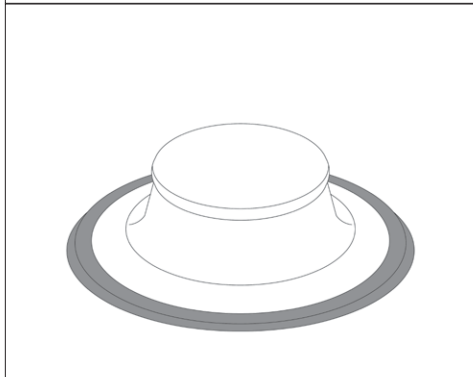
745 Disposal Stopper



Suggested Retail Price

	APC	PN	STN	MB	IB	ULB
745 __	67	152	152	240	152	152

- For use with ISE10082 disposal flange
- Not compatible with Waste King
- Fits standard 3 1/2" diameter US drain openings



744 Disposal Stopper

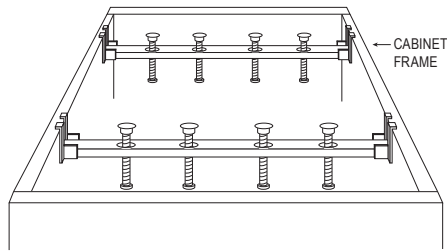


Suggested Retail Price

	APC	PN	STN	MB	EB	EG	IB
744 __	137	165	172	179	220	281	281
	RG	SEG	SG	TCB	WH	BKS	
744 __	214	268	445	220	137	137	

- Not compatible with Waste King
- Fits standard 3 1/2" diameter US drain openings

ROHL



CABINET FRAME

QN25UM 25" Undermount Sink Kit

Suggested Retail Price

	\$
QN25UM	132



- Allows easy undermount installation of all Shaws and Allia kitchen and bar/food prep sinks

ROHL

SHAWS® BATH SINKS



LANCASTER™



SB1800
page 26



SB1715
page 26



RB1815
page 26

SHAKER™



SB2015
page 30



SB1814
page 30

WATERSIDE™



SB2321
page 34

LANCASTER™

The Lancaster™ is the original fireclay sink designed especially for bathrooms. Available in round and square vessel shapes, and of course, the classic apron front undermount design, the Lancasters' definitive silhouettes, double-glazed luster, and thick walls tie décor together in traditional bathrooms, and add showcase elements in baths with a transitional style. The Lancaster sticks to a hundred-plus year-old tradition of one master craftsman painstakingly creating each sink by hand for durability and beauty that lasts a lifetime.

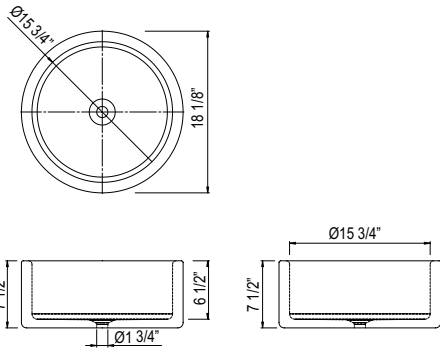


SB1800WH

Available Finishes:



White
WH



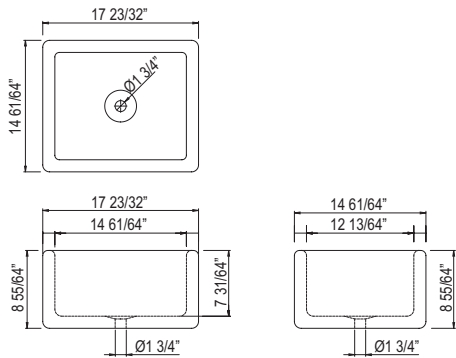
SB1800 Lancaster Round Above Counter Lavatory Fireclay Sink



- Above counter installation
- No overflow

Suggested Retail Price

	WH
SB1800	710



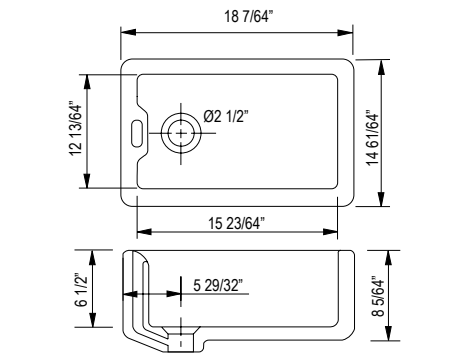
SB1715 Lancaster Rectangular Above Counter Lavatory Fireclay Sink



- Above counter installation
- No overflow

Suggested Retail Price

	WH
SB1715	526



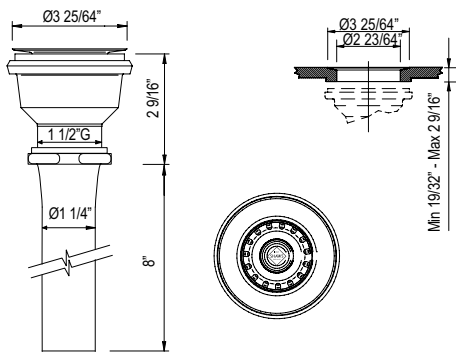
RB1815 Lancaster Lavatory Fireclay Sink



- 21" minimum cabinet size
- Due to ±2% dimensions, it is recommended that the cabinet construction is finalized upon receipt of the sink
- For lavatory installations, only use the 9664 drain with the RB1815
- For kitchen installations, only use 2054 drain with the RB1815

Suggested Retail Price

	WH
RB1815	572



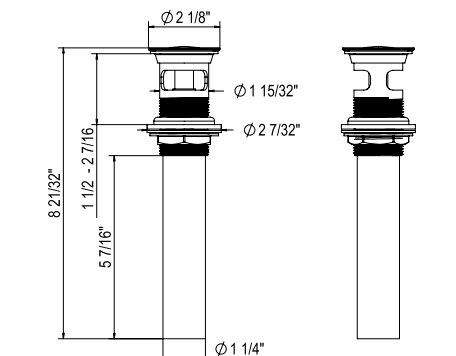
9664 Manual Basket Strainer



- Designed to fit RB1815WH for lavatory installations
- Fits 2 1/2" diameter drain openings
- For 1 1/4" lavatory drain pipe connection

Suggested Retail Price

	APC	PN	STN	MB	IB	EB	EG
9664	174	208	217	225	245	245	245



0127DOF Push Drain With Overflow

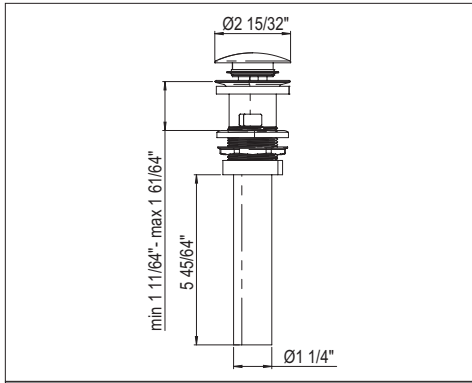


- 6" tail piece

Suggested Retail Price

	APC	PN	STN	MB	AG
0127DOF	128	154	160	167	182





CC2310FWO Universal Push Drain

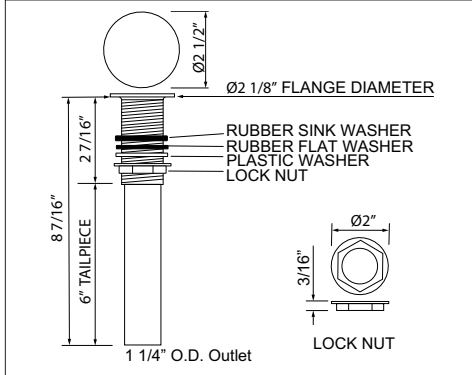


Suggested Retail Price

	APC	STN	MB	SG
CC2310FWO	132	165	172	188

- For sinks with or without overflow hole
- 6" tail piece

ROHL



5445 Push Drain Without Overflow

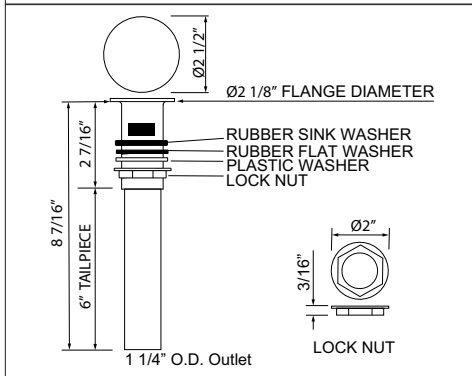


Suggested Retail Price

	APC	PN	STN	EB	EG	TCB	ULB
5445	294	351	366	414	414	414	414

- 6" tail piece

ROHL



5447 Push Drain With Overflow

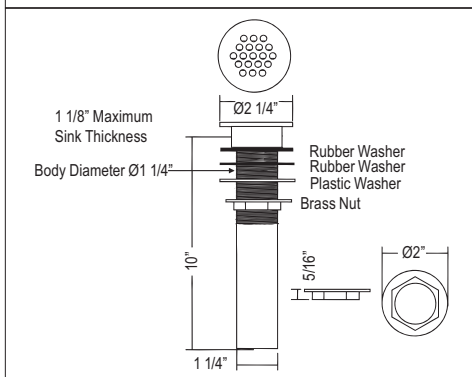


Suggested Retail Price

	APC	PN	STN	MB	EB	EG	IB	TCB	ULB
5447	294	351	366	380	414	414	414	414	414

- 6" tail piece

ROHL



6442 Grid Drain Without Overflow

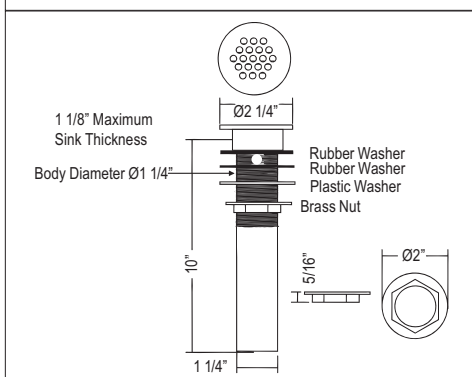


Suggested Retail Price

	APC	PN	STN	IB	TCB	ULB
6442	257	308	321	542	439	365

- 10" tail piece

ROHL



7444 Grid Drain With Overflow

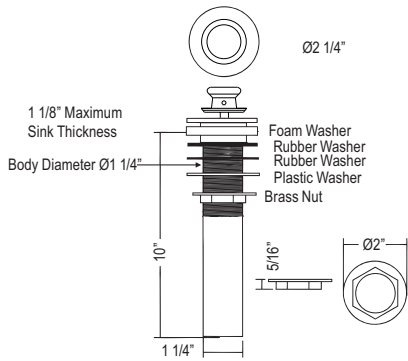


Suggested Retail Price

	APC	PN	STN	IB	TCB
7444	257	308	321	542	439

- 10" tail piece

ROHL



8446 Lift And Turn Drain Without Overflow

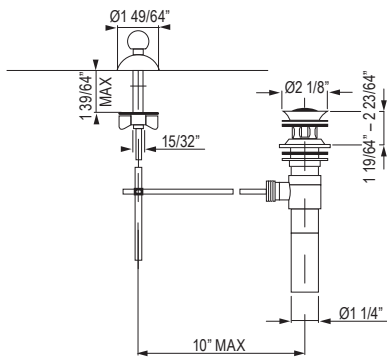


- 10" tail piece

ROHL

Suggested Retail Price

	APC	PN	STN	TCB
8446 _ _	290	346	360	731



CNZREMOTE Remote Pop-Up Set



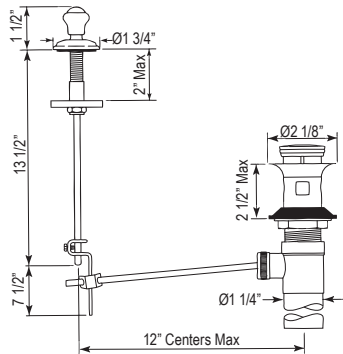
- Not for use with vessel bowls or bowls without overflow



ROHL

Suggested Retail Price

	APC	PN	STN	IB	TCB
CNZREMOTE _ _	204	245	320	320	320



U.6702 Remote Pop-Up Set



- For use with U.3790L and U.3791X wall mount lavatory faucets

Suggested Retail Price

	APC	PN	STN	EB	EG	ULB
U.6702 _ _	284	340	355	403	403	403

SHAKER™

Shaker™ lavatory sinks bring the qualities of beauty and authenticity into the bathroom. The Collection comes in undermount and drop-in forms, crafted by hand out of inherently anti-microbial heavy-duty fireclay. Multiple layers of glaze provide outstanding luster and resilience to create an impressive statement in any bathroom. All Shaws® sinks are individually crafted to last for life.

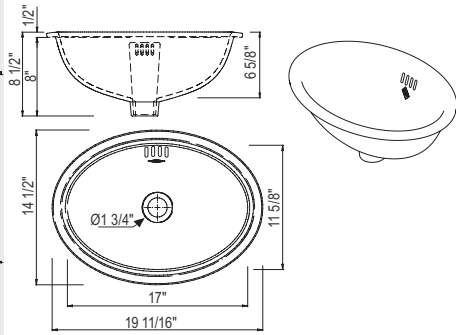


SB1814WH

Available Finishes:



White
WH



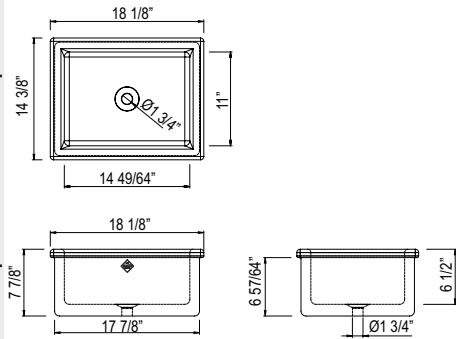
SB2015 Shaker Oval Undermount Lavatory Fireclay Sink

Suggested Retail Price

	WH
SB2015 __	683



- Includes overflow
- Due to ±2% dimensions, it is recommended that the cabinet construction is finalized upon receipt of the sink



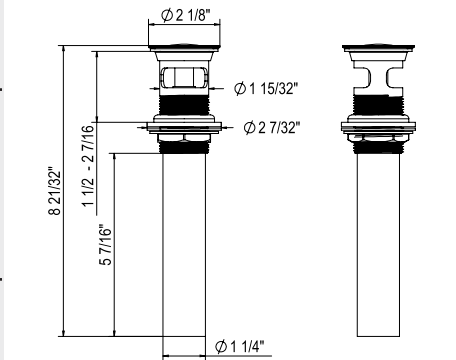
SB1814 Shaker Rectangular Undermount Or Drop In Lavatory Fireclay Sink

Suggested Retail Price

	WH
SB1814 __	473



- Undermount or drop-in installation
- No overflow
- Due to ±2% dimensions, it is recommended that the cabinet construction is finalized upon receipt of the sink



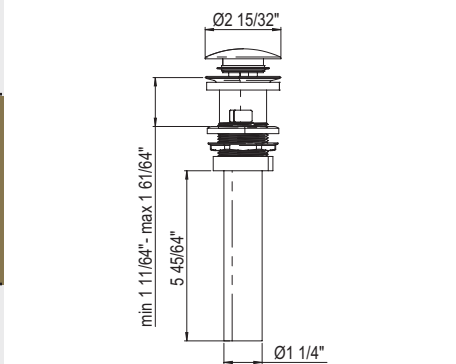
0127DOF Push Drain With Overflow

Suggested Retail Price

	APC	PN	STN	MB	AG
0127DOF __	128	154	160	167	182



- 6" tail piece



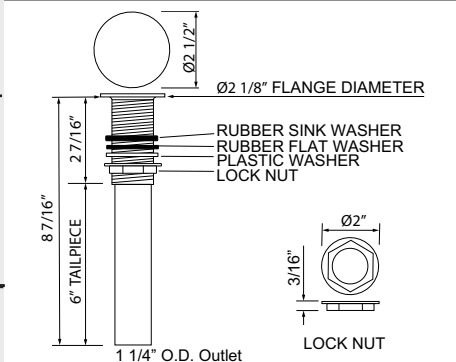
CC2310FWO Universal Push Drain

Suggested Retail Price

	APC	STN	MB	SG
CC2310FWO __	132	165	172	188



- For sinks with or without overflow hole
- 6" tail piece



5445 Push Drain Without Overflow

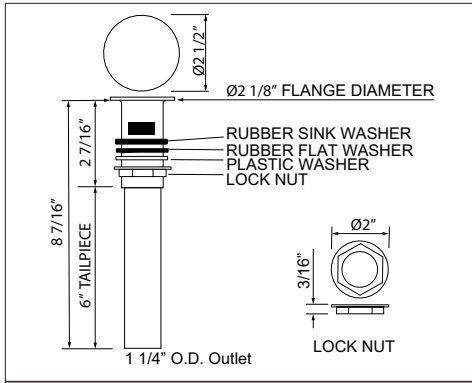
Suggested Retail Price

	APC	PN	STN	EB	EG	IB	TCB	ULB
5445 __	294	351	366	414	414	414	414	414



- 6" tail piece





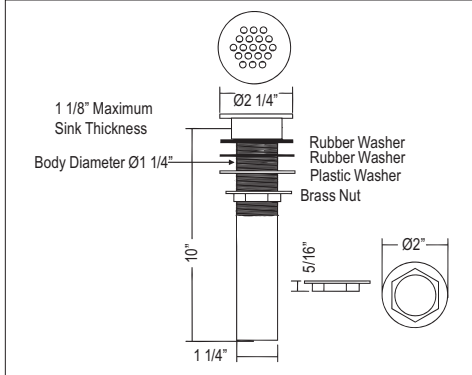
5447 Push Drain With Overflow



Suggested Retail Price

	APC	PN	STN	MB	EB	EG	IB	TCB	ULB
5447 __	294	351	366	380	414	414	414	414	414

- 6" tail piece



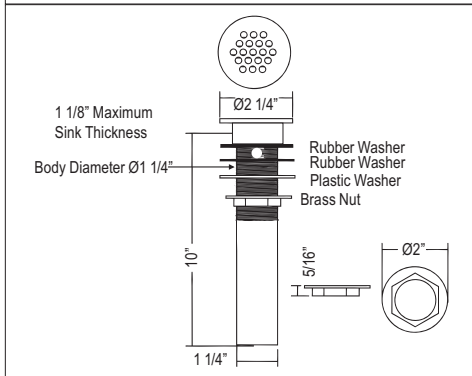
6442 Grid Drain Without Overflow



Suggested Retail Price

	APC	PN	STN	EB	EG	FB	IB	TCB	ULB
6442 __	257	308	321	439	542	669	542	439	365

- 10" tail piece



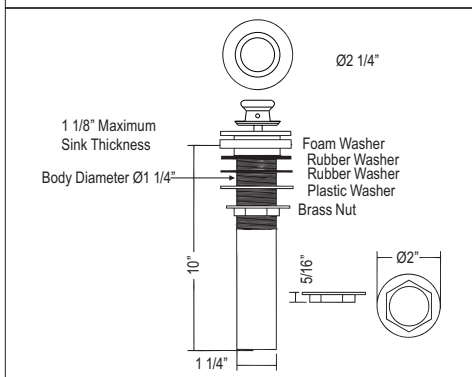
7444 Grid Drain With Overflow



Suggested Retail Price

	APC	PN	STN	EB	EG	TCB
7444 __	257	308	321	439	542	439

- 10" tail piece



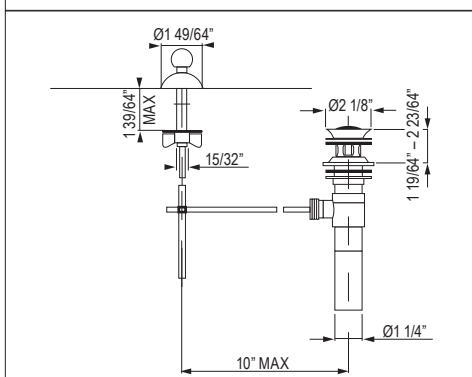
8446 Lift And Turn Drain Without Overflow



Suggested Retail Price

	APC	PN	STN	EB	EG	TCB
8446 __	290	346	360	731	891	731

- 10" tail piece



CNZREMOTE Remote Pop-Up Set



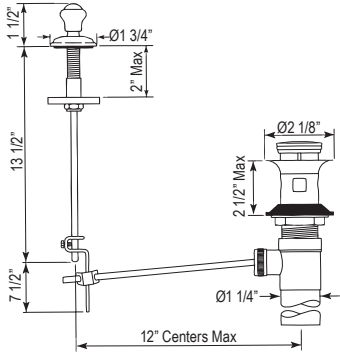
Suggested Retail Price

	APC	PN	STN	IB	TCB
CNZREMOTE __	204	245	320	320	320

- Not for use with vessel bowls or bowls without overflow



U.6702 Remote Pop-Up Set



Suggested Retail Price

	APC	PN	STN	EB	EG	ULB
U.6702	284	340	355	403	403	403

- For use with U.3790L and U.3791X wall mount lavatory faucets

WATERSIDE™

The Waterside™ fireclay bath sink takes the iconic apron front and gives it a softer, rounder shape. No hard edges here, instead the Waterside presents a graceful silhouette with classic charm. The curved, bow-front design stands out as a design element of note, one that adds authenticity to traditional bathrooms, and gives transitional décor an added touch of timeless character. The Waterside sink follows a 100+ year tradition of handcraft, each one painstaking and lovingly made to last for life.

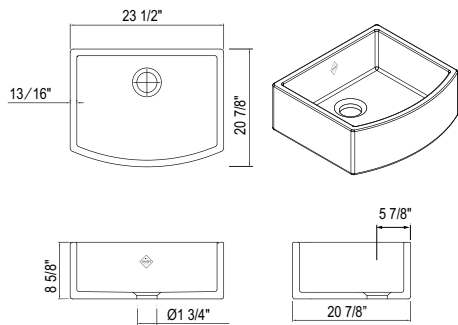


RC3017WH

Available Finishes:



White
WH



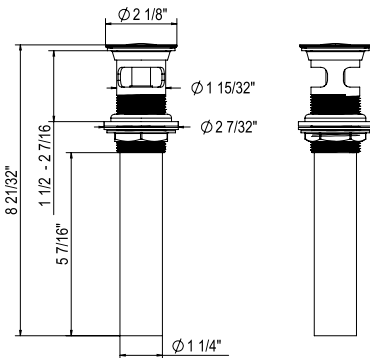
SB2321 Waterside Apron Front Lavatory Fireclay Sink



- Apron front installation
- No overflow
- Due to ±2% dimensions, it is recommended that the cabinet construction is finalized upon receipt of the sink

Suggested Retail Price

	WH
SB2321 __	1051



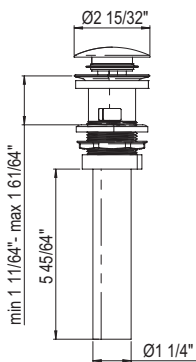
0127DOF Push Drain With Overflow



- 6" tail piece

Suggested Retail Price

	APC	PN	STN	MB	AG
0127DOF __	128	154	160	167	182



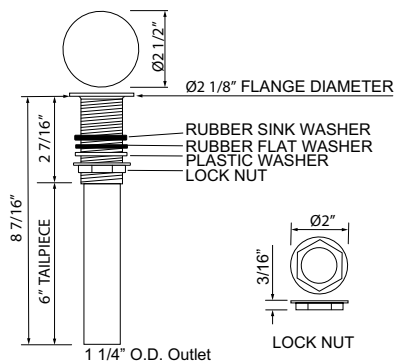
CC2310FWO Universal Push Drain



- For sinks with or without overflow hole
- 6" tail piece

Suggested Retail Price

	APC	STN	MB	SG
CC2310FWO __	132	165	172	188



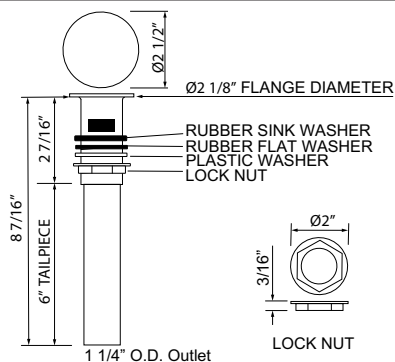
5445 Push Drain Without Overflow



- 6" tail piece

Suggested Retail Price

	APC	PN	STN	EB	EG	IB	TCB	ULB
5445 __	294	351	366	414	414	414	414	414



5447 Push Drain With Overflow

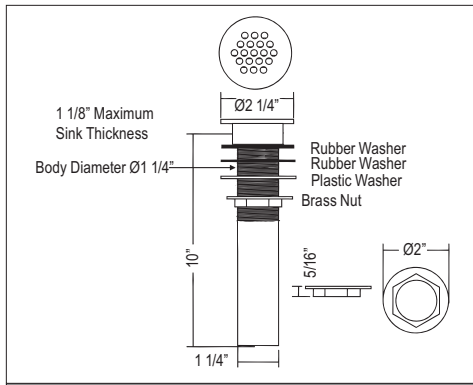


- 6" tail piece

Suggested Retail Price

	APC	PN	STN	MB	EB	EG	IB	TCB	ULB
5447 __	294	351	366	380	414	414	414	414	414





6442 Grid Drain Without Overflow

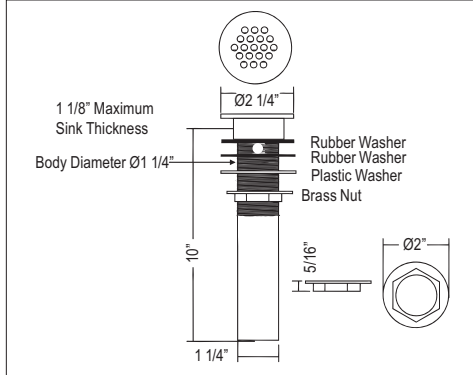


Suggested Retail Price

	APC	PN	STN	EB	EG	FB	IB	TCB	ULB
6442 _ _	257	308	321	439	542	669	542	439	365

- 10" tail piece

ROHL



7444 Grid Drain With Overflow

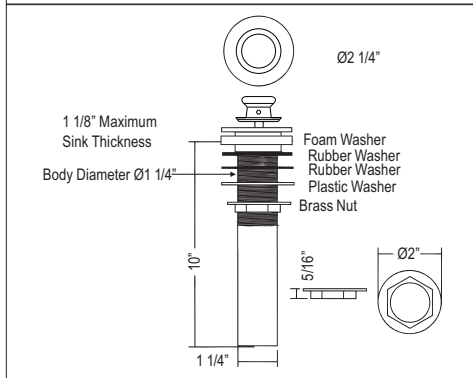


Suggested Retail Price

	APC	PN	STN	EB	EG	TCB
7444 _ _	257	308	321	439	542	439

- 10" tail piece

ROHL



8446 Lift And Turn Drain Without Overflow

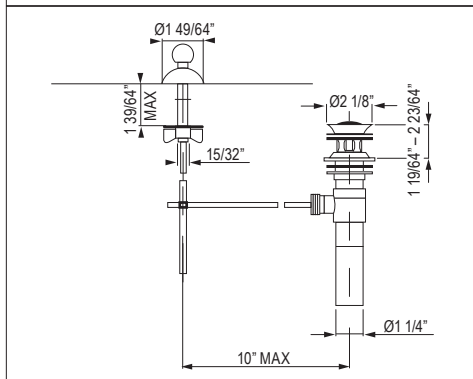


Suggested Retail Price

	APC	PN	STN	EB	EG	TCB
8446 _ _	290	346	360	731	891	731

- 10" tail piece

ROHL



CNZREMOTE Remote Pop-Up Set

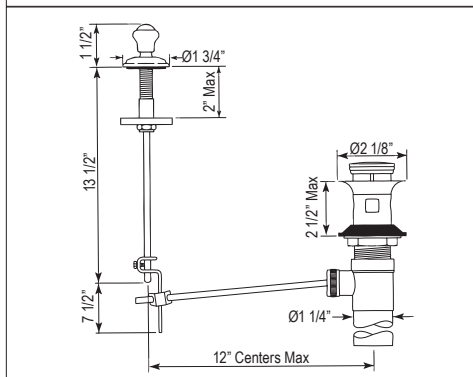


Suggested Retail Price

	APC	PN	STN	IB	TCB
CNZREMOTE _ _	204	245	320	320	320

- Not for use with vessel bowls or bowls without overflow

ROHL



U.6702 Remote Pop-Up Set



Suggested Retail Price

	APC	PN	STN	EB	EG	ULB
U.6702 _ _	284	340	355	403	403	403

- For use with U.3790L and U.3791X wall mount lavatory faucets

ROHL

SHAWS® CARE AND MAINTENANCE

Authentically crafted fireclay sinks are made of a unique clay capable of being fired at extremely high temperatures. These high temperatures cause the clay and glaze to fuse together, virtually creating an entirely new form. This clay is found in limited regions around the world, making true fireclay sinks some of the most durable sink options. Resistant to acid, alkali, scratches and impact, many fireclay sinks outlive the very spaces for which they were created. Our fireclay sinks are crafted with environmentally friendly materials and are completely lead free and recyclable.

- We recommend using a soft sponge or cloth and a mild abrasive. Daily cleaning with abrasives or abrasive pads will not harm the surface.
- Each sink in the Shaws® collection is handmade according to its 1897 design. Our designs tend to be flat on the sink bottom. To avoid water spotting, wipe down the sink bottom after use. Waxing the sink will encourage drainage.
- Fireclay sinks from Shaws® are constructed with a durable glaze for years of beautiful performance. On the occasion that a metal pot or pan may leave a mark on the surface of the sink, we recommend Astonish Cleaner. A mild abrasive cleaner, like Bon Ami® is also acceptable.
- While no colored sink of any kind is impervious to damage, fireclay resists chips, scratches and stains better than other materials. In the rare instance of a chip, color-matched repair kits are available.



TERMS AND CONDITIONS OF SALE ON ALL PRODUCTS

PRICES:

Prices and terms are subject to change without notice. Customer is responsible for payment of all applicable taxes.

FREIGHT:

Orders \$3,000 or greater (not including tubs, net sales) = Free Freight Allowed (FFA)
 Orders \$1 up to \$2,999 (not including tubs, net sales) with any Kitchen Sink(s) = \$155 Flat Fee
 Orders \$1 up to \$2,999 (not including tubs, net sales) with Brass and Lavatory Sink(s) = \$45 Flat Fee
 Orders with a bathtub = \$200 additional flat fee per tub
 Components and Spare Parts only (No complete faucets or fixtures) = Free Freight Allowed (FFA)
 Shipper reserves the right to ship merchandise by the method of our choosing.

ALL NON-INDUSTRY RELATED SHIP TO ADDRESSES, INCLUDING RESIDENTIAL DROP SHIP ORDERS:

Any order that is drop shipped to a consumer's home will be assessed a \$25.00 charge above all standard shipping and handling fees. \$100 additional for each bathtub. Drop Ship Fee Buy Line must be on the Original Purchase Order for the order to be processed, phone number for delivery set up required.

PAYMENT TERMS:

All orders are due in 30 days from date of invoice unless agreed upon in writing by an officer of ROHL LLC.

RETURNS:

Products may not be returned for credit or replacement without prior inspection and written authorization from ROHL LLC. There will be a charge of 25%* to cover handling and restocking for all authorized returns. Only merchandise currently appearing in our price list, which is in resalable condition, will be considered by ROHL LLC for return or replacement. Customer dissatisfaction is not a reason for return.

English Bronze, Old Iron, Tuscan Brass, Italian Brass, English Gold, Unlacquered Brass, French Brass, Satin Gold, Parchment and Pergame have acceptable variations that are normal and enhance the custom nature of each finish. Variation is not a reason for return.

LABOR:

No labor charges of any kind will be allowed.

CLAIMS:

All claims of lost, damaged or incorrectly shipped materials must be made to ROHL LLC within 10 days after receipt of goods. Any claims outside this time may be rejected by ROHL LLC. Service and replacement parts may be subject to a \$25 processing fee.

SHIPPING DAMAGE OR LOSS:

Delivery to the carrier constitutes delivery to customer. Any claim for loss or damage in transit should be made promptly by the customer to the carrier. Our responsibility ceases when the goods are delivered in good condition to the carrier.

PRODUCT CHANGES:

We reserve the right to discontinue, alter, modify, or redesign products without liability for the obsolescence of customers' inventories.

SPECIAL ORDERS:

All special order products are non-returnable and non-cancelable once the customer order is received by ROHL LLC. These orders may have a longer lead time than standard ROHL LLC products.

GENERAL:

The possession of this price list by anyone will not be accepted by ROHL LLC as an obligation or offer to sell any goods listed herein. All prices herein quoted supersede all prior price lists and bulletins. Existing trade terms continue in effect.

No order, contract or agreement will become an obligation until accepted in writing by ROHL LLC.

ROHL LLC does not have field service technicians. We are a sales and marketing company only. Sales Representatives do not perform in-home service.

Product that is handmade and is within tolerance of published dimensions will not be considered for return.

Shaws sinks continue to be handmade since the 1897 original design. Each sink is designed with a slight pitch to the drain, so standing water is normal. Standing water is not a reason for return.

* For details, please refer to the House of Rohl Freight Program

These Terms and Conditions shall be deemed to be a part of all such acceptance by ROHL LLC and shall supersede any conflicting provisions of customer's purchase order. These Terms and Conditions, any sales hereunder, and any claim, dispute, or controversy between the parties arising from or relating to these Terms and Conditions, their interpretation, or the breach, termination, or validity thereof, will be governed by and construed in accordance within the laws of the United States, without regard to conflict-of-laws rule. The parties hereby agree that the United Nations Convention on Contracts for the International Sale of Goods will not apply to these Terms and Conditions and to the purchase and sale of products hereunder and any statute which would otherwise apply which implements such convention is expressly excluded.

Other than any express limited warranty granted by ROHL LLC with respect to a product, ROHL LLC disclaims all warranties and conditions, expressed or implied, statutory or otherwise, with respect to the products, including, without limitation, any implied warranty of quality, merchantability or fitness for a particular purpose, as well as warranties arising from course of dealing and usage of trade, and ROHL LLC does not represent or warrant that any product will meet the customer's requirements.

Customer may not use the ROHL LLC name or any ROHL LLC trademark, trade name, service mark, logo, or copyrighted work for any purpose. The sale of products by ROHL LLC does not constitute a license, implied or otherwise, for the use of any patents or know-how of others, nor does it constitute a license, implied or otherwise, on patents or know-how of ROHL LLC.

ROHL LLC WILL NOT BE LIABLE FOR ANY LOSS, DAMAGE OR INJURY RESULTING FROM DELAY IN DELIVERY OF THE PRODUCTS OR FOR ANY FAILURE TO PERFORM DUE TO CIRCUMSTANCES BEYOND OUR CONTROL OR THE CONTROL OF OUR SUPPLIERS, INCLUDING WITHOUT LIMITATION FAILURE OR DELAY IN TRANSPORTATION, ACTS OF ANY GOVERNMENT OR ANY AGENCY OR SUBDIVISION THEREOF, JUDICIAL ACTION, LABOUR DISPUTES, FIRE, ACCIDENT, ACTS OF NATURE, SHORTAGE OF LABOUR, FUEL OR RAW MATERIAL, OR MACHINERY OR TECHNICAL FAILURE. ROHL LLC'S MAXIMUM LIABILITY, IF ANY, FOR ALL DAMAGES, INCLUDING WITHOUT LIMITATION CONTRACT DAMAGES AND DAMAGES FOR INJURIES TO PERSONS OR PROPERTY, WHETHER ARISING FROM OUR BREACH OF THESE TERMS, BREACH OF WARRANTY, NEGLIGENCE, STRICT LIABILITY OR OTHER TORT WITH RESPECT TO THE PRODUCTS, IS LIMITED TO AN AMOUNT NOT TO EXCEED THE THEN-CURRENT WHOLESALE PRICE OF THE PRODUCTS. IN NO EVENT WILL ROHL LLC BE LIABLE TO CUSTOMER FOR ANY INCIDENTAL, CONSEQUENTIAL OR SPECIAL DAMAGES, INCLUDING WITHOUT LIMITATION LOST REVENUES AND PROFITS, EVEN IF WE HAVE BEEN ADVISED OF THE POSSIBILITY OF SUCH DAMAGES.



LIMITED WARRANTY

Most products or parts carry “Limited Warranties” against manufacturing defects as defined below.

Shaws Fireclay Kitchen Sinks	Limited Lifetime Warranty
Air Gaps, Coverplates, Sink Hole Covers, Air Switches	2-year Limited Warranty
Kitchen Wire Sink Grids	1-year Limited Warranty
Kitchen Drains, Basket Strainers	2-year Limited Warranty
Bath Sinks, Sanitary Ware/ Bath Fixture Accessories	1-year Limited Warranty

ROHL's Promise — A “Limited Warranty” means ROHL LLC will provide free of charge, at its option, replacement part(s) or product (or a comparable alternative product) to replace those which have proven defective in materials or workmanship within the warranty period on that product or part as stated above.

ROHL LLC will not assume liability for labor expended, freight cost or damages accruing from the use of the material purchased from us. If material is defective, the limit of damage is the price of the defective material. Proof of purchase (original sales receipt) from the original consumer purchaser must be made available to ROHL LLC for all warranty claims. The warranty is not transferable and is extended solely to the original purchaser of the product, so long as the product remains in its original installation.

Warranty Exclusions and Disclaimers — This warranty is for normal domestic use only and excludes defect or injury caused by or resulting from misuse, abuse, neglect, accidental damage or improper installation.

IN NO EVENT WILL ROHL BE LIABLE FOR ANY SPECIAL, INCIDENTAL, OR CONSEQUENTIAL DAMAGES BASED ON BREACH OF WARRANTY, BREACH OF CONTRACT, NEGLIGENCE, STRICT TORT, OR ANY OTHER LEGAL THEORY. DAMAGES THAT ROHL WILL NOT BE RESPONSIBLE FOR INCLUDE, BUT ARE NOT LIMITED TO: LOSS OF PROFITS; LOSS OF SAVINGS OR REVENUE; LOSS OF USE OF THE PRODUCT OR ANY ASSOCIATED EQUIPMENT; COST OF CAPITAL; COST OF ANY SUBSTITUTE EQUIPMENT, FACILITIES, OR SERVICES; DOWNTIME; THE CLAIMS OF THIRD PARTIES, INCLUDING CUSTOMERS; AND DAMAGES OR INJURY TO PROPERTY.

This warranty gives you specific legal rights and you may also have other rights that vary from state to state.

In addition, the Limited Lifetime Warranty and term Limited Warranties do not apply to the replacement of components where damage is caused by normal wear and tear, including without limitation excess mineral deposits from water. As a special note, avoid all cleaning products that contain abrasives, ammonia, bleach and alcohol. They may damage the finish. Also, use only non-silicone caulking adhesive or plumbers putty for installation. Do not use lead based acidic curing adhesive or mastic when installing product. Silicone caulking may also degrade brass material. The use of Blue RTV silicone during installation will void the product warranty. Due to the harsh environment of sun, wind, rain and snow, installing ROHL products for outdoor use voids the warranty.

General Disclaimer — All warranties other than the express Limited Warranty herein contained, including but not limited to any implied warranty of merchantability or fitness for a particular purpose, are limited in duration to the applicable warranty period set forth above, or the applicable limitations period set by your state, whichever is shorter. Some states do not allow limitations on how long an implied warranty lasts and some states do not allow the exclusion or limitation of incidental or consequential damages, so the above limitations or exclusions may not apply to you.

No Other Warranties — Unless modified in a writing signed by both parties, this agreement is understood to be the complete and exclusive agreement between the parties, superseding all oral or written prior agreements and all other communications between the parties relating to the subject matter of this agreement, including statements made by salespersons. No employee of ROHL or any other party is authorized to make any warranty in addition to those made in this agreement. The buyer is warned, therefore, to check this agreement carefully to see that it correctly reflects those terms that are important to the buyer.

Foreign Outlets Online — One of the benefits of the Internet is that it has granted consumers the opportunity to learn about and purchase products from previously unknown foreign companies. Unfortunately, some foreign distributors who sell the foreign versions of ROHL's products have promoted these products for shipment to the United States. Though prices may look appealing, these products are not designed to be installed in American homes and significant problems may result. ROHL uses domestic distributors to ensure that its products meet American plumbing installation standards and have American plumbing code approvals. ROHL will not service, warrant, nor provide customer support for product purchased from foreign distributors.

Commercial Limited Warranty — ROHL warrants its products installed in a commercial application to be free from manufacturing defects for a period of one (1) year from the date of acquisition by original owner. IN COMMERCIAL INSTALLATIONS, THE ONE-YEAR LIMITED WARRANTY IS IN LIEU OF ALL OTHER WARRANTIES, EXPRESS OR IMPLIED, INCLUDING BUT NOT LIMITED TO THE IMPLIED WARRANTIES OF MERCHANTABILITY AND FITNESS FOR A PARTICULAR PURPOSE.

Effective: 3/2021



HOUSE OF ROHL

THE STORY CRAFT TELLS

We believe distinctive stories are what make life exceptional. At the House of Rohl, we pursue the discovery of time-honored craft that opens the door to stories unlike any other. Stories of place and provenance. Stories of dedication and passion. Stories of artistry and heritage. And the closer you look, the more you'll see, the details of your own story of a life well crafted.

EFFECTIVE MARCH 1, 2021

This price book supersedes all prices found in previous price books and is subject to change without notice.

Sold exclusively through fine decorative plumbing & hardware showrooms nationwide.

House of Rohl | Irvine, CA 92618
Phone: 800.777.9762 | houseofrohl.com

LIT-0002

