

VentA Hood[®]

DESIGNER SERIES IN STOCK PROGRAM

LUXURY DESIGN FOR YOUR KITCHEN



Effective April 15, 2021

P.O. Box 1836

Dundee, FL 33838

Phone: 800-292-8374 • Fax: 800-574-8805

www.pinnacleexpress.com

Vent-A-Hood®



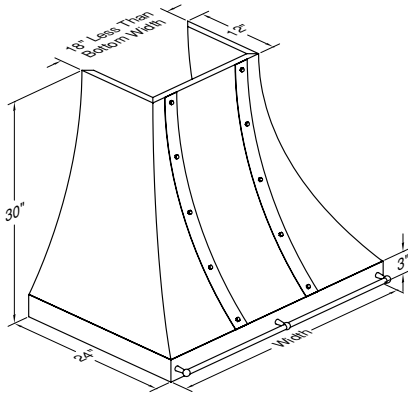
Madison Premium Magic Lung® Hood with E-Z Clean™ Tray



| JDH/C2 Model | Width | CFM | Duct | Retail |
|-----------------|-------|-----|---------|----------|
| JDH136/C2-SS/AS | 36" | 300 | 6" | \$5,525 |
| JDH236/C2-SS/AS | 36" | 600 | 8" | \$ 5,953 |
| JDH242/C2-SS/AS | 42" | 600 | 8" | \$6,373 |
| JDH348/C2-SS/AS | 48" | 900 | 6" & 8" | \$7,209 |

Hood comes in stainless steel finish with mirrored stainless steel lip treatment on all sides, (2) 2" vertical bands in mirrored stainless steel attached with ½" hex nuts, and a chrome pot rail on the front of the hood.

THE VP562 IS INCLUDED ON 900 CFM MODELS TO COMBINE OUTLETS INTO A SINGLE 10" DUCT.



Matching Duct Covers

| Model | Width | Height | CLG. | Retail |
|----------------------------|-------|--------|------|----------|
| WDCRND-18/12-MSS/JDH/C2/AS | 18" | 12" | 9' | \$ 948 |
| WDCRND-18/24-MSS/JDH/C2/AS | 18" | 24" | 10' | \$ 1,115 |
| WDCRND-24/12-MSS/JDH/C2/AS | 24" | 12" | 9' | \$ 999 |
| WDCRND-24/24-MSS/JDH/C2/AS | 24" | 24" | 10' | \$ 1,230 |
| WDCRND-30/12-MSS/JDH/C2/AS | 30" | 12" | 9' | \$ 1,037 |
| WDCRND-30/24-MSS/JDH/C2/AS | 30" | 24" | 10' | \$ 1,307 |

*Duct cover comes with matching bands that must be installed on site.

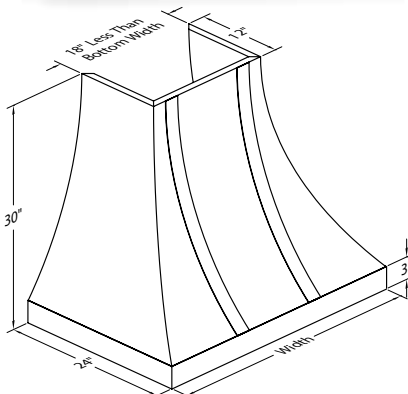
Charleston Premium Magic Lung® Hood with E-Z Clean™ Tray



| JDH/SB Model | Width | CFM | Duct | Retail |
|--------------------|-------|-----|---------|----------|
| JDH236/C2-SS/AS-SB | 36" | 600 | 8" | \$ 5,876 |
| JDH348/C2-SS/AS-SB | 48" | 900 | 6" & 8" | \$ 7,015 |

Hood comes in stainless steel finish with satin brass lip treatment on all sides, and (2) 2" vertical bands in satin brass attached with laminate.

THE VP562 IS INCLUDED ON 900 CFM MODELS TO COMBINE OUTLETS INTO A SINGLE 10" DUCT.



Matching Duct Covers

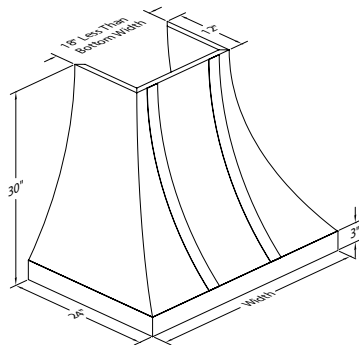
| Model | Width | Height | CLG. | Retail |
|---------------------------|-------|--------|------|----------|
| WDCRND-18/12/JDH/C2/AS-SB | 18" | 12" | 9' | \$ 1,224 |
| WDCRND-18/24/JDH/C2/AS-SB | 18" | 24" | 10' | \$ 1,391 |
| WDCRND-30/12/JDH/C2/AS-SB | 30" | 12" | 9' | \$ 1,313 |
| WDCRND-30/24/JDH/C2/AS-SB | 30" | 24" | 10' | \$ 1,583 |

*Duct cover comes with matching bands that must be installed on site.

Avery Premium Magic Lung Hood® with E-Z Clean™ Tray



See Page 44



| Model | Width | CFM | Duct | Retail |
|---------------------|-------|-----|---------|----------|
| JDH236/C2-SS/AS-MSS | 36" | 600 | 8" | \$ 5,600 |
| JDH348/C2-SS/AS-MSS | 48" | 900 | 6" & 8" | \$ 6,739 |

Hood comes in stainless steel finish with mirrored stainless steel lip treatment on all sides, and (2) 2" vertical bands in mirrored stainless steel attached with laminate.

THE VP562 IS INCLUDED ON 900 CFM MODELS TO COMBINE OUTLETS INTO A SINGLE 10" DUCT.

Duct Covers:

| Model | Width | Height | CLG. | Retail |
|----------------------------|-------|--------|------|----------|
| WDCRND-18/12/JDH/C2/AS-MSS | 18" | 12" | 9' | \$ 948 |
| WDCRND-18/24/JDH/C2/AS-MSS | 18" | 24" | 10' | \$ 1,115 |
| WDCRND-30/12/JDH/C2/AS-MSS | 30" | 12" | 9' | \$ 1,037 |
| WDCRND-30/24/JDH/C2/AS-MSS | 30" | 24" | 10' | \$ 1,307 |

WDCRND - Duct Cover Kit includes WDCRND Duct cover with (2) 2" vertical bands in mirrored stainless steel attached with laminate.

*Duct cover comes with matching bands that must be installed on site.

Phantom Premium Magic Lung Hood® with E-Z Clean™ Tray



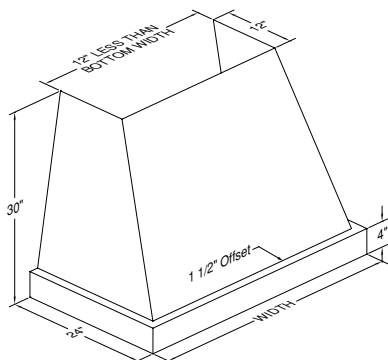
| JPH/C2 Model | Width | CFM | Duct | Retail |
|-----------------|-------|-----|---------|----------|
| JPH236/C2-BC/AS | 36" | 600 | 8" | \$ 4,515 |
| JPH348/C2-BC/AS | 48" | 900 | 6" & 8" | \$ 5,467 |

Hood comes in a black carbide finish with a stainless steel lip treatment on all sides.

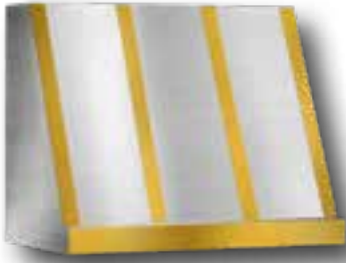
USE VP562 (OPTIONAL) ON 900 CFM MODELS TO COMBINE OUTLETS INTO A SINGLE 10" DUCT, LISTED ON PAGE 5.

Matching Duct Covers

| Model | Width | Height | CLG. | Retail |
|-----------------|-------|--------|------|----------|
| WDCRND-24/12-BC | 24" | 12" | 9' | \$ 828 |
| WDCRND-24/24-BC | 24" | 24" | 10' | \$ 969 |
| WDCRND-36/12-BC | 36" | 12" | 9' | \$ 880 |
| WDCRND-36/24-BC | 36" | 24" | 10' | \$ 1,085 |



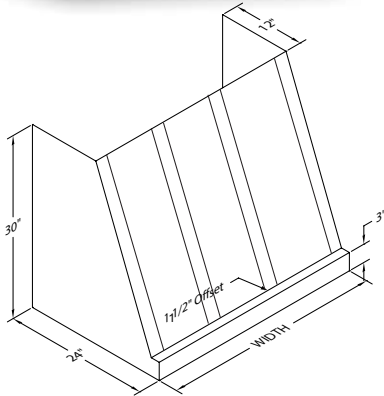
Augustine Premium Magic Lung Hood® with E-Z Clean™ Tray



| PWVH30-SB Model | Width | CFM | Duct | Retail |
|---------------------|-------|-----|---------|----------|
| PWVH30-236-SS/AS-SB | 36" | 600 | 8" | \$ 5,444 |
| PWVH30-348-SS/AS-SB | 48" | 900 | 6" & 8" | \$ 6,643 |

Hood comes in stainless steel finish with satin brass lip treatment on front only, lip has 1 1/2" offset, (4) 2" vertical bands in satin brass attached with laminate.

USE VP562 (OPTIONAL) ON 900 CFM MODELS TO COMBINE OUTLETS INTO A SINGLE 10" DUCT, LISTED ON PAGE 5.



Matching Duct Covers

| Model | Width | Height | CLG. | Retail |
|------------------------------|-------|--------|------|----------|
| WDCRND-36/12-PWVH30-SS/AS-SB | 36" | 12" | 9' | \$ 1,734 |
| WDCRND-36/24-PWVH30-SS/AS-SB | 36" | 24" | 10' | \$ 2,069 |
| WDCRND-48/12-PWVH30-SS/AS-SB | 48" | 12" | 9' | \$ 1,850 |
| WDCRND-48/24-PWVH30-SS/AS-SB | 48" | 24" | 10' | \$ 2,287 |

* DUCT COVER COMES WITH MATCHING BANDS THAT MUST BE INSTALLED ON SITE.

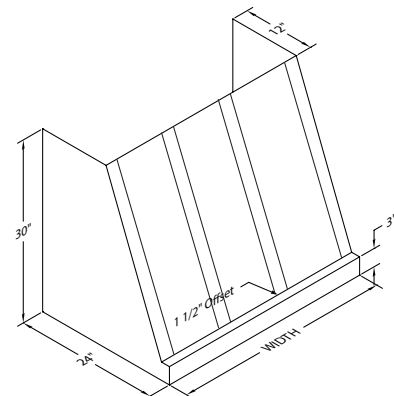
Manhattan Premium Magic Lung Hood® with E-Z Clean™ Tray



| PWVH30 Model | Width | CFM | Duct | Retail |
|----------------------|-------|-----|---------|----------|
| PWVH30-236-SS/AS-MSS | 36" | 600 | 8" | \$ 5,168 |
| PWVH30-348-SS/AS-MSS | 48" | 900 | 6" & 8" | \$ 6,367 |

Hood comes in stainless steel finish with mirrored stainless steel lip treatment on front only, lip has 1 1/2" offset, (4) 2" vertical bands in mirrored stainless steel attached with laminate.

USE VP562 (OPTIONAL) ON 900 CFM MODELS TO COMBINE OUTLETS INTO A SINGLE 10" DUCT, LISTED ON PAGE 5.

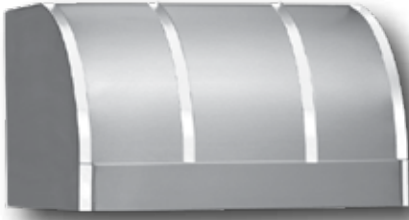


Matching Duct Covers

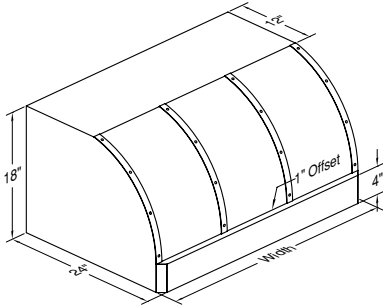
| Model | Width | Height | CLG. | Retail |
|-------------------------------|-------|--------|------|----------|
| WDCRND-36/12-PWVH30-SS/AS/MSS | 36" | 12" | 9' | \$ 1,458 |
| WDCRND-36/24-PWVH30-SS/AS/MSS | 36" | 24" | 10' | \$ 1,793 |
| WDCRND-48/12-PWVH30-SS/AS/MSS | 48" | 12" | 9' | \$ 1,616 |
| WDCRND-48/24-PWVH30-SS/AS/MSS | 48" | 24" | 10' | \$ 2,011 |

* DUCT COVER COMES WITH MATCHING BANDS THAT MUST BE INSTALLED ON SITE.

Napa Premium Magic Lung Hood® with E-Z Clean™ Tray



*Picture shown without rivets.



| XRH18 Model | Width | CFM | Duct | Retail |
|-----------------|-------|-----|---------|----------|
| XRH18-236-SS/AS | 36" | 600 | 8" | \$ 3,622 |
| XRH18-348-SS/AS | 48" | 900 | 6" & 8" | \$ 4,419 |

Hood comes in stainless steel finish with (4) 1" vertical bands in mirrored stainless steel attached with 1/4" rivets and mirrored stainless steel on clips.

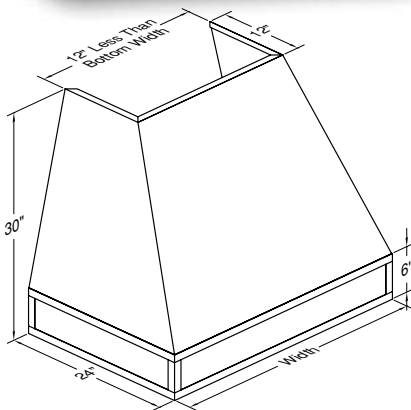
USE VP562 (OPTIONAL) ON 900 CFM MODELS TO COMBINE OUTLETS INTO A SINGLE 10" DUCT, LISTED ON PAGE 5.

Matching Duct Covers*

| Model | Width | Height | CLG. | Retail |
|-----------------|-------|--------|------|----------|
| WDCRND-36 SS | 36" | 12" | 8' | \$ 754 |
| WDCRND-36/24 SS | 36" | 24" | 9' | \$ 1,105 |
| WDCRND-48 SS | 48" | 12" | 8' | \$ 877 |
| WDCRND-48/24 SS | 48" | 24" | 9' | \$ 1,335 |
| WDCRND-48/36 SS | 48" | 36" | 10' | \$ 1,793 |

*Duct cover comes in a stainless steel finish without bands.

Isabella Premium Magic Lung Hood® with E-Z Clean™ Tray



| JPH/C1 Model | Width | CFM | Duct | Retail |
|-----------------|-------|-----|---------|---------|
| JPH236/C1-WH/AS | 36" | 600 | 8" | \$5,860 |
| JPH348/C1-WH/AS | 48" | 900 | 6" & 8" | \$6,885 |

Hood comes in a white finish with mirrored stainless steel lip treatment on all sides at top and bottom, (2) 1" corner band and (2) 1" back bands in mirrored stainless steel on lip.

USE VP562 (OPTIONAL) ON 900 CFM MODELS TO COMBINE OUTLETS INTO A SINGLE 10" DUCT, LISTED ON PAGE 5.

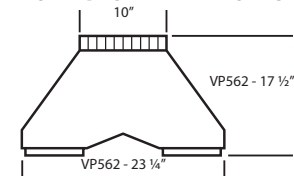
Matching Duct Covers

| Model | Width | Height | CLG. | Retail |
|-----------------|-------|--------|------|--------|
| WDCRND-24/12-WH | 24" | 12" | 9' | \$ 580 |
| WDCRND-24/24-WH | 24" | 24" | 10' | \$ 728 |
| WDCRND-36/12-WH | 36" | 12" | 9' | \$ 633 |
| WDCRND-36/24-WH | 36" | 24" | 10' | \$ 849 |

Transition for use with 900 CFM Hoods

| Model | Description | Retail |
|-------|--|--------|
| VP562 | 6" Round & 8" Round to 10" Round for 900 CFM Hoods | \$ 124 |

MULTI-BLOWER TRANSITION



Vent-A-Hood®

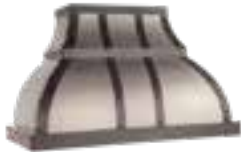
HOW TO BUILD A CUSTOM DESIGNER SERIES HOOD

Build Your Dream Hood at www.ventahood.com with live 3D Interaction!

1. Select A Style: Designer hoods shown for reference, but select any hood style.



JCH/A1
WALL MOUNT/ ISLAND



JCH/B1
WALL MOUNT/ ISLAND



JCH/C1
WALL MOUNT/ ISLAND



JCH/C2
WALL MOUNT



JPH/C2
WALL MOUNT



JDH/C1
WALL MOUNT/ ISLAND



JDH/C2
WALL MOUNT/ ISLAND



JDH/C3
WALL MOUNT/ ISLAND



JPH/C1
WALL MOUNT/ ISLAND

2. Select a Hood Width: 36", 42", 48", 54", 60", or 66"

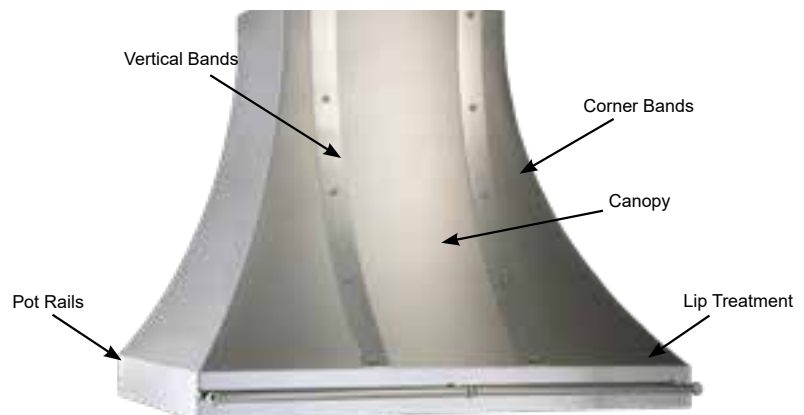
3. Select a Ceiling Height

4. Select a Blower System: 300 CFM, 600 CFM, 900 CFM, or 1200 CFM

5. Choose Finishes

6. Choose Optional Features:

- Corner Bands
- Vertical Bands
- Pot Rail
- Lip Treatment



7. Lead Times will Vary Depending on Item Number and Variations Chosen

*Refer to the Pinnacle Express Vent-A-Hood list price book for complete details.



P.O. Box 1836
Dundee, FL 33838
Phone: 800-292-8374 • Fax: 800-574-8805
www.pinnacleexpress.com

VH-DSB2021-05