



2021 HYDROTAP BY ZIP RETAIL PRICE BOOK



Hydrotap by Zip Price Book
Effective May 1, 2021
www.pinnacleexpress.com
800-292-8374

TABLE OF CONTENTS

| | Page |
|------------------------------------|------|
| The Hydrotap Difference | 3 |
| Build Your Hydrotap System | 4 |
| Underbench Base Units | 6 |
| Classic Faucets | 8 |
| Arc Faucets | 9 |
| Cube Faucets | 10 |
| Celsius All-In-One Faucets | 11 |
| Design Fonts and Other Accessories | 12 |
| Technical Information | 13 |
| Terms and Conditions of Sale | 15 |

Stock items are listed in red; however, inventory levels are subject to change. In order to plan your purchases accordingly we encourage you to check our live inventory by accessing the dealer login on www.pinnaclesalesgroup.com

This price list supercedes all prices found in previous price lists and is subject to change without notice.

THE HYDROTAP DIFFERENCE

70 YEARS OF INNOVATION



Founded in 1947, Zip Water is known globally for their advancements in residential drinking water systems.

WATER FOR EVERY TASTE PALATE



Provides instant filtered boiling, chilled and sparkling water at your fingertips.

ENERGY EFFICIENT



Reduces power consumption by up to 30% and costs approximately \$1.00 per week to operate.

GOOD FOR THE ENVIRONMENT



Reduces your environmental impact by eliminating the need for bottled water.

ADVANCED FILTRATION



Safely filters down to 0.2 micron removing taste, odor, dirt, contaminants, lead and reducing levels of chlorine and microbiological cysts.

DESIGNS AND FINISHES



Faucets are available in 4 designs with options of up to 7 finishes

SAFE FOR ALL USERS



Cool touch faucet and boiling water safety lock makes Hydrotap the safe water dispensing choice for your family.





AFTER SALE SUPPORT



Hydrotap products hold a comprehensive parts and labor warranty for 2 years.



1. Choose your Water Option (Page 6)

| | | | | |
|---|---|---|--|-----------------------|
|  |  |  |  | |
| FILTERED | FILTERED | FILTERED | FILTERED | UNFILTERED |
| BOILING CHILLED SPARKLING | BOILING CHILLED | CHILLED SPARKLING | BOILING CHILLED SPARKLING | HOT & COLD |

2. Choose your Tap style (Pages 8-11)

| | | | |
|--|--|--|--|
|  |  |  |  |
| CLASSIC | ARC | CUBE | CELSIUS ALL-IN-ONE |

3. Choose your Finish (Pages 8-11)

| | | | | | | | |
|---|---|---|---|--|---|---|---|
| Standard | | | Premium | | | | |
|  |  |  |  |  |  |  |  |
| CHROME | BRUSHED CHROME | MATTE BLACK | ROSE GOLD | BRUSHED GOLD | NICKEL | BRUSHED NICKEL | GUNMETAL |

| | | | | | | | |
|---|---|---|---|---|---|---|---|
|  |  |  |  |  |  |  |  |
| Chrome | Brushed Chrome | Matte Black | Rose Gold | Brushed Gold | Nickel | Brushed Nickel | Gunmetal |



Winner of Kitchen + Bath Business Innovators Award for 2019 Kitchen Product of the Year

“
*Experience The Hydrotap Effect.
It's Water. Refreshed.*
”

“



UNDERBENCH BASE UNITS

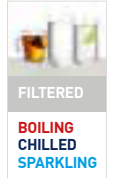
BCS (BOILING, CHILLED, SPARKLING)

Features

- Single Unit that Provides Instant Filtered, Boiling, Chilled and Sparkling
- 2 Year Warranty
- 0.2 Micron Built-In Filtration
- Boiling Water Safety Mode on Faucet
- Refillable CO2 Cylinder
- Power-Pulse Technology Maintains Boiling Water Within 0.4°F of Set Temperature
- Air-Cooled Refrigeration System Allows System to Maintain 100% Water Efficiency
- Boiling Water is Factory Set at 209°F
- Chilled Water is Factory Set at 44°F
- Sparkling Water is Factory Set at 44°F
- BCS120V-1 Capacity
 - 85 cups of Boiling Water per Hour - 120v
 - 75 cups of Chilled or Sparkling Water Per Hour
- BCS240V-1C Capacity
 - 160 Cups of Boiling Water per Hour
 - 175 Cups of Chilled or Sparkling Water per Hour



Now Available in
120v-240v Installation

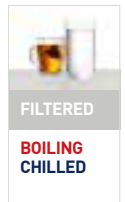


| New Item Number | Previous Item Number | Description | MSRP |
|-----------------|----------------------|--|---------|
| 01038399 | BCS120V-1 | Boiling, Chilled, Sparkling Kit Unit, CO2, Regulator, 120v | \$4,003 |
| 01034469 | BCS240V-1C | Boiling, Chilled, Sparkling Kit Unit, Large Commercial, CO2, Regulator, 240v | \$5,300 |

BC (BOILING, CHILLED)

Features

- Single Unit that Provides Instant Filtered, Boiling and Chilled Water
- 2 Year Warranty
- 0.2 Micron Built-In Filtration
- Boiling Water Safety Mode on Faucet
- Power-Pulse Technology Maintains Boiling Water Within 0.4°F of Set Temperature
- Air-Cooled Refrigeration System Allows System to Maintain 100% Water Efficiency
- Boiling Water is Factory Set at 209°F
- Chilled Water is Factory Set at 44°F
- BC120V-1 Capacity
 - 85 cups of Boiling Water per Hour - 120v
 - 75 cups of Boiling Per Hour Water
- BC240V-1 Capacity
 - 100 Cups of Boiling Water per Hour - 240v
 - 75 Cups of Chilled Water per Hour
- BC240V-1C Capacity
 - 160 Cups of Boiling Water per Hour
 - 125 Cups of Chilled Water per Hour

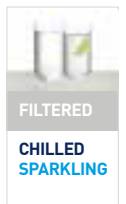


| New Item Number | Previous Item Number | Description | MSRP |
|-----------------|----------------------|---|---------|
| 01037424 | BC120V-1 | Boiling, Chilled Kit Unit, CO2, Regulator, 120v | \$3,443 |
| 01034204 | BC240V-1 | Boiling, Chilled Unit 2kW, 240v | \$3,400 |
| 01034205 | BC240V-1C | Boiling, Chilled Unit, Large Commercial, 240v | \$4,500 |

CS (CHILLED, SPARKLING)

Features

- Single Unit that Provides Instant Filtered, Chilled and Sparkling Water
- 2 Year Warranty
- 0.2 Micron Built-In Filtration
- Refillable CO2 Cylinder
- Air-Cooled Refrigeration System Allows System to Maintain 100% Water Efficiency
- Chilled Water is Factory Set at 44°F
- Sparkling Water is Factory Set at 44°F
- CS120V-1 Capacity
 - 75 Cups of Chilled or Sparkling Water per Hour
- CS240V-1 Capacity
 - 75 Cups of Chilled or Sparkling Water per Hour
- CS240V-1C Capacity
 - 175 Cups of Chilled or Sparkling Water per Hour

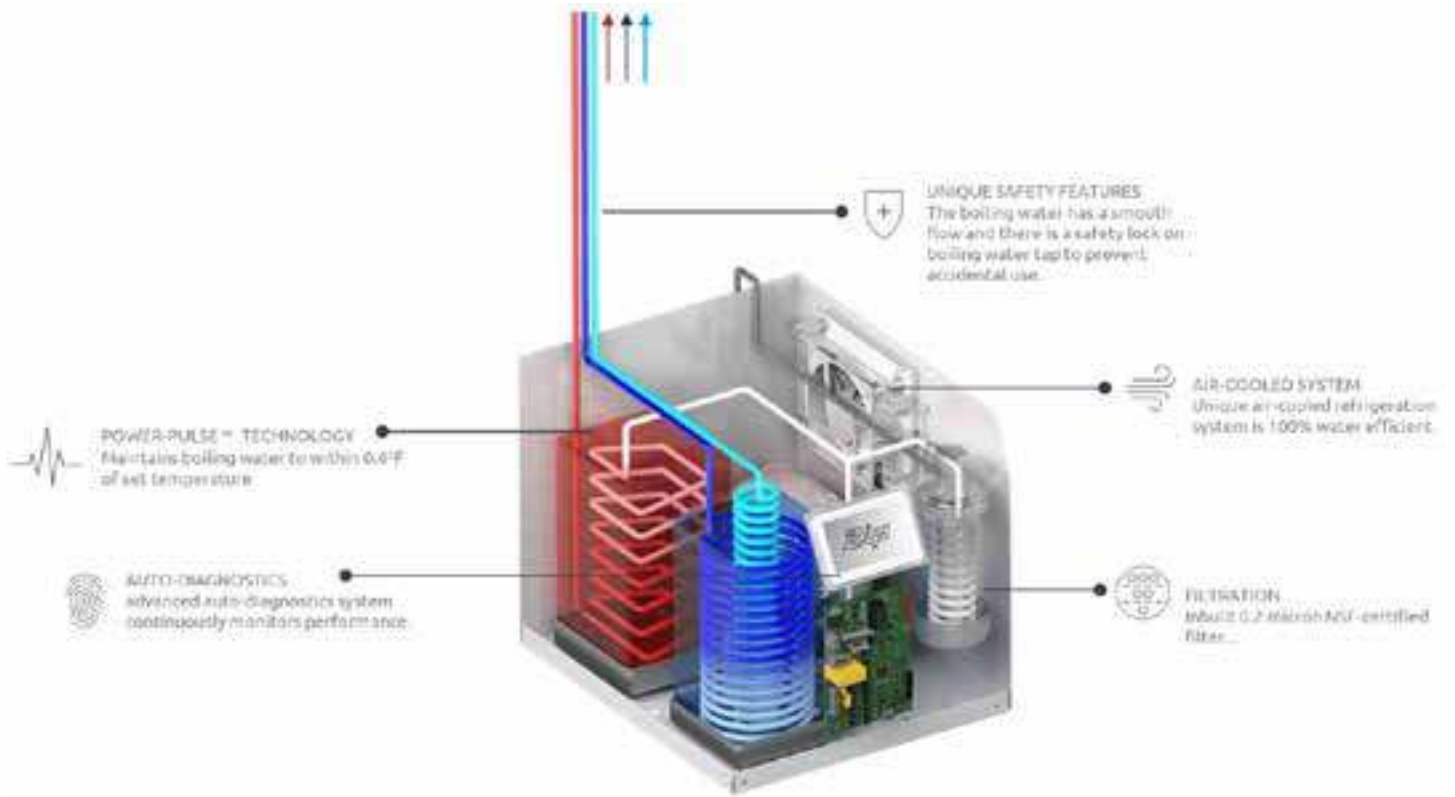


| New Item Number | Previous Item Number | Description | MSRP |
|-----------------|----------------------|---|---------|
| 01038400 | CS120V-1 | Chilled, Sparkling Kit Unit, Regulator, 120v | \$3,443 |
| 01034468 | CS240V-1 | Chilled, Sparkling Kit Unit, CO2, Regulator, 240v | \$3,210 |
| 01034470 | CS240V-1C | Chilled, Sparkling Kit Unit, Large Commercial, CO2, Regulator, 240v | \$3,743 |

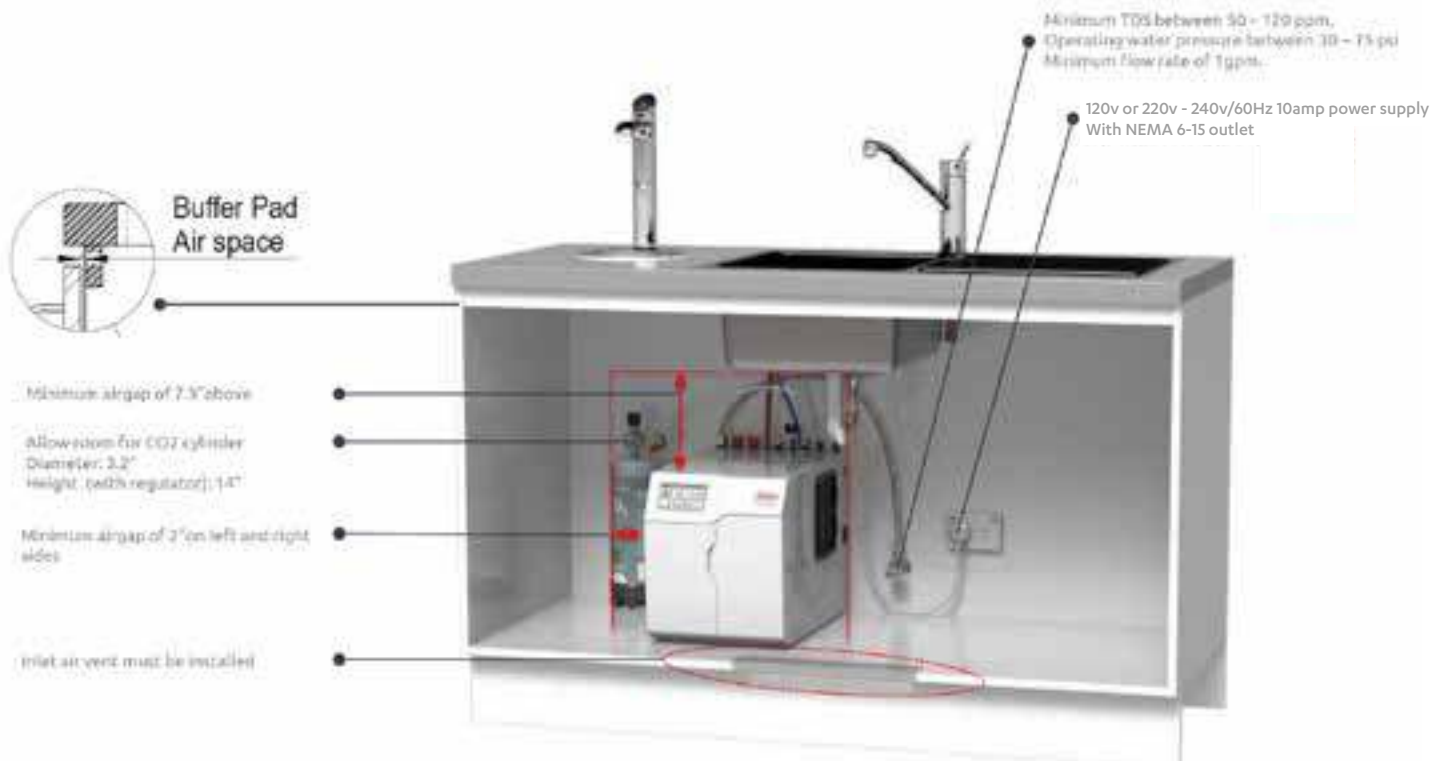
Optional accessories listed on page 12.

Inventory levels are subject to change, check stock via Dealer Login on www.pinnaclesalesgroup.com

UNDERBENCH BASE FEATURES



PRODUCT INSTALLATION



(Picture showing 240v installation, also available in 120v)

ZIP WATER FAUCETS

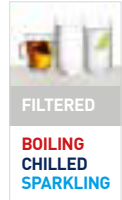
CLASSIC



(Shown with font on Page 12)

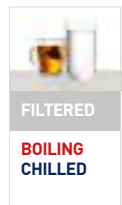
Features

- For use with BCS, BC or CS underbench units
- All water is filtered through a 0.2 micron cartridge
- Available in chrome, brushed chrome or matte black
- Installation over sink or with optional font
- Boiling water is only dispensed after safety lock is activated
- Chilled and sparkling water can be dispensed using “no-touch” technology



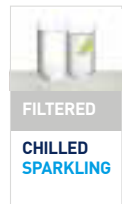
Boiling | Chilled | Sparkling Faucet Only

| New Item Number | Previous Item Number | Description | MSRP |
|-----------------|----------------------|-------------------------------------|--------------|
| 01034208 | CLASSIC-BCS-C | Faucet, Classic BCS, Chrome | \$695 |
| 01034209 | CLASSIC-BCS-BC | Faucet, Classic BCS, Brushed Chrome | \$995 |
| 01034210 | CLASSIC-BCS-MB | Faucet, Classic BCS, Matte Black | \$995 |



Boiling | Chilled Faucet Only

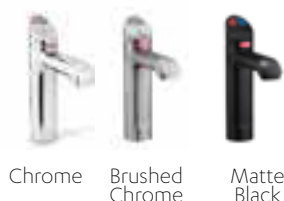
| New Item Number | Previous Item Number | Description | MSRP |
|-----------------|----------------------|------------------------------------|-------|
| 01034211 | CLASSIC-BC-C | Faucet, Classic BC, Chrome | \$695 |
| 01034212 | CLASSIC-BC-BC | Faucet, Classic BC, Brushed Chrome | \$995 |
| 01034213 | CLASSIC-BC-MB | Faucet, Classic BC, Matte Black | \$995 |



Chilled | Sparkling Faucet Only

| New Item Number | Previous Item Number | Description | MSRP |
|-----------------|----------------------|------------------------------------|-------|
| 01034214 | CLASSIC-CS-C | Faucet, Classic CS, Chrome | \$695 |
| 01034215 | CLASSIC-CS-BC | Faucet, Classic CS, Brushed Chrome | \$995 |
| 01034216 | CLASSIC-CS-MB | Faucet, Classic CS, Matte Black | \$995 |

AVAILABLE IN :



Chrome Brushed Chrome Matte Black

Fonts and optional accessories listed on page 12.

Inventory levels are subject to change, check stock via Dealer Login on www.pinnaclesalesgroup.com

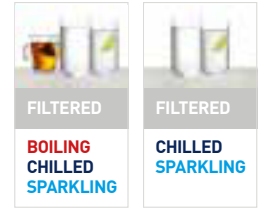
STOCK ITEMS LISTED IN RED

ZIP WATER FAUCETS

ARC

Features

- For use with BCS, BC or CS underbench units
- All water is filtered through a 0.2 micron cartridge
- Available in 8 finishes
- Installation over sink or with optional font (see page 12)
- Boiling water is only dispensed after safety lock is activated



Boiling | Chilled | Sparkling or Chilled | Sparkling Faucet Only

| New Item Number | Previous Item Number | Description | MSRP |
|-----------------|----------------------|---------------------------------------|-------|
| 01034217 | ARC-C | Faucet, ARC BCS or CS, Chrome | \$695 |
| 01034218 | ARC-BC | Faucet, ARC BCS or CS, Brushed Chrome | \$995 |
| 01034219 | ARC-MB | Faucet, ARC BCS or CS, Matte Black | \$995 |
| 01034220 | ARC-RG | Faucet, ARC BCS or CS, Rose Gold | \$995 |
| 01034221 | ARC-BG | Faucet, ARC BCS or CS, Brushed Gold | \$995 |
| 01034222 | ARC-N | Faucet, ARC BCS or CS, Nickel | \$995 |
| 01034223 | ARC-BN | Faucet, ARC BCS or CS, Brushed Nickel | \$995 |
| 01041862 | N/A | Faucet, ARC BCS or CS, Gunmetal | \$995 |



Boiling | Chilled Faucet Only

| New Item Number | Previous Item Number | Description | MSRP |
|-----------------|----------------------|--------------------------------|-------|
| 01034224 | N/A | Faucet, ARC BC, Chrome | \$695 |
| 01034225 | N/A | Faucet, ARC BC, Brushed Chrome | \$995 |
| 01034226 | N/A | Faucet, ARC BC, Matte Black | \$995 |
| 01034227 | N/A | Faucet, ARC BC, Rose Gold | \$995 |
| 01034228 | N/A | Faucet, ARC BC, Brushed Gold | \$995 |
| 01034229 | N/A | Faucet, ARC BC, Nickel | \$995 |
| 01034230 | N/A | Faucet, ARC BC, Brushed Nickel | \$995 |
| 01041865 | N/A | Faucet, ARC BC, Gunmetal | \$995 |

AVAILABLE IN :

Standard

Premium



Chrome

Brushed Chrome

Matte Black



Rose Gold

Brushed Gold

Nickel

Brushed Nickel

Gunmetal

Fonts and optional accessories listed on page 12.

Inventory levels are subject to change, check stock via Dealer Login on www.pinnaclesalesgroup.com

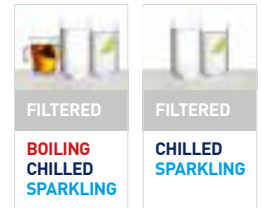
ZIP WATER FAUCETS

CUBE



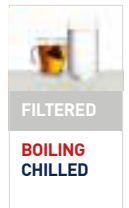
Features

- For use with BCS, BC or CS underbench units
- All water is filtered through a 0.2 micron cartridge
- Available in 8 finishes
- Installation over sink or with optional font (see page 12)
- Boiling water is only dispensed after safety lock is activated



Boiling | Chilled | Sparkling or Chilled | Sparkling Faucet Only

| New Item Number | Previous Item Number | Description | MSRP |
|-----------------|----------------------|--|------------------|
| 01034238 | CUBE-C | Faucet, CUBE BCS or CS, Chrome | \$695 |
| 01034239 | CUBE-BC | Faucet, CUBE BCS or CS, Brushed Chrome | \$995 |
| 01034240 | CUBE-MB | Faucet, CUBE BCS or CS, Matte Black | \$995 |
| 01034241 | CUBE-RG | Faucet, CUBE BCS or CS, Rose Gold | \$995 |
| 01034242 | CUBE-BG | Faucet, CUBE BCS or CS, Brushed Gold | \$995 |
| 01034243 | CUBE-N | Faucet, CUBE BCS or CS, Nickel | \$995 |
| 01034244 | CUBE-BN | Faucet, CUBE BCS or CS, Brushed Nickel | \$995 |
| 01041863 | N/A | Faucet, CUBE BCS or CS, Gunmetal | NEW \$995 |



Boiling | Chilled Faucet Only

| New Item Number | Previous Item Number | Description | MSRP |
|-----------------|----------------------|---------------------------------|------------------|
| 01034245 | N/A | Faucet, CUBE BC, Chrome | \$695 |
| 01034246 | N/A | Faucet, CUBE BC, Brushed Chrome | \$995 |
| 01034247 | N/A | Faucet, CUBE BC, Matte Black | \$995 |
| 01034248 | N/A | Faucet, CUBE BC, Rose Gold | \$995 |
| 01034249 | N/A | Faucet, CUBE BC, Brushed Gold | \$995 |
| 01034250 | N/A | Faucet, CUBE BC, Nickel | \$995 |
| 01034251 | N/A | Faucet, CUBE BC, Brushed Nickel | \$995 |
| 01041866 | N/A | Faucet, CUBE BC, Gunmetal | NEW \$995 |

AVAILABLE IN :

Standard



Chrome Brushed Chrome Matte Black

Premium



Rose Gold Brushed Gold Nickel Brushed Nickel Gunmetal

Fonts and optional accessories listed on page 12.

Inventory levels are subject to change, check stock via Dealer Login on www.pinnaclesalesgroup.com

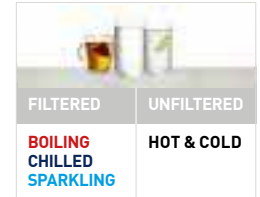
STOCK ITEMS LISTED IN RED

ZIP WATER FAUCETS CELSIUS ALL-IN-ONE



Features

- For use with BCS underbench unit only
- Boiled, chilled and sparkling water are all filtered through a 0.2 micron cartridge
- Standard Hot and Cold Function
- Requires hot and cold water supply for installation
- Available in 8 finishes
- Installation over sink only
- Boiling water is only dispensed after safety lock is activated



THIS PRODUCT NEEDS A HOT AND COLD WATER SUPPLY

Boiling | Chilled | Sparkling All-In-One Faucet

| New Item Number | Previous Item Number | Description | MSRP |
|-----------------|----------------------|---|--------------------|
| 01034259 | CELSIUS-BCS-C | Faucet, Celsius AIO BCS, Chrome | \$1,195 |
| 01034260 | CELSIUS-BCS-BC | Faucet, Celsius AIO BCS, Brushed Chrome | \$1,495 |
| 01034261 | CELSIUS-BCS-MB | Faucet, Celsius AIO BCS, Matte Black | \$1,495 |
| 01034262 | CELSIUS-BCS-RG | Faucet, Celsius AIO BCS, Rose Gold | \$1,495 |
| 01034263 | CELSIUS-BCS-BG | Faucet, Celsius AIO BCS, Brushed Gold | \$1,495 |
| 01034264 | CELSIUS-BCS-N | Faucet, Celsius AIO BCS, Nickel | \$1,495 |
| 01034265 | CELSIUS-BCS-BN | Faucet, Celsius AIO BCS, Brushed Nickel | \$1,495 |
| 01041864 | N/A | Faucet, Celsius AIO BCS, Gunmetal | NEW \$1,495 |

AVAILABLE IN :

Standard



Chrome

Brushed Chrome

Matte Black

Premium



Rose Gold

Brushed Gold

Nickel

Brushed Nickel

Gunmetal

Optional accessories listed on page 12.

Inventory levels are subject to change, check stock via Dealer Login on www.pinnacleexpress.com



FONTS

Fonts for Classic Faucets



| New Item Number | Previous Item Number | Description | MSRP |
|-----------------|----------------------|---|-------|
| 01034266 | CLASSIC-FONT-C | Drip Tray, Classic Font, Chrome | \$395 |
| 01034267 | CLASSIC-FONT-BC | Drip Tray, Classic Font, Brushed Chrome | \$495 |
| 01034267 | CLASSIC-FONT-MB | Drip Tray, Classic Font, Matte Black | \$495 |

Fonts for Arc and Cube Faucets



| New Item Number | Previous Item Number | Description | MSRP |
|-----------------|----------------------|--|----------------|
| 01034269 | DESIGN-FONT-C | Drip Tray, Design Font, Chrome | \$395 |
| 01034270 | DESIGN-FONT-BC | Drip Tray, Design Font, Brushed Chrome | \$495 |
| 01034271 | DESIGN-FONT-MB | Drip Tray, Design Font, Matte Black | \$495 |
| 01034272 | DESIGN-FONT-RG | Drip Tray, Design Font, Rose Gold | \$495 |
| 01034273 | DESIGN-FONT-BG | Drip Tray, Design Font, Brushed Gold | \$495 |
| 01034274 | DESIGN-FONT-N | Drip Tray, Design Font, Nickel | \$495 |
| 01034275 | DESIGN-FONT-BN | Drip Tray, Design Font, Brushed Nickel | \$495 |
| TBD | N/A | Drip Tray, Design Font, Gunmetal | NEW TBD |

ACCESSORIES



| Item Number | Description | MSRP |
|-------------|--|---------|
| 01034276 | Replacement Filter, 0.2 Micron, 1 Size | \$175 |
| 01034277 | Replacement Filter, 0.2 Micron, 1.5 Size | \$195 |
| 01034278 | Replacement Filter, 0.3 Micron, 1.5 Size | \$195 |
| 01034347 | Zip 2 x 1.5lb CO2 Refillable/Recyclable Cylinders | \$185 |
| 01034348 | Zip 1 x 5lb CO2 Refillable/Recyclable Cylinder | \$199 |
| 01034349 | Zip CO2 Regulator | \$159 |
| 01034280 | Vent Tray, BC/BCS Models | \$150 |
| 01034281 | Vent Tray, CS Models | \$150 |
| 01037879 | Zip Scale Filter Installation Kit (2x Braided Hoses & Filter Head) - FL401 | \$170 |
| 01037880 | Zip PEX Lined Braided Hoses x 2 - 10mm Bore x 750mm - SR60013 | \$29.99 |
| 01037881 | Zip Scale Filter Head - 94527 | \$102 |
| 01037867 | Zip Scale Prevention Filter 1,700 liters (449 Gallons) - Replacement Cartridge - FL250 | \$148 |
| 01037868 | Zip Scale Prevention Filter 2,250 liters (595 Gallons) - Replacement Cartridge - FL250 | \$205 |
| 01037869 | Zip Scale Prevention Filter 3,750 liters (990 Gallons) - Replacement Cartridge - FL500 | \$240 |
| 01037870 | Zip Scale Prevention Filter 7,000 liters (1,850 Gallons) - Replacement Cartridge - FL1000 | \$335 |
| 01037871 | Zip Scale Prevention Filter 10,000 liters (2,640 Gallons) - Replacement Cartridge - FL1500 | \$448 |
| 01037872 | Zip Scale Prevention Filter 16,500 liters (4,359 Gallons) - Replacement Cartridge - FL1500 | \$615 |

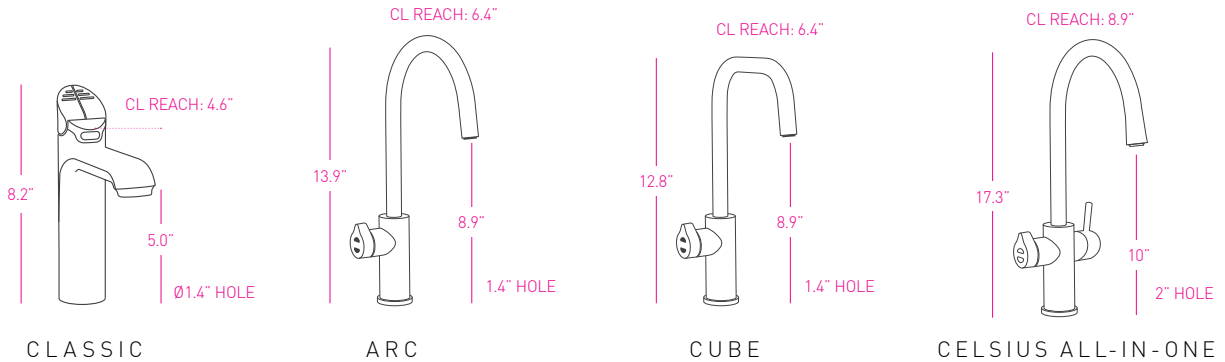
Inventory levels are subject to change, check stock via Dealer Login on www.pinnaclesalesgroup.com



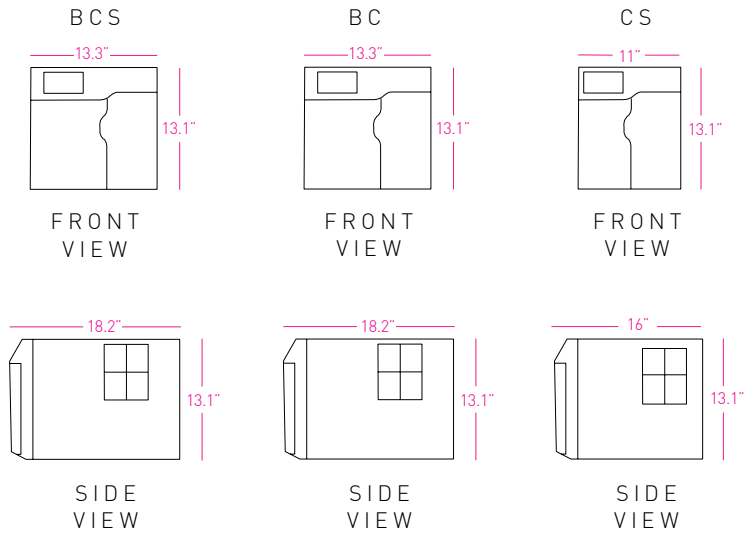
TECHNICAL INFORMATION

**Now Available in
120v-240v Installation**

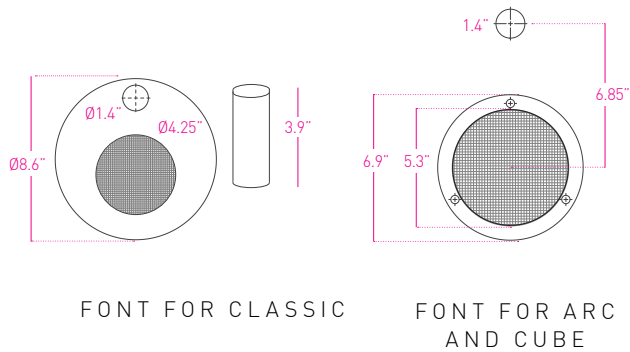
FAUCETS



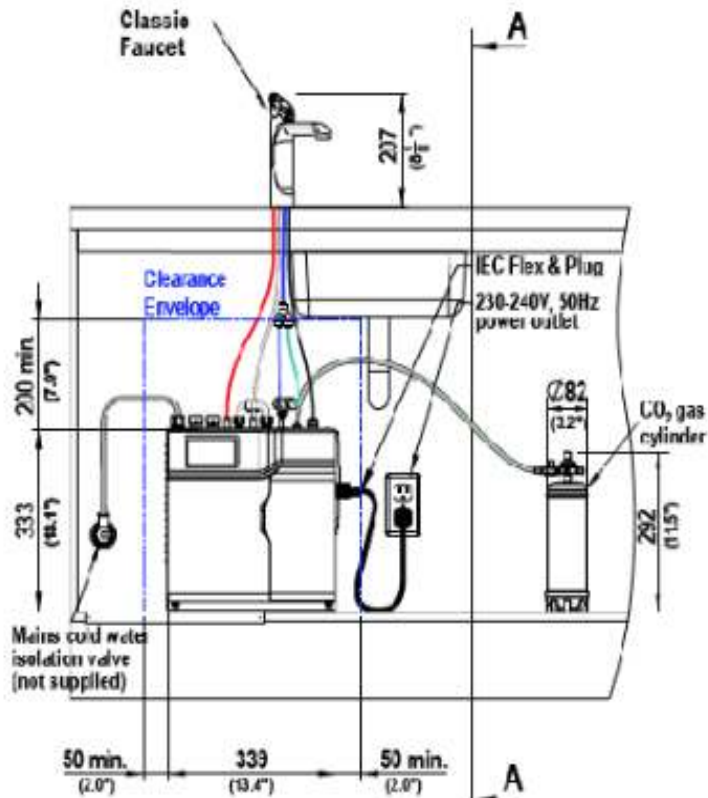
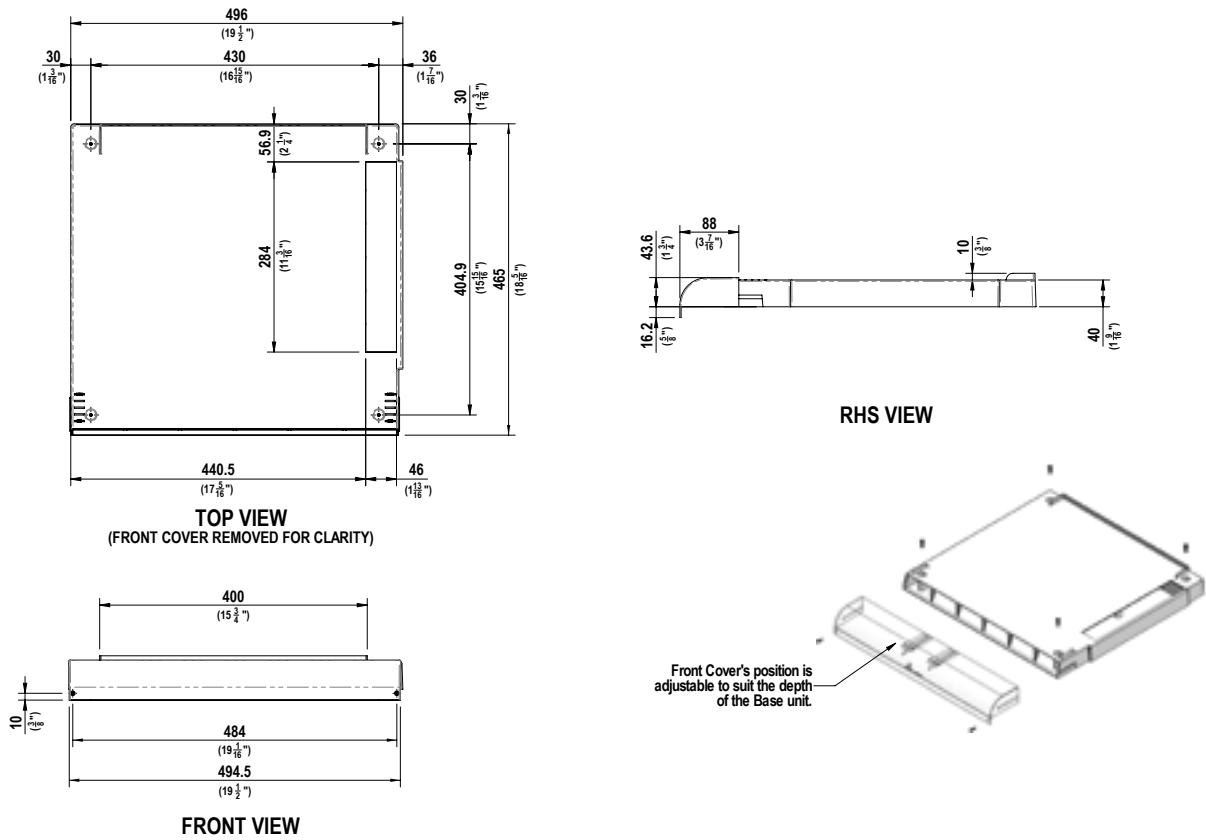
UNDERBENCH UNITS



FONTS



VENT TRAY



Orders: All orders and any subsequent change orders must be submitted in writing and delivered to Pinnacle Express, Inc. by mail, fax or e-mail. No telephone orders will be accepted. Special Order items are Non-Cancellable.

Prices: All prices are subject to change without notice and are exclusive of any sales or use taxes, shipping, delivery, special packaging, or handling charges that may apply to each customer or to each order.

Minimum Advertised Pricing: All sales are subject to Pinnacle Express, Inc. minimum advertised prices. Failure to comply with minimum advertised prices will result in cancellation of any agreement and violators will not be entitled to purchase further products.

Minimum Sale Price: All sales are subject to Pinnacle Express, Inc. minimum sale prices. Failure to comply with minimum sale prices will result in cancellation of any agreement and violators will not be entitled to purchase further products.

Freight and Handling: Pinnacle Express, Inc. reserves the right to ship products by its choice of carrier. All shipments are F.O.B. from place of shipment, and risk of loss shall pass to the Buyer upon delivery to the carrier at the point of shipment. Additional charges may apply for special handling and packaging.

Deliveries: Pinnacle Express, Inc. shall not be liable for failure to deliver or for delays in delivery or performance due to: (1) causes beyond its reasonable control; (2) acts of God, acts of Buyer, acts of civil or military authority, governmental allocations or controls, fires, strikes or other labor difficulties, riots or other civil disturbances, delays in its usual source of supply, delays in transportation; (3) any other commercial impracticability. In the event of such delay, the date of delivery or performance shall be extended for a period equal to the time lost by reason of the delay.

Claims: All claims for non-conforming delivery of Products must be made within twelve (12) days of receipt of shipment.

Damage or Loss: Any claim for damage or loss in shipment should be made to the carrier immediately by the customer. Products become the responsibility of the Buyer when accepted by the carrier in good condition from Pinnacle Express, Inc. and we are not able to process shipping damage claims.

Returns: Only Items marked in this Price List as "Stock Item" are subject to return. All other items are considered Special Order Items and are NOT RETURNABLE. No Products may be returned without a Pinnacle Express, Inc. Return Goods Authorization (RGA) Number issued prior to the return of Product. Any product returned without an RGA will be refused and returned to the sender. RGA's are valid for thirty (30) days only. All returns are subject to inspection before being approved for credit - products must be in saleable condition to be considered for return or replacement. A 30% restocking charge will apply to all returns.

Payment: Unless otherwise noted, payment terms are Net Due on Receipt. Balances owed on invoices over 30 days old are subject to a 1.5% per month charge. Each shipment or delivery shall be deemed to have been sold under a separate and or independent contract and payment thereof shall be made in accordance with the terms of this agreement and of the invoice rendered by Pinnacle Express, Inc. Buyer agrees that title to the personal property described herein shall not vest in Buyer until paid in full. In the event of insolvency or the filing of bankruptcy by the Buyer, Buyer agrees to return all merchandise to Pinnacle Express, Inc.

Warranties: Products distributed by Pinnacle Express, Inc. are the products of reputable manufacturers sold under their respective brand or trade names. Pinnacle Express, Inc. shall use its best efforts to obtain from each manufacturer, in accordance with the manufacturer's warranty or customary practice, the repair or replacement of products that may prove defective in material or workmanship. The foregoing shall constitute the exclusive remedy of the Buyer and the sole obligation of Pinnacle Express, Inc. with the exception of the Lifetime Warranty Program for Everpure Drinking Water Systems. This special warranty extends the manufacturer's 12-month limited warranty on an annual basis as long as the owner of an Everpure Drinking Water System can provide documentary evidence of purchase and installation of appropriate Everpure replacement cartridges. Except as to Title, THERE ARE NO WARRANTIES, EITHER WRITTEN, ORAL, IMPLIED, OR STATUTORY relating to the described products which shall extend beyond that described in this paragraph. NO WARRANTY OF MERCHANTABILITY OR OF FITNESS FOR PURPOSE SHALL APPLY.

Limitation of Liability: Pinnacle Express, Inc.'s liability on any claims for loss or damage arising out of this contract or from the performance or breach thereof or connected with the supplying of products hereunder, or its sale, resale, operation or use, whether based on warranty, contract, negligence or other grounds shall not exceed the price allowable for such products or parts thereof involved in the claim. Pinnacle Express, Inc. shall not, under any circumstances, be liable for any labor charges unless agreed upon in advance and in writing by Pinnacle Express, Inc. and the manufacturer of the products involved. Pinnacle Express, Inc. shall not in any event be liable for special or consequential damages, including, but not limited to, loss of profits or revenue, loss of use of the product or any associated product, cost of capital, cost of substitute products, facilities or services, downtime costs, or claims of customers of the Buyer for such damages.

General: The possession of this Price List by anyone is not to be considered as an offer to sell any of the Products contained herein. This Price List supercedes all previous price lists or memorandums. Pinnacle Express, Inc.'s existing Trade Terms and Conditions remain in effect.

The above Terms and Conditions shall be a part of all Orders accepted by Pinnacle Express, Inc. and shall supercede any conflicting provisions of our customer's purchase orders. These terms and conditions are subject to change without notice.

