



2022 PERLICK RETAIL PRICE BOOK



Perlick Retail Price Book

Effective July 1, 2022

800-292-8374

www.pinnacleexpress.com



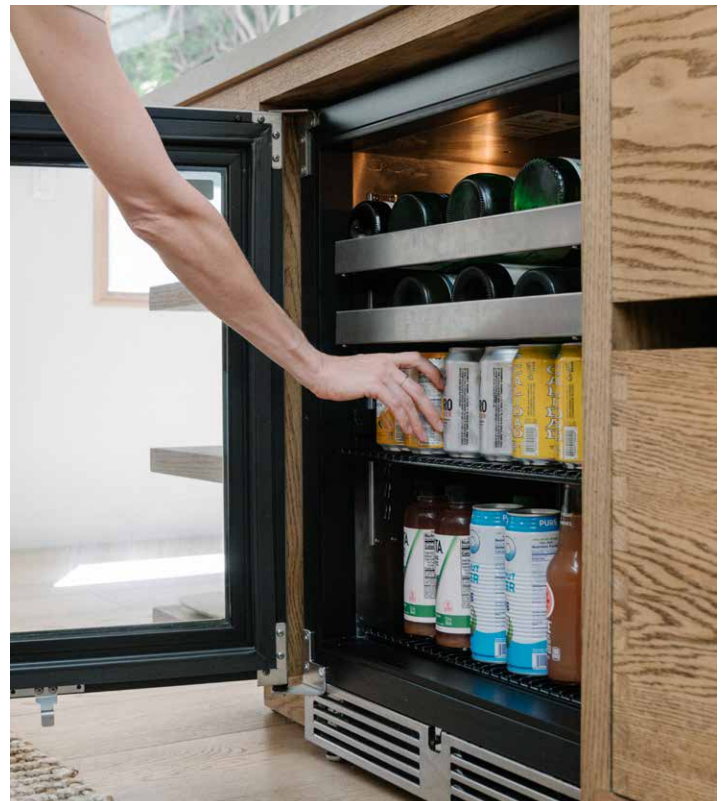
The Experts in Professional Refrigeration Performance are Bringing it Home

Family owned since 1917 and headquartered in Milwaukee, Wisconsin, Perlick Corporation is dedicated to providing innovative, quality customizable food and beverage storage and serving solutions. Perlick is a national manufacturing leader in commercial bar and beverage systems, residential undercounter refrigeration and brewery fittings.

Perlick's award-winning, luxury residential product line features integrated column refrigerators, freezers and wine reserves, as well as indoor and outdoor undercounter refrigerators, wine reserves, freezers, freezer and refrigerator drawers, ice makers, and Beverage Dispensers.



HP15RS-4-3L, HP24ZS-4-5-15" Signature Series Refrigerator and 24" Signature Series Dual-Zone Freezer/Refrigerator Drawers



HP24WS-4-3L+3R" Signature Series Wine Reserves Stainless Steel Glass Doors

TABLE OF CONTENTS

	PAGE
Features and Benefits	5
Why Perlick	6
Signature Series / C Series Product Comparison	7
Refrigerator Comparison	7
Beverage Center Comparison	8
Wine Reserve Comparison	9
Beverage Dispenser Comparison	10
Indoor Products	13
C-Series	13
Signature Series	17
15" Signature Series	17
24" Signature Series	21
24" Signature Series - Sottile 18" Shallow Depth	27
ADA-Compliant Series	31
Outdoor Products	35
C-Series - 24" Outdoor Refrigerator and Beverage Dispensers	35
Signature Series	38
15" Outdoor Signature Series	39
24" Outdoor Signature Series	44
24" Outdoor Signature Series - Sottile 18" Shallow Depth	51
NEW Marine Grade Products	54
Signature Series	56
15" Outdoor Signature Series	58
24" Outdoor Signature Series	61
24" Outdoor Signature Series - Sottile 18" Shallow Depth	67
Perlick Column Refrigeration - 24" and 30"	72
Perlick Accessories	77
Available Door Styles	80
Keg Layouts	80
Specifications	81
Frequently Asked Questions	92
Perlick Limited Warranty and Service Information	94
Pinnacle Express, Inc. Terms and Conditions of Sale	95



FEATURES AND BENEFITS

INNOVATIVE FEATURES

Commercial History and Heritage:

Since its founding in 1917, Perlick has become the premier supplier of Bar/Beverage Dispensing Equipment in the United States. More than 60% of professional sports stadiums use Perlick Commercial Products.

Designed and Engineered in the USA:

All Perlick products are proudly designed and engineered in the USA.

Pinnacle Express Inventory:

We keep over 170 models stocked year round. Transit time is a maximum of three days after designated weekly ship day.

Industry's Best Warranty:

Industry's best 6 year parts and labor warranty with Product Registration on complete unit for undercounter refrigeration and 12 years additional limited warranty on column refrigeration.

Commercial Grade 304 Stainless Steel Interior:

All commercial-grade 304 stainless interior provides an attractive, sanitary and easy to clean advantage.

Variable Speed Compressor:

Variable Speed Compressors provide very quick temperature draw-down along with energy efficiency, optimal performance and less noise.

Forced-Air Technology:

Unique Forced-Air Technology provides consistent temperature throughout the unit - eliminates "cold" spots and "hot" spots.

Patented Multi-Temperature Technology:

Multi-Temperature Technology in the dual-zone models allows for multi-compartment, multi-temperature cooling from one compressor, increasing usable space, energy efficiency, and the convenience of multi-temperatures in a single unit.

State of the Art Control Modules:

A discretely located module allows the end-user to easily set each temperature zone.

Quality Construction:

Laser-cut hinges, strong and elegant door pulls, high-quality commercial-grade 304 stainless interior and exterior construction allows the consumer to experience commercial durability in a home appliance product.

Energy Efficiency:

ENERGY STAR rating, variable speed compressor, 2" thick insulation layer, and extra-wide magnetic gasket makes Perlick top rated for energy efficiency.

Adjustable Height, Full-Extension Pullout Shelving:

Vinyl protection and commercial-grade slides provide an unmatched solution in convenience and reliability.

Protection of Food, Wine, Beer:

Protection of food, wine and other perishable products - Perlick products are designed to keep food products fresh for both indoor and outdoor applications.

FEATURES AND BENEFITS

A PRODUCT FOR EVERY APPLICATION AND NEED

As the company that established the All Stainless Product Category in the USA, Perlick continues to bring new and innovative products to the residential market:

- Column Refrigerators, Freezers and Wine Reserves
- Full Line of 24" Column Refrigerator, Freezer and Wine Units.
- Full Line of 15" Wide Products
- Full Line of 24" Wide Products
- Full Line of ADA Compliant Products
- Full Line of Sottile 18" Shallow Depth Products
- Full Line of Outdoor Rated Products

Award Winning Products!



Perlick's stainless steel interiors are standard on all of their units. Unlike traditional plastic interiors, stainless steel prevents staining and odors for years of long-lasting beauty.





Why Perlick?

Here are the top five reasons to choose Perlick's undercounter refrigeration.

Forced-Air Refrigeration



Perlick's powerful variable speed compressors deliver the industry's **quickest cool down**. Being variable speed, **we are silent**, up to 30% quieter than competitors.

Stainless Steel Interiors



Our **commercial-grade stainless steel interiors** are durable, attractive, easy to clean, and resistant to odors, stains and mold. They're what the professionals demand for their kitchens.

Full 6 Year Warranty



Enjoy **peace of mind** with the best warranty in the business. We stand behind our products. Enjoy a full 6 year parts and labor warranty.

Design Flexibility



Perlick boasts the **industry's widest selection of ENERGY STAR™ Rated** undercounter refrigeration. Available in 15" and 24" models, ADA compliant models, columns and industry exclusive 18" deep models, Perlick has refrigeration to accommodate any sized indoor or outdoor space. All models are available in stainless steel or Panel Ready door/drawer options with field-reversible hinging.

Superior Shelving



All Perlick undercounter door style models come standard with **full extension pullout shelving**. Shelves are black vinyl coated and adjustable anywhere in the cabinet to accommodate various sized products. Shelves glide smoothly in and out of the cabinet on stainless steel ball-bearing glides for ease of use.



Refrigerator Comparison

What is the difference between the 24" Signature Series and 24" C-Series Refrigerator?

SIGNATURE SERIES
(HP24RS/HP24RO)

C-SERIES
(HC24RB/HC24RO)

1,000 BTU
VARIABLE SPEED

COMPRESSOR

Signature Series:
1,000 Btu variable speed

800 BTU
VARIABLE SPEED

C-Series: 800 Btu variable speed



CONTROLLER

Signature Series:
Blue digital controller



C-Series: Red digital controller



INTERIOR LIGHT

Both series now feature adjustable LEDs that can be switched between Crisp White and Cool Blue.



OUTDOOR MODEL AVAILABLE?

Signature Series:
Yes, all Signature Series Refrigerators are available as indoor and outdoor models



C-Series:

Available as solid door and drawer models

EXTERIOR/HANDLE



Signature Series:
Stainless Steel exterior Two-Tone Signature handle

C-Series:

Black Vinyl Clad exterior (indoor models),
Stainless Steel exterior (outdoor models)/
Towel bar style handle





Beverage Center Comparison

What is the difference between the 24" Signature Series and 24" C-Series Beverage Center?

SIGNATURE SERIES
(HP24BS/HP24BO)

C-SERIES
(HC24BB)

COMPRESSOR

1,000 BTU
VARIABLE SPEED

Signature Series:
1,000 Btu variable speed

800 BTU
VARIABLE SPEED

C-Series: 800 Btu variable speed



CONTROLLER

Signature Series:
Blue digital controller



C-Series: Red digital controller



INTERIOR LIGHT

Both series now feature adjustable LEDs that can be switched between Crisp White and Cool Blue.



OUTDOOR MODEL AVAILABLE?

Signature Series:
Yes, all Signature Series Refrigerators are available as indoor and outdoor models

Not Available

C-Series: Not Available

EXTERIOR/HANDLE



Signature Series:
Stainless Steel exterior, Two-Tone Signature handle



C-Series:
Black Vinyl Clad exterior, Towel bar style handle



Wine Reserve Comparison

What is the difference between the 24" Signature Series and 24" C-Series Wine Reserve?

SIGNATURE SERIES
(HP24WS/HP24WO)

C-SERIES
(HC24WB)

1,000 BTU
VARIABLE SPEED

COMPRESSOR

Signature Series:
1,000 Btu variable speed

800 BTU
VARIABLE SPEED

C-Series: 800 Btu variable speed



CONTROLLER

Signature Series:
Blue digital controller



C-Series: Red digital controller



INTERIOR LIGHT

Both series now feature adjustable LEDs that can be switched between Crisp White and Cool Blue.



OUTDOOR MODEL AVAILABLE?

Signature Series:
Yes, all Signature Series Refrigerators are available as indoor and outdoor models

Not Available

C-Series: Not Available

EXTERIOR/HANDLE

Signature Series:
Stainless Steel exterior Two-Tone Signature handle



C-Series:

Black Vinyl Clad exterior, Towel bar style handle





Beverage Dispenser Comparison

What is the difference between the 24" Signature Series and the new 24" C-Series Beverage Dispensers?

SIGNATURE SERIES
(HP24BS/HP24BO)

C-SERIES
(HC24BB)

COMPRESSOR

1,000 BTU
VARIABLE SPEED

Signature Series:
1,000 Btu variable speed

800 BTU
VARIABLE SPEED

C-Series: 800 Btu variable speed



CONTROLLER

Signature Series:
Blue digital controller



C-Series: Red digital controller



INTERIOR LIGHT

Both series now feature adjustable LEDs that can be switched between Crisp White and Cool Blue.



Beverage Faucet

Signature Series:
Industry Exclusive 650SS Forward Sealing Flow Control Faucet

C-Series: Industry Exclusive 630SS Forward Sealing Faucet



EXTERIOR/HANDLE

Signature Series:
Stainless Steel exterior, Two-Tone Signature handle

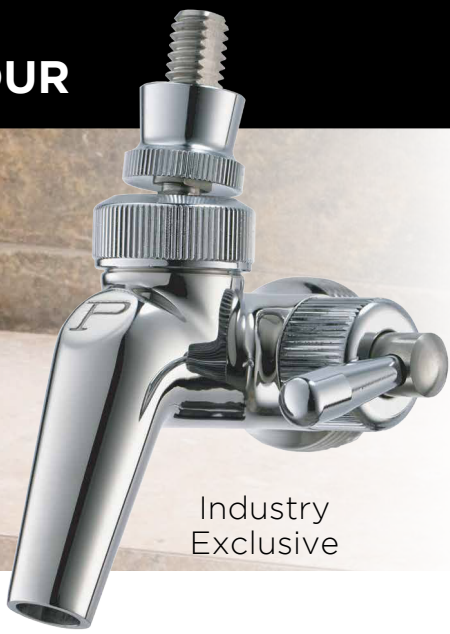
C-Series:
Black Vinyl Clad exterior (indoor models),
Stainless Steel exterior (outdoor models)/
Towel bar style handle





**INSPIRED BY
THE PERFECT POUR**

**Perlick 65055 Flow
Control Faucet**



Industry
Exclusive

INSPIRED BY THE SCIENCE OF CRAFT BEER

Perlick is known for impressive innovations in beer dispensing, and those same innovations have crossed over into our collection of Signature Series Beverage Dispensers.

We're excited to announce that all Signature Series Beverage Dispensers will be now outfitted with the revolutionary new **Forward-Sealing Flow Control Faucet**. Exclusive to Perlick, this new faucet puts you in control of the pour of your beer. Certain craft beers require a slower pour to create a proper head, which can be accomplished with a simple lever adjustment.



Slow the pour by adjusting the flow control lever downwards. Slowing the pour will help eliminate excessive foaming when pouring, particularly into frosted glasses, and aide in the proper serving of hard-to-pour craft beers.

Speed up the pour for standard macro brands or any easy-to-pour microbrews.

Learn more at perlick.com



Perlick Undercounter Refrigeration Units

There is a reason that Perlick is regarded as the industry leader in undercounter refrigeration. Unmatched cooling performance is complimented by a bevy of thoughtful design details for convenience and beauty. Inspired by their commercial offering, the residential undercounter products include a thoughtful selection of features in a wide variety of options. They have mastered the art of balancing innovation and craftsmanship. You can trust Perlick to provide precision temperature control and build every unit with the finest features and materials.



* Unit shown is a Signature Series HP24RS-4-3L.

C-Series - Indoor

Inspired by our commercial offering, the C-Series includes a thoughtful selection of features in a 24" width. We've mastered the art of balancing innovation and craftsmanship. You can trust Perlick to provide precision temperature control and build every unit with the finest features and materials. Select outdoor models available.

FEATURES

- Commercial-grade stainless steel interiors
- Designed with fully-integrated depth to allow flush fit surrounding cabinetry
- Zero-clearance hinging allows for abutment with surrounding cabinetry
- Crisp White or Cool Blue LED lights
- Digital LED Control
- Powered by a whisper-quiet, commercial grade, 800 Btu variable speed compressor
- Two-inch thick walls provide superior insulation and minimize vibrations
- Glass doors offer full UV protection
- Door locks available to prevent unwanted access
- Reversible swing door with optional hinge kit
- 6-year Parts and Labor Warranty
- Door Alarm included to alert when unit is left open



HC24BB-4-3R - 24" C-Series Beverage Center



REFRIGERATOR FEATURES

- Interior temperature control and light
- Available in one door and two-drawer configurations
- Industry exclusive full-extension pullout shelving makes finding items and restocking your refrigerator easy
- Refrigerator rated for both food and beverage storage
- Stainless steel ball bearing glides provide smooth movement of shelves
- Refrigerator temperature 33° to 42° F



BEVERAGE CENTER FEATURES

- Interior temperature control and light
- Three-vinyl coated, full-extension shelves: two top shelves are wine racks and third shelf can accommodate a variety of beverages
- Beverage Center temperature 33° to 48° F



WINE RESERVE FEATURES

- Interior temperature control and light
- Wine reserve construction eliminates vibration transfer to reserve
- Industry exclusive full-extension pullout shelving makes finding items and restocking your wine reserve easy
- Stainless steel ball bearing glides provide smooth movement of shelves
- Wine Reserve temperature 45° to 65° F



BEVERAGE DISPENSER FEATURES

- Dispense beer, wine or coffee
- Refrigeration system keeps beer at precise serving temperature
- Complete, self-contained beer system
- Portable drainer, no plumbing required
- Will hold one 1/4 keg or two 1/6 kegs
- Available with solid stainless steel or wood overlay door
- Beverage Dispenser temperature 33° to 42° F

STOCK ITEMS ARE LISTED IN RED

24" C-SERIES - INDOORS

Refrigerators

MODEL	DESCRIPTION	UMRP	MSRP
HC24RB-4-1_	SS solid door (Specify hinge)	\$ 3,408	\$ 3,647
HC24RB-4-2_	Panel Ready solid door (Specify hinge)	\$ 3,243	\$ 3,471
HC24RB-4-3_	SS glass door (Specify hinge)	\$ 3,599	\$ 3,851
HC24RB-4-4_	Panel Ready glass door (Specify hinge)	\$ 3,434	\$ 3,675
HC24RB-4-5	SS drawers	\$ 4,160	\$ 4,452
HC24RB-4-6	Panel Ready drawers	\$ 3,994	\$ 4,274

Beverage Centers

MODEL	DESCRIPTION	UMRP	MSRP
HC24BB-4-1_	SS solid door (Specify hinge)	\$ 3,472	\$ 3,716
HC24BB-4-2_	Panel Ready solid door (Specify hinge)	\$ 3,306	\$ 3,538
HC24BB-4-3_	SS glass door (Specify hinge)	\$ 3,675	\$ 3,933
HC24BB-4-4_	Panel Ready glass door (Specify hinge)	\$ 3,511	\$ 3,757

Wine Reserves

MODEL	DESCRIPTION	UMRP	MSRP
HC24WB-4-1_	SS solid door (Specify hinge)	\$ 3,613	\$ 3,866
HC24WB-4-2_	Panel Ready solid door (Specify hinge)	\$ 3,447	\$ 3,689
HC24WB-4-3_	SS glass door (Specify hinge)	\$ 3,802	\$ 4,069
HC24WB-4-4_	Panel Ready glass door (Specify hinge)	\$ 3,638	\$ 3,893

Beverage Dispensers

MODEL	DESCRIPTION	UMRP	MSRP
HC24TB-4-1_-1	SS solid door (Specify hinge) / 1 tap	\$ 4,438	\$ 4,749
HC24TB-4-2_-1	Panel Ready solid door (Specify hinge) / 1 tap	\$ 4,272	\$ 4,572
HC24TB-4-1_-2	SS solid door (Specify hinge) / 2 tap	\$ 4,960	\$ 5,308
HC24TB-4-2_-2	Panel Ready solid door (Specify hinge) / 2 tap	\$ 4,782	\$ 5,117

* **Must specify Right or Left hinge on ALL door units with R or L at end of model number. (Ex HC24RB-4-1R or HC24RB-4-1L)**

** For locking units, apply an additional \$32 charge to retail price and add an L after the hinge selection, if applicable. (Ex HC24RB-4-1RL or HC24RB-4-1LL)

*** For PANEL READY door locking units, you must add item number 67440L or 67440R.

For PANEL READY drawer locking units, you must add item number 67440R. (See Accessories on next page)

Available Door Styles



1 - SS Solid Door

2 - F.I. Solid Door

3 - SS Glass Door

4 - F.I. Glass Door

5 - SS Drawer

6 - F.I. Drawer

- Energy Star Rated

See Full List of Accessories on Page 77



STOCK ITEMS ARE LISTED IN RED

24" C-SERIES – INDOORS

Accessories for C-Series Beverage Dispensers

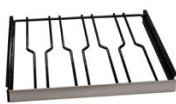
MODEL	DESCRIPTION	UMRP	MSRP
66585-2	Dual Faucet Tapping Kit (if sold separately)	\$ 1,905	\$ 2,039
63797	Beverage Dispenser Cleaning Kit (Includes Pump, Sanitizer & Tools to Clean Lines)	\$ 229	\$ 246
BLC4	Beverage Dispenser Sanitizer Bottle, 4 oz.	\$ 9.60	\$ 11
BLC32	Beverage Dispenser Sanitizer Bottle, 33 oz.	\$ 31.80	\$ 35
40030SSLS	Lo-Boy "S" Series Keg Coupler	\$ 220	\$ 236
308-40C	Faucet Lock for 630SS	\$ 119	\$ 128
630SS	Forward Sealing Faucet, SS	\$ 114	\$ 122
67141-1	Perlick Faucet Handle	\$ 110	\$ 118
67782	Drip Pan for Beer Dispensers	\$ 207	\$ 222
RS-CDK	Iced Coffee Dispensing Kit	\$ 675	\$ 723
RS-25KG	2.5 Gallon Coffe Keg	\$ 406	\$ 435
RS-NCY	Nitrogen Cylinder	\$ 204	\$ 219
RS-NDK	Nitrogen Dispensing Kit for Beverage Dispenser Models	\$ 2,608	\$ 2,791

Accessories for C-Series

MODEL	DESCRIPTION	UMRP	MSRP
67440L	Left Hinge Locking Kit for LH Panel Ready Models	\$ 147	\$ 158
67440R	Right Hinge Locking Kit for RH and Drawer Panel Ready Models	\$ 147	\$ 158
RS-SK-24L	Stacking Kit for HP24, HC24 & HA24 Models, LH	\$ 359	\$ 385
RS-SK-24R	Stacking Kit for HP24, HC24 & HA24 Models, RH	\$ 359	\$ 385
66736	Caster Kit for HP24, HC24 & HA24 Models	\$ 448	\$ 480
67439L	Left Hinge Kit	\$ 181	\$ 194
67439R	Right Hinge Kit	\$ 181	\$ 194
RS-24-24R	Refrigerator/Freezer Shelf for HP24, HC24 & HA24 Models	\$ 181	\$ 194
RS-24-24W	Wine Shelf for HP24, HC24 & HA24 Models	\$ 181	\$ 194
RS-24-24D	Divider Shelf for HP24, HC24 & HA24 Models	\$ 242	\$ 259
RS-24-24M	Martini Rack for HP24, HC24 & HA24 Models	\$ 363	\$ 389
67115-24	Wine Shelf Wood Faces for HP24, HH24, HC24 & HA24 Models (7 Pack)	\$ 151	\$ 162
67964	Stainless Steel Drawer Dividers for HP24 & HC24 Drawer Models (Set of 3)	\$ 121	\$ 130
RK24DP	Drawer Pan Organizer for HP24, HC24 & HA24 Drawer Models	\$ 302	\$ 324



RS-24-24R



RS-24-24W



RS-24-24D



67115-24



67964



RK24DP

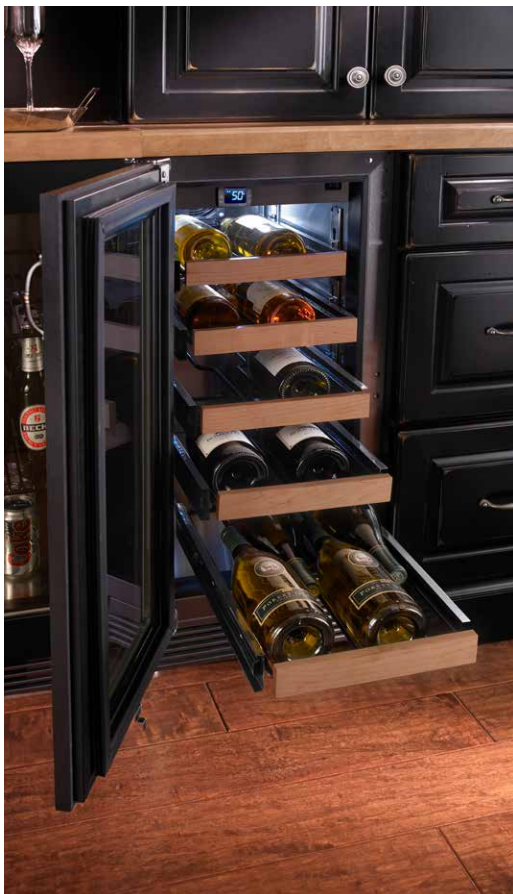
For Outdoor C-Series Refrigerator and Beverage Dispenser, See Page 35

15" Signature Series

They say good things come in small packages and Perlick Corporation is poised to prove this with its line of luxury undercounter refrigeration that is a mere 15" wide. The 15" Signature Series from Perlick features the world's first 15" Beverage Dispenser and the world's first 15" Refrigerator Drawers. Also included in this line is a Refrigerator, Beverage Center, Wine Reserve, and Clear Ice Maker. The entire 15" Signature Series is available in both indoor and outdoor models.

FEATURES

- Designed with fully-integrated depth to allow flush fit with surrounding cabinetry (with 3/4" wood overlay)
- Zero-clearance hinging allows for abutment with surrounding cabinetry
- Powered by a Best in Class, whisper-quiet, commercial grade, 1,000 Btu variable speed compressor
- Front-vented, RAPIDcool forced-air refrigeration
- Industry exclusive commercial-grade stainless steel interior
- Crisp White or Cool Blue LED lights
- Industry exclusive convertible door design allows all doors to be converted to wood overlay from stainless steel
- Low-E, UV-coated glass provides industry leading insulation and protection
- Door locks available
- 6-year Parts and Labor Warranty (excludes Clear Ice Makers)
- Door alarm included to alert when unit is left open



HP15WS-4-3L - 15" Signature Series Wine Reserve



HP15RS-4-3L / HP24ZS-4-5 - 15" Signature Series Refrigerator / 24" Signature Series Dual-Zone Freezer/Refrigerator Drawers



REFRIGERATOR FEATURES

- Two industry exclusive full-extension pullout shelves
- Full-extension shelves are adjustable
- Stainless steel ball bearing glides provide smooth movement of shelves
- Refrigerator rated for both food and beverage storage
- Refrigerator temperature 33° to 42° F



REFRIGERATOR DRAWER FEATURES

- Industry exclusive stainless steel drawers
- Drawers are tall enough to store bottles and gallons of milk
- Refrigerator drawers are rated for both food and beverage storage
- Refrigerator drawer temperature 33° to 42° F



BEVERAGE CENTER FEATURES

- Allows for storage of both wine and beverages
- Two wine shelves, one industry exclusive full extension pullout shelf
- Shelving positions are adjustable to suit your needs
- Beverage Center temperature 33° to 48° F



WINE RESERVE FEATURES

- Five shelves will store up to 20 wine bottles
- Extra storage under shelves for up to 3 additional bottles
- Stainless steel ball bearing glides provide smooth movement of shelves
- Cabinet construction eliminates vibration transfer to reserve
- Wine Reserve temperature 45° to 65° F



BEVERAGE DISPENSER FEATURES

- Dispense beer, wine or coffee
- Refrigeration system keeps beer at precise serving temperature
- Complete, self-contained beer system
- Portable drainer, no plumbing required
- Will hold one 1/6 keg
- Available with solid stainless steel or wood overlay door
- Beverage Dispenser temperature 33° to 42° F



ICE MAKER FEATURES

- Available in Clear and Cubelet Ice Versions
- Cubelet Ice Maker produces soft, chewable, nugget-shaped ice
- Clear Ice Maker produces up to 55 pounds of ice per day and stores up to 22 pounds of ice
- Cubelet produces up to 80 pounds of ice per day and stores up to 22 pounds of ice
- UL approved for outdoor use
- Optional drain pump recommended

STOCK ITEMS ARE LISTED IN RED

15" SIGNATURE SERIES - INDOOR

Refrigerators

MODEL	DESCRIPTION	UMRP	MSRP
HP15RS-4-1_	SS solid door (Specify hinge)	\$ 4,159	\$ 4,451
HP15RS-4-2_	Panel Ready solid door (Specify hinge)	\$ 3,992	\$ 4,272
HP15RS-4-3_	SS glass door (Specify hinge)	\$ 4,350	\$ 4,655
HP15RS-4-4_	Panel Ready glass door (Specify hinge)	\$ 4,183	\$ 4,476
HP15RS-4-5	SS drawers	\$ 4,915	\$ 5,260
HP15RS-4-6	Panel Ready drawers	\$ 4,748	\$ 5,081

Beverage Centers

MODEL	DESCRIPTION	UMRP	MSRP
HP15BS-4-1_	SS solid door (Specify hinge)	\$ 4,222	\$ 4,518
HP15BS-4-2_	Panel Ready solid door (Specify hinge)	\$ 4,055	\$ 4,339
HP15BS-4-3_	SS glass door (Specify hinge)	\$ 4,428	\$ 4,738
HP15BS-4-4_	Panel Ready glass door (Specify hinge)	\$ 4,261	\$ 4,560

Wine Reserves

MODEL	DESCRIPTION	UMRP	MSRP
HP15WS-4-1_	SS solid door (Specify hinge)	\$ 4,492	\$ 4,807
HP15WS-4-2_	Panel Ready solid door (Specify hinge)	\$ 4,326	\$ 4,629
HP15WS-4-3_	SS glass door (Specify hinge)	\$ 4,697	\$ 5,026
HP15WS-4-4_	Panel Ready glass door (Specify hinge)	\$ 4,531	\$ 4,849

Beverage Dispensers

MODEL	DESCRIPTION	UMRP	MSRP
HP15TS-4-1_-1	SS solid door (Specify hinge) / 1 tap	\$ 5,261	\$ 5,630
HP15TS-4-2_-1	Panel Ready solid door (Specify hinge) / 1 tap	\$ 5,095	\$ 5,452
HP15TS-4-1_-1A	SS solid door (Specify hinge) / Adara Tower	\$ 5,929	\$ 6,345
HP15TS-4-2_-1A	Panel Ready solid door (Specify hinge) / Adara Tower	\$ 5,762	\$ 6,166

* **Must specify Right or Left hinge on ALL door units with R or L at end of model number. (Ex HC24RB-4-1R or HC24RB-4-1L)**

** For locking units, apply an additional \$32 charge to retail price and add an L after the hinge selection, if applicable. (Ex HC24RB-4-1RL or HC24RB-4-1LL)

*** For PANEL READY door locking units, you must add item number 67440L or 67440R.

For PANEL READY drawer locking units, you must add item number 67440R. (See Accessories on next page)

Available Door Styles



1 - SS Solid Door 2 - F.I. Solid Door 3 - SS Glass Door 4 - F.I. Glass Door 5 - SS Drawer 6 - F.I. Drawer

* Equipped with Energy Star Technology

See Full List of Accessories on Page 77



STOCK ITEMS ARE LISTED IN RED

15" SIGNATURE SERIES - INDOOR

Ice Makers

MODEL	DESCRIPTION	UMRP	MSRP
H50IMS_	15" Signature Series Clear Ice Maker, SS Solid Door (Specify hinge)	\$ 4,805	\$ 5,142
H50IMW	15" Signature Series Clear Ice Maker, Panel Ready Solid Door, Hinge Reversible	\$ 4,805	\$ 5,142
H80CIMS_	15" Signature Series Cubelet Ice Maker, SS Solid Door (Specify hinge)	\$ 5,114	\$ 5,472
H80CIMW	15" Signature Series Cubelet Ice Maker, Panel Ready Solid Door, Hinge Reversible	\$ 5,114	\$ 5,472

Accessories - 15" Beverage Dispensers

MODEL	DESCRIPTION	UMRP	MSRP
66585-2	Dual Faucet Tapping Kit (if sold separately)	\$ 1,905	\$ 2,039
63797	Beverage Dispenser Cleaning Kit (Includes Pump, Sanitizer & Tools to Clean Lines)	\$ 229	\$ 246
BLC4	Beverage Dispenser Sanitizer Bottle, 4 oz.	\$ 9.60	\$ 11
BLC32	Beverage Dispenser Sanitizer Bottle, 33 oz.	\$ 31.80	\$ 35
40030SSLS	Lo-Boy "S" Series Keg Coupler	\$ 220	\$ 236
308-40C	Faucet Lock for 630SS	\$ 119	\$ 128
630SS	Forward Sealing Faucet, SS	\$ 114	\$ 122
67141-1	Perlick Faucet Handle	\$ 110	\$ 118
67782	Drip Pan for Beer Dispensers	\$ 207	\$ 222
RS-CDK	Iced Coffee Dispensing Kit	\$ 675	\$ 723
RS-25KG	2.5 Gallon Coffe Keg	\$ 406	\$ 435
RS-NCY	Nitrogen Cylinder	\$ 204	\$ 219
RS-NDK	Nitrogen Dispensing Kit for Beverage Dispenser Models	\$ 2,608	\$ 2,791

Accessories for all 15" Units

MODEL	DESCRIPTION	UMRP	MSRP
67440L	Left Hinge Locking Kit for LH Panel Ready Models	\$ 147	\$ 158
67440R	Right Hinge Locking Kit for RH and Drawer Panel Ready Models	\$ 147	\$ 158
RS-SK-15L	Stacking Kit for HP15 Models, LH	\$ 359	\$ 385
RS-SK-15R	Stacking Kit for HP15 Models, RH	\$ 359	\$ 385
66736-15	Caster Kit for HP15 Models	\$ 255	\$ 273
67439L	Left Hinge Kit	\$ 181	\$ 194
67439R	Right Hinge Kit	\$ 181	\$ 194
RS-15-15R	Refrigerator Shelf for HP15 Models	\$ 151	\$ 162
RS-15-15W	Wine Shelf for HP15 Models	\$ 151	\$ 162
67115-15	Wine Shelf Wood Faces for HP15 Models (5 Pack)	\$ 151	\$ 162

Accessories for Ice Makers

MODEL	DESCRIPTION	UMRP	MSRP
63802A	Drain Pump	\$ 507	\$ 543
67282	SS Toe Kick - Ice Makers	\$ 121	\$ 130
EV985700	Everpure EF3000 Filtration System	\$ 549	\$ 549

*Used by brands such as Heineken, Newcastle, Stella Artois, Amstel, Bemish, Murphy's, Strongbow and Hofbrau.

See Full List of Accessories on Page 77

24" Signature Series

It can hide discretely under a counter or it can make a bold statement as a functional stand-alone design element - either way, Perlick's 24" Signature Series undercounter refrigeration products provide you with exceptional versatility. The 24" Signature Series includes a Freezer and Refrigerator (with doors or drawers), Beverage Center, Beverage Dispenser, Wine Reserve and Dual Zone Wine/Wine, Refrigerator/Wine and Freezer/Refrigerator. Doors can be specified with glass or stainless steel and can be integrated into surrounding cabinetry with a wood overlay. All 24" Signature Series models feature Perlick's exclusive variable speed compressor providing quiet, efficient power; a polished stainless steel interior; full-height doors and recessed lighting to add extra elegance.

FEATURES

- Designed with fully-integrated depth to allow flush fit with surrounding cabinetry (with 3/4" wood overlay)
- Zero-clearance hinging allows for abutment with surrounding cabinetry
- Powered by a Best in Class, whisper-quiet, commercial grade, 1,000 Btu variable speed compressor
- Front-vented, forced-air refrigeration
- Industry exclusive full-extension shelving
- Industry exclusive stainless steel interior and exterior
- Industry exclusive convertible door design allows all doors to be converted to wood overlay from stainless steel
- Crisp White or Cool Blue LED lights
- Low-E, UV-coated glass provides industry leading insulation and protection
- Door locks available
- Enhanced interior digital display controller
- 6-year parts and labor warranty
- Door alarm included to alert when unit is left open



HP24CS-4-3L, HP24TS-4-1R2A 24" Signature Series Dual Zone Refrigerator/Wine Reserve/ 24" Signature Series Adara Beverage Dispenser



HP24CS-4-4L/ 24" Signature Series Dual Zone Refrigerator/ Wine Reserve with Overlay



REFRIGERATOR FEATURES

- Refrigerator rated for both food and beverage storage
- Available with stainless steel door, glass door, Panel Ready door, glass door with Panel Ready trim, two stainless steel drawers or two Panel Ready drawers.
- Refrigerator temperature 33° to 42° F



FREEZER FEATURES

- Freezer equipped with automatic hot gas defrost for maintenance-free defrosting
- Available with solid stainless steel door, Panel Ready door, two stainless steel drawers, or two Panel Ready drawers
- Freezer temperature -10° to 10° F



BEVERAGE CENTER FEATURES

- Beverage center rated for both food and beverage storage
- Allows for storage of both wine and beverages
- Available with stainless steel door, glass door, Panel Ready door, or glass door with Panel Ready trim
- Two full-extension wine shelves and one full-extension vinyl-coated shelf
- Shelving positions are adjustable to suit your needs
- Will hold up to 16 wine bottles, 62 cans, or 24 water bottles
- Beverage Center temperature 33° to 48° F



WINE RESERVE FEATURES

- Five shelves will store up to 40 wine bottles
- Available with stainless steel door, glass door, Panel Ready door, or Panel Ready glass door
- Extra storage under shelves for up to five additional bottles
- Stainless steel ball bearing glides provide smooth movement of shelves
- Cabinet construction eliminates vibration transfer to reserve
- Wine temperature 45° to 65° F



BEVERAGE DISPENSER FEATURES

- Dispense beer, wine or coffee
- Refrigeration system keeps beverages at precise serving temperature
- Available with solid stainless steel or Panel Ready door
- Complete, self-contained beverage system
- Portable drainer, no plumbing required
- Will hold one 1/4 keg or two 1/6 kegs
- Beverage Dispenser temperature 33° to 42° F



DUAL-ZONE WINE / WINE FEATURES

- Store red wine and white wine at their appropriate temperatures
- Full extension wine shelves are black vinyl coated to gently cradle bottles and reduce vibration
- Top zone (red wine) holds 14 bottles, bottom zone (white wine) holds 18 bottles
- Top zone temperature 51° to 65° F and bottom zone temperature 45° to 65° F



DUAL-ZONE FREEZER / REFRIGERATOR DRAWERS FEATURES

- Store fresh and frozen food at their appropriate temperatures
- Top drawer deep enough to accommodate a gallon of milk or other tall items
- Separate zones means no transfer of too-cold temperatures to the top compartment
- Top zone temperature 30° to 42° F and bottom zone temperature -10° to 10° F



DUAL-ZONE REFRIGERATOR / WINE FEATURES

- Store wine and food (or cold beverages) at their appropriate temperatures
- Accommodates 14 bottles of wine in top zone
- Bottom zone features full extension refrigerator shelf for easy stocking and retrieving of product
- Top zone temperature 45° to 65° F and bottom zone temperature 33° to 42° F



STOCK ITEMS ARE LISTED IN RED

24" SIGNATURE SERIES - INDOOR

Refrigerators

MODEL	DESCRIPTION	UMRP	MSRP
HP24RS-4-1_	Refrigerator, SS Solid Door (Specify hinge)	\$ 4,467	\$ 4,780
HP24RS-4-2_	Refrigerator, Panel Ready, Solid Door (Specify hinge)	\$ 4,299	\$ 4,600
HP24RS-4-3_	Refrigerator, SS Glass Door (Specify hinge)	\$ 4,672	\$ 5,000
HP24RS-4-4_	Refrigerator, Panel Ready, Glass Door (Specify hinge)	\$ 4,505	\$ 4,821
HP24RS-4-5	Refrigerator Drawers, SS	\$ 5,224	\$ 5,590
HP24RS-4-6	Refrigerator Drawers, Panel Ready	\$ 5,057	\$ 5,411

Freezers

MODEL	DESCRIPTION	UMRP	MSRP
HP24FS-4-1_	Freezer, SS Solid Door (Specify hinge)	\$ 4,876	\$ 5,218
HP24FS-4-2_	Freezer, Panel Ready Solid Door (Specify hinge)	\$ 4,711	\$ 5,041
HP24FS-4-5	Freezer, SS Drawers	\$ 5,646	\$ 6,042
HP24FS-4-6	Freezer, Panel Ready Drawers	\$ 5,480	\$ 5,864

Dual Zone Freezer/Refrigerator

MODEL	DESCRIPTION	UMRP	MSRP
HP24ZS-4-5	Dual Zone Freezer/Refrigerator, SS Drawers	\$ 6,478	\$ 6,932
HP24ZS-4-6	Dual Zone Freezer/Refrigerator, Panel Ready Drawers	\$ 6,324	\$ 6,767

Beverage Centers

MODEL	DESCRIPTION	UMRP	MSRP
HP24BS-4-1_	Beverage Center, SS Solid Door (Specify hinge)	\$ 4,544	\$ 4,863
HP24BS-4-2_	Beverage Center, Panel Ready Solid Door (Specify hinge)	\$ 4,363	\$ 4,669
HP24BS-4-3_	Beverage Center, SS Glass Door (Specify hinge)	\$ 4,735	\$ 5,067
HP24BS-4-4_	Beverage Center, Panel Ready Glass Door (Specify hinge)	\$ 4,568	\$ 4,888

Beverage Dispensers

MODEL	DESCRIPTION	UMRP	MSRP
HP24TS-4-1_-1	Beverage Dispenser, SS Solid Door (Specify hinge), Single Tap	\$ 5,583	\$ 5,974
HP24TS-4-2_-1	Beverage Dispenser, Panel Ready Solid Door (Specify hinge), Single Tap	\$ 5,416	\$ 5,796
HP24TS-4-1_-2	Beverage Dispenser, SS Solid Door (Specify hinge), Two Tap	\$ 6,071	\$ 6,496
HP24TS-4-2_-2	Beverage Dispenser, Panel Ready Solid Door (Specify hinge), Two Tap	\$ 5,903	\$ 6,317
HP24TS-4-1_-1A	Adara Beverage Dispenser, SS Solid Door (Specify hinge), Single Tap	\$ 6,251	\$ 6,689
HP24TS-4-2_-1A	Adara Beverage Dispenser, Panel Ready Solid Door (Specify hinge), Single Tap	\$ 6,084	\$ 6,510
HP24TS-4-1_-2A	Adara Beverage Dispenser, SS Solid Door (Specify hinge), Two Tap	\$ 6,738	\$ 7,210
HP24TS-4-2_-2A	Adara Beverage Dispenser, Panel Ready Solid Door (Specify hinge), Two Tap	\$ 6,571	\$ 7,031

* Equipped with Energy Star Technology

See Full List of Accessories on Page 77

STOCK ITEMS ARE LISTED IN RED

24" SIGNATURE SERIES - INDOOR

Dual Zone Refrigerator/Wine Reserve

MODEL	DESCRIPTION	UMRP	MSRP
HP24CS-4-1_	Dual Zone Refrigerator/Wine Reserve, SS Solid Door (Specify hinge)	\$ 5,507	\$ 5,893
HP24CS-4-2_	Dual Zone Refrigerator/Wine Reserve, Panel Ready Solid Door (Specify hinge)	\$ 5,338	\$ 5,712
HP24CS-4-3_	Dual Zone Refrigerator/Wine Reserve, SS Glass Door (Specify hinge)	\$ 5,710	\$ 6,110
HP24CS-4-4_	Dual Zone Refrigerator/Wine Reserve, Panel Ready Glass Door (Specify hinge)	\$ 5,547	\$ 5,936

Single Zone Wine Reserves

MODEL	DESCRIPTION	UMRP	MSRP
HP24WS-4-1_	Single Zone Wine Reserve, SS Solid Door (Specify hinge)	\$ 4,941	\$ 5,287
HP24WS-4-2_	Single Zone Wine Reserve, Panel Ready Solid Door (Specify hinge)	\$ 4,774	\$ 5,109
HP24WS-4-3_	Single Zone Wine Reserve, SS Glass Door (Specify hinge)	\$ 5,133	\$ 5,493
HP24WS-4-4_	Single Zone Wine Reserve, Panel Ready Glass Door (Specify hinge)	\$ 4,979	\$ 5,328

Dual Zone Wine Reserves

MODEL	DESCRIPTION	UMRP	MSRP
HP24DS-4-1_	Dual Zone Wine Reserve, SS Solid Door (Specify hinge)	\$ 5,275	\$ 5,645
HP24DS-4-2_	Dual Zone Wine Reserve, Panel Ready Solid Door (Specify hinge)	\$ 5,105	\$ 5,463
HP24DS-4-3_	Dual Zone Wine Reserve, SS Glass Door (Specify hinge)	\$ 5,471	\$ 5,854
HP24DS-4-4_	Dual Zone Wine Reserve, Panel Ready Glass Door (Specify hinge)	\$ 5,314	\$ 5,686

* **Must specify Right or Left hinge on ALL door units with R or L at end of model number. (Ex HC24RB-4-1R or HC24RB-4-1L)**

** For locking units, apply an additional \$32 charge to retail price and add an L after the hinge selection, if applicable. (Ex HC24RB-4-1RL or HC24RB-4-1LL)

*** For PANEL READY door locking units, you must add item number 67440L or 67440R. For PANEL READY drawer locking units, you must add item number 67440R. (See Accessories on Page 26)

Available Door Styles



1 - SS Solid Door



2 - F.I. Solid Door



3 - SS Glass Door



4 - F.I. Glass Door



5 - SS Drawer



6 - F.I. Drawer

* Equipped with Energy Star Technology

See Full List of Accessories on Page 77



STOCK ITEMS ARE LISTED IN RED

24" SIGNATURE SERIES - INDOOR

Accessories - 24" Beverage Dispensers

MODEL	DESCRIPTION	UMRP	UMRP
66585-2	Dual Faucet Tapping Kit (if sold separately)	\$ 1,905	\$ 2,039
63797	Beverage Dispenser Cleaning Kit (Includes Pump, Sanitizer & Tools to Clean Lines)	\$ 229	\$ 246
BLC4	Beverage Dispenser Sanitizer Bottle, 4 oz.	\$ 9.60	\$ 11
BLC32	Beverage Dispenser Sanitizer Bottle, 33 oz.	\$ 31.80	\$ 35
40030SSLS	Lo-Boy "S" Series Keg Coupler	\$ 220	\$ 236
308-40C	Faucet Lock for 630SS	\$ 119	\$ 128
630SS	Forward Sealing Faucet, SS	\$ 114	\$ 122
67141-1	Perlick Faucet Handle	\$ 110	\$ 118
67782	Drip Pan for Beer Dispensers	\$ 207	\$ 222
RS-CDK	Iced Coffee Dispensing Kit	\$ 675	\$ 723
RS-25KG	2.5 Gallon Coffe Keg	\$ 406	\$ 435
RS-NCY	Nitrogen Cylinder	\$ 204	\$ 219
RS-NDK	Nitrogen Dispensing Kit for Beverage Dispenser Models	\$ 2,608	\$ 2,791

Accessories for all 24" Units

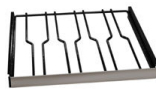
MODEL	DESCRIPTION	UMRP	UMRP
67440L	Left Hinge Locking Kit for LH Panel Ready Models	\$ 147	\$ 158
67440R	Right Hinge Locking Kit for RH and Drawer Panel Ready Models	\$ 147	\$ 158
RS-SK-24L	Stacking Kit for HP24, HC24 & HA24 Models, LH	\$ 359	\$ 385
RS-SK-24R	Stacking Kit for HP24, HC24 & HA24 Models, RH	\$ 359	\$ 385
66736	Caster Kit for HP24, HC24 & HA24 Models	\$ 448	\$ 480
67439L	Left Hinge Kit	\$ 181	\$ 194
67439R	Right Hinge Kit	\$ 181	\$ 194
RS-24-24R	Refrigerator/Freezer Shelf for HP24, HC24 & HA24 Models	\$ 181	\$ 194
RS-24-24W	Wine Shelf for HP24, HC24 & HA24 Models	\$ 181	\$ 194
RS-24-24WD	Dual Zone Wine Shelf for HP24D Models	\$ 181	\$ 194
RS-24-24D	Divider Shelf for HP24, HC24 & HA24 Models	\$ 242	\$ 259
RS-24-24M	Martini Rack for HP24, HC24 & HA24 Models	\$ 363	\$ 389
67115-24	Wine Shelf Wood Faces for HP24, HH24, HC24 & HA24 Models (7 Pack)	\$ 151	\$ 162
65629	Wine Bottle Display Rack	\$ 121	\$ 130
67964	Stainless Steel Drawer Dividers for HP24 & HC24 Drawer Models (Set of 3)	\$ 121	\$ 130
RK24DP	Drawer Pan Organizer for HP24, HC24 & HA24 Drawer Models	\$ 302	\$ 324



RS-24-24R



RS-24-24M



RS-24-24W



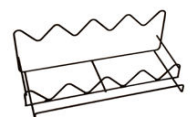
RS-24-24D



RS-24-24WD



67115-24



65629

**Used by brands such as Heineken, Newcastle, Stella Artois, Amstel, Bemish, Murphy's, Strongbow and Hofbrau.

See Full List of Accessories on Page 62

24" Signature Series Sottile 18" Shallow Depth

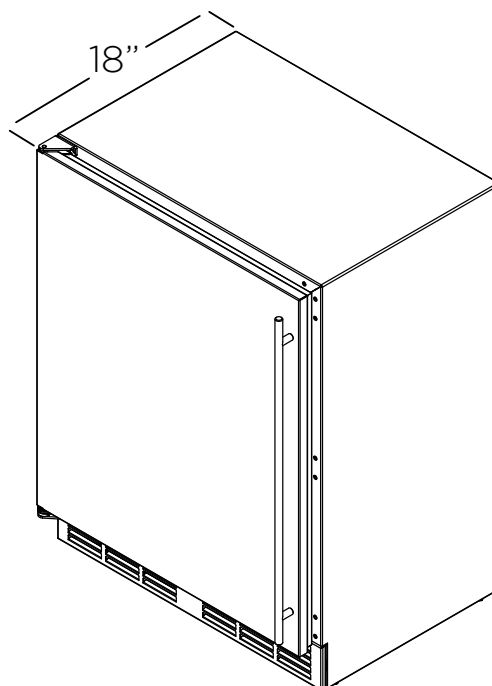
As the leader in innovative undercounter refrigeration, Perlick Corporation introduces the world's first shallow-depth series. This ground-breaking product is the perfect fit for a variety of hospitality and residential applications where the standard 24" depth product isn't suitable. Designers, architects and homeowners alike now have the ability to place a refrigerator, beverage center or wine reserve in unique applications such as kitchen islands, credenzas and even stacked on top of a counter.

FEATURES

- ADA-compliant 32" height with leveling legs
- Designed for maximum capacity while adhering to strict 34" counter height ADA-compliant requirements
- 18" depth for design flexibility
- Zero-clearance hinging allows for abutment with surrounding cabinetry
- Powered by a Best in Class, whisper-quiet, commercial grade, 1,000 Btu variable speed compressor
- Front-vented, RAPIDcool forced-air refrigeration system
- Commercial-grade stainless steel interior
- Industry exclusive convertible door design allows all doors the ability to be converted to wood overlay from stainless steel
- Enhanced interior digital display controller
- Crisp White or Cool Blue LED lights
- Low E, UV coated glass provides industry leading insulation and protection
- 6-year parts and labor warranty
- Door alarm included to alert when unit is left open



**HH24BS-4-3R - 24" Shallow
Depth 18" Series Beverage Center**





REFRIGERATOR FEATURES

- Available with solid stainless steel door, Panel Ready door, glass with stainless trim door or Panel Ready glass door
- Industry exclusive full-extension adjustable pull-out shelves makes finding items and restocking your refrigerator easy
- Stainless steel ball bearing glides provide smooth movement of shelves
- 3.1 cubic feet of capacity refrigerator rated for both food and beverage storage
- Refrigerator temperature 33° to 42°F



BEVERAGE CENTER FEATURES

- Beverage center rated for both food and beverage storage
- Available with solid stainless door, Panel Ready door, glass with stainless trim door or Panel Ready glass door
- Allows for storage of both wine and beverages
- Two (2) wine shelves, one (1) Industry exclusive adjustable full extension pullout shelves
- Shelving positions are adjustable to suit your needs
- Beverage Center temperature 33° to 48° F



WINE RESERVE FEATURES

- Available with solid stainless door, Panel Ready door, glass with stainless trim door or fully integrated glass door
- Four (4) adjustable shelves will store up to 20 wine bottles with extra storage under shelves for additional bottles
- Wine Reserve temperature 45° to 65° F

STOCK ITEMS ARE LISTED IN RED

24" SIGNATURE SERIES 18" SHALLOW DEPTH - INDOOR

Refrigerators

MODEL	DESCRIPTION	UMRP	MSRP
HH24RS-4-1_	18" Depth Refrigerator, SS Solid Door (Specify hinge)	\$ 3,757	\$ 4,020
HH24RS-4-2_	18" Depth Refrigerator, Panel Ready Solid Door (Specify hinge)	\$ 3,590	\$ 3,842
HH24RS-4-3_	18" Depth Refrigerator, SS Glass Door (Specify hinge)	\$ 3,953	\$ 4,230
HH24RS-4-4_	18" Depth Refrigerator, Panel Ready Glass Door (Specify hinge)	\$ 3,784	\$ 4,049

Beverage Centers

MODEL	DESCRIPTION	UMRP	MSRP
HH24BS-4-1_	18" Depth Beverage Center, SS Solid Door (Specify hinge)	\$ 3,823	\$ 4,091
HH24BS-4-2_	18" Depth Beverage Center, Panel Ready Solid Door (Specify hinge)	\$ 3,654	\$ 3,910
HH24BS-4-3_	18" Depth Beverage Center, SS Glass Door (Specify hinge)	\$ 4,031	\$ 4,314
HH24BS-4-4_	18" Depth Beverage Center, Panel Ready Glass Door (Specify hinge)	\$ 3,862	\$ 4,133

Wine Reserves

MODEL	DESCRIPTION	UMRP	MSRP
HH24WS-4-1_	18" Depth Wine Reserve, SS Solid Door (Specify hinge)	\$ 3,966	\$ 4,244
HH24WS-4-2_	18" Depth Wine Reserve, Panel Ready Solid Door (Specify hinge)	\$ 3,797	\$ 4,063
HH24WS-4-3_	18" Depth Wine Reserve, SS Glass Door (Specify hinge)	\$ 4,160	\$ 4,452
HH24WS-4-4_	18" Depth Wine Reserve, Panel Ready Glass Door (Specify hinge)	\$ 3,992	\$ 4,272

*** Must specify Right or Left hinge on ALL door units with R or L at end of model number. (Ex HC24RB-4-1R or HC24RB-4-1L)**

** For locking units, apply an additional \$32 charge to retail price and add an L after the hinge selection, if applicable. (Ex HC24RB-4-1RL or HC24RB-4-1LL)

*** For PANEL READY door locking units, you must add item number 67440L or 67440R.

For PANEL READY drawer locking units, you must add item number 67440R. (See Accessories on Page 26)

Available Door Styles



1 - SS Solid Door



2 - F.I. Solid Door



3 - SS Glass Door



4 - F.I. Glass Door

* Equipped with Energy Star Technology

See Full List of Accessories on Page 77



24" SIGNATURE SERIES 18" SHALLOW DEPTH - INDOOR

Accessories for all 18" Shallow Depth Units

MODEL	DESCRIPTION	UMRP	UMRP
67440L	Left Hinge Locking Kit for LH Panel Ready Models	\$ 147	\$ 158
67440R	Right Hinge Locking Kit for RH and Drawer Panel Ready Models	\$ 147	\$ 158
RS-SK-18L	Stacking Kit for HH24, LH	\$ 359	\$ 385
RS-SK-18R	Stacking Kit for HH24, RH	\$ 359	\$ 385
67439L	Left Hinge Kit	\$ 181	\$ 194
67439R	Right Hinge Kit	\$ 181	\$ 194
RS-18-18R	Refrigerator Shelf or HH24 Models	\$ 206	\$ 221
RS-18-18W	Wine Shelf for HH24 Models	\$ 242	\$ 259
67115-24	Wine Shelf Wood Faces for HP24, HH24, HC24 & HA24 Models (7 Pack)	\$ 151	\$ 162
67992-L	Stacking Kit for HH24 Models, LH	\$ 388	\$ 416
RS-TK-HH24-6	6" Toe Kick - SS, for Gen 3 HH24 Models	\$ 242	\$ 259



RS-18-18R



RS-18-18W



67115-24

ADA-Compliant Series

Perlick proudly offers the industry's widest selection of 32" height ADA-Compliant under counter refrigeration. Featuring full-extension pullout shelving, stainless steel interior and the industry-leading RAPIDcool forced-air refrigeration system, Perlick has superior quality ADA-Compliant 32" height refrigeration for indoor and outdoor applications. The ADA-Compliant series includes a refrigerator, freezer, beverage center, wine reserve and ice maker.

FEATURES

- ADA-compliant 32" height with leveling legs
- Designed for maximum capacity while adhering to strict 32" counter height ADA-compliant requirements
- Fully-integrated depth to allow flush fit with surrounding cabinetry
- Zero-clearance hinging allows for abutment with surrounding cabinetry
- With 3/4" wood overlay, the unit will stand flush with cabinetry
- Powered by a whisper-quiet, commercial grade, 800 Btu variable speed compressor
- Front-vented, RAPIDcool forced-air refrigeration system
- Commercial-grade stainless steel interior
- Maintenance-free automatic cycle free defrost
- Industry exclusive convertible door design allows all doors the ability to be converted to wood overlay from stainless steel
- Low E, UV coated glass provides industry leading insulation and protection
- 6-year parts and labor warranty
- Door alarm included to alert when unit is left open



HA24BS-4-3R - 24" ADA Compliant Wine Center with Glass Door



REFRIGERATOR FEATURES

- Industry exclusive full-extension pull-out shelves makes finding items and restocking your refrigerator easy
- Full-extension shelves are adjustable
- Stainless steel ball bearing glides provide smooth movement of shelves
- Industry exclusive drawers
- Refrigerator rated for both food and beverage storage
- Refrigerator temperature 33° to 42° F



FREEZER FEATURES

- Full-extension shelves/drawers pull completely out of the unit allowing easy storage and access to freezer contents
- Equipped with automatic hot gas defrost for maintenance-free defrosting
- Freezer temperature -10° to 10° F



CLEAR ICE MAKER FEATURES

- Produces up to 55 pounds of ice per day and stores up to 22 pounds of ice
- UL-approved for outdoor use
- Quiet, efficient operation
- Optional drain pump
- Elegant stainless steel door and polished handle



BEVERAGE CENTER FEATURES

- Beverage center rated for both food and beverage storage
- Allows for storage of both wine and beverages
- Two (2) wine shelves, one (1) Industry exclusive full-extension pullout shelf
- Shelving positions are adjustable to suit your needs
- Beverage Center temperature 33° to 48° F



WINE RESERVE FEATURES

- Five (5) shelves will store up to 40 wine bottles
- Shelving positions are adjustable to suit your needs
- Wine Reserve temperature 45° to 65° F



CUBELET ICE MAKER FEATURES

- Produces up to 80 lbs. of ice per day
- UL-approved for outdoor use
- Storage capacity of 22 lbs. of ice
- Produces soft, chewable, nugget-shaped ice
- Power switch accessible without panel removal
- Ice is designed to absorb the flavors of beverages and is popular to crunch on
- Optional drain pump recommended
- Elegant stainless steel door and polished handle

STOCK ITEMS ARE LISTED IN RED

24" ADA COMPLIANT SERIES - INDOOR

Refrigerators

MODEL	DESCRIPTION	UMRP	MSRP
HA24RB-4-1_	ADA Compliant Refrigerator, SS Solid Door (Specify hinge)	\$ 3,397	\$ 3,635
HA24RB-4-2_	ADA Compliant Refrigerator, Panel Ready Solid Door (Specify hinge)	\$ 3,231	\$ 3,458
HA24RB-4-3_	ADA Compliant Refrigerator, SS Glass Door (Specify hinge)	\$ 3,587	\$ 3,839
HA24RB-4-4_	ADA Compliant Refrigerator, Panel Ready Glass Door (Specify hinge)	\$ 3,422	\$ 3,662
HA24RB-4-5	ADA Compliant Refrigerator, SS Drawers	\$ 4,145	\$ 4,436
HA24RB-4-6	ADA Compliant Refrigerator, Panel Ready Drawers	\$ 3,982	\$ 4,261

Freezers

MODEL	DESCRIPTION	UMRP	MSRP
HA24FB-4-1_	ADA Compliant Freezer, SS Solid Door (Specify hinge)	\$ 3,802	\$ 4,069
HA24FB-4-2_	ADA Compliant Freezer, Panel Ready Solid Door (Specify hinge)	\$ 3,638	\$ 3,893
HA24FB-4-5	ADA Compliant Freezer, SS Drawers	\$ 4,565	\$ 4,885
HA24FB-4-6	ADA Compliant Freezer, Panel Ready Drawers	\$ 4,402	\$ 4,711

Beverage Centers

MODEL	DESCRIPTION	UMRP	MSRP
HA24BB-4-1_	ADA Compliant Beverage Center, SS Solid Door (Specify hinge)	\$ 3,461	\$ 3,704
HA24BB-4-2_	ADA Compliant Beverage Center, Panel Ready Solid Door (Specify hinge)	\$ 3,295	\$ 3,526
HA24BB-4-3_	ADA Compliant Beverage Center, SS Glass Door (Specify hinge)	\$ 3,663	\$ 3,920
HA24BB-4-4_	ADA Compliant Beverage Center, Panel Ready Glass Door (Specify hinge)	\$ 3,498	\$ 3,743

Wine Reserves

MODEL	DESCRIPTION	UMRP	UMRP
HA24WB-4-1_	ADA Compliant Wine Reserve, SS Solid Door (Specify hinge)	\$ 3,599	\$ 3,851
HA24WB-4-2_	ADA Compliant Wine Reserve, Panel Ready Solid Door (Specify hinge)	\$ 3,434	\$ 3,675
HA24WB-4-3_	ADA Compliant Wine Reserve, SS Glass Door (Specify hinge)	\$ 3,791	\$ 4,057
HA24WB-4-4_	ADA Compliant Wine Reserve, Panel Ready Glass Door (Specify hinge)	\$ 3,625	\$ 3,879

* **Must specify Right or Left hinge on ALL door units with R or L at end of model number. (Ex HC24RB-4-1R or HC24RB-4-1L)**

** For locking units, apply an additional \$32 charge to retail price and add an L after the hinge selection, if applicable. (Ex HC24RB-4-1RL or HC24RB-4-1LL)

*** For PANEL READY door locking units, you must add item number 67440L or 67440R. For PANEL READY drawer locking units, you must add item number 67440R. (See Accessories on Page 26)

Available Door Styles on next page

* Equipped with Energy Star Technology

See Full List of Accessories on Page 77



STOCK ITEMS ARE LISTED IN RED

15" ADA COMPLIANT SERIES - INDOOR

Ice Makers

MODEL	DESCRIPTION	UMRP	MSRP
H50IMS-AD_	ADA Compliant Clear Ice Maker, SS Solid Door (Specify hinge)	\$ 4,671	\$ 4,998
H50IMW-AD	ADA Compliant Clear Ice Maker, Panel Ready Solid Door, Hinge Reversible	\$ 4,671	\$ 4,998
H80CIMS-AD_	ADA Compliant Cubelet Ice Maker, SS Solid Door (Specify hinge)	\$ 4,972	\$ 5,321
H80CIMW-AD	ADA Compliant Cubelet Ice Maker, Panel Ready Solid Door, Hinge Reversible	\$ 4,972	\$ 5,321

Accessories for Ice Makers

MODEL	DESCRIPTION	UMRP	MSRP
63802A	Drain Pump	\$ 507	\$ 543
67282	SS Toe Kick - Ice Makers	\$ 121	\$ 130
EV985700	Everpure EF3000 Filtration System	\$ 549	\$ 549

Accessories for all 24" ADA Units

MODEL	DESCRIPTION	UMRP	MSRP
67440L	Left Hinge Locking Kit for LH Panel Ready Models	\$ 147	\$ 158
67440R	Right Hinge Locking Kit for RH and Drawer Panel Ready Models	\$ 147	\$ 158
RS-SK-24L	Stacking Kit for HP24, HC24 & HA24 Models, LH	\$ 359	\$ 385
RS-SK-24R	Stacking Kit for HP24, HC24 & HA24 Models, RH	\$ 359	\$ 385
66736	Caster Kit for HP24, HC24 & HA24 Models	\$ 448	\$ 480
67439L	Left Hinge Kit	\$ 181	\$ 194
67439R	Right Hinge Kit	\$ 181	\$ 194
RS-24-24R	Refrigerator/Freezer Shelf for HP24, HC24 & HA24 Models	\$ 181	\$ 194
RS-24-24W	Wine Shelf for HP24, HC24 & HA24 Models	\$ 181	\$ 194
RS-24-24D	Divider Shelf for HP24, HC24 & HA24 Models	\$ 242	\$ 259
RS-24-24M	Martini Rack for HP24, HC24 & HA24 Models	\$ 363	\$ 389
67115-24	Wine Shelf Wood Faces for HP24, HH24, HC24 & HA24 Models (7 Pack)	\$ 151	\$ 162
RK24DP	Drawer Pan Organizer for HP24, HC24 & HA24 Drawer Models	\$ 302	\$ 324
RS-TK-HA24-6	6" Toe Kick - SS, for Gen 3 HA24 Models	\$ 248	\$ 266

Available Door Styles



1 - SS Solid Door



2 - F.I. Solid Door



3 - SS Glass Door



4 - F.I. Glass Door



5 - SS Drawer



6 - F.I. Drawer

* Equipped with Energy Star Technology

See Full List of Accessories on Page 77

Outdoor Products - C-Series

Perlick offers an outdoor refrigerator and Beverage Dispenser as part of its C-Series product line. Perlick has outdoor undercounter refrigeration that balances commercial-grade construction with the refined aesthetics of residential appliances – all while standing up to the hottest of summer days.

FEATURES

- Commercial-grade stainless steel interior
- Powered by a whisper-quiet, commercial grade, 800 Btu variable speed compressor
- UL rated for Indoor / Outdoor use
- Interior temperature control and light
- Available in one door and two-drawer configurations
- Industry exclusive full-extension pullout shelving makes finding items and restocking your refrigerator easy
- Stainless steel ball bearing glides provide smooth movement of shelves
- Refrigerator rated for both food and beverage storage
- Refrigerator temperature 33° to 42° F
- 6 year parts and labor warranty
- Door alarm included to alert when the unit is left open



24" C-SERIES - OUTDOORS



REFRIGERATOR FEATURES

- UL-rated for outdoor use
- Storage for 144 cans
- Rated for food and beverage storage
- Features Perlick's exclusive RAPIDcool forced-air refrigeration system, providing industry leading cooling performance
- Stainless steel interior and exterior
- Temperature range: 33° - 42°F (.5° - 5.5°C)



BEVERAGE DISPENSER FEATURES

- Dispense beer, wine or coffee
- Commercial-grade stainless steel interior
- UL rated for Indoor / Outdoor use
- Interior temperature control and light
- Beverage Dispenser temperature 33° to 42° F
- Beverage Dispenser will hold one 1/4 keg or two 1/6 kegs
- Complete, self-contained beer system

Refrigerators

MODEL	DESCRIPTION	UMRP	MSRP
HC24RO-4-1_	Outdoor Refrigerator, SS Solid Door (Specify hinge)	\$ 3,752	\$ 4,015
HC24RO-4-2_	Outdoor Refrigerator, Panel Ready Solid Door (Specify hinge)	\$ 3,587	\$ 3,839
HC24RO-4-5	Outdoor Refrigerator, SS Drawers	\$ 4,503	\$ 4,819
HC24RO-4-6	Outdoor Refrigerator, Panel Ready Drawers	\$ 4,503	\$ 4,819

Beverage Dispensers

MODEL	DESCRIPTION	UMRP	MSRP
HC24TO-4-1_-1	Outdoor Beverage Dispenser, SS Solid Door (Specify hinge), Single Tap	\$ 4,782	\$ 5,117
HC24TO-4-2_-1	Outdoor Beverage Dispenser, Panel Ready Solid Door (Specify hinge), Single Tap	\$ 4,616	\$ 4,940
HC24TO-4-1_-2	Outdoor Beverage Dispenser, SS Solid Door (Specify hinge), Two Tap	\$ 5,291	\$ 5,662
HC24TO-4-2_-2	Outdoor Beverage Dispenser, Panel Ready Solid Door (Specify hinge), Two Tap	\$ 5,125	\$ 5,484

- Energy Star Rated

STOCK ITEMS ARE LISTED IN RED

24" C-SERIES - OUTDOORS

Accessories for C-Series Beverage Dispensers

MODEL	DESCRIPTION	UMRP	MSRP
66585-2	Dual Faucet Tapping Kit (if sold separately)	\$ 1,905	\$ 2,039
63797	Beverage Dispenser Cleaning Kit (Includes Pump, Sanitizer & Tools to Clean Lines)	\$ 229	\$ 246
BLC4	Beverage Dispenser Sanitizer Bottle, 4 oz.	\$ 9.60	\$ 11
BLC32	Beverage Dispenser Sanitizer Bottle, 33 oz.	\$ 31.80	\$ 35
40030SSLS	Lo-Boy "S" Series Keg Coupler	\$ 220	\$ 236
308-40C	Faucet Lock for 630SS	\$ 119	\$ 128
630SS	Forward Sealing Faucet, SS	\$ 114	\$ 122
67141-1	Perlick Faucet Handle	\$ 110	\$ 118
67782	Drip Pan for Beer Dispensers	\$ 207	\$ 222
RS-CDK	Iced Coffee Dispensing Kit	\$ 675	\$ 723
RS-25KG	2.5 Gallon Coffe Keg	\$ 406	\$ 435
RS-NCY	Nitrogen Cylinder	\$ 204	\$ 219
RS-NDK	Nitrogen Dispensing Kit for Beverage Dispenser Models	\$ 2,608	\$ 2,791

Accessories for C-Series

MODEL	DESCRIPTION	UMRP	MSRP
67440L	Left Hinge Locking Kit for LH Panel Ready Models	\$ 147	\$ 158
67440R	Right Hinge Locking Kit for RH and Drawer Panel Ready Models	\$ 147	\$ 158
RS-SK-24L	Stacking Kit for HP24, HC24 & HA24 Models, LH	\$ 359	\$ 385
RS-SK-24R	Stacking Kit for HP24, HC24 & HA24 Models, RH	\$ 359	\$ 385
66736	Caster Kit for HP24, HC24 & HA24 Models	\$ 448	\$ 480
67439L	Left Hinge Kit	\$ 181	\$ 194
67439R	Right Hinge Kit	\$ 181	\$ 194
RS-24-24R	Refrigerator/Freezer Shelf for HP24, HC24 & HA24 Models	\$ 181	\$ 194
RS-24-24D	Divider Shelf for HP24, HC24 & HA24 Models	\$ 242	\$ 259
67964	Stainless Steel Drawer Dividers for HP24 & HC24 Drawer Models (Set of 3)	\$ 121	\$ 130
RK24DP	Drawer Pan Organizer for HP24, HC24 & HA24 Drawer Models	\$ 302	\$ 324

* **Must specify Right or Left hinge on ALL door units with R or L at end of model number. (Ex HC24RB-4-1R or HC24RB-4-1L)**

** For locking units, apply an additional \$32 charge to retail price and add an L after the hinge selection, if applicable.
(Ex HC24RB-4-1RL or HC24RB-4-1LL)

*** For PANEL READY door locking units, you must add item number 67440L or 67440R.
For PANEL READY drawer locking units, you must add item number 67440R.

Available Door Styles



1 - SS Solid Door



2 - F.I. Solid Door



5 - SS Drawer



6 - F.I. Drawer

See Full List of Accessories on Page 77



Outdoor Products - Signature Series

Perlick goes beyond the interior of the home and redefines outdoor entertaining with its luxury line of outdoor products. Finished in beautiful stainless steel, featuring anti-condensation technology and UL approved for outdoor use, Perlick's Signature Series outdoor line features a variable speed compressor that allows all of the units to maintain a desired temperature in any type of environment. The first to offer a glass door refrigerator and wine reserve for outdoor use, Perlick's line also includes Refrigerator, Freezer, Beverage Centers, Beverage Dispensers and Dual-Zone Wine/Wine, Refrigerator/Wine and Freezer/Refrigerator.

In addition to offering the flexibility to be installed indoors or outdoors - all units (including units configured with glass doors) are UL rated for outdoor use and include Perlick's pioneering standard feature of commercial-grade stainless steel interiors and exteriors. The 24" Signature Series line also features adjustable full-extension pull-out shelves, convertible door design, zero-clearance hinging, RAPIDcool forced-air refrigeration system, and the Industry Best 6-year parts and labor warranty.

FEATURES

- Available in 15" and 24" models.
- Powered by a Best in Class, whisper-quiet, commercial grade, 1,000 Btu variable speed compressor
- Designed with fully-integrated depth to allow flush fit surrounding cabinetry
- Commercial-grade stainless steel interiors and exteriors
- Anti-condensation technology
- Industry exclusive full-extension shelving
- Two-inch thick walls provide superior insulation and minimize vibrations
- Glass doors offer full UV protection
- Door locks available to prevent unwanted access
- Enhanced interior display controller
- UL approved for outdoor use
- 6 year parts and labor warranty
- Door alarm included to alert when the unit is left open



HP24CO-4-3L / 24" Signature Series Dual-Zone Outdoor Refrigerator / Wine Reserve

Outdoor Products - 15" Signature Series

Perlick's 15" Signature Series outdoor undercounter refrigeration is perfect for small outdoor spaces for storing a variety of foods and beverages. Every unit is UL-rated for outdoor use and are engineered for optimal performance even on the hottest summer days.

15" FEATURES

- Powered by a Best in Class, whisper-quiet, commercial grade, 1,000 Btu variable speed compressor
- Refrigerator rated for both food and beverage storage
- Beverage Center has two full-extension wine racks and one full-extension shelf
- Wine Reserve can hold up to 20 bottles of wine
- Beverage Dispenser will hold one 1/6 keg
- Clear Ice Maker produces up to 55 pounds of ice per day and stores up to 22 pounds of ice
- Available Models: Refrigerator, Beverage Center, Wine Reserve, Beverage Dispenser, Ice Maker



HP15TO-4-1L , 15" Signature Series Outdoor Beverage Dispenser/ HP24BO-4-3L Signature Series Beverage Center

15" SIGNATURE SERIES - OUTDOOR



OUTDOOR REFRIGERATOR FEATURES

- UL-rated for outdoor use
- Storage for 66 cans
- Rated for food and beverage storage
- Features Perlick's exclusive RAPIDcool forced-air refrigeration system, providing industry leading cooling performance
- Stainless steel interior and exterior
- Temperature range: 33° - 42°F (.5° - 5.5°C)



OUTDOOR BEVERAGE CENTER FEATURES

- UL-rated for outdoor use
- Storage for 8 wine bottles and 30 cans
- Rated for food and beverage storage
- Features Perlick's exclusive RAPIDcool forced-air refrigeration system, providing industry leading cooling performance
- Stainless steel interior and exterior
- Temperature range: 33° - 48°F (.5° - 8.8°C)



OUTDOOR WINE RESERVE FEATURES

- UL-rated for outdoor use
- Storage for 20 wine bottles
- Features Perlick's exclusive RAPIDcool forced-air refrigeration system, providing industry leading cooling performance
- Stainless steel interior and exterior
- Dual-pane, Low-E glass with UV-resistant coating protects wine from harmful sun light
- Temperature range: 45° - 65°F (7.2° - 8.8°C)



OUTDOOR BEVERAGE DISPENSER FEATURES

- Dispense beer, wine or coffee
- UL-approved for indoor and outdoor use
- Accommodates one 1/6 Barrel
- Self-contained beverage system with portable drainer - no plumbing required
- Features Perlick's exclusive RAPIDcool forced-air refrigeration system, providing industry leading cooling performance
- Stainless steel interior and exterior
- Temperature range: 33° - 42°F (.5° - 5.5°C)
- "D" System Lo-Boy keg coupler included; "S" System Lo-Boy keg coupler also available for those who favor certain European beers



CLEAR ICE MAKER FEATURES

- UL-approved for indoor and outdoor use
- Produces up to 55 lbs of ice product per 24 hour period
- Storage capacity of 22 lbs of clear ice
- Clear ice production
- Top hat shaped ice
- Available with stainless steel or panel-ready door
- Optional drain pump available
- Two Year Warranty



CUBELET ICE MAKER FEATURES

- UL-approved for outdoor use
- Produces up to 80 lbs. of ice per 24 hour period
- Storage capacity of 22 lbs. of ice
- Produces soft, chewable, nugget-shaped ice
- Power switch accessible without panel removal
- Ice is designed to absorb the flavors of beverages and is popular to crunch on
- Optional drain pump
- Elegant stainless steel door and polished handle
- Two Year Warranty



STOCK ITEMS ARE LISTED IN RED

15" SIGNATURE SERIES - OUTDOOR Refrigerators

MODEL	DESCRIPTION	UMRP	MSRP
HP15RO-4-1_	Outdoor Refrigerator, SS Solid Door (Specify hinge)	\$ 4,505	\$ 4,821
HP15RO-4-2_	Outdoor Refrigerator, Panel Ready Solid Door (Specify hinge)	\$ 4,338	\$ 4,642
HP15RO-4-3_	Outdoor Refrigerator, SS Glass Door (Specify hinge)	\$ 4,711	\$ 5,041
HP15RO-4-4_	Outdoor Refrigerator, Panel Ready Glass Door (Specify hinge)	\$ 4,544	\$ 4,863
HP15RO-4-5	Outdoor Refrigerator, SS Drawers	\$ 5,261	\$ 5,630
HP15RO-4-6	Outdoor Refrigerator, Panel Ready Drawers	\$ 5,095	\$ 5,452

Beverage Centers

MODEL	DESCRIPTION	UMRP	MSRP
HP15BO-4-1_	Outdoor Beverage Center, SS Solid Door (Specify hinge)	\$ 4,568	\$ 4,888
HP15BO-4-2_	Outdoor Beverage Center, Panel Ready Solid Door (Specify hinge)	\$ 4,401	\$ 4,710
HP15BO-4-3_	Outdoor Beverage Center, SS Glass Door (Specify hinge)	\$ 4,774	\$ 5,109
HP15BO-4-4_	Outdoor Beverage Center, Panel Ready Glass Door (Specify hinge)	\$ 4,606	\$ 4,929

Wine Reserves

MODEL	DESCRIPTION	UMRP	MSRP
HP15WO-4-1_	Outdoor Wine Reserve, SS Solid Door (Specify hinge)	\$ 4,838	\$ 5,177
HP15WO-4-2_	Outdoor Wine Reserve, Panel Ready Solid Door (Specify hinge)	\$ 4,672	\$ 5,000
HP15WO-4-3_	Outdoor Wine Reserve, SS Glass Door (Specify hinge)	\$ 5,044	\$ 5,398
HP15WO-4-4_	Outdoor Wine Reserve, Panel Ready Glass Door (Specify hinge)	\$ 4,876	\$ 5,218

Beverage Dispensers

MODEL	DESCRIPTION	UMRP	MSRP
HP15TO-4-1_-1	Outdoor Beverage Dispenser, SS Solid Door (Specify hinge), Single Tap	\$ 5,610	\$ 6,003
HP15TO-4-2_-1	Outdoor Beverage Dispenser, Panel Ready Solid Door (Specify hinge), Single Tap	\$ 5,442	\$ 5,823

Ice Makers

MODEL	DESCRIPTION	UMRP	MSRP
H50IMS_	15" Signature Series Clear Ice Maker, SS Solid Door (Specify hinge)	\$ 4,805	\$ 5,142
H50IMW	15" Signature Series Clear Ice Maker, Panel Ready Solid Door, Hinge Reversible	\$ 4,805	\$ 5,142
H80CIMS_	15" Signature Series Cubelet Ice Maker, SS Solid Door (Specify hinge)	\$ 5,114	\$ 5,472
H80CIMW	15" Signature Series Cubelet Ice Maker, Panel Ready Solid Door, Hinge Reversible	\$ 5,114	\$ 5,472

*** Must specify Right or Left hinge on ALL door units with R or L at end of model number. (Ex HC24RB-4-1R or HC24RB-4-1L)**

** For locking units, apply an additional \$32 charge to retail price and add an L after the hinge selection, if applicable. (Ex HC24RB-4-1RL or HC24RB-4-1LL)

*** For PANEL READY door locking units, you must add item number 67440L or 67440R. For PANEL READY drawer locking units, you must add item number 67440R. (See Accessories on Page 43)

* Equipped with Energy Star Technology

See Full List of Accessories on Page 77

STOCK ITEMS ARE LISTED IN RED

15" SIGNATURE SERIES - OUTDOOR

Accessories - 15" Beverage Dispensers

MODEL	DESCRIPTION	UMRP	MSRP
66585-2	Dual Faucet Tapping Kit (if sold separately)	\$ 1,905	\$ 2,039
63797	Beverage Dispenser Cleaning Kit (Includes Pump, Sanitizer & Tools to Clean Lines)	\$ 229	\$ 246
BLC4	Beverage Dispenser Sanitizer Bottle, 4 oz.	\$ 9.60	\$ 11
BLC32	Beverage Dispenser Sanitizer Bottle, 33 oz.	\$ 31.80	\$ 35
40030SSLS	Lo-Boy "S" Series Keg Coupler	\$ 220	\$ 236
308-40C	Faucet Lock for 630SS	\$ 119	\$ 128
630SS	Forward Sealing Faucet, SS	\$ 114	\$ 122
67141-1	Perlick Faucet Handle	\$ 110	\$ 118
67782	Drip Pan for Beer Dispensers	\$ 207	\$ 222
RS-CDK	Iced Coffee Dispensing Kit	\$ 675	\$ 723
RS-25KG	2.5 Gallon Coffe Keg	\$ 406	\$ 435
RS-NCY	Nitrogen Cylinder	\$ 204	\$ 219
RS-NDK	Nitrogen Dispensing Kit for Beverage Dispenser Models	\$ 2,608	\$ 2,791

Accessories for all 15" Units

MODEL	DESCRIPTION	UMRP	MSRP
67440L	Left Hinge Locking Kit for LH Panel Ready Models	\$ 147	\$ 158
67440R	Right Hinge Locking Kit for RH and Drawer Panel Ready Models	\$ 147	\$ 158
RS-SK-15L	Stacking Kit for HP15 Models, LH	\$ 359	\$ 385
RS-SK-15R	Stacking Kit for HP15 Models, RH	\$ 359	\$ 385
66736-15	Caster Kit for HP15 Models	\$ 255	\$ 273
67439L	Left Hinge Kit	\$ 181	\$ 194
67439R	Right Hinge Kit	\$ 181	\$ 194
RS-15-15R	Refrigerator Shelf for HP15 Models	\$ 151	\$ 162
RS-15-15W	Wine Shelf for HP15 Models	\$ 151	\$ 162
67115-15	Wine Shelf Wood Faces for HP15 Models (5 Pack)	\$ 151	\$ 162

Accessories for Ice Makers

MODEL	DESCRIPTION	UMRP	MSRP
63802A	Drain Pump	\$ 507	\$ 543
67282	SS Toe Kick - Ice Makers	\$ 121	\$ 130
EV985700	Everpure EF3000 Filtration System	\$ 549	\$ 549

Available Door Styles



1 - SS Solid Door

2 - F.I. Solid Door

3 - SS Glass Door

4 - F.I. Glass Door

5 - SS Drawer

6 - F.I. Drawer

See Full List of Accessories on Page 77



Outdoor Products - 24" Signature Series

Designed for best-in-class performance on hot summer days, Perlick's 24" Signature Series outdoor undercounter refrigeration offers a wide selection of storage for food and beverages in your outdoor kitchen or entertaining space. Powered by a robust 1,000 Btu variable-speed compressor, Perlick's RAPIDcool forced-air refrigeration system outperforms comparable competitor units. Beverages are completely chilled twice as fast - and consistent - as the leading competitor model. UL-rated for outdoor use.

24" FEATURES

- Powered by a Best in Class, whisper-quiet, commercial grade, 1,000 Btu variable speed compressor
- Refrigerator rated for both food and beverage storage
- Beverage Center has two full-extension wine racks and one full-extension shelf
- Perlick's exclusive variable speed compressor - provides precise temperature control and energy-efficient cooling
- Industry exclusive freezer equipped with automatic hot gas defrost for maintenance-free defrosting
- Optional Martini Glass Chiller Rack (freezer only)
- Wine Reserve can hold up to 40 bottles of wine
- Beverage Dispenser comes with a complete, self-contained beer system and portable drainer, no plumbing required
- Available Models: Refrigerator, Freezer, Beverage Center, Wine Reserve, Beverage Dispenser
- 6 year parts and labor warranty
- Door alarm included to alert when the unit is left open



HP24BO-4-3L, 24" Signature Series Outdoor Beverage Center

24" SIGNATURE SERIES - OUTDOOR



OUTDOOR FREEZER FEATURES

- UL-rated for outdoor use
- 5.2 cu. ft. of storage capacity
- Features Perlick's exclusive RAPIDcool forced-air refrigeration system, providing industry leading cooling performance
- Freezer equipped with automatic hot gas defrost for maintenance-free defrosting
- Stainless steel interior and exterior
- Temperature range: -10° - 10°F (-23.3° - -12.2°C)



OUTDOOR DUAL-ZONE FREEZER/REFRIGERATOR FEATURES

- UL rated for outdoor use
- Two independently-controlled temperature zones provide flexible storage for food and beverages
- Features Perlick's exclusive RAPIDcool forced-air refrigeration system, providing industry leading cooling performance
- Stainless steel interior and exterior
- Temperature range for top drawer (Refrigerator): 30° - 42°F (-1.1° - 5.5°C)
- Temperature range for bottom drawer (Freezer): -10° - 10°F (-23.3° - -17.7°C)
- Freezer equipped with automatic hot gas defrost for maintenance-free defrosting



OUTDOOR REFRIGERATOR FEATURES

- UL-rated for outdoor use
- Storage for 144 cans
- 5.2 cu. ft. storage capacity
- Features Perlick's exclusive RAPIDcool forced-air refrigeration system, providing industry leading cooling performance
- Stainless steel interior and exterior
- Temperature range: 33° - 42°F (.5° - 5.5°C)

24" SIGNATURE SERIES - OUTDOOR



OUTDOOR DUAL-ZONE REFRIGERATOR/WINE RESERVE FEATURES

- UL-rated for outdoor use
- Two independently-controlled temperature zones provide flexible storage for food, beverage and wine storage
- Storage capacity for 14 wine bottles and 41 cans
- Features Perlick's exclusive RAPIDcool forced-air refrigeration system, providing industry leading cooling performance
- Stainless steel interior and exterior
- Temperature range for top zone (Wine): 45° - 65°F (7.2° - 18.3°C)
- Temperature range for bottom zone (Refrigerator): 33° - 42°F (.5° - 5.5°C)



OUTDOOR BEVERAGE CENTER FEATURES

- UL-rated for outdoor use
- Storage for 16 wine bottles and 62 cans
- Rated for food and beverage storage
- Features Perlick's exclusive RAPIDcool forced-air refrigeration system, providing industry leading cooling performance
- Stainless steel interior and exterior
- Temperature range: 33° - 48°F (.5° - 8.8°C)



OUTDOOR WINE RESERVE FEATURES

- UL-rated for outdoor use
- Storage for 40 wine bottles on five shelves
- 5.2 cu. ft. storage capacity
- Features Perlick's exclusive RAPIDcool forced-air refrigeration system, providing industry leading cooling performance
- Stainless steel interior and exterior
- Temperature range: 45° - 65°F (7.2° - 18.3°C)

24" SIGNATURE SERIES - OUTDOOR



OUTDOOR DUAL-ZONE WINE/WINE FEATURES

- UL-rated for outdoor use
- Two independently-controlled temperature zones provide precision temperature control for red and white wines
- Storage for 14 wine bottles of red wine and 18 bottle of white wine
- Features Perlick's exclusive RAPIDcool forced-air refrigeration system, providing industry leading cooling performance
- Stainless steel interior and exterior
- Temperature range for top zone (Red Wine): 51° - 65°F (10.5° - 18.3°C)
- Temperature range for bottom zone (White Wine): 45° - 65°F (7.2° - 18.3°C)



OUTDOOR BEVERAGE DISPENSER FEATURES

- Dispense beer, wine or coffee
- UL-rated for outdoor use
- Two 1/6 Barrels or One 1/4 Barrel (slim or standard)
- Self-contained beverage system with portable drainer - no plumbing required
- Features Perlick's exclusive RAPIDcool forced-air refrigeration system, providing industry leading cooling performance
- Stainless steel interior and exterior
- Temperature range: 33° - 42°F (.5° - 5.5°C)
- "D" System Lo-Boy keg coupler(s) included; "S" System Lo-Boy keg coupler also available for those who favor certain European beers



STOCK ITEMS ARE LISTED IN RED

24" SIGNATURE SERIES - OUTDOOR

Refrigerators

MODEL	DESCRIPTION	UMRP	MSRP
HP24RO-4-1_	Outdoor Refrigerator, SS Solid Door (Specify hinge)	\$ 4,801	\$ 5,138
HP24RO-4-2_	Outdoor Refrigerator, Panel Ready Solid Door (Specify hinge)	\$ 4,645	\$ 4,971
HP24RO-4-3_	Outdoor Refrigerator, SS Glass Door (Specify hinge)	\$ 5,005	\$ 5,356
HP24RO-4-4_	Outdoor Refrigerator, Panel Ready Glass Door (Specify hinge)	\$ 4,838	\$ 5,177
HP24RO-4-5	Outdoor Refrigerator, SS Drawers	\$ 5,571	\$ 5,961
HP24RO-4-6	Outdoor Refrigerator, Panel Ready Drawers	\$ 5,404	\$ 5,783

Freezers

MODEL	DESCRIPTION	UMRP	MSRP
HP24FO-4-1_	Outdoor Freezer, SS Solid Door (Specify hinge)	\$ 5,210	\$ 5,575
HP24FO-4-2_	Outdoor Freezer, Panel Ready Solid Door (Specify hinge)	\$ 5,044	\$ 5,398
HP24FO-4-5	Outdoor Freezer, SS Drawers	\$ 5,980	\$ 6,399
HP24FO-4-6	Outdoor Freezer, Panel Ready Drawers	\$ 5,813	\$ 6,220

Dual Zone Freezer/Refrigerator

MODEL	DESCRIPTION	UMRP	MSRP
HP24ZO-4-5	Outdoor Dual Zone Freezer/Refrigerator, SS Drawers	\$ 6,812	\$ 7,289
HP24ZO-4-6	Outdoor Dual Zone Freezer/Refrigerator, Panel Ready Drawers	\$ 6,658	\$ 7,125

Beverage Centers

MODEL	DESCRIPTION	UMRP	MSRP
HP24BO-4-1_	Outdoor Beverage Center, SS Solid Door (Specify hinge)	\$ 4,876	\$ 5,218
HP24BO-4-2_	Outdoor Beverage Center, Panel Ready Solid Door (Specify hinge)	\$ 4,711	\$ 5,041
HP24BO-4-3_	Outdoor Beverage Center, SS Glass Door (Specify hinge)	\$ 5,082	\$ 5,438
HP24BO-4-4_	Outdoor Beverage Center, Panel Ready Glass Door (Specify hinge)	\$ 4,915	\$ 5,260

Beverage Dispensers

MODEL	DESCRIPTION	UMRP	MSRP
HP24TO-4-1_-1	Outdoor Beverage Dispenser, SS Solid Door (Specify hinge), Single Tap	\$ 5,903	\$ 6,317
HP24TO-4-2_-1	Outdoor Beverage Dispenser, Panel Ready Solid Door (Specify hinge), Single Tap	\$ 5,750	\$ 6,153
HP24TO-4-1_-2	Outdoor Beverage Dispenser, SS Solid Door (Specify hinge), Two Tap	\$ 6,416	\$ 6,866
HP24TO-4-2_-2	Outdoor Beverage Dispenser, Panel Ready Solid Door (Specify hinge), Two Tap	\$ 6,251	\$ 6,689

* Must specify Right or Left hinge on ALL door units with R or L at end of model number. (Ex HC24RB-4-1R or HC24RB-4-1L)

** For locking units, apply an additional \$32 charge to retail price and add an L after the hinge selection, if applicable. (Ex HC24RB-4-1RL or HC24RB-4-1LL)

*** For PANEL READY door locking units, you must add item number 67440L or 67440R. For PANEL READY drawer locking units, you must add item number 67440R. (See Accessories on Page 50)

* Equipped with Energy Star Technology

See Full List of Accessories on Page 77

STOCK ITEMS ARE LISTED IN RED

24" SIGNATURE SERIES - OUTDOOR

Dual Zone Refrigerator/Wine Reserve

MODEL	DESCRIPTION	UMRP	MSRP
HP24CO-4-1_	Outdoor Dual Zone Refrigerator/Wine Reserve, SS Solid Door (Specify hinge)	\$ 5,831	\$ 6,240
HP24CO-4-2_	Outdoor Dual Zone Refrigerator/Wine Reserve, Panel Ready Solid Door (Specify hinge)	\$ 5,662	\$ 6,059
HP24CO-4-3_	Outdoor Dual Zone Refrigerator/Wine Reserve, SS Glass Door (Specify hinge)	\$ 6,025	\$ 6,447
HP24CO-4-4_	Outdoor Dual Zone Refrigerator/Wine Reserve, Panel Ready Glass Door (Specify hinge)	\$ 5,856	\$ 6,266

Single Zone Wine Reserves

MODEL	DESCRIPTION	UMRP	MSRP
HP24WO-4-1_	Outdoor Single Zone Wine Reserve, SS Solid Door (Specify hinge)	\$ 5,275	\$ 5,645
HP24WO-4-2_	Outdoor Single Zone Wine Reserve, Panel Ready Solid Door (Specify hinge)	\$ 5,107	\$ 5,465
HP24WO-4-3_	Outdoor Single Zone Wine Reserve, SS Glass Door (Specify hinge)	\$ 5,480	\$ 5,864
HP24WO-4-4_	Outdoor Single Zone Wine Reserve, Panel Ready Glass Door (Specify hinge)	\$ 5,314	\$ 5,686

Dual Zone Wine Reserves

MODEL	DESCRIPTION	UMRP	MSRP
HP24DO-4-1_	Outdoor Dual Zone Wine Reserve, SS Solid Door (Specify hinge)	\$ 5,672	\$ 6,070
HP24DO-4-2_	Outdoor Dual Zone Wine Reserve, Panel Ready Solid Door (Specify hinge)	\$ 5,506	\$ 5,892
HP24DO-4-3_	Outdoor Dual Zone Wine Reserve, SS Glass Door (Specify hinge)	\$ 5,878	\$ 6,290
HP24DO-4-4_	Outdoor Dual Zone Wine Reserve, Panel Ready Glass Door (Specify hinge)	\$ 5,711	\$ 6,111

* **Must specify Right or Left hinge on ALL door units with R or L at end of model number. (Ex HC24RB-4-1R or HC24RB-4-1L)**

** For locking units, apply an additional \$32 charge to retail price and add an L after the hinge selection, if applicable. (Ex HC24RB-4-1RL or HC24RB-4-1LL)

*** For PANEL READY door locking units, you must add item number 67440L or 67440R.

For PANEL READY drawer locking units, you must add item number 67440R. (See Accessories on Page 50)

Available Door Styles



1 - SS Solid Door



2 - F.I. Solid Door



3 - SS Glass Door



4 - F.I. Glass Door



5 - SS Drawer



6 - F.I. Drawer

* Equipped with Energy Star Technology

See Full List of Accessories on Page 77



STOCK ITEMS ARE LISTED IN RED

24" SIGNATURE SERIES - OUTDOOR

Accessories - 24" Beverage Dispensers

MODEL	DESCRIPTION	UMRP	UMRP
66585-2	Dual Faucet Tapping Kit (if sold separately)	\$ 1,905	\$ 2,039
63797	Beverage Dispenser Cleaning Kit (Includes Pump, Sanitizer & Tools to Clean Lines)	\$ 229	\$ 246
BLC4	Beverage Dispenser Sanitizer Bottle, 4 oz.	\$ 9.60	\$ 11
BLC32	Beverage Dispenser Sanitizer Bottle, 33 oz.	\$ 31.80	\$ 35
40030SSLS	Lo-Boy "S" Series Keg Coupler	\$ 220	\$ 236
308-40C	Faucet Lock for 630SS	\$ 119	\$ 128
630SS	Forward Sealing Faucet, SS	\$ 114	\$ 122
67141-1	Perlick Faucet Handle	\$ 110	\$ 118
67782	Drip Pan for Beer Dispensers	\$ 207	\$ 222
RS-CDK	Iced Coffee Dispensing Kit	\$ 675	\$ 723
RS-25KG	2.5 Gallon Coffe Keg	\$ 406	\$ 435
RS-NCY	Nitrogen Cylinder	\$ 204	\$ 219
RS-NDK	Nitrogen Dispensing Kit for Beverage Dispenser Models	\$ 2,608	\$ 2,791

Accessories for all 24" Units

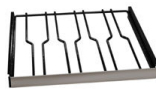
MODEL	DESCRIPTION	UMRP	UMRP
67440L	Left Hinge Locking Kit for LH Panel Ready Models	\$ 147	\$ 158
67440R	Right Hinge Locking Kit for RH and Drawer Panel Ready Models	\$ 147	\$ 158
RS-SK-24L	Stacking Kit for HP24, HC24 & HA24 Models, LH	\$ 359	\$ 385
RS-SK-24R	Stacking Kit for HP24, HC24 & HA24 Models, RH	\$ 359	\$ 385
66736	Caster Kit for HP24, HC24 & HA24 Models	\$ 448	\$ 480
67439L	Left Hinge Kit	\$ 181	\$ 194
67439R	Right Hinge Kit	\$ 181	\$ 194
RS-24-24R	Refrigerator/Freezer Shelf for HP24, HC24 & HA24 Models	\$ 181	\$ 194
RS-24-24W	Wine Shelf for HP24, HC24 & HA24 Models	\$ 181	\$ 194
RS-24-24WD	Dual Zone Wine Shelf for HP24D Models	\$ 181	\$ 194
RS-24-24D	Divider Shelf for HP24, HC24 & HA24 Models	\$ 242	\$ 259
RS-24-24M	Martini Rack for HP24, HC24 & HA24 Models	\$ 363	\$ 389
67115-24	Wine Shelf Wood Faces for HP24, HH24, HC24 & HA24 Models (7 Pack)	\$ 151	\$ 162
65629	Wine Bottle Display Rack	\$ 121	\$ 130
67964	Stainless Steel Drawer Dividers for HP24 & HC24 Drawer Models (Set of 3)	\$ 121	\$ 130
RK24DP	Drawer Pan Organizer for HP24, HC24 & HA24 Drawer Models	\$ 302	\$ 324



RS-24-24R



RS-24-24M



RS-24-24W



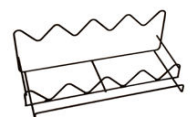
RS-24-24D



RS-24-24WD



67115-24



65629

**Used by brands such as Heineken, Newcastle, Stella Artois, Amstel, Bemish, Murphy's, Strongbow and Hofbrau.

See Full List of Accessories on Page 77

Outdoor Products - 24" Signature Series Sottile 18" Shallow Depth

Perlick's industry exclusive 18" depth Signature Series Sottile refrigeration provides storage for shallow-depth outdoor spaces that can't accommodate a traditional 24" depth. Its 32" height makes this product ADA compliant for accessible designs. It's unique slim profile makes this model a designer favorite because of its incredible versatility. UL-rated for outdoor use.

FEATURES

- Industry exclusive 18" depth and 32" ADA height
- Powered by a Best in Class, whisper-quiet, commercial grade, 1,000 Btu variable speed compressor
- State-of-the-art digital control module
- Commercial grade stainless steel interiors and exteriors
- Adjustable Crisp White and Cool Blue LED lighting
- Adjustable, full-extension pull-out shelves make stocking and retrieving bottles easy
- Dimensions: 24"W x 18"D x 32"H
- 6 year parts and labor warranty
- Door alarm included to alert when the unit is left open





24" SIGNATURE SERIES SOTTILE 18" SHALLOW DEPTH-OUTDOOR



SOTTILE OUTDOOR REFRIGERATOR FEATURES

- UL-rated for outdoor use
- Storage for 68 cans (12oz.) in 3.1 cu. ft.
- ADA compliant 32" height for accessible design
- Features Perlick's exclusive RAPIDcool forced-air refrigeration system, providing industry leading cooling performance
- Stainless steel interior and exterior
- Temperature range: 33° - 42°F (.5° - 5.5°C)



SOTTILE OUTDOOR BEVERAGE CENTER FEATURES

- UL-rated for outdoor use
- Storage for 10 wine bottles (750ml.) and 41 cans (12oz.) in 3.1 cu. ft.
- ADA compliant 32" height for accessible design
- Features Perlick's exclusive RAPIDcool forced-air refrigeration system, providing industry leading cooling performance
- Stainless steel interior and exterior
- Temperature range: 33° - 48°F (.5° - 8.8°C)



SOTTILE OUTDOOR WINE RESERVE FEATURES

- UL-rated for outdoor use
- Storage for 20 wine bottles (750ml.)
- ADA compliant 32" height for accessible design
- Features Perlick's exclusive RAPIDcool forced-air refrigeration system, providing industry leading cooling performance
- Stainless steel interior and exterior
- Temperature range: 45° - 65°F (7.2° - 18.3°C)

STOCK ITEMS ARE LISTED IN RED

24" SIGNATURE SERIES 18" SHALLOW DEPTH - OUTDOOR

Refrigerators

MODEL	DESCRIPTION	UMRP	MSRP
HH24RO-4-1_	18" Depth Outdoor Refrigerator, SS Solid Door (Specify hinge)	\$ 4,095	\$ 4,382
HH24RO-4-2_	18" Depth Outdoor Refrigerator, Panel Ready Solid Door (Specify hinge)	\$ 3,927	\$ 4,202
HH24RO-4-3_	18" Depth Outdoor Refrigerator, SS Glass Door (Specify hinge)	\$ 4,276	\$ 4,576
HH24RO-4-4_	18" Depth Outdoor Refrigerator, Panel Ready Glass Door (Specify hinge)	\$ 4,121	\$ 4,410

Beverage Centers

MODEL	DESCRIPTION	UMRP	MSRP
HH24BO-4-1_	18" Depth Outdoor Beverage Center, SS Solid Door (Specify hinge)	\$ 4,160	\$ 4,452
HH24BO-4-2_	18" Depth Outdoor Beverage Center, Panel Ready Solid Door (Specify hinge)	\$ 3,992	\$ 4,272
HH24BO-4-3_	18" Depth Outdoor Beverage Center, SS Glass Door (Specify hinge)	\$ 4,368	\$ 4,674
HH24BO-4-4_	18" Depth Outdoor Beverage Center, Panel Ready Glass Door (Specify hinge)	\$ 4,199	\$ 4,493

Wine Reserves

MODEL	DESCRIPTION	UMRP	MSRP
HH24WO-4-1_	18" Depth Outdoor Wine Reserve, SS Solid Door (Specify hinge)	\$ 4,302	\$ 4,604
HH24WO-4-2_	18" Depth Outdoor Wine Reserve, Panel Ready Solid Door (Specify hinge)	\$ 4,134	\$ 4,424
HH24WO-4-3_	18" Depth Outdoor Wine Reserve, SS Glass Door (Specify hinge)	\$ 4,497	\$ 4,812
HH24WO-4-4_	18" Depth Outdoor Wine Reserve, Panel Ready Glass Door (Specify hinge)	\$ 4,329	\$ 4,633

*** Must specify Right or Left hinge on ALL door units with R or L at end of model number. (Ex HC24RB-4-1R or HC24RB-4-1L)**

** For locking units, apply an additional \$32 charge to retail price and add an L after the hinge selection, if applicable. (Ex HC24RB-4-1RL or HC24RB-4-1LL)

*** For PANEL READY door locking units, you must add item number 67440L or 67440R. For PANEL READY drawer locking units, you must add item number 67440R.

Available Door Styles



1 - SS Solid Door



2 - F.I. Solid Door



3 - SS Glass Door



4 - F.I. Glass Door

* Equipped with Energy Star Technology

See Full List of Accessories on Page 77



Introducing Marine and Coastal Grade Undercounter Refrigeration with Perlick Armor™



NEW





FEATURES AND BENEFITS

INNOVATIVE FEATURES

We're excited to share that in early 2022 Perlick officially launched their brand-new Marine and Coastal Grade Undercounter Refrigeration with Perlick Armor™, an upgraded version of their best-in-class undercounter refrigeration line designed to tackle the elements. Whether you own a home in coastal conditions or a saltwater pool, the harsh effects of high-salt environments can wreak havoc and weather outdoor appliances prematurely. **Perlick's new Marine and Coastal Grade Undercounter Refrigeration featuring Perlick Armor™ is built to endure the harshest of environments while maintaining consistent functionality and a showroom quality finish.**

FEATURES

- Combines a mix of 316 and 304 stainless steel for food safety and easy cleaning, rather than plastics, which can be found in some marine grade products
- Units come equipped with upgraded 18-8 stainless steel and zinc plated fasteners to ensure rust won't form in attachment zones
- A protective coating is applied to the refrigeration system for increased durability
- The Perlick Armor™ upgrade package is available on all HP & HH series residential models



Marine Grade - 15" Signature Series

Perlick's 15" Signature Series Marine Grade undercounter refrigeration is perfect for small outdoor spaces for storing a variety of foods and beverages. Every unit is UL-rated for outdoor use and are engineered for optimal performance even harshest of environments.

15" FEATURES

- Perlick Armor™ featuring Commercial-grade 316 and 304 stainless steel interiors and exteriors and upgraded 18-8 stainless steel and zinc plated fasteners
- Powered by a Best in Class, whisper-quiet, commercial grade, 1,000 Btu variable speed compressor
- Refrigerator rated for both food and beverage storage
- Beverage Center has two full-extension wine racks and one full-extension shelf
- Wine Reserve can hold up to 20 bottles of wine
- Beverage Dispenser will hold one 1/6 keg
- Clear Ice Maker produces up to 55 pounds of ice per day and stores up to 22 pounds of ice
- Available Models: Refrigerator, Beverage Center, Wine Reserve, Beverage Dispenser



15" OUTDOOR MARINE GRADE SIGNATURE SERIES



OUTDOOR REFRIGERATOR FEATURES

- Perlick Armor™ Upgrade
- UL-rated for outdoor use
- Storage for 66 cans
- Rated for food and beverage storage
- Features Perlick's exclusive RAPIDcool forced-air refrigeration system, providing industry leading cooling performance
- Stainless steel interior and exterior
- Temperature range: 33° - 42°F (.5° - 5.5°C)



OUTDOOR BEVERAGE CENTER FEATURES

- Perlick Armor™ Upgrade
- UL-rated for outdoor use
- Storage for 8 wine bottles and 30 cans
- Rated for food and beverage storage
- Features Perlick's exclusive RAPIDcool forced-air refrigeration system, providing industry leading cooling performance
- Stainless steel interior and exterior
- Temperature range: 33° - 48°F (.5° - 8.8°C)



OUTDOOR WINE RESERVE FEATURES

- Perlick Armor™ Upgrade
- UL-rated for outdoor use
- Storage for 20 wine bottles
- Features Perlick's exclusive RAPIDcool forced-air refrigeration system, providing industry leading cooling performance
- Stainless steel interior and exterior
- Dual-pane, Low-E glass with UV-resistant coating protects wine from harmful sun light
- Temperature range: 45° - 65°F (7.2° - 8.8°C)



OUTDOOR BEVERAGE DISPENSER FEATURES

- Perlick Armor™ Upgrade
- Dispense beer, wine or coffee
- UL-approved for indoor and outdoor use
- Accommodates one 1/6 Barrel
- Self-contained beverage system with portable drainer - no plumbing required
- Features Perlick's exclusive RAPIDcool forced-air refrigeration system, providing industry leading cooling performance
- Stainless steel interior and exterior
- Temperature range: 33° - 42°F (.5° - 5.5°C)
- "D" System Lo-Boy keg coupler included; "S" System Lo-Boy keg coupler also available for those who favor certain European beers

15" SIGNATURE SERIES - MARINE GRADE

Refrigerators

MODEL	DESCRIPTION	UMRP	MSRP
HP15RM-4-1_	Marine Grade Refrigerator, SS Solid Door (Specify hinge)	\$ 5,759	\$ 6,163
HP15RM-4-2_	Marine Grade Refrigerator, Panel Ready Solid Door (Specify hinge)	\$ 5,592	\$ 5,984
HP15RM-4-3_	Marine Grade Refrigerator, SS Glass Door (Specify hinge)	\$ 5,950	\$ 6,367
HP15RM-4-4_	Marine Grade Refrigerator, Panel Ready Glass Door (Specify hinge)	\$ 5,783	\$ 6,188
HP15RM-4-5	Marine Grade Refrigerator, SS Drawers	\$ 6,515	\$ 6,972
HP15RM-4-6	Marine Grade Refrigerator, Panel Ready Drawers	\$ 6,348	\$ 6,793

Beverage Centers

MODEL	DESCRIPTION	UMRP	MSRP
HP15BM-4-1_	Marine Grade Beverage Center, SS Solid Door (Specify hinge)	\$ 5,822	\$ 6,230
HP15BM-4-2_	Marine Grade Beverage Center, Panel Ready Solid Door (Specify hinge)	\$ 5,655	\$ 6,051
HP15BM-4-3_	Marine Grade Beverage Center, SS Glass Door (Specify hinge)	\$ 6,028	\$ 6,450
HP15BM-4-4_	Marine Grade Beverage Center, Panel Ready Glass Door (Specify hinge)	\$ 5,861	\$ 6,272

Wine Reserves

MODEL	DESCRIPTION	UMRP	MSRP
HP15WM-4-1_	Marine Grade Wine Reserve, SS Solid Door (Specify hinge)	\$ 6,092	\$ 6,519
HP15WM-4-2_	Marine Grade Wine Reserve, Panel Ready Solid Door (Specify hinge)	\$ 5,926	\$ 6,341
HP15WM-4-3_	Marine Grade Wine Reserve, SS Glass Door (Specify hinge)	\$ 6,297	\$ 6,738
HP15WM-4-4_	Marine Grade Wine Reserve, Panel Ready Glass Door (Specify hinge)	\$ 6,131	\$ 6,561

Beverage Dispensers

MODEL	DESCRIPTION	UMRP	MSRP
HP15TM-4-1_-1	Marine Grade Beverage Dispenser, SS Solid Door (Specify hinge), Single Tap	\$ 6,861	\$ 7,342
HP15TM-4-2_-1	Marine Grade Beverage Dispenser, Panel Ready Solid Door (Specify hinge), Single Tap	\$ 6,695	\$ 7,164

* Must specify Right or Left hinge on ALL door units with R or L at end of model number. (Ex HC24RB-4-1R or HC24RB-4-1L)

** For locking units, apply an additional \$32 charge to retail price and add an L after the hinge selection, if applicable. (Ex HC24RB-4-1RL or HC24RB-4-1LL)

*** For PANEL READY door locking units, you must add item number 67440L or 67440R.

For PANEL READY drawer locking units, you must add item number 67440R. (See Accessories on Page 60)

Available Door Styles



1 - SS Solid Door 2 - F.I. Solid Door 3 - SS Glass Door 4 - F.I. Glass Door 5 - SS Drawer 6 - F.I. Drawer

* Equipped with Energy Star Technology

See Full List of Accessories on Page 77



STOCK ITEMS ARE LISTED IN RED

15" SIGNATURE SERIES - MARINE GRADE

Accessories - 15" Beverage Dispensers

MODEL	DESCRIPTION	UMRP	MSRP
66585-2	Dual Faucet Tapping Kit (if sold separately)	\$ 1,905	\$ 2,039
63797	Beverage Dispenser Cleaning Kit (Includes Pump, Sanitizer & Tools to Clean Lines)	\$ 229	\$ 246
BLC4	Beverage Dispenser Sanitizer Bottle, 4 oz.	\$ 9.60	\$ 11
BLC32	Beverage Dispenser Sanitizer Bottle, 33 oz.	\$ 31.80	\$ 35
40030SSLS	Lo-Boy "S" Series Keg Coupler	\$ 220	\$ 236
308-40C	Faucet Lock for 630SS	\$ 119	\$ 128
630SS	Forward Sealing Faucet, SS	\$ 114	\$ 122
67141-1	Perlick Faucet Handle	\$ 110	\$ 118
67782	Drip Pan for Beer Dispensers	\$ 207	\$ 222
RS-CDK	Iced Coffee Dispensing Kit	\$ 675	\$ 723
RS-25KG	2.5 Gallon Coffe Keg	\$ 406	\$ 435
RS-NCY	Nitrogen Cylinder	\$ 204	\$ 219
RS-NDK	Nitrogen Dispensing Kit for Beverage Dispenser Models	\$ 2,608	\$ 2,791

Accessories for all 15" Units

MODEL	DESCRIPTION	UMRP	MSRP
67440L	Left Hinge Locking Kit for LH Panel Ready Models	\$ 147	\$ 158
67440R	Right Hinge Locking Kit for RH and Drawer Panel Ready Models	\$ 147	\$ 158
RS-SK-15L	Stacking Kit for HP15 Models, LH	\$ 359	\$ 385
RS-SK-15R	Stacking Kit for HP15 Models, RH	\$ 359	\$ 385
66736-15	Caster Kit for HP15 Models	\$ 255	\$ 273
67439L	Left Hinge Kit	\$ 181	\$ 194
67439R	Right Hinge Kit	\$ 181	\$ 194
RS-15-15R	Refrigerator Shelf for HP15 Models	\$ 151	\$ 162
RS-15-15W	Wine Shelf for HP15 Models	\$ 151	\$ 162
67115-15	Wine Shelf Wood Faces for HP15 Models (5 Pack)	\$ 151	\$ 162

Marine Grade - 24" Signature Series

Designed for best-in-class performance on hot summer days, Perlick's 24" Signature Series outdoor undercounter refrigeration offers a wide selection of storage for food and beverages in your outdoor kitchen or entertaining space. Powered by a robust 1,000 Btu variable-speed compressor, Perlick's RAPIDcool forced-air refrigeration system outperforms comparable competitor units. Beverages are completely chilled twice as fast - and consistent - as the leading competitor model. UL-rated for outdoor use.

24" FEATURES

- Perlick Armor™ featuring Commercial-grade 316 and 304 stainless steel interiors and exteriors and upgraded 18-8 stainless steel and zinc plated fasteners
- Powered by a Best in Class, whisper-quiet, commercial grade, 1,000 Btu variable speed compressor
- Refrigerator rated for both food and beverage storage
- Beverage Center has two full-extension wine racks and one full-extension shelf
- Perlick's exclusive variable speed compressor - provides precise temperature control and energy-efficient cooling
- Industry exclusive freezer equipped with automatic hot gas defrost for maintenance-free defrosting
- Optional Martini Glass Chiller Rack (freezer only)
- Wine Reserve can hold up to 40 bottles of wine
- Beverage Dispenser comes with a complete, self-contained beer system and portable drainer, no plumbing required
- Available Models: Refrigerator, Freezer, Beverage Center, Wine Reserve, Beverage Dispenser
- 6 year parts and labor warranty
- Door alarm included to alert when the unit is left open



HP24BO-4-3L, 24" Signature Series Outdoor Beverage Center

24" SIGNATURE SERIES - MARINE GRADE



OUTDOOR REFRIGERATOR FEATURES

- Perlick Armor™ Upgrade
- UL-rated for outdoor use
- Storage for 144 cans
- 5.2 cu. ft. storage capacity
- Features Perlick's exclusive RAPIDcool forced-air refrigeration system, providing industry leading cooling performance
- Stainless steel interior and exterior
- Temperature range: 33° - 42°F (.5° - 5.5°C)



OUTDOOR FREEZER FEATURES

- Perlick Armor™ Upgrade
- UL-rated for outdoor use
- 5.2 cu. ft. of storage capacity
- Features Perlick's exclusive RAPIDcool forced-air refrigeration system, providing industry leading cooling performance
- Freezer equipped with automatic hot gas defrost for maintenance-free defrosting
- Stainless steel interior and exterior
- Temperature range: -10° - 10°F (-23.3° - -12.2°C)



OUTDOOR DUAL-ZONE FREEZER/REFRIGERATOR FEATURES

- Perlick Armor™ Upgrade
- UL rated for outdoor use
- Two independently-controlled temperature zones provide flexible storage for food and beverages
- Features Perlick's exclusive RAPIDcool forced-air refrigeration system, providing industry leading cooling performance
- Stainless steel interior and exterior
- Temperature range for top drawer (Refrigerator): 30° - 42°F (-1.1° - 5.5°C)
- Temperature range for bottom drawer (Freezer): -10° - 10°F (-23.3° - -17.7°C)
- Freezer equipped with automatic hot gas defrost for maintenance-free defrosting



OUTDOOR BEVERAGE CENTER FEATURES

- Perlick Armor™ Upgrade
- UL-rated for outdoor use
- Storage for 16 wine bottles and 62 cans
- Rated for food and beverage storage
- Features Perlick's exclusive RAPIDcool forced-air refrigeration system, providing industry leading cooling performance
- Stainless steel interior and exterior
- Temperature range: 33° - 48°F (.5° - 8.8°C)

24" SIGNATURE SERIES - MARINE GRADE



OUTDOOR DUAL-ZONE REFRIGERATOR/WINE RESERVE FEATURES

- Perlick Armor™ Upgrade
- UL-rated for outdoor use
- Two independently-controlled temperature zones provide flexible storage for food, beverage and wine storage
- Storage capacity for 14 wine bottles and 41 cans
- Features Perlick's exclusive RAPIDcool forced-air refrigeration system, providing industry leading cooling performance
- Stainless steel interior and exterior
- Temperature range for top zone (Wine): 45° - 65°F (7.2° - 18.3°C)
- Temperature range for bottom zone (Refrigerator): 33° - 42°F (.5° - 5.5°C)



OUTDOOR WINE RESERVE FEATURES

- Perlick Armor™ Upgrade
- UL-rated for outdoor use
- Storage for 40 wine bottles on five shelves
- 5.2 cu. ft. storage capacity
- Features Perlick's exclusive RAPIDcool forced-air refrigeration system, providing industry leading cooling performance
- Stainless steel interior and exterior
- Temperature range: 45° - 65°F (7.2° - 18.3°C)



OUTDOOR DUAL-ZONE WINE/WINE FEATURES

- Perlick Armor™ Upgrade
- UL-rated for outdoor use
- Two independently-controlled temperature zones provide precision temperature control for red and white wines
- Storage for 14 wine bottles of red wine and 18 bottle of white wine
- Features Perlick's exclusive RAPIDcool forced-air refrigeration system, providing industry leading cooling performance
- Stainless steel interior and exterior
- Temperature range for top zone (Red Wine): 51° - 65°F (10.5° - 18.3°C)
- Temperature range for bottom zone (White Wine): 45° - 65°F (7.2° - 18.3°C)



OUTDOOR BEVERAGE DISPENSER FEATURES

- Perlick Armor™ Upgrade
- Dispense beer, wine or coffee
- UL-rated for outdoor use
- Two 1/6 Barrels or One 1/4 Barrel (slim or standard)
- Self-contained beverage system with portable drainer - no plumbing required
- Features Perlick's exclusive RAPIDcool forced-air refrigeration system, providing industry leading cooling performance
- Stainless steel interior and exterior
- Temperature range: 33° - 42°F (.5° - 5.5°C)
- "D" System Lo-Boy keg coupler(s) included; "S" System Lo-Boy keg coupler also available for those who favor certain European beers



STOCK ITEMS ARE LISTED IN RED

24" SIGNATURE SERIES - MARINE GRADE

Refrigerators

MODEL	DESCRIPTION	UMRP	MSRP
HP24RM-4-1_	Marine Grade Refrigerator, SS Solid Door (Specify hinge)	\$ 6,067	\$ 6,492
HP24RM-4-2_	Marine Grade Refrigerator, Panel Ready Solid Door (Specify hinge)	\$ 5,899	\$ 6,312
HP24RM-4-3_	Marine Grade Refrigerator, SS Glass Door (Specify hinge)	\$ 6,272	\$ 6,712
HP24RM-4-4_	Marine Grade Refrigerator, Panel Ready Glass Door (Specify hinge)	\$ 6,105	\$ 6,533
HP24RM-4-5	Marine Grade Refrigerator, SS Drawers	\$ 6,824	\$ 7,302
HP24RM-4-6	Marine Grade Refrigerator, Panel Ready Drawers	\$ 6,657	\$ 7,123

Freezers

MODEL	DESCRIPTION	UMRP	MSRP
HP24FM-4-1_	Marine Grade Freezer, SS Solid Door (Specify hinge)	\$ 6,476	\$ 6,930
HP24FM-4-2_	Marine Grade Freezer, Panel Ready Solid Door (Specify hinge)	\$ 6,311	\$ 6,753
HP24FM-4-5	Marine Grade Freezer, SS Drawers	\$ 7,246	\$ 7,754
HP24FM-4-6	Marine Grade Freezer, Panel Ready Drawers	\$ 7,080	\$ 7,576

Dual Zone Freezer/Refrigerator

MODEL	DESCRIPTION	UMRP	MSRP
HP24ZM-4-5	Marine Grade Dual Zone Freezer/Refrigerator, SS Drawers	\$ 8,078	\$ 8,644
HP24ZM-4-6	Marine Grade Dual Zone Freezer/Refrigerator, Panel Ready Drawers	\$ 7,924	\$ 8,479

Beverage Centers

MODEL	DESCRIPTION	UMRP	MSRP
HP24BM-4-1_	Marine Grade Beverage Center, SS Solid Door (Specify hinge)	\$ 6,144	\$ 6,575
HP24BM-4-2_	Marine Grade Beverage Center, Panel Ready Solid Door (Specify hinge)	\$ 5,963	\$ 6,381
HP24BM-4-3_	Marine Grade Beverage Center, SS Glass Door (Specify hinge)	\$ 6,335	\$ 6,779
HP24BM-4-4_	Marine Grade Beverage Center, Panel Ready Glass Door (Specify hinge)	\$ 6,168	\$ 6,600

Beverage Dispensers

MODEL	DESCRIPTION	UMRP	MSRP
HP24TM-4-1_-1	Marine Grade Beverage Dispenser, SS Solid Door (Specify hinge), Single Tap	\$ 7,183	\$ 7,686
HP24TM-4-2_-1	Marine Grade Beverage Dispenser, Panel Ready Solid Door (Specify hinge), Single Tap	\$ 7,016	\$ 7,508
HP24TM-4-1_-2	Marine Grade Beverage Dispenser, SS Solid Door (Specify hinge), Two Tap	\$ 7,671	\$ 8,208
HP24TM-4-2_-2	Marine Grade Beverage Dispenser, Panel Ready Solid Door (Specify hinge), Two Tap	\$ 7,503	\$ 8,029

* Must specify Right or Left hinge on ALL door units with R or L at end of model number. (Ex HC24RB-4-1R or HC24RB-4-1L)

** For locking units, apply an additional \$32 charge to retail price and add an L after the hinge selection, if applicable. (Ex HC24RB-4-1RL or HC24RB-4-1LL)

*** For PANEL READY door locking units, you must add item number 67440L or 67440R.

For PANEL READY drawer locking units, you must add item number 67440R. (See Accessories on Page 66)

* Equipped with Energy Star Technology

See Full List of Accessories on Page 77

STOCK ITEMS ARE LISTED IN RED

24" SIGNATURE SERIES - MARINE GRADE

Dual Zone Refrigerator/Wine Reserve

MODEL	DESCRIPTION	UMRP	MSRP
HP24CM-4-1_	Marine Grade Dual Zone Refrigerator/Wine Reserve, SS Solid Door (Specify hinge)	\$ 7,107	\$ 7,605
HP24CM-4-2_	Marine Grade Dual Zone Refrigerator/Wine Reserve, Panel Ready Solid Door (Specify hinge)	\$ 6,938	\$ 7,424
HP24CM-4-3_	Marine Grade Dual Zone Refrigerator/Wine Reserve, SS Glass Door (Specify hinge)	\$ 7,310	\$ 7,822
HP24CM-4-4_	Marine Grade Dual Zone Refrigerator/Wine Reserve, Panel Ready Glass Door (Specify hinge)	\$ 7,147	\$ 7,648

Single Zone Wine Reserves

MODEL	DESCRIPTION	UMRP	MSRP
HP24WM-4-1_	Marine Grade Single Zone Wine Reserve, SS Solid Door (Specify hinge)	\$ 6,541	\$ 6,999
HP24WM-4-2_	Marine Grade Single Zone Wine Reserve, Panel Ready Solid Door (Specify hinge)	\$ 6,374	\$ 6,821
HP24WM-4-3_	Marine Grade Single Zone Wine Reserve, SS Glass Door (Specify hinge)	\$ 6,733	\$ 7,205
HP24WM-4-4_	Marine Grade Single Zone Wine Reserve, Panel Ready Glass Door (Specify hinge)	\$ 6,579	\$ 7,040

Dual Zone Wine Reserves

MODEL	DESCRIPTION	UMRP	MSRP
HP24DM-4-1_	Marine Grade Dual Zone Wine Reserve, SS Solid Door (Specify hinge)	\$ 6,875	\$ 7,357
HP24DM-4-2_	Marine Grade Dual Zone Wine Reserve, Panel Ready Solid Door (Specify hinge)	\$ 6,705	\$ 7,175
HP24DM-4-3_	Marine Grade Dual Zone Wine Reserve, SS Glass Door (Specify hinge)	\$ 7,071	\$ 7,566
HP24DM-4-4_	Marine Grade Dual Zone Wine Reserve, Panel Ready Glass Door (Specify hinge)	\$ 6,914	\$ 7,398

* **Must specify Right or Left hinge on ALL door units with R or L at end of model number. (Ex HC24RB-4-1R or HC24RB-4-1L)**

** For locking units, apply an additional \$32 charge to retail price and add an L after the hinge selection, if applicable. (Ex HC24RB-4-1RL or HC24RB-4-1LL)

*** For PANEL READY door locking units, you must add item number 67440L or 67440R.

For PANEL READY drawer locking units, you must add item number 67440R. (See Accessories on Page 66)

Available Door Styles



1 - SS Solid Door



2 - F.I. Solid Door



3 - SS Glass Door



4 - F.I. Glass Door



5 - SS Drawer



6 - F.I. Drawer

* Equipped with Energy Star Technology

See Full List of Accessories on Page 77



STOCK ITEMS ARE LISTED IN RED

24" SIGNATURE SERIES - MARINE GRADE

Accessories - 24" Beverage Dispensers

MODEL	DESCRIPTION	UMRP	UMRP
66585-2	Dual Faucet Tapping Kit (if sold separately)	\$ 1,905	\$ 2,039
63797	Beverage Dispenser Cleaning Kit (Includes Pump, Sanitizer & Tools to Clean Lines)	\$ 229	\$ 246
BLC4	Beverage Dispenser Sanitizer Bottle, 4 oz.	\$ 9.60	\$ 11
BLC32	Beverage Dispenser Sanitizer Bottle, 33 oz.	\$ 31.80	\$ 35
40030SSLS	Lo-Boy "S" Series Keg Coupler	\$ 220	\$ 236
308-40C	Faucet Lock for 630SS	\$ 119	\$ 128
630SS	Forward Sealing Faucet, SS	\$ 114	\$ 122
67141-1	Perlick Faucet Handle	\$ 110	\$ 118
67782	Drip Pan for Beer Dispensers	\$ 207	\$ 222
RS-CDK	Iced Coffee Dispensing Kit	\$ 675	\$ 723
RS-25KG	2.5 Gallon Coffe Keg	\$ 406	\$ 435
RS-NCY	Nitrogen Cylinder	\$ 204	\$ 219
RS-NDK	Nitrogen Dispensing Kit for Beverage Dispenser Models	\$ 2,608	\$ 2,791

Accessories for all 24" Units

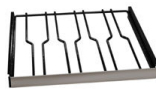
MODEL	DESCRIPTION	UMRP	UMRP
67440L	Left Hinge Locking Kit for LH Panel Ready Models	\$ 147	\$ 158
67440R	Right Hinge Locking Kit for RH and Drawer Panel Ready Models	\$ 147	\$ 158
RS-SK-24L	Stacking Kit for HP24, HC24 & HA24 Models, LH	\$ 359	\$ 385
RS-SK-24R	Stacking Kit for HP24, HC24 & HA24 Models, RH	\$ 359	\$ 385
66736	Caster Kit for HP24, HC24 & HA24 Models	\$ 448	\$ 480
67439L	Left Hinge Kit	\$ 181	\$ 194
67439R	Right Hinge Kit	\$ 181	\$ 194
RS-24-24R	Refrigerator/Freezer Shelf for HP24, HC24 & HA24 Models	\$ 181	\$ 194
RS-24-24W	Wine Shelf for HP24, HC24 & HA24 Models	\$ 181	\$ 194
RS-24-24WD	Dual Zone Wine Shelf for HP24D Models	\$ 181	\$ 194
RS-24-24D	Divider Shelf for HP24, HC24 & HA24 Models	\$ 242	\$ 259
RS-24-24M	Martini Rack for HP24, HC24 & HA24 Models	\$ 363	\$ 389
67115-24	Wine Shelf Wood Faces for HP24, HH24, HC24 & HA24 Models (7 Pack)	\$ 151	\$ 162
65629	Wine Bottle Display Rack	\$ 121	\$ 130
67964	Stainless Steel Drawer Dividers for HP24 & HC24 Drawer Models (Set of 3)	\$ 121	\$ 130
RK24DP	Drawer Pan Organizer for HP24, HC24 & HA24 Drawer Models	\$ 302	\$ 324



RS-24-24R



RS-24-24M



RS-24-24W



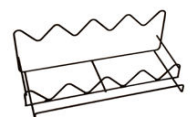
RS-24-24D



RS-24-24WD



67115-24



65629

**Used by brands such as Heineken, Newcastle, Stella Artois, Amstel, Bemish, Murphy's, Strongbow and Hofbrau.

See Full List of Accessories on Page 77

Marine Grade - 24" Signature Series Sottile 18" Shallow Depth

Perlick's industry exclusive 18" depth Signature Series Sottile refrigeration provides storage for shallow-depth outdoor spaces that can't accommodate a traditional 24" depth. Its 32" height makes this product ADA compliant for accessible designs. It's unique slim profile makes this model a designer favorite because of its incredible versatility. UL-rated for outdoor use with upgraded Perlick Armor™ Marine Grade package.

FEATURES

- Perlick Armor™ featuring Commercial-grade 316 and 304 stainless steel interiors and exteriors and upgraded 18-8 stainless steel and zinc plated fasteners
- Industry exclusive 18" depth and 32" ADA height
- Powered by a Best in Class, whisper-quiet, commercial grade, 1,000 Btu variable speed compressor
- State-of-the-art digital control module
- Commercial grade stainless steel interiors and exteriors
- Adjustable Crisp White and Cool Blue LED lighting
- Adjustable, full-extension pull-out shelves make stocking and retrieving bottles easy
- Dimensions: 24"W x 18"D x 32"H
- 6 year parts and labor warranty
- Door alarm included to alert when the unit is left open





24" SIGNATURE SERIES 18" SHALLOW DEPTH - MARINE GRADE



SOTTILE OUTDOOR REFRIGERATOR FEATURES

- Perlick Armor™ Upgrade
- UL-rated for outdoor use
- Storage for 68 cans (12oz.) in 3.1 cu. ft.
- ADA compliant 32" height for accesible design
- Features Perlick's exclusive RAPIDcool forced-air refrigeration system, providing industry leading cooling performance
- Stainless steel interior and exterior
- Temperature range: 33° - 42°F (.5° - 5.5°C)



SOTTILE OUTDOOR BEVERAGE CENTER FEATURES

- Perlick Armor™ Upgrade
- UL-rated for outdoor use
- Storage for 10 wine bottles (750ml.) and 41 cans (12oz.) in 3.1 cu. ft.
- ADA compliant 32" height for accesible design
- Features Perlick's exclusive RAPIDcool forced-air refrigeration system, providing industry leading cooling performance
- Stainless steel interior and exterior
- Temperature range: 33° - 48°F (.5° - 8.8°C)



SOTTILE OUTDOOR WINE RESERVE FEATURES

- Perlick Armor™ Upgrade
- UL-rated for outdoor use
- Storage for 20 wine bottles (750ml.)
- ADA compliant 32" height for accesible design
- Features Perlick's exclusive RAPIDcool forced-air refrigeration system, providing industry leading cooling performance
- Stainless steel interior and exterior
- Temperature range: 45° - 65°F (7.2° - 18.3°C)

STOCK ITEMS ARE LISTED IN RED

24" SIGNATURE SERIES 18" SHALLOW DEPTH - MARINE GRADE

Refrigerators

MODEL	DESCRIPTION	UMRP	MSRP
HH24RM-4-1_	18" Depth Marine Grade Refrigerator, SS Solid Door (Specify hinge)	\$ 5,357	\$ 5,732
HH24RM-4-2_	18" Depth Marine Grade Refrigerator, Panel Ready Solid Door (Specify hinge)	\$ 5,190	\$ 5,554
HH24RM-4-3_	18" Depth Marine Grade Refrigerator, SS Glass Door (Specify hinge)	\$ 5,553	\$ 5,942
HH24RM-4-4_	18" Depth Marine Grade Refrigerator, Panel Ready Glass Door (Specify hinge)	\$ 5,384	\$ 5,761

Beverage Centers

MODEL	DESCRIPTION	UMRP	MSRP
HH24BM-4-1_	18" Depth Marine Grade Beverage Center, SS Solid Door (Specify hinge)	\$ 5,423	\$ 5,803
HH24BM-4-2_	18" Depth Marine Grade Beverage Center, Panel Ready Solid Door (Specify hinge)	\$ 5,254	\$ 5,622
HH24BM-4-3_	18" Depth Marine Grade Beverage Center, SS Glass Door (Specify hinge)	\$ 5,631	\$ 6,026
HH24BM-4-4_	18" Depth Marine Grade Beverage Center, Panel Ready Glass Door (Specify hinge)	\$ 5,462	\$ 5,845

Wine Reserves

MODEL	DESCRIPTION	UMRP	MSRP
HH24WM-4-1_	18" Depth Marine Grade Wine Reserve, SS Solid Door (Specify hinge)	\$ 5,566	\$ 5,956
HH24WM-4-2_	18" Depth Marine Grade Wine Reserve, Panel Ready Solid Door (Specify hinge)	\$ 5,397	\$ 5,775
HH24WM-4-3_	18" Depth Marine Grade Wine Reserve, SS Glass Door (Specify hinge)	\$ 5,760	\$ 6,164
HH24WM-4-4_	18" Depth Marine Grade Wine Reserve, Panel Ready Glass Door (Specify hinge)	\$ 5,592	\$ 5,984

*** Must specify Right or Left hinge on ALL door units with R or L at end of model number. (Ex HC24RB-4-1R or HC24RB-4-1L)**

** For locking units, apply an additional \$32 charge to retail price and add an L after the hinge selection, if applicable. (Ex HC24RB-4-1RL or HC24RB-4-1LL)

*** For PANEL READY door locking units, you must add item number 67440L or 67440R.

For PANEL READY drawer locking units, you must add item number 67440R. (See Accessories on Page 70)

Available Door Styles



1 - SS Solid Door



2 - F.I. Solid Door



3 - SS Glass Door



4 - F.I. Glass Door

* Equipped with Energy Star Technology

See Full List of Accessories on Page 77



STOCK ITEMS ARE LISTED IN RED

24" SIGNATURE SERIES 18" SHALLOW DEPTH - MARINE GRADE

Accessories for all 18" Shallow Depth Units

MODEL	DESCRIPTION	UMRP	UMRP
67440L	Left Hinge Locking Kit for LH Panel Ready Models	\$ 147	\$ 158
67440R	Right Hinge Locking Kit for RH and Drawer Panel Ready Models	\$ 147	\$ 158
RS-SK-18L	Stacking Kit for HH24, LH	\$ 359	\$ 385
RS-SK-18R	Stacking Kit for HH24, RH	\$ 359	\$ 385
67439L	Left Hinge Kit	\$ 181	\$ 194
67439R	Right Hinge Kit	\$ 181	\$ 194
RS-18-18R	Refrigerator Shelf or HH24 Models	\$ 206	\$ 221
RS-18-18W	Wine Shelf for HH24 Models	\$ 242	\$ 259
67115-24	Wine Shelf Wood Faces for HP24, HH24, HC24 & HA24 Models (7 Pack)	\$ 151	\$ 162
67992-L	Stacking Kit for HH24 Models, LH	\$ 388	\$ 416
RS-TK-HH24-6	6" Toe Kick - SS, for Gen 3 HH24 Models	\$ 242	\$ 259



RS-18-18R



RS-18-18W



67115-24

See Full List of Accessories on Page 77





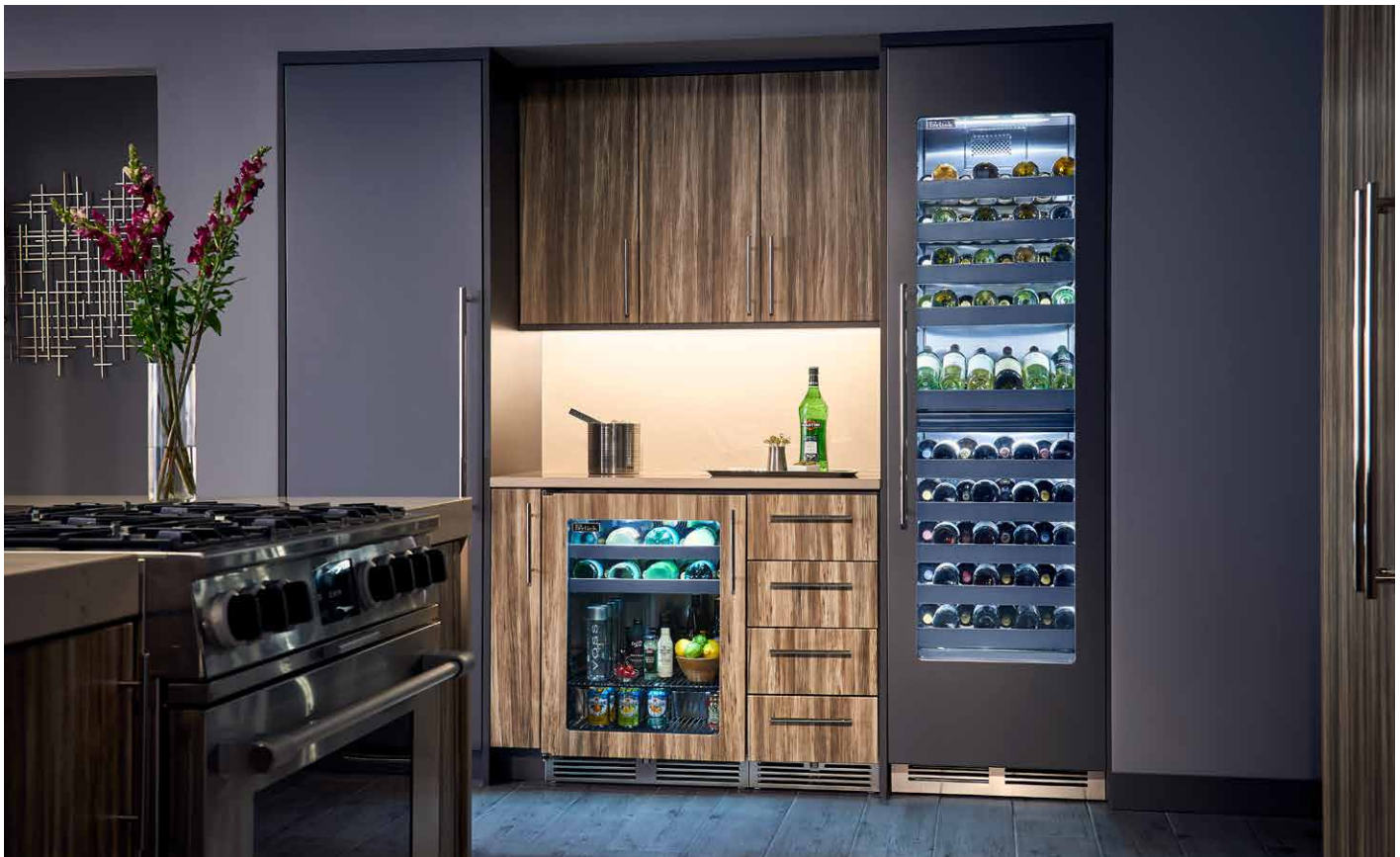


Perlick Column Refrigeration

Meet the industry's latest innovation in integrated column refrigeration. Perlick's all new Column Refrigeration series combines state-of-the-art refrigeration performance with sleek, eye-catching aesthetics.

FEATURES

- Columns feature flush installation for full integration into surrounding cabinetry
- Touch screen control provides streamlined access to a variety of options
- Eye-catching mix of stainless steel interiors and crisp white lighting (wine columns also feature Cool Blue lighting)
- Refrigerator model features state-of-the-art refrigeration system with four separate temperature zones, dual chamber air filtration and authentic humidity control
- Refrigerator features spill-proof shelving, glass shelves that feature nanotechnology to contain spills within an undetectable border
- Wine models feature convertible display shelving and smart humidity control
- Accessories - including dual installation kit, side enclosure panels, etc.
- Dimensions: 24" = 24"W x 24"D x 84"H
30" = 30"W x 24"D x 84"H
- Six-year full parts and labor warranty with Product Registration on complete unit - additional twelve-year limited warranty on the sealed refrigeration system.



HP24BB-4-3L - 24" Signature Series Beverage Center- 24". CR24D-1-4R - Column Dual-Zone Wine Reserve

Perlick Column Refrigeration

Interior temperature control and light

Vibrant white LED lighting

Spill proof shelving

Eye-catching mix of stainless steel interiors

Industry Exclusive QuatroCool™ Four separate zones of precision cooling

Sleek PerliQ™ Touch screen control panel

Refrigerator rated for both food and beverage storage

State-of-the-art refrigeration system

Industry Exclusive removable refrigeration deck for ease of service



Available in 24" and 30" widths

Column Refrigeration Features - Indoor



COLUMN REFRIGERATOR FEATURES

- Available in 24" and 30"
- Interior temperature control and light
- State-of-the-art refrigeration system
- Vibrant white LED lighting
- Eye-catching mix of stainless steel interiors
- Spill-proof shelving
- Refrigerator rated for both food and beverage storage
- Soft Close produce tip-out bin
- Four separate zones of precision cooling
- Touch screen control panel
- 24"-12.6 CuFt of Storage Capacity
- 30"-16.6 CuFt of Storage Capacity
- Sabbath mode



COLUMN FREEZER FEATURES

- Interior temperature control and light
- State-of-the-art refrigeration system
- Vibrant white LED lighting
- Eye-catching mix of stainless steel interiors
- Touch screen control panel
- Full extension pull-out bins
- 12.6 CuFt of Storage Capacity
- Sabbath mode



COLUMN WINE RESERVE - SINGLE ZONE FEATURES

- Interior temperature control and light
- State-of-the-art refrigeration system
- Vibrant white or blue LED lighting
- Eye-catching mix of stainless steel interiors
- Convertible display shelving
- Soft-Coat shelving eliminates vibration transfer to reserve
- Triple pane UV resistant glass
- Automatic smart humidity control
- 12.6 CuFt of storage Capacity
- Provides storage for up to 94 bottles of wine
- Sabbath mode



COLUMN WINE RESERVE - DUAL ZONE FEATURES

- Interior temperature control and light
- State-of-the-art refrigeration system
- Vibrant white and blue lighting
- Eye-catching mix of stainless steel interiors
- Convertible display shelving
- Soft-Coat shelving
- Triple pane UV resistant glass
- Automatic smart humidity control
- Dual-Zone temperature settings to allow storage of both red and white wines.
- 12.6 CuFt of Storage Capacity
- Provides storage for up to 86 bottles of wine
- Sabbath mode



STOCK ITEMS ARE LISTED IN RED

BUILT-IN COLUMN REFRIGERATION

30" Built-In Column Refrigerators

MODEL	DESCRIPTION	UMRP	MSRP
CR30R-1-2L	30" Built-In Column Refrigerator, Panel Ready Solid Door, LH	\$ 10,925	\$ 11,690
CR30R-1-2R	30" Built-In Column Refrigerator, Panel Ready Solid Door, RH	\$ 10,925	\$ 11,690

24" Built-In Column Refrigerators

MODEL	DESCRIPTION	UMRP	MSRP
CR24R-1-2L	24" Built-In Column Refrigerator, Panel Ready Solid Door, LH	\$ 10,350	\$ 11,075
CR24R-1-2R	24" Built-In Column Refrigerator, Panel Ready Solid Door, RH	\$ 10,350	\$ 11,075

24" Built-In Column Freezers

MODEL	DESCRIPTION	UMRP	MSRP
CR24F-1-2L	24" Built-In Column Freezer, Panel Ready Solid Door, LH	\$ 10,350	\$ 11,075
CR24F-1-2R	24" Built-In Column Freezer, Panel Ready Solid Door, RH	\$ 10,350	\$ 11,075

24" Built-In Column Single Zone Wine Reserves

MODEL	DESCRIPTION	UMRP	MSRP
CR24W-1-4L	24" Built-In Column Wine Reserve, Single Zone, Panel Ready Glass Door, LH	\$ 9,775	\$ 10,460
CR24W-1-4R	24" Built-In Column Wine Reserve, Single Zone, Panel Ready Glass Door, RH	\$ 9,775	\$ 10,460

24" Built-In Column Dual Zone Wine Reserves

MODEL	DESCRIPTION	UMRP	MSRP
CR24D-1-4L	24" Built-In Column Wine Reserve, Dual Zone, Panel Ready Glass Door, LH	\$ 10,063	\$ 10,768
CR24D-1-4R	24" Built-In Column Wine Reserve, Dual Zone, Panel Ready Glass Door, RH	\$ 10,063	\$ 10,768

Installation Kits

MODEL	DESCRIPTION	UMRP	MSRP
CR-ACC-D1	Dual Installation Kit (Includes Joining Kit & Thermal Heater)	\$ 445	\$ 477
CR-ACC-D1N	Dual Installation Kit (Handle-to-Handle) - less Thermal Heater	\$ 374	\$ 401
CR-ACC-D2N	Dual Installation Kit (Hinge-to-Handle) - less Thermal Heater	\$ 374	\$ 401
CR-ACC-24SEPR	Factory Installed Stainless Steel Exterior Finishing Panel, Right Side	\$ 335	\$ 359
CR-ACC-24SEPL	Factory Installed Stainless Steel Exterior Finishing Panel, Left Side	\$ 335	\$ 359



STOCK ITEMS ARE LISTED IN RED

BUILT-IN COLUMN REFRIGERATION

30" Stainless Steel Door Panel - Toe Kick

MODEL	DESCRIPTION	UMRP	MSRP
CR-SS-30PDL4	30" SS Solid Door Panel, 4" Toe Kick, Handle, LH	\$ 1,030	\$ 1,103
CR-SS-30PDR4	30" SS Solid Door Panel, 4" Toe Kick, Handle, RH	\$ 1,030	\$ 1,103
CR-SS-30PDL6	30" SS Solid Door Panel, 6" Toe Kick, Handle, LH	\$ 1,030	\$ 1,103
CR-SS-30PDR6	30" SS Solid Door Panel, 6" Toe Kick, Handle, RH	\$ 1,030	\$ 1,103

24" Stainless Steel Door Panel - Toe Kick

MODEL	DESCRIPTION	UMRP	MSRP
CR-SS-24PDL4	24" SS Solid Door Panel, 4" Toe Kick, Handle, LH	\$ 805	\$ 862
CR-SS-24PDR4	24" SS Solid Door Panel, 4" Toe Kick, Handle, RH	\$ 805	\$ 862
CR-SG-24PDL4	24" SS Glass Door Panel, 4" Toe Kick, Handle, LH	\$ 805	\$ 862
CR-SG-24PDR4	24" SS Glass Door Panel, 4" Toe Kick, Handle, RH	\$ 805	\$ 862
CR-SS-24PDL6	24" SS Solid Door Panel, 6" Toe Kick, Handle, LH	\$ 805	\$ 862
CR-SS-24PDR6	24" SS Solid Door Panel, 6" Toe Kick, Handle, RH	\$ 805	\$ 862
CR-SG-24PDL6	24" SS Glass Door Panel, 6" Toe Kick, Handle, LH	\$ 805	\$ 862
CR-SG-24PDR6	24" SS Glass Door Panel, 6" Toe Kick, Handle, RH	\$ 805	\$ 862

Accessories for all Column Refrigeration

MODEL	DESCRIPTION	UMRP	MSRP
CR-PRO-HANDLE	Two Tone Perlick Pro Handle Only	\$ 200	\$ 214
CR-ACC-24SEPL	Factory Installed Stainless Steel Exterior Finishing Panel, Left Side	\$ 335	\$ 359
CR-ACC-24SEPR	Factory Installed Stainless Steel Exterior Finishing Panel, Right Side	\$ 335	\$ 359
CR-ACC-2402	Divider, Tip Out Produce Bin for CR24R models	\$ 68	\$ 73
CR-ACC-2403	Divider, Meat/Fish Drawer for CR24R models	\$ 55	\$ 59
CR-ACC-FILTER-C	Replacement Carbon Filter for CR24R, CR24W, CR24D	\$ 55	\$ 59
CR-ACC-FILTER-E	Replacement Ethylene Filter for CR24R	\$ 55	\$ 59
CR-ACC-TRIM	Left and Right Finish Trim Kit for Built-in Units	\$ 147	\$ 158
CR-ACC-2401	Standard Door Bin (Glass Front) for CR24R models	\$ 270	\$ 289
CR-ACC-2404	Standard Door Bin (Solid Front) for CR24F models	\$ 235	\$ 252
CR-ACC-3001	Standard Door Bin (Glass Front) for CR30R models	\$ 335	\$ 359

STOCK ITEMS ARE LISTED IN RED

PERLICK ACCESSORIES

Accessories for C-Series

MODEL	DESCRIPTION	UMRP	MSRP
67440L	Left Hinge Locking Kit for LH Panel Ready Models	\$ 147	\$ 158
67440R	Right Hinge Locking Kit for RH and Drawer Panel Ready Models	\$ 147	\$ 158
RS-SK-24L	Stacking Kit for HP24, HC24 & HA24 Models, LH	\$ 359	\$ 385
RS-SK-24R	Stacking Kit for HP24, HC24 & HA24 Models, RH	\$ 359	\$ 385
66736	Caster Kit for HP24, HC24 & HA24 Models	\$ 448	\$ 480
67439L	Left Hinge Kit	\$ 181	\$ 194
67439R	Right Hinge Kit	\$ 181	\$ 194
RS-24-24R	Refrigerator/Freezer Shelf for HP24, HC24 & HA24 Models	\$ 181	\$ 194
RS-24-24D	Divider Shelf for HP24, HC24 & HA24 Models	\$ 242	\$ 259
67964	Stainless Steel Drawer Dividers for HP24 & HC24 Drawer Models (Set of 3)	\$ 121	\$ 130
RK24DP	Drawer Pan Organizer for HP24, HC24 & HA24 Drawer Models	\$ 302	\$ 324

Accessories for all 24" ADA Units

MODEL	DESCRIPTION	UMRP	MSRP
67440L	Left Hinge Locking Kit for LH Panel Ready Models	\$ 147	\$ 158
67440R	Right Hinge Locking Kit for RH and Drawer Panel Ready Models	\$ 147	\$ 158
RS-SK-24L	Stacking Kit for HP24, HC24 & HA24 Models, LH	\$ 359	\$ 385
RS-SK-24R	Stacking Kit for HP24, HC24 & HA24 Models, RH	\$ 359	\$ 385
66736	Caster Kit for HP24, HC24 & HA24 Models	\$ 448	\$ 480
67439L	Left Hinge Kit	\$ 181	\$ 194
67439R	Right Hinge Kit	\$ 181	\$ 194
RS-24-24R	Refrigerator/Freezer Shelf for HP24, HC24 & HA24 Models	\$ 181	\$ 194
RS-24-24W	Wine Shelf for HP24, HC24 & HA24 Models	\$ 181	\$ 194
RS-24-24D	Divider Shelf for HP24, HC24 & HA24 Models	\$ 242	\$ 259
RS-24-24M	Martini Rack for HP24, HC24 & HA24 Models	\$ 363	\$ 389
67115-24	Wine Shelf Wood Faces for HP24, HH24, HC24 & HA24 Models (7 Pack)	\$ 151	\$ 162
RK24DP	Drawer Pan Organizer for HP24, HC24 & HA24 Drawer Models	\$ 302	\$ 324
RS-TK-HA24-6	6" Toe Kick - SS, for Gen 3 HA24 Models	\$ 248	\$ 266

Accessories for Ice Makers

MODEL	DESCRIPTION	UMRP	MSRP
63802A	Drain Pump	\$ 507	\$ 543
67282	SS Toe Kick - Ice Makers	\$ 121	\$ 130
EV985700	Everpure EF3000 Filtration System	\$ 549	\$ 549



STOCK ITEMS ARE LISTED IN RED

PERLICK ACCESSORIES

Accessories for all 18" Shallow Depth Units

MODEL	DESCRIPTION	UMRP	UMRP
67440L	Left Hinge Locking Kit for LH Panel Ready Models	\$ 147	\$ 158
67440R	Right Hinge Locking Kit for RH and Drawer Panel Ready Models	\$ 147	\$ 158
RS-SK-18L	Stacking Kit for HH24, LH	\$ 359	\$ 385
RS-SK-18R	Stacking Kit for HH24, RH	\$ 359	\$ 385
67439L	Left Hinge Kit	\$ 181	\$ 194
67439R	Right Hinge Kit	\$ 181	\$ 194
RS-18-18R	Refrigerator Shelf or HH24 Models	\$ 206	\$ 221
RS-18-18W	Wine Shelf for HH24 Models	\$ 242	\$ 259
67115-24	Wine Shelf Wood Faces for HP24, HH24, HC24 & HA24 Models (7 Pack)	\$ 151	\$ 162
67992-L	Stacking Kit for HH24 Models, LH	\$ 388	\$ 416
RS-TK-HH24-6	6" Toe Kick - SS, for Gen 3 HH24 Models	\$ 242	\$ 259

Accessories for all 15" Units

MODEL	DESCRIPTION	UMRP	MSRP
67440L	Left Hinge Locking Kit for LH Panel Ready Models	\$ 147	\$ 158
67440R	Right Hinge Locking Kit for RH and Drawer Panel Ready Models	\$ 147	\$ 158
RS-SK-15L	Stacking Kit for HP15 Models, LH	\$ 359	\$ 385
RS-SK-15R	Stacking Kit for HP15 Models, RH	\$ 359	\$ 385
66736-15	Caster Kit for HP15 Models	\$ 255	\$ 273
67439L	Left Hinge Kit	\$ 181	\$ 194
67439R	Right Hinge Kit	\$ 181	\$ 194
RS-15-15R	Refrigerator Shelf for HP15 Models	\$ 151	\$ 162
RS-15-15W	Wine Shelf for HP15 Models	\$ 151	\$ 162
67115-15	Wine Shelf Wood Faces for HP15 Models (5 Pack)	\$ 151	\$ 162

See accessory shelf pictures on page 63.

STOCK ITEMS ARE LISTED IN RED

PERLICK ACCESSORIES

Accessories for all 24" Units

MODEL	DESCRIPTION	UMRP	UMRP
67440L	Left Hinge Locking Kit for LH Panel Ready Models	\$ 147	\$ 158
67440R	Right Hinge Locking Kit for RH and Drawer Panel Ready Models	\$ 147	\$ 158
RS-SK-24L	Stacking Kit for HP24, HC24 & HA24 Models, LH	\$ 359	\$ 385
RS-SK-24R	Stacking Kit for HP24, HC24 & HA24 Models, RH	\$ 359	\$ 385
66736	Caster Kit for HP24, HC24 & HA24 Models	\$ 448	\$ 480
67439L	Left Hinge Kit	\$ 181	\$ 194
67439R	Right Hinge Kit	\$ 181	\$ 194
RS-24-24R	Refrigerator/Freezer Shelf for HP24, HC24 & HA24 Models	\$ 181	\$ 194
RS-24-24W	Wine Shelf for HP24, HC24 & HA24 Models	\$ 181	\$ 194
RS-24-24WD	Dual Zone Wine Shelf for HP24D Models	\$ 181	\$ 194
RS-24-24D	Divider Shelf for HP24, HC24 & HA24 Models	\$ 242	\$ 259
RS-24-24M	Martini Rack for HP24, HC24 & HA24 Models	\$ 363	\$ 389
67115-24	Wine Shelf Wood Faces for HP24, HH24, HC24 & HA24 Models (7 Pack)	\$ 151	\$ 162
65629	Wine Bottle Display Rack	\$ 121	\$ 130
67964	Stainless Steel Drawer Dividers for HP24 & HC24 Drawer Models (Set of 3)	\$ 121	\$ 130
RK24DP	Drawer Pan Organizer for HP24, HC24 & HA24 Drawer Models	\$ 302	\$ 324

Accessories - 15" and 24" Beverage Dispensers

MODEL	DESCRIPTION	UMRP	MSRP
66585-2	Dual Faucet Tapping Kit (if sold separately)	\$ 1,905	\$ 2,039
63797	Beverage Dispenser Cleaning Kit (Includes Pump, Sanitizer & Tools to Clean Lines)	\$ 229	\$ 246
BLC4	Beverage Dispenser Sanitizer Bottle, 4 oz.	\$ 9.60	\$ 11
BLC32	Beverage Dispenser Sanitizer Bottle, 32 oz.	\$ 31.80	\$ 35
40030SSLS	Lo-Boy "S" Series Keg Coupler	\$ 220	\$ 236
308-40C	Faucet Lock for 630SS	\$ 119	\$ 128
630SS	Forward Sealing Faucet, SS	\$ 114	\$ 122
67141-1	Perlick Faucet Handle	\$ 110	\$ 118
67782	Drip Pan for Beer Dispensers	\$ 207	\$ 222
RS-CDK	Iced Coffee Dispensing Kit	\$ 675	\$ 723
RS-25KG	2.5 Gallon Coffe Keg	\$ 406	\$ 435
RS-NCY	Nitrogen Cylinder	\$ 204	\$ 219
RS-NDK	Nitrogen Dispensing Kit for Beverage Dispenser Models	\$ 2,608	\$ 2,791

*Used by brands such as Heineken, Newcastle, Stella Artois, Amstel, Bemish, Murphy's, Strongbow and Hofbrau.

DOOR STYLES

Perlick doors and drawers are manufactured to readily accept a fully-integrated wood panel, which means you can seamlessly blend any Perlick units into your new or existing cabinetry. Wood panels are built to Perlick specifications by your cabinet-maker, which means you are in full control of the wood, design and finish of your doors and drawers.

Perlick is the only manufacturer to feature a convertible door design, which means any of the doors can be converted to wood overlay from stainless steel. As the look of your space changes, so can the look of your Perlick. Wood overlays are simple to install, which means you can change out panels to match new cabinetry or decor. Visit perlick.com to download wood overlay templates and create your custom look today.

AVAILABLE DOOR STYLES



1 - SS Solid Door

2 - F.I. Solid Door

3 - SS Glass Door

4 - F.I. Glass Door

5 - SS Drawer

6 - F.I. Drawer

KEG LAYOUTS

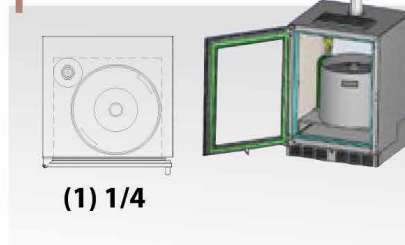
Below you'll find keg configurations for Perlick 15" and 24" Beverage Dispensers. Note that 15" units can accommodate one (1) tap and 24" units can accommodate up to two (2) taps.

15"



(1) 1/6

24"

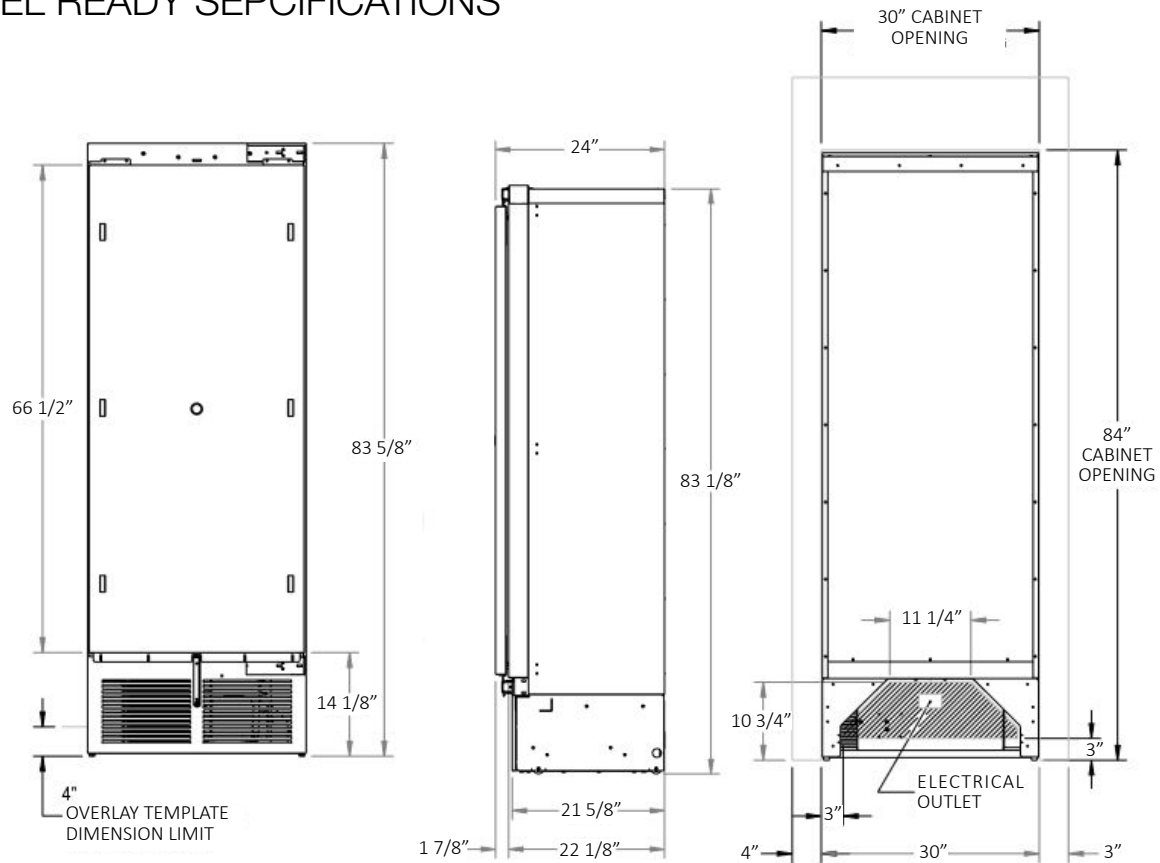


(1) 1/4



(2) 1/6

30" REFRIGERATOR COLUMN PANEL READY SPECIFICATIONS



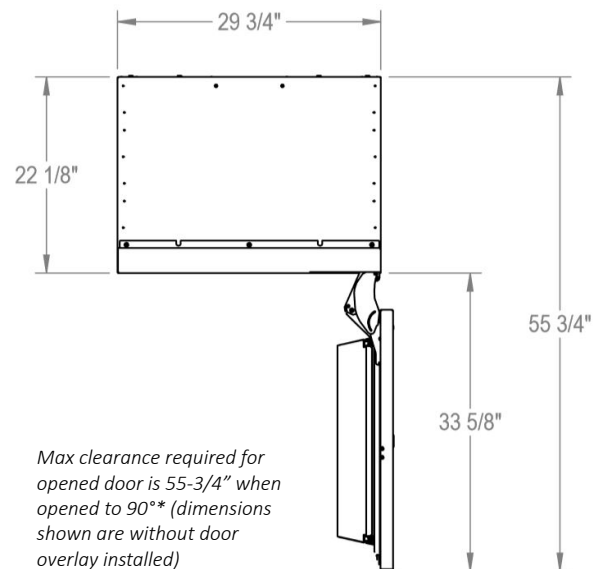
PRODUCT SPECIFICATIONS

Appliance Dimensions	Exterior Width	29-3/4"
	Exterior Depth	24"*
	Exterior Height	83-11/16"
Required Cutout Dimensions	Cutout Width	30"
	Cutout Depth	25"
	Cutout Height	84"
Depth with Door Open	55-3/4" (less door overlay installed)	
Product Weight	560 lbs	
Capacity	16.6 cu. ft.	
Electrical Requirements	Electrical Supply	115V, 60 Hz., 1 Phase, 2.3 amps
	Electrical Service	15 amp dedicated circuit
	Power Cord/ Receptacle	NEMA 5-15 plug, 5' /3 prong grounding-type

*Less panel. With typical 3/4" overlay panel installed, depth becomes 24-3/4"

AVAILABLE MODELS

CR30R-1-2L	Refrigerator, solid overlay ready, hinged left
CR30R-1-2R	Refrigerator, solid overlay ready, hinged right

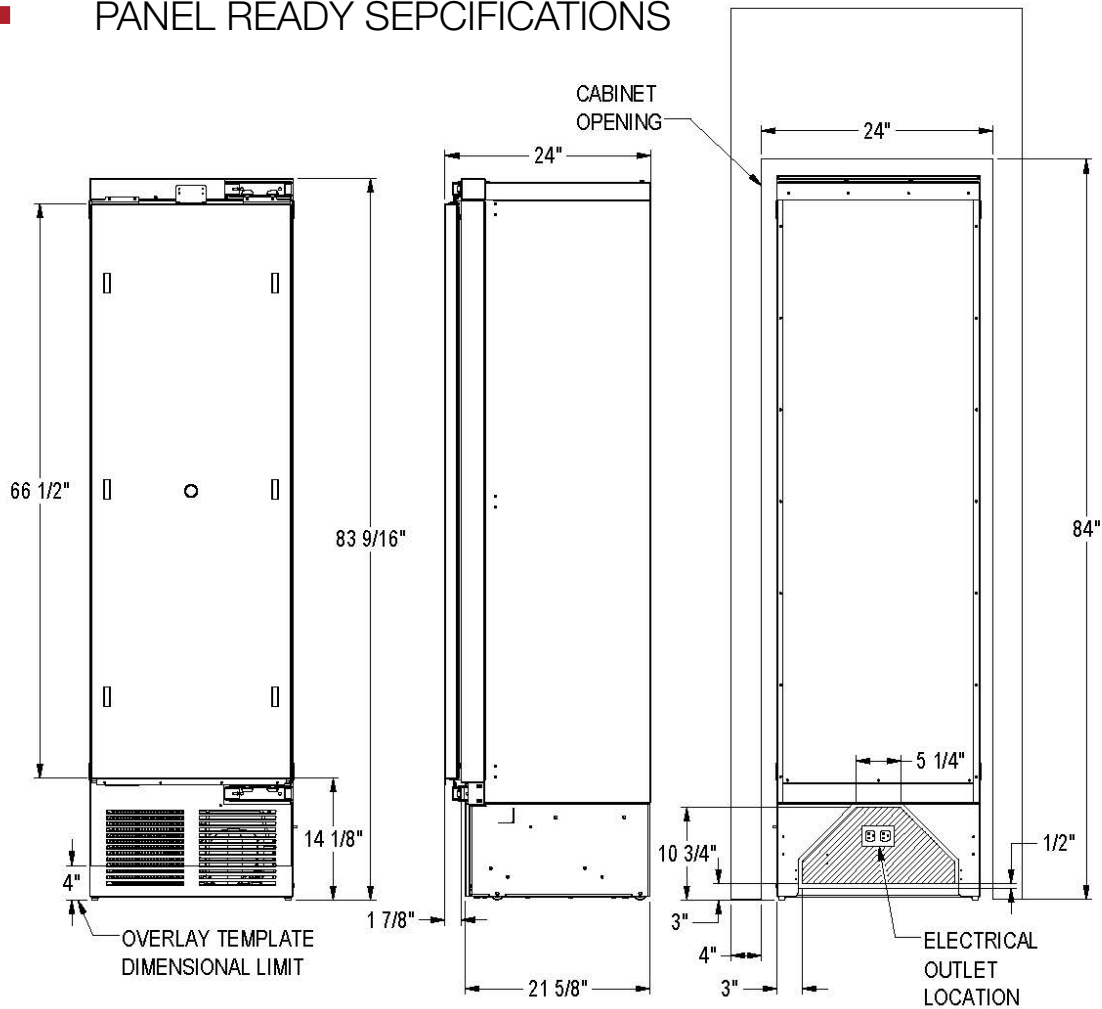


(please note that door opens to 115°)

*90° achieved when included hinge stop pin is installed. Pin must be installed prior to full integration



24" REFRIGERATOR COLUMN PANEL READY SPECIFICATIONS

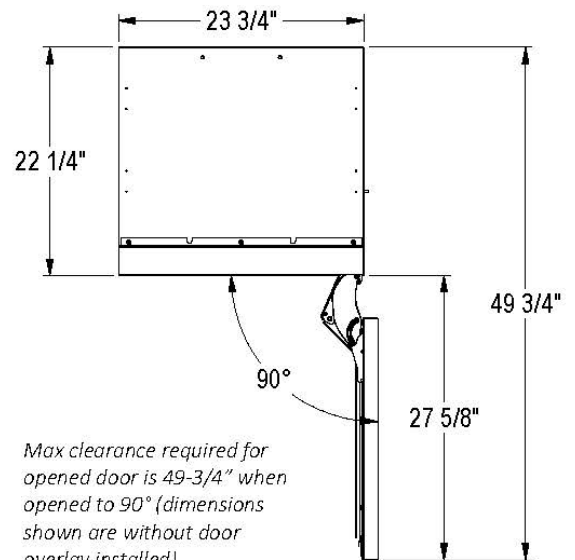


PRODUCT SPECIFICATIONS

Appliance Dimensions	Exterior Width	23-3/4"
	Exterior Depth	24"*
	Exterior Height	83-11/16"
Required Cutout Dimensions	Cutout Width	24"
	Cutout Depth	25"
	Cutout Height	84"
Depth with Door Open	49-3/4" (less door overlay installed)	
Product Weight	486 lbs	
Capacity	12.6 cu. ft.	

AVAILABLE MODELS

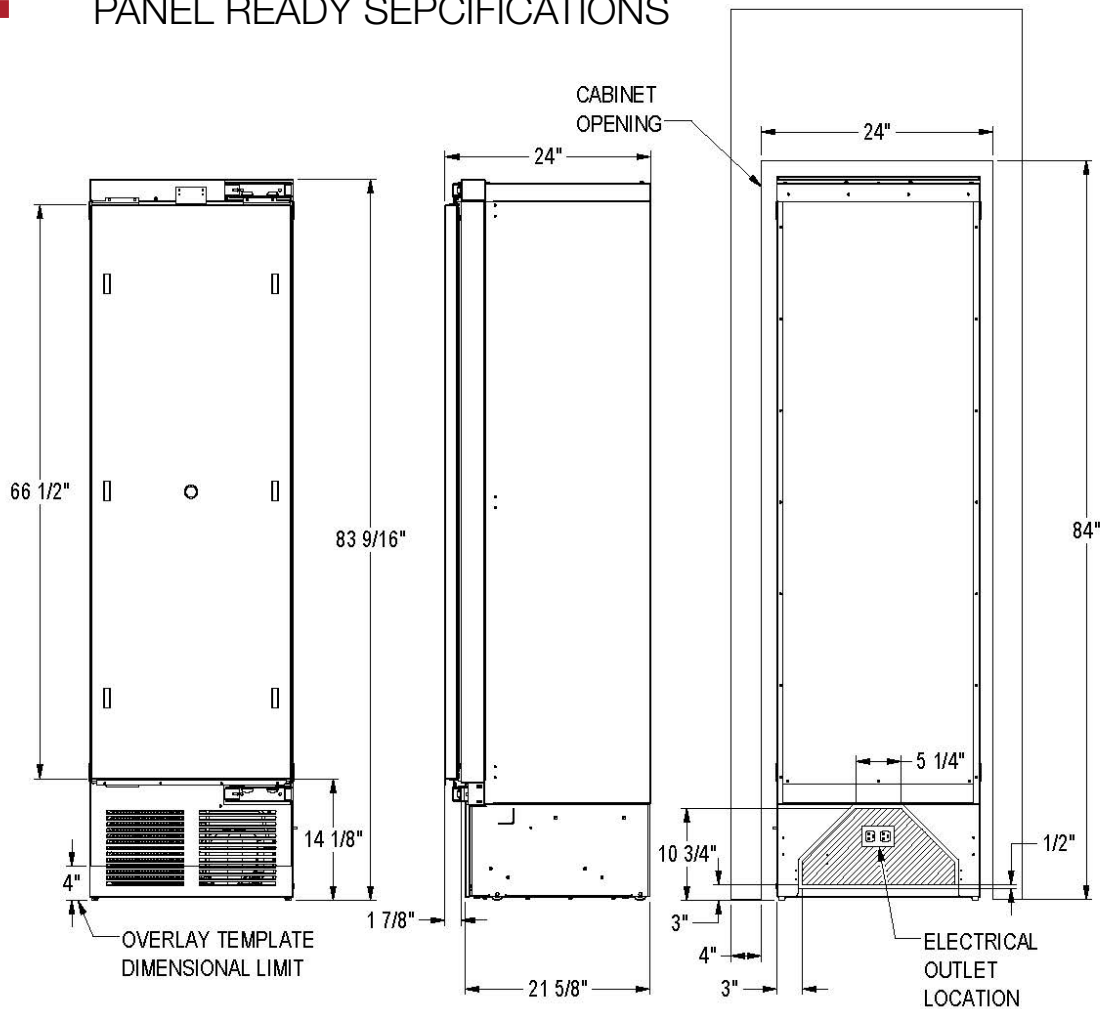
CR24R-1-2L	Refrigerator, solid overlay ready, hinged left
CR24R-1-2R	Refrigerator, solid overlay ready, hinged right



Max clearance required for opened door is 49-3/4" when opened to 90° (dimensions shown are without door overlay installed)

(please note that door opens to 105°)

24" FREEZER COLUMN PANEL READY SEPCIFICATIONS

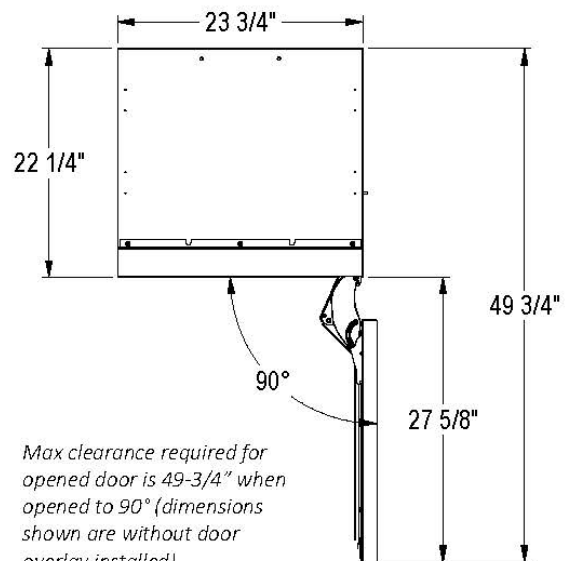


PRODUCT SPECIFICATIONS

Appliance Dimensions	Exterior Width	23-3/4"
	Exterior Depth	24"*
	Exterior Height	83-11/16"
Required Cutout Dimensions	Cutout Width	24"
	Cutout Depth	25"
	Cutout Height	84"
Depth with Door Open	49-3/4" (less door overlay installed)	
Product Weight	448 lbs	
Capacity	12.6 cu. ft.	

AVAILABLE MODELS

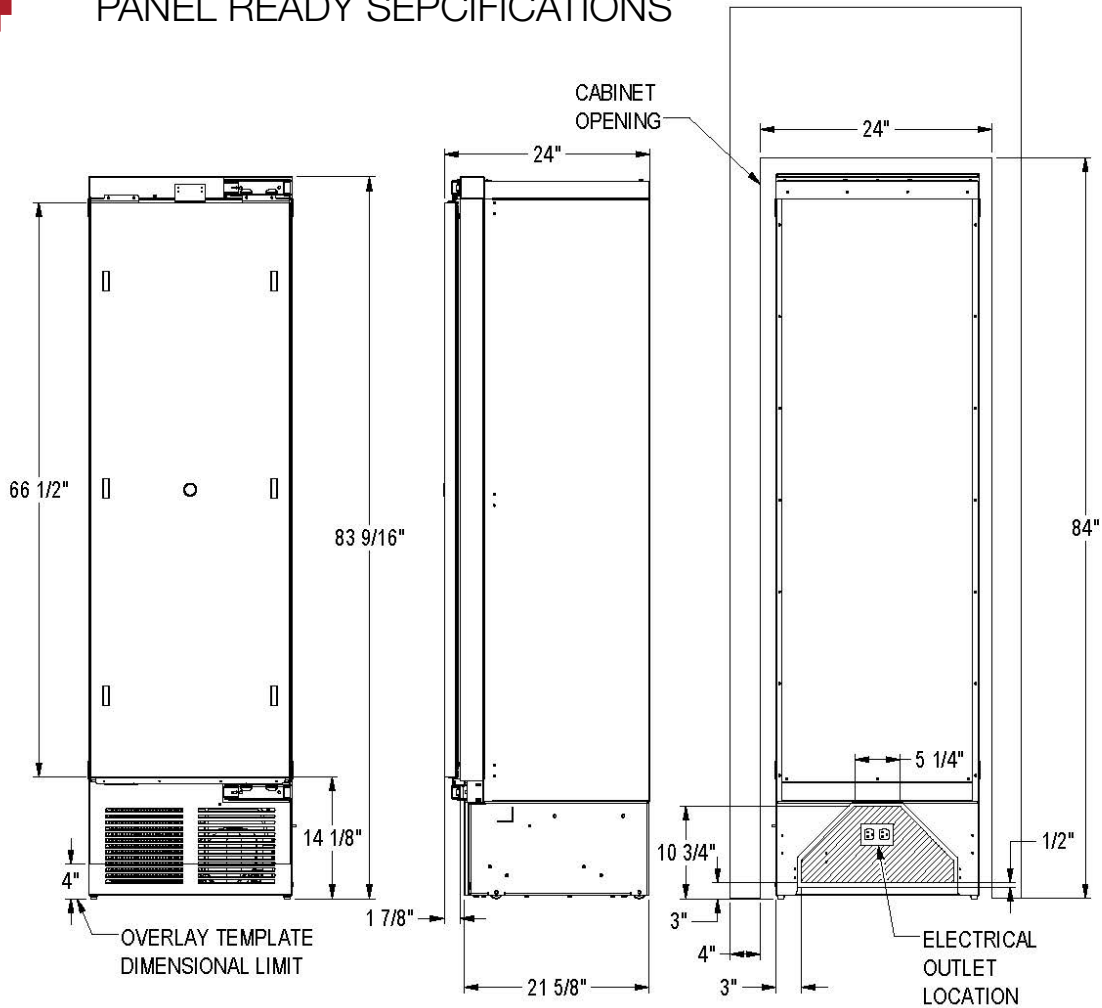
CR24F-1-2L	Freezer, solid overlay ready, hinged left
CR24F-1-2R	Freezer, solid overlay ready, hinged right



Max clearance required for opened door is 49-3/4" when opened to 90° (dimensions shown are without door overlay installed)

(please note that door opens to 105°)

24" SINGLE-ZONE WINE COLUMN PANEL READY SPECIFICATIONS

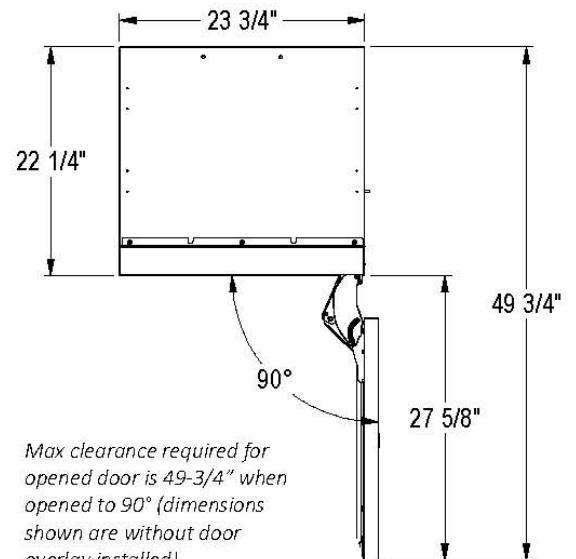


PRODUCT SPECIFICATIONS

Appliance Dimensions	Exterior Width	23-3/4"
	Exterior Depth	24"*
	Exterior Height	83-11/16"
Required Cutout Dimensions	Cutout Width	24"
	Cutout Depth	25"
	Cutout Height	84"
Depth with Door Open	49-3/4" (less door overlay installed)	
Product Weight	534 lbs	
Capacity	12.6 cu. ft.	

AVAILABLE MODELS

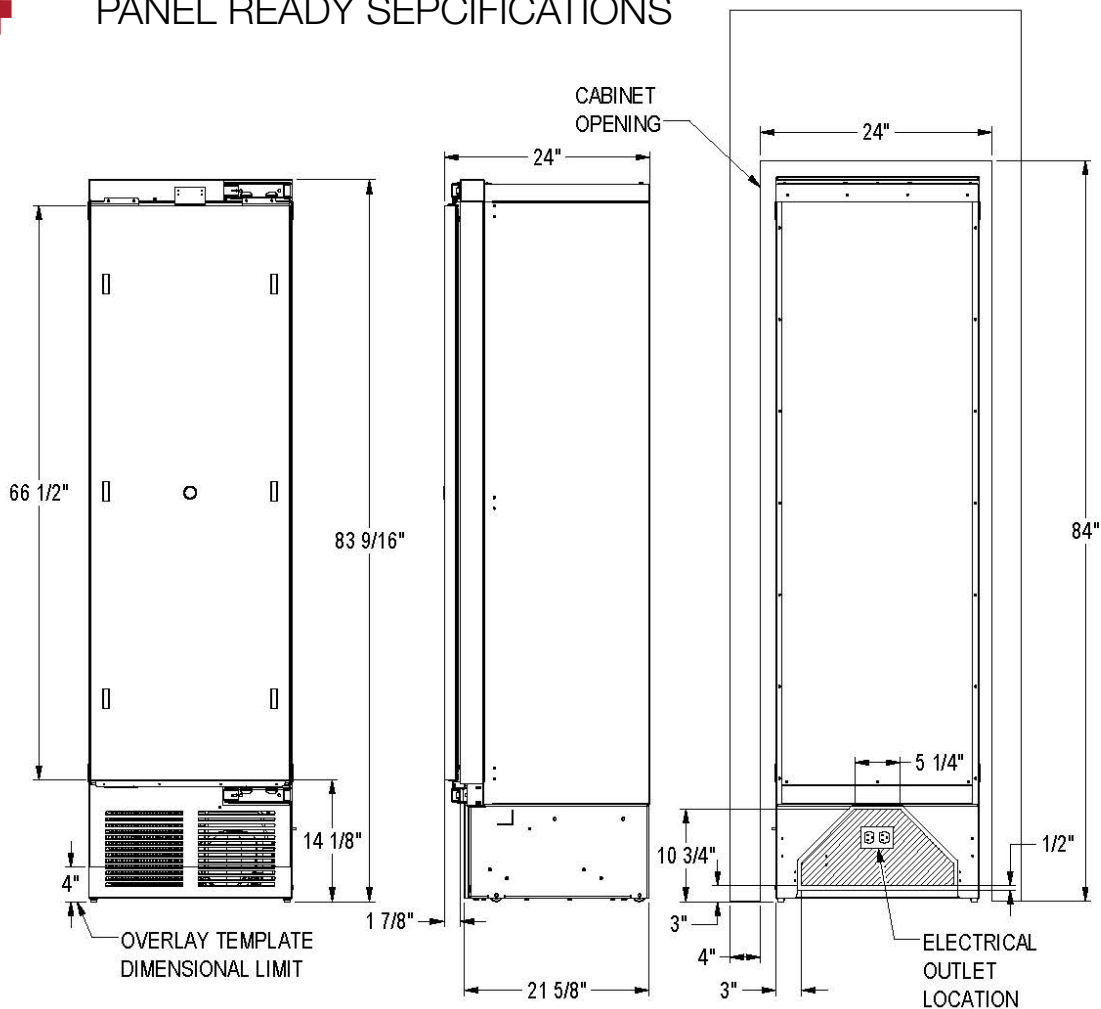
CR24W-1-4L	Single-zone wine, glass overlay ready, hinged left
CR24W-1-4R	Single-zone wine, glass overlay ready, hinged right



Max clearance required for opened door is 49-3/4" when opened to 90° (dimensions shown are without door overlay installed)

(please note that door opens to 105°)

24" DUAL-ZONE WINE COLUMN PANEL READY SPECIFICATIONS

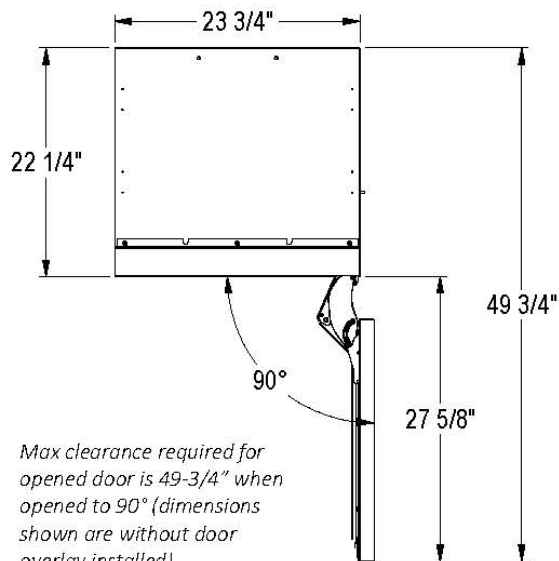


PRODUCT SPECIFICATIONS

Appliance Dimensions	Exterior Width	23-3/4"
	Exterior Depth	24"*
	Exterior Height	83-11/16"
Required Cutout Dimensions	Cutout Width	24"
	Cutout Depth	25"
	Cutout Height	84"
Depth with Door Open	49-3/4" (less door overlay installed)	
Product Weight	541 lbs	
Capacity	12.2 cu. ft.	

AVAILABLE MODELS

CR24D-1-4L	Dual-zone wine, glass overlay ready, hinged left
CR24D-1-4R	Dual-zone wine, glass overlay ready, hinged right



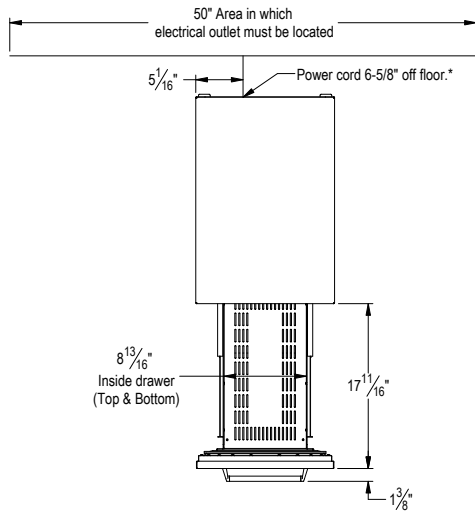
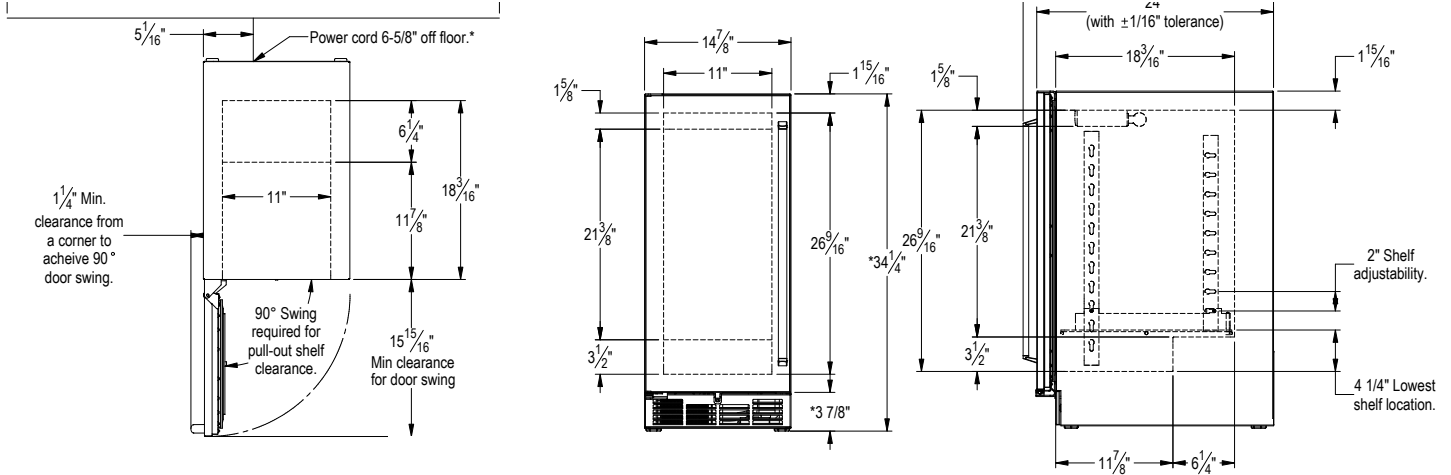
Max clearance required for opened door is 49-3/4" when opened to 90° (dimensions shown are without door overlay installed)

(please note that door opens to 105°)

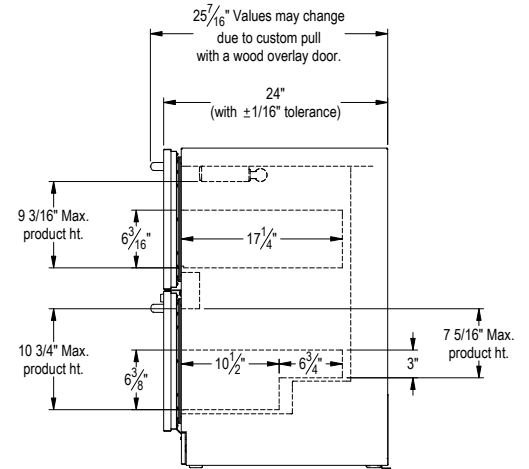
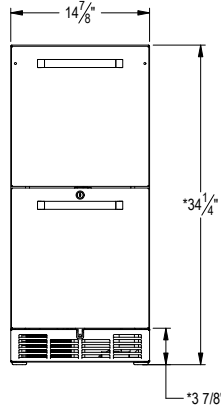


15"

SIGNATURE SERIES SPECIFICATIONS



Drawer Models

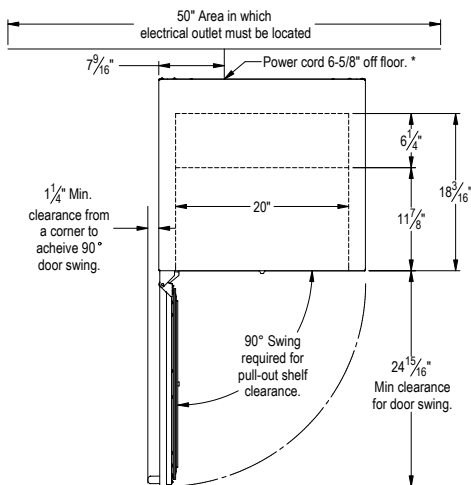


* -Leg leveler can add 3/4" to these dimensions when fully extended

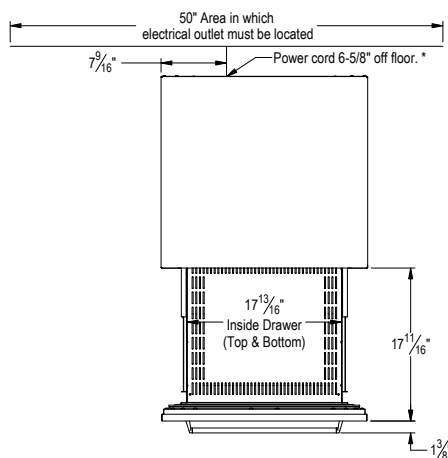
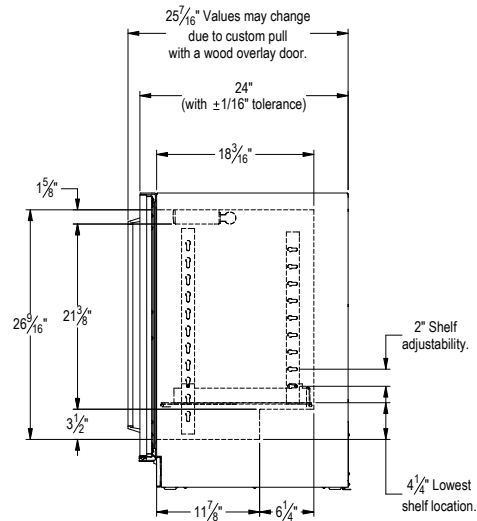
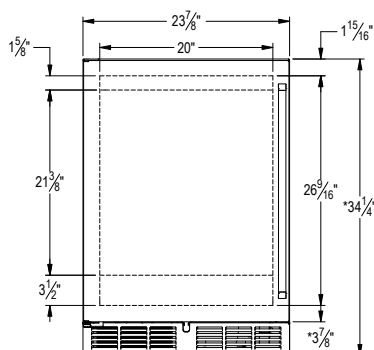
For complete specifications, including drawings of the 15" Beverage Dispenser, visit perlick.com.

Overall Width	14-7/8" (37.78 cm)
Overall Height	34-1/4" (86.96 cm)
Overall Depth	24" (60.96 cm)
Capacity	3.0 cu. ft.
Minimum Height Required	34-3/8" (87.31 cm)
Electrical	115V, 60Hz, 1 Phase AC, 2.3 amps
Plumbing	none required

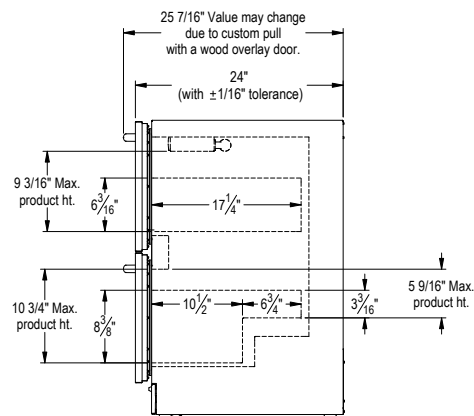
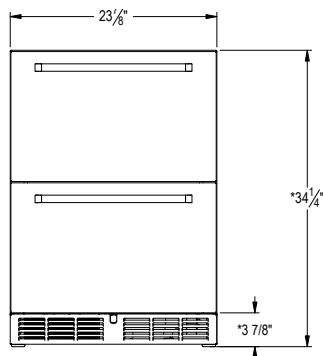
24" SIGNATURE SERIES SPECIFICATIONS



Door Models



Drawer Models



* -Leg leveler can add 3/4" to these dimensions when fully extended

For complete specifications, including drawings of the 24" Beverage Dispenser, visit perlick.com.

Overall Width 23-7/8" (60.64 cm)

Overall Height 34-1/4" (86.96 cm)

Overall Depth 24" (60.96 cm)

Capacity 5.2 cu. ft.

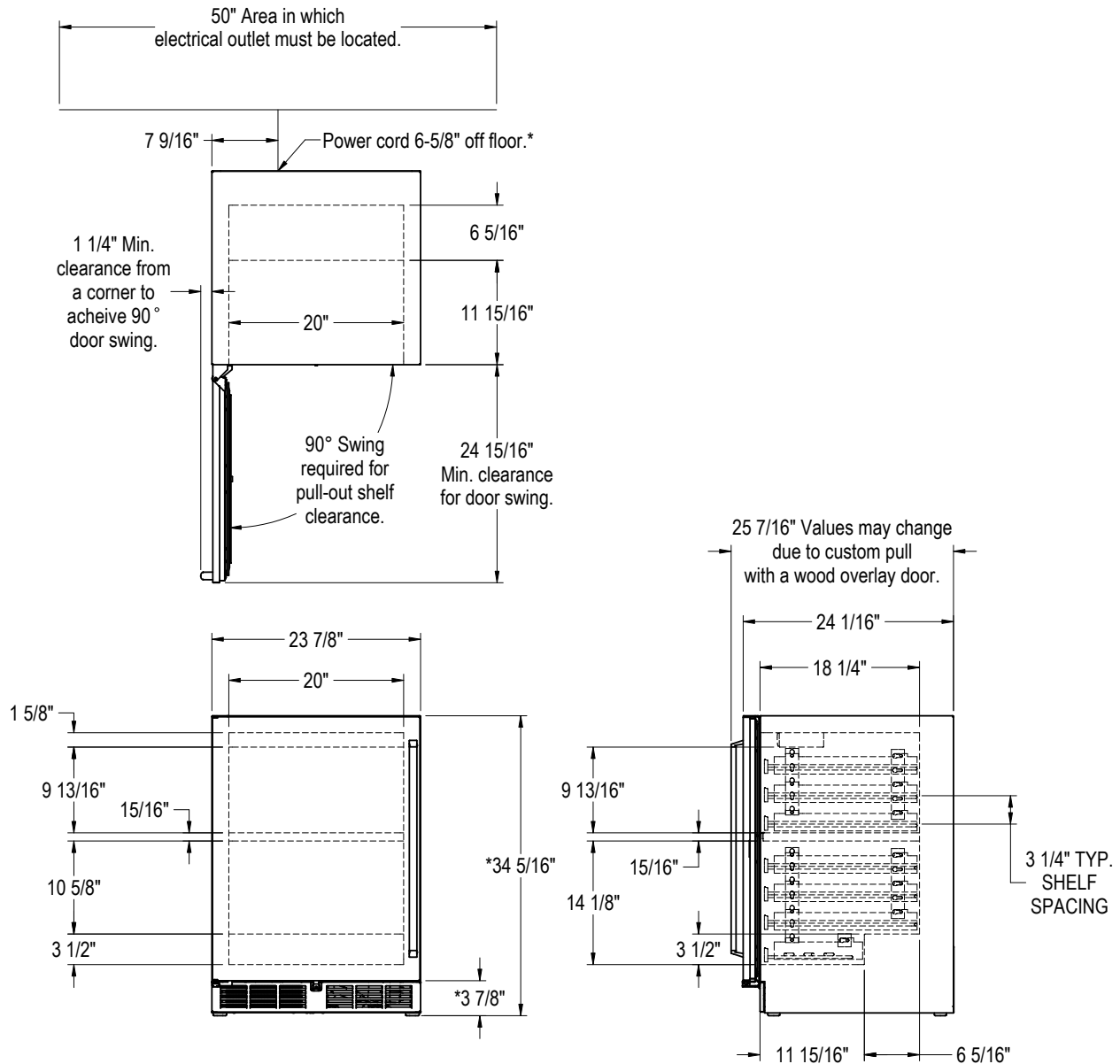
Minimum Height Required 34-3/8" (87.31 cm)

Electrical 115V, 60Hz, 1 Phase AC, 2.3 amps

Plumbing none required



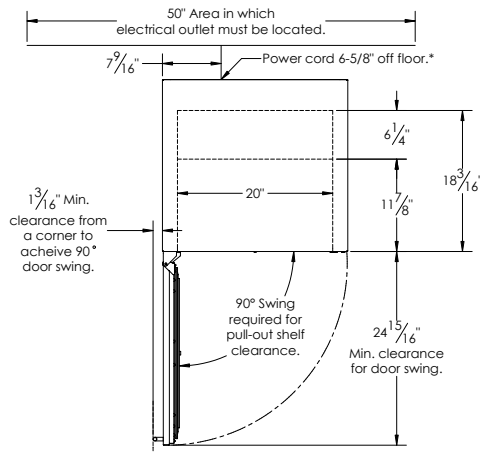
24" SIGNATURE SERIES DUAL ZONE WINE RESERVE SPECIFICATIONS



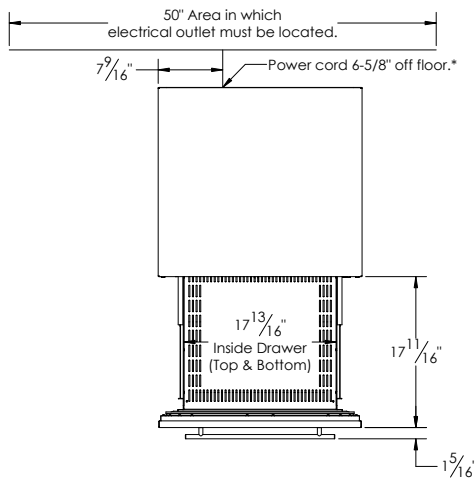
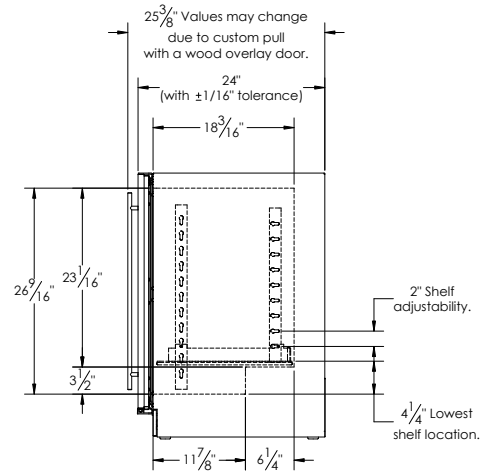
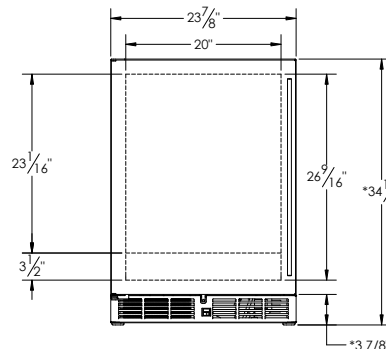
Overall Width	23-7/8" (60.64 cm)
Overall Height	34-1/4" (86.96 cm)
Overall Depth	24" (60.96 cm)
Capacity	5.0 cu. ft.
Minimum Height Required	34-3/8" (87.31 cm)
Electrical	115V, 60Hz, 1 Phase AC, 2.3 amps
Plumbing	none required



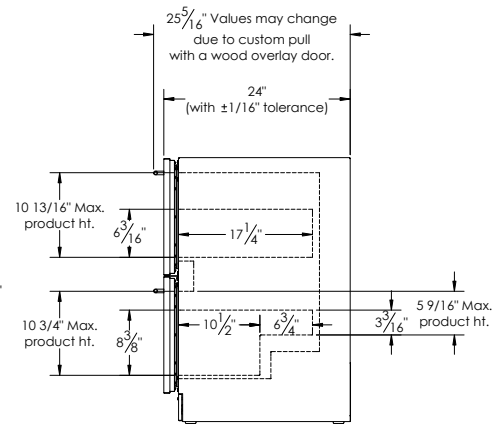
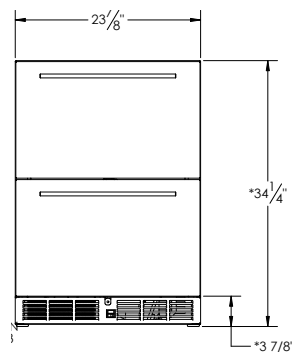
24" C-SERIES SPECIFICATIONS



Door Models



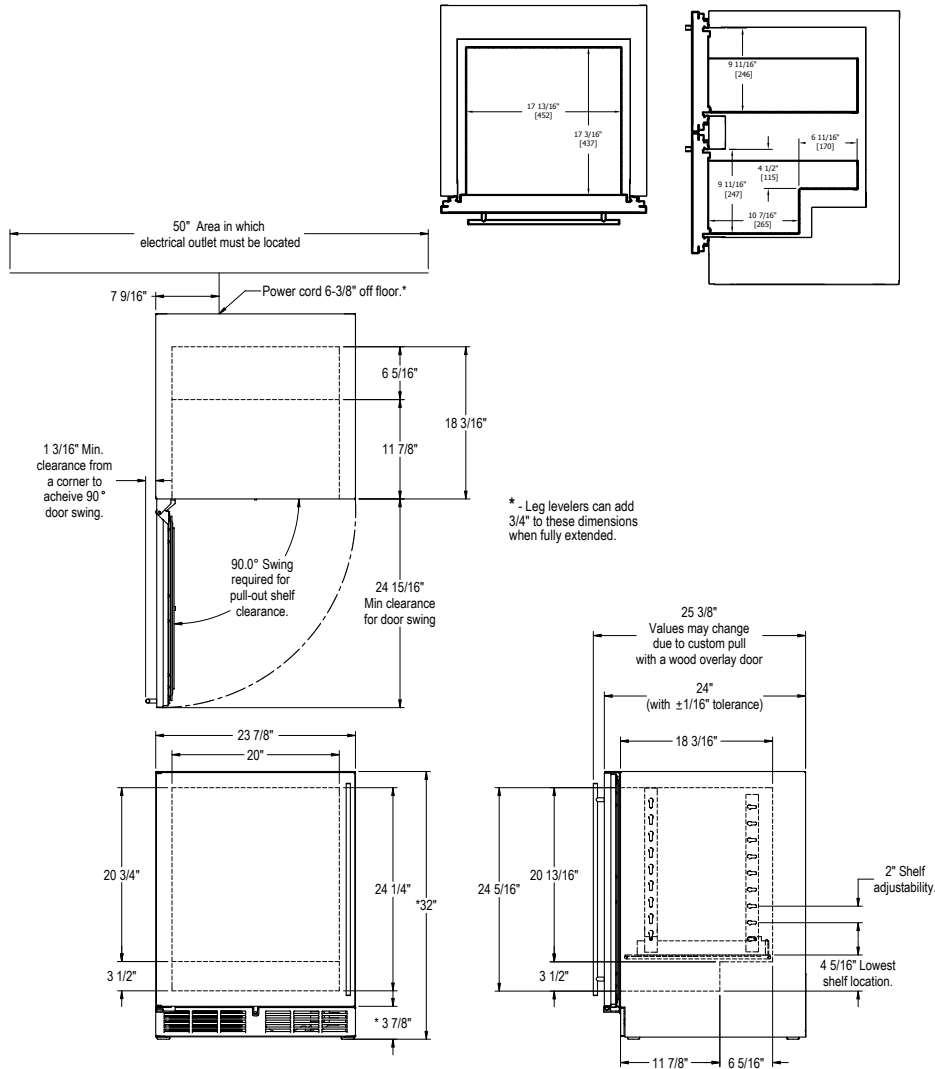
Drawer Models



Overall Width	23-7/8" (60.64 cm)
Overall Height	34-1/4" (86.96 cm)
Overall Depth	24" (60.96 cm)
Capacity	5.3 cu. ft.
Minimum Height Required	34-3/8" (87.31 cm)
Electrical	115V, 60Hz, 1 Phase AC, 2.3 amps
Plumbing	none required

24" ADA-COMPLIANT SERIES SPECIFICATIONS

Drawer Models



Overall Width 23-7/8" (60.64 cm)

Overall Height 32" (81.28 cm)

Overall Depth 24" (60.96 cm)

Capacity 4.8 cu. ft.

Minimum Height Required 32-1/8" (81.60 cm)

Electrical 115V, 60Hz, 1 Phase AC, 2.3 amps

Plumbing none required



FREQUENTLY ASKED QUESTIONS

VARIABLE SPEED COMPRESSOR:

Q: What is a variable speed compressor (variable capacity compressor or VCC)?

A: Located in the back of most refrigerators, the compressor is the heart of refrigeration. The standard compressor circulates cool air on a set cycle, refrigerating and preserving your food and drinks. When Perlick began specifying components for the luxury home product line, no compromises were made in the design of the refrigeration systems. Instead of a standard compressor, Perlick chose a compressor with variable speed technology - unlike all other compressors, the variable speed compressor cycles only when necessary to maintain the temperature of the products inside the cabinet. Perlick is the only company to use a variable speed compressor manufactured by the most technologically advanced manufacturer of compressors in the world.

To view a demonstration of a variable speed compressor (VCC) technology in action, go to:
<https://www.perlick.com/residential-products/service-support/variable-speed-compressor/>

Q: How does the variable speed compressor (variable capacity compressor or VCC) work?

A: Unlike standard compressors that run on a set cycle (either at full speed, around 3,500 RPM or completely off), the variable speed compressor operates at multiple speeds (1,500 RPM to 4,100 RPM) at different times depending on what is occurring in the cabinet. This saves energy and prolongs the life of the compressor. When placing a warm product into the cabinet, the compressor senses the change in temperature and immediately runs full speed (4,100 RPM) for rapid cool down. As the temperature of the cabinet drops, the variable speed compressor will adjust its speed and allow the rpm's to drop as well. Because the compressor can sense the temperature of the compartment, Perlick is able to maintain incredible control of the temperature inside the cabinet (freezers maintain +/- 5 degrees, refrigerators maintain +/- 3 degrees, and wine +/- 1 degree of set temperature). Thermal mass testing has proven that contents stored inside the compartment will not vary in temperature; therefore extending storage life of the contents.

Q: What are some unique features of the variable speed compressor (variable capacity compressor)?

- A:**
- The variable speed compressor is exclusive to Perlick - meaning that no other company uses such technologically advanced compressors for its undercounter refrigeration.
 - As a result of the variable speed compressor, Perlick is the world's first company to properly store food and beverages in glass door refrigerators.
 - Because Perlick's variable speed compressor does not function on a set cycle, the temperature inside the cabinet (and the temperature of the products stored) never fluctuates more than +/- two degrees of the set temperature.
 - Perlick's patent-pending convection cooling helps to evenly distribute cool air produced by the variable speed compressor, thus requiring only one compressor for all Perlick cabinets - this exclusive feature makes all Perlick cabinets more energy efficient than most companies.
 - While maintaining energy star ratings, Perlick's variable speed compressor generates 1,000 - 1985 BTU - substantially more than any competitor.

OUTDOOR FOOD STORAGE

Q: Are Perlick Outdoor products safe for food storage?

A: Yes, the refrigerator is rated for both food and beverage storage (only the refrigerator and freezer models).

BTU OUTPUT

Q: How does the BTU output of Perlick's undercounter refrigeration and beverage dispensing products compare to other companies' products?

A: As a result of Perlick's exclusive use of the variable speed compressor, along with patent pending convection cooling technology in every cabinet Perlick produces, Perlick is the only company in the industry with products that generate between 800-1000 BTU. (A BTU is a British Thermal Unit and is a measurement of a compressor's ability to cool a compartment). Perlick is also the only company in the industry to generate 800-1000 BTU while using the least amount of energy.

VINYL COATED FULL-EXTENSION SHELVING

Q: What are the benefits of Perlick's vinyl coated full-extension shelving?

A: Applying 100 years of experience in the commercial industry, Perlick has employed important features to its vinyl coated full-extension shelving creating the most user friendly shelving in the industry.

- Vinyl coated full-extension shelving is an industry exclusive, Perlick is the only company to offer innovative full-extension shelving that actually extends completely out of the refrigerator or wine cabinet.
- Guard rails are a part of the vinyl coated full-extension shelving, preventing products from dropping off of the back or off of the sides of the shelves.
- Each durable, commercial-grade quality, vinyl coated full-extension shelf can hold up to 75 pounds; each smooth gliding shelf holds up to seven (7) six-packs.
- The shelving is vinyl coated to prevent contents from shifting/sliding on the shelves (preventing spills in the refrigerator and no vibration in the wine cabinet).
- The convenient full-extension design allows the user to easily reach products stored in the back of the compartment for even greater convenience, the homeowner can also adjust the height of the shelves.
- Unlike other companies, Perlick's vinyl coated full-extension shelving functions with stainless steel ball bearings to maximize smoothness when the shelves are extended.

WINE STORAGE

Q: What are the benefits of Perlick's wine storage?

- A:**
- Perlick is the only company to use a variable speed compressor along with patent-pending convection cooling technology. As a result, when placing room temperature wine into the cabinet, the temperature inside the compartment never fluctuates more than +/- two degrees. This not only cools the wine placed into the cabinet quickly, but it also ensures that the temperatures of the other wines stored in the cabinet remain the same - this is crucial in ensuring longevity and proper storage of the wine.
 - Perlick wine storage also features vinyl-coated full extension shelving allowing for easy access to the wine while preventing vibration or movement of the wine. Again, ensuring longevity and proper storage of the wine.
 - As a result of the pure power Perlick's wine cabinets boast, 1,000 - 1,985 BTU, Perlick is the only company in the industry to allow for outdoor wine storage with a glass door.

COMMERCIAL-GRADE STAINLESS STEEL INTERIORS

Q: Why does Perlick use only commercial-grade stainless steel interiors in its luxury undercounter home product line?

A: Perlick, unlike any other company, uses only commercial-grade stainless steel for the interiors of its cabinets — another exclusive feature creating the most attractive and functional undercounter refrigeration in the industry.

- Perlick is the only company to offer commercial-grade stainless steel interiors as a standard feature in all of its undercounter products, so Perlick's commercial-grade stainless steel interiors are another industry exclusive.
- The commercial-grade stainless steel interiors are designed with professional use in mind; thus, creating undercounter cabinets with the same quality as those found in the most respected bars, resorts and restaurants in the world.
- Perlick's commercial-grade stainless steel interiors are not only aesthetically pleasing, but help the cabinet function as well. Stainless steel is a natural energy conductor, so it helps maintain consistent temperatures within each compartment of the cabinets while conserving energy.
- Perlick's commercial-grade stainless steel interiors feature superior craftsmanship, are extremely durable, and they are very easy to clean - keeping the cabinets looking like new!



PERLICK LIMITED WARRANTY

TWO YEAR PARTS & LABOR WARRANTY*

For All Residential Ice Makers (H50 & H80 Series). PERLICK warrants to the original purchaser of every new PERLICK refrigerated unit, the cabinet and all parts thereof, to be free from defects in material or workmanship under normal and proper use and maintenance as specified by PERLICK and upon proper installation and start-up in accordance with the Use & Care Guide supplied with each PERLICK unit. PERLICK'S obligation under this warranty is limited to a period of two (2) years from the date of original installation or twenty seven (27) months after shipment date from PERLICK, whichever occurs first.** The optional Perlick drain pump carries a one year parts and labor warranty. The warranty period begins on the installation date of the drain pump. For warranty validation, be sure to properly register your icemaker at www.Perlick.com.

SIX-YEAR PARTS & LABOR WARRANTY*

For All Generation 4 Hydro Carbon Undercounter Refrigeration, purchased 1/4/2021 or later. PERLICK warrants to the original purchaser of every new PERLICK refrigerated unit, the cabinet and all parts thereof, to be free from defects in material or workmanship under normal and proper use and maintenance as specified by PERLICK and upon proper installation and start-up in accordance with the Use & Care Guide supplied with each PERLICK unit. PERLICK'S obligation under this warranty is limited to a period of six (6) years from the date of original installation or seventy-five (75) months after shipment date from PERLICK, whichever occurs first.

TWELVE YEAR SEALED SYSTEM WARRANTY - PARTS ONLY*

For Upright Column Refrigeration (CR Series), Perlick warrants its hermetically sealed system: compressor, condenser, drier, connecting tubing, evaporator, and hot gas bypass valve; to be free from defects in both material and workmanship under normal and proper use and maintenance service for a period of twelve (12) years from the date of original installation but not to exceed twelve (12) years and three (3) months after shipment from the manufacturer, whichever occurs first.

TERMS APPLICABLE TO EACH WARRANTY

Any part covered under the above warranties that is determined by PERLICK to have been defective within the time frame is limited to the repair or replacement, including labor charges, of defective parts or assemblies. The labor warranty shall include standard straight time labor charges only and reasonable travel time, as determined by PERLICK.

WARRANTY CLAIMS

All claims for labor or parts must be made directly through PERLICK. All claims should include: model number and serial number of cabinet, proof of purchase, and date of installation. In case of warranted compressor, the compressor model tag must be returned to PERLICK along with the above listed information.

WHAT IS NOT COVERED BY THIS WARRANTY

PERLICK'S Sole obligation under this warranty is limited to either repair or replacement of parts, subject to the additional limitations below. This warranty neither assumes nor authorizes any person to assume obligations other than those expressly covered by this warranty. No consequential damages. PERLICK is not responsible for economic loss, profit loss; or special, indirect or consequential damages, including without limitation, losses or damages arising from food or product spoilage claims whether or not on account or refrigeration failure.

THE REMEDIES DESCRIBED ABOVE FOR EACH WARRANTY ARE THE ONLY ONES THAT PERLICK WILL PROVIDE, EITHER UNDER THIS WARRANTY OR UNDER ANY WARRANTY ARISING BY OPERATION OF LAW. PERLICK WILL NOT BE RESPONSIBLE FOR ANY CONSEQUENTIAL OR INCIDENTAL DAMAGES ARISING FROM THE BREACH OF THIS WARRANTY OR ANY OTHER WARRANTY, WHETHER EXPRESS, IMPLIED OR STATUTORY

Some states do not allow the exclusion or limitation of incidental or consequential damages, so the above limitation or exclusion may not apply to you. This warranty gives you specific legal rights and you may also have other legal rights that vary from state to state. To receive parts and/or service and the name of PERLICK factory certified service nearest you, contact Perlick's Customer Service Department by writing to it at Perlick Corporation, Attn: Customer Service Department, 8300 West Good Hope Road, Milwaukee, Wisconsin 53223; or by calling Perlick's Customer Service Department at 800-558-5592; or by e-mailing Perlick's Customer Service Department at warrantyinvoice@perlick.com. In addition, you can notify Perlick of a warranty claim by submitting the form on the Perlick website at www.perlick.com

All service provided by Perlick under this Warranty must be performed by Perlick's authorized service representatives, unless otherwise specified by Perlick in writing. Service will be provided during normal business hours.

*Stainless steel (doors, panels, handles, product frames and interior surfaces) are covered by a limited 60-day parts and labor warranty for cosmetic defects.

** Floor display models sold within 3 years of being put on the floor will have the same three (3) year period commencing on the date of purchase by the original retail purchaser. For Residential Ice Makers (H50 & H80 Series) sold more than three years but less than six years from being put on the floor a one (1) year period commencing on the date of purchase by the original retail purchaser applies. A floor model sold more than three (3) years after the original purchase date will carry a 90-day warranty commencing on the date of purchase from the original retailer. For all floor models sold six (6) years or more beyond the original purchase date will not carry any warranty and is sold on an "as is" basis.



PINNACLE EXPRESS, INC. TERMS AND CONDITIONS OF SALE

Orders: All orders and any subsequent change orders must be submitted in writing and delivered to Pinnacle Express, Inc. by mail, fax or e-mail. No telephone orders will be accepted. Special Order items are Non-Cancellable.

Prices: All prices are subject to change without notice and are exclusive of any sales or use taxes, shipping, delivery, special packaging, or handling charges that may apply to each customer or to each order.

Minimum Advertised Pricing: All sales are subject to Pinnacle Express, Inc. or Manufacturer minimum advertised prices. Failure to comply with minimum advertised prices will result in cancellation of any agreement and violators will not be entitled to purchase further products.

Minimum Sale Price: All sales are subject to Pinnacle Express, Inc. or Manufacturer minimum sale prices. Failure to comply with minimum sale prices will result in cancellation of any agreement and violators will not be entitled to purchase further products.

Freight and Handling: Pinnacle Express, Inc. reserves the right to ship products by its choice of carrier. All shipments are F.O.B. from place of shipment, and risk of loss shall pass to the Buyer upon delivery to the carrier at the point of shipment. Additional charges may apply for special handling and packaging.

Deliveries: Pinnacle Express, Inc. shall not be liable for failure to deliver or for delays in delivery or performance due to: (1) causes beyond its reasonable control; (2) acts of God, acts of Buyer, acts of civil or military authority, governmental allocations or controls, fires, strikes or other labor difficulties, riots or other civil disturbances, delays in its usual source of supply, delays in transportation; (3) any other commercial impracticability. In the event of such delay, the date of delivery or performance shall be extended for a period equal to the time lost by reason of the delay.

Claims: All claims for non-conforming delivery of Products must be made within thirty (30) days of receipt of shipment.

Damage or Loss: Any claim for damage or loss in shipment should be made to the carrier immediately by the customer. Products become the responsibility of the Buyer when accepted by the carrier in good condition from Pinnacle Express, Inc. and we are not able to process shipping damage claims.

Returns: Only Items marked in this Price List as "Stock Item" are subject to return. All other items are considered Special Order Items and are NOT RETURNABLE. No Products may be returned without a Pinnacle Express, Inc. Return Goods Authorization (RGA) Number issued prior to the return of Product. Any product returned without an RGA will be refused and returned to the sender. RGA's are valid for thirty (30) days only. All returns are subject to inspection before being approved for credit - products must be in salable condition to be considered for return or replacement. A 20% restocking charge will apply to all returns.

Payment: Unless otherwise noted, payment terms are Net Due on Receipt. Balances owed on invoices over 30 days old are subject to a 1.5% per month charge. Each shipment or delivery shall be deemed to have been sold under a separate and or independent contract and payment thereof shall be made in accordance with the terms of this agreement and of the invoice rendered by Pinnacle Express, Inc. Buyer agrees that title to the personal property described herein shall not vest in Buyer until paid in full. In the event of insolvency or the filing of bankruptcy by the Buyer, Buyer agrees to return all merchandise to Pinnacle Express, Inc.

Warranties: Products distributed by Pinnacle Express, Inc. are the products of reputable manufacturers sold under their respective brand or trade names. Pinnacle Express, Inc. shall use its best efforts to obtain from each manufacturer, in accordance with the manufacturer's warranty or customary practice, the repair or replacement of products that may prove defective in material or workmanship. The foregoing shall constitute the exclusive remedy of the Buyer and the sole obligation of Pinnacle Express, Inc. Except as to Title, THERE ARE NO WARRANTIES, EITHER WRITTEN, ORAL, IMPLIED, OR STATUTORY relating to the described products which shall extend beyond that described in this paragraph. NO WARRANTY OF MERCHANTABILITY OR OF FITNESS FOR PURPOSE SHALL APPLY.

Limitation of Liability: Pinnacle Express, Inc.'s liability on any claims for loss or damage arising out of this contract or from the performance or breach thereof or connected with the supplying of products hereunder, or its sale, resale, operation or use, whether based on warranty, contract, negligence or other grounds shall not exceed the price allowable for such products or parts thereof involved in the claim. Pinnacle Express, Inc. shall not, under any circumstances, be liable for any labor charges unless agreed upon in advance and in writing by Pinnacle Express, Inc. and the manufacturer of the products involved.

Pinnacle Express, Inc. shall not in any event be liable for special or consequential damages, including, but not limited to, loss of profits or revenue, loss of use of the product or any associated product, cost of capital, cost of substitute products, facilities or services, downtime costs, or claims of customers of the Buyer for such damages.

General: The possession of this Price List by anyone is not to be considered as an offer to sell any of the Products contained herein. This Price List supercedes all previous price lists or memorandums. Pinnacle Express, Inc.'s existing Trade Terms and Conditions remain in effect. The above Terms and Conditions shall be a part of all Orders accepted by Pinnacle Express, Inc. and shall supercede any conflicting provisions of our customer's purchase orders. These terms and conditions are subject to change without notice.



Pinnacle Express, Inc.

P.O. Box 1836 • Dundee, FL 33838

Phone: 800-292-8374

Fax: 800-574-8805

www.pinnacleexpress.com